



US00D836072S

(12) **United States Design Patent**
Gray

(10) **Patent No.:** **US D836,072 S**

(45) **Date of Patent:** **** Dec. 18, 2018**

(54) **CABLE CLIP**
(71) Applicant: **Grays Clip Limited**, Lisburn (GB)
(72) Inventor: **David Gray**, Lisburn (GB)

5,223,675 A * 6/1993 Taft H02G 3/26
174/159
6,378,813 B1 * 4/2002 Gretz F16L 3/04
248/68.1
6,530,803 B1 * 3/2003 Chen H01R 13/5837
174/159

(73) Assignee: **Grays Clip Limited**, Lisburn (GB)
(**) Term: **15 Years**

(Continued)
Primary Examiner — Derrick E Holland
Assistant Examiner — Jennifer O King
(74) *Attorney, Agent, or Firm* — Sullivan & Worcester
LLP

(21) Appl. No.: **29/579,031**
(22) Filed: **Sep. 27, 2016**

(30) **Foreign Application Priority Data**
Jul. 11, 2016 (EP) 003301456

(51) **LOC (11) Cl.** **13-03**
(52) **U.S. Cl.**
USPC **D13/155**

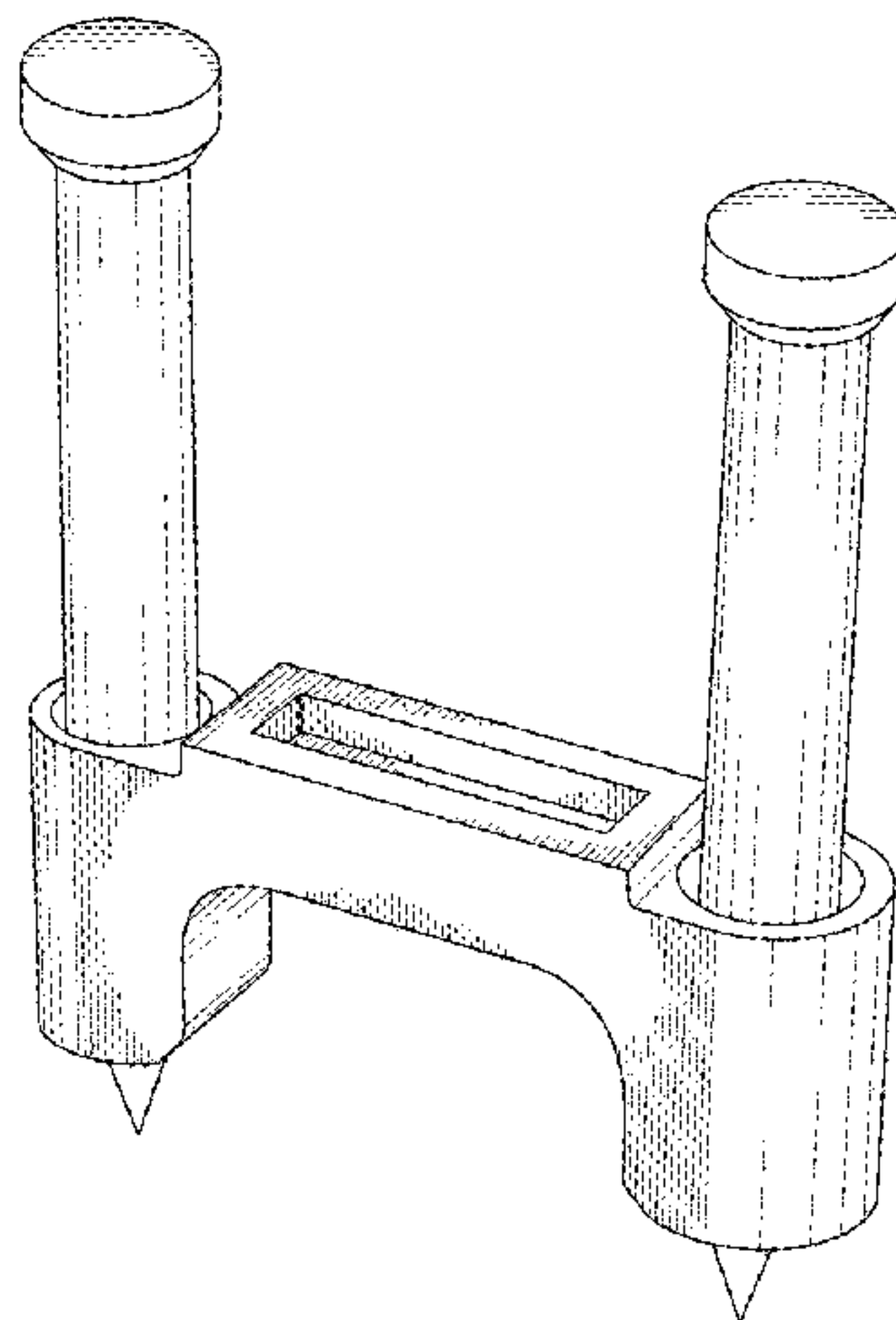
(58) **Field of Classification Search**
USPC D8/390, 356, 382, 394, 349, 354, 380;
D13/155, 123, 133, 153, 154, 156, 184,
D13/199, 151, 157; D23/259, 262
CPC .. H02G 3/02; H02G 3/04; H02G 3/06; H02G
3/14; H02G 3/0418; H02G 3/045; H02G
3/0608; H02G 3/32; F16L 3/06; F16L
3/04; H01R 13/625
See application file for complete search history.

(56) **References Cited**
U.S. PATENT DOCUMENTS
463,830 A * 11/1891 Gibson F16B 5/125
174/70 C
2,418,539 A * 4/1947 Anderson F16L 3/04
248/71
3,085,129 A * 4/1963 Anderson F16L 3/04
174/159
3,241,797 A * 3/1966 Anderson F16L 3/04
174/159
D261,356 S * 10/1981 Robinson D8/382
D269,064 S * 5/1983 Ericsson D8/356

(57) **CLAIM**
I claim the ornamental design for a cable clip, as shown and described.

DESCRIPTION
FIG. 1 is a front perspective view of a cable clip shown in an open position according to my new design.
FIG. 2 is a front view thereof, the front and rear view being identical;
FIG. 3 is a right side view thereof, the left side view being identical;
FIG. 4 is a top view thereof;
FIG. 5 is a bottom view thereof; and
FIG. 6 is a perspective view thereof, shown in use.
FIG. 7 is a front perspective view of the cable clip of FIG. 1 shown in a closed position;
FIG. 8 is a front view thereof, the front and rear view being identical;
FIG. 9 is a right side view thereof, the left side view being identical;
FIG. 10 is a bottom view thereof; and,
FIG. 11 is a perspective view thereof, shown in use.
The broken lines shown in FIGS. 5 and 10 show portions of the cable clip that form no part of the claimed design. The broken lines shown in FIGS. 6 and 11 show environmental structure and form no part of the claimed design.

1 Claim, 10 Drawing Sheets



(56)

References Cited

U.S. PATENT DOCUMENTS

6,889,944 B2 * 5/2005 Brandzel F16L 3/222
248/65
D526,278 S * 8/2006 Heary, Sr. D13/154
7,118,318 B2 * 10/2006 Ryals F16B 15/0015
411/475
7,617,883 B1 * 11/2009 Mangone, Jr. F16B 15/08
173/1
7,622,682 B2 * 11/2009 Malin H02G 3/32
174/135
7,806,387 B2 * 10/2010 Wenger B66D 3/04
248/68.1
D666,154 S * 8/2012 Kiely D13/155
9,453,591 B1 * 9/2016 Lin F16L 3/04
D801,164 S * 10/2017 Powers D8/394
2003/0089829 A1 * 5/2003 Brandzel F16L 3/222
248/68.1

* cited by examiner

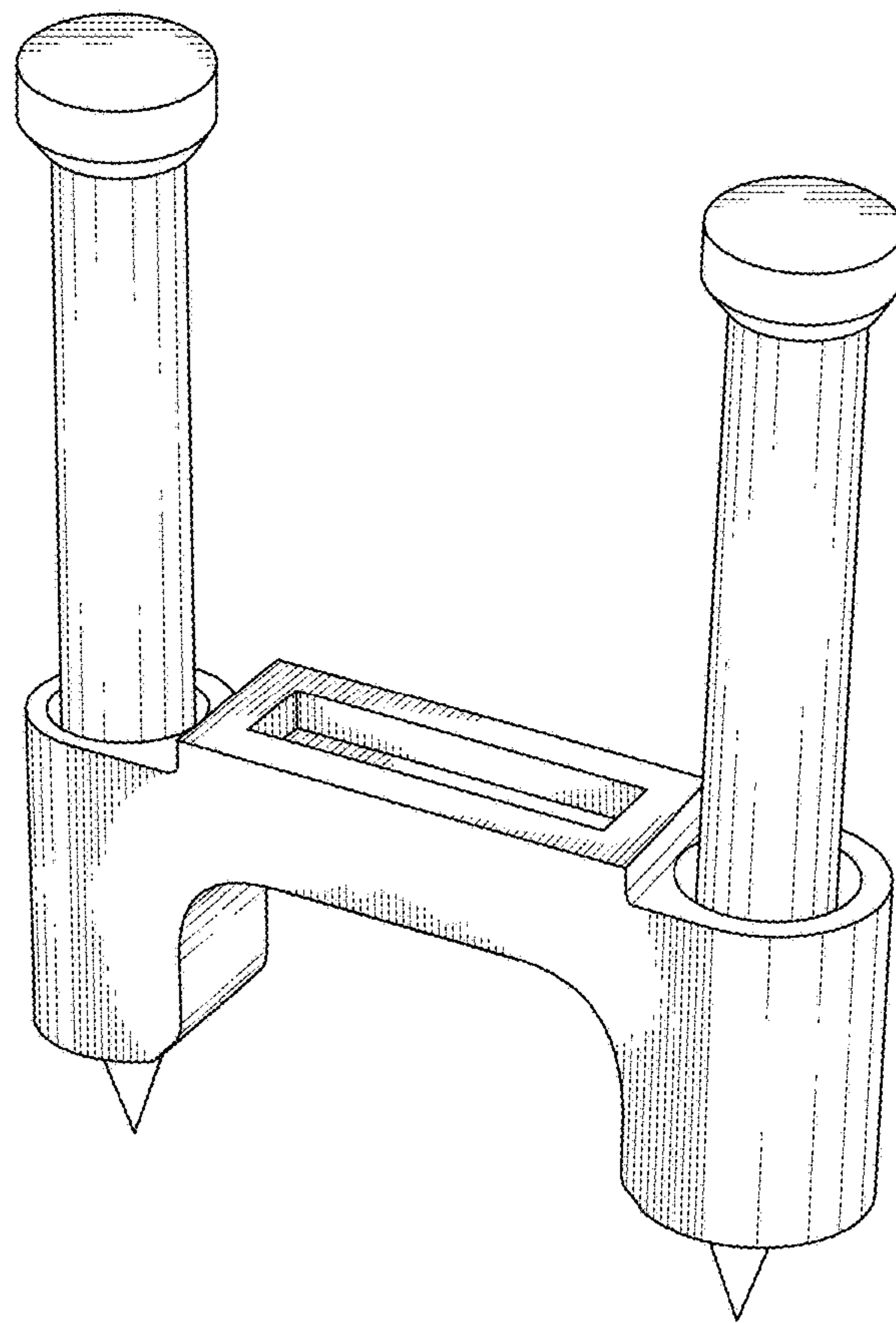


FIG. 1

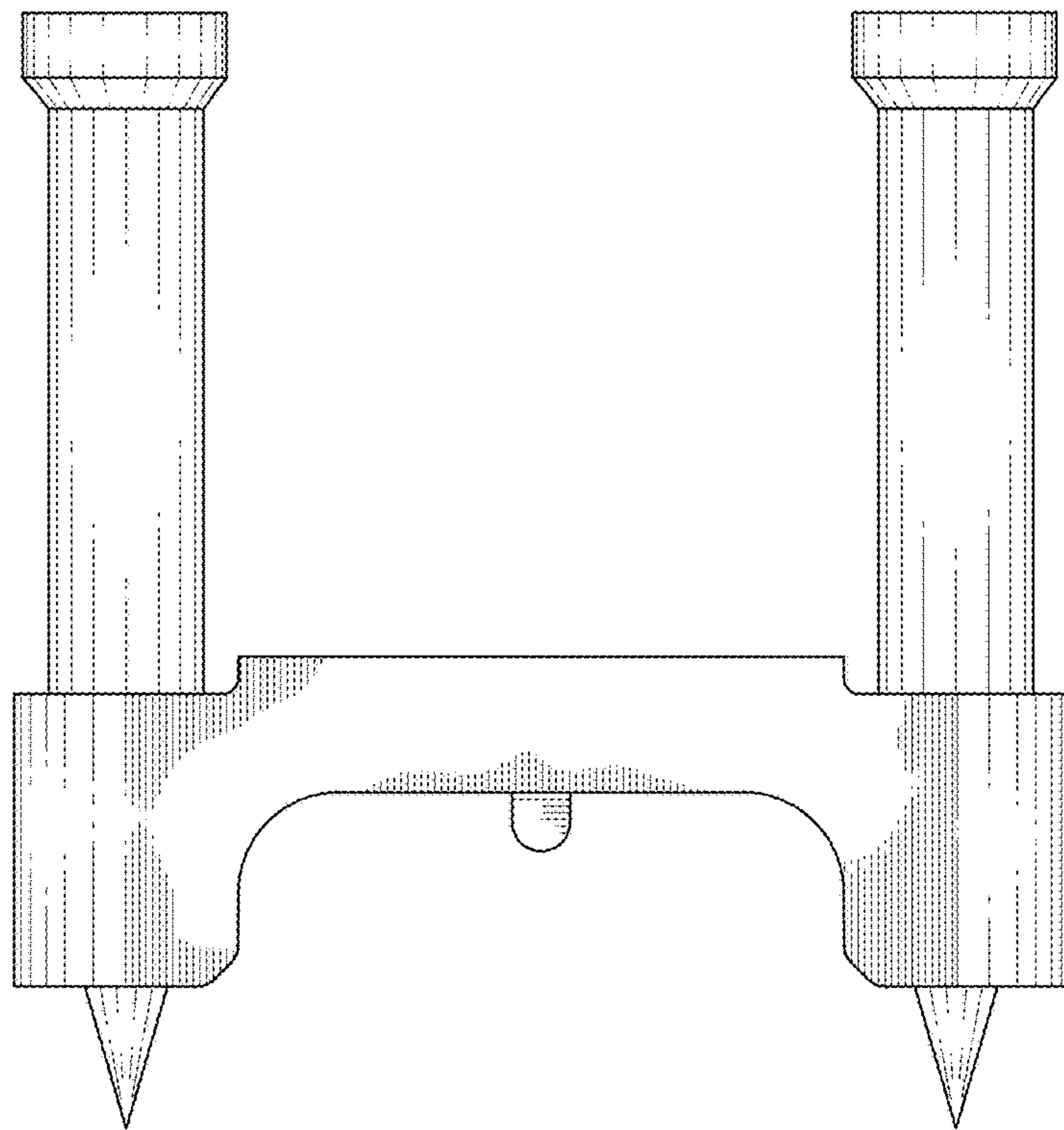


FIG. 2

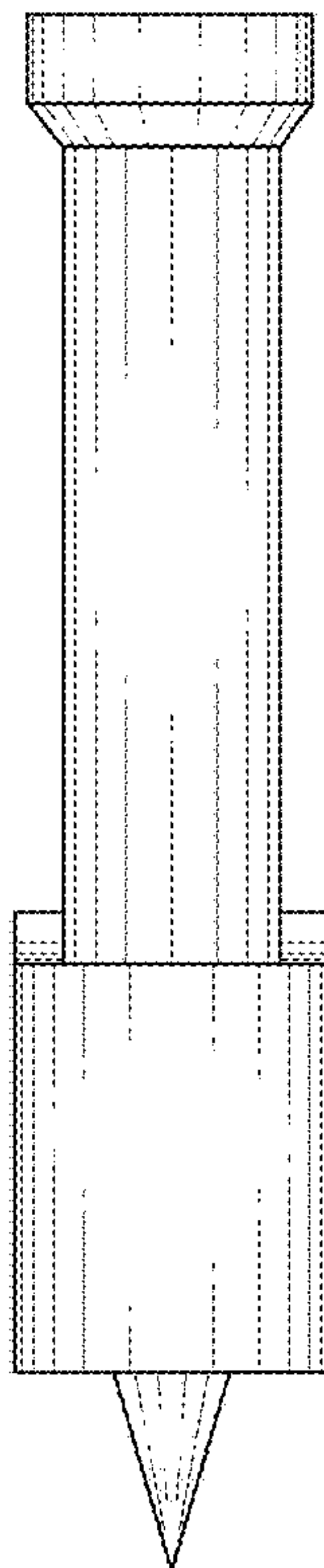


FIG. 3

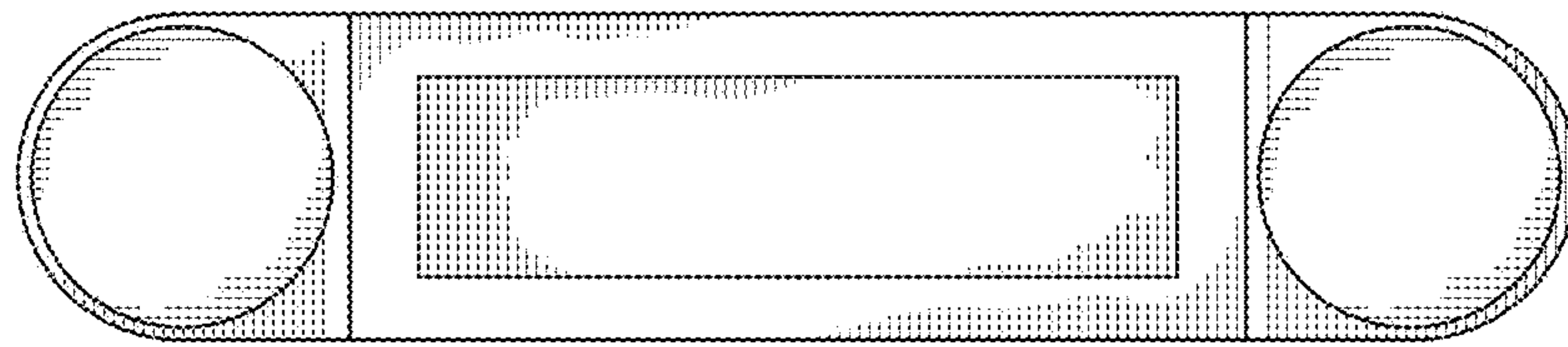


FIG. 4

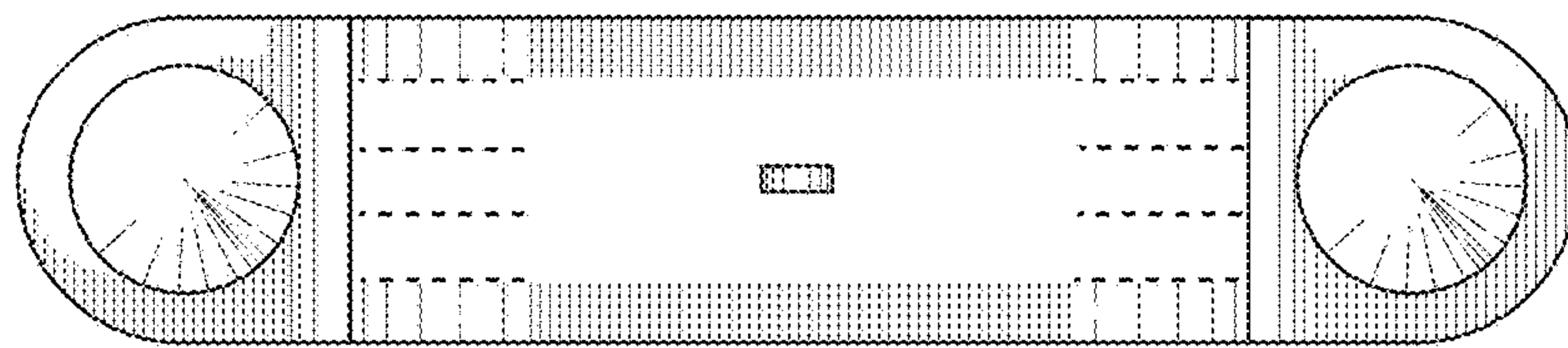
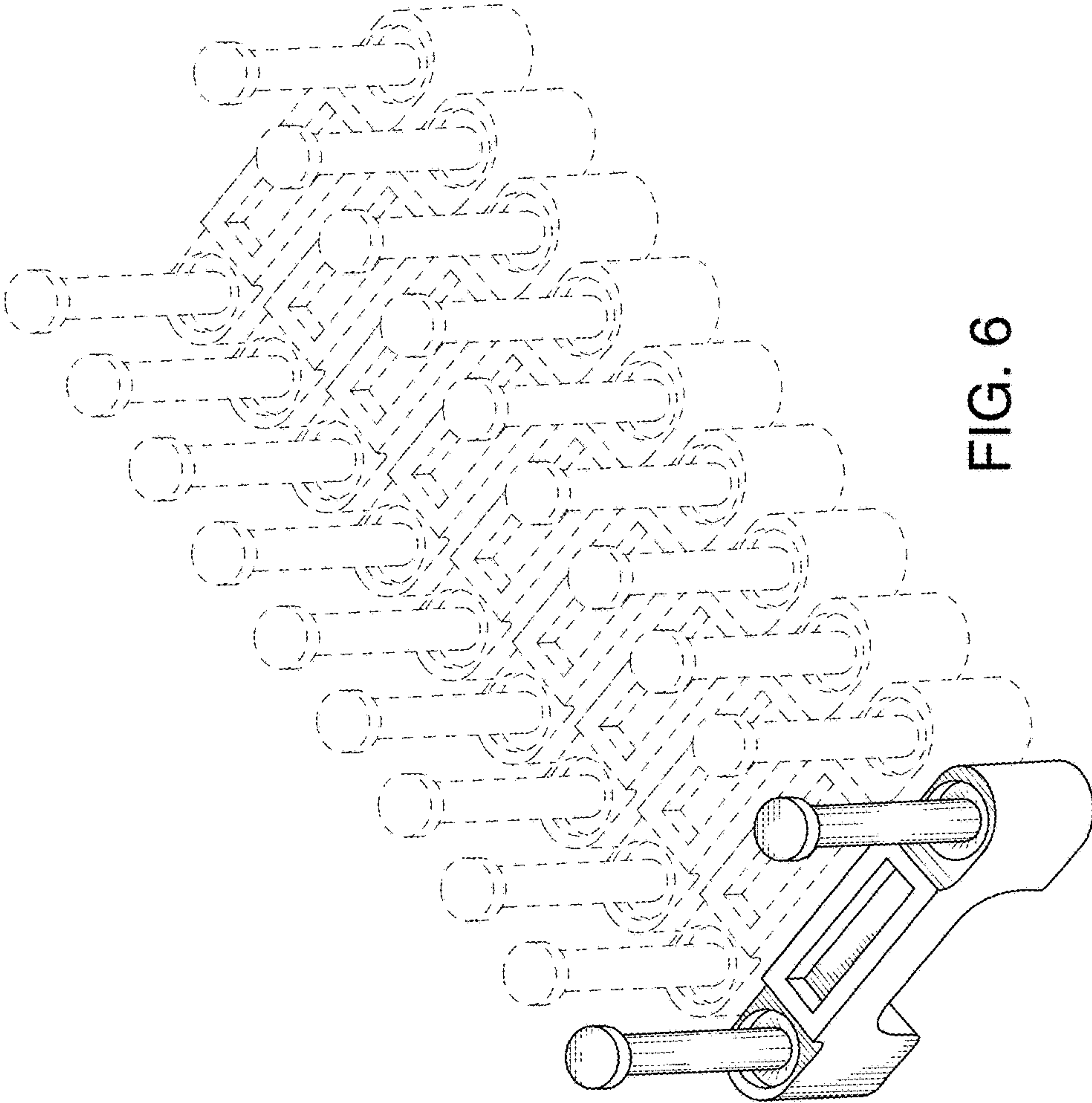


FIG. 5



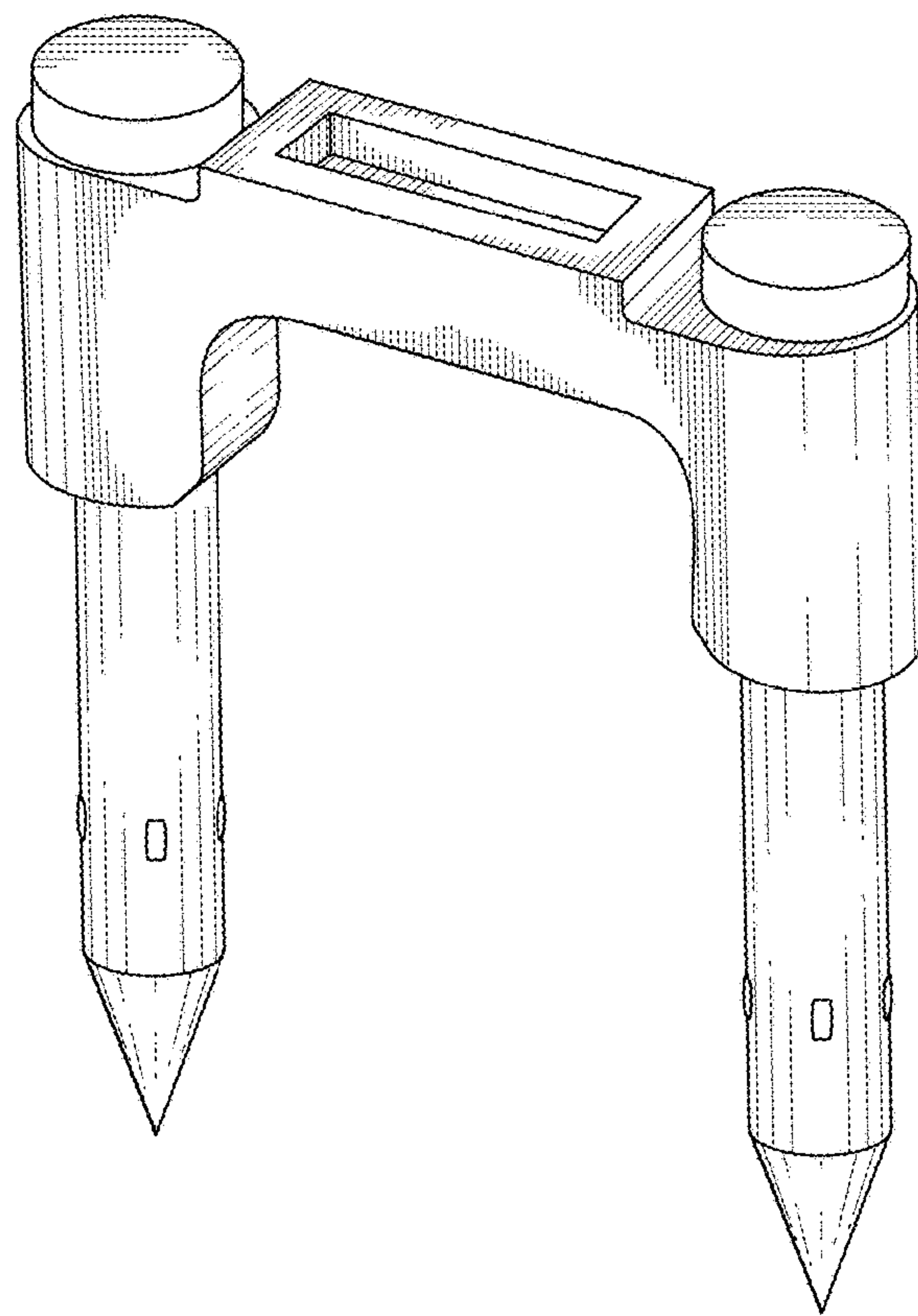


FIG. 7

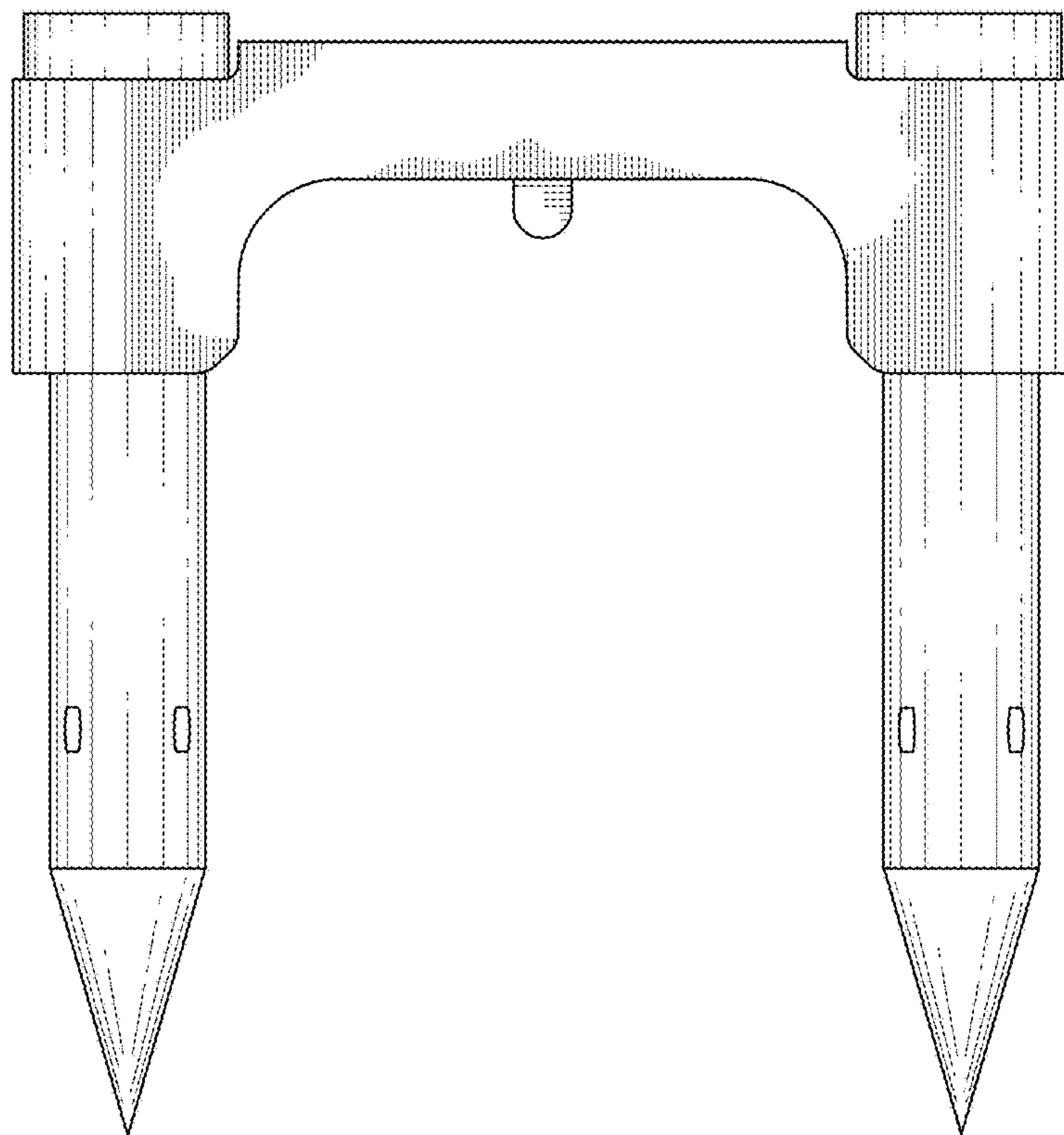


FIG. 8

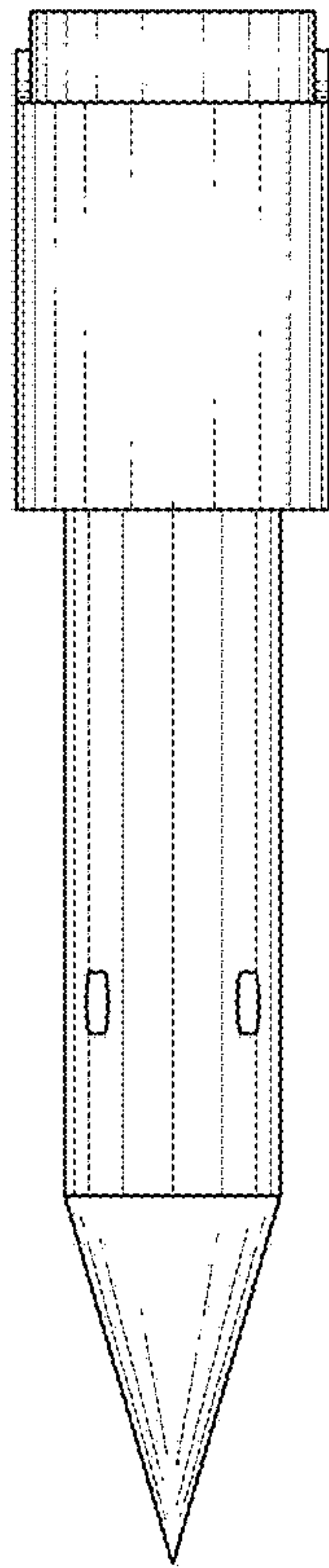


FIG. 9

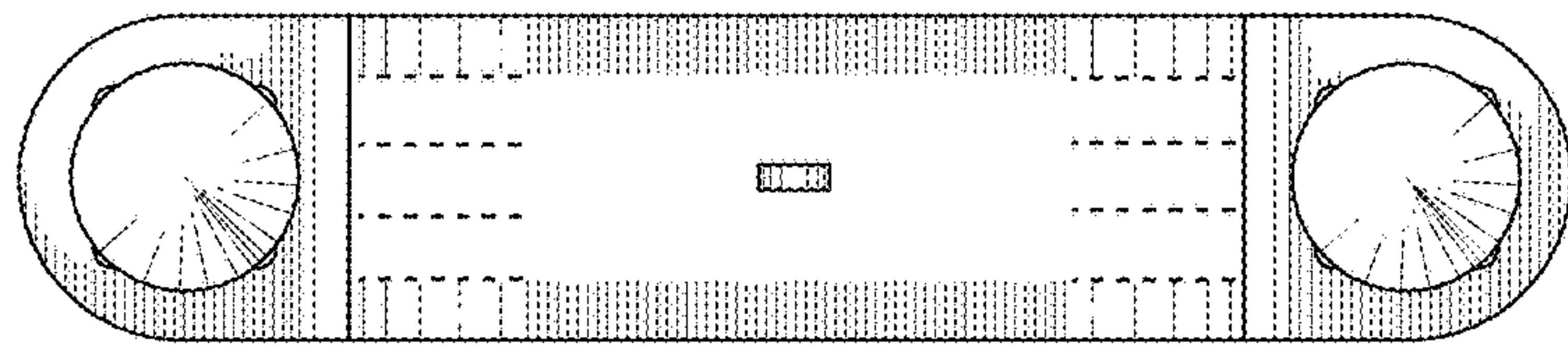


FIG. 10

