



US00D836071S

(12) **United States Design Patent**
Webb

(10) **Patent No.:** **US D836,071 S**

(45) **Date of Patent:** **** Dec. 18, 2018**

(54) **ELECTRICAL CONNECTOR**

(71) Applicant: **MARKLYN GROUP INC.**, Brampton
(CA)

(72) Inventor: **David Blair Webb**, Brampton (CA)

(73) Assignee: **Marklyn Group Inc**, Brampton,
Ontario

(**) Term: **15 Years**

(21) Appl. No.: **29/612,371**

(22) Filed: **Jul. 31, 2017**

(51) **LOC (11) Cl.** **13-03**

(52) **U.S. Cl.**
USPC **D13/147**

(58) **Field of Classification Search**
USPC D13/133, 146, 147, 154, 184, 199
CPC H01R 9/09; H01R 9/091; H01R 9/098;
H01R 9/22; H01R 9/24; H01R 9/2408;
H01R 9/2691; H01R 9/28; H01R 4/029;
H01R 4/28; H01R 4/4836; H01R 4/4818;
H01R 4/4845; H01R 9/2475; H01R
12/53; H01R 12/58; H01R 13/502

See application file for complete search history.

(56) **References Cited**

U.S. PATENT DOCUMENTS

D355,656 S *	2/1995	Coppersmith	D14/217
D526,963 S *	8/2006	Morita	D13/147
D702,644 S *	4/2014	Tseng	D13/147
D736,164 S *	8/2015	Huang	D13/147
D768,083 S *	10/2016	Zhou	D13/147
D768,574 S *	10/2016	Zhou	D13/147
D768,575 S *	10/2016	Zhou	D13/147

* cited by examiner

Primary Examiner — Daniel Bui

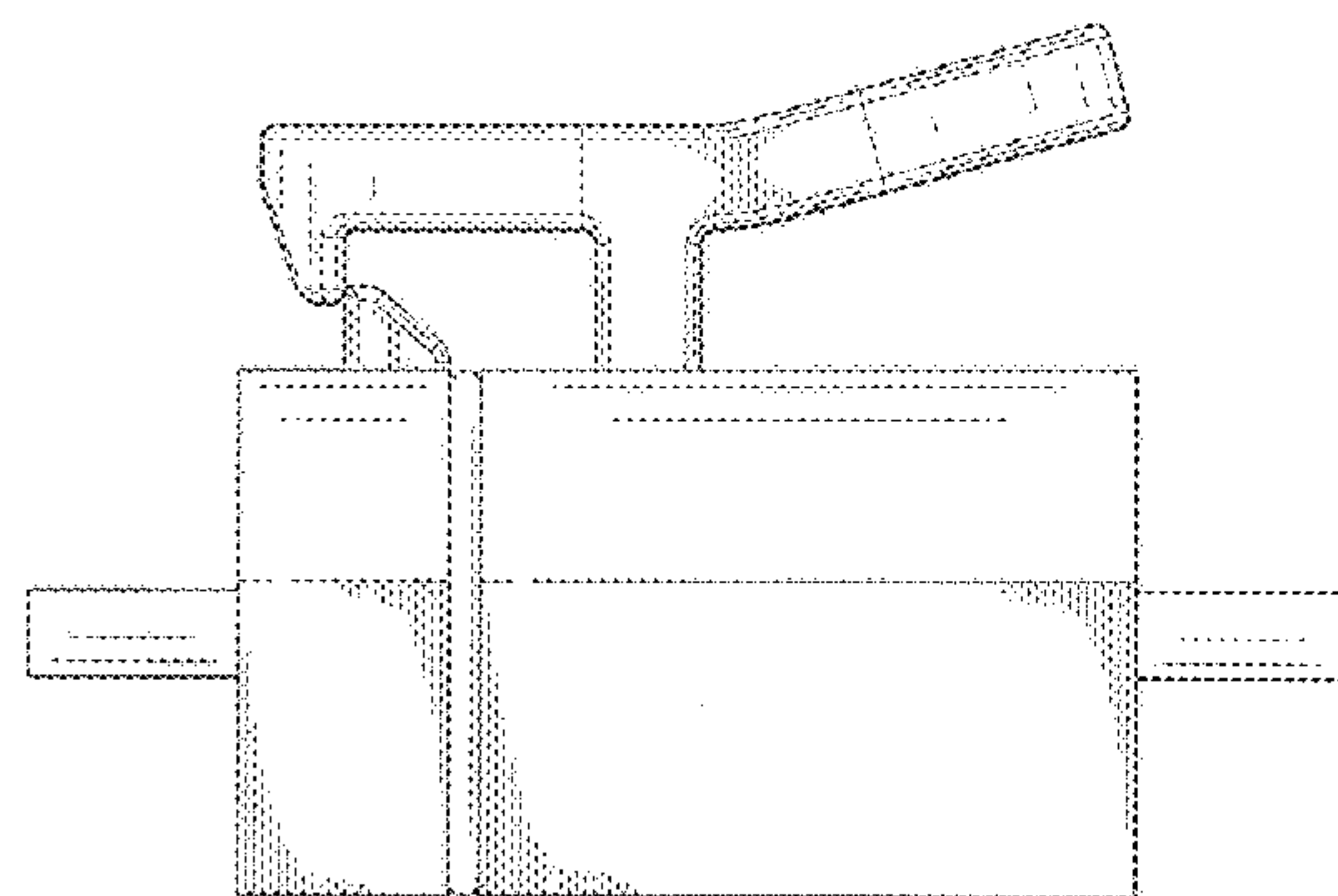
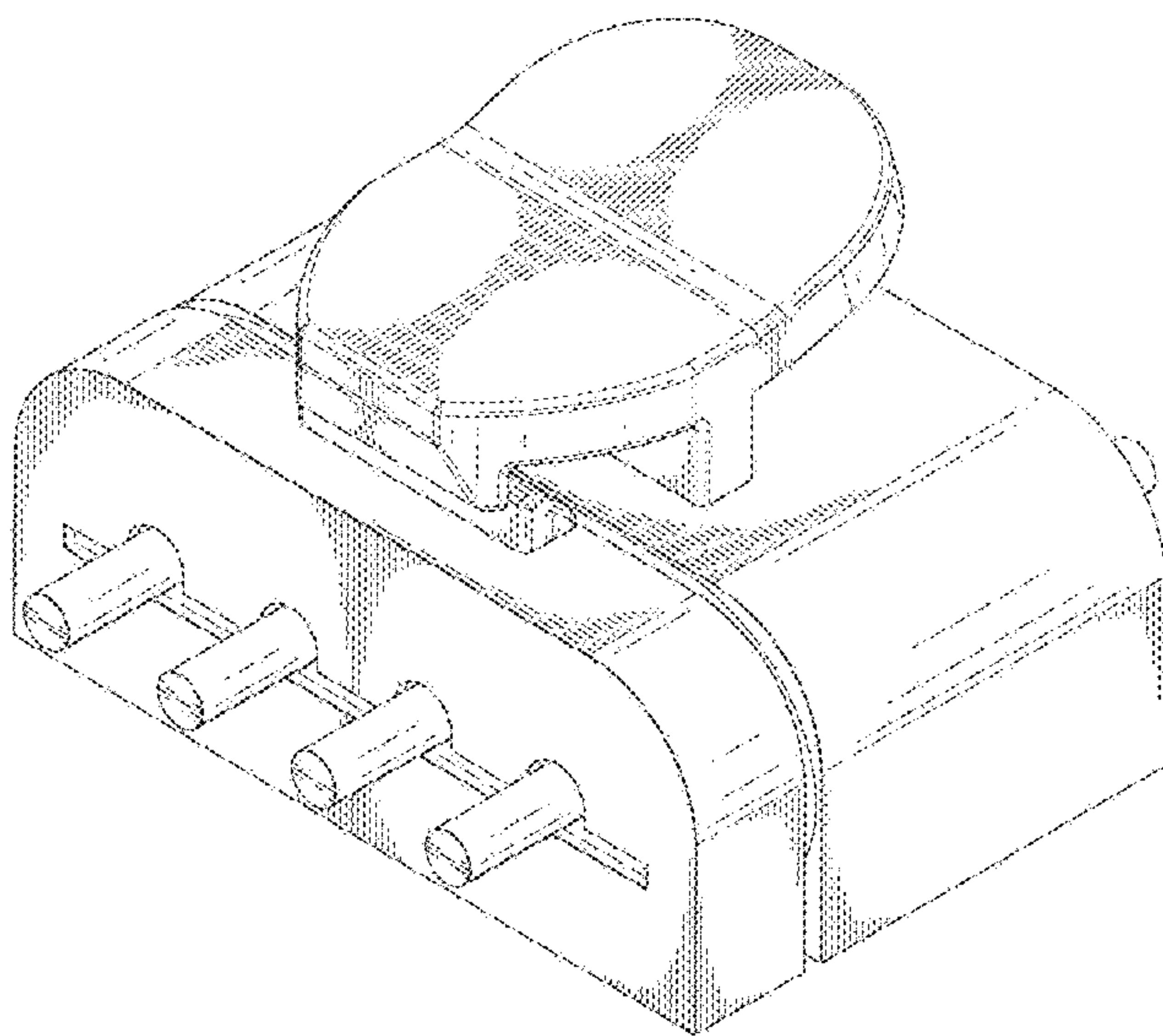
(57) **CLAIM**

The ornamental design for an electrical connector, as shown.

DESCRIPTION

FIG. 1 is a front perspective view of an electrical connector showing my new design;
FIG. 2 is a front elevational view thereof;
FIG. 3 is a rear elevational view thereof;
FIG. 4 is a right elevational view thereof;
FIG. 5 is a left elevational view thereof;
FIG. 6 is a top plan view thereof; and,
FIG. 7 is a bottom plan view thereof.

1 Claim, 5 Drawing Sheets



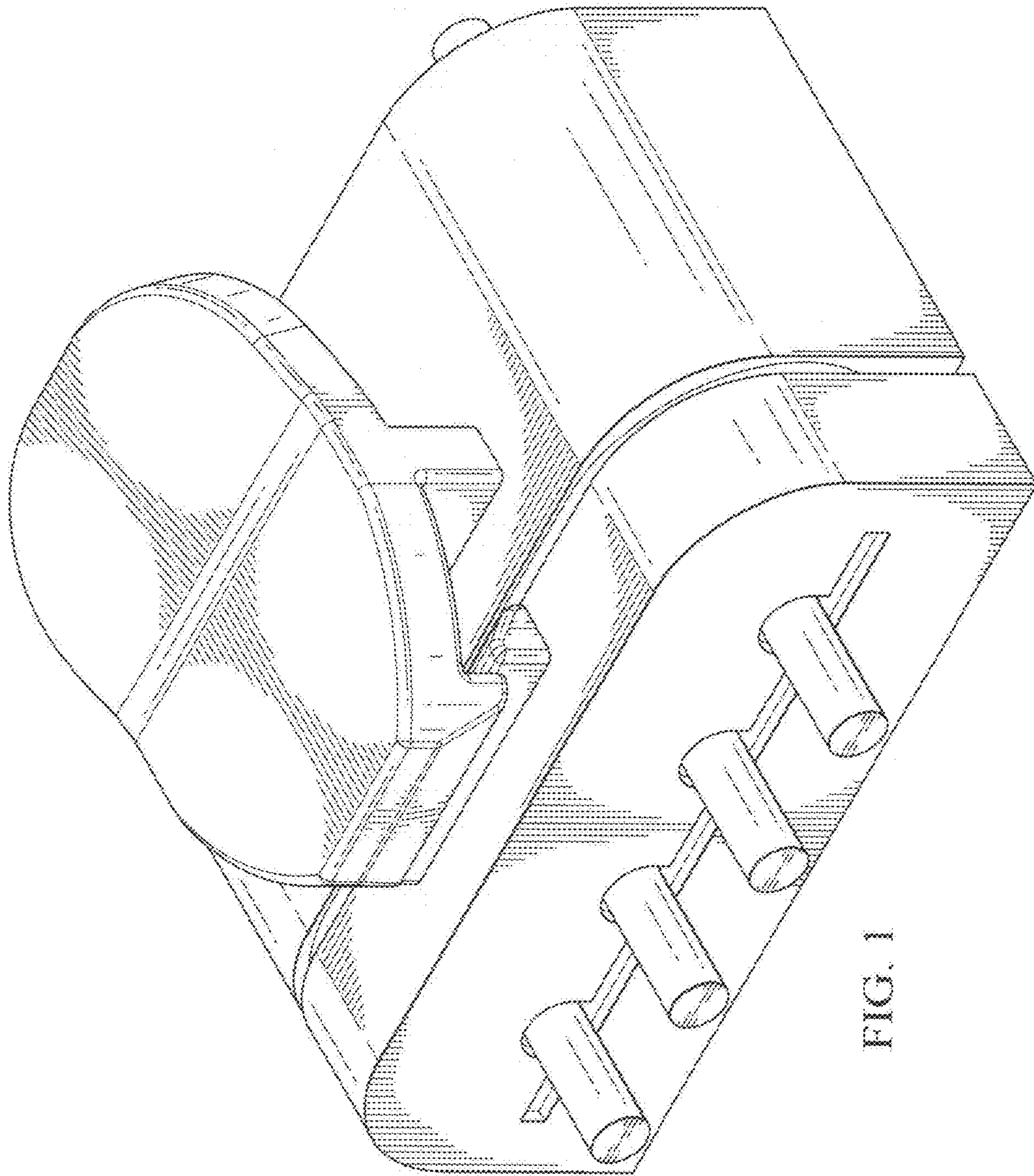


FIG. 1

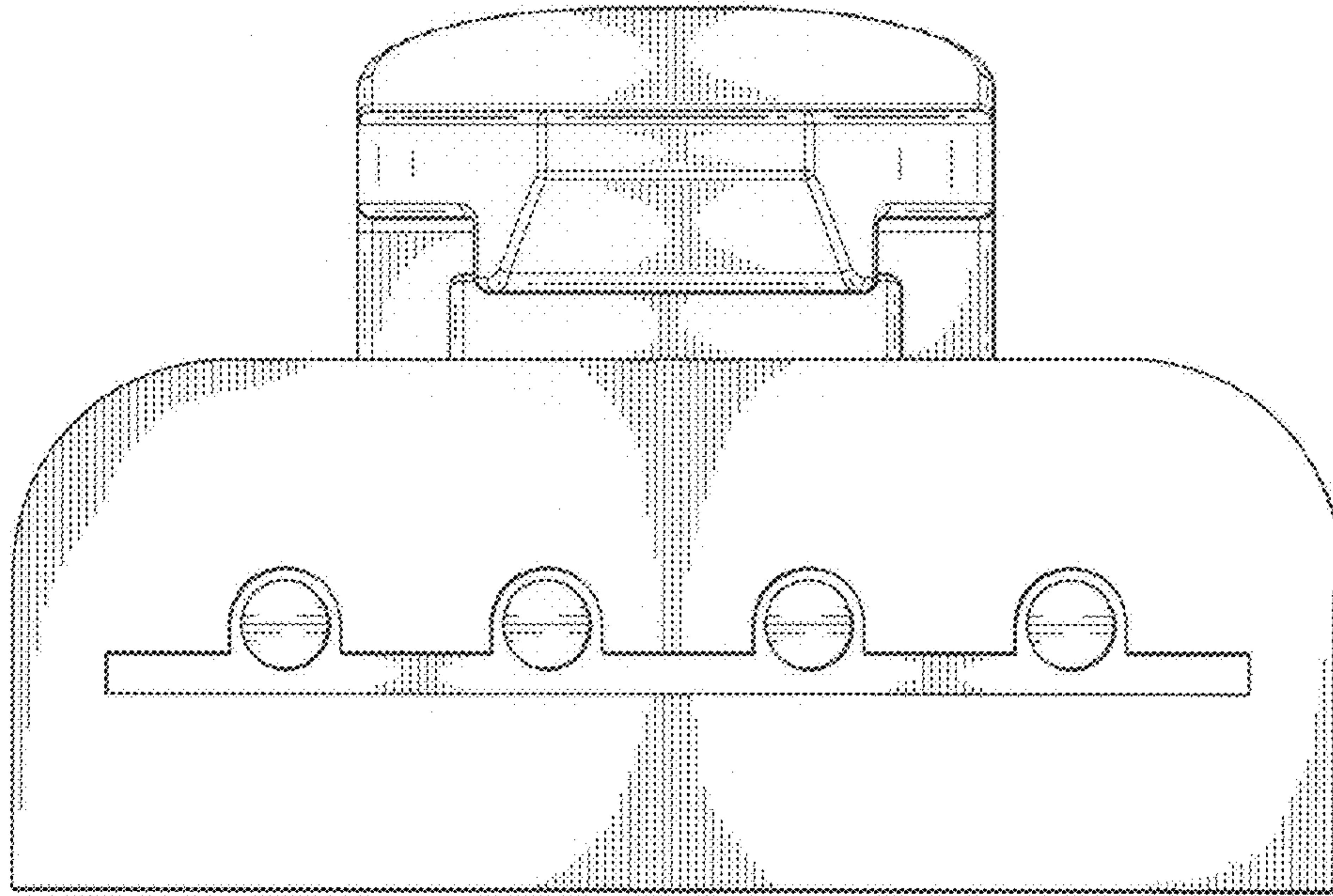


FIG. 2

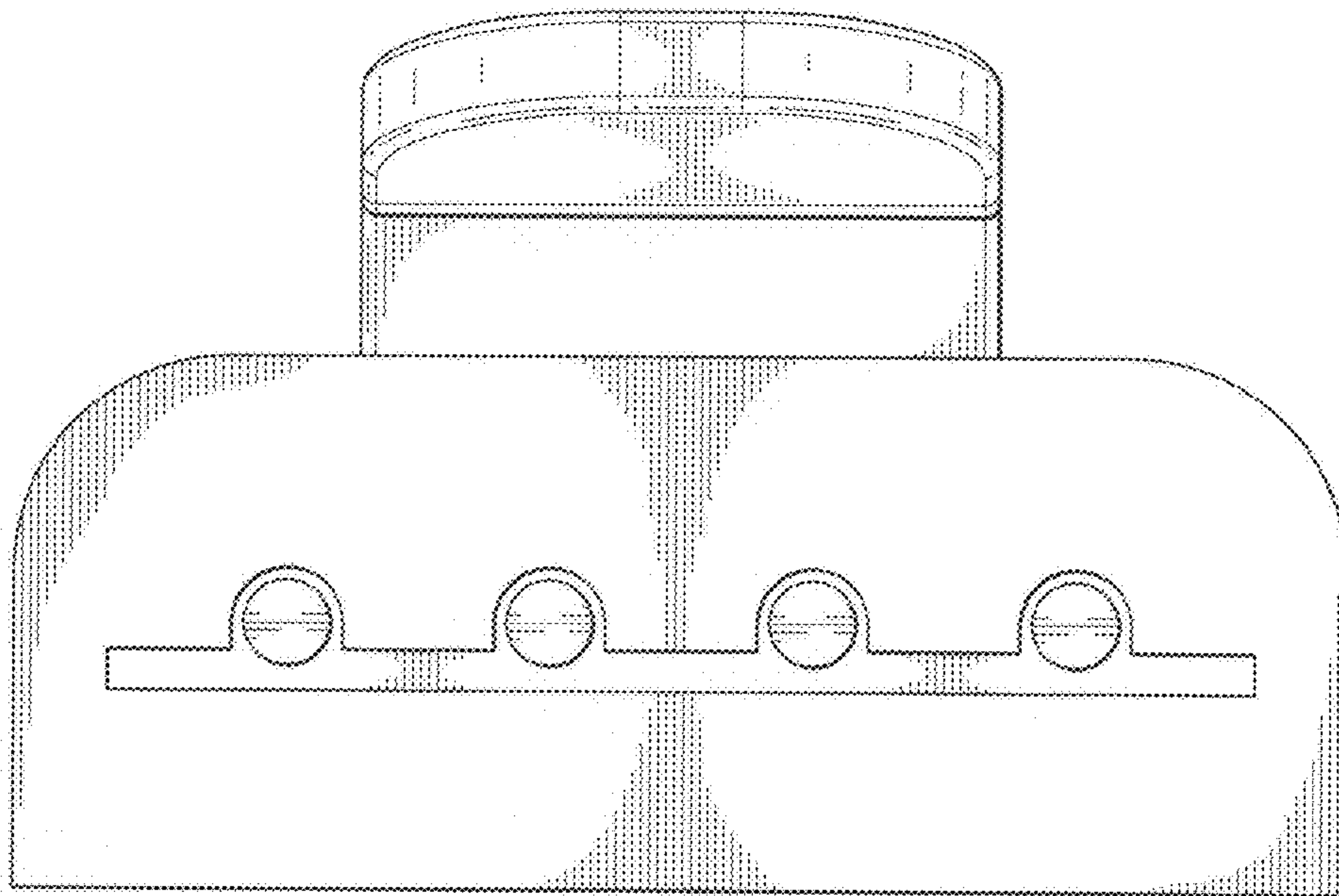


FIG. 3

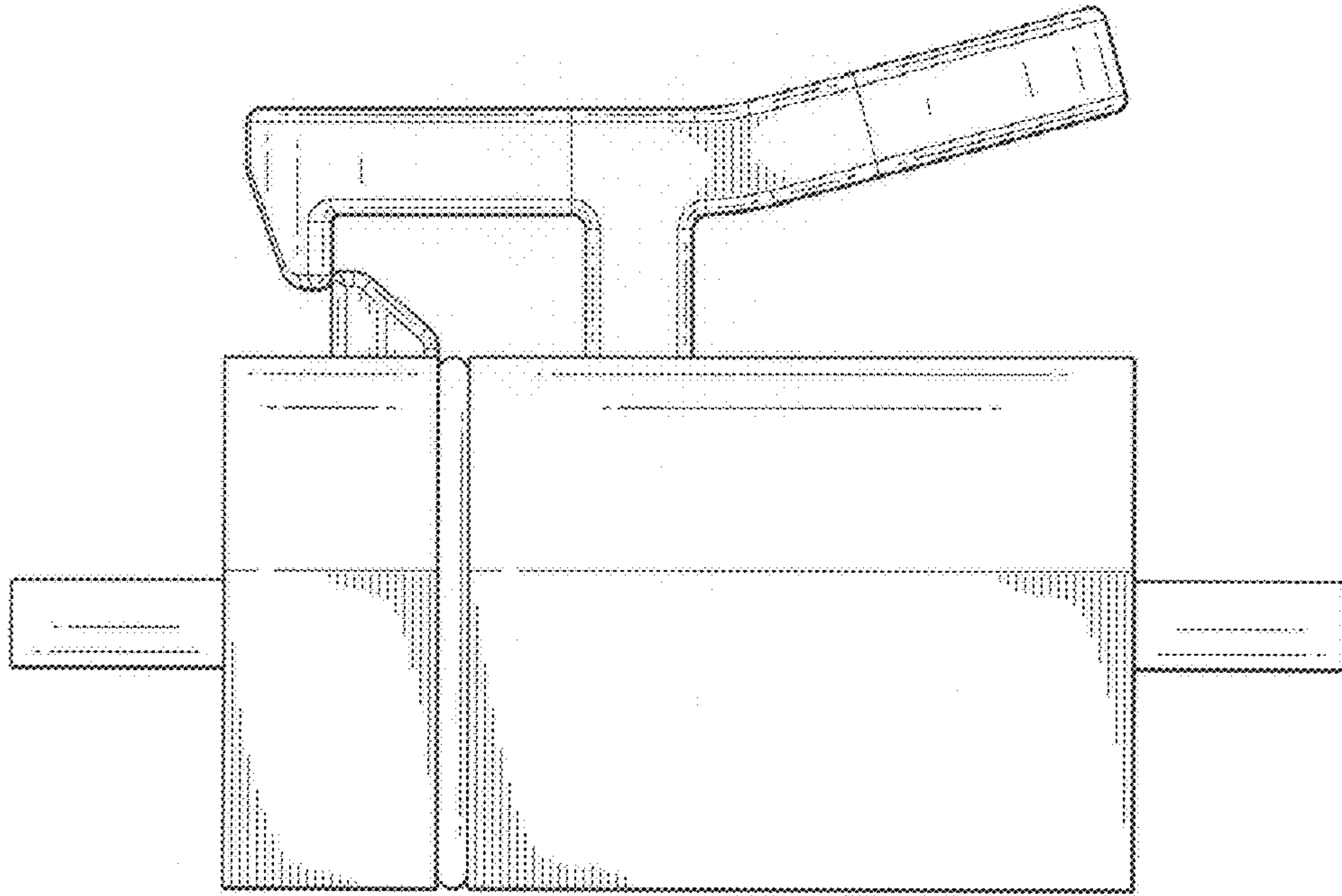


FIG. 4

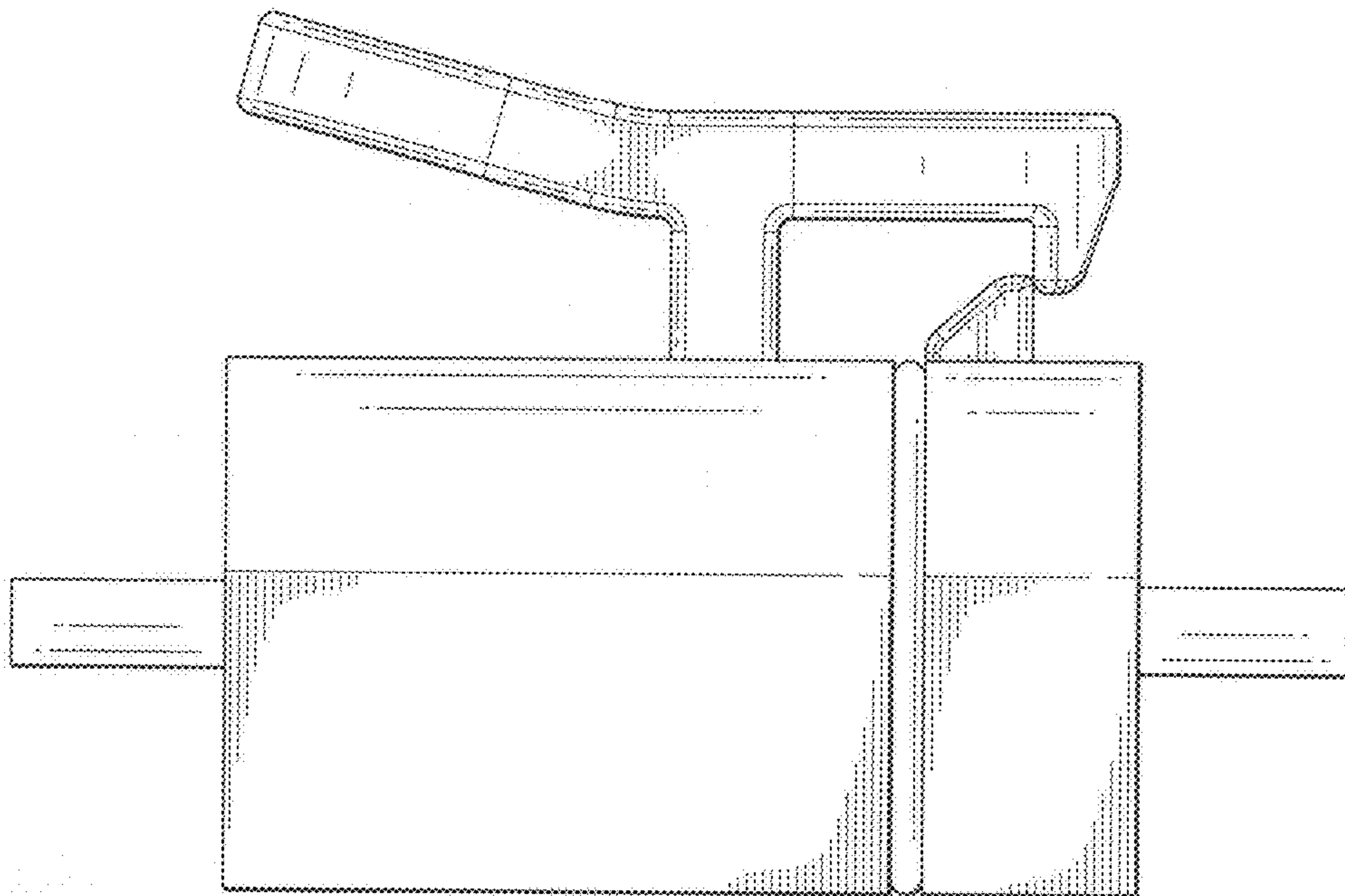


FIG. 5

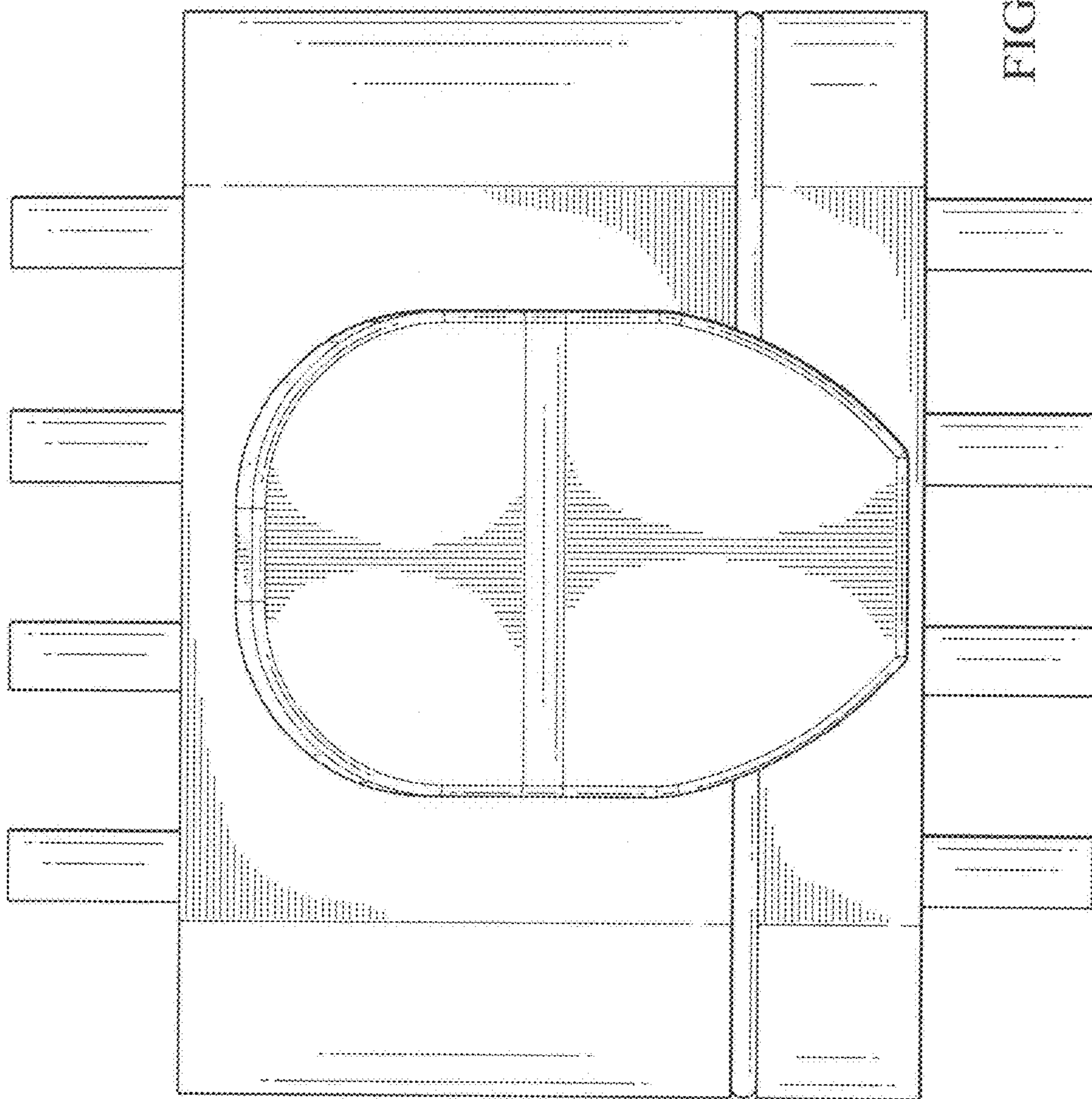


FIG. 6

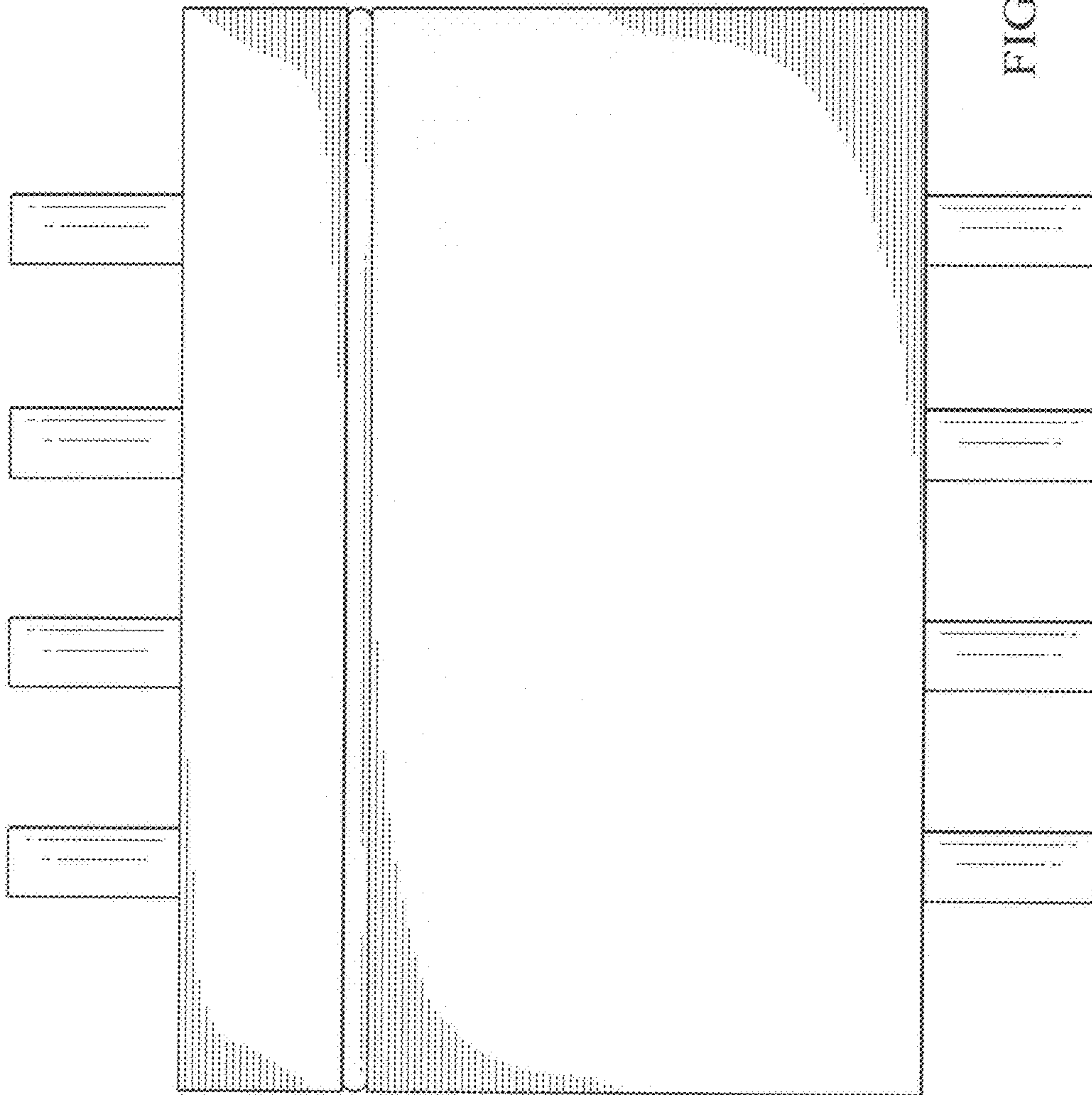


FIG. 7