



US00D836067S

(12) **United States Design Patent**
Tschopp

(10) **Patent No.:** **US D836,067 S**

(45) **Date of Patent:** **** Dec. 18, 2018**

(54) **BATTERY CHARGER**

(71) Applicant: **Black & Decker Inc.**, New Britain, CT (US)

(72) Inventor: **Tylan A. Tschopp**, Baltimore, MD (US)

(73) Assignee: **BLACK & DECKER INC.**, New Britain, CT (US)

(**) Term: **15 Years**

(21) Appl. No.: **29/587,579**

(22) Filed: **Dec. 14, 2016**

(51) **LOC (11) Cl.** **13-02**

(52) **U.S. Cl.**
USPC **D13/107**

(58) **Field of Classification Search**

USPC D13/102-108, 110, 118-119, 184, 199;
D14/251, 253, 432, 434; D15/9
CPC Y02E 60/12; Y02E 60/122; Y02E 60/124;
Y02E 60/50; H01M 2/02; H01M 2/022;
H01M 2/0202; H01M 2/0207; H01M
2/0212; H01M 2/1061; H01M 2/1022;
H01M 2/1055; H01M 2/1066; H01M
2/105; H01M 2/204; H01M 10/4257;
H01M 10/0436; H01M 10/48; Y02T
10/7005; Y02T 10/705; Y02T 10/7088;
H02J 7/0034; H02J 7/0054; H02J 7/1423;
H02J 2001/006

See application file for complete search history.

(56) **References Cited**

U.S. PATENT DOCUMENTS

5,019,767 A * 5/1991 Shirai H01M 2/105
224/902
D617,267 S * 6/2010 Li D13/107

D624,013 S * 9/2010 Lingott D13/107
D656,896 S * 4/2012 Fung D13/110
D662,879 S * 7/2012 Steinbuchel, IV D13/107
D664,501 S * 7/2012 Inskeep D13/107
D694,180 S * 11/2013 Inskeep D13/107
D744,942 S * 12/2015 Bates D13/107
D744,943 S * 12/2015 Bates D13/107
D744,945 S * 12/2015 Bates D13/107
D755,121 S * 5/2016 Barajas D13/107
D793,955 S * 8/2017 Yang D13/107

* cited by examiner

Primary Examiner — Jennifer Rivard

Assistant Examiner — Alison M Ofstun

(74) *Attorney, Agent, or Firm* — Adan Ayala

(57) **CLAIM**

The ornamental design for a battery charger, as shown and described.

DESCRIPTION

FIG. 1 is a front perspective view of a battery charger, showing our new design.

FIG. 2 is a front view of the battery charger of FIG. 1.

FIG. 3 is a rear view of the battery charger of FIG. 1.

FIG. 4 is a left side view of the battery charger of FIG. 1.

FIG. 5 is a right side view of the battery charger of FIG. 1.

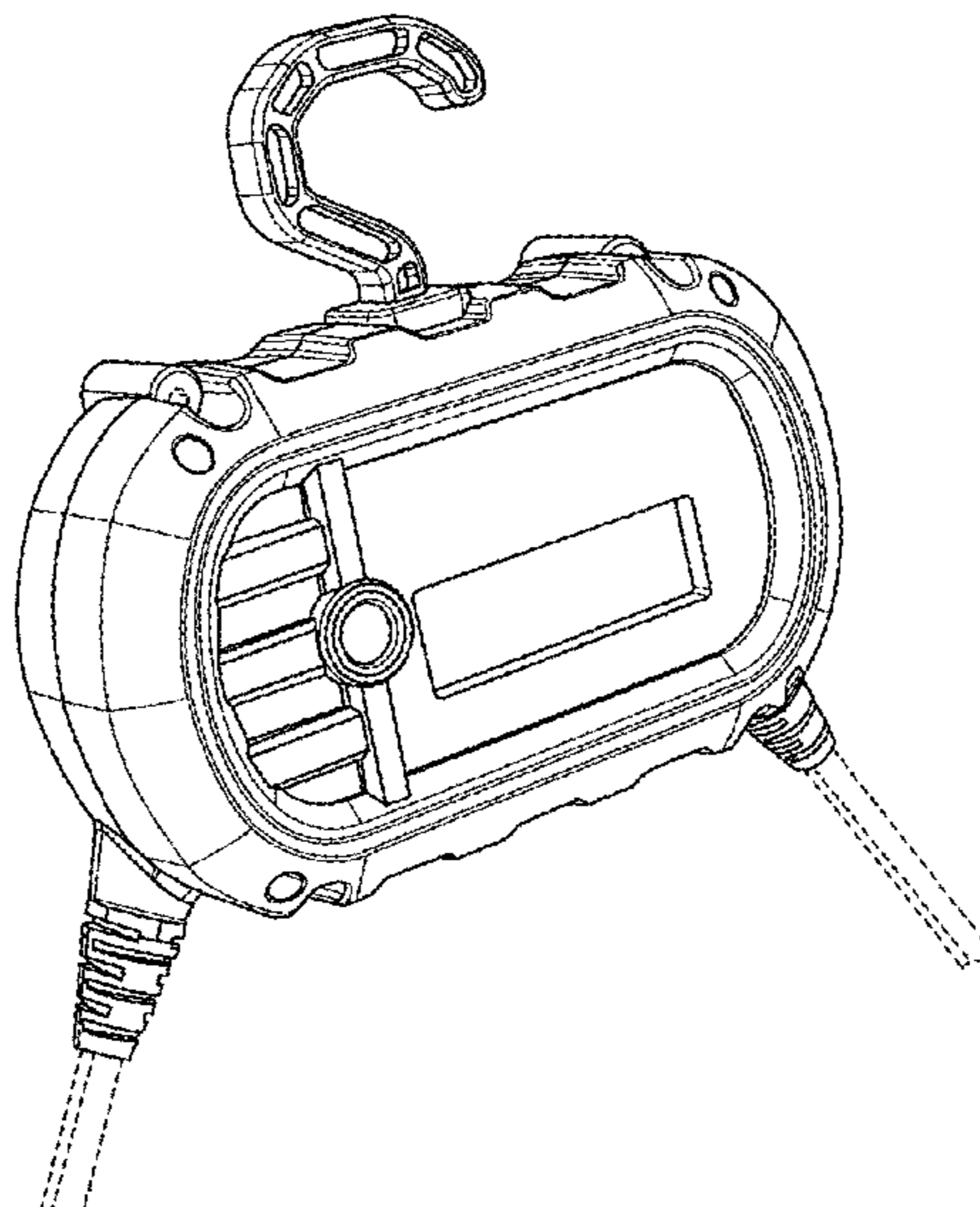
FIG. 6 is a top plan view of the battery charger of FIG. 1.

FIG. 7 is a bottom plan view of the battery charger of FIG. 1; and,

FIG. 8 is a rear perspective view of the battery charger of FIG. 1.

The attached cables and other portions shown in broken line do not form part of the claimed design.

1 Claim, 8 Drawing Sheets



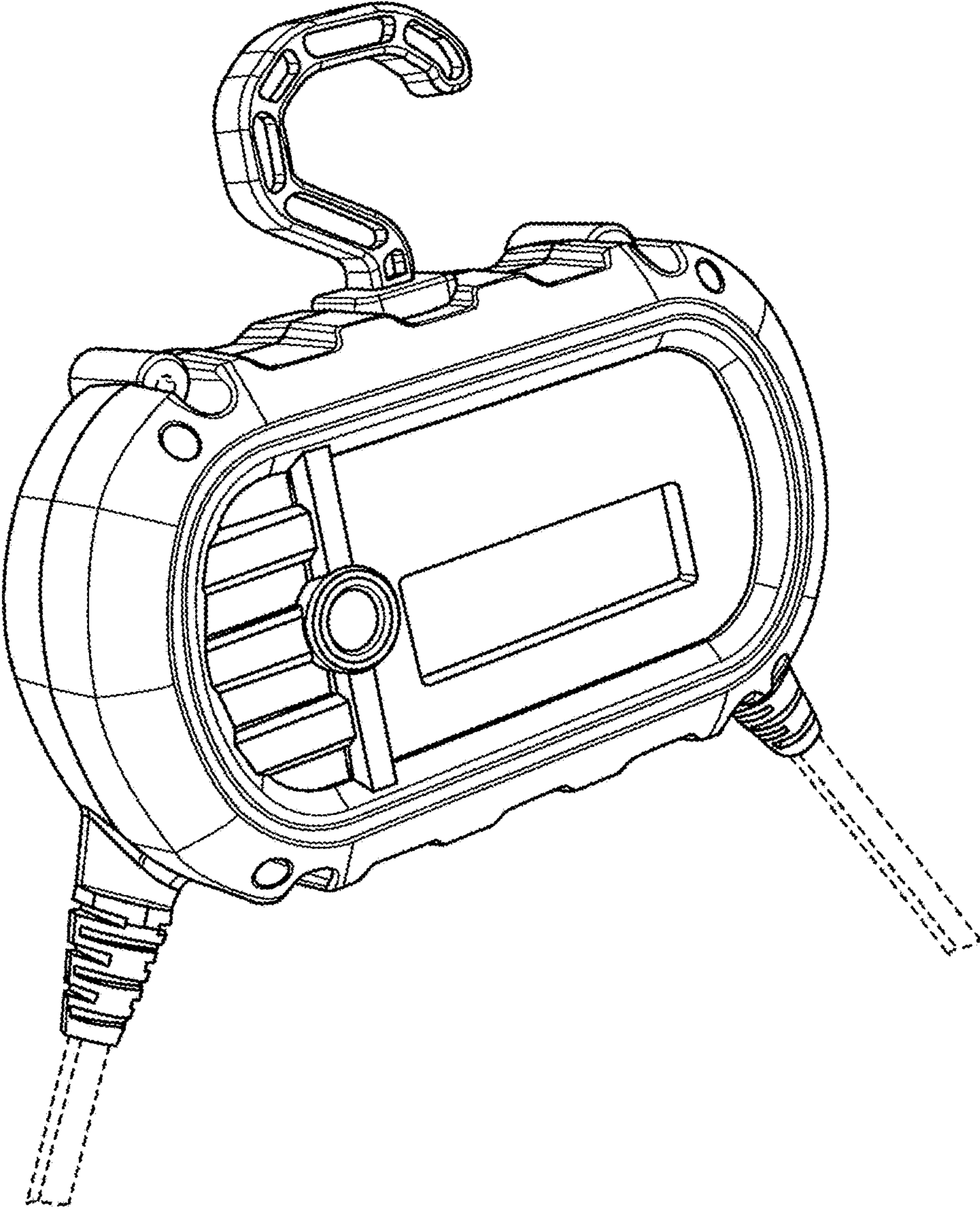


FIG. 1

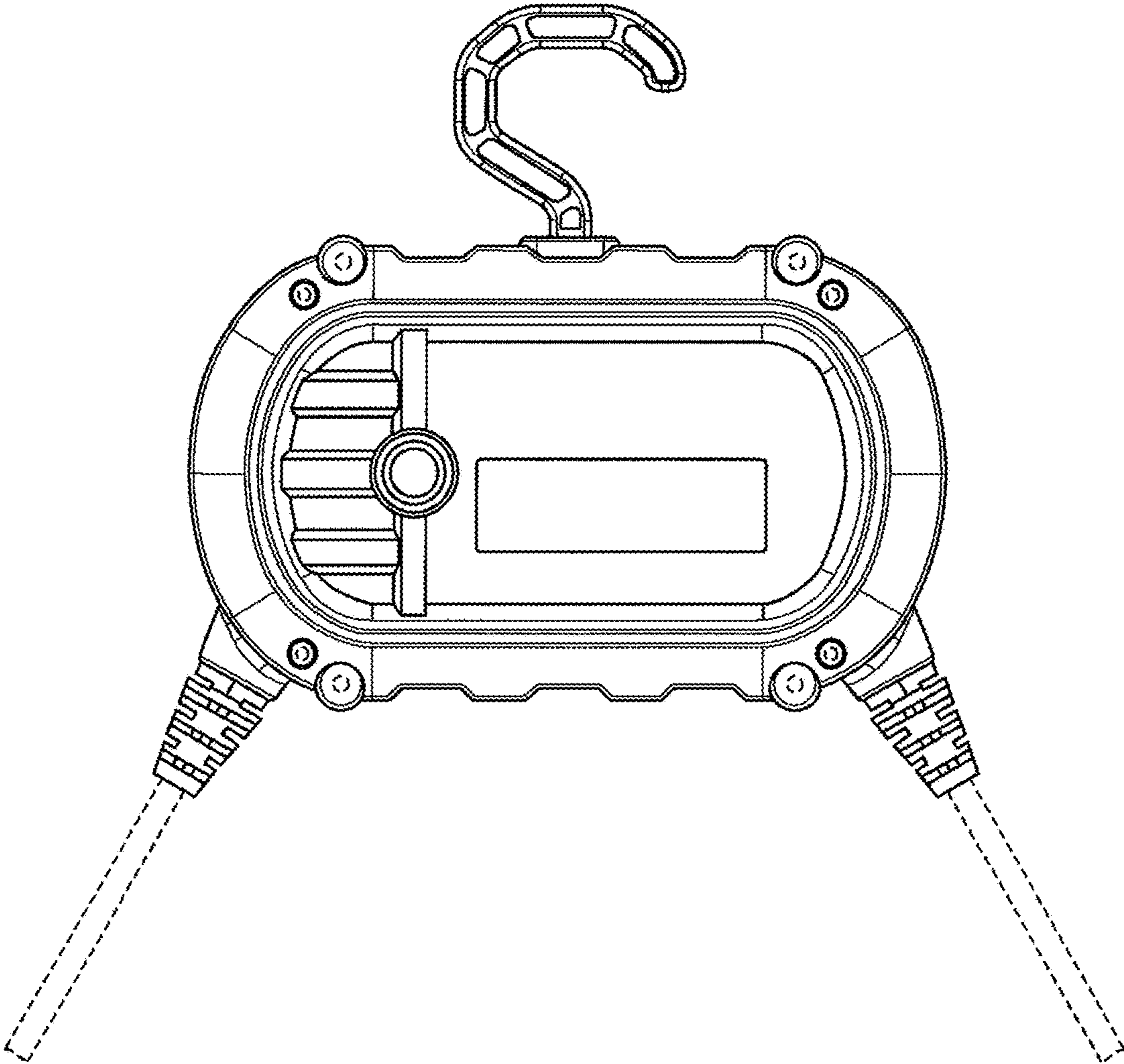


FIG. 2

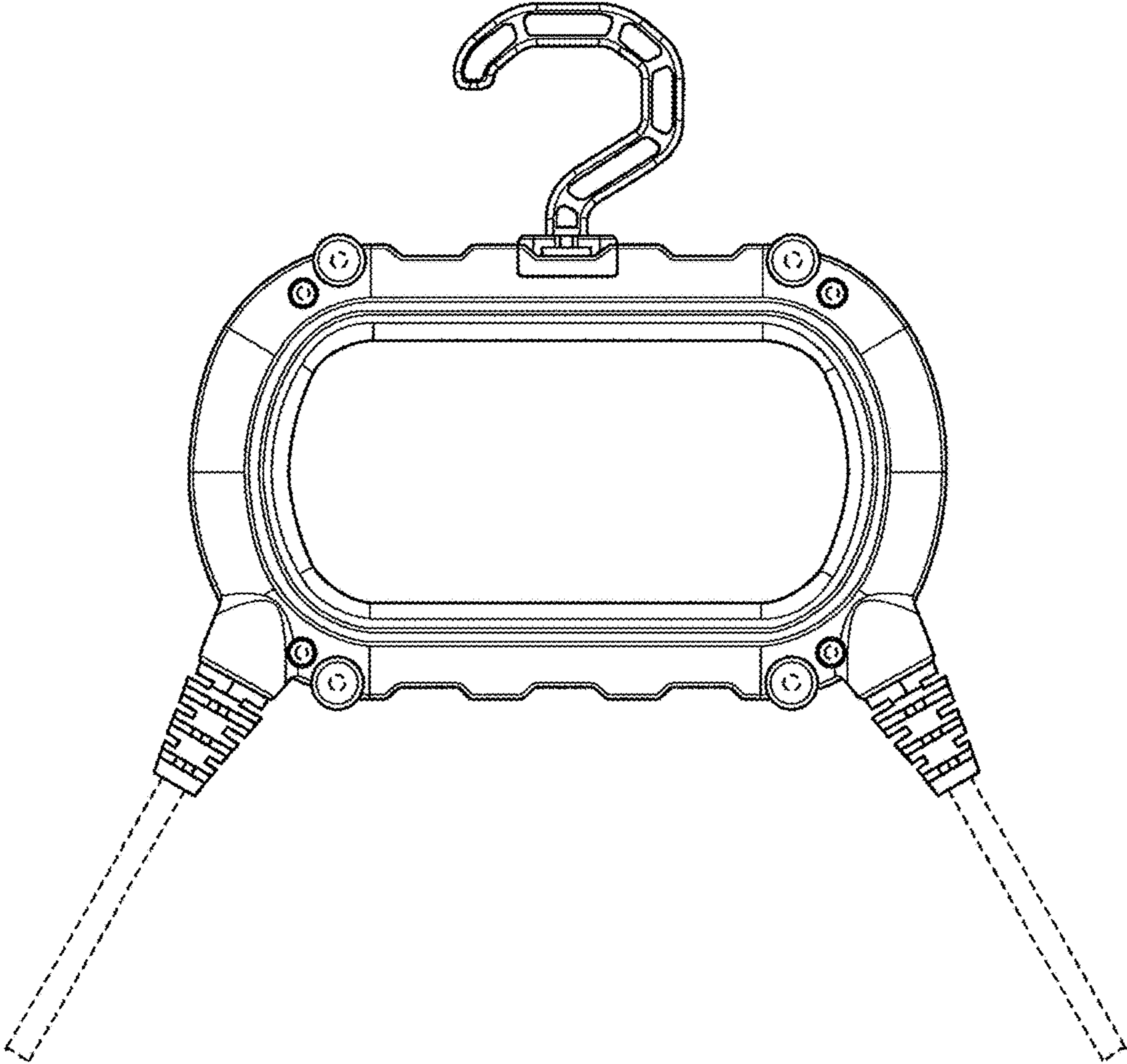


FIG. 3

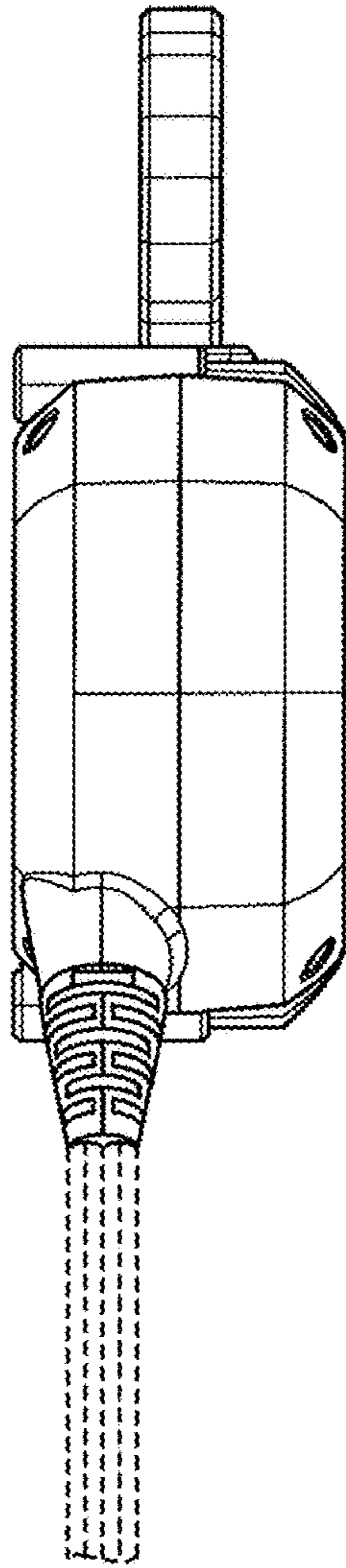


FIG. 4

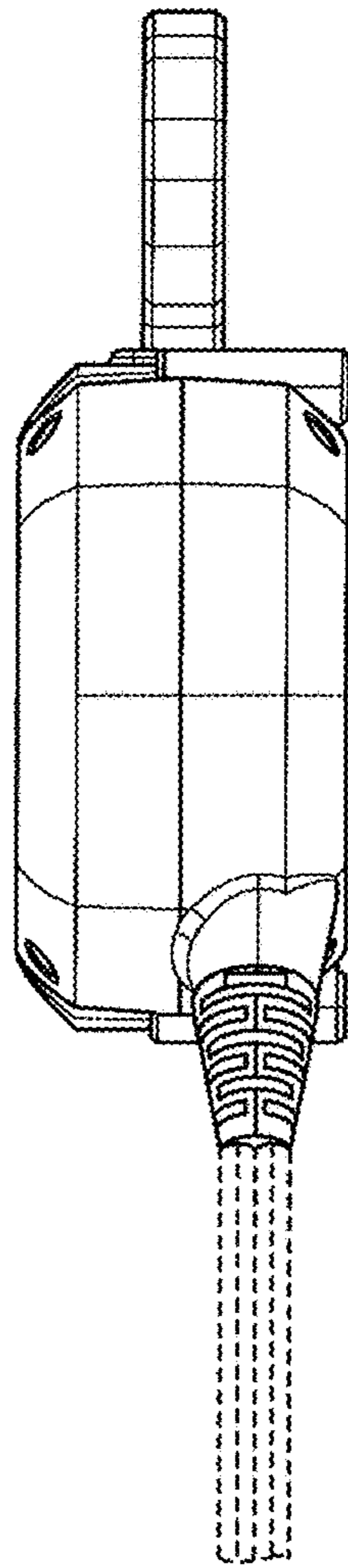


FIG. 5

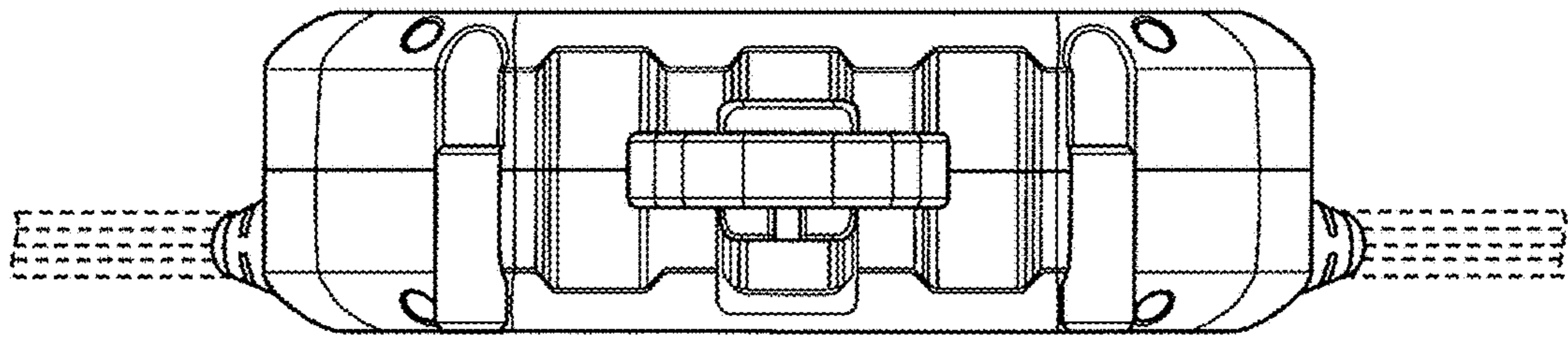


FIG. 6

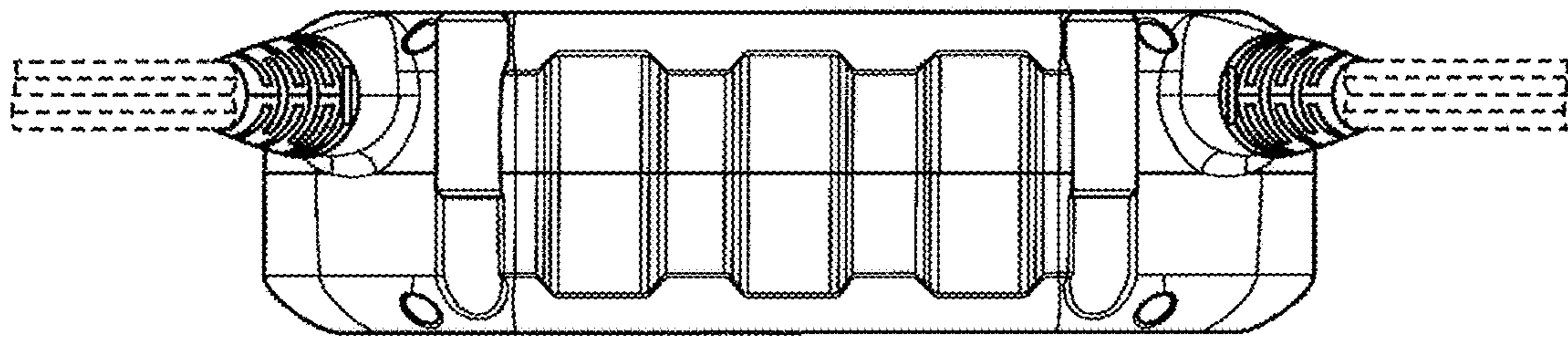


FIG. 7

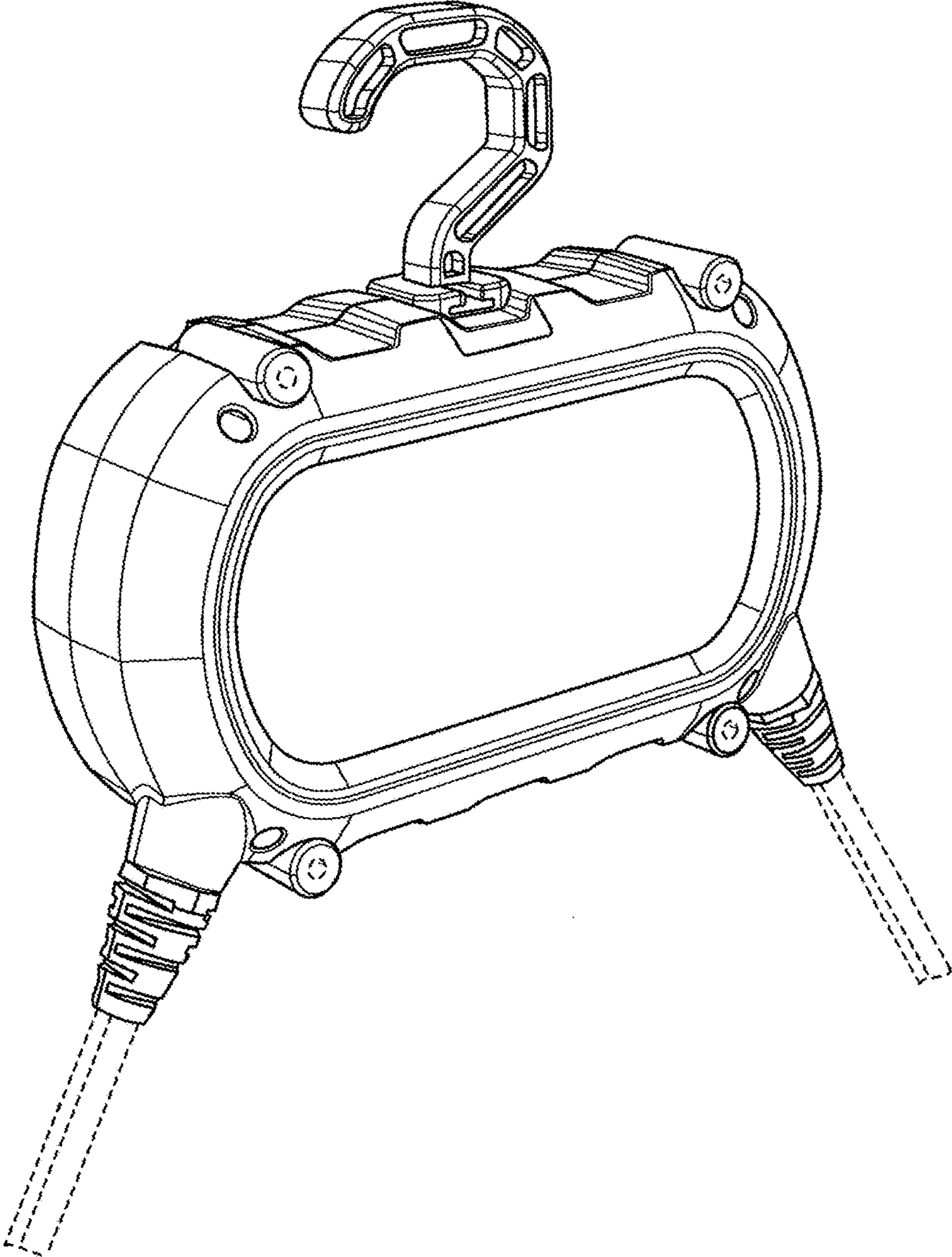


FIG. 8