



US00D836066S

(12) **United States Design Patent**  
**Lim et al.**

(10) **Patent No.:** **US D836,066 S**

(45) **Date of Patent:** **\*\* Dec. 18, 2018**

(54) **BATTERY**

(71) Applicant: **Symbol Technologies, LLC**, Holtsville, NY (US)

(72) Inventors: **Sunghun Lim**, Bethpage, NY (US);  
**Edward M. Voli**, East Setauket, NY (US);  
**Chandra M. Nair**, Mount Sinai, NY (US)

(73) Assignee: **Symbol Technologies, LLC**, Holtsville, NY (US)

(\*\*) Term: **15 Years**

(21) Appl. No.: **29/560,984**

(22) Filed: **Apr. 12, 2016**

(51) **LOC (11) Cl.** ..... **13-02**

(52) **U.S. Cl.**  
USPC ..... **D13/103**

(58) **Field of Classification Search**  
USPC ..... D13/102–106, 110, 118–119, 184  
CPC ..... Y02E 60/12; Y02E 60/122; Y02E 60/124;  
Y02E 60/50; H01M 2/02; H01M 2/022;  
H01M 2/0202; H01M 2/0207; H01M 2/0212;  
H01M 2/1061; H01M 2/1022; H01M 2/1055;  
H01M 2/1066; H01M 2/105; H01M 2/204; H01M 2/1016;  
H01M 2200/00; H01M 10/4257; H01M 10/0436;  
H01M 10/48; H01M 10/42  
See application file for complete search history.

(56) **References Cited**

**U.S. PATENT DOCUMENTS**

4,709,973	A	12/1987	Waters	
D328,888	S	8/1992	Zhu	
D335,277	S *	5/1993	Hattori	D13/103
D363,055	S	10/1995	Kobayashi et al.	
D448,340	S	9/2001	Hall	
6,302,536	B1 *	10/2001	Sarma	B41J 2/16526 347/100

D484,851	S *	1/2004	Voli	D13/103
D528,071	S *	9/2006	Croley	D13/103
D581,866	S *	12/2008	Choi	D13/103
D647,050	S	10/2011	Tu	
D701,509	S *	3/2014	DeGiovine	D14/433
D716,729	S *	11/2014	Kelly	D13/110
D725,590	S	3/2015	Clyne	
D733,648	S	7/2015	Bianco	
D743,887	S	11/2015	Dasbach	
D743,888	S	11/2015	Dasbach	
D744,110	S *	11/2015	Kubo	D24/186
D751,989	S	3/2016	Imai	
9,367,723	B1 *	6/2016	Drzymala	G06K 7/10881
D766,175	S *	9/2016	Tsiopanos	D13/103
D768,068	S	10/2016	Chen	
D772,455	S	11/2016	Chen	

(Continued)

**OTHER PUBLICATIONS**

Design U.S. Appl. No. 29/558,188, filed Mar. 15, 2016.  
Design U.S. Appl. No. 29/559,575, filed Mar. 30, 2016.

*Primary Examiner* — Rosemary K Tarcza  
*Assistant Examiner* — Nathaniel D. Buckner

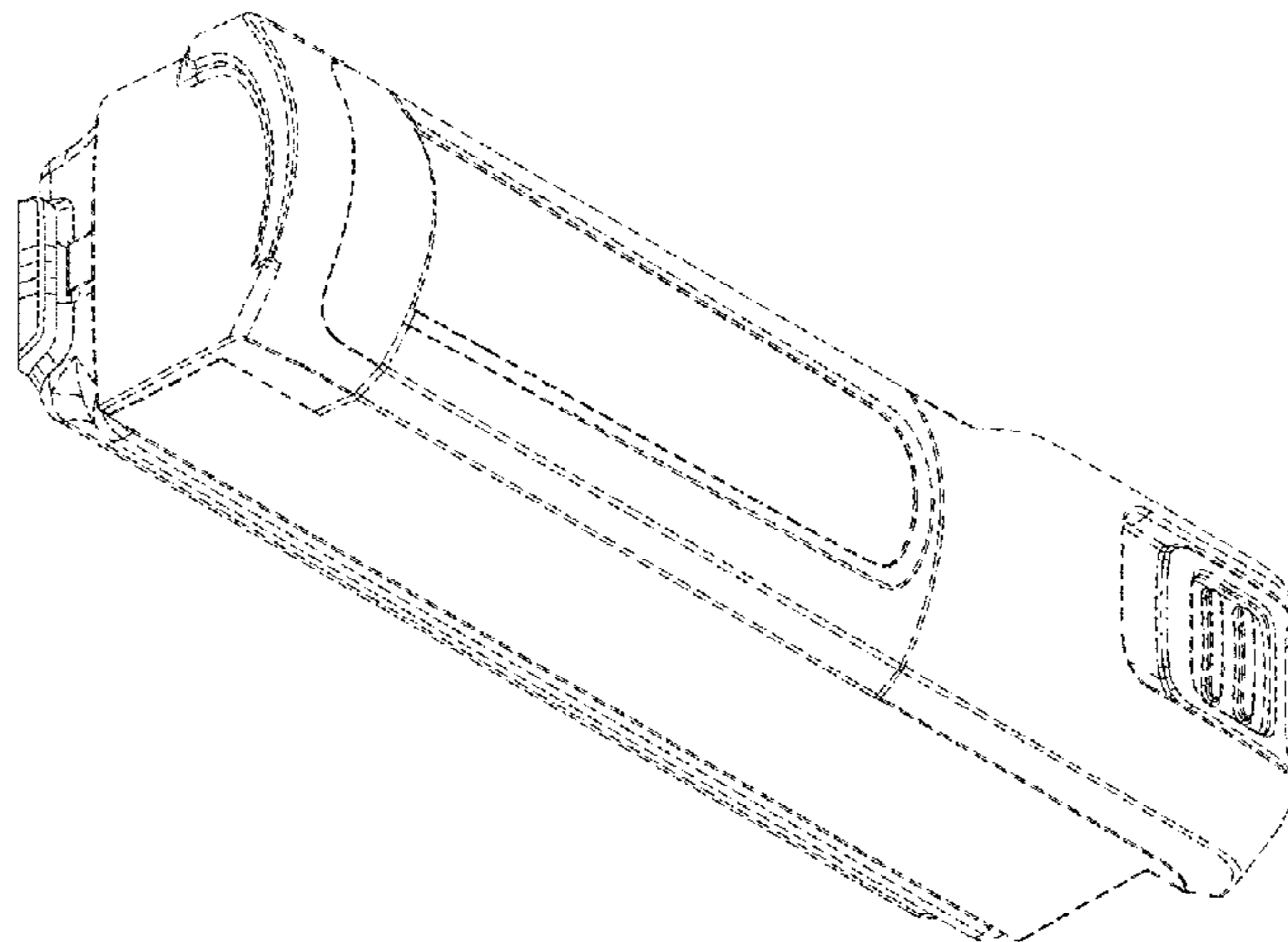
(57) **CLAIM**

We claim the ornamental design for a battery, as shown and described.

**DESCRIPTION**

FIG. 1 is a perspective view of a battery disclosed herein; FIG. 2 is another perspective view thereof; FIG. 3 is a top view thereof; FIG. 4 is a bottom view thereof; FIG. 5 is a rear view thereof; FIG. 6 is a front view thereof; FIG. 7 is a first side view thereof; and, FIG. 8 is a second side view thereof. Broken lines illustrate environmental structures that form no part of the claimed design.

**1 Claim, 5 Drawing Sheets**



(56)

**References Cited**

U.S. PATENT DOCUMENTS

D773,389	S	12/2016	Miller	
D776,059	S	1/2017	Kim	
D779,439	S	2/2017	Suzuki	
D780,111	S	2/2017	Clyne	
D783,523	S	4/2017	Jang	
D784,261	S	4/2017	Rowe	
D790,546	S	6/2017	Zhou	
D791,695	S	7/2017	Bergman	
D794,554	S	8/2017	Chang	
D800,379	S	10/2017	Fang	
9,780,580	B1 *	10/2017	Drzymala	..... H02J 7/0027
D818,949	S	5/2018	Dunkin	
2011/0039143	A1 *	2/2011	Bacon	..... H01M 2/30 429/100
2013/0196203	A1 *	8/2013	Wackwitz	..... B25F 5/00 429/96
2015/0180317	A1	6/2015	Chitsaz et al.	
2016/0268731	A1	9/2016	Ziegenfuss et al.	
2017/0030109	A1	2/2017	Duncan et al.	

\* cited by examiner

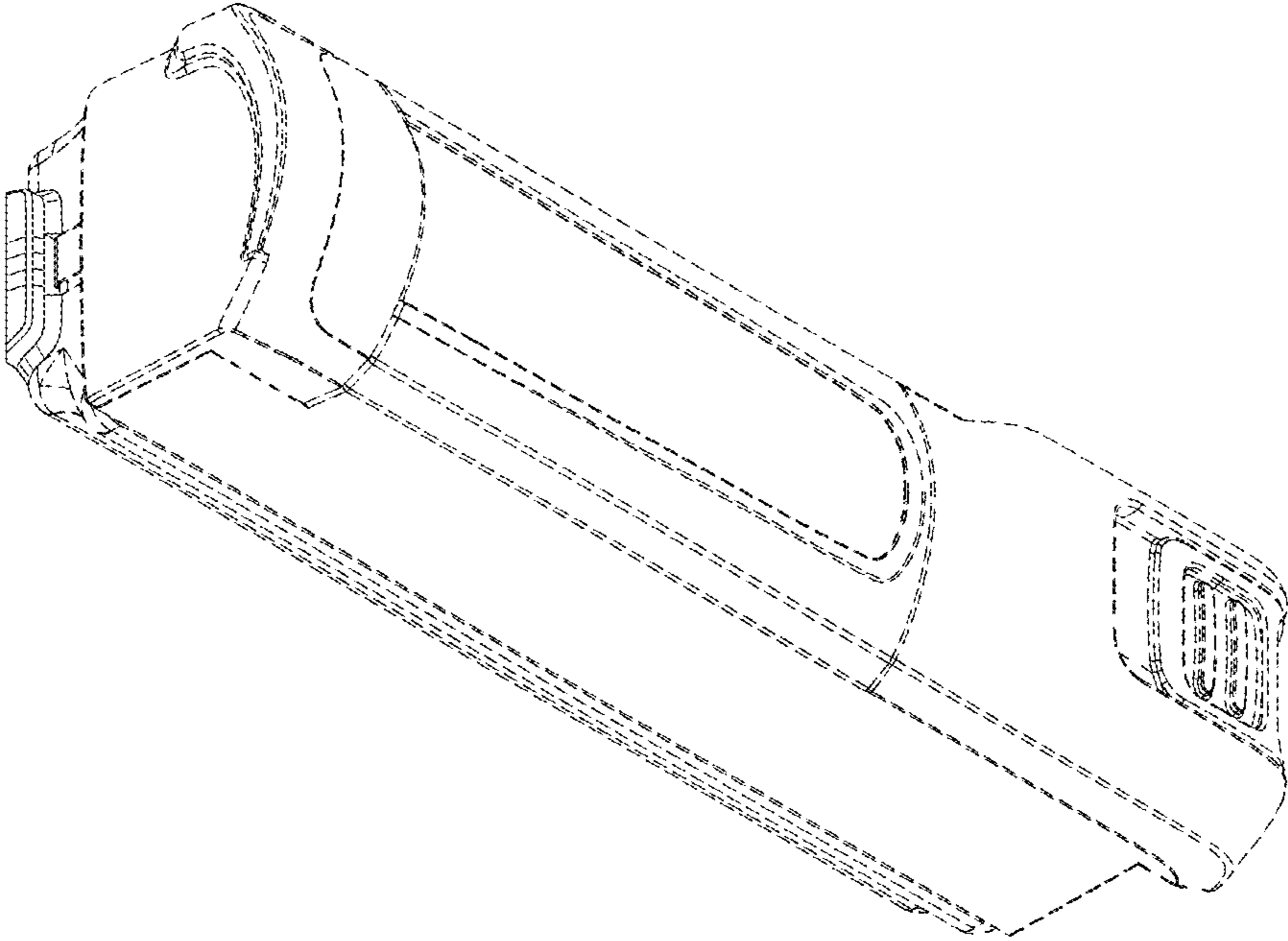


FIG. 1

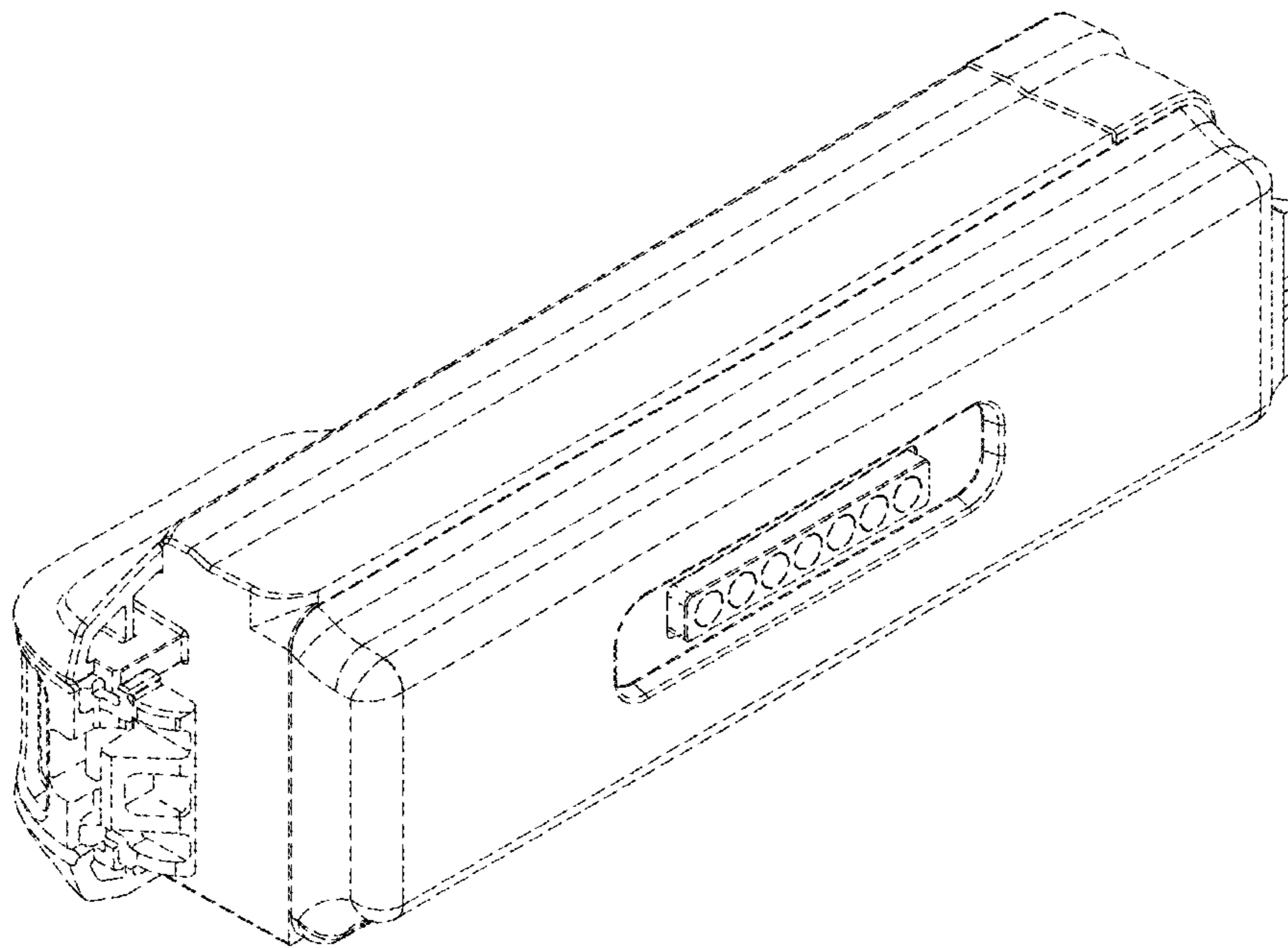


FIG. 2

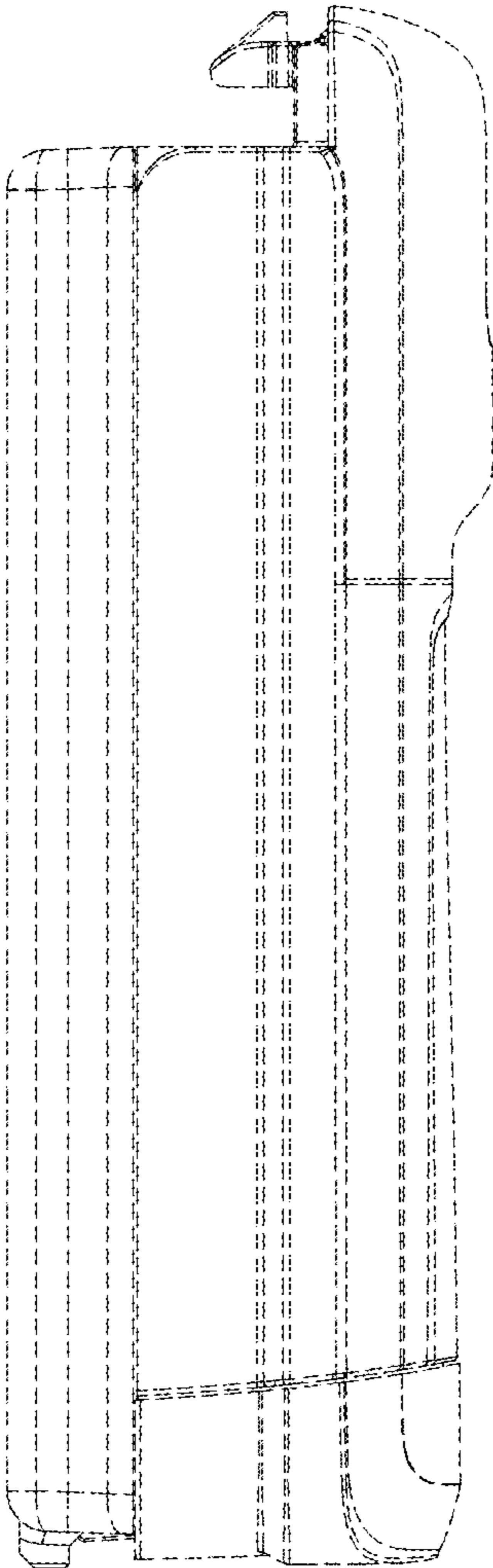


FIG. 3

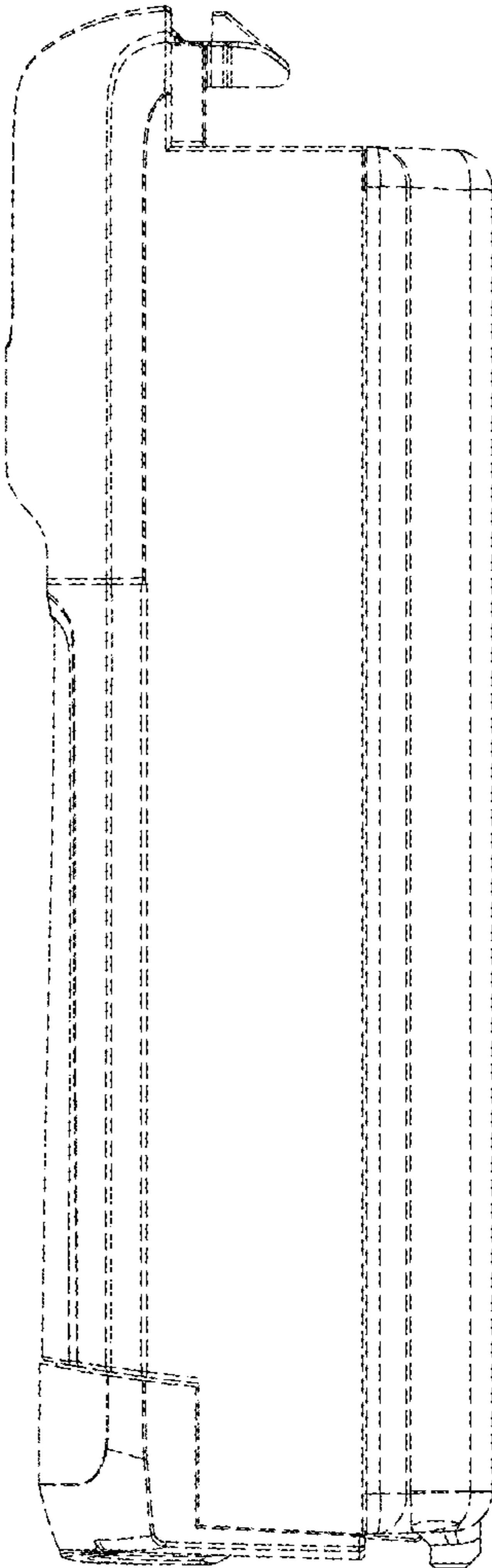


FIG. 4

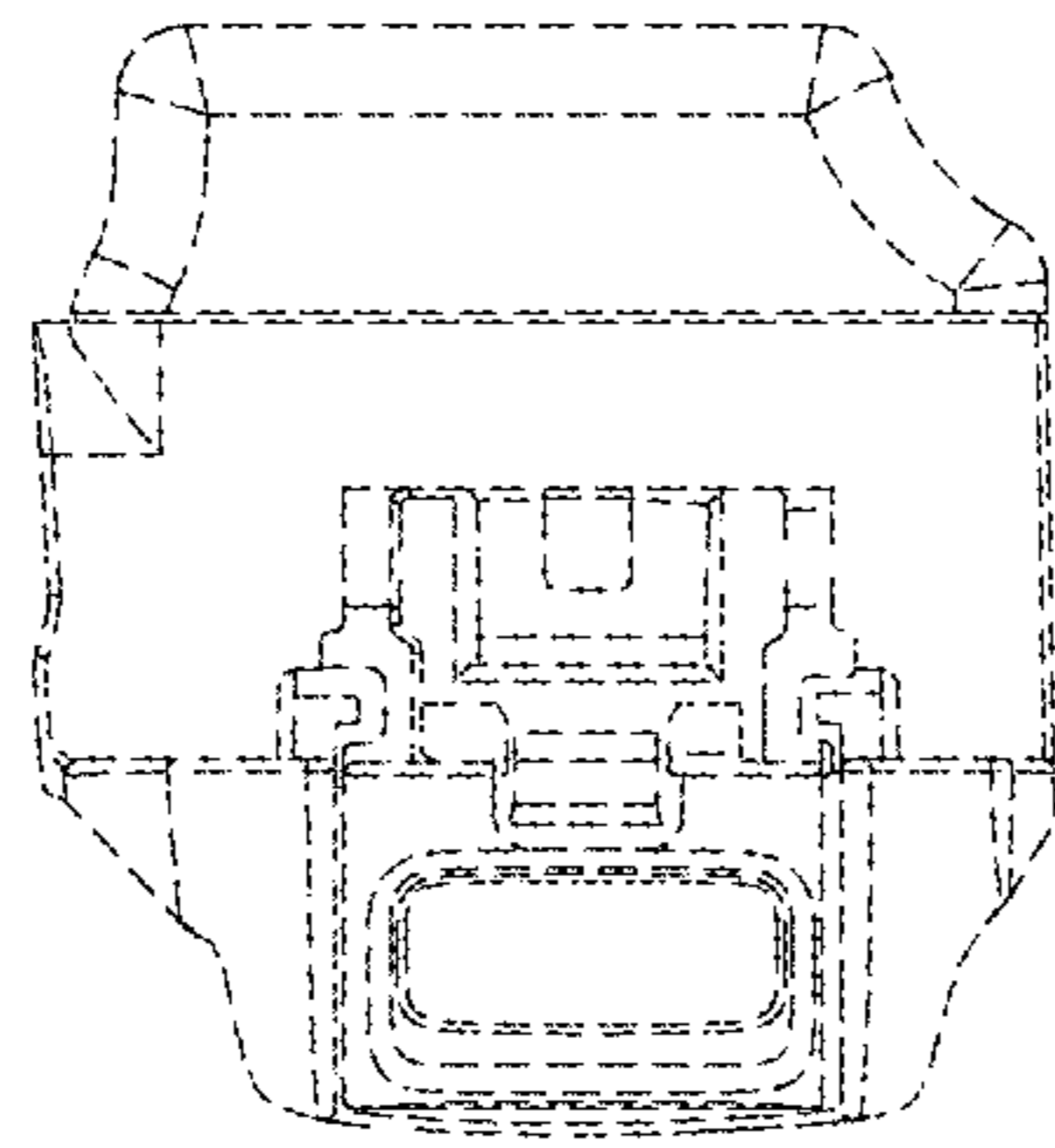


FIG. 5

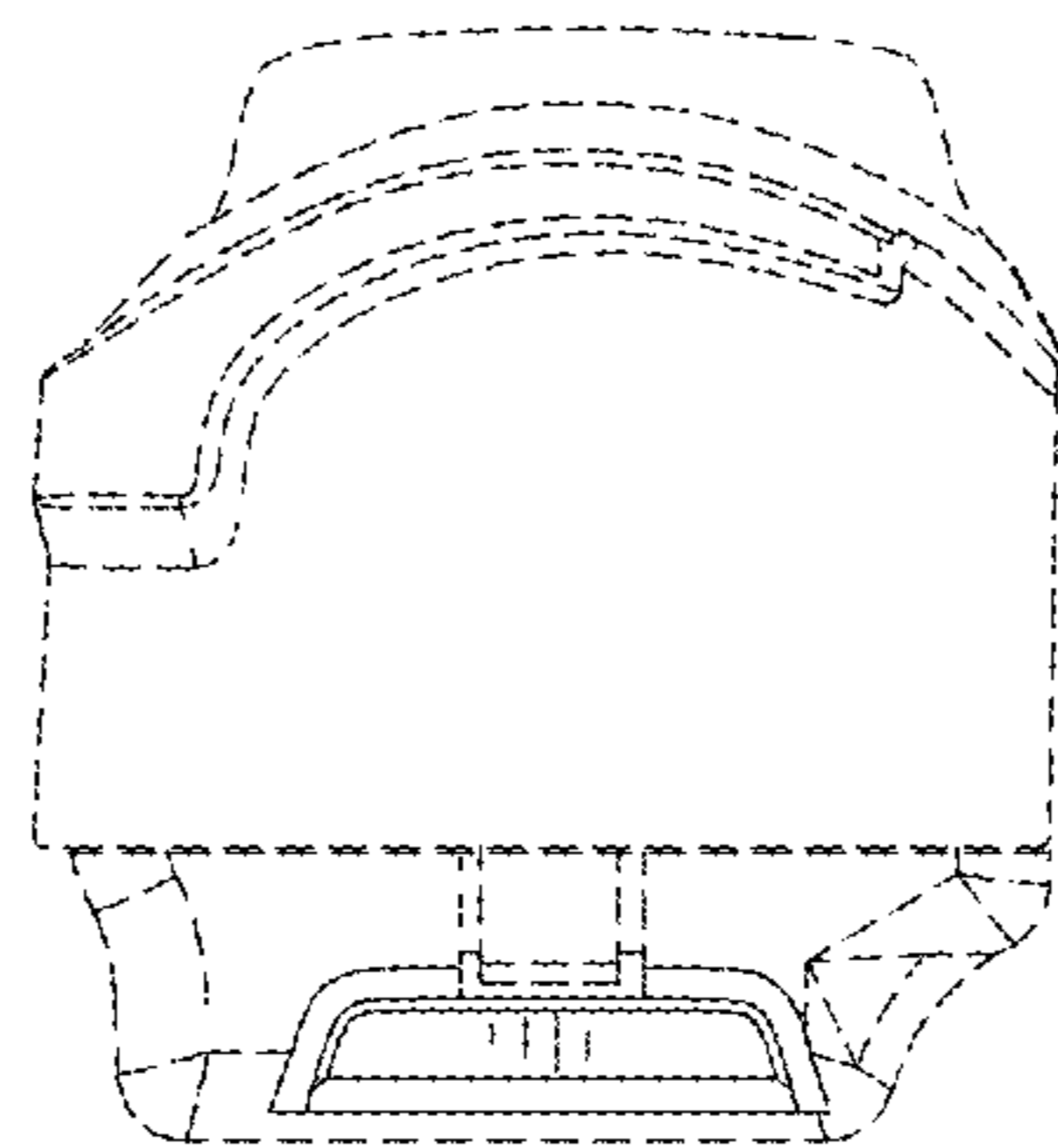


FIG. 6

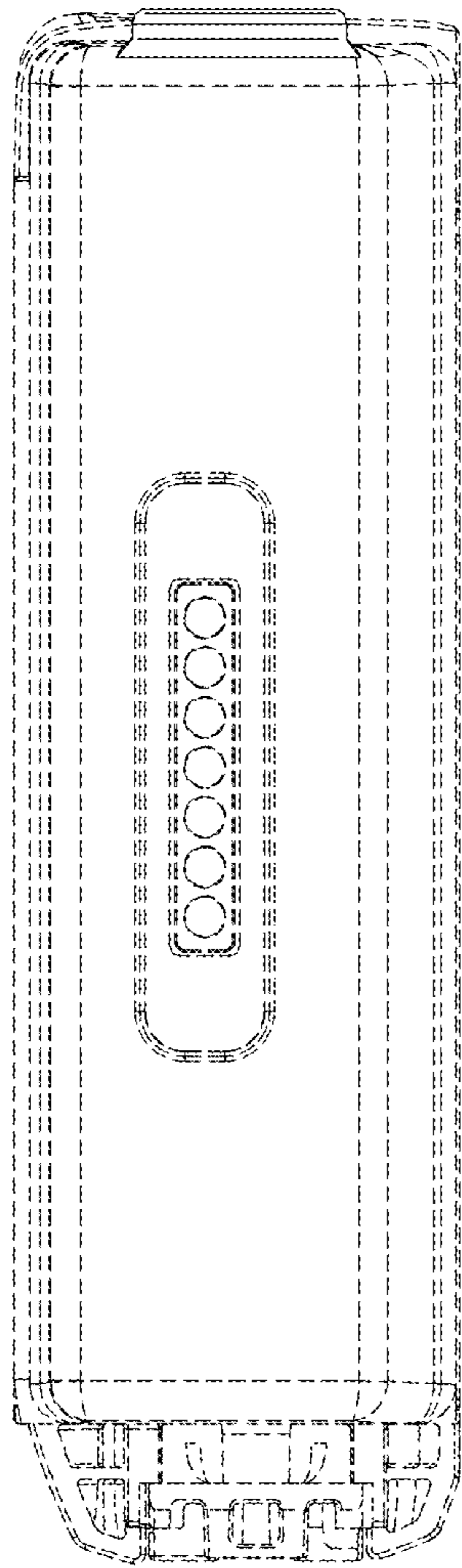


FIG. 7

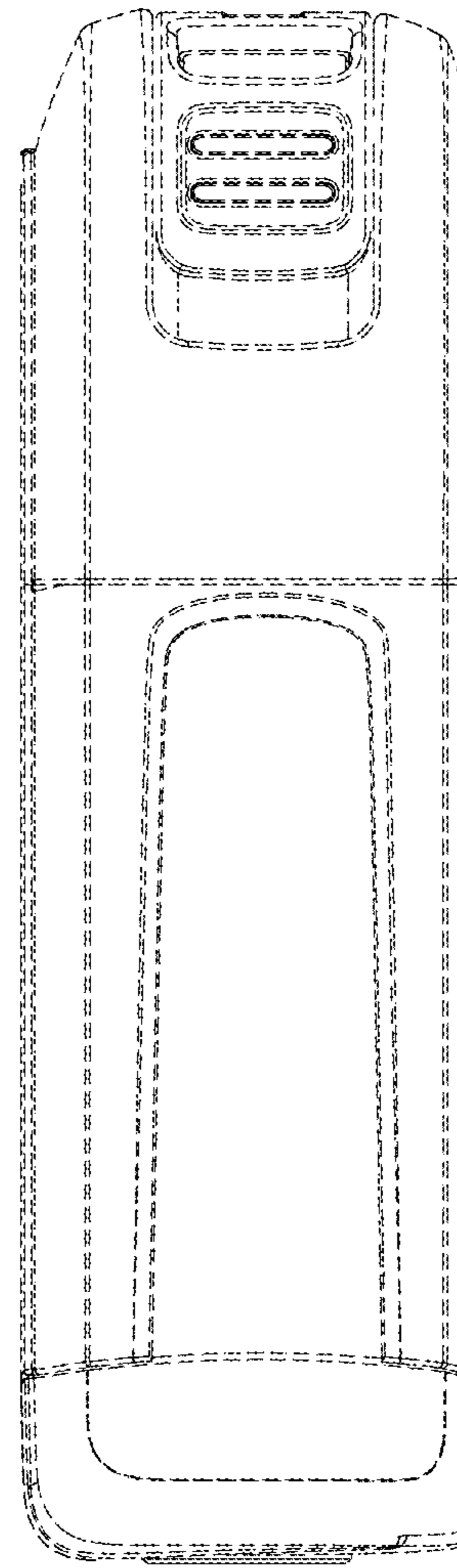


FIG. 8