



US00D836064S

(12) **United States Design Patent** (10) **Patent No.:** **US D836,064 S**
Liu (45) **Date of Patent:** **** Dec. 18, 2018**

(54) **SOLAR POWER BANK**
(71) Applicant: **Shusheng Liu**, Guangdong (CN)
(72) Inventor: **Shusheng Liu**, Guangdong (CN)
(73) Assignee: **Shenzhen LDTEK Technology Co., Ltd.**, Longgang District, Shenzhen (CN)

(**) Term: **15 Years**
(21) Appl. No.: **29/615,536**
(22) Filed: **Aug. 30, 2017**
(51) **LOC (11) Cl.** **13-03**
(52) **U.S. Cl.**
USPC **D13/102**

(58) **Field of Classification Search**
CPC H01L 31/00; H01L 31/02; H01L 31/042; H01L 31/045; H01L 31/046; H01L 31/048; H01L 31/05; H01L 31/052; H01L 31/0525; H01L 25/04; H01L 31/04; H01L 31/024; H02S 30/00; H02S 20/10; H02S 20/23; H02S 20/30; H02S 40/34; H02S 40/44; F24J 2/52; F03G 6/00; Y02E 10/50; Y02E 10/50544
See application file for complete search history.

(56) **References Cited**
U.S. PATENT DOCUMENTS
D711,819 S * 8/2014 To D13/108
D742,310 S * 11/2015 Yen D13/108

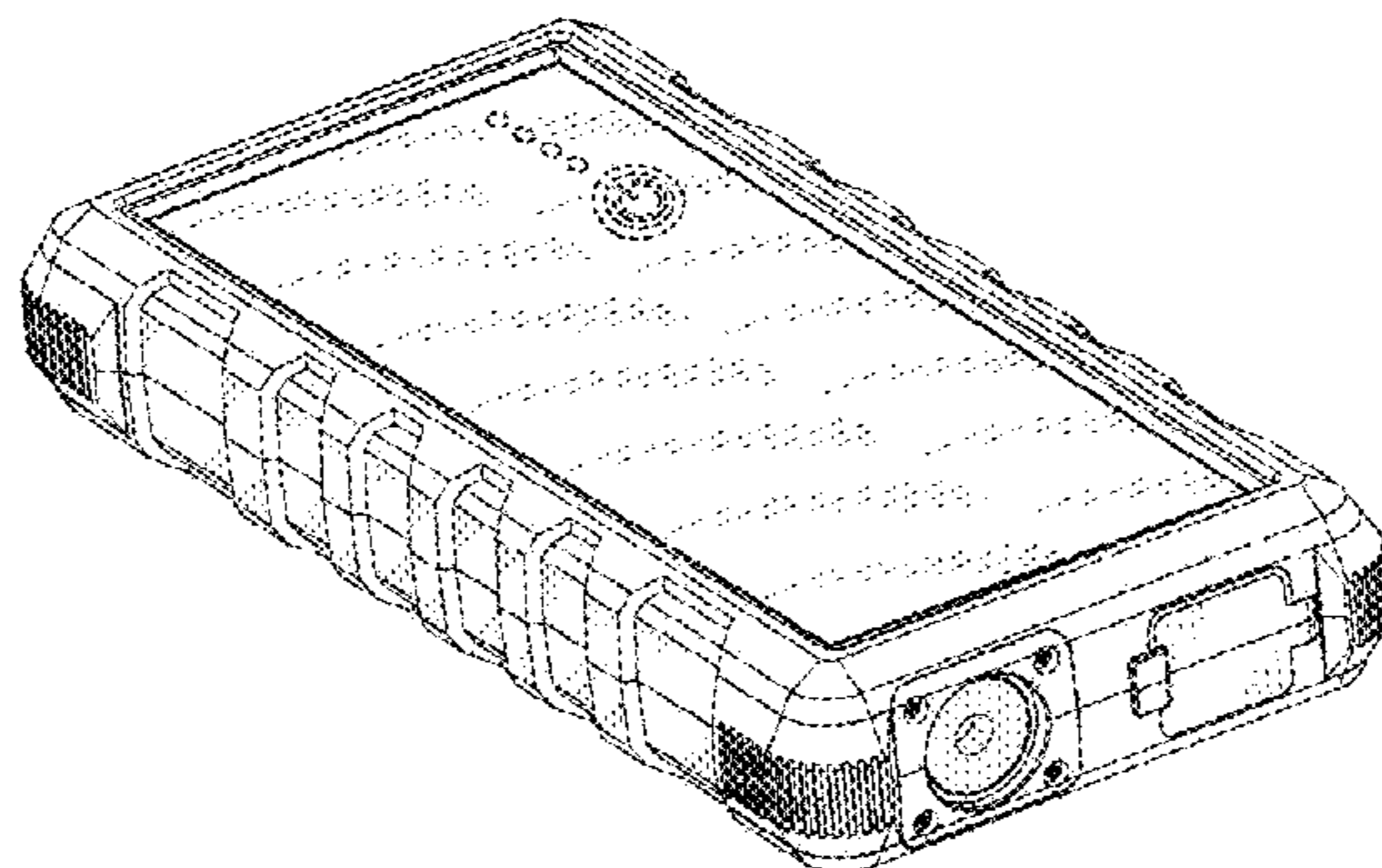
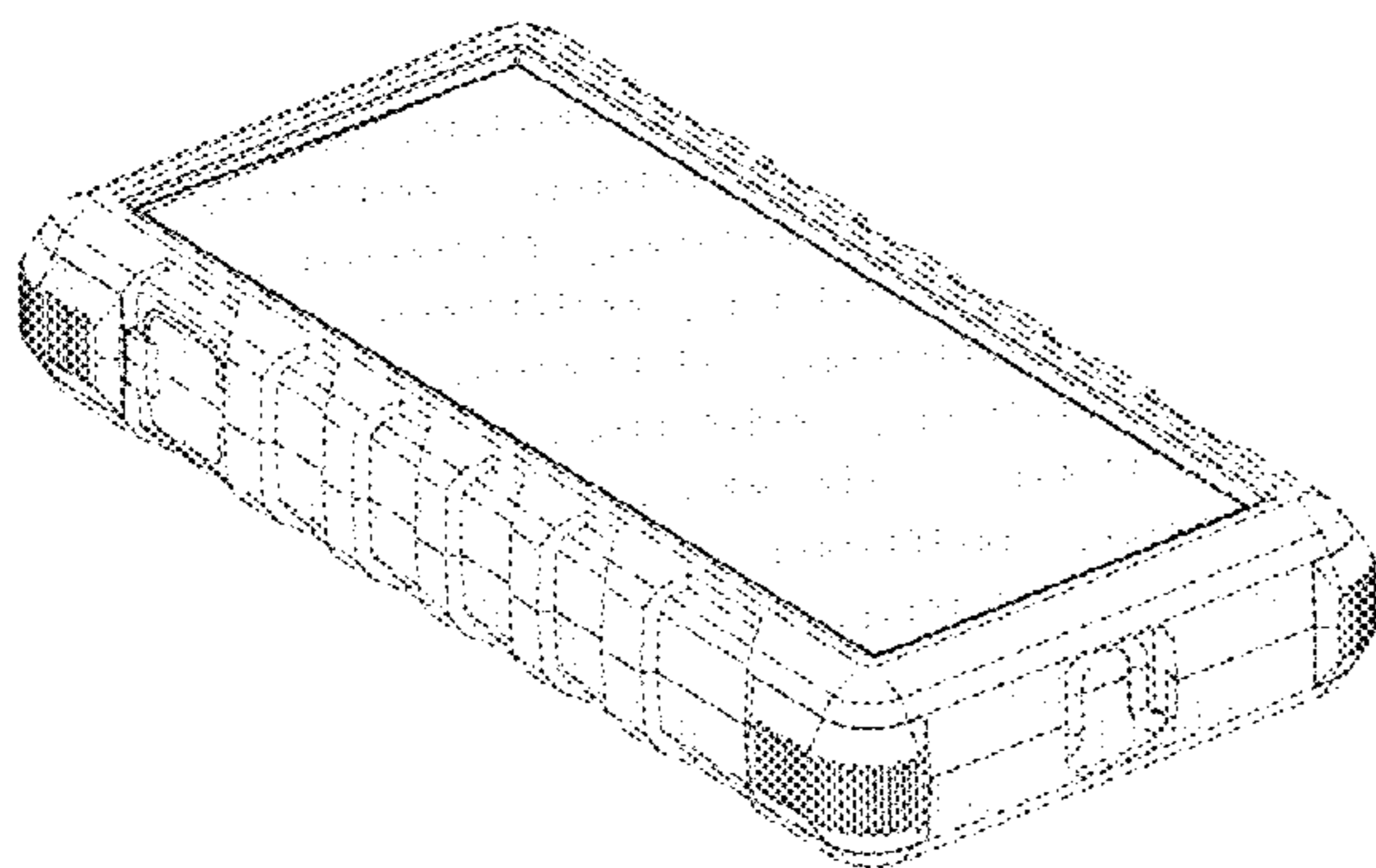
D745,455 S * 12/2015 Nook D13/103
D746,770 S * 1/2016 Nook D13/103
D747,263 S * 1/2016 Lafferty D13/102

* cited by examiner
Primary Examiner — Daniel D Bui

(57) **CLAIM**
I claim the ornamental design for a solar power bank, as shown and described.

DESCRIPTION
FIG. 1 is a front, bottom and right side perspective view of a solar power bank showing my new design;
FIG. 2 is a front elevational view thereof;
FIG. 3 is a rear elevational view thereof;
FIG. 4 is a left side elevational view thereof;
FIG. 5 is a right side elevational view thereof;
FIG. 6 is a top plan view thereof;
FIG. 7 is a bottom plan view thereof; and,
FIG. 8 is a rear, top and left side perspective view thereof.
The broken lines shown in drawings are for the purpose of illustrating portions of the solar power bank and form no part of the claimed design.

1 Claim, 8 Drawing Sheets



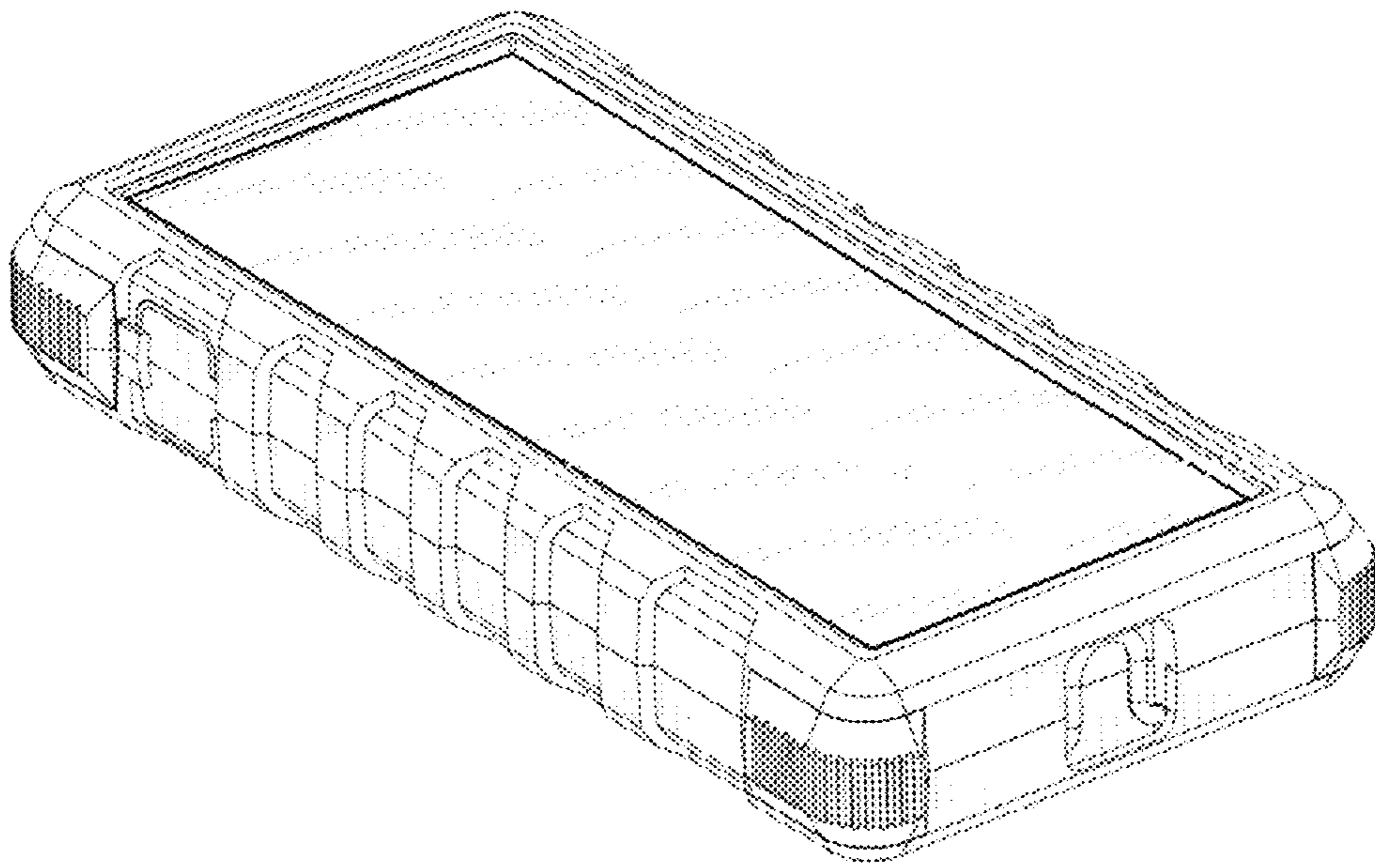


FIG. 1

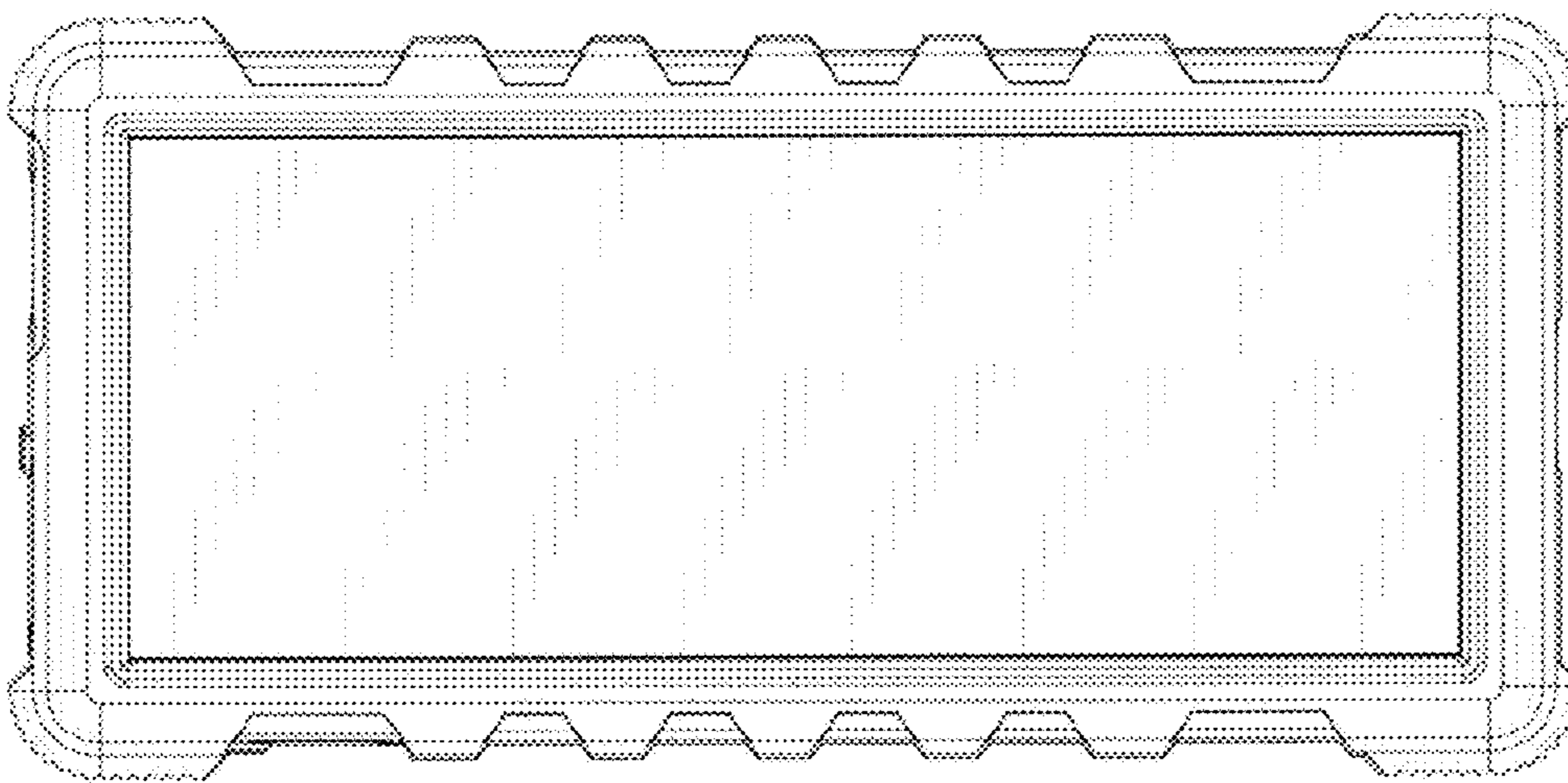


FIG. 2

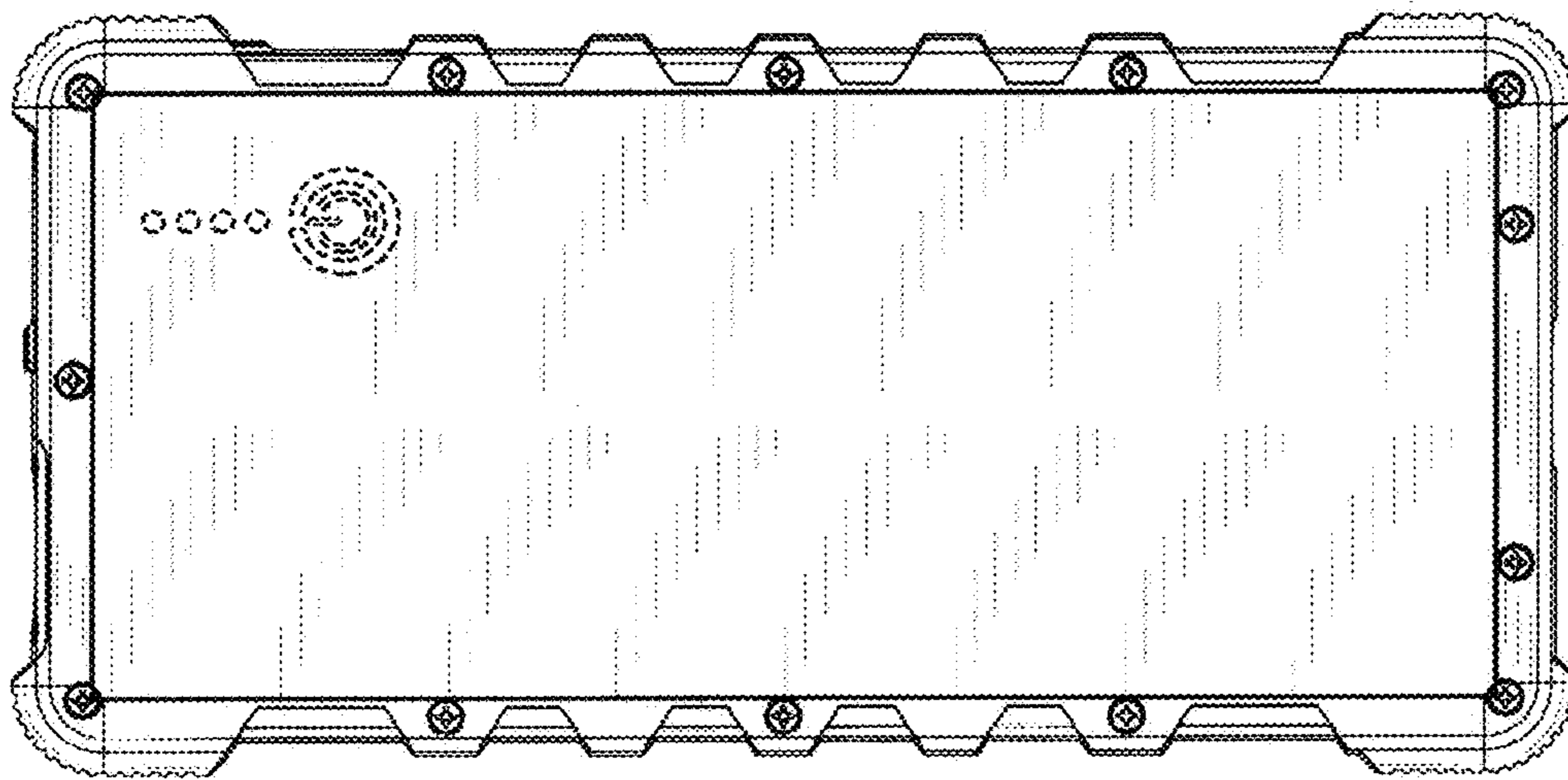


FIG. 3

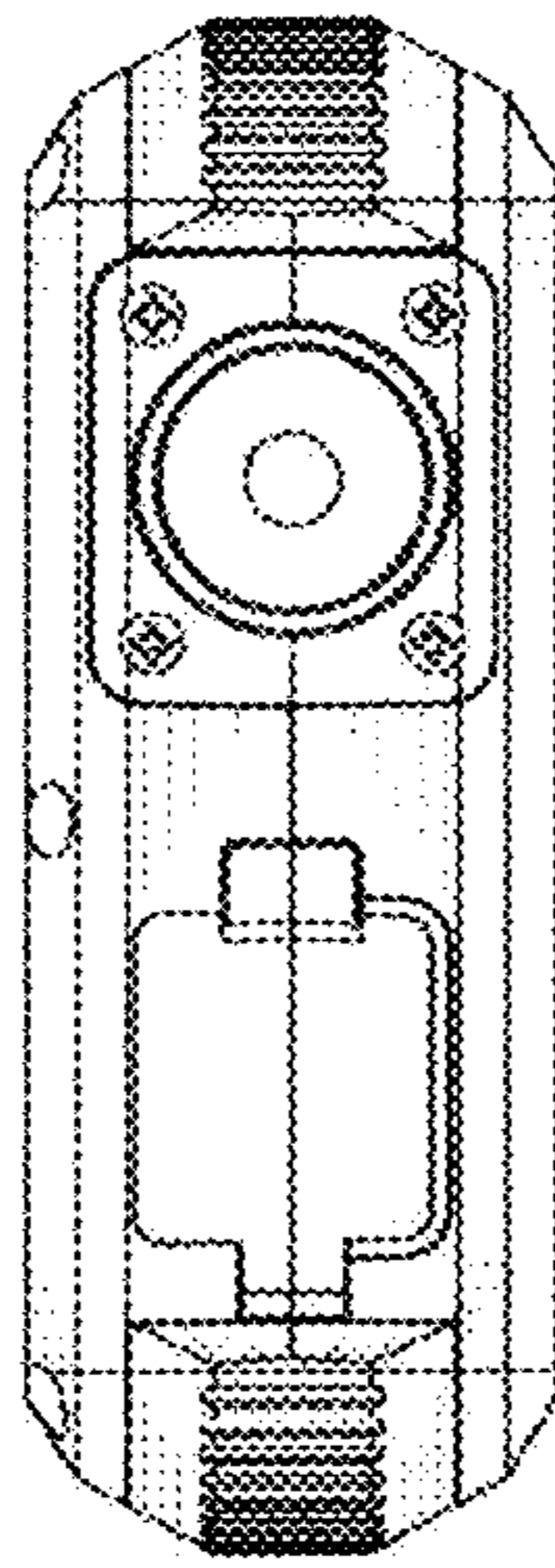


FIG. 4

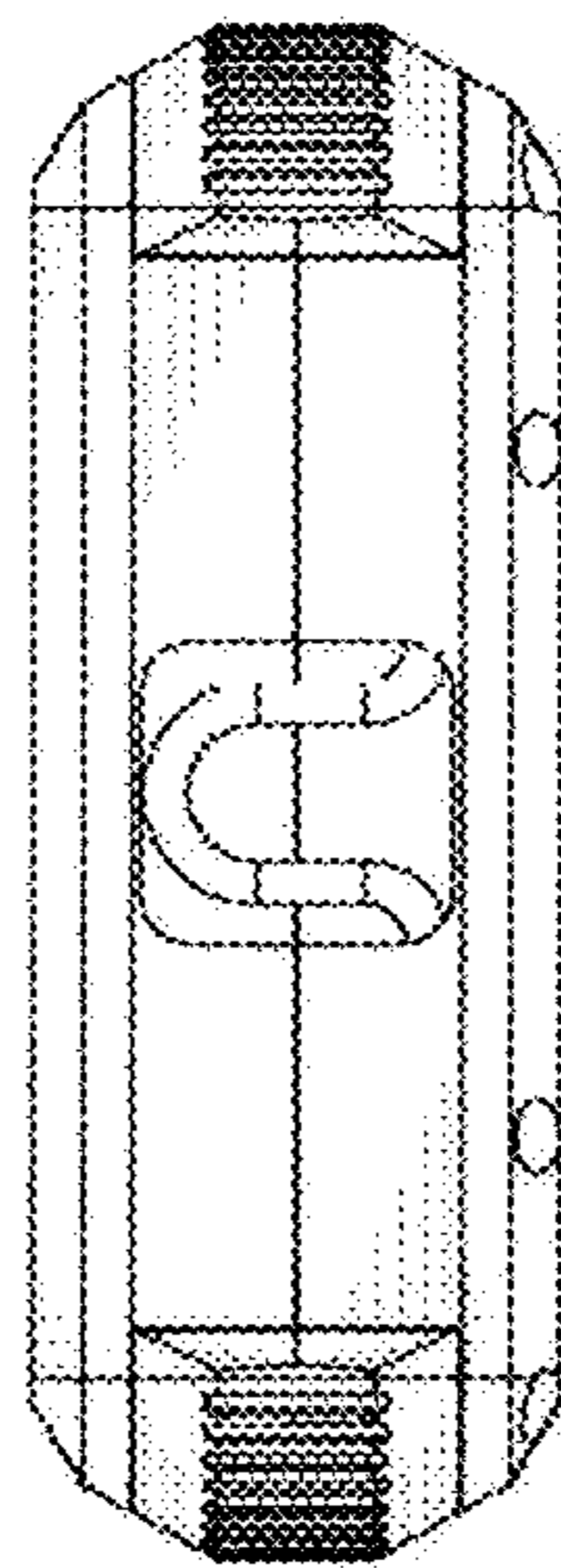


FIG. 5

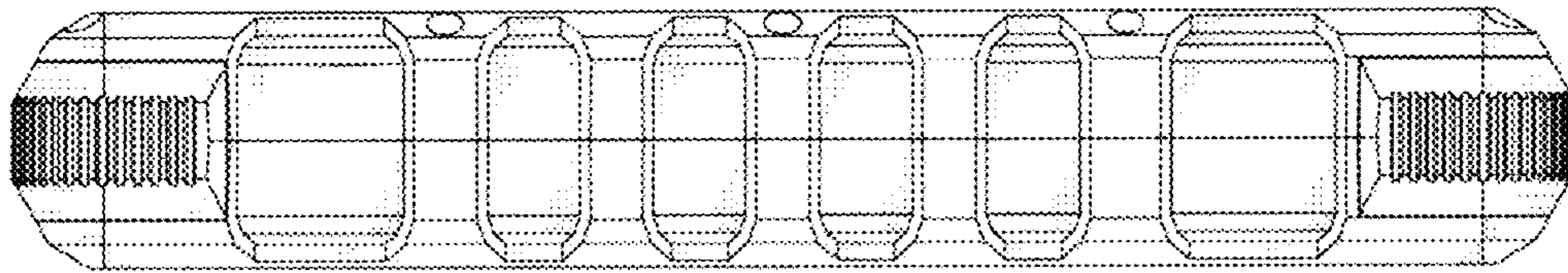


FIG. 6

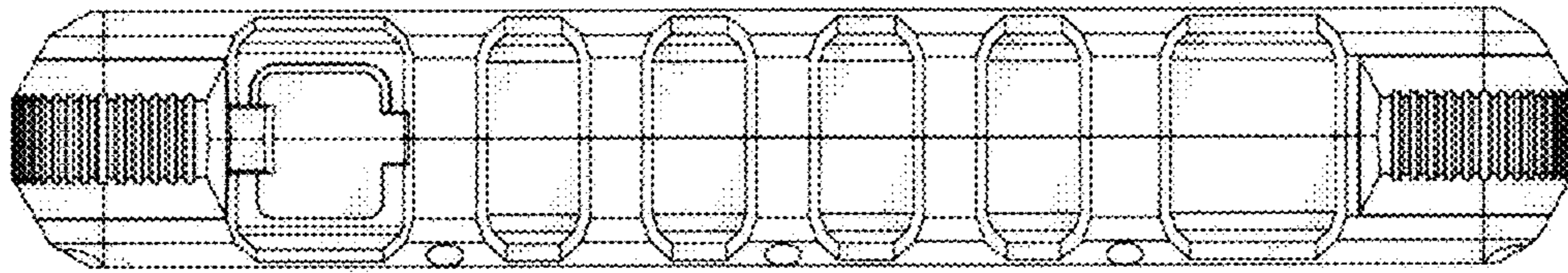


FIG. 7

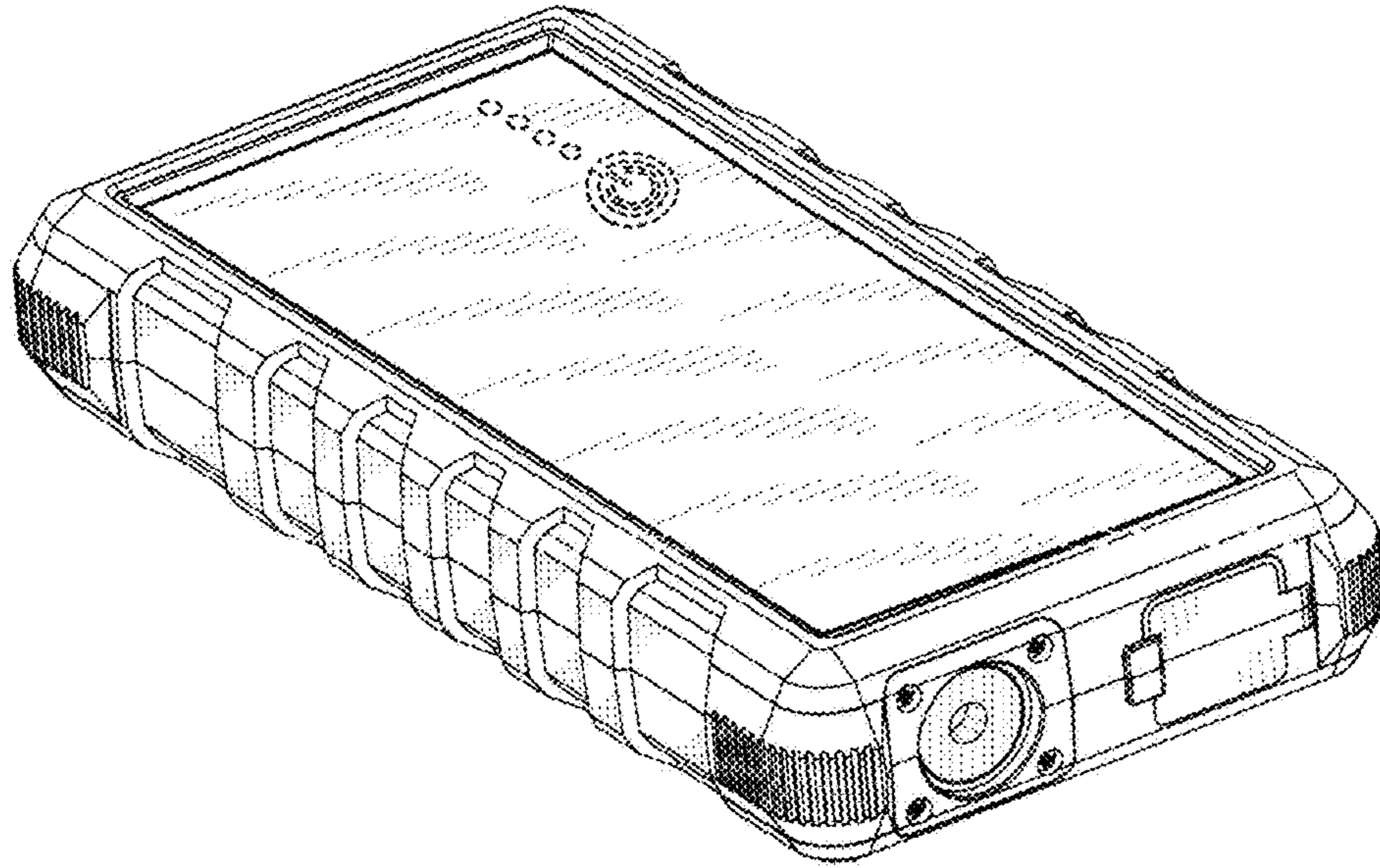


FIG. 8