

US00D836061S

(12) **United States Design Patent** (10) **Patent No.:** **US D836,061 S**  
**Petr** (45) **Date of Patent:** **\*\* Dec. 18, 2018**

- (54) **TIRE TREAD**
- (71) Applicant: **COOPER TIRE & RUBBER COMPANY**, Findlay, OH (US)
- (72) Inventor: **Matthew J. Petr**, Findlay, OH (US)
- (73) Assignee: **COOPER TIRE & RUBBER COMPANY**, Findlay, OH (US)
- (\*\*) Term: **15 Years**
- (21) Appl. No.: **29/598,063**
- (22) Filed: **Mar. 22, 2017**
- (51) **LOC (11) Cl.** ..... **12-15**
- (52) **U.S. Cl.**  
USPC ..... **D12/521**
- (58) **Field of Classification Search**  
USPC ..... D12/500–532, 604  
CPC ..... Y10T 152/10027; B60C 1/0016; B60C 11/0306; B60C 11/0302; B60C 3/06; B60C 9/17  
See application file for complete search history.

(56) **References Cited**

U.S. PATENT DOCUMENTS

D432,957 S *	10/2000	Ricquet	.....	D12/521
D558,125 S *	12/2007	Miyabe	.....	D12/518
D597,474 S	8/2009	Yamakawa et al.		
D629,739 S	12/2010	Youn		
D630,997 S *	1/2011	Wright	.....	D12/516
D634,262 S *	3/2011	Kujime	.....	D12/521
D646,626 S	10/2011	Murata		
D647,454 S *	10/2011	Fabing	.....	D12/518
D650,734 S	12/2011	Mita et al.		
D654,848 S	2/2012	Yonetsu		
D660,222 S	5/2012	Kim et al.		
D713,325 S	9/2014	Maxwell et al.		
D718,219 S *	11/2014	Berzins	.....	D12/516
D719,079 S	12/2014	Horiuchi et al.		
D728,452 S *	5/2015	Sano	.....	D12/521

D731,954 S	6/2015	Pribula et al.		
D731,955 S	6/2015	Zhao et al.		
D733,635 S	7/2015	Digman et al.		
D735,637 S	8/2015	Hughes et al.		
D737,751 S *	9/2015	Bourel	.....	D12/521
D753,049 S	4/2016	Koishikawa		
D755,111 S	5/2016	Yang et al.		

(Continued)

*Primary Examiner* — Brandon M Rosati

*Assistant Examiner* — John A Voytek

(74) *Attorney, Agent, or Firm* — Fay Sharpe LLP

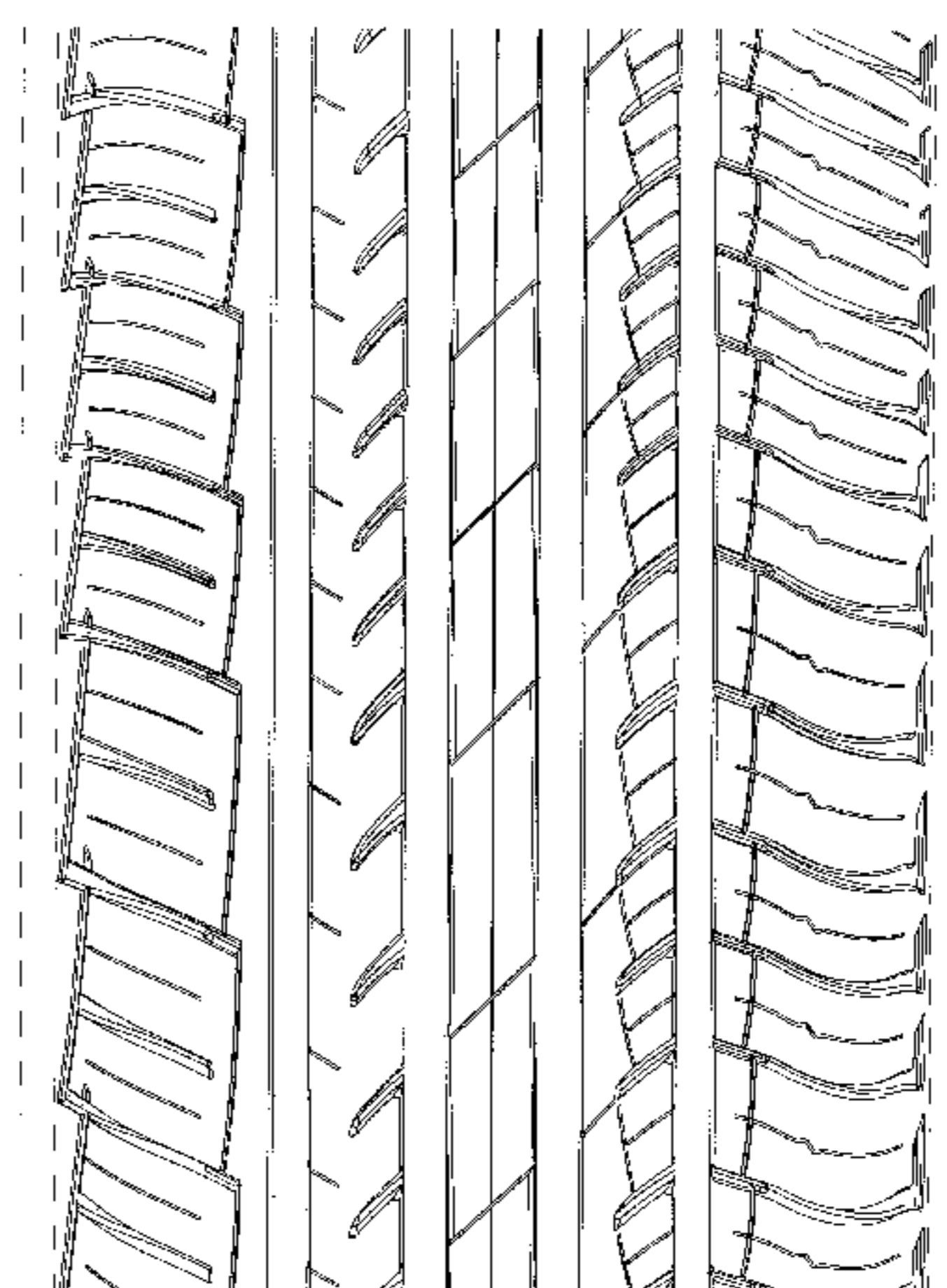
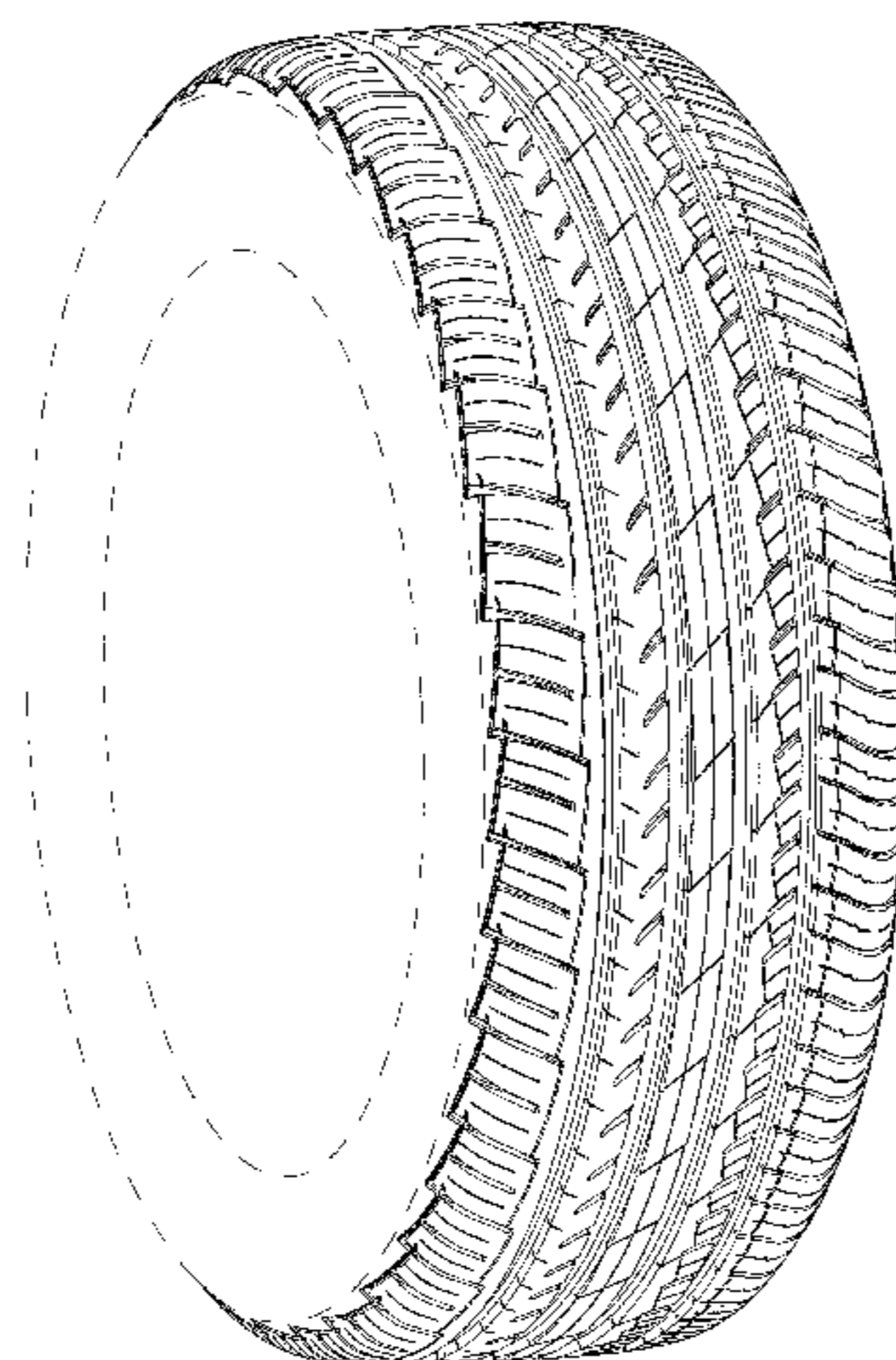
(57) **CLAIM**

The ornamental design for a tire tread, as shown and described.

**DESCRIPTION**

FIG. 1 is a perspective view of a tire tread of the present application;  
 FIG. 2 is a perspective view thereof taken from a second side;  
 FIG. 3 is front view thereof;  
 FIG. 4 is a side view thereof;  
 FIG. 5 is a side view of the second side;  
 FIG. 6 is an enlarged partial perspective view of FIG. 1 (the first side);  
 FIG. 7 is an enlarged partial perspective view of FIG. 2 (the second side);  
 FIG. 8 is an enlarged partial front view thereof;  
 FIG. 9 is an enlarged partial side view of FIG. 4 (the first side); and,  
 FIG. 10 is an enlarged partial side view of FIG. 5 (the second side).  
 The region between the inner bead and the sidewall and including the broken line showings that define this region depict subject matter that forms no part of the claimed tire tread design, and is included for the purpose of illustrating the full tire. The tread pattern is understood to repeat throughout the circumference of the tire.

**1 Claim, 10 Drawing Sheets**



(56)

**References Cited**

U.S. PATENT DOCUMENTS

D768,055 S	10/2016	Wang et al.	
D795,792 S *	8/2017	Liu .....	D12/521
D803,148 S *	11/2017	Hayashi .....	D12/521
D806,003 S *	12/2017	Pribula .....	D12/521

\* cited by examiner

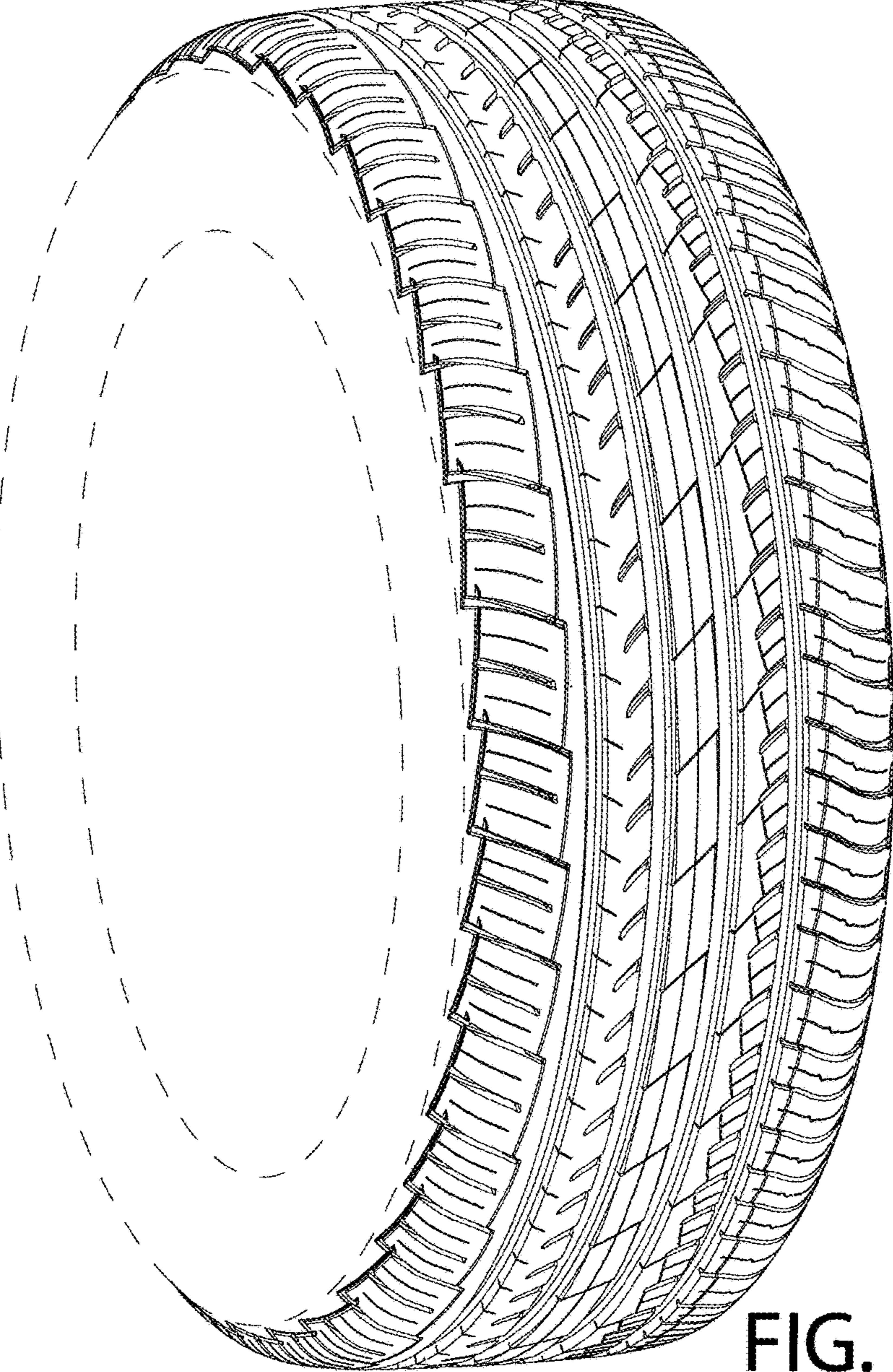


FIG. 1



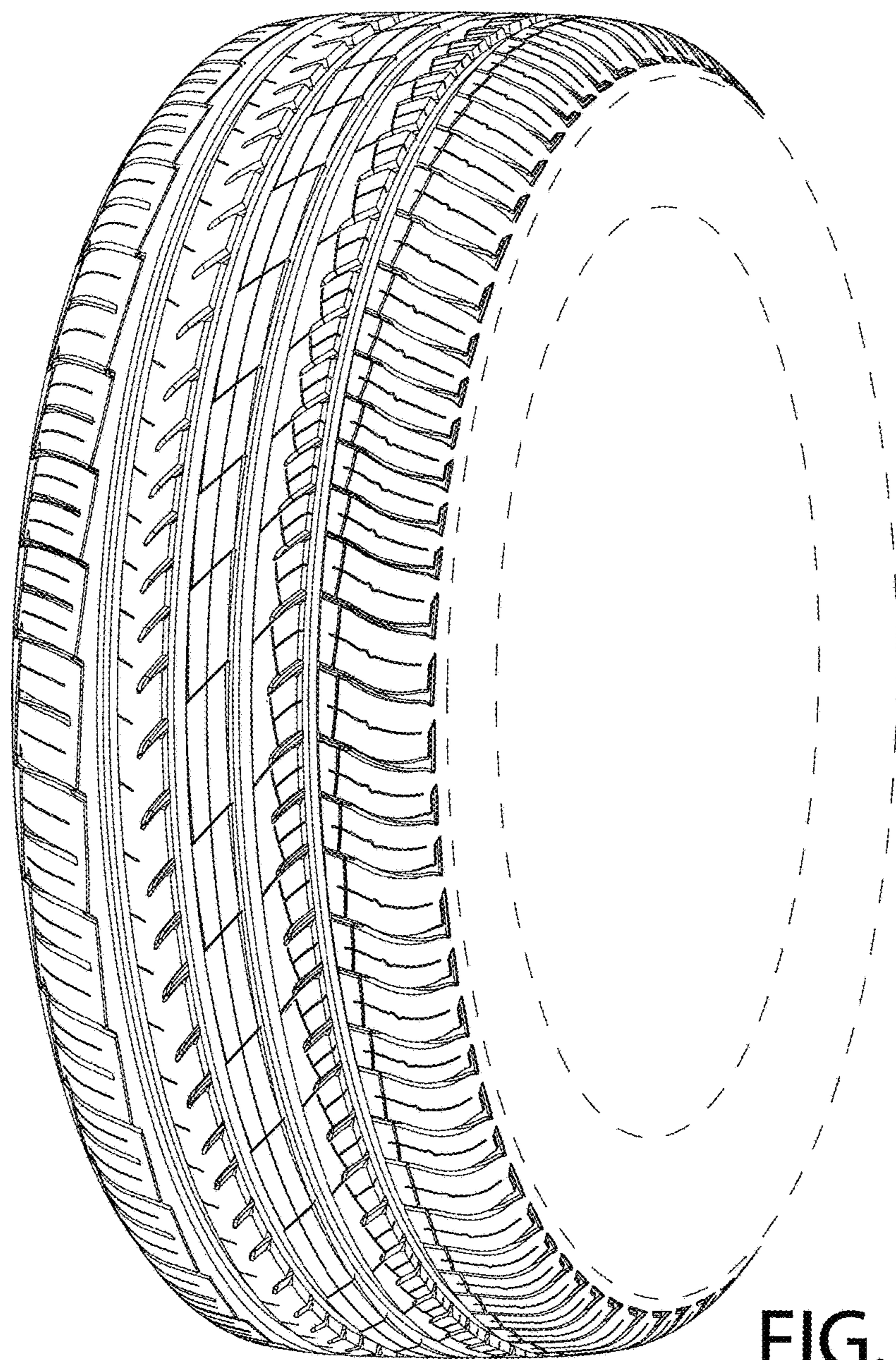


FIG. 2

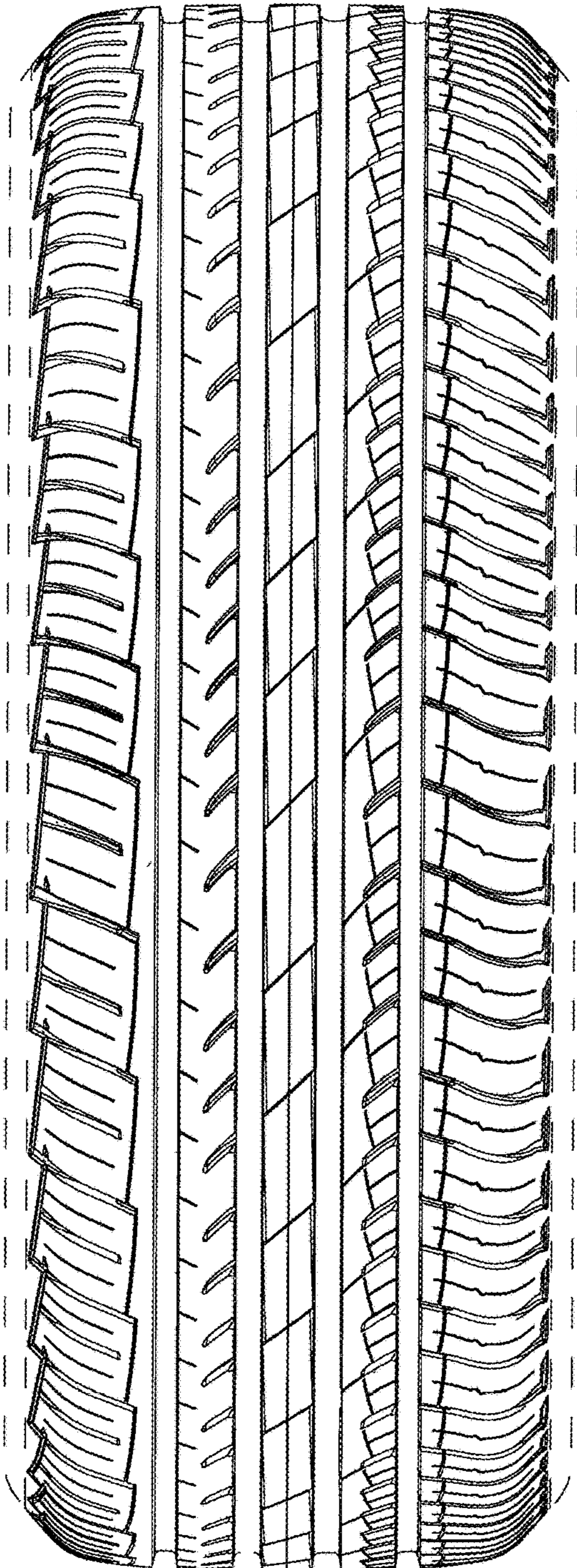


FIG. 3



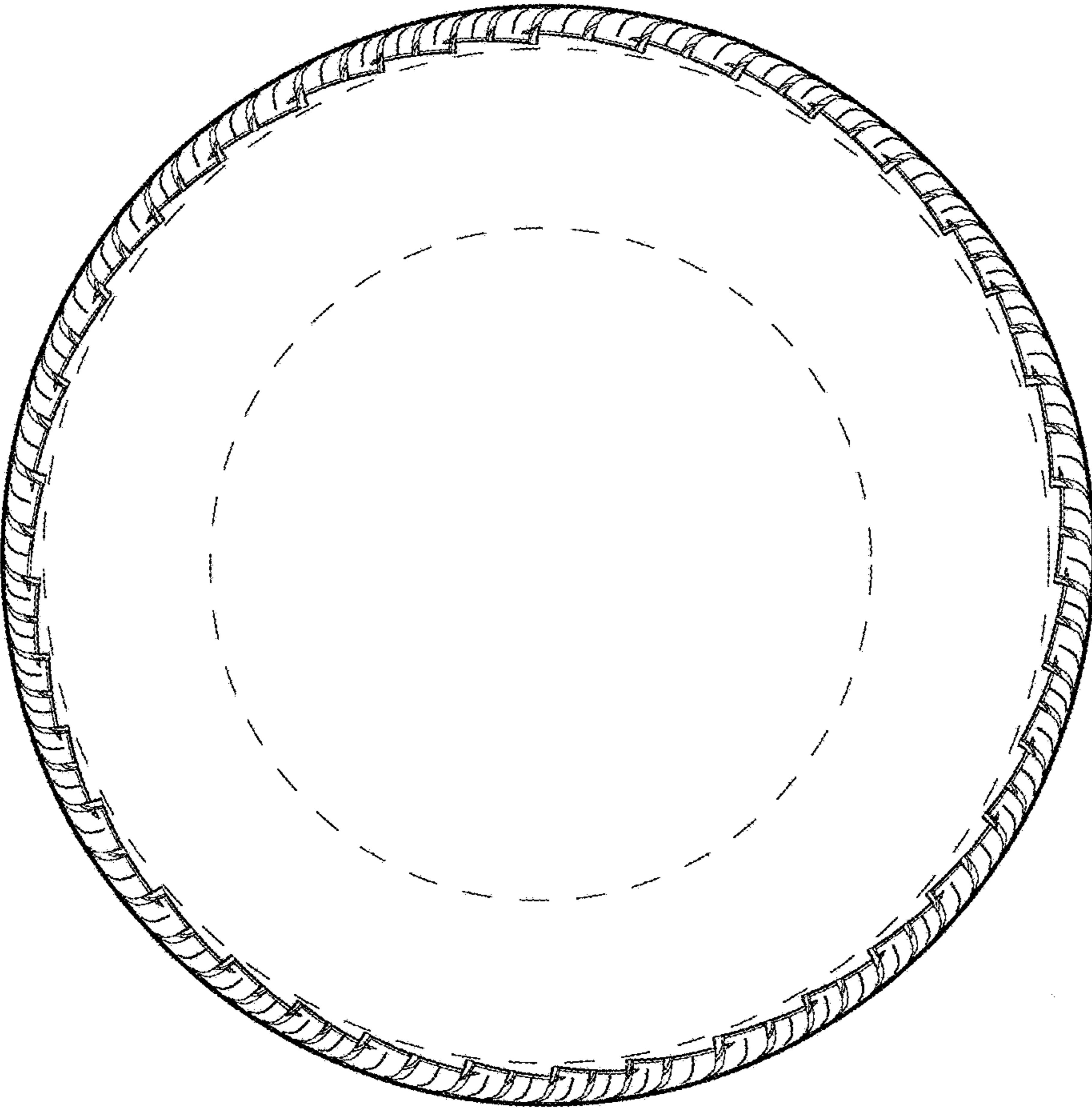


FIG. 4

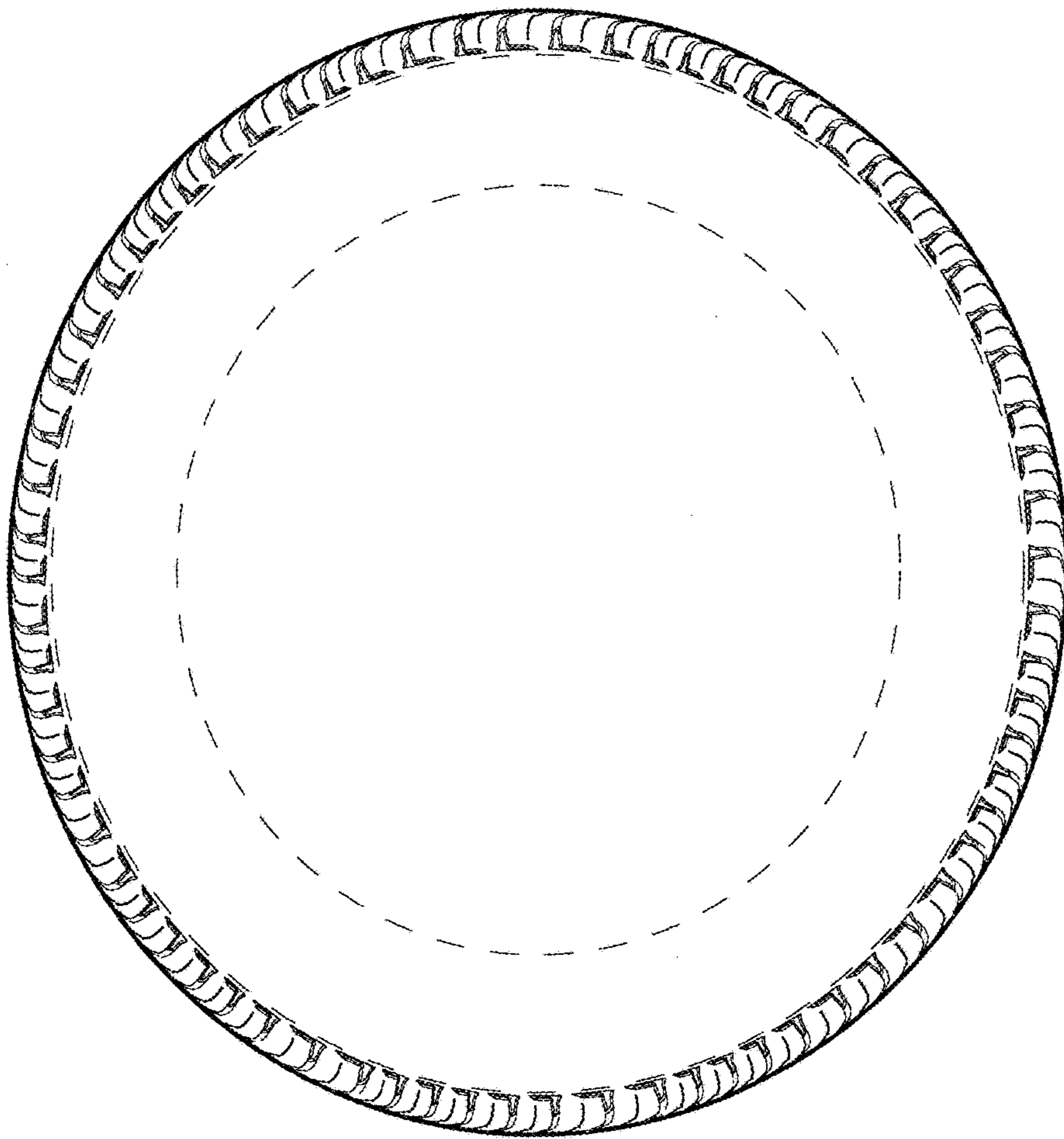


FIG. 5

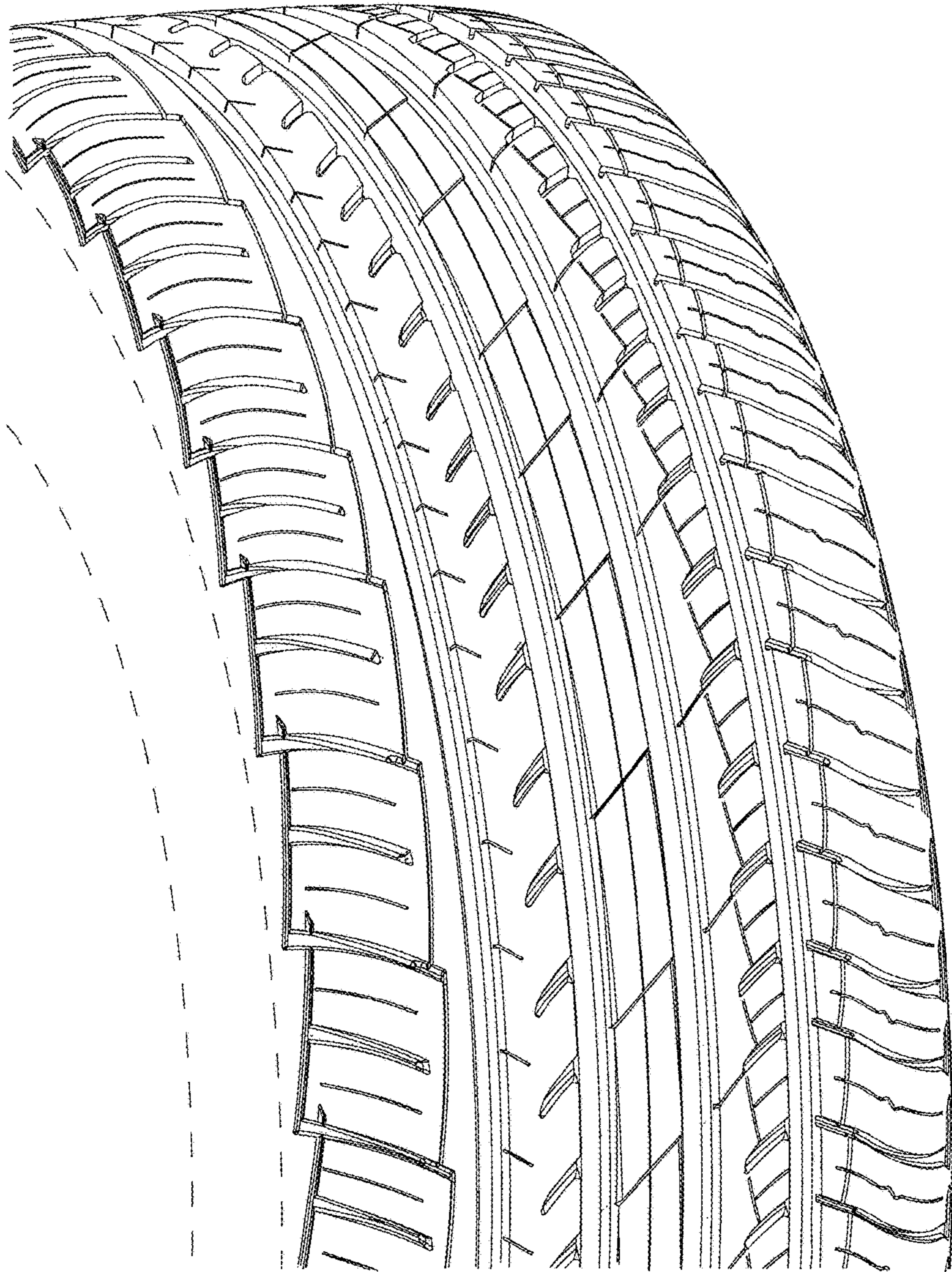


FIG. 6



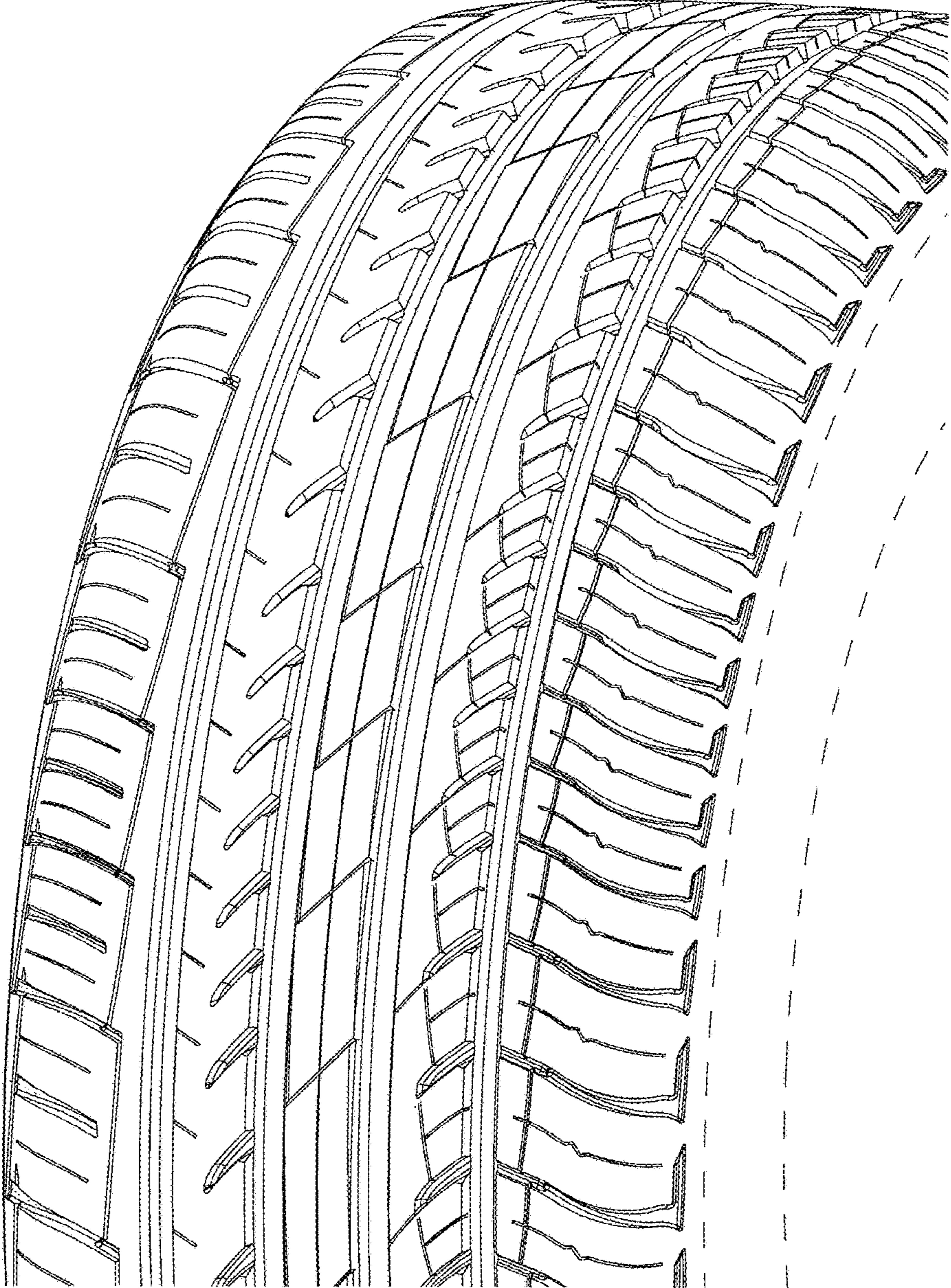


FIG. 7

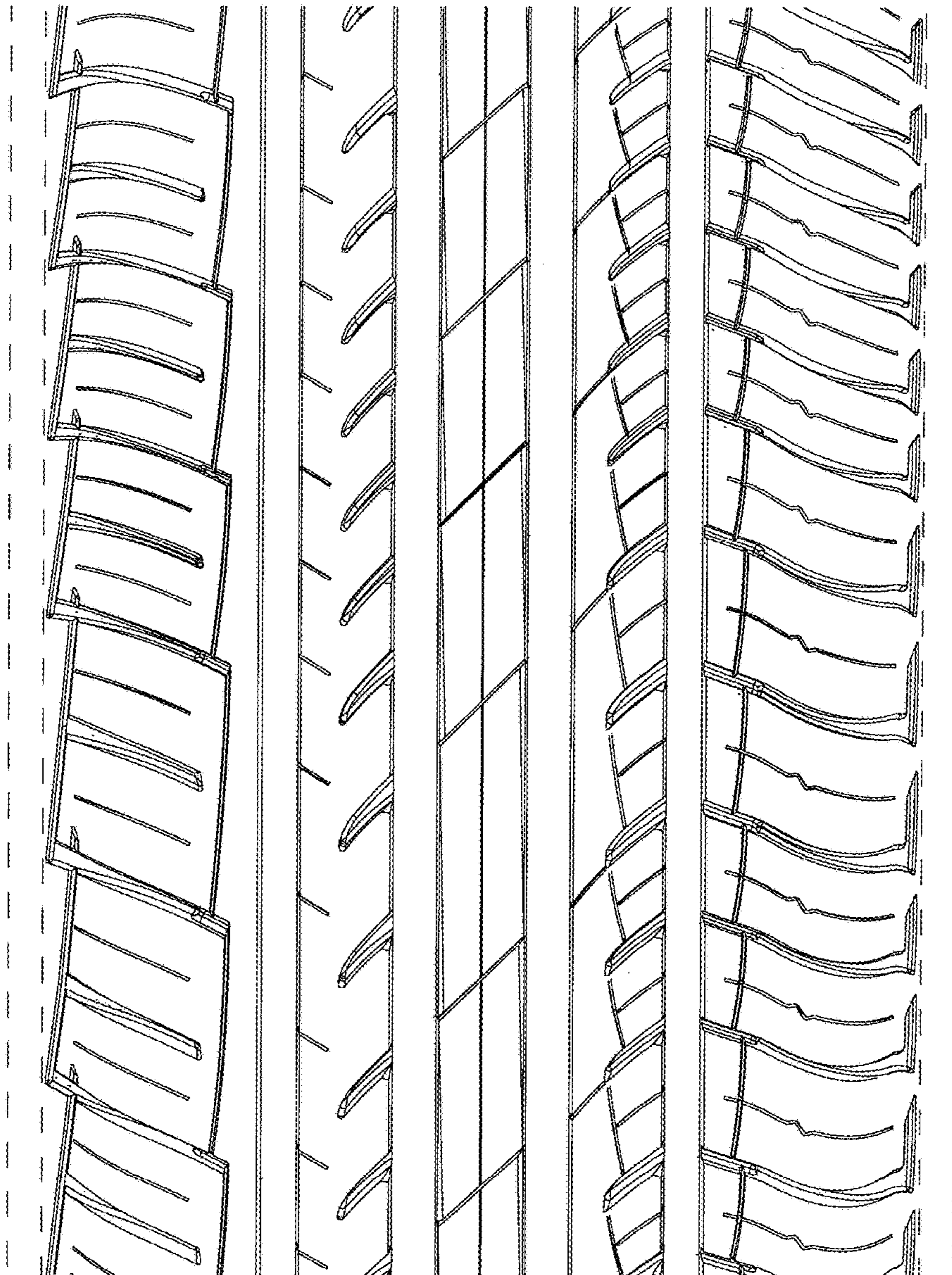


FIG. 8



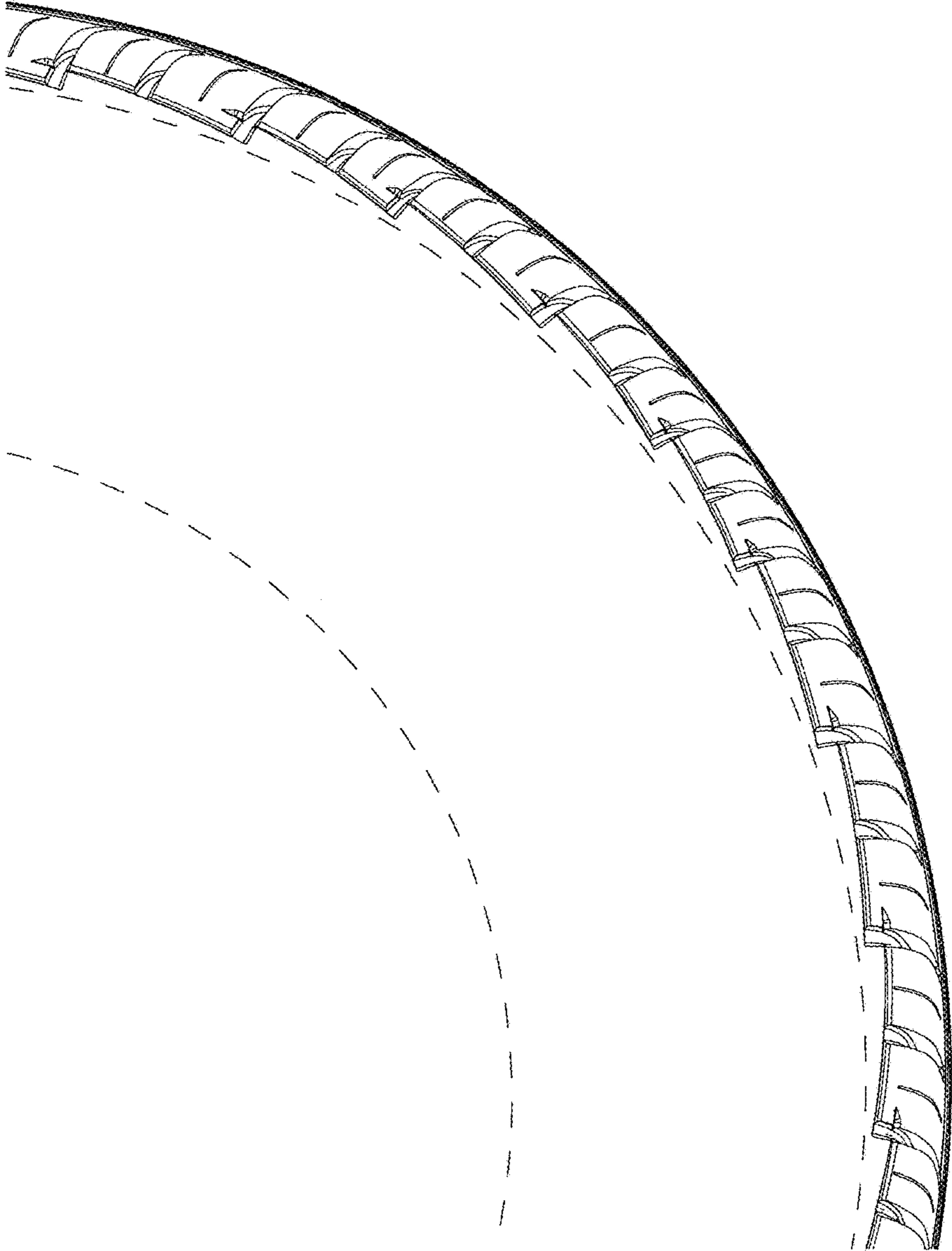


FIG. 9

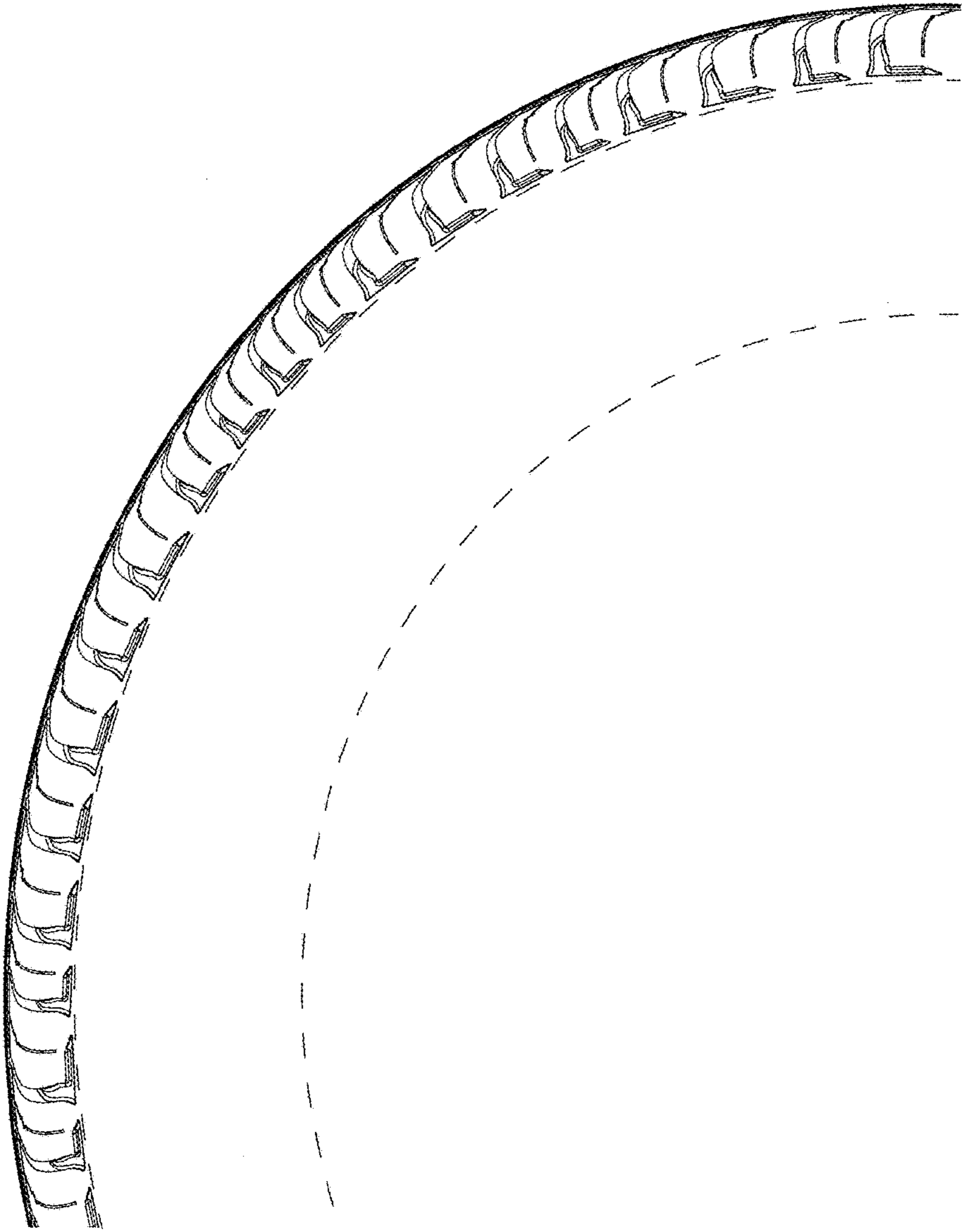


FIG. 10