



US00D836059S

(12) **United States Design Patent** (10) **Patent No.:** **US D836,059 S**
Takagi et al. (45) **Date of Patent:** **** Dec. 18, 2018**

(54) **CENTER CONSOLE FOR AN AUTOMOBILE**

(71) Applicant: **Subaru Corporation**, Tokyo (JP)

(72) Inventors: **Souta Takagi**, Tokyo (JP); **Tatsuma Ariga**, Tokyo (JP)

(73) Assignee: **Subaru Corporation**, Tokyo (JP)

(**) Term: **15 Years**

(21) Appl. No.: **29/617,270**

(22) Filed: **Sep. 13, 2017**

(30) **Foreign Application Priority Data**

Mar. 13, 2017 (JP) 2017-005050

(51) **LOC (11) Cl.** **12-16**

(52) **U.S. Cl.**
USPC **D12/415**

(58) **Field of Classification Search**
USPC D12/415-420, 400, 195, 191, 106, 345,
D12/96, 99
CPC B60R 7/04; B60R 7/06; B60R 7/08
See application file for complete search history.

(56) **References Cited**

U.S. PATENT DOCUMENTS

D448,720 S * 10/2001 Nash D12/192
D522,957 S * 6/2006 Miyashita D12/415

D656,457 S * 3/2012 Crepeau D12/419
D725,583 S * 3/2015 Seki D12/419
D766,812 S * 9/2016 Kabata D12/423
D770,361 S * 11/2016 Chan D12/419
D770,968 S * 11/2016 Willis D12/415
D788,020 S * 5/2017 Yaguchi D12/415
D808,330 S * 1/2018 Kuwahara D12/419
D811,988 S * 3/2018 Lee D12/419

* cited by examiner

Primary Examiner — Abraham Bahta

(74) *Attorney, Agent, or Firm* — Schiff Hardin LLP

(57) **CLAIM**

We claim the ornamental design for a center console for an automobile, as shown and described.

DESCRIPTION

FIG. 1 is a front perspective view for a “center console for an automobile” showing my new design, FIG. 2 is a rear perspective view thereof, FIG. 3 is a front view thereof, FIG. 4 is a rear view thereof, FIG. 5 is a top view thereof, FIG. 6 is a bottom view thereof, FIG. 7 is a left-side view thereof; and, FIG. 8 is a right-side view thereof.

1 Claim, 8 Drawing Sheets

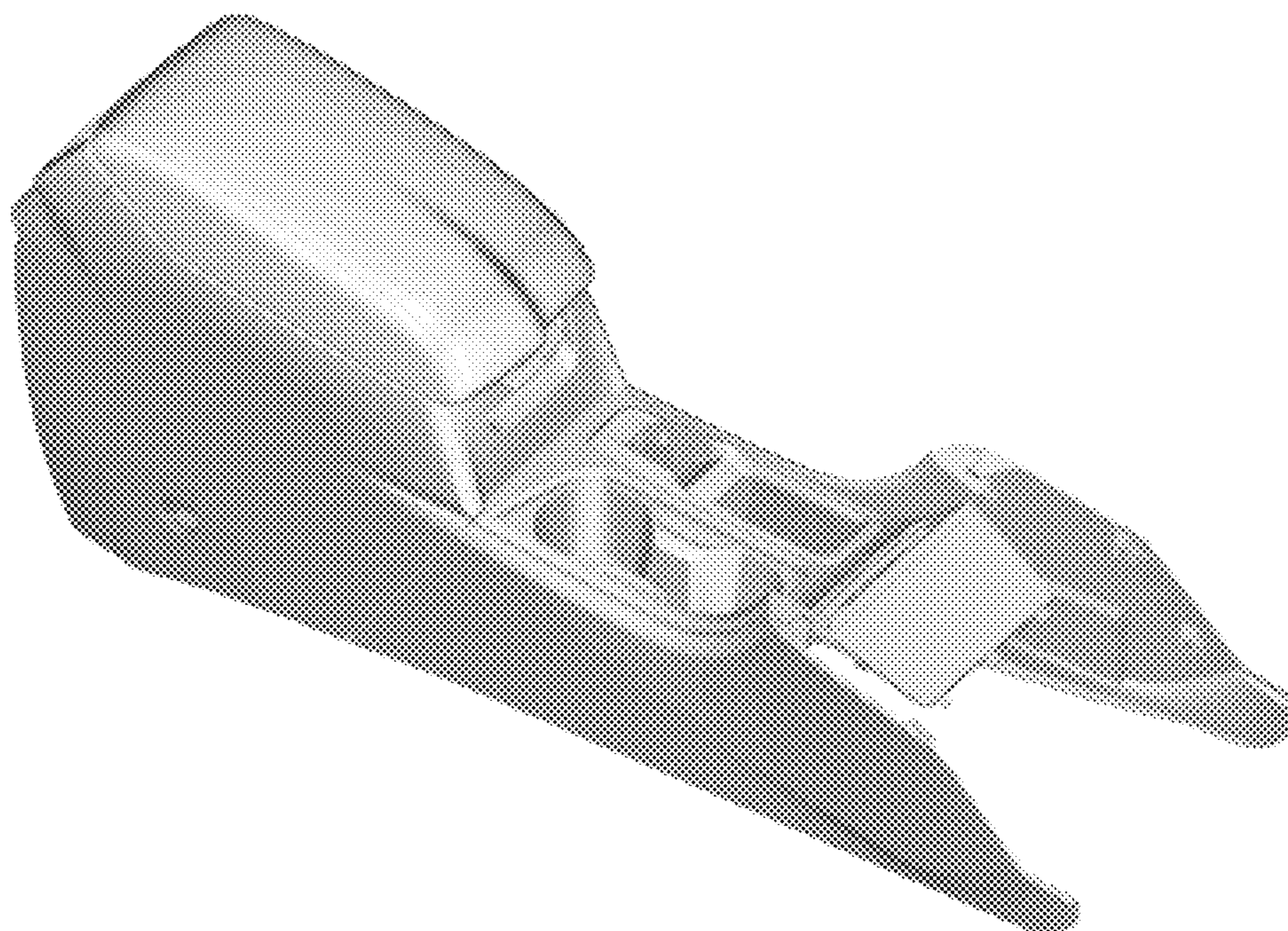


Fig. 1

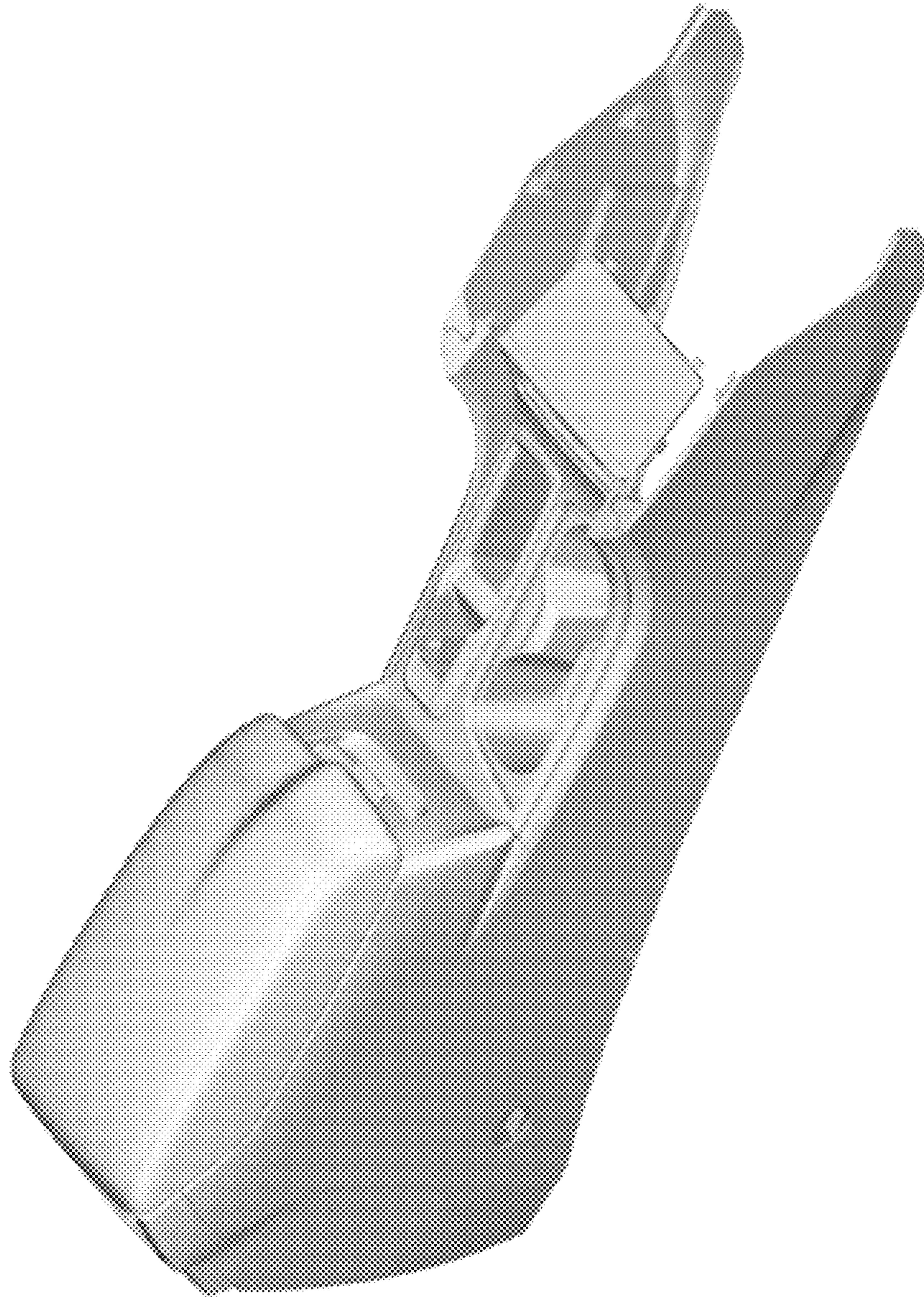


Fig. 2

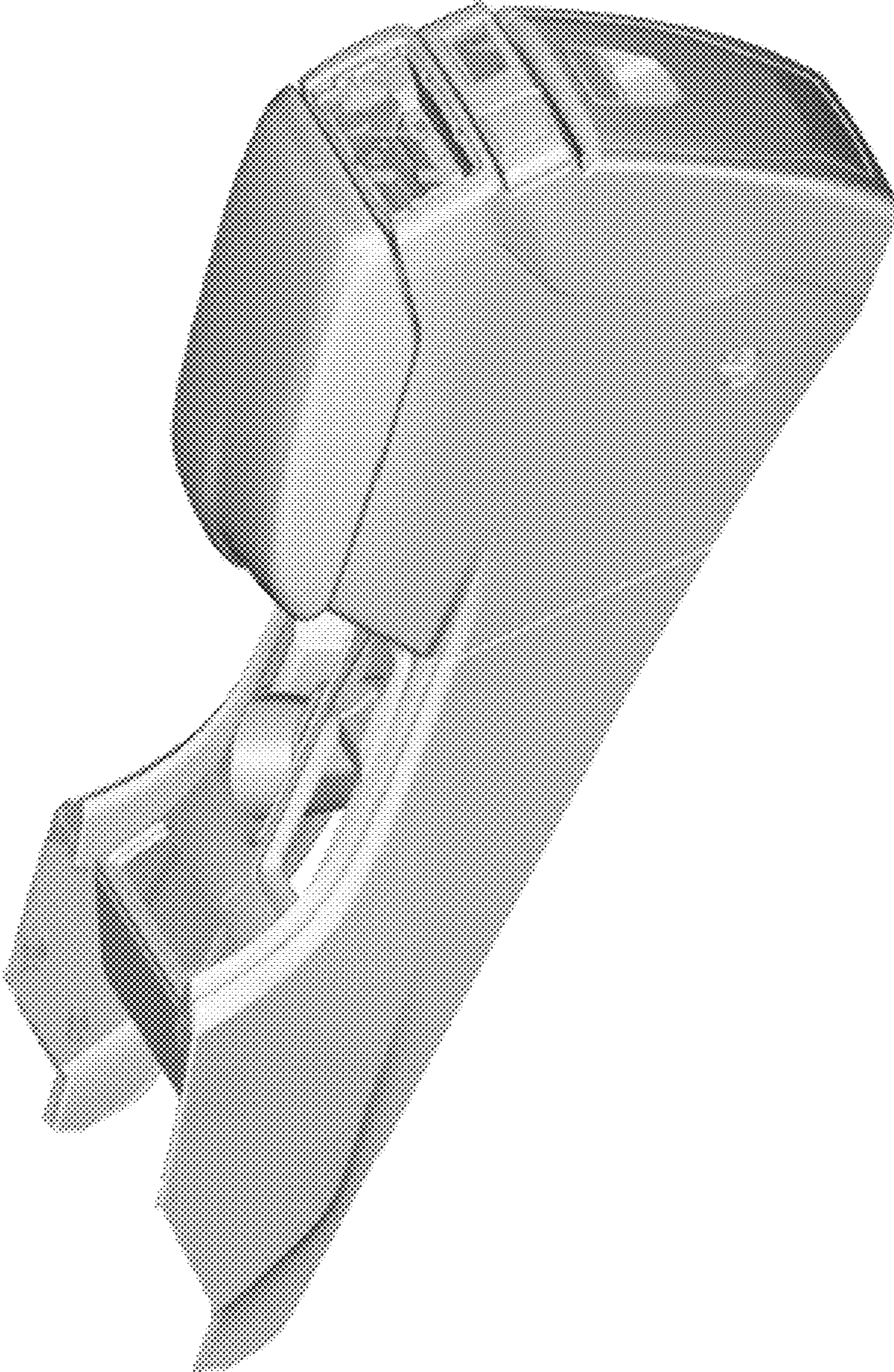


Fig. 3

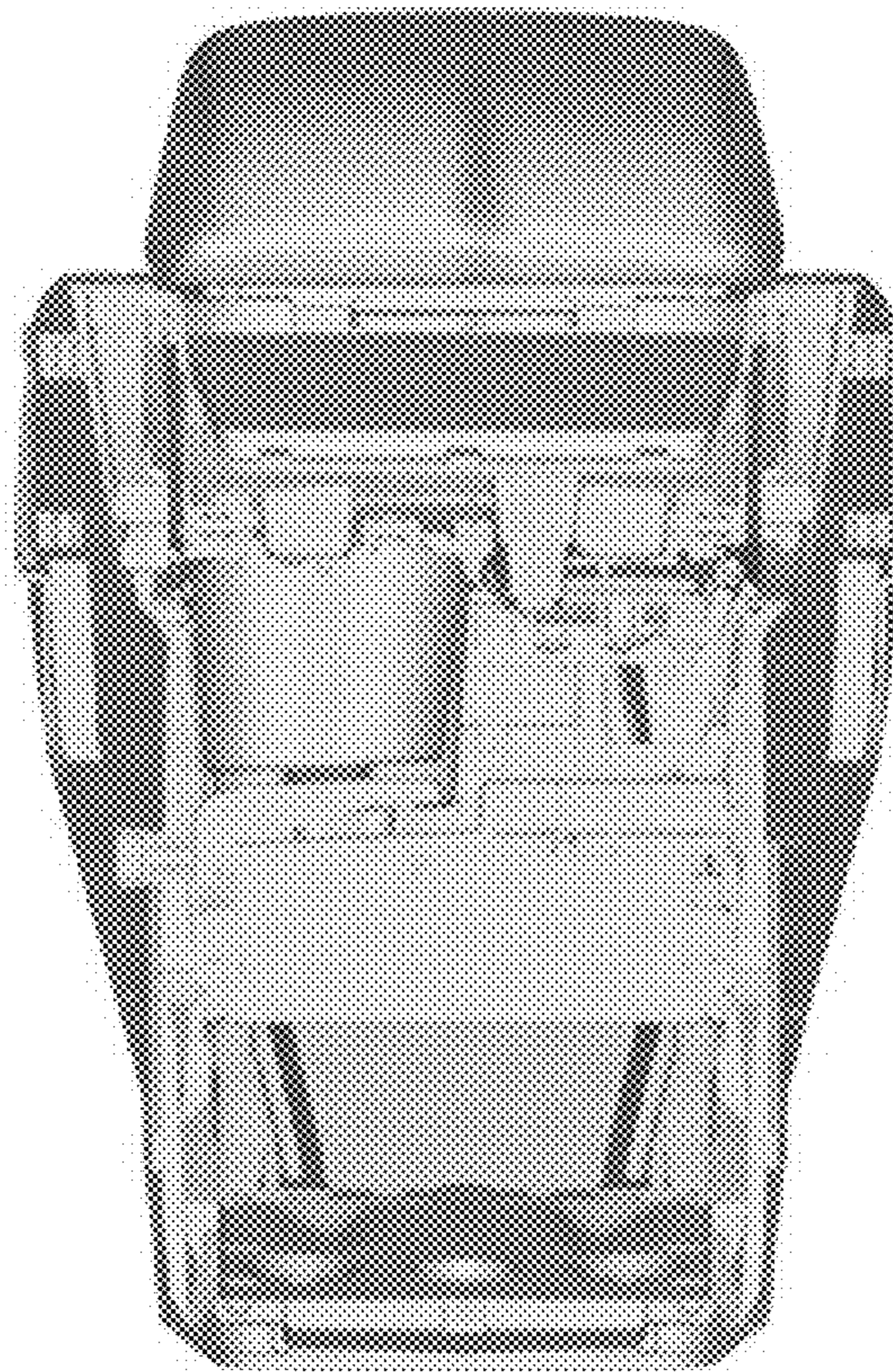


Fig. 4

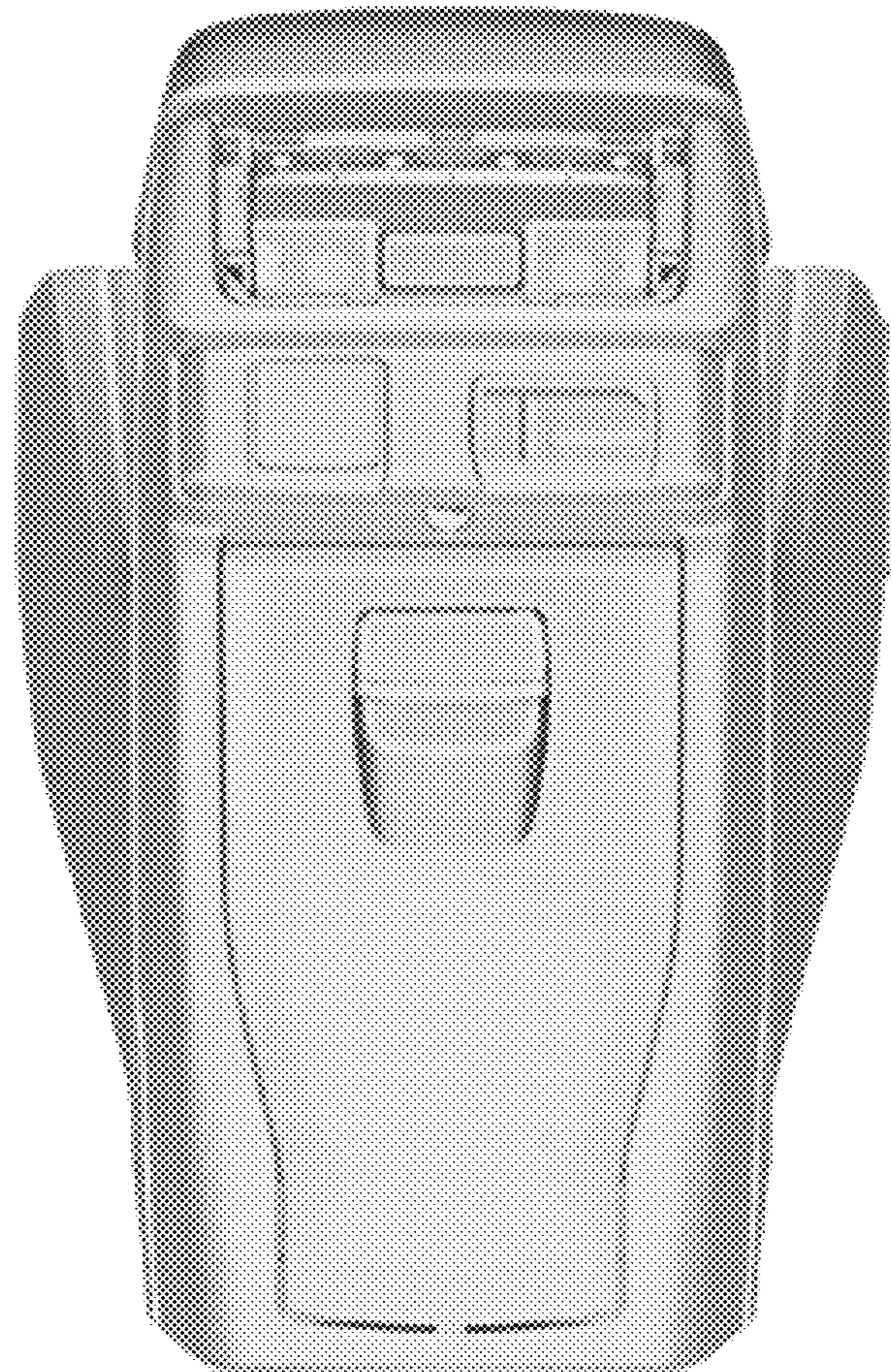


Fig. 5

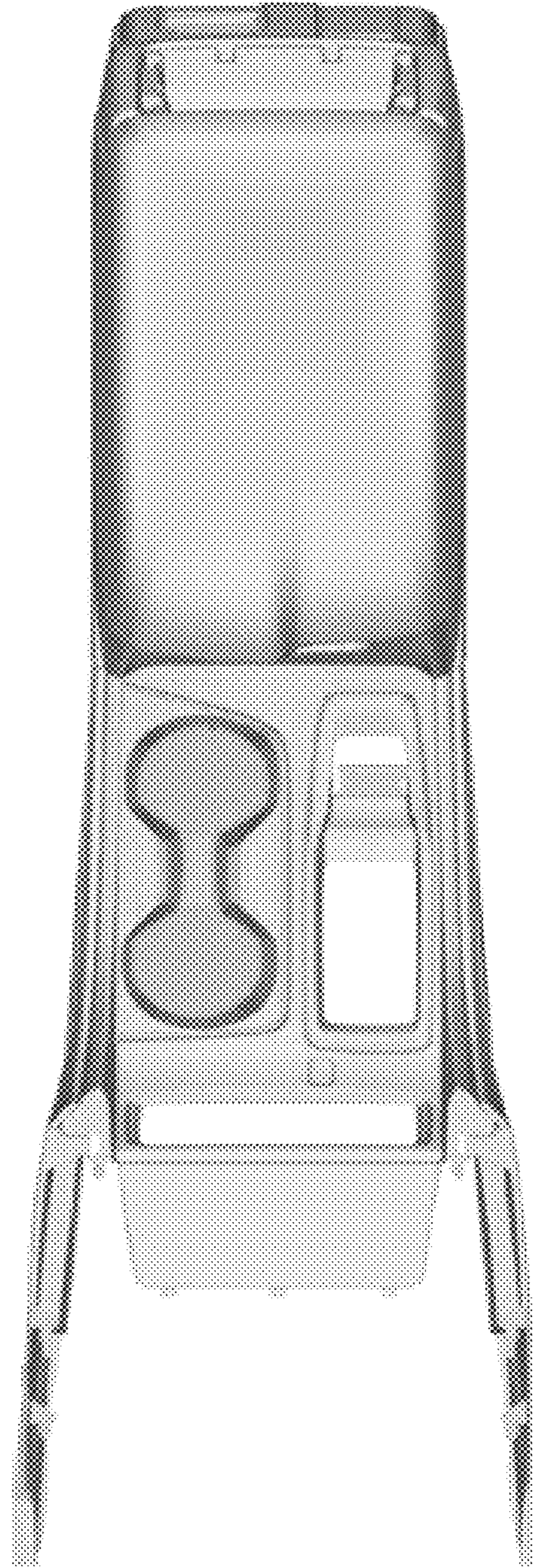


Fig. 6

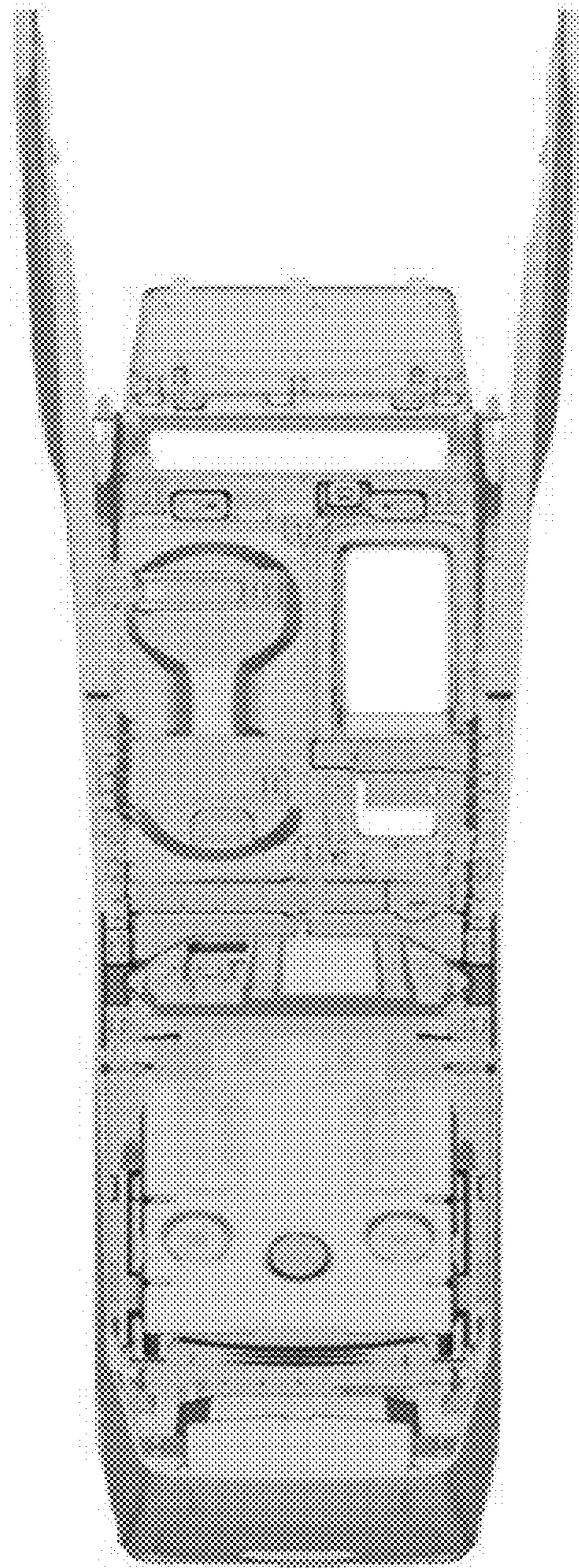


Fig. 7

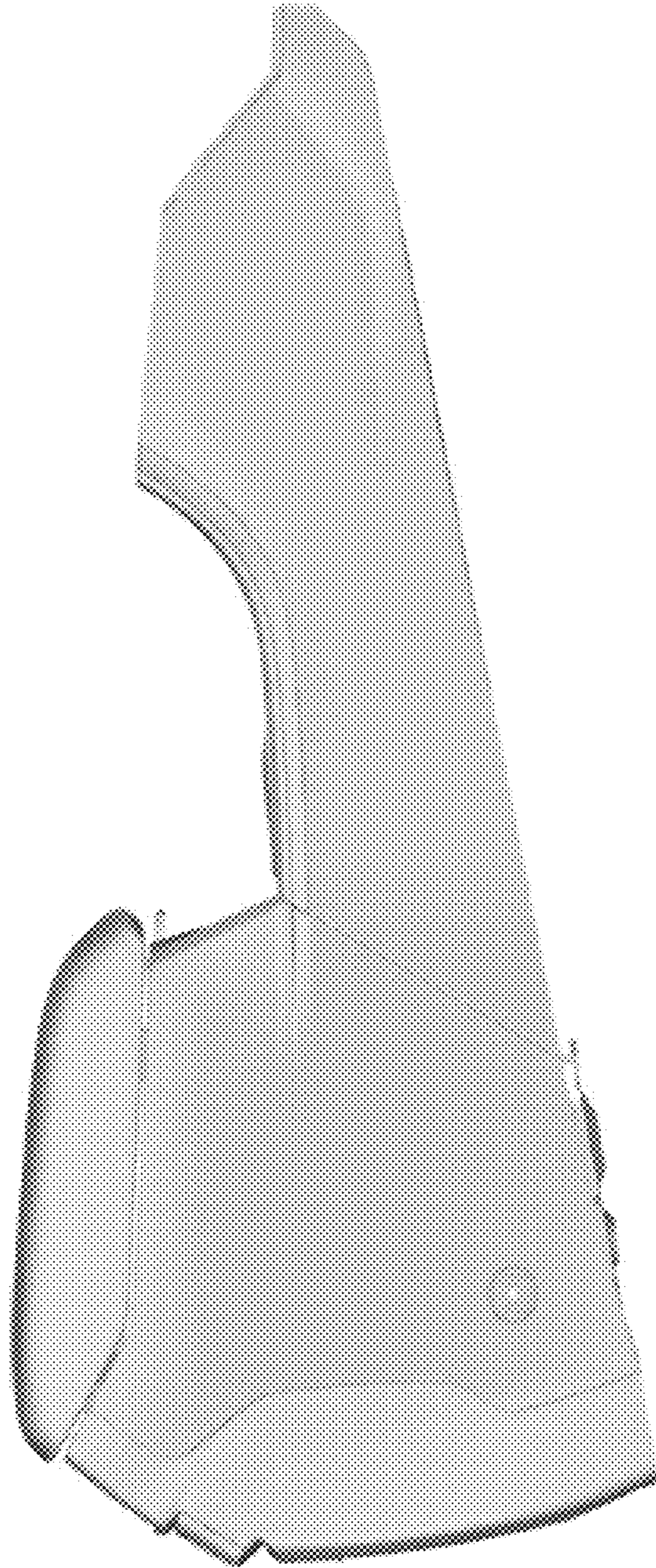


Fig. 8

