



US00D836056S

(12) **United States Design Patent** (10) **Patent No.:** **US D836,056 S**  
**Prasad et al.** (45) **Date of Patent:** **\*\* Dec. 18, 2018**

(54) **RIBBED WHEEL**  
(71) Applicant: **ARCONIC INC.**, Pittsburgh, PA (US)  
(72) Inventors: **Santosh Prasad**, Murrysville, PA (US);  
**Henry Skylut**, Delmont, PA (US);  
**Gabriele F. Ciccola**, Hudson, OH (US);  
**Grant DeGeorge**, Strongsville, OH (US);  
**Erin Fulton**, Irwin, PA (US);  
**Michael A. Pacek**, Freeport, PA (US);  
**James T. Burg**, Verona, PA (US);  
**Anton J. Rovito**, Parma, OH (US);  
**Courtney Carraher**, Bay Village, OH (US);  
**Christopher Au**, Hinckley, OH (US)

(73) Assignee: **Arconic Inc.**, Pittsburgh, PA (US)

(\*\*) Term: **15 Years**

(21) Appl. No.: **29/631,449**

(22) Filed: **Dec. 29, 2017**

(51) **LOC (11) Cl.** ..... **12-16**

(52) **U.S. Cl.**  
USPC ..... **D12/209**

(58) **Field of Classification Search**  
USPC ..... D12/204–213; D21/533, 561, 563  
CPC .... B60B 7/00; B60B 7/01; B60B 7/02; B60B 7/04; B60B 7/06; B60B 7/063; B60B 3/02; B60B 3/04; B60B 3/06; B60B 3/10; B60B 1/00; B60B 1/08; B60B 1/10; B60B 1/12  
See application file for complete search history.

(56) **References Cited**

**U.S. PATENT DOCUMENTS**

3,302,275 A 2/1967 Turpin  
D284,753 S 7/1986 Hedlund  
D327,466 S 6/1992 Lipper  
D358,797 S 5/1995 Botterman  
6,138,355 A \* 10/2000 Grassi ..... B23K 20/129  
228/114

D492,923 S 7/2004 Whitehead  
D504,378 S 4/2005 Grossenbacher et al.  
D519,433 S 4/2006 Finn  
D527,324 S 8/2006 Whitehead

(Continued)

**FOREIGN PATENT DOCUMENTS**

AU 351933 11/2013  
AU 351934 11/2013

(Continued)

**OTHER PUBLICATIONS**

Wheel at <http://www.ntda.org/ntda/News/tabid/59/post/east-announces-alcoa-s-ultra-one-wheel-as-standard-on-all-east-trailers/Default.aspx>, published on Feb. 4, 2014.

(Continued)

*Primary Examiner* — Sheryl Lane

*Assistant Examiner* — Calvin E Vansant

(74) *Attorney, Agent, or Firm* — Greenberg Traurig, LLP

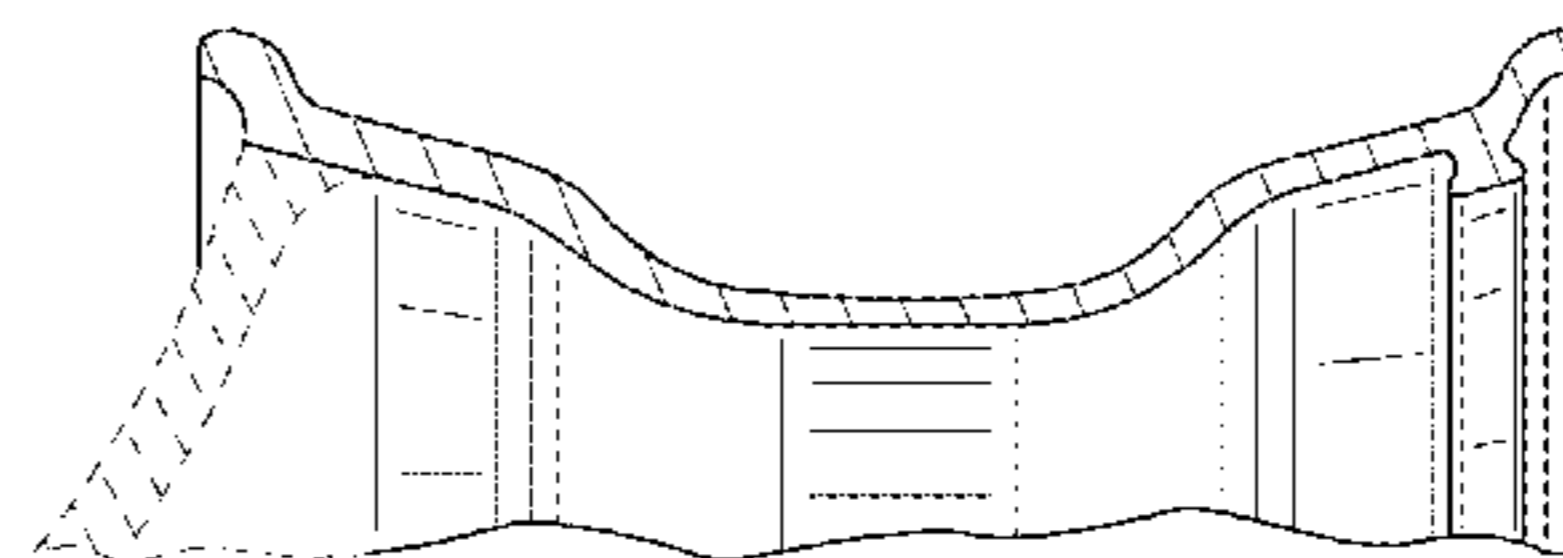
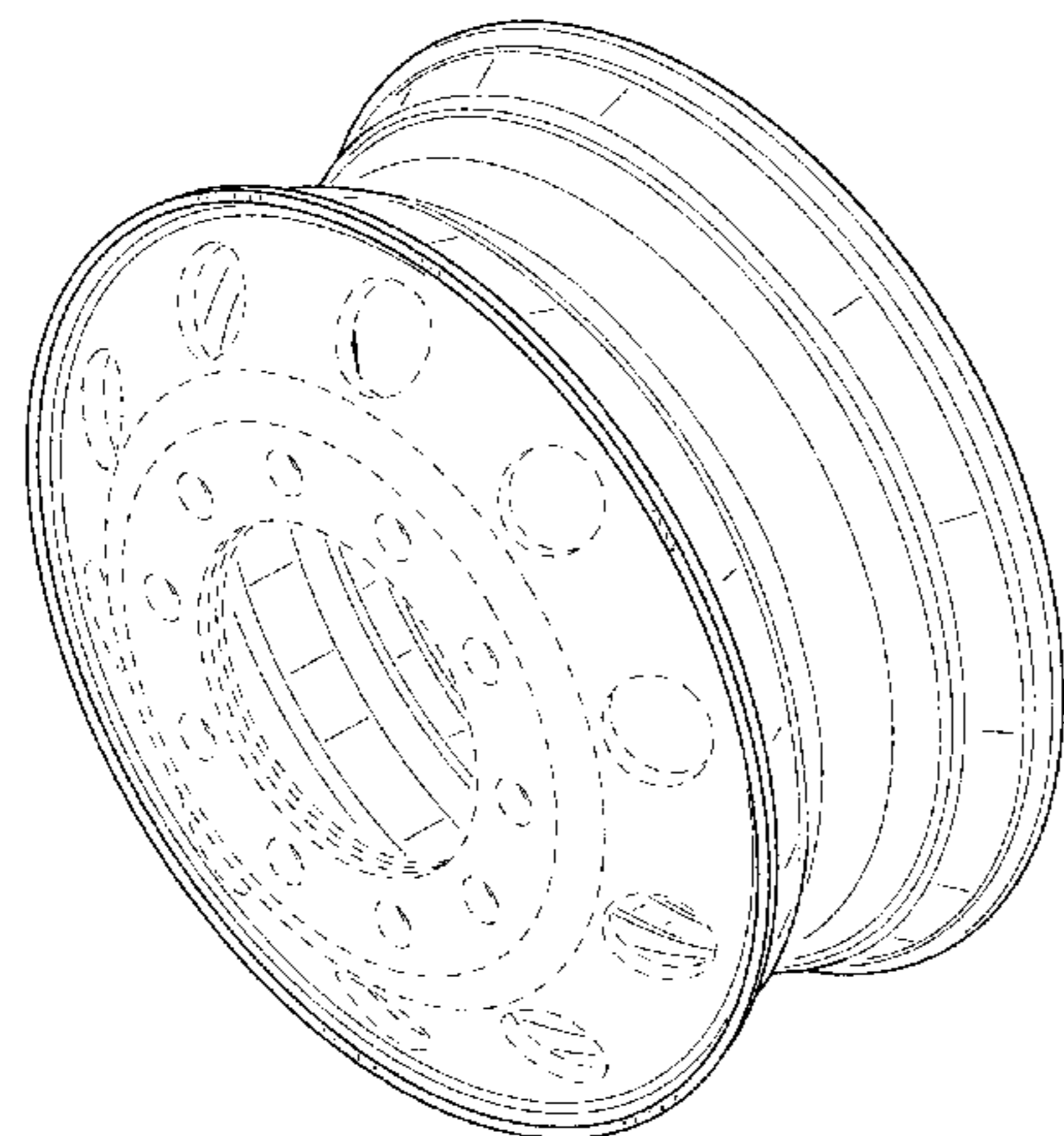
(57) **CLAIM**

The ornamental design for a ribbed wheel, as shown and described.

**DESCRIPTION**

FIG. 1 is a front perspective view of the ribbed wheel.  
FIG. 2 is a rear perspective view of the ribbed wheel  
FIG. 3 is a front view of the ribbed wheel.  
FIG. 4 is a back view of the ribbed wheel.  
FIG. 5 is a side view of the ribbed wheel.  
FIG. 6 is a top view of the ribbed wheel.  
FIG. 7 is a bottom view of the ribbed wheel; and,  
FIG. 8 is a cross-sectional view of the ribbed wheel, for clarity of disclosure, taken at Line 8-8 shown in FIG. 6.  
The broken lines in the figures show portions illustrating environmental structures of the ribbed wheel that form no part of the claimed design.

**1 Claim, 8 Drawing Sheets**



(56)

References Cited

OTHER PUBLICATIONS

U.S. PATENT DOCUMENTS

D598,835 S 8/2009 DeGeorge  
9,032,600 B2 5/2015 Pulphus  
D773,974 S \* 12/2016 DeGeorge ..... D12/208  
D810,645 S \* 2/2018 Sklyut ..... D12/204  
2015/0217599 A1\* 8/2015 Zehnder ..... B60B 25/12  
301/29.2  
2016/0001593 A1\* 1/2016 Gielisch ..... B60B 7/02  
301/37.11

FOREIGN PATENT DOCUMENTS

CA 104173 1/2005  
CA 167267 2/2017  
JP 2009-051248 3/2009  
JP 1540615 12/2015

Wheel at <https://worldindustrialreporter.com/alcoa-develops-new-dura-bright-evo-wheel-with-enhanced-durability-and-easy-maintenance/>, published on Jan. 27, 2014.

Wheel at <http://www.moderntiredealer.com/news/399994/accuride-wheels-aim-to-reduce-flange-wear>, published on Jun. 9, 2014.

Commonly owned Design U.S. Appl. No. 29/631,455, filed Dec. 29, 2017, entitled "Ribbed Wheel".

Commonly owned Design U.S. Appl. No. 29/631,467, filed Dec. 29, 2017 entitled "Ribbed Wheel".

Commonly owned Design U.S. Appl. No. 29/631,442, filed Dec. 29, 2017, entitled "Wheel Having Internal Scalloped Groove".

Commonly owned Design U.S. Appl. No. 29/631,444, filed Dec. 29, 2017, entitled "Wheel Having Internal Groove".

\* cited by examiner

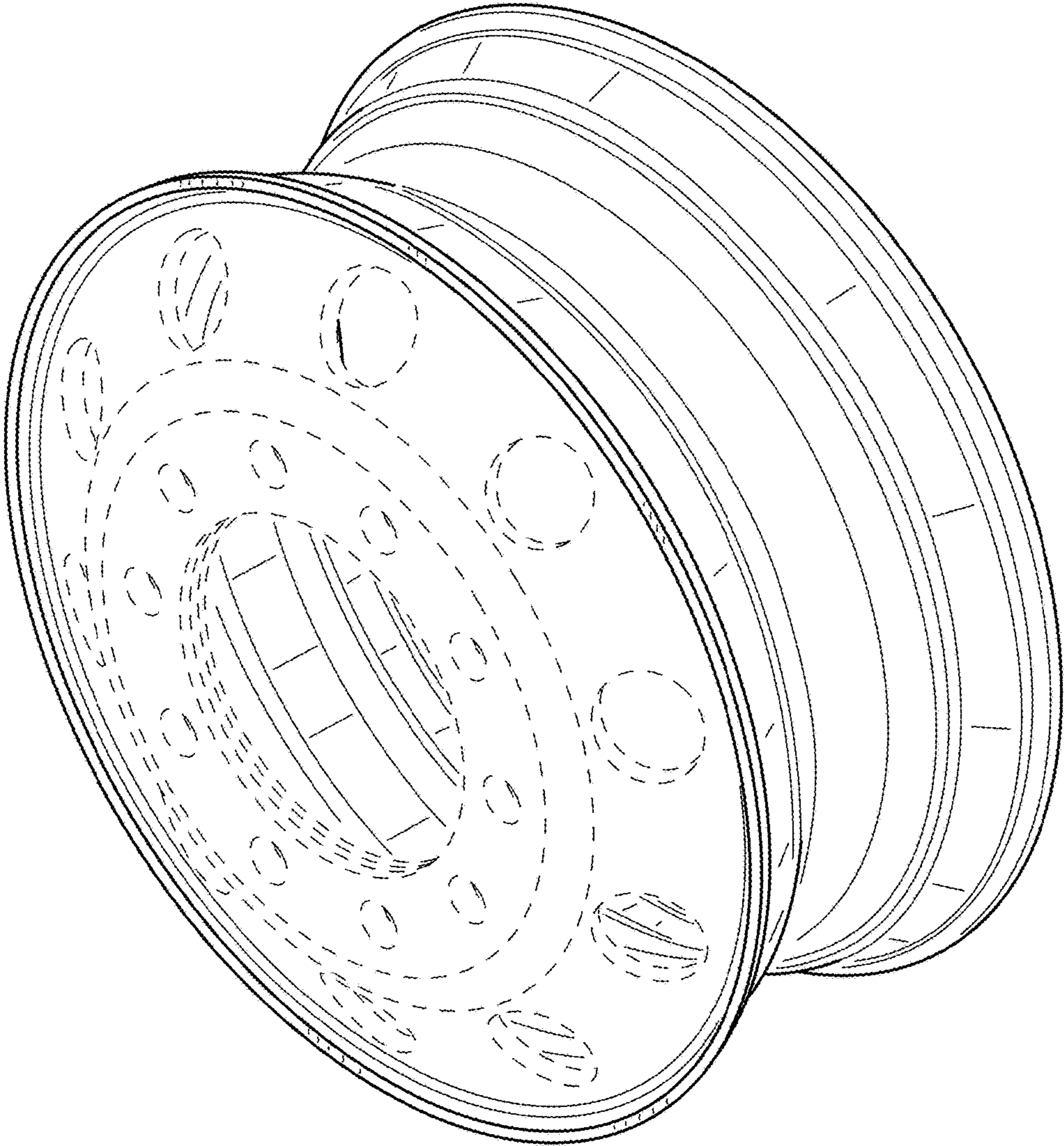


FIG.1

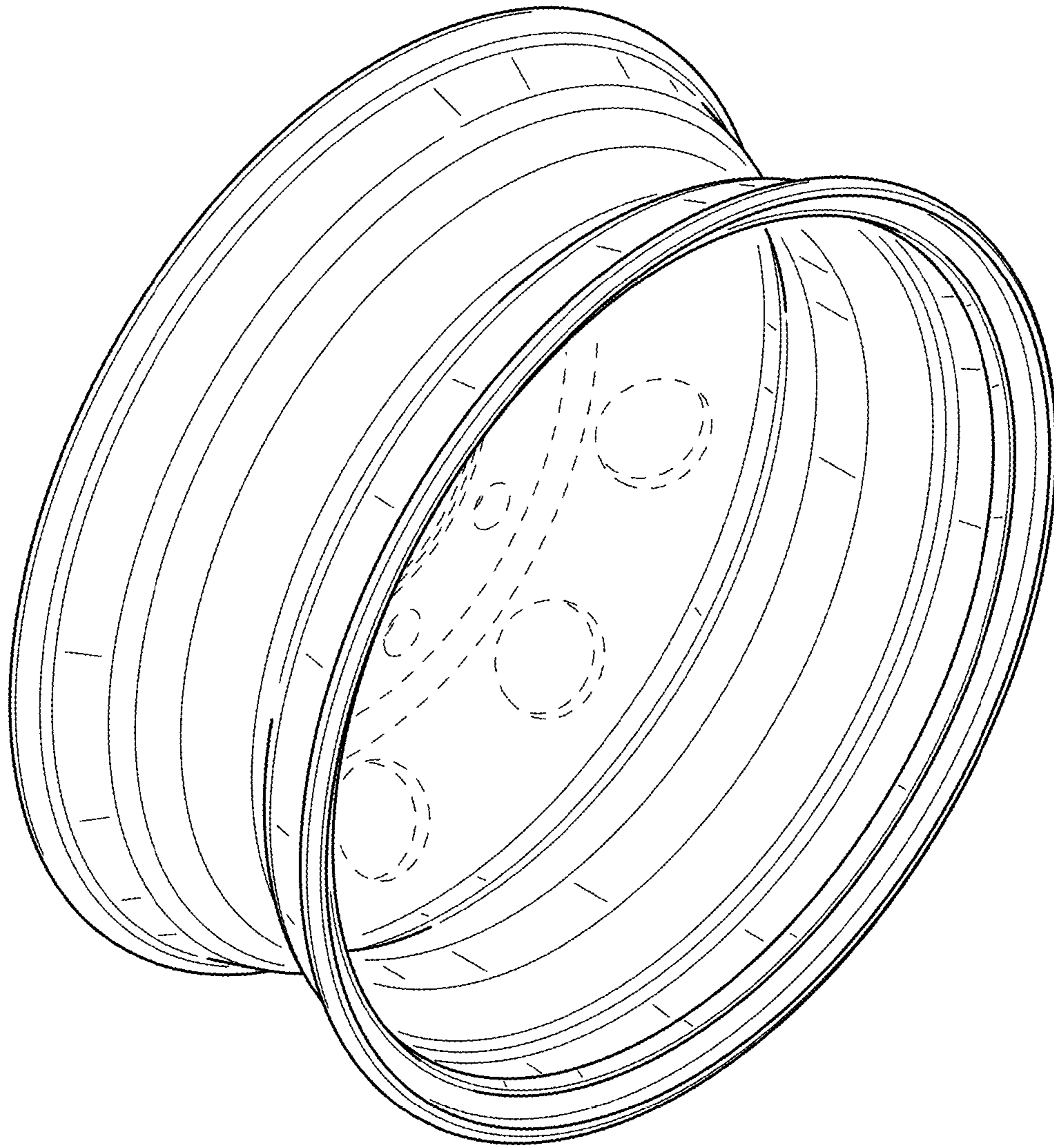


FIG.2

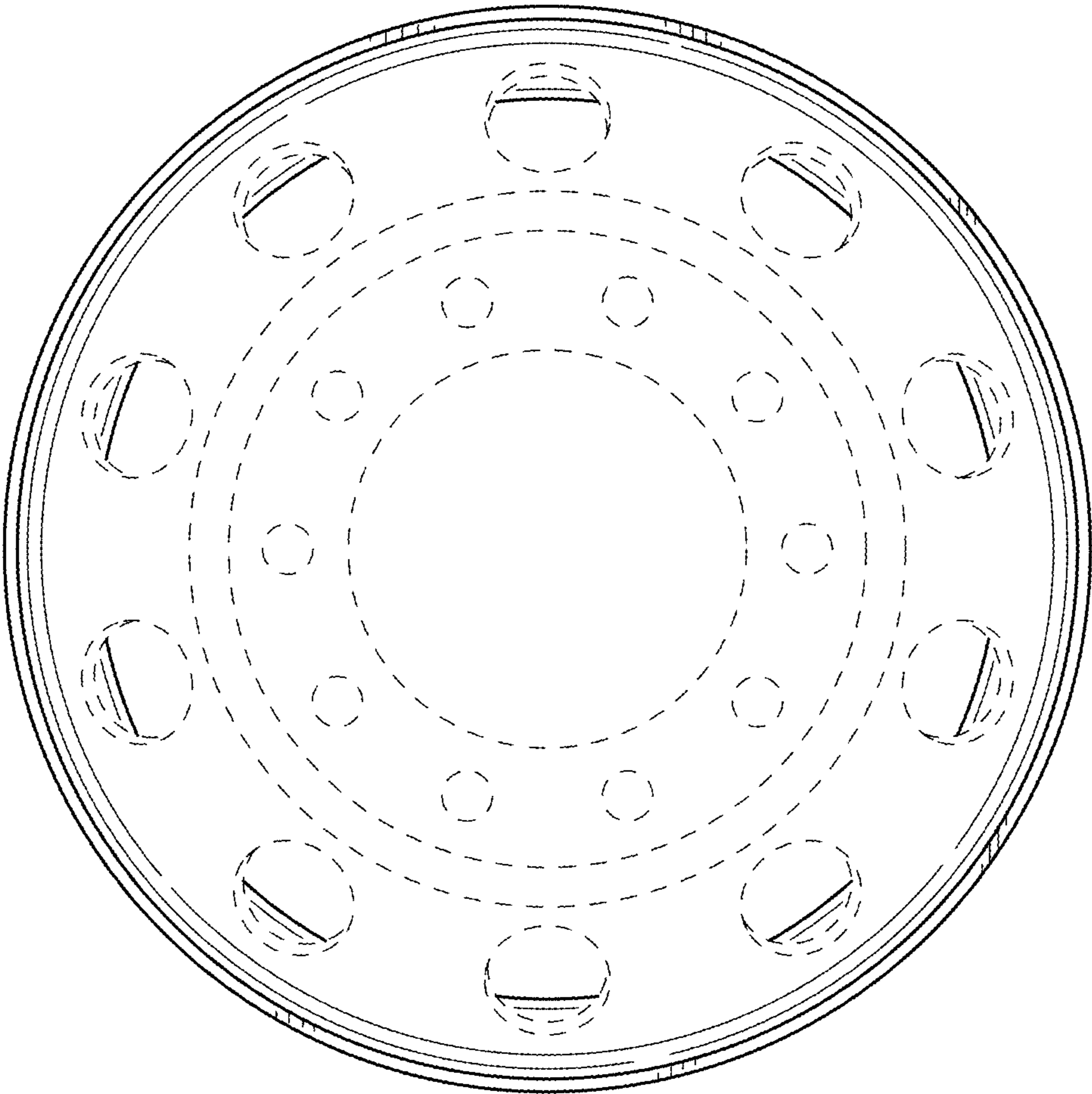


FIG.3

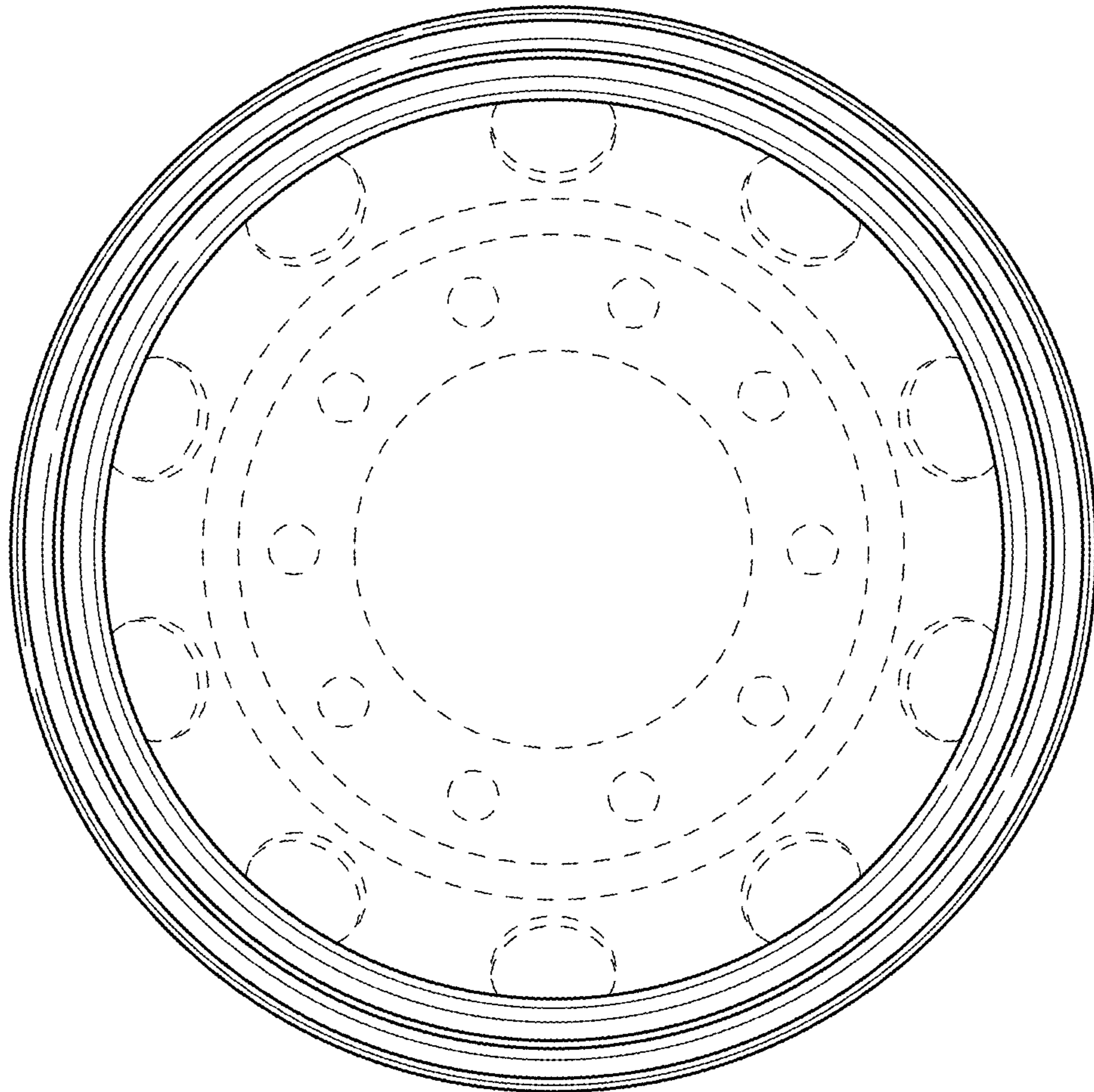


FIG.4

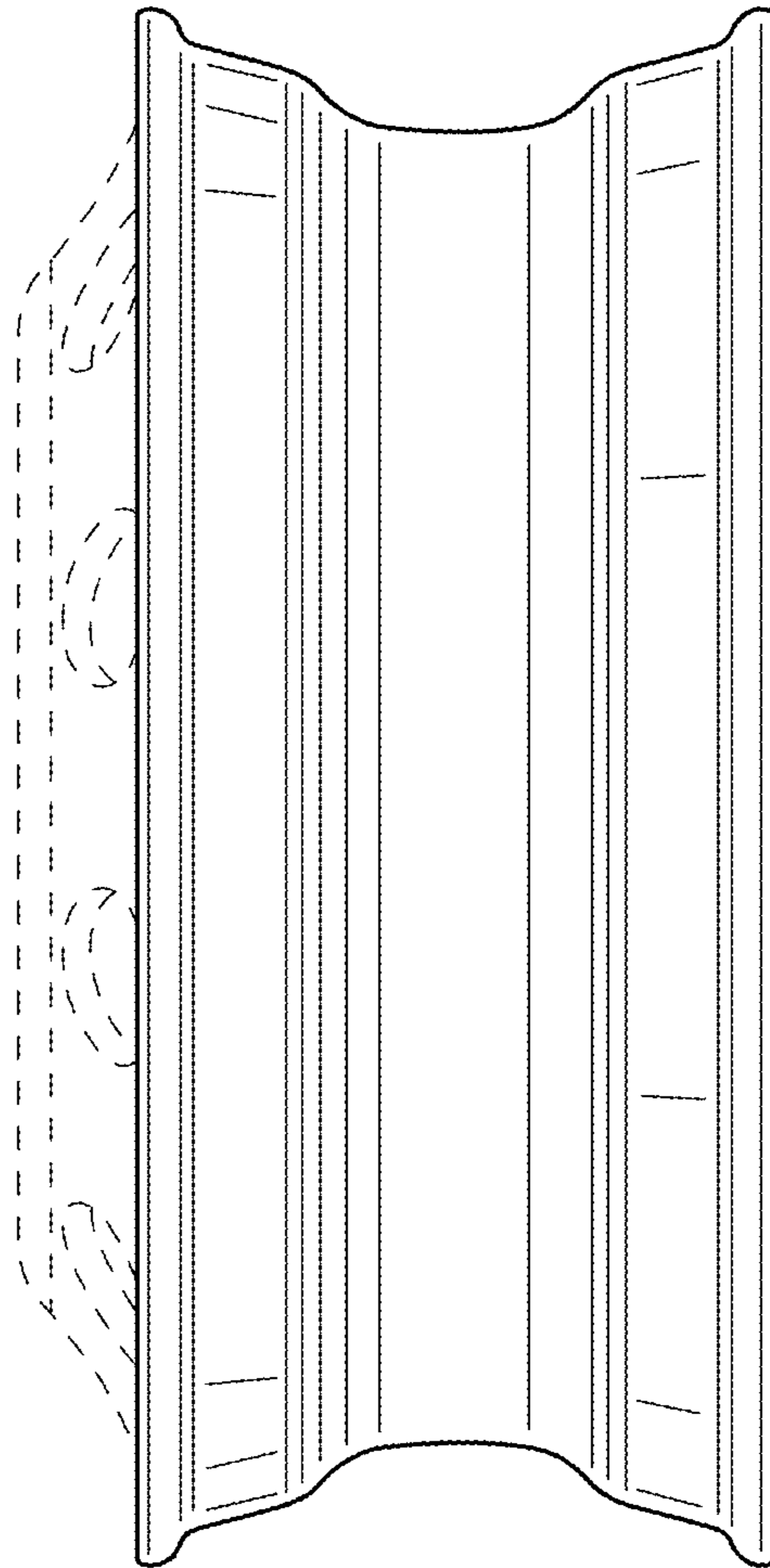


FIG.5

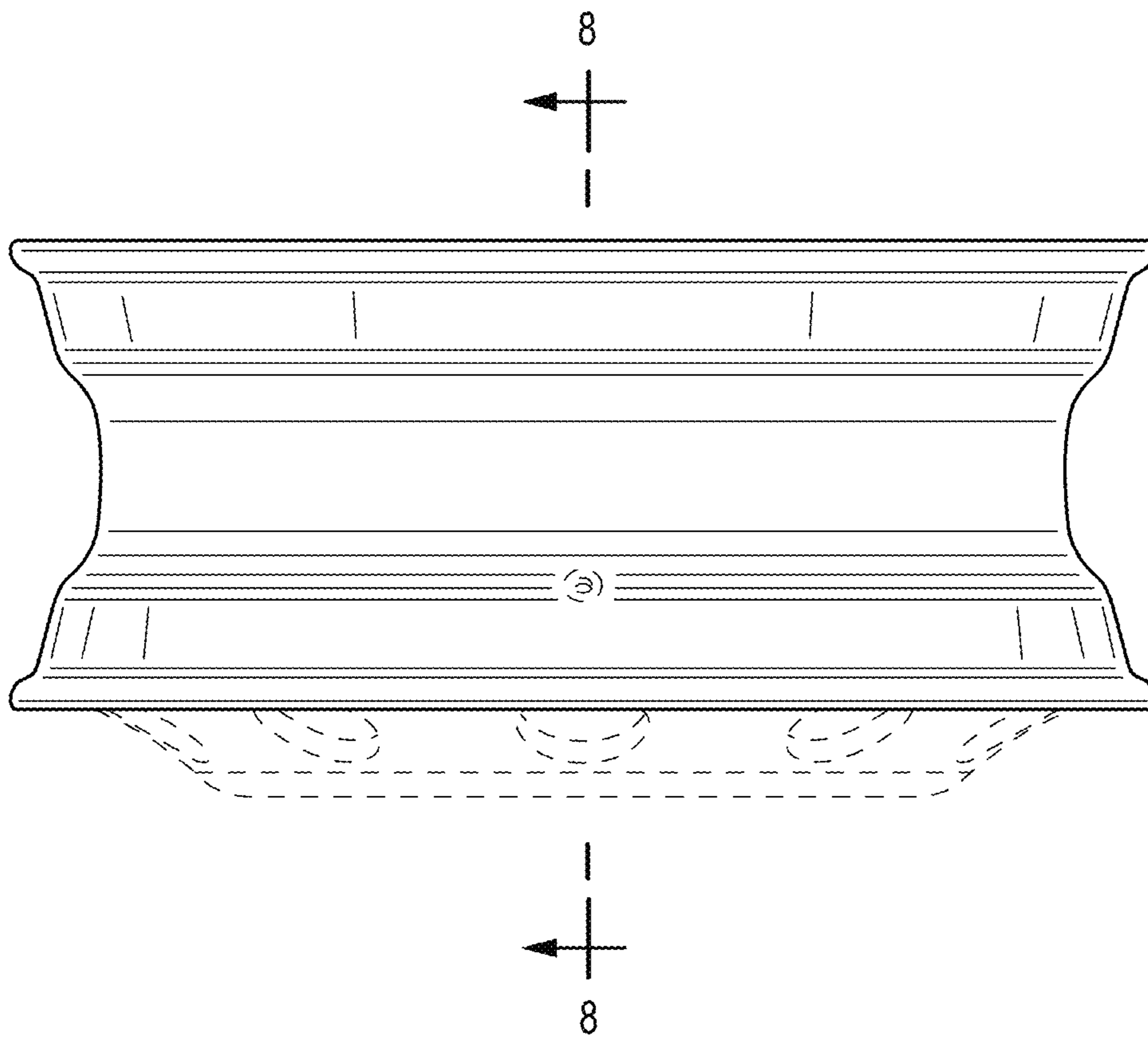


FIG.6



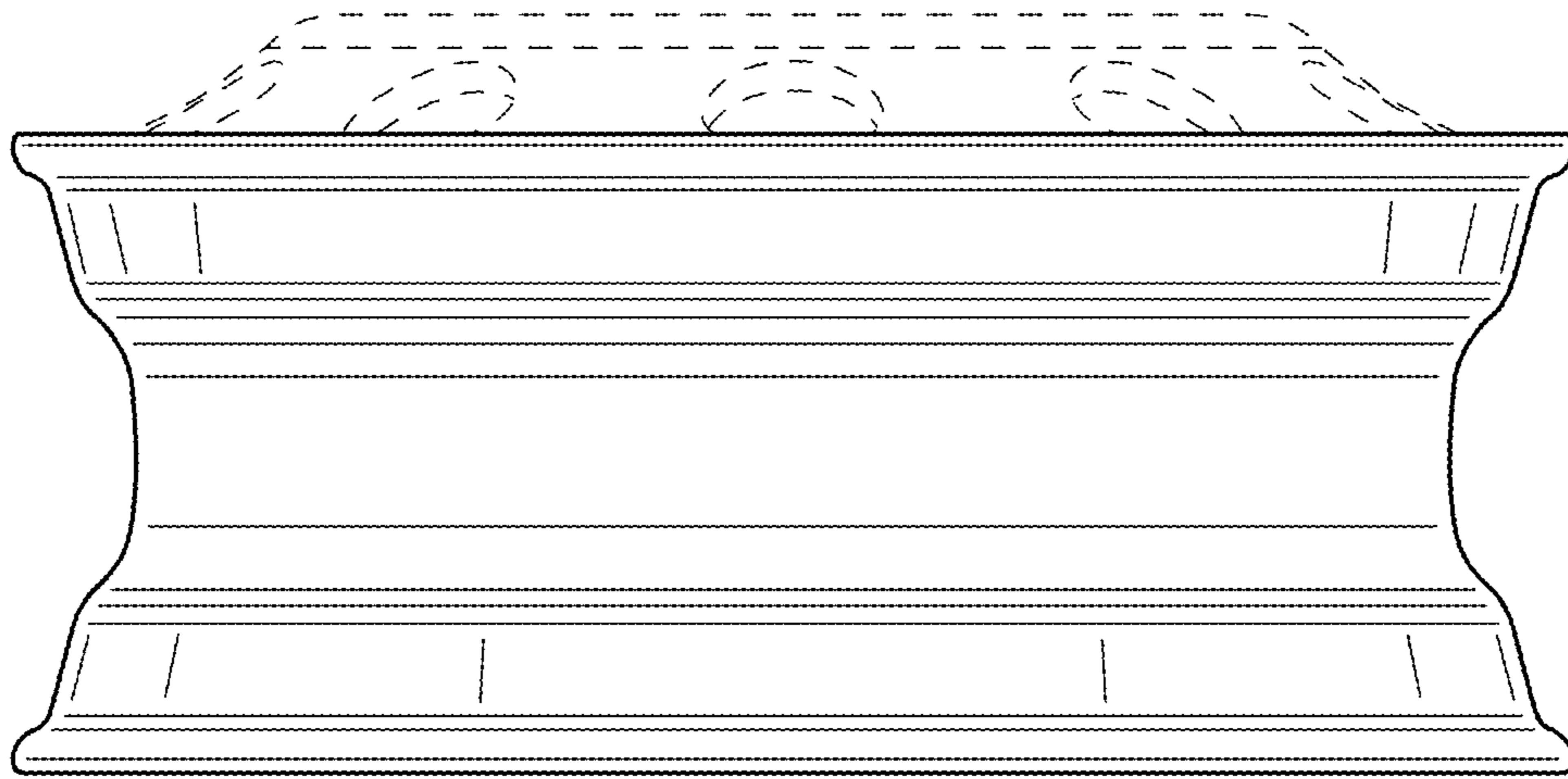


FIG.7

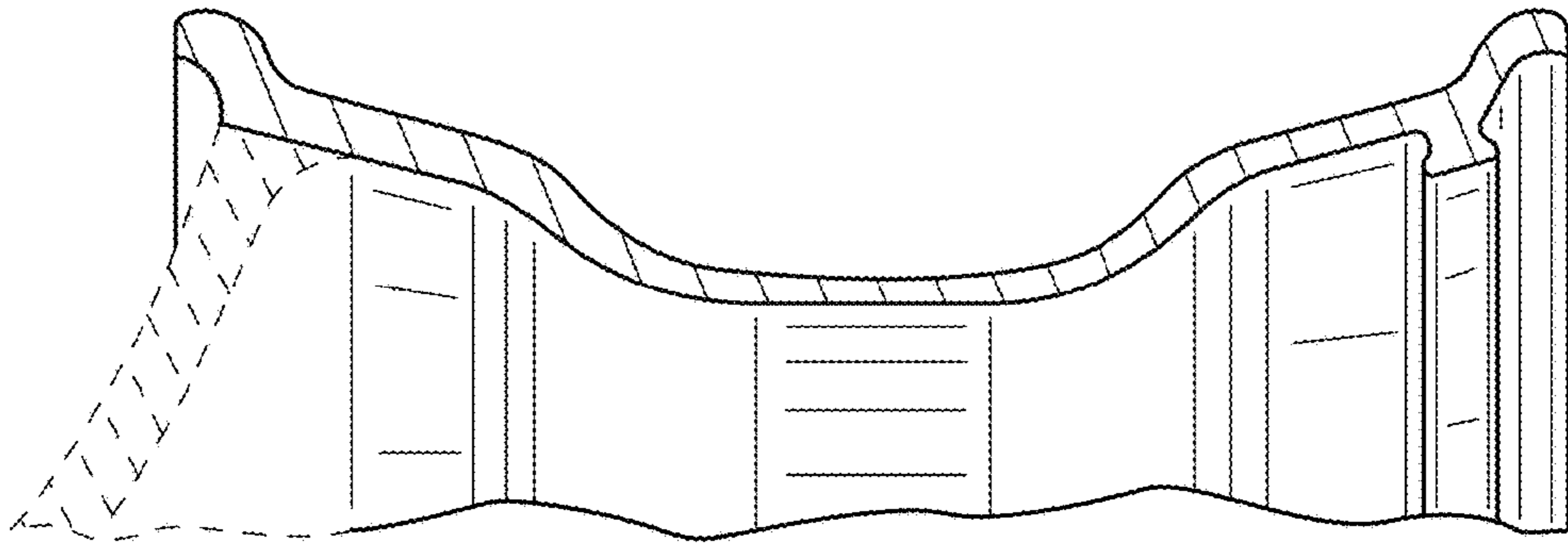


FIG.8