



US00D836054S

(12) **United States Design Patent**  
**Kikuchi**

(10) **Patent No.:** **US D836,054 S**

(45) **Date of Patent:** **\*\* Dec. 18, 2018**

- (54) **WHEEL FOR AN AUTOMOBILE**
- (71) Applicant: **Subaru Corporation**, Tokyo (JP)
- (72) Inventor: **Kouta Kikuchi**, Tokyo (JP)
- (73) Assignee: **Subaru Corporation**, Tokyo (JP)
- (\*\*) Term: **15 Years**

- (21) Appl. No.: **29/612,281**
- (22) Filed: **Jul. 31, 2017**

(30) **Foreign Application Priority Data**

- Jan. 31, 2017 (JP) ..... 2017-001632
- (51) **LOC (11) Cl.** ..... **12-16**
- (52) **U.S. Cl.**  
USPC ..... **D12/209**
- (58) **Field of Classification Search**  
USPC ..... D12/204–213  
CPC .... B60B 7/00; B60B 7/02; B60B 7/04; B60B 7/01; B60B 7/06; B60B 3/02; B60B 3/04; B60B 3/06; B60B 3/10; B60B 1/00; B60B 1/08; B60B 1/10; B60B 1/12  
See application file for complete search history.

(56) **References Cited**

**U.S. PATENT DOCUMENTS**

- D455,701 S \* 4/2002 McMath ..... D12/209
- D744,400 S \* 12/2015 Watanuki ..... D12/209
- D753,045 S \* 4/2016 Kawaguchi ..... D12/209
- D754,048 S \* 4/2016 Starr, Jr. .... D12/209
- D755,692 S \* 5/2016 Nakahara ..... D12/209
- D757,626 S \* 5/2016 Bridan ..... D12/209

- D762,543 S \* 8/2016 Hara ..... D12/209
- D763,158 S \* 8/2016 Hara ..... D12/209
- D765,000 S \* 8/2016 Song ..... D12/209
- D770,351 S \* 11/2016 Choi ..... D12/209
- D781,200 S \* 3/2017 Back ..... D12/209
- D791,668 S \* 7/2017 Murase ..... D12/209
- D799,270 S \* 10/2017 Polk, III ..... D7/510
- D803,132 S \* 11/2017 Okaji ..... D12/209
- D804,388 S \* 12/2017 Snyder ..... D12/209
- D815,008 S \* 4/2018 Valencia Pollex ..... D12/209

\* cited by examiner

*Primary Examiner* — Stacia A Cadmus

(74) *Attorney, Agent, or Firm* — Schiff Hardin LLP

(57) **CLAIM**

I claim the ornamental design for a wheel for an automobile, thereof, as shown and described.

**DESCRIPTION**

FIG. 1 is a front perspective view for a “wheel for an automobile” showing my new design, FIG. 2 is a rear perspective view thereof, FIG. 3 is a front view thereof, FIG. 4 is a rear view thereof, FIG. 5 is a top view thereof, FIG. 6 is a bottom view thereof, FIG. 7 is a left-side view thereof, FIG. 8 is a right-side view thereof, FIG. 9 is an enlarged view of an end view cut the 9-9 line of FIG. 3 thereof; and, FIG. 10 is an enlarged view of an end view cut the 10-10 line of FIG. 3 thereof.

**1 Claim, 10 Drawing Sheets**

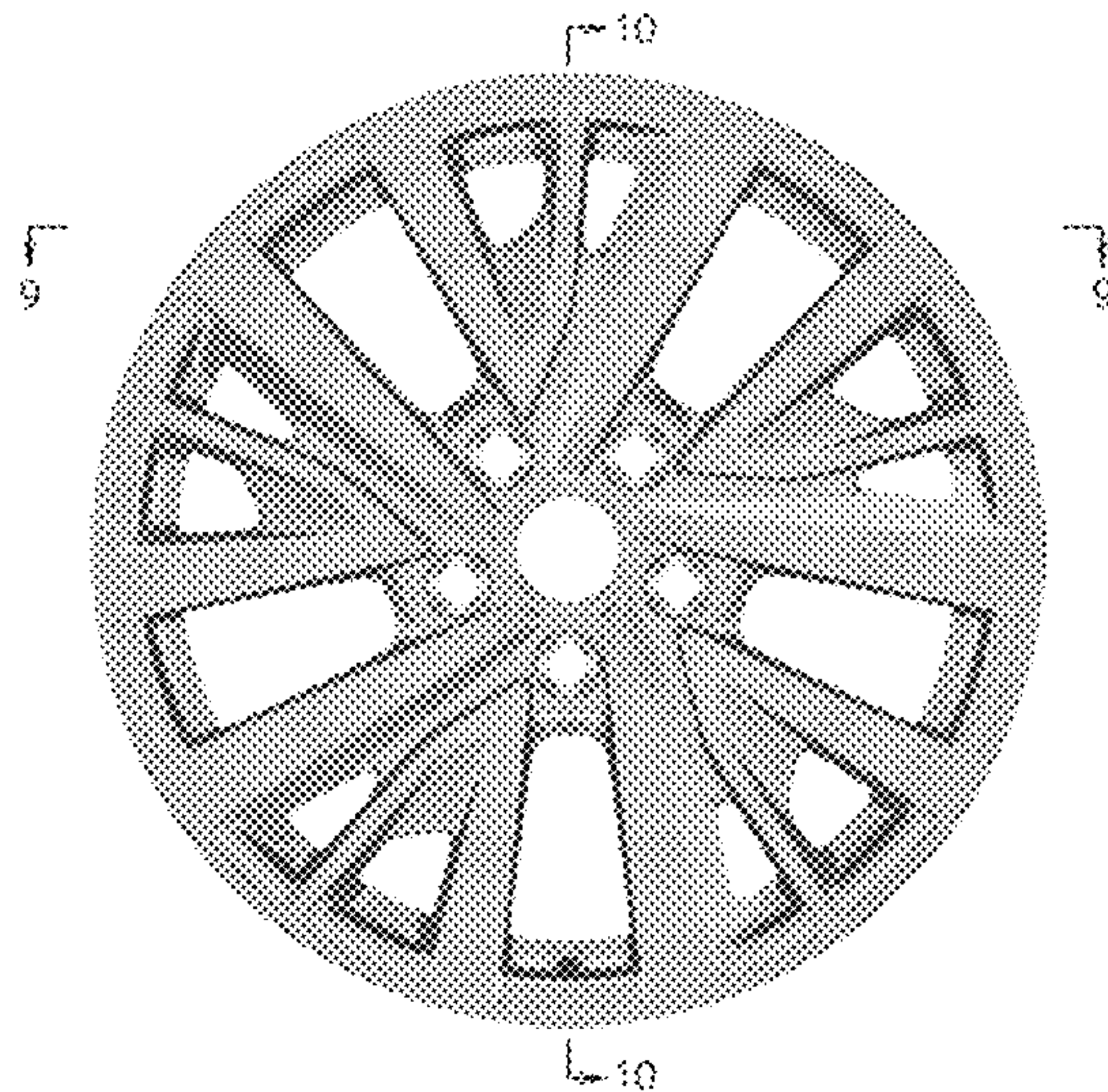
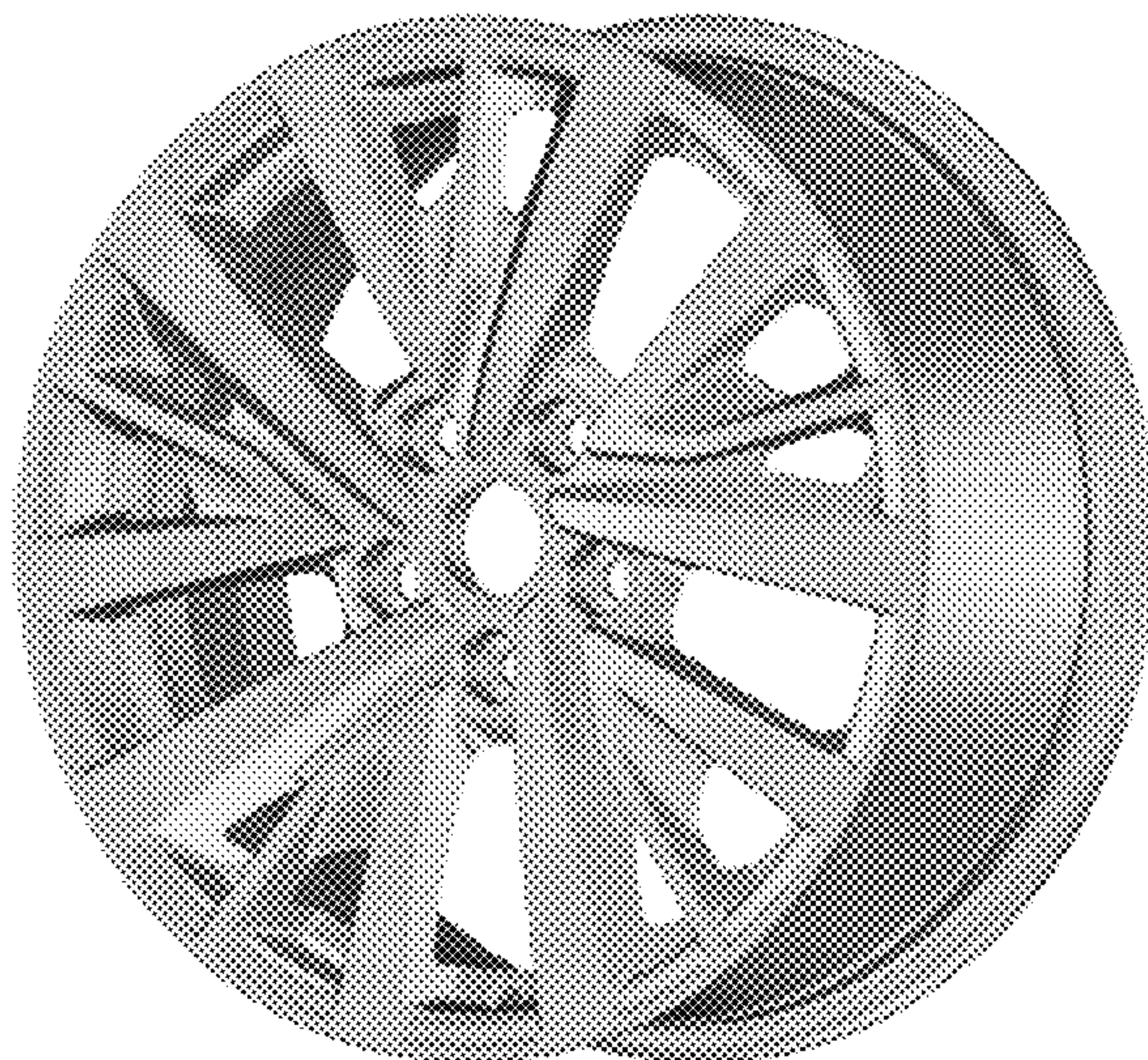




Fig. 1





Fig. 2





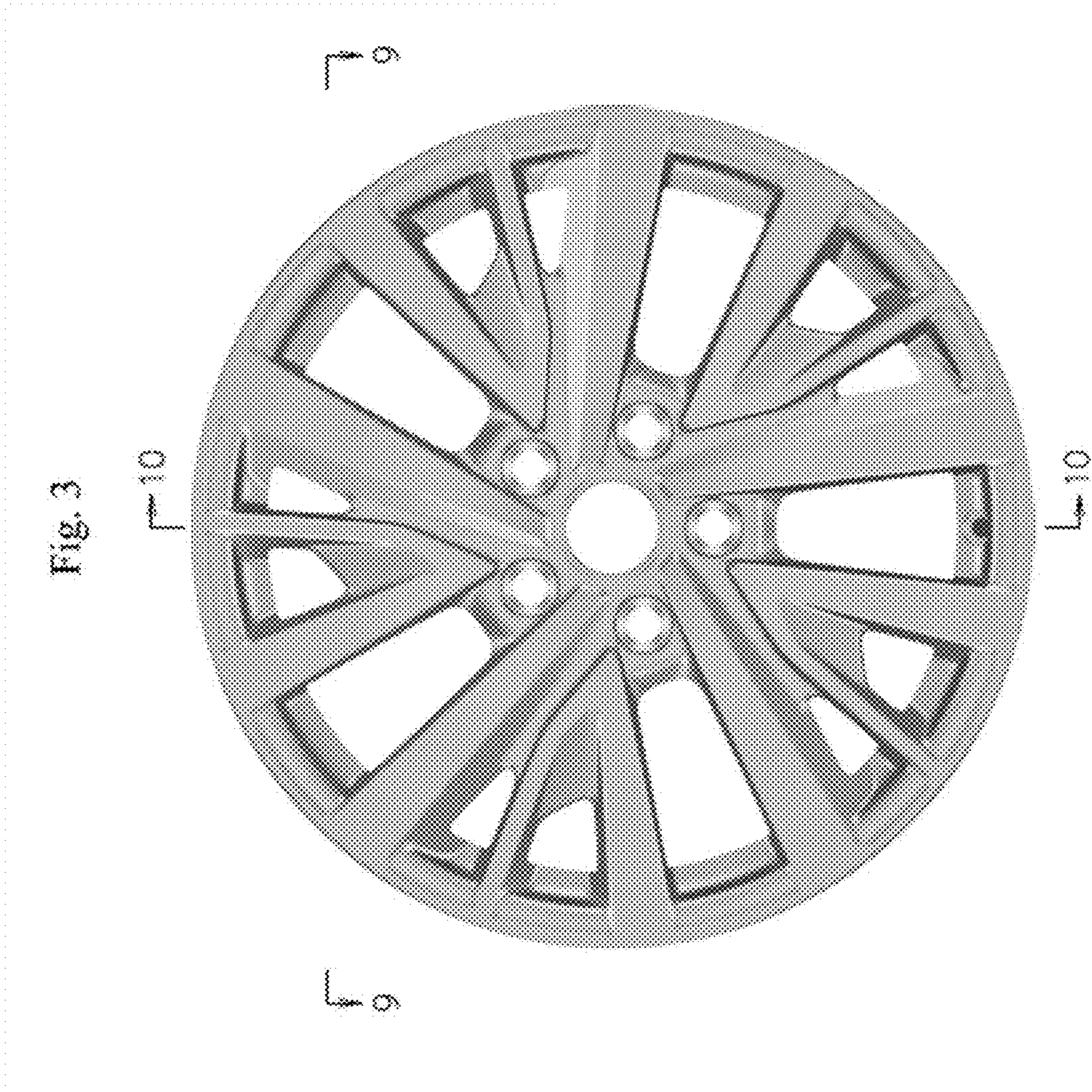


Fig. 3



Fig. 4

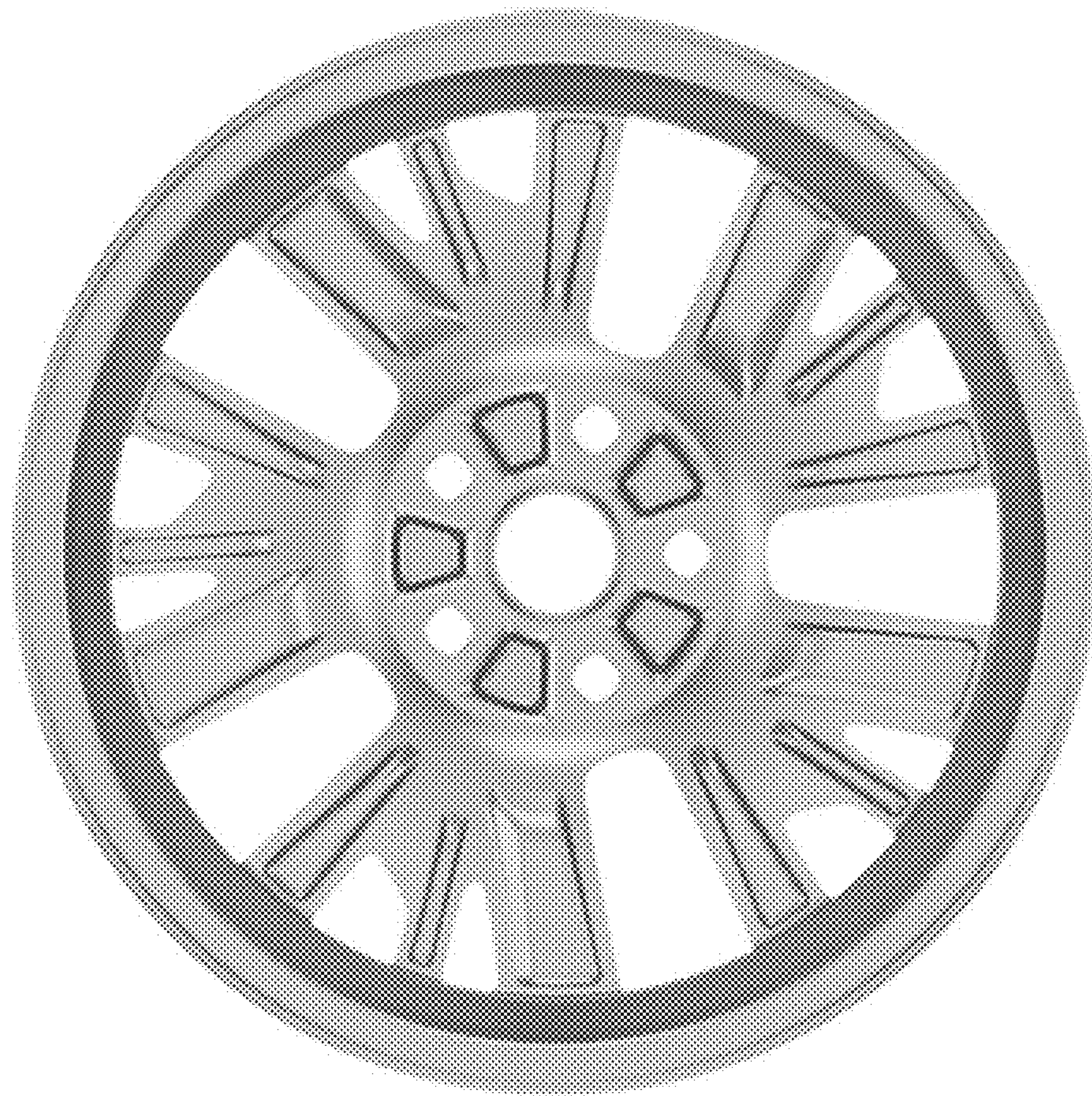




Fig. 5

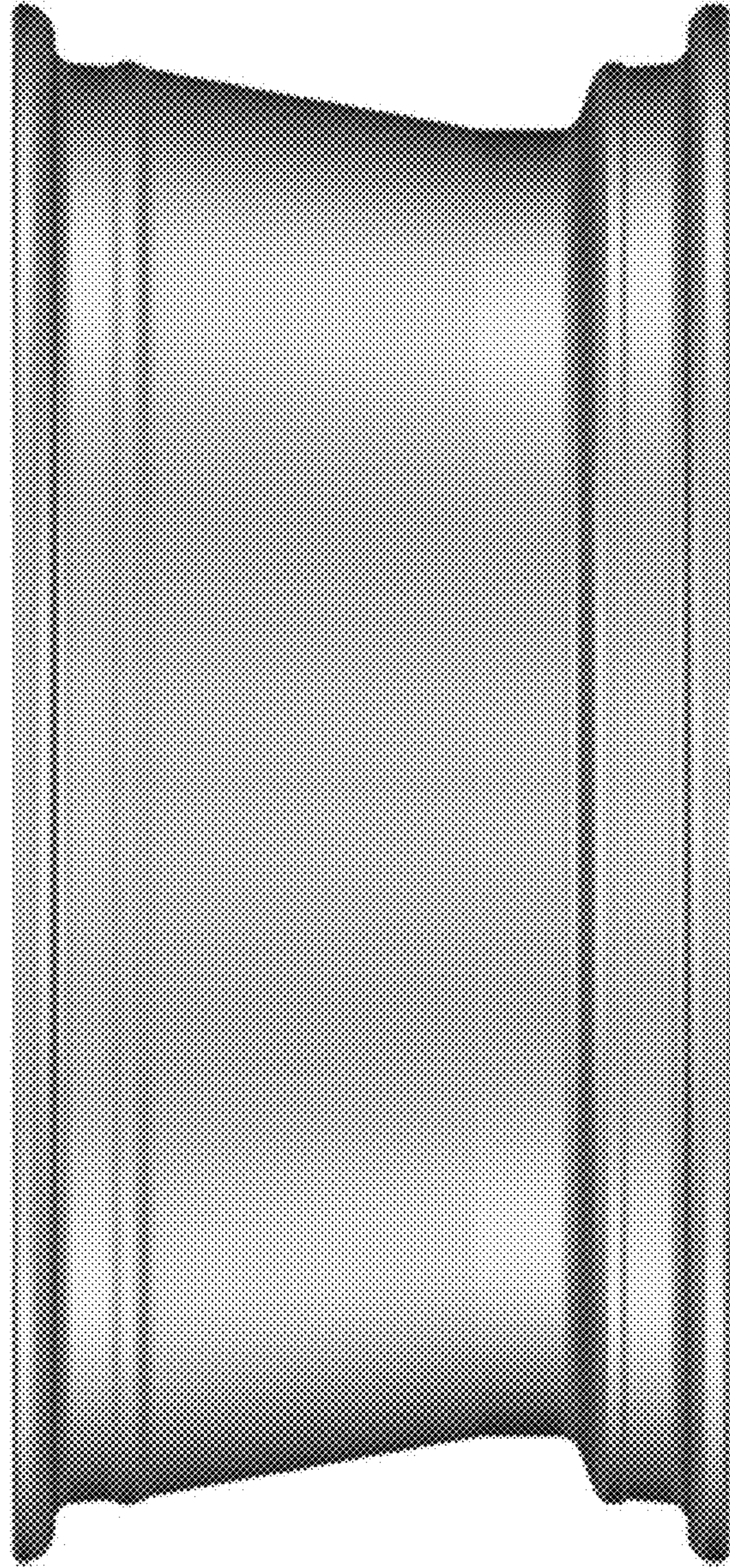




Fig. 6

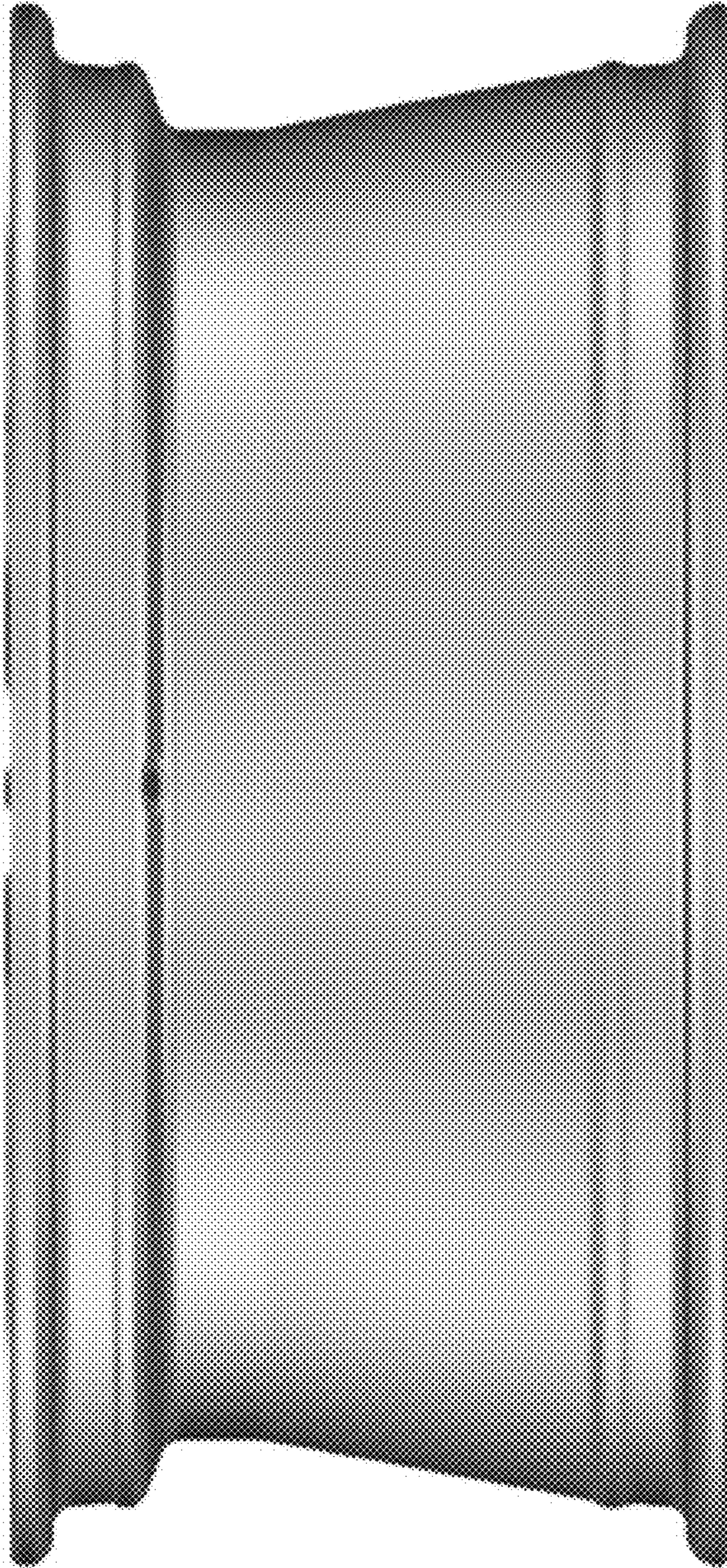




Fig. 7

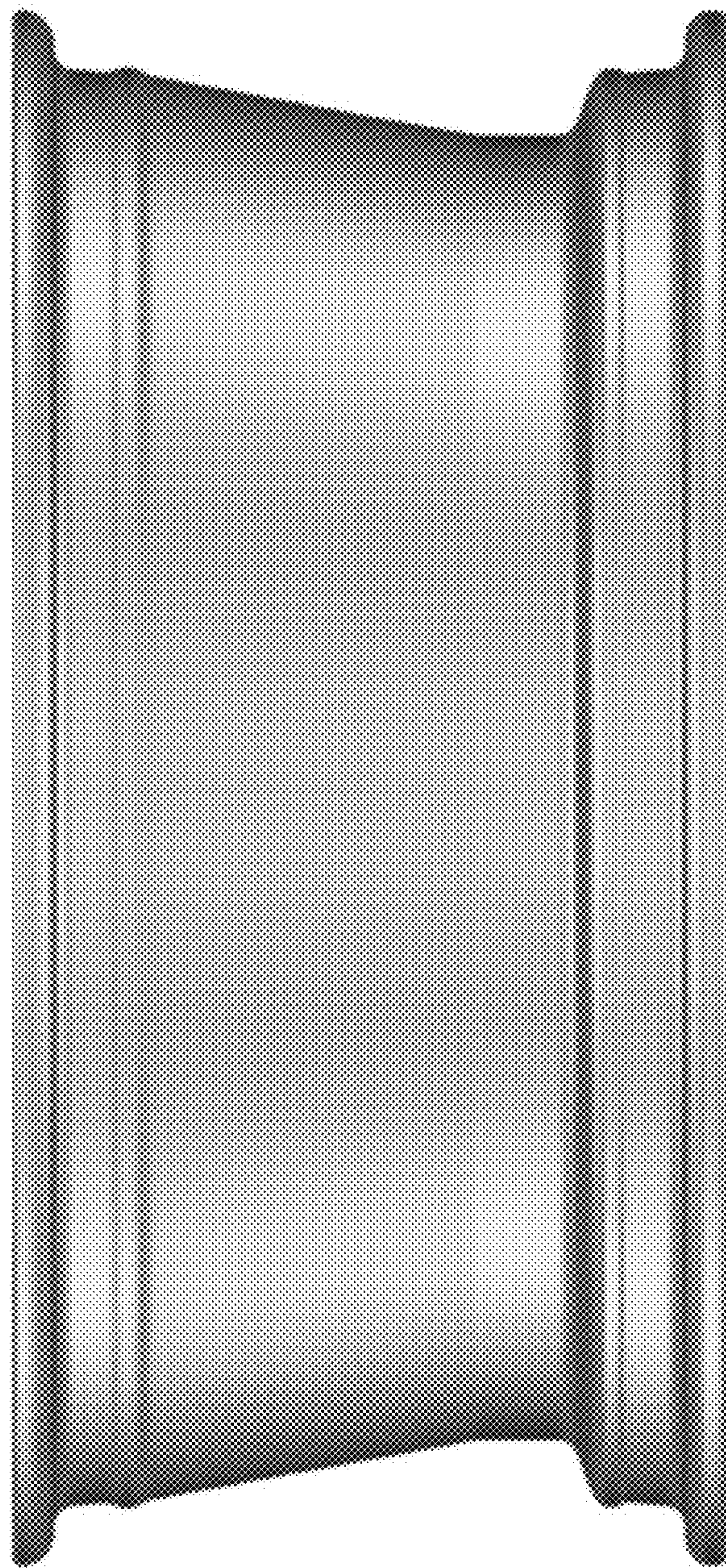




Fig. 8

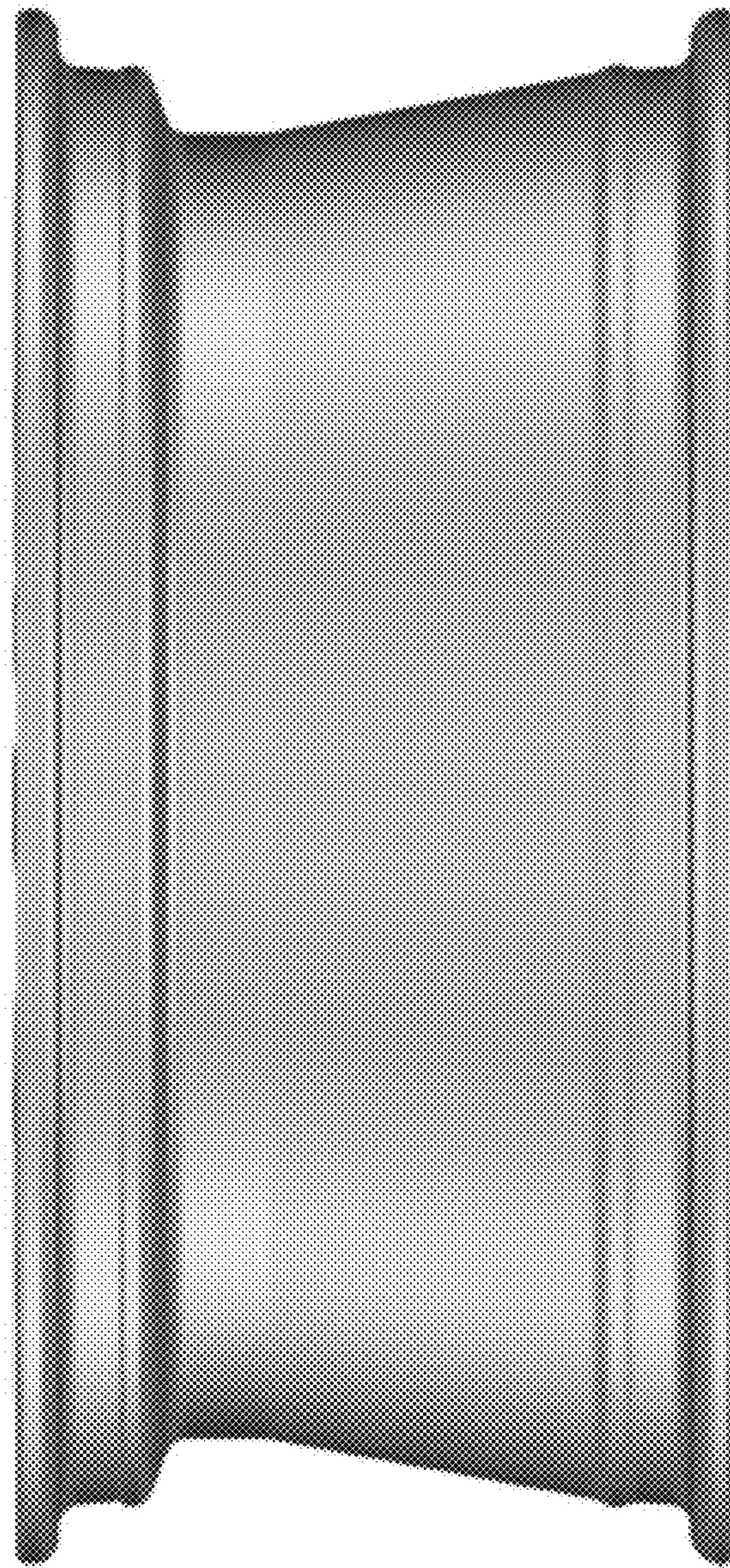




Fig. 9

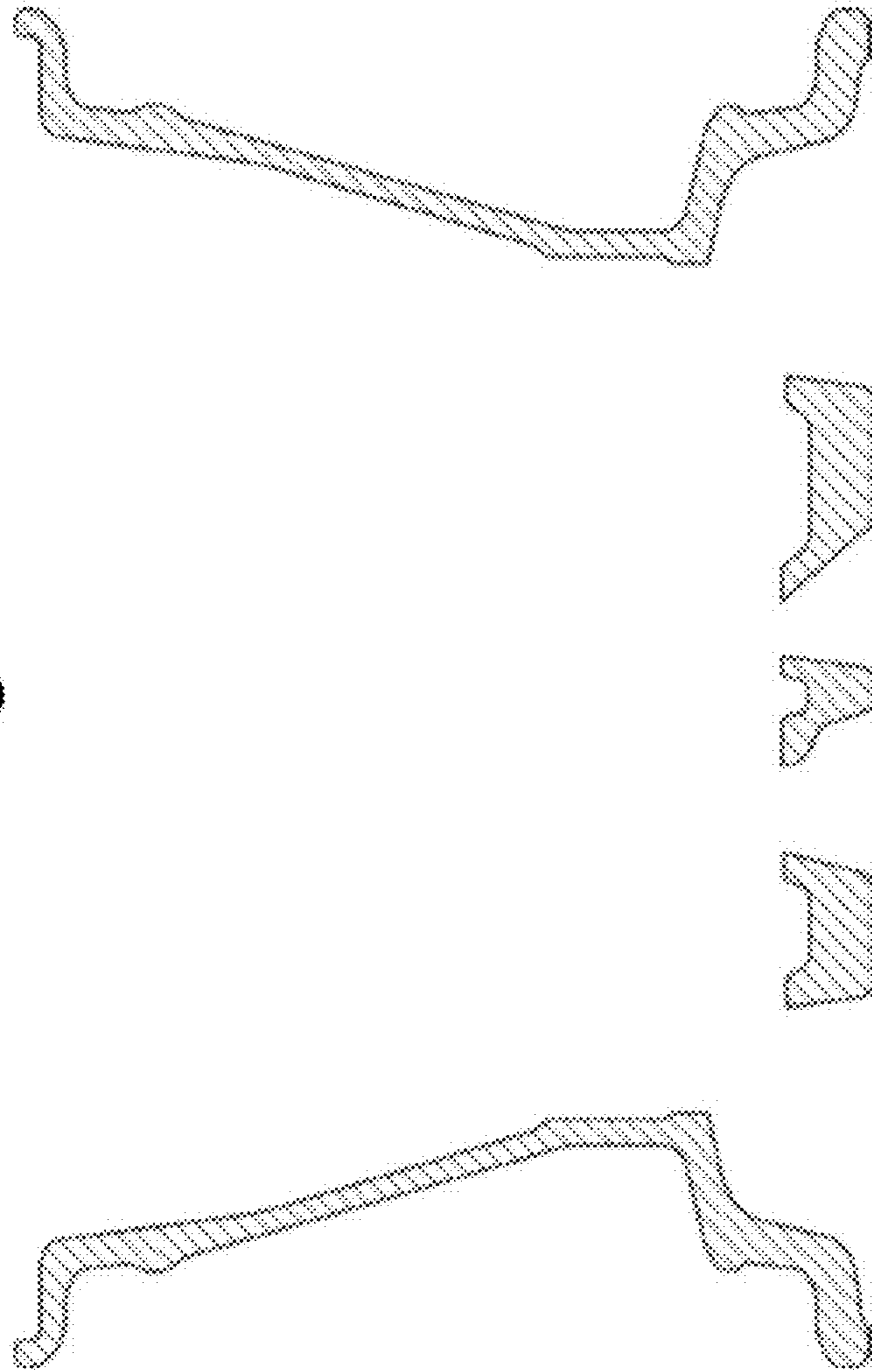




Fig. 10

