



US00D836052S

(12) **United States Design Patent**
Sempek

(10) **Patent No.:** **US D836,052 S**

(45) **Date of Patent:** **** Dec. 18, 2018**

(54) **WHEEL RIM**

(71) Applicant: **Allied Wheel Components**, Garden Grove, CA (US)

(72) Inventor: **Christopher Sean Sempek**, Long Beach, CA (US)

(73) Assignee: **ALLIED WHEEL COMPONENTS**, Garden Grove, CA (US)

(**) Term: **15 Years**

(21) Appl. No.: **29/556,322**

(22) Filed: **Feb. 29, 2016**

(51) **LOC (11) Cl.** **12-16**

(52) **U.S. Cl.**

USPC **D12/209**

(58) **Field of Classification Search**

USPC D12/204–213; D21/533, 561, 563

CPC B60B 7/00; B60B 7/02; B60B 7/04; B60B

7/06; B60B 3/02; B60B 3/04; B60B 3/06;

B60B 3/10; B60B 1/00; B60B 1/08;

B60B 1/10; B60B 1/12

See application file for complete search history.

(56) **References Cited**

U.S. PATENT DOCUMENTS

D417,646 S * 12/1999 Baumgartner D12/211

D461,441 S * 8/2002 Hartanto D12/211

D534,473 S * 1/2007 Bernoni D12/211

D537,767 S * 3/2007 Pfeiffer D12/211

D599,268 S * 9/2009 Bernoni D12/211

D639,222 S	6/2011	Johnson	
D642,105 S *	7/2011	Chung	D12/209
D675,143 S *	1/2013	Gebert	D12/209
D710,780 S *	8/2014	Borkert	D12/211
D726,627 S *	4/2015	Chung	D12/211
D748,558 S *	2/2016	Hans	D12/211
D755,690 S *	5/2016	von Tardy-Tuch	D12/209
D786,159 S *	5/2017	Boyd	D12/211
D806,631 S *	1/2018	Sempek	D12/211
D811,978 S *	3/2018	Hodges	D12/211

FOREIGN PATENT DOCUMENTS

EM 002461301 * 5/2014

OTHER PUBLICATIONS

Raceline Wheels catalog, vol. 22.

* cited by examiner

Primary Examiner — Sheryl Lane

Assistant Examiner — Calvin E Vansant

(74) *Attorney, Agent, or Firm* — Fish IP Law, LLP

(57) **CLAIM**

I claim the ornamental design for a wheel rim, as shown and described.

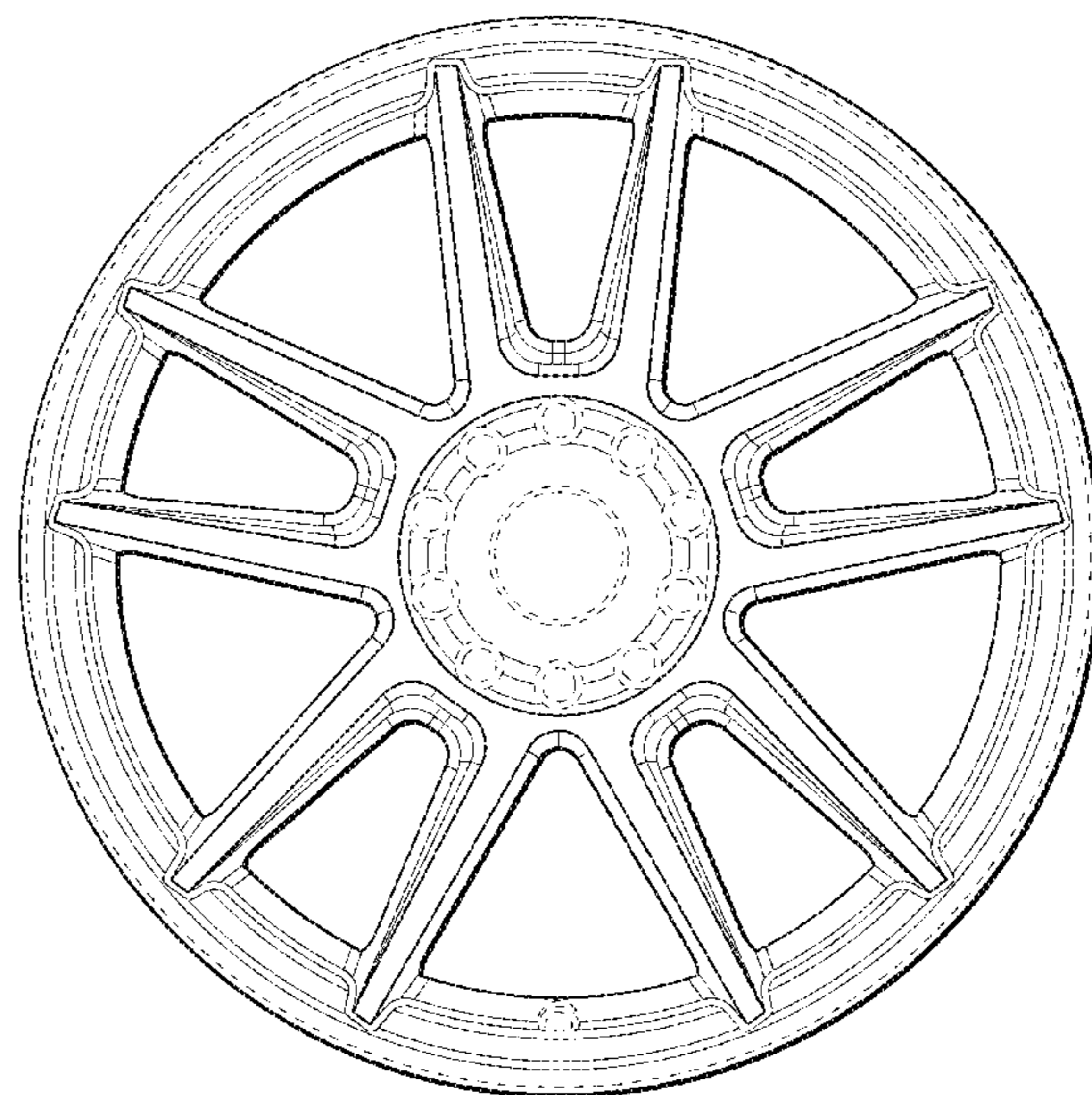
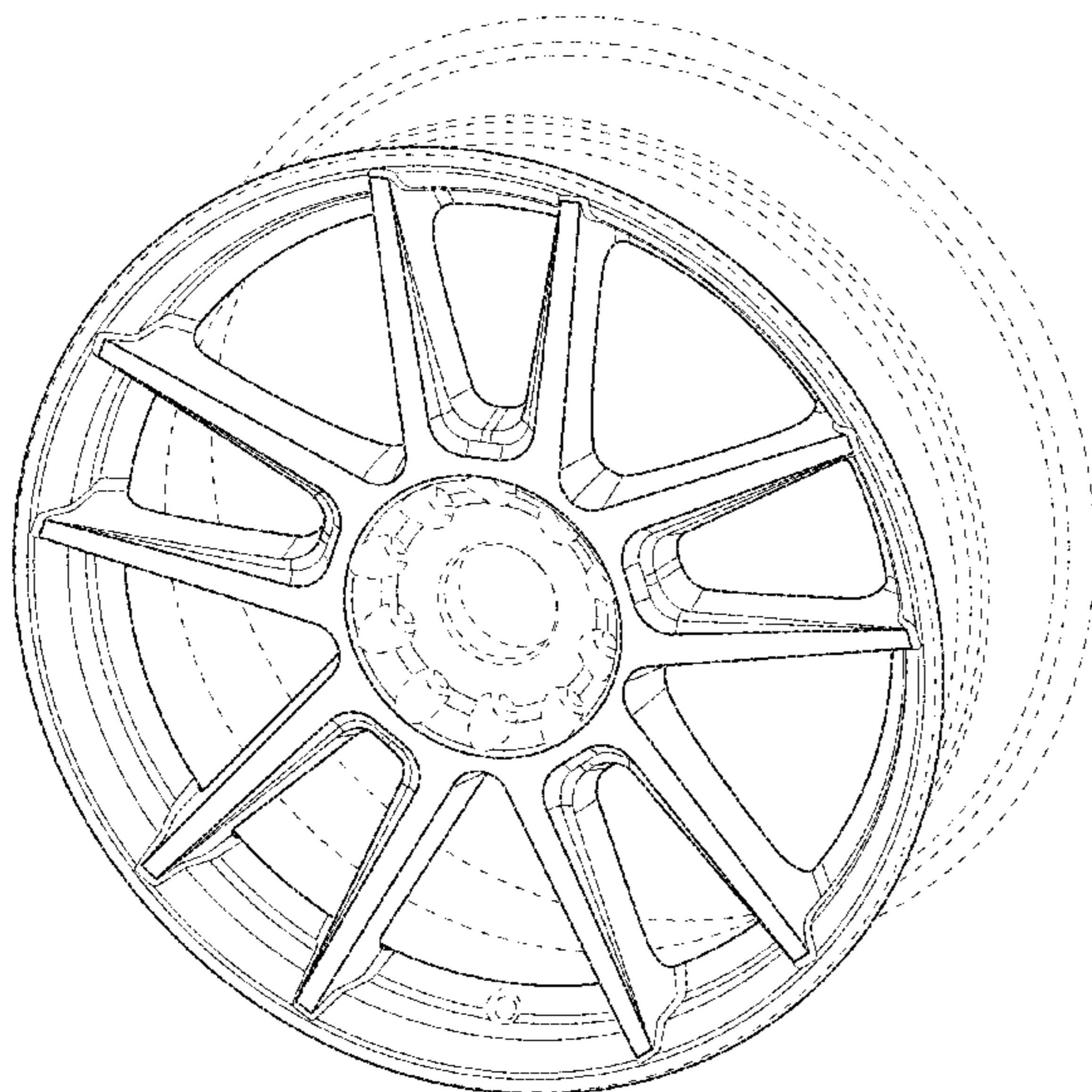
DESCRIPTION

FIG. 1 is a top, front, right side perspective view of a wheel rim of the new design; and,

FIG. 2 is a front elevation view thereof.

The broken lines depict portions of the wheel rim that form no part of the claimed design.

1 Claim, 2 Drawing Sheets



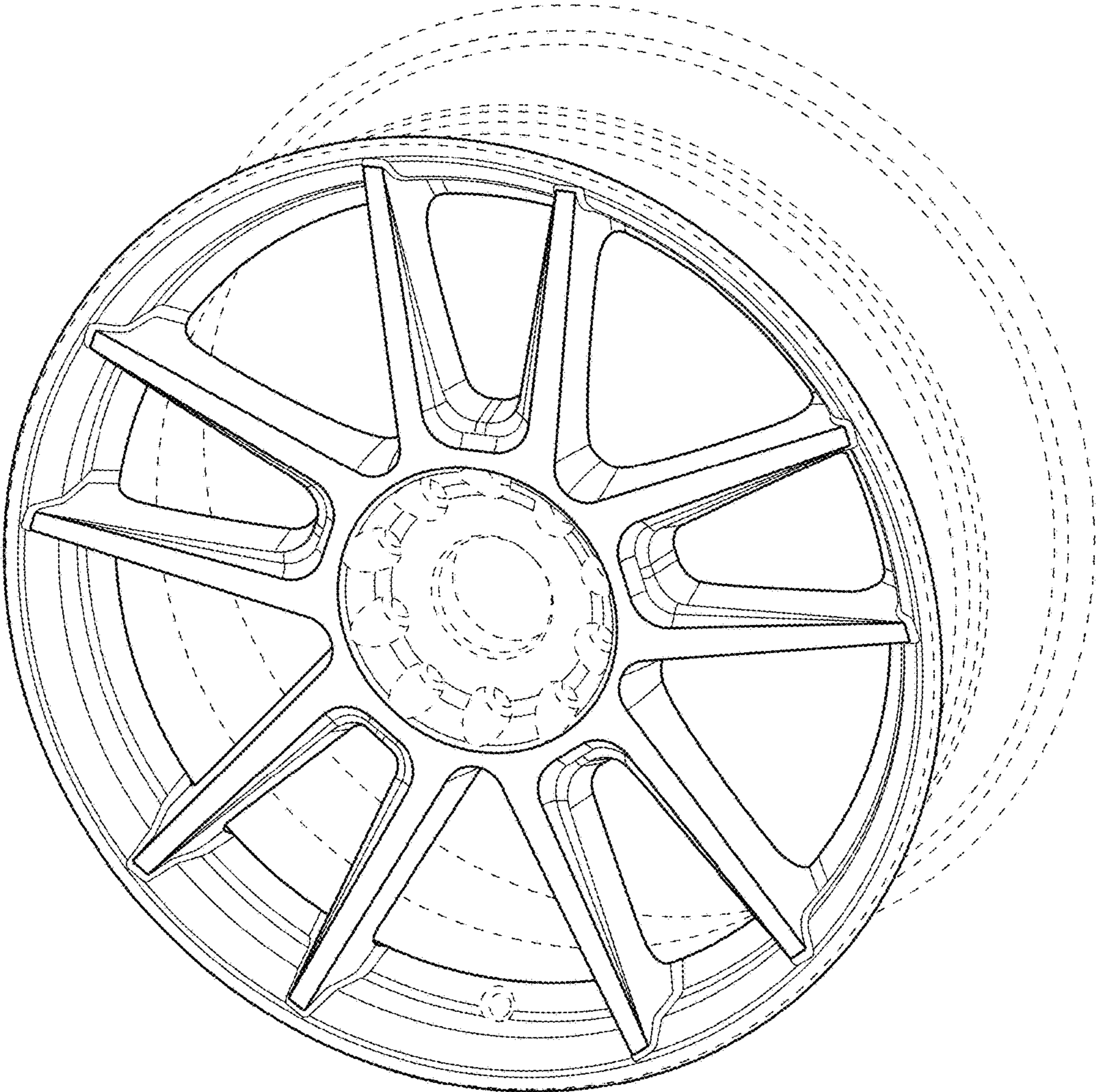


FIG. 1

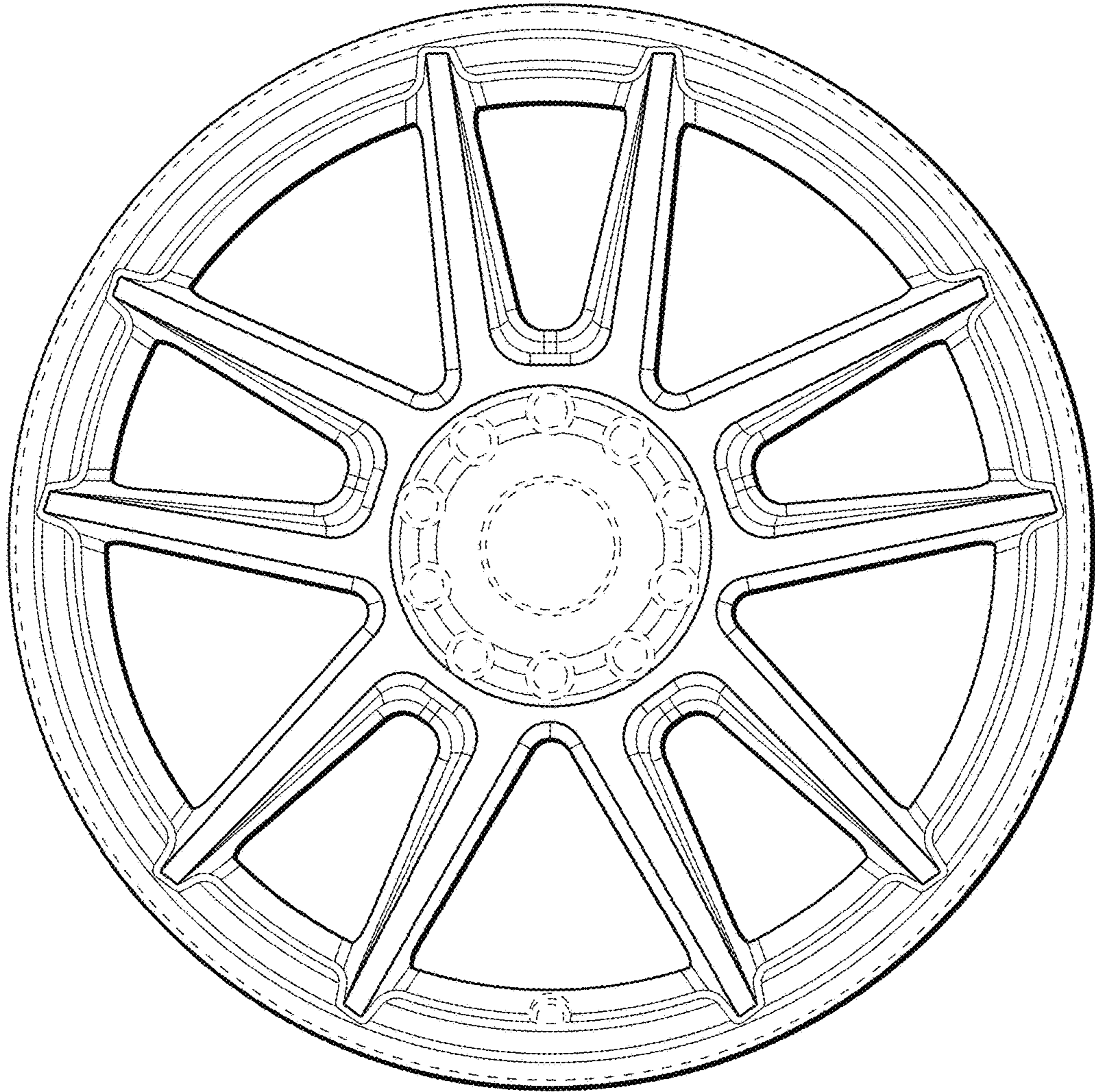


FIG. 2