



US00D836050S

(12) **United States Design Patent**
Goplen et al.

(10) **Patent No.:** **US D836,050 S**

(45) **Date of Patent:** **** Dec. 18, 2018**

(54) **GASEOUS DILUTER**

(71) Applicant: **Nelson Global Products, Inc.,**
Stoughton, WI (US)

(72) Inventors: **Kevin Goplen, Deerfield, WI (US);**
Robert Schellin, Stoughton, WI (US)

(73) Assignee: **Nelson Global Products, Inc.,**
Stoughton, WI (US)

(**) Term: **15 Years**

(21) Appl. No.: **29/575,745**

(22) Filed: **Aug. 29, 2016**

(51) **LOC (11) Cl.** **12-16**

(52) **U.S. Cl.**
USPC **D12/194**

(58) **Field of Classification Search**
USPC D12/194; D15/5
CPC F01N 13/082; F01N 13/1805; F01N 13/20
See application file for complete search history.

(56) **References Cited**

U.S. PATENT DOCUMENTS

1,813,189 A	7/1931	Moore	
D111,977 S	11/1938	Koch	
D112,482 S	12/1938	Koch	
2,161,895 A	6/1939	Brenner	
2,192,922 A	3/1940	Lyon	
D124,393 S	12/1940	Russell	
D125,644 S *	3/1941	Russell	D12/194
2,252,228 A	8/1941	Koch, Jr.	
D159,864 S	8/1950	Russell	
D162,112 S	2/1951	Baker	
2,586,788 A	2/1952	Cushman	
4,198,817 A *	4/1980	Fujita	F01N 3/05 60/319
D254,904 S	5/1980	Swearingen	

4,227,651 A	10/1980	Abe
D451,925 S	12/2001	Williams
D539,893 S	4/2007	Badick
D558,111 S	12/2007	Banks, III

(Continued)

Primary Examiner — Michael A. Pratt

(74) *Attorney, Agent, or Firm* — Smith Law Office; Jeffrey W. Smith

(57) **CLAIM**

The ornamental design for a gaseous diluter, as shown and described.

DESCRIPTION

FIG. 1 is a lower front and right side perspective view of an embodiment of a gaseous diluter in accordance with our new design.

FIG. 2 is a front side view of the gaseous diluter of FIG. 1. FIG. 3 is a back side view of the gaseous diluter of FIG. 1. FIG. 4 is a top side view of the gaseous diluter of FIG. 1. FIG. 5 is a bottom side view of the gaseous diluter of FIG. 1.

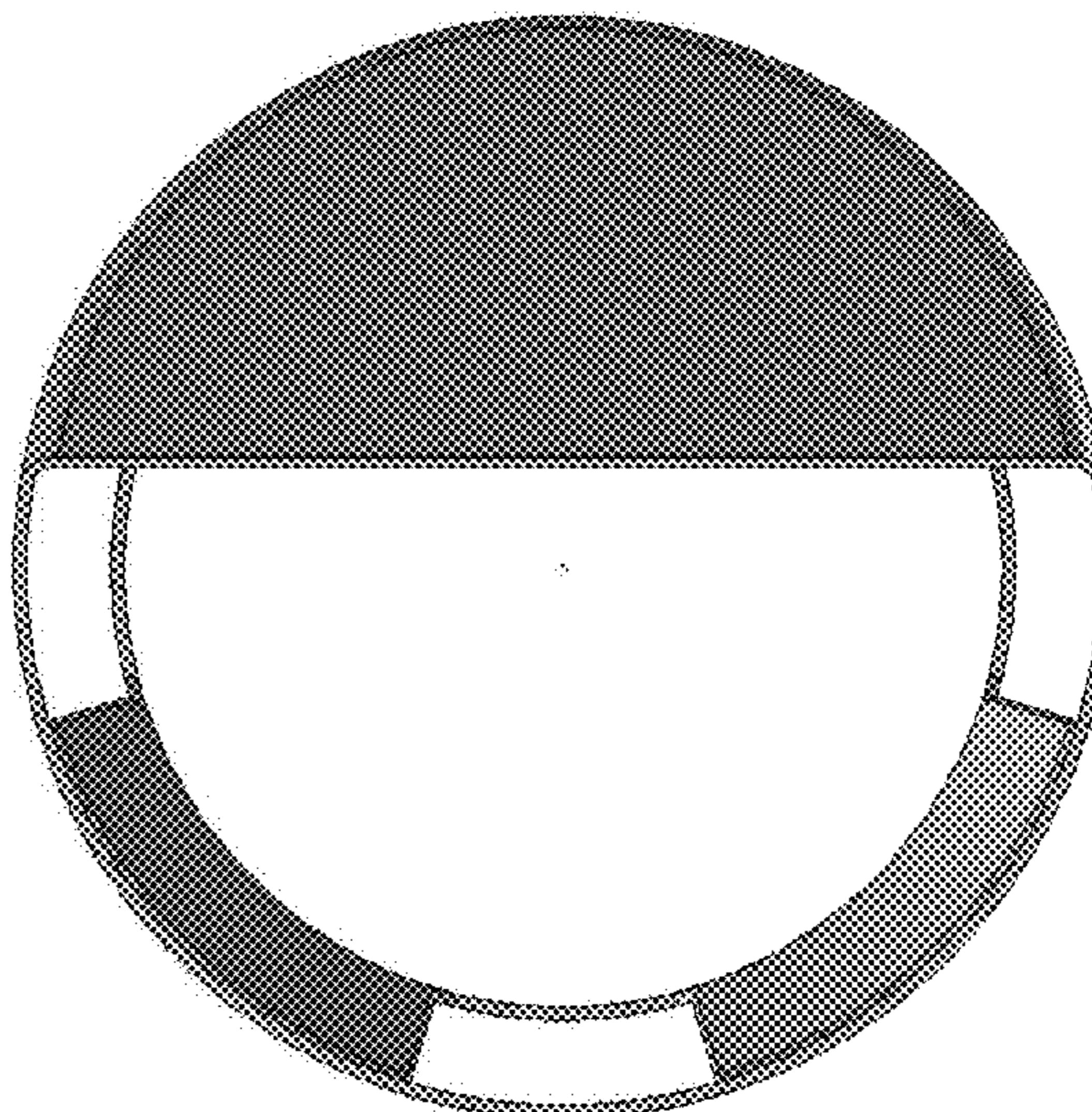
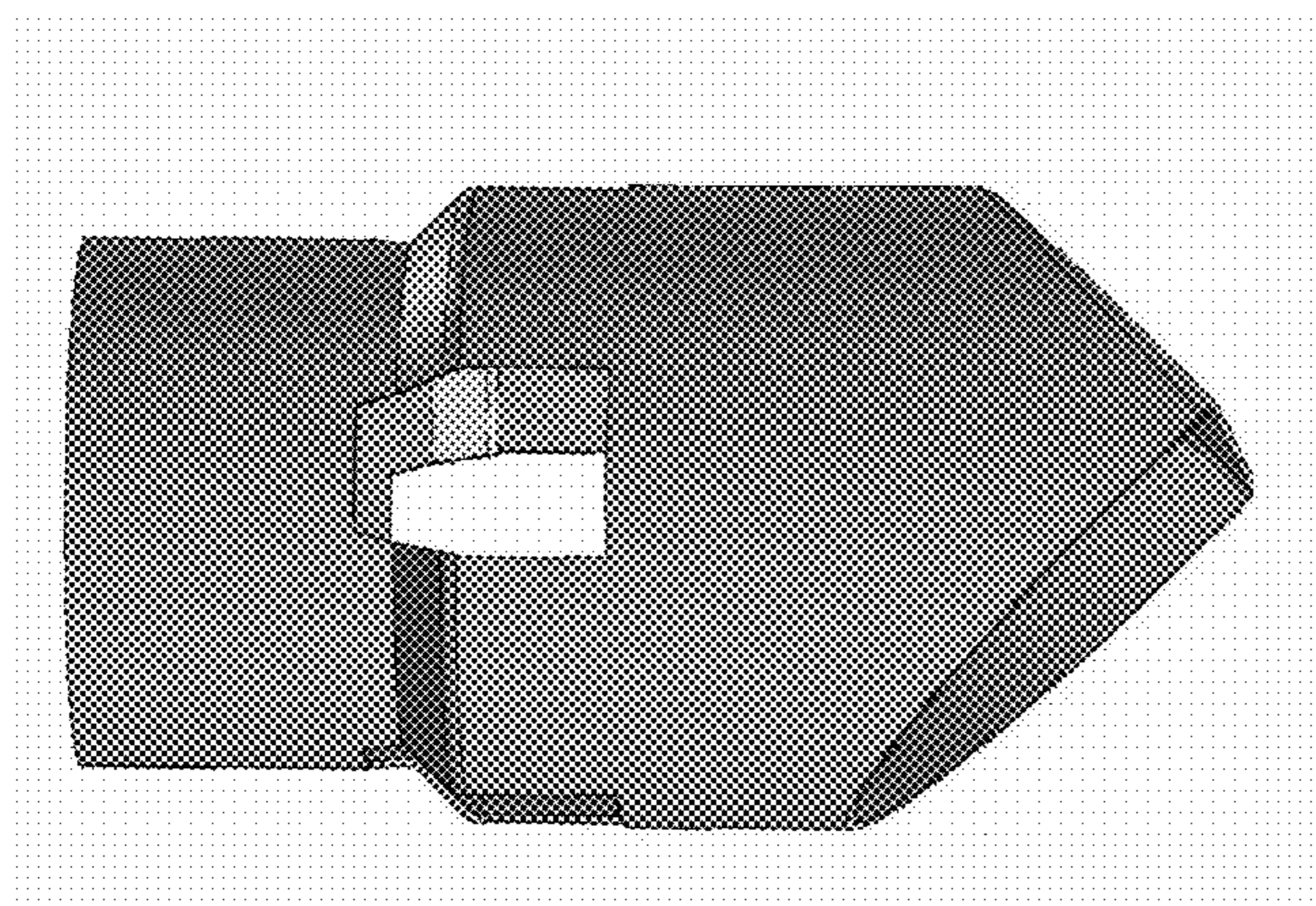
FIG. 6 is a right end view of the gaseous diluter of FIG. 1. FIG. 7 is a left end view of the gaseous diluter of FIG. 1. FIG. 8 is a perspective view of another embodiment of a gaseous diluter in accordance with our new design.

FIG. 9 is a front side view of the gaseous diluter of FIG. 8. FIG. 10 is a back side view of the gaseous diluter of FIG. 8. FIG. 11 is a top side view of the gaseous diluter of FIG. 8. FIG. 12 is a bottom side view of the gaseous diluter of FIG. 8.

FIG. 13 is a right end view of the gaseous diluter of FIG. 8; and,

FIG. 14 is a left end view of the gaseous diluter of FIG. 8.

1 Claim, 14 Drawing Sheets



(56)

References Cited

U.S. PATENT DOCUMENTS

7,637,099	B2	12/2009	Ranganathan et al.	
7,762,064	B2	7/2010	Tennison	
7,779,961	B2	8/2010	Matte	
7,913,489	B2	3/2011	Angoshtari et al.	
8,001,775	B2	8/2011	Krajewski et al.	
8,042,329	B2 *	10/2011	Saunders	F01N 13/082 60/317
8,056,327	B2	11/2011	Brown et al.	
8,272,210	B2	9/2012	Keller	
D669,012	S	10/2012	Spanos et al.	
8,341,948	B2	1/2013	Freese	
8,468,811	B2 *	6/2013	Smith	F01N 13/082 60/317
8,534,056	B2	9/2013	Batdorff	
D734,229	S *	7/2015	Derks	D12/194
2011/0239637	A1	10/2011	Ochsner et al.	
2012/0017566	A1	1/2012	Krajewski et al.	
2014/0182718	A1	7/2014	Wolfcarius et al.	

* cited by examiner

Fig. 1

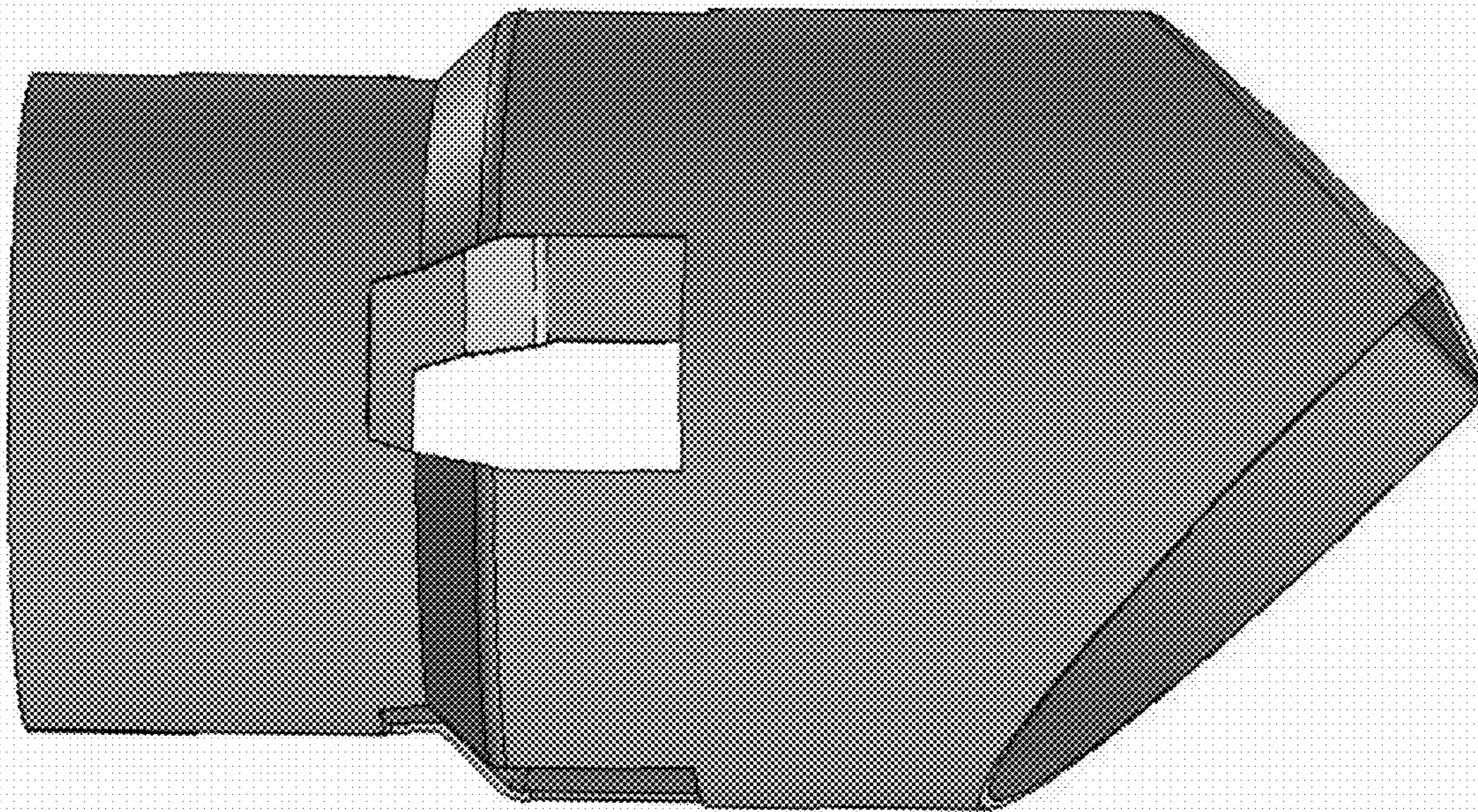


Fig. 2

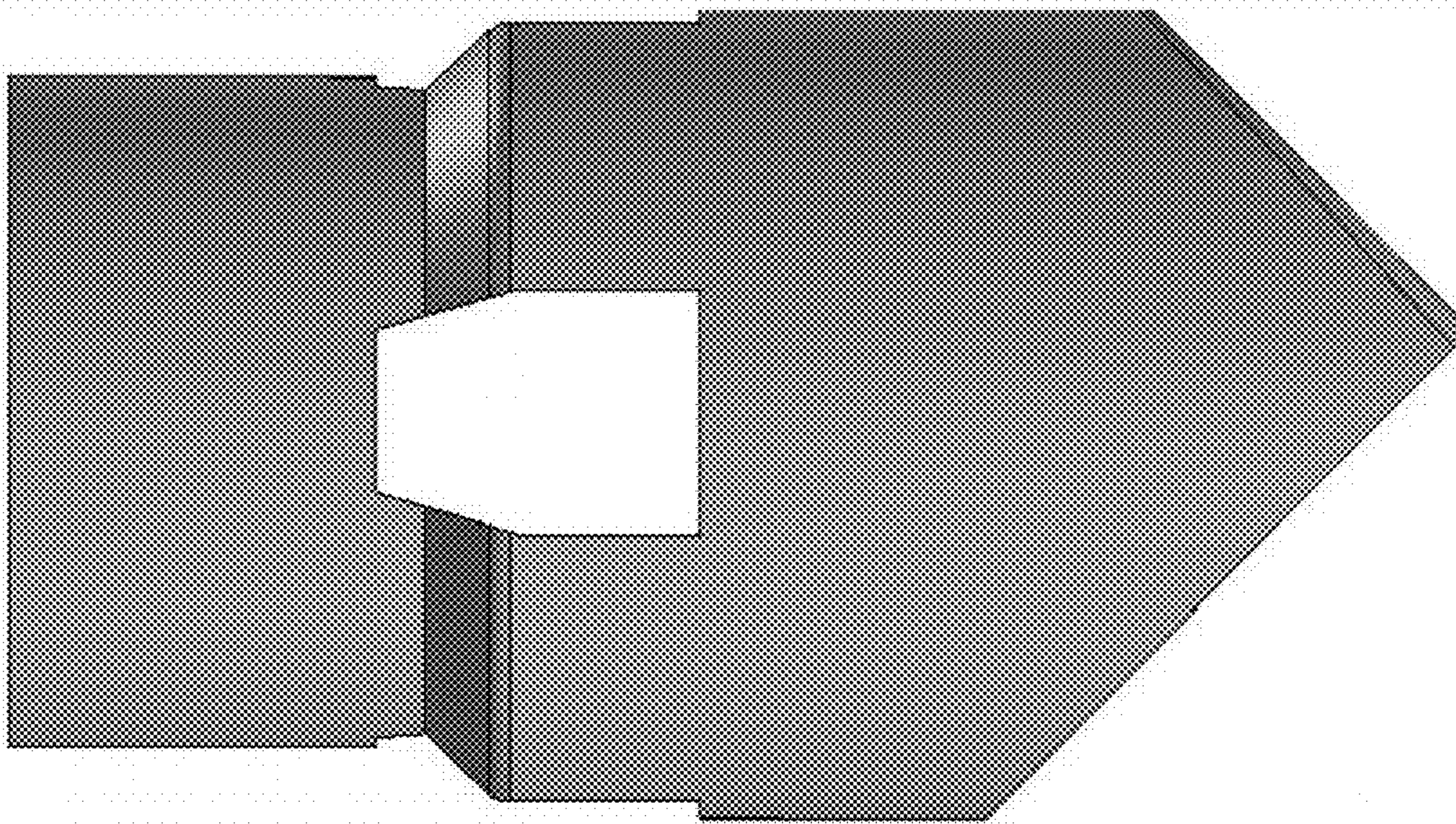


Fig. 3

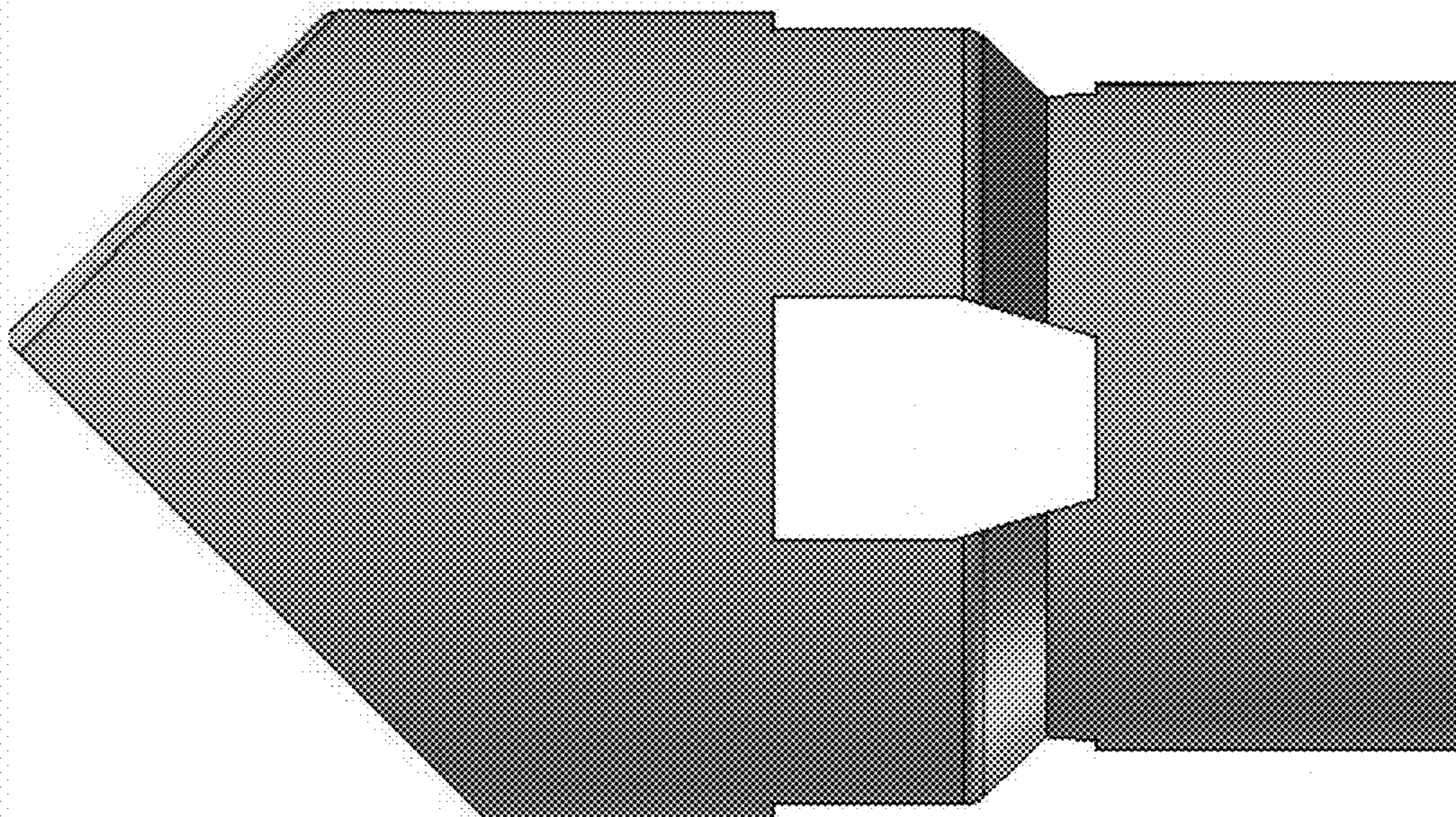


Fig. 4

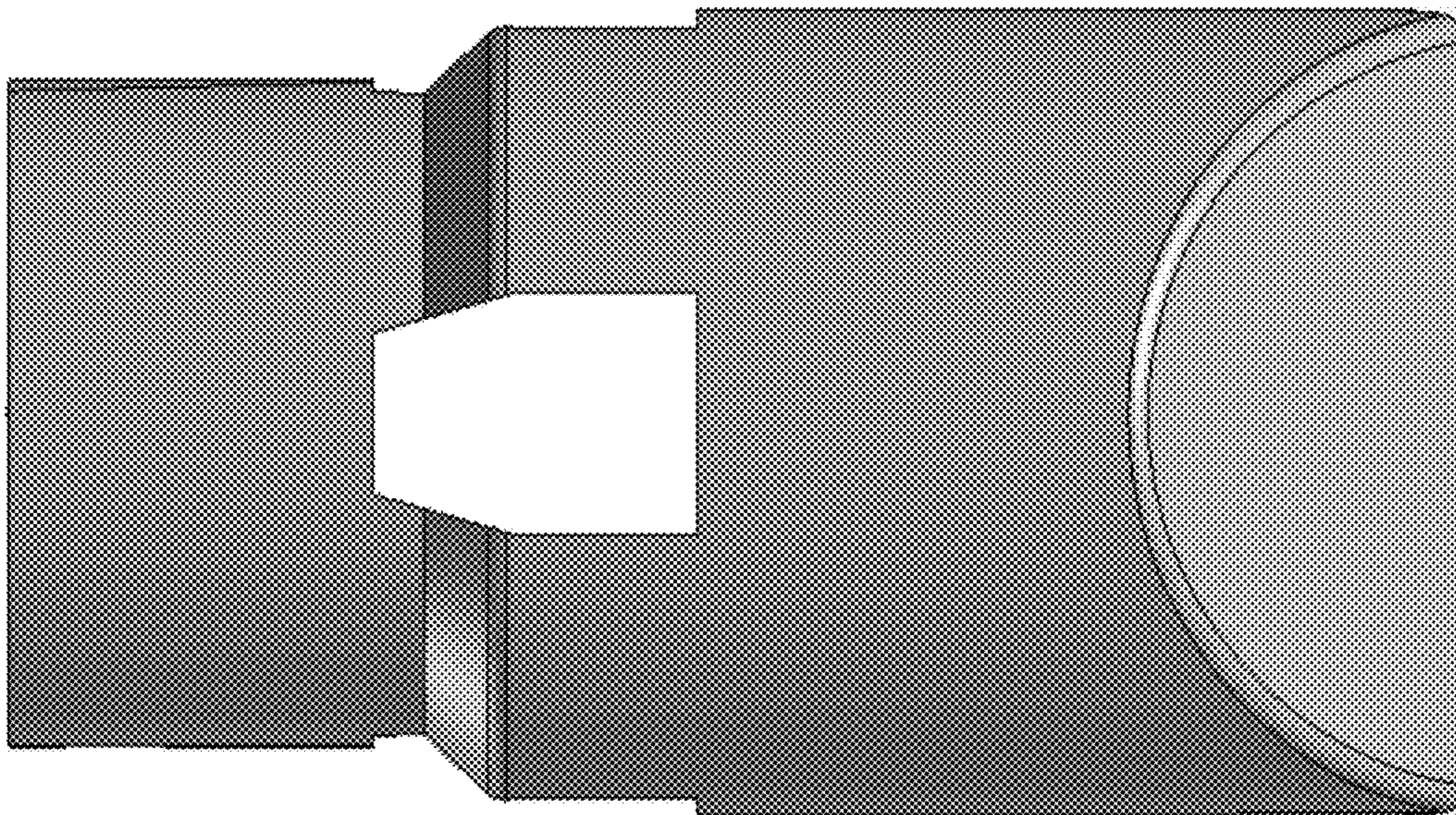


Fig. 5

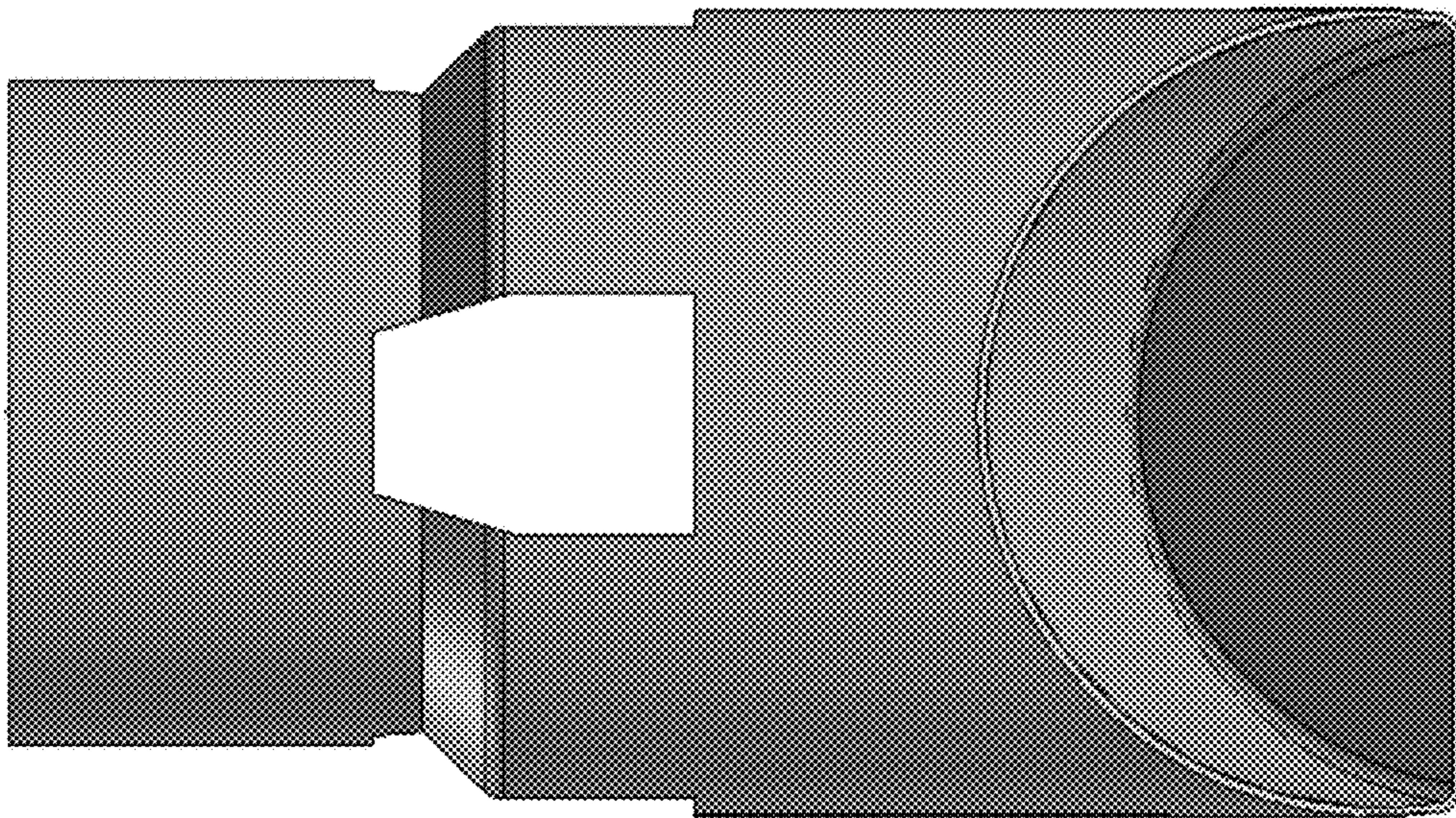


Fig. 6

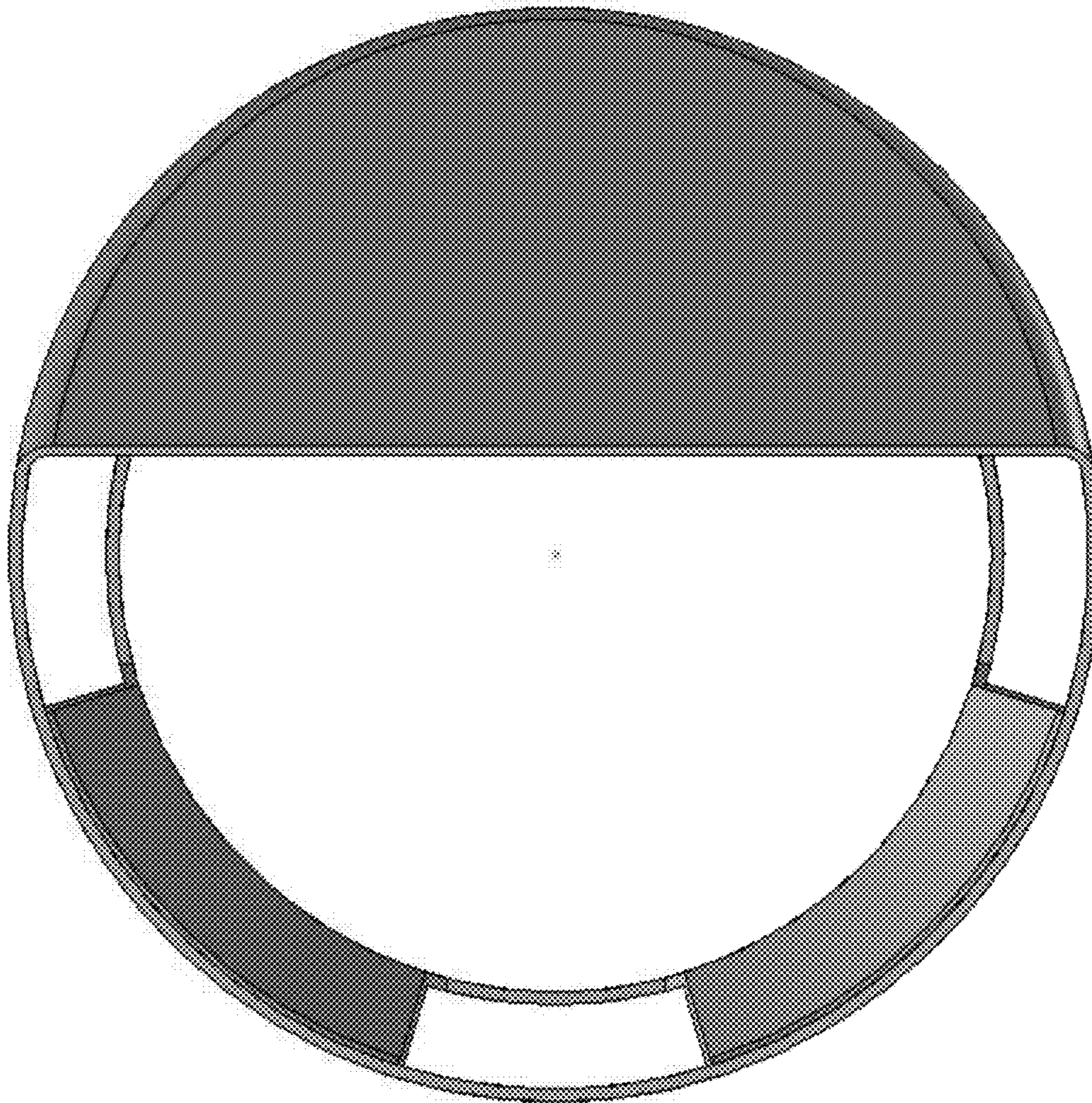


Fig. 7

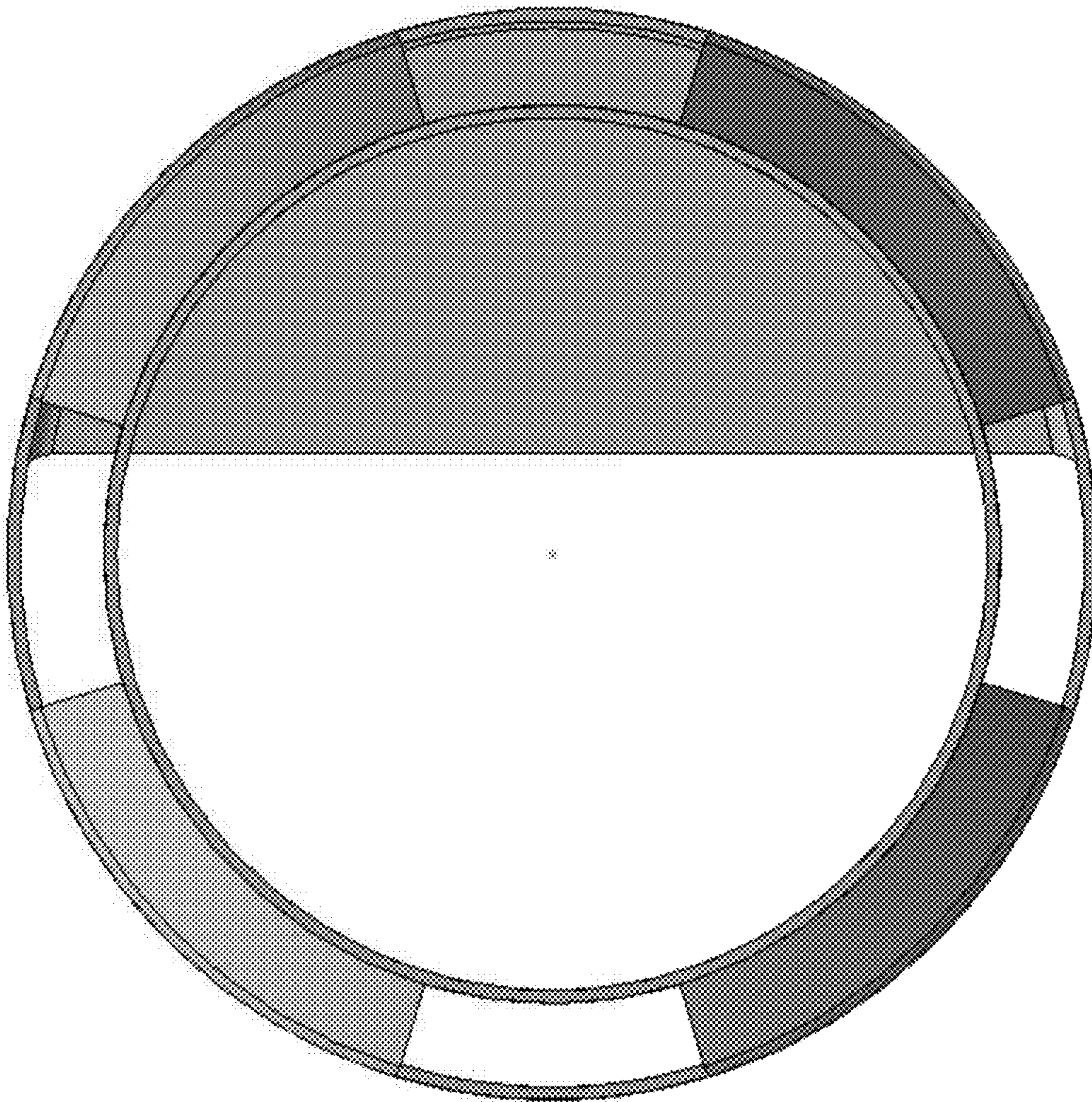


Fig. 8

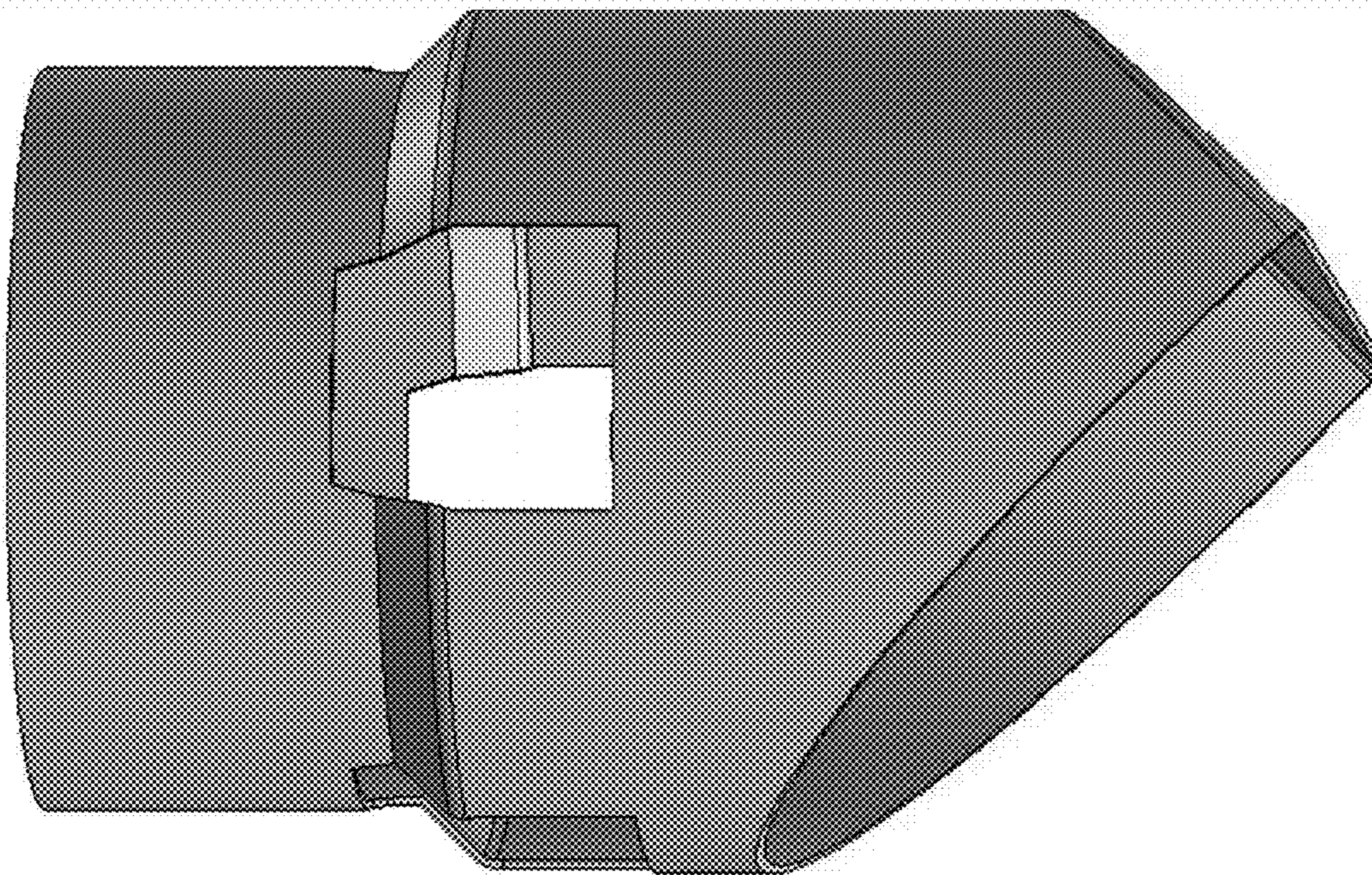


Fig. 9

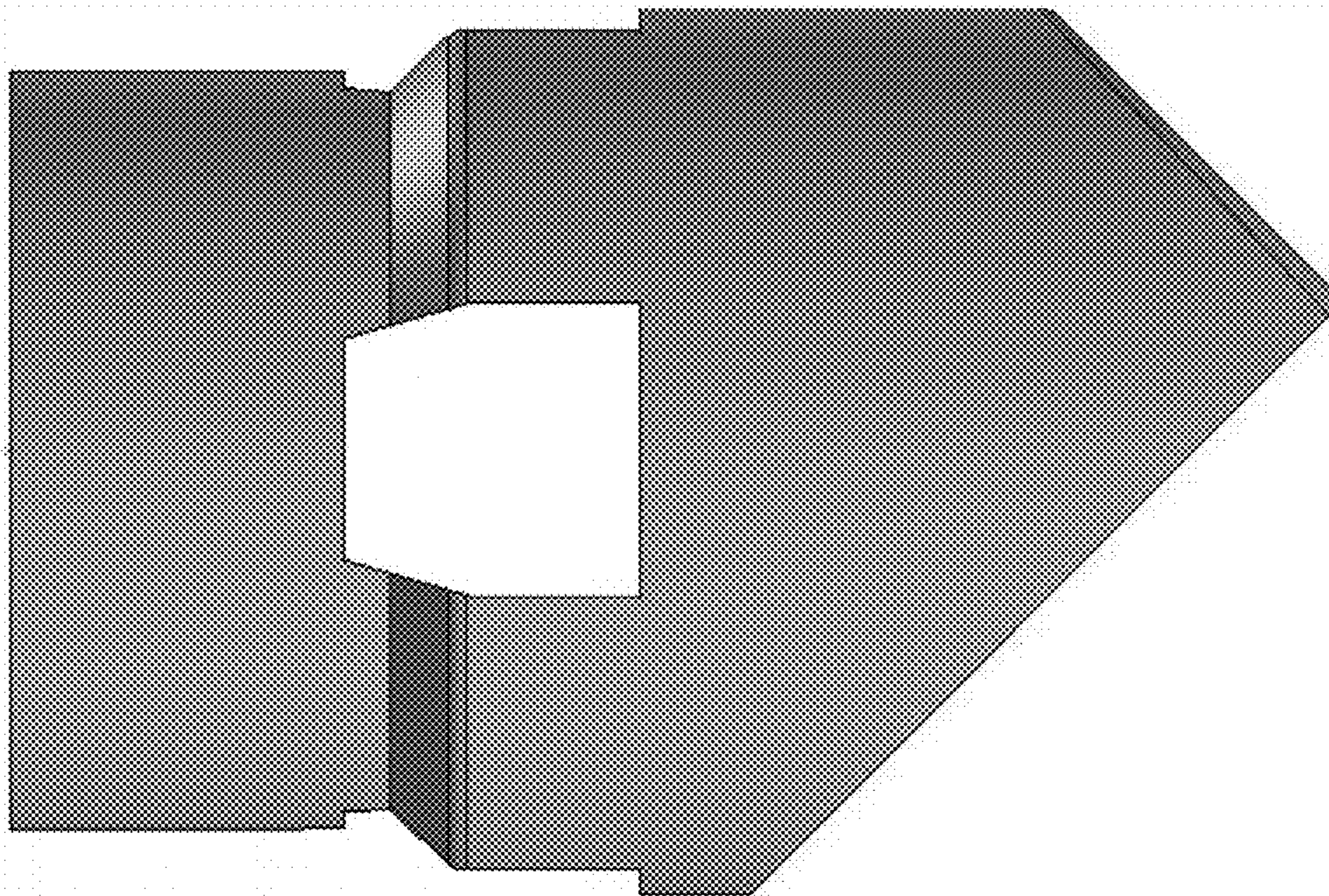


Fig. 10

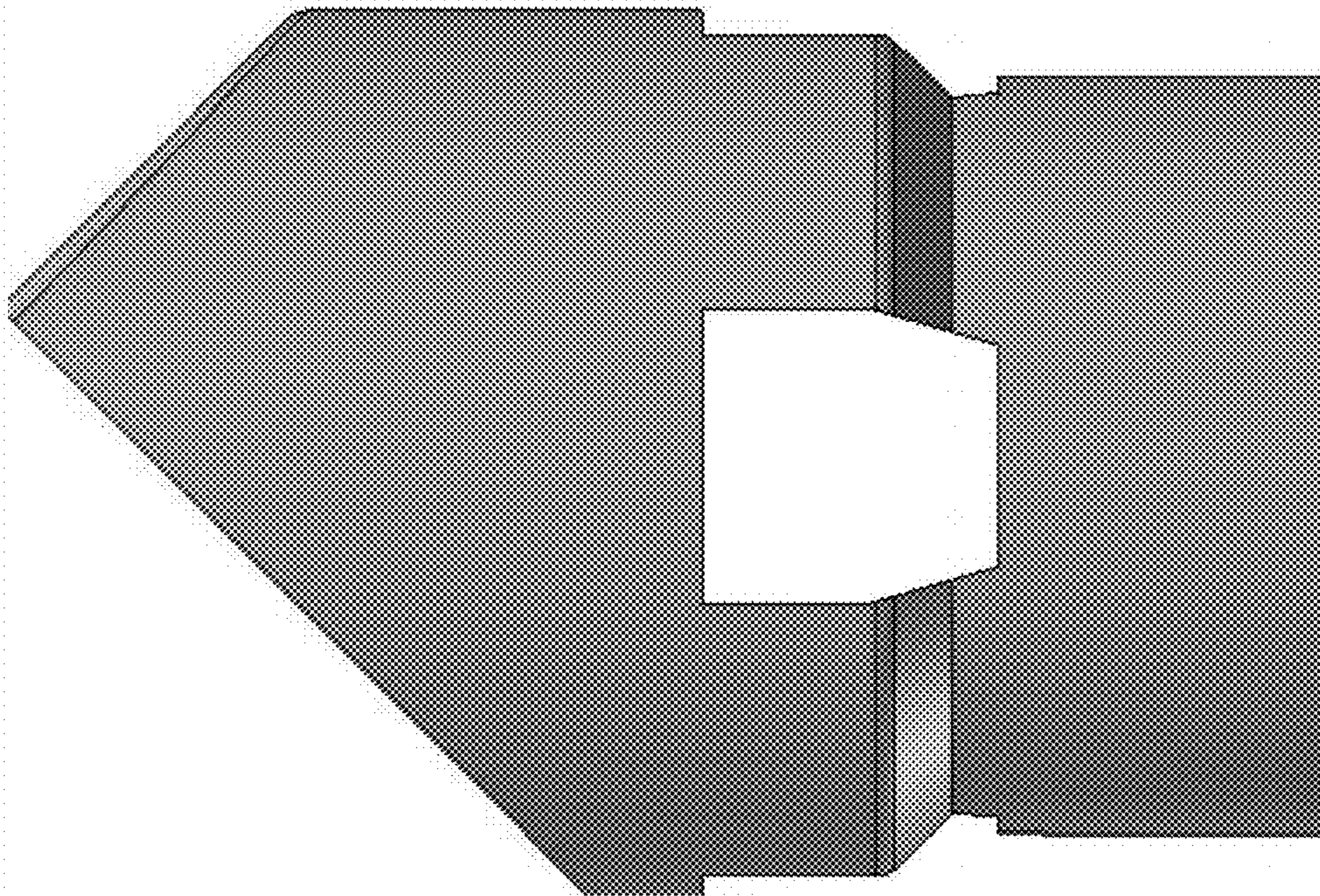


Fig. 11

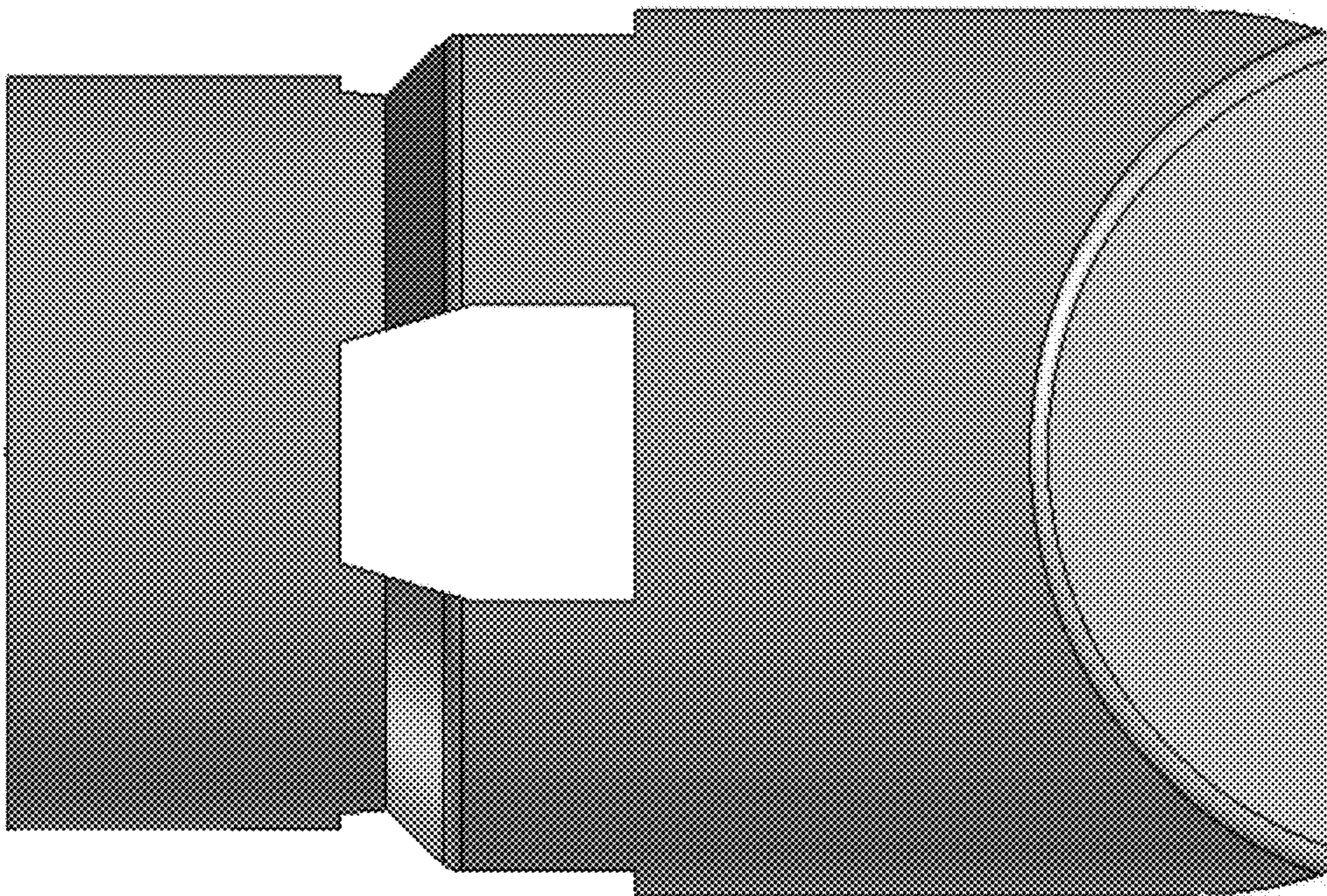


Fig. 12

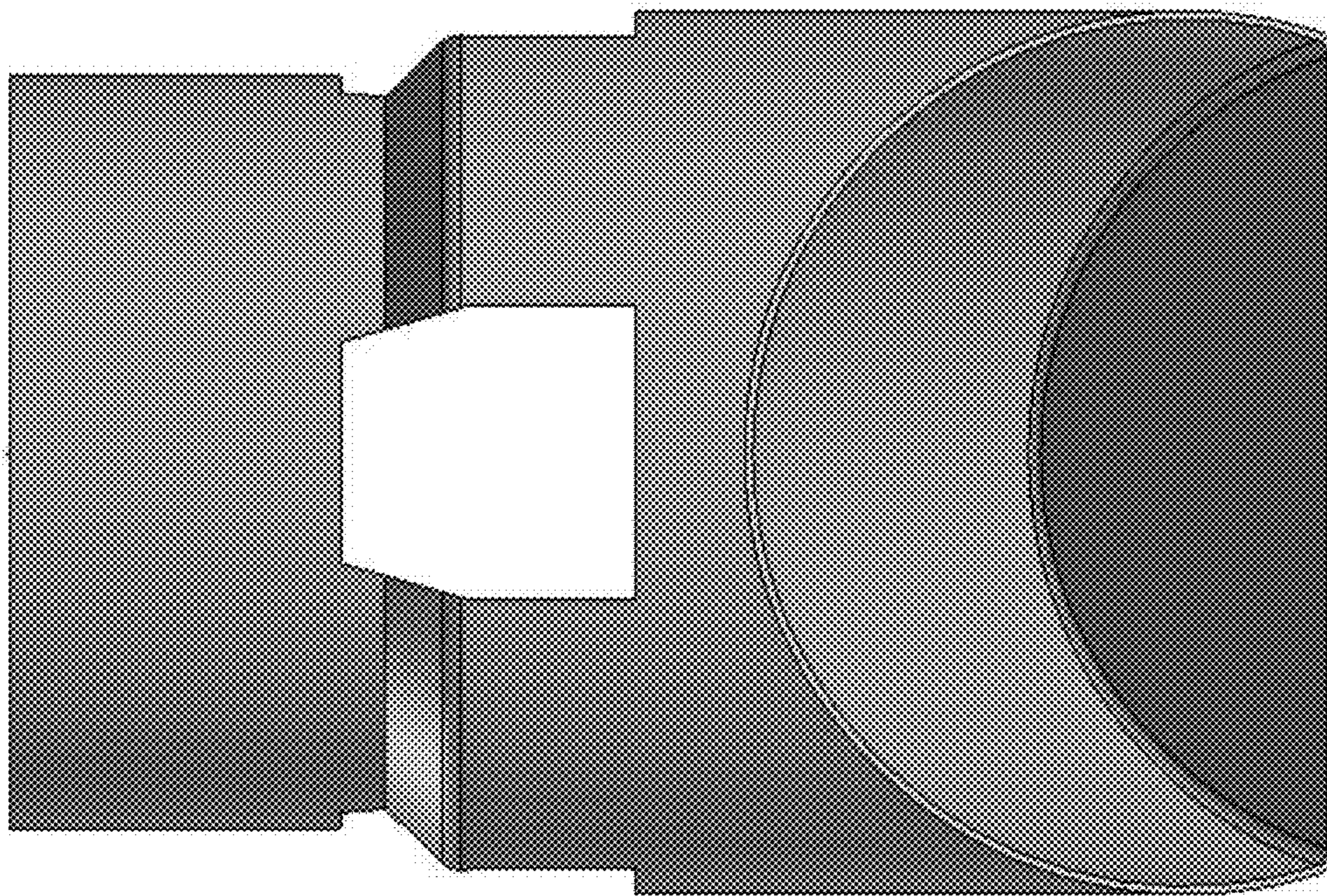


Fig. 13

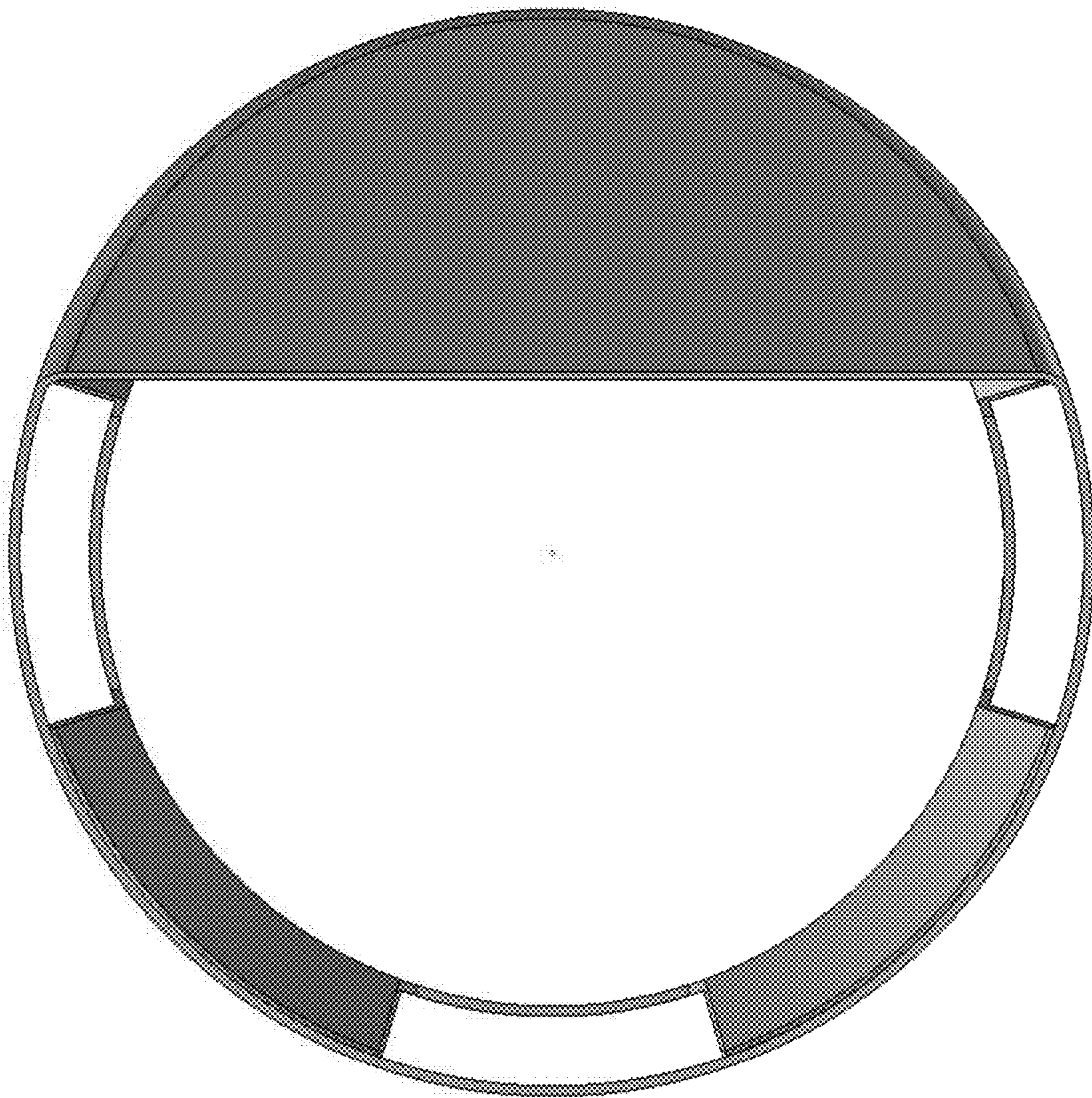


Fig. 14

