



US00D836048S

(12) **United States Design Patent** (10) **Patent No.:** **US D836,048 S**
Norbury, Jr. (45) **Date of Patent:** **** Dec. 18, 2018**

(54) **THREE VANE LOUVER**

FOREIGN PATENT DOCUMENTS

(71) Applicant: **Cary Products, Inc.**, Hutchins, TX
(US)

CN 101294577 10/2008
DE 2519846 11/1976

(Continued)

(72) Inventor: **Raymond L. Norbury, Jr.**,
Duncanville, TX (US)

OTHER PUBLICATIONS

(73) Assignee: **Cary Products Co., Inc.**, Hutchins, TX
(US)

U.S. Patent and Trademark Office "Communication" for abandoned
U.S. Appl. No. 10/783,546, dated May 14, 2007.

(Continued)

(**) Term: **15 Years**

Primary Examiner — Katrina A Betton

(21) Appl. No.: **29/582,242**

(74) *Attorney, Agent, or Firm* — Meyertons, Hood,
Kivlin, Kowert & Goetzel, P.C.

(22) Filed: **Oct. 26, 2016**

(51) **LOC (11) Cl.** **12-16**

(52) **U.S. Cl.**
USPC **D12/192**

(58) **Field of Classification Search**
USPC D12/192, 415, 418, 419, 110, 114, 345;
D10/46, 98, 102-103, 122-127; D15/17,
D15/28

CPC B60H 1/34; B60H 1/3407; B60H 1/3414;
B60H 1/3421; B60H 1/3428; B60H
1/3435; B60H 1/345; B60H 1/3457;
B60H 2001/3463; B60H 2001/3471;
B60H 2001/3478; B60H 2001/3485;
B69H 1/3442

See application file for complete search history.

(57) **CLAIM**

The ornamental design for a three vane louver, as shown and
described.

DESCRIPTION

FIG. 1 is a front, top and right side perspective view of a
three vane louver in a closed position;
FIG. 2 is a top view thereof;
FIG. 3 is a front view thereof;
FIG. 4 is a front, top and right side perspective view of the
three vane louver rotated on an axis relative to a base in an
open position;
FIG. 5 is a front view thereof;
FIG. 6 is a rear view thereof;
FIG. 7 is a top view thereof;
FIG. 8 is a bottom view thereof;
FIG. 9 is a right side view thereof;
FIG. 10 is a left side view thereof; and,
FIG. 11 is a front, top and right side perspective view of the
three vane louver without the base depicted for clarity.
The broken lines in the drawings are for illustrative purposes
only and form no part of the claimed design.

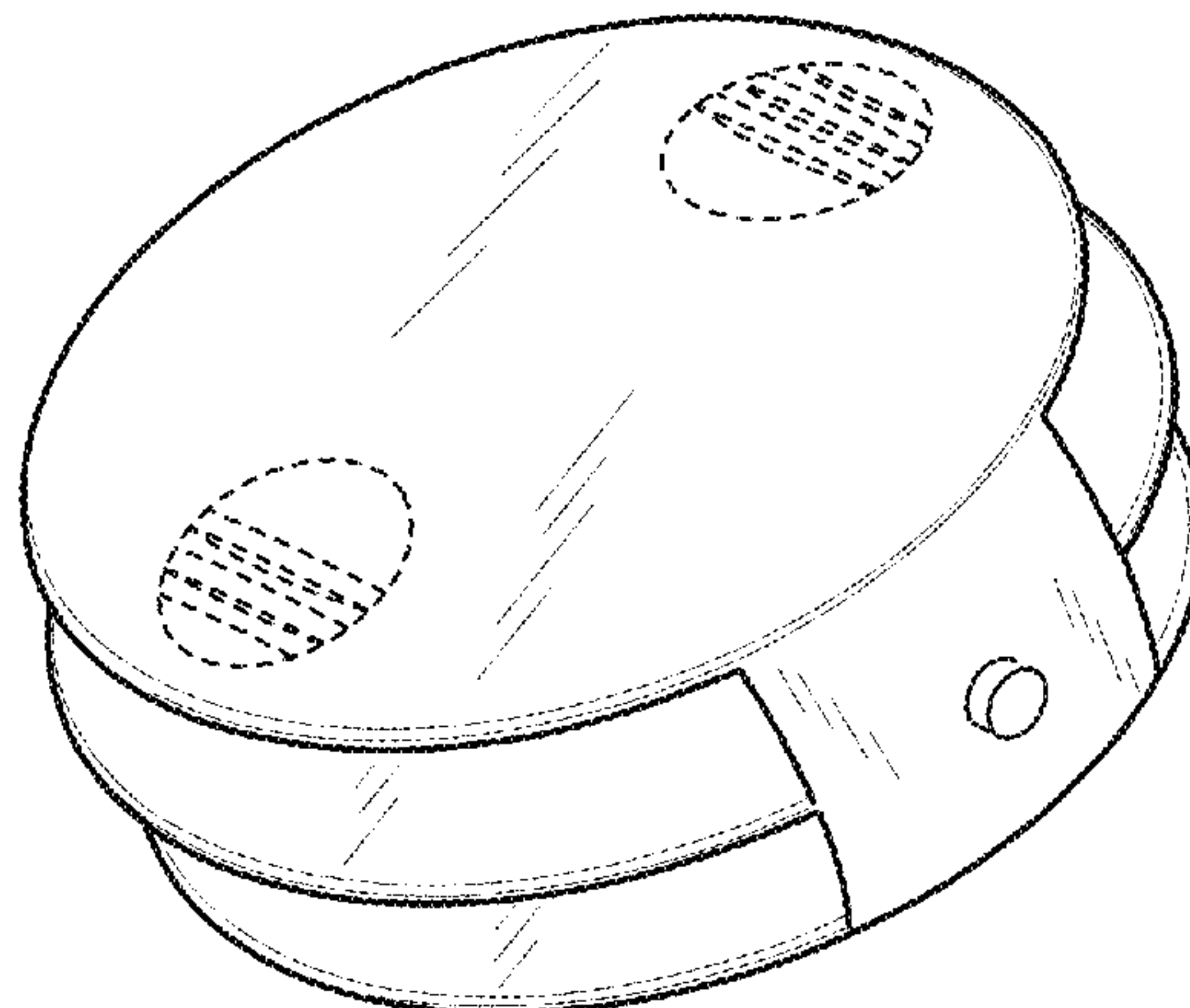
(56) **References Cited**

U.S. PATENT DOCUMENTS

1,284,267 A 11/1918 Eaton
1,866,154 A 7/1932 Ell
2,418,012 A 3/1947 Chester
2,632,861 A 3/1953 Morton et al.
3,143,284 A 8/1964 Lindsjo et al.
3,323,763 A 6/1967 Butts
3,509,393 A 4/1970 Roddy
3,587,442 A 6/1971 Jakeway
3,680,470 A 8/1972 Neece

(Continued)

1 Claim, 7 Drawing Sheets



(56)

References Cited

U.S. PATENT DOCUMENTS

3,708,243 A 1/1973 Wooden
 3,709,633 A 1/1973 Wooden
 3,710,094 A 1/1973 Monte et al.
 3,735,691 A 5/1973 Gofton et al.
 3,744,929 A 7/1973 Huntington
 3,952,712 A 4/1976 Hermanson
 3,988,973 A 11/1976 Honmann
 4,107,257 A 8/1978 Swin, Sr.
 4,142,227 A 2/1979 Aikens
 4,171,190 A 10/1979 Hudson
 4,345,510 A 8/1982 Sterett
 4,611,531 A 9/1986 Kucharczyk
 4,646,625 A 3/1987 Schroeder
 4,676,473 A 6/1987 Giles
 4,681,221 A 7/1987 Chickanosky et al.
 4,750,410 A 6/1988 Parker
 4,809,593 A 3/1989 Asselbergs
 4,924,349 A 5/1990 Buehler et al.
 4,943,209 A 7/1990 Beehler
 5,040,764 A 8/1991 Dubois
 5,103,976 A 4/1992 Murphy
 5,104,271 A 4/1992 Lechler
 5,177,858 A 1/1993 Jones
 5,230,612 A 7/1993 Murphy
 5,294,655 A 3/1994 Lee, Jr. et al.
 5,338,252 A 8/1994 Bowler et al.
 5,391,063 A 2/1995 Hantle et al.
 5,397,950 A 3/1995 Horbury, Jr. et al.
 5,399,119 A 3/1995 Birk et al.
 5,403,163 A 4/1995 Murphy
 5,418,692 A 5/1995 Nemoto
 5,469,658 A 11/1995 Digianni et al.
 5,501,634 A 3/1996 Wilder
 5,526,241 A 6/1996 Ferrell
 5,533,614 A 7/1996 Walker
 5,538,470 A 7/1996 Norbury, Jr. et al.
 5,547,365 A 8/1996 Chuang
 5,558,499 A 9/1996 Kobayashi
 5,575,715 A 11/1996 Norbury, Jr. et al.
 5,595,438 A 1/1997 Burd
 5,722,883 A 3/1998 Schwarz
 5,775,500 A 7/1998 Williams
 5,826,970 A 10/1998 Keller et al.
 5,836,677 A 11/1998 Connors et al.
 5,927,947 A 7/1999 Botros
 5,964,523 A 10/1999 Eversberg
 5,971,156 A 10/1999 Slocum et al.
 5,988,979 A 11/1999 Wang
 6,082,547 A 7/2000 Nentl et al.
 6,158,978 A 12/2000 Norbury, Jr.
 6,168,299 B1 1/2001 Yan
 6,290,596 B1 9/2001 Birdsong
 6,314,680 B1 11/2001 Buckwalter et al.
 6,481,233 B1 11/2002 Calvert
 6,494,780 B1 12/2002 Norbury, Jr.
 6,632,006 B1 10/2003 Rippel et al.
 D482,530 S * 11/2003 Evans D32/50
 6,736,442 B2 5/2004 Gebreselassie et al.
 6,779,910 B1 8/2004 Pelton
 7,063,507 B2 6/2006 Hsieh
 7,172,069 B2 2/2007 Coffin et al.
 7,203,416 B2 4/2007 Craw et al.
 7,384,168 B2 6/2008 Whitlow et al.
 D586,600 S 2/2009 Norbury, Jr.

7,527,402 B2 5/2009 Scown et al.
 7,681,630 B2 3/2010 Klassen et al.
 7,815,327 B2 10/2010 Shamshoian
 D648,662 S * 11/2011 Stephenson D12/192
 8,056,617 B2 11/2011 Klassen et al.
 8,312,873 B2 11/2012 Gagas et al.
 8,740,677 B2 * 6/2014 Steinbeiss B60H 1/3442
 454/152
 8,834,241 B2 * 9/2014 Uhlenbusch B60H 1/3421
 454/154
 D723,144 S * 2/2015 Rejkowski D23/324
 8,974,273 B2 * 3/2015 Uhlenbusch B60H 1/3442
 454/152
 D792,522 S * 7/2017 Deutsch D21/500
 D799,389 S * 10/2017 Lee D12/192
 2004/0074211 A1 4/2004 Shibata
 2005/0133404 A1 6/2005 White, Jr.
 2005/0150322 A1 7/2005 Rocky et al.
 2005/0225993 A1 10/2005 Yamazaki et al.
 2006/0052046 A1 3/2006 Krause
 2006/0269412 A1 11/2006 Yu et al.
 2007/0253820 A1 11/2007 Liu
 2008/0037249 A1 2/2008 Lai
 2008/0125026 A1 5/2008 Shin
 2009/0298406 A1 11/2009 Norbury, Jr. et al.
 2009/0318073 A1 12/2009 Rimmer
 2010/0197216 A1 8/2010 Aoyama et al.
 2012/0309282 A1 12/2012 Norbury, Jr. et al.
 2014/0120823 A1 * 5/2014 Brinas B60H 1/34
 454/155
 2016/0129762 A1 * 5/2016 Brinas B60H 1/3421
 454/155
 2016/0361979 A1 * 12/2016 Brinas B60H 1/3442
 2017/0036508 A1 * 2/2017 Terasawa B60H 1/3442
 2017/0158028 A1 * 6/2017 Perosino B60H 1/345

FOREIGN PATENT DOCUMENTS

DE 19621231 7/1997
 DE 10007965 8/2001
 EP 1136747 3/2000
 JP S56-091142 7/1981
 JP S59-018011 1/1984
 JP S61-079939 4/1986
 JP 402068435 3/1990
 JP H4-000147 1/1992
 SE 220405 5/1968
 WO 2007003416 7/2006

OTHER PUBLICATIONS

U.S. Patent and Trademark Office "Communication" for copending U.S. Appl. No. 12/132,392, dated Jan. 9, 2012.
 Non-Final Office Action for U.S. Appl. No. 13/486,070 dated Dec. 18, 2015.
 Non-Final Office Action for U.S. Appl. No. 13/486,070 dated Jun. 16, 2016.
 Non-Final Office Action for U.S. Appl. No. 12/132,392 dated Mar. 19, 2013.
 Non-Final Office Action for U.S. Appl. No. 11/754,454 dated Apr. 16, 2010.
 Final Office Action for U.S. Appl. No. 12/132,392 dated Aug. 17, 2012.

* cited by examiner

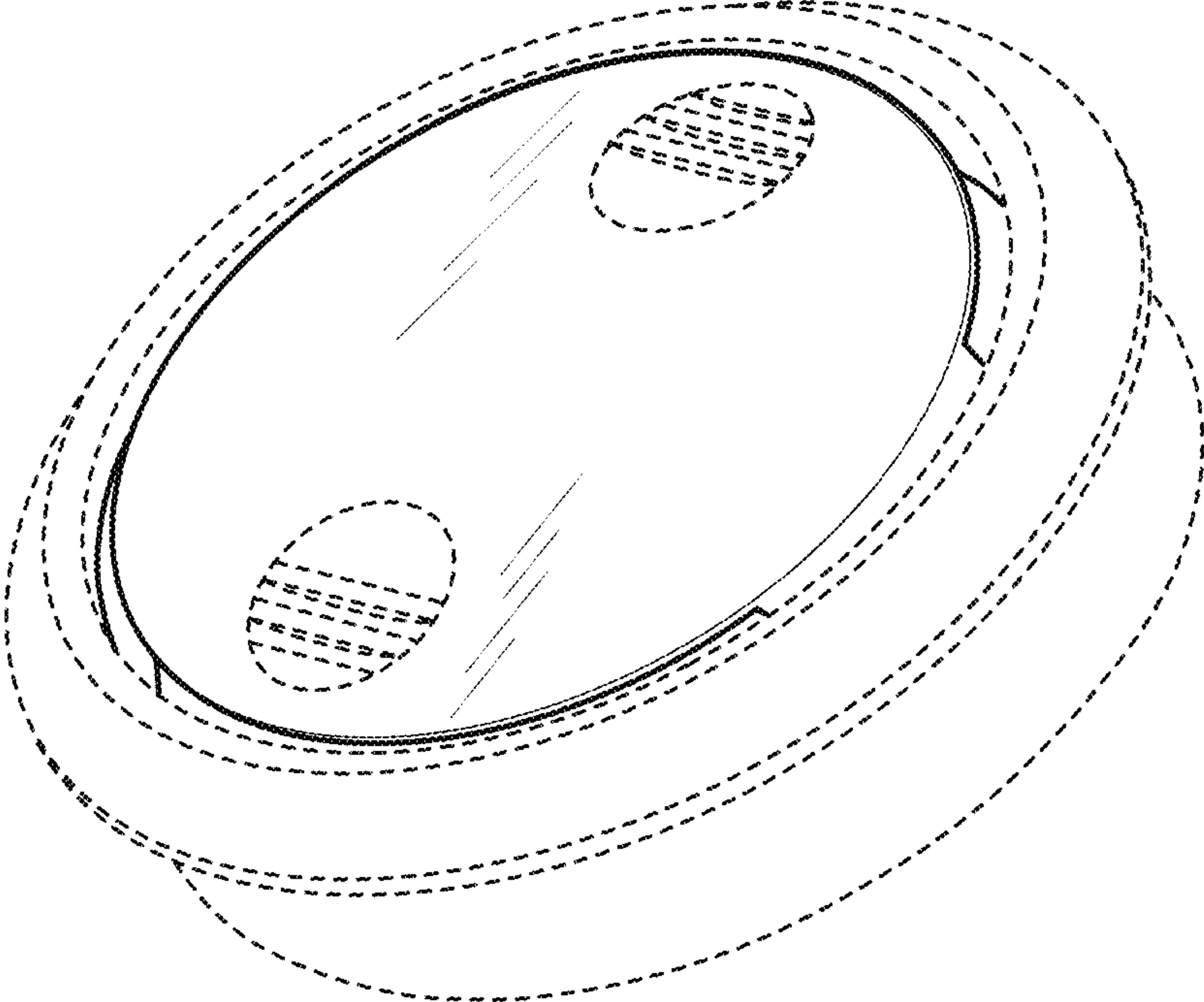


Fig. 1

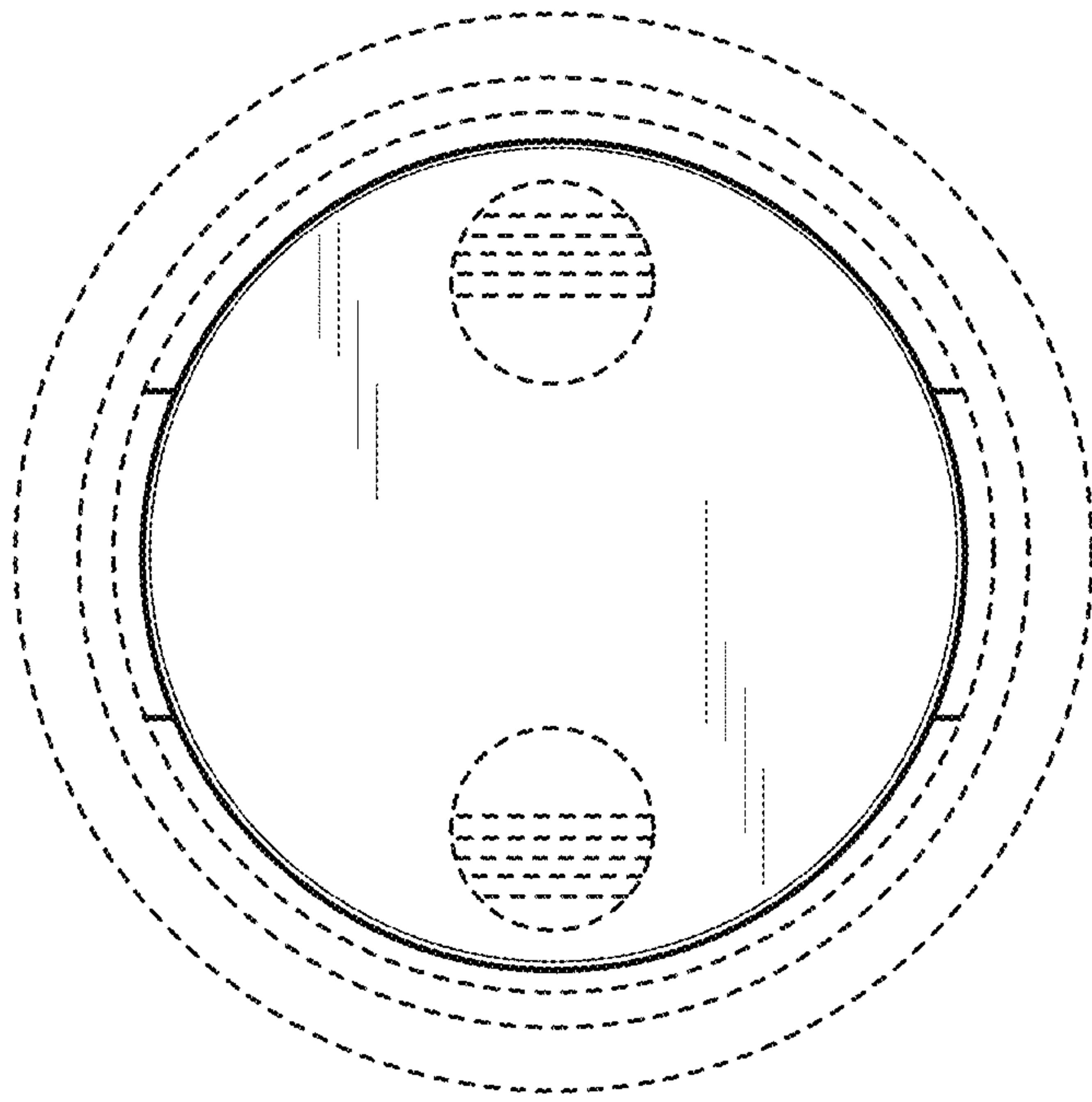


Fig. 2

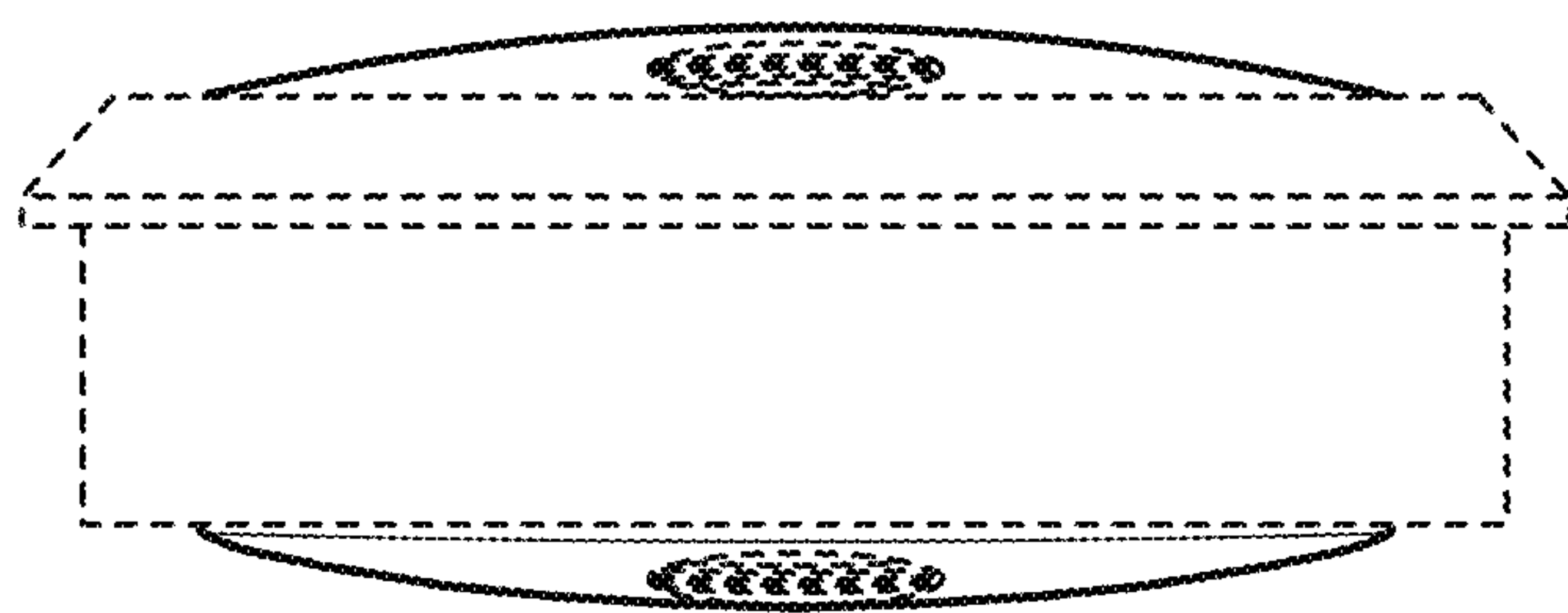


Fig. 3

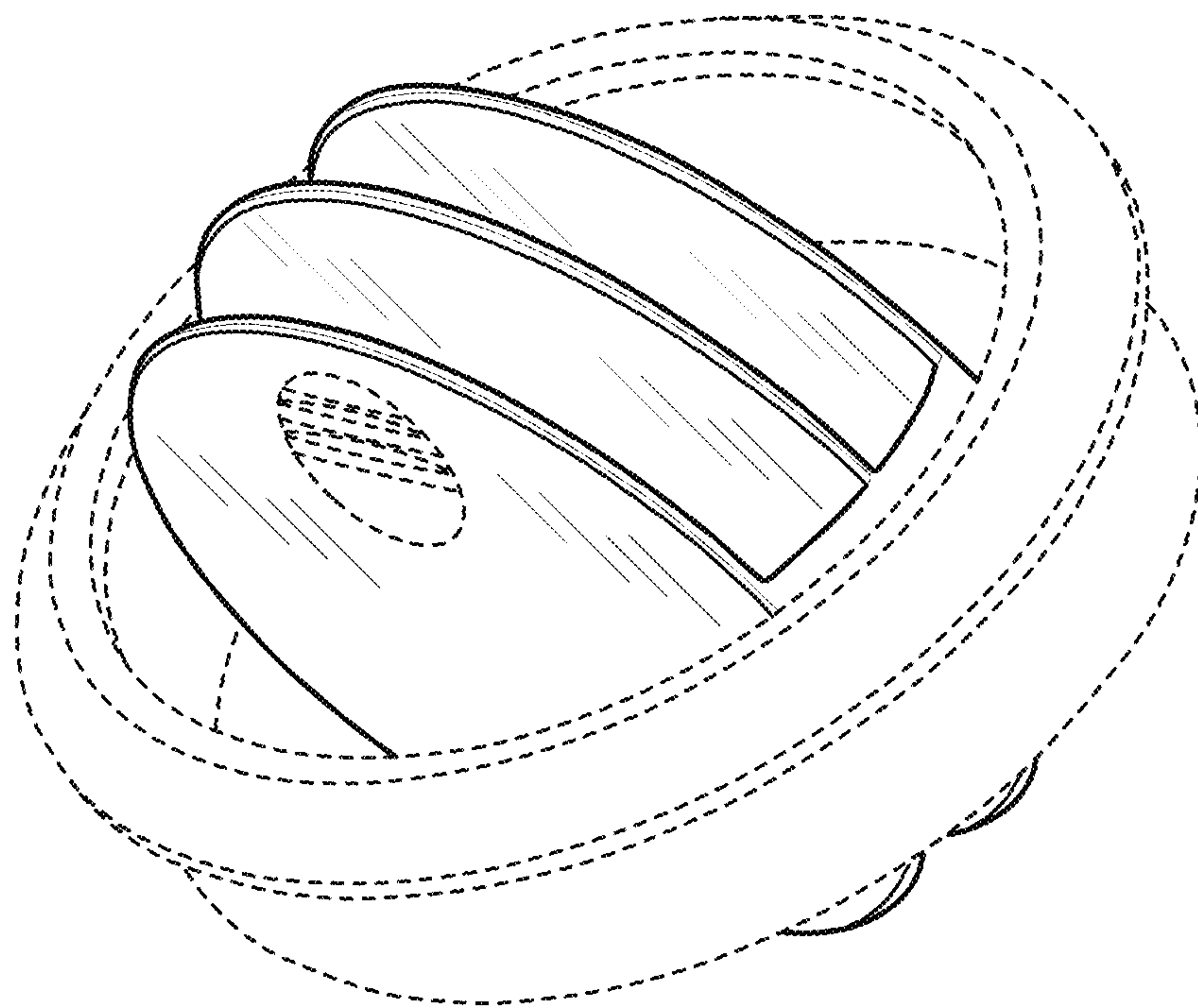


Fig. 4

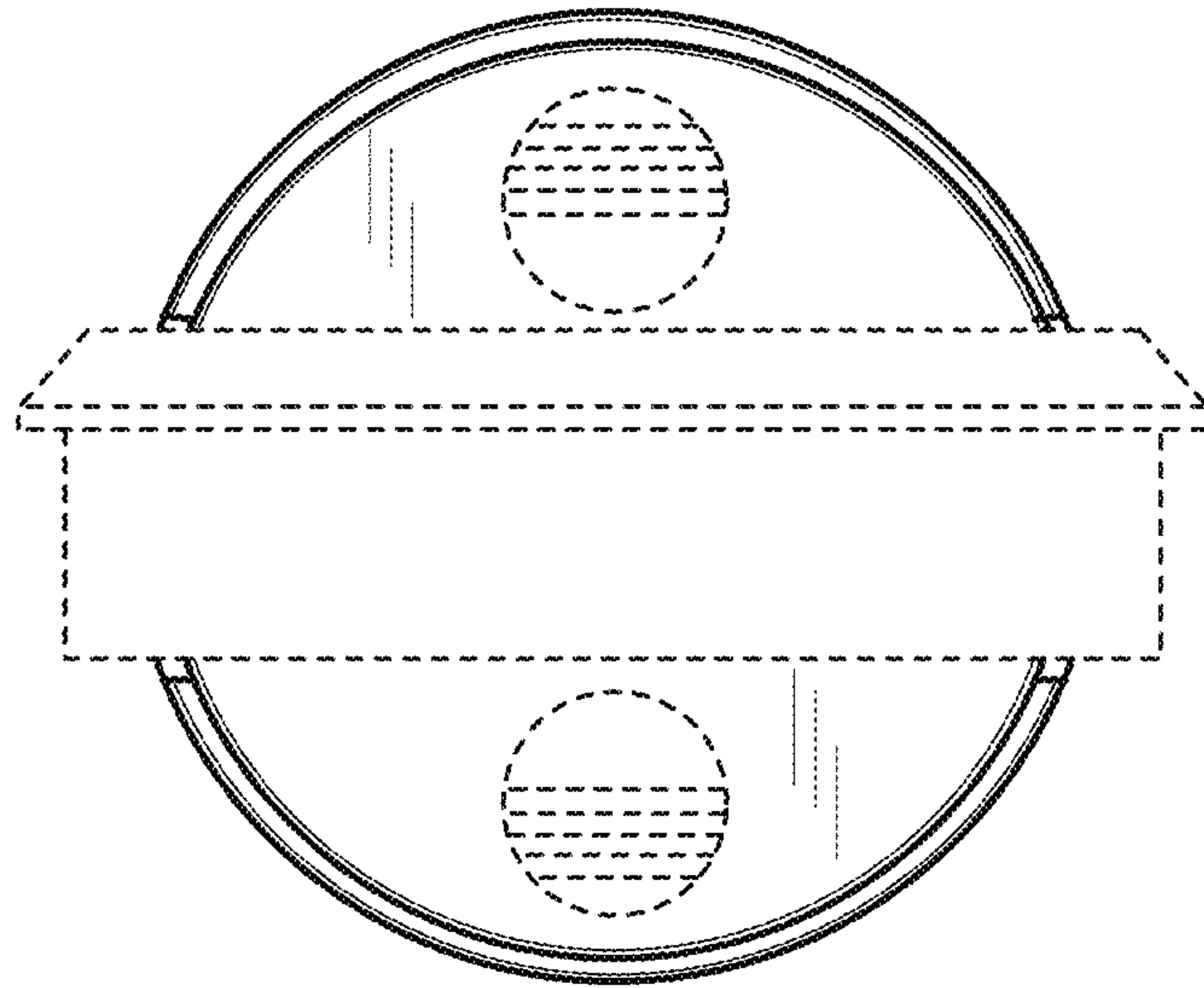


Fig. 5

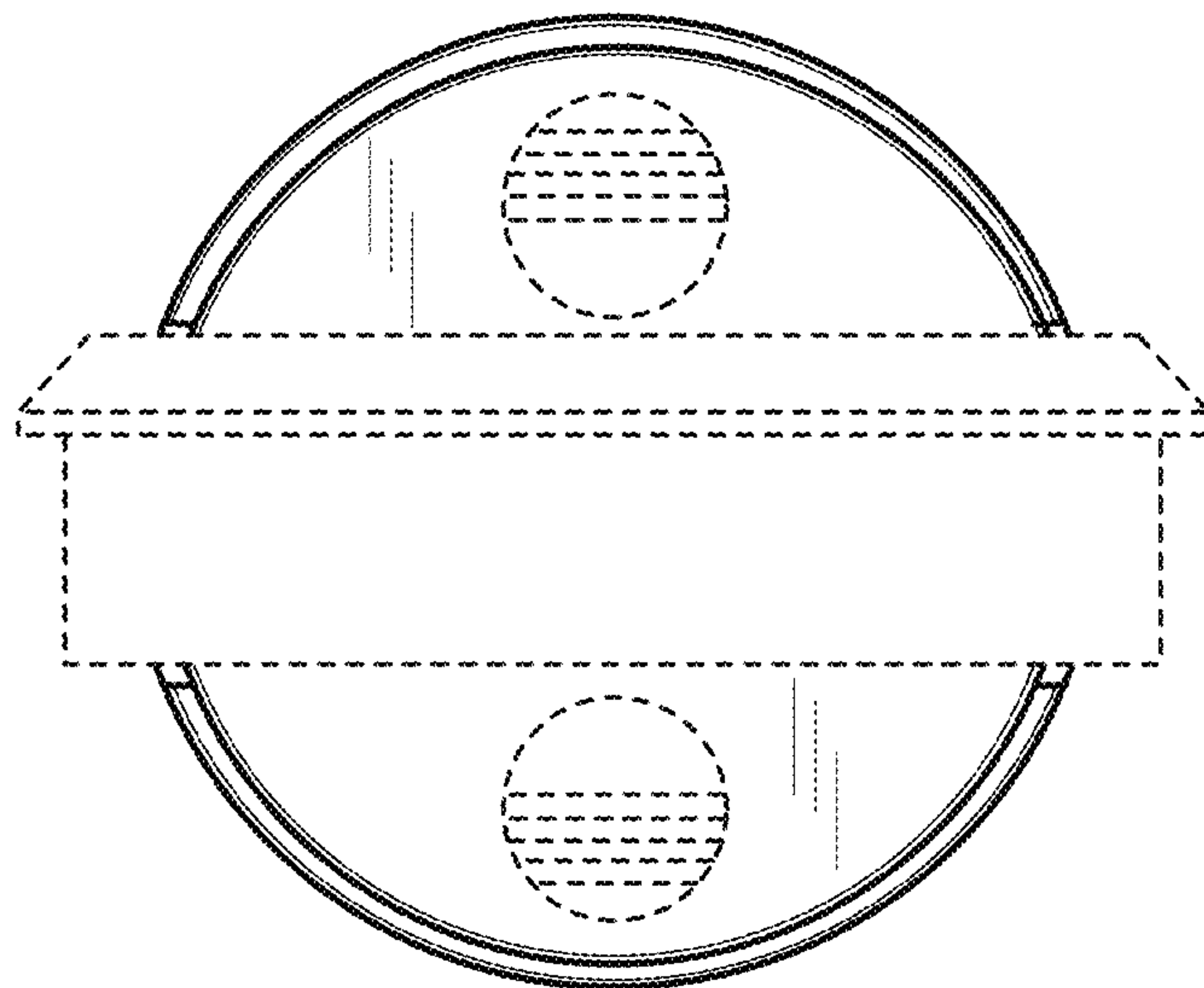


Fig. 6

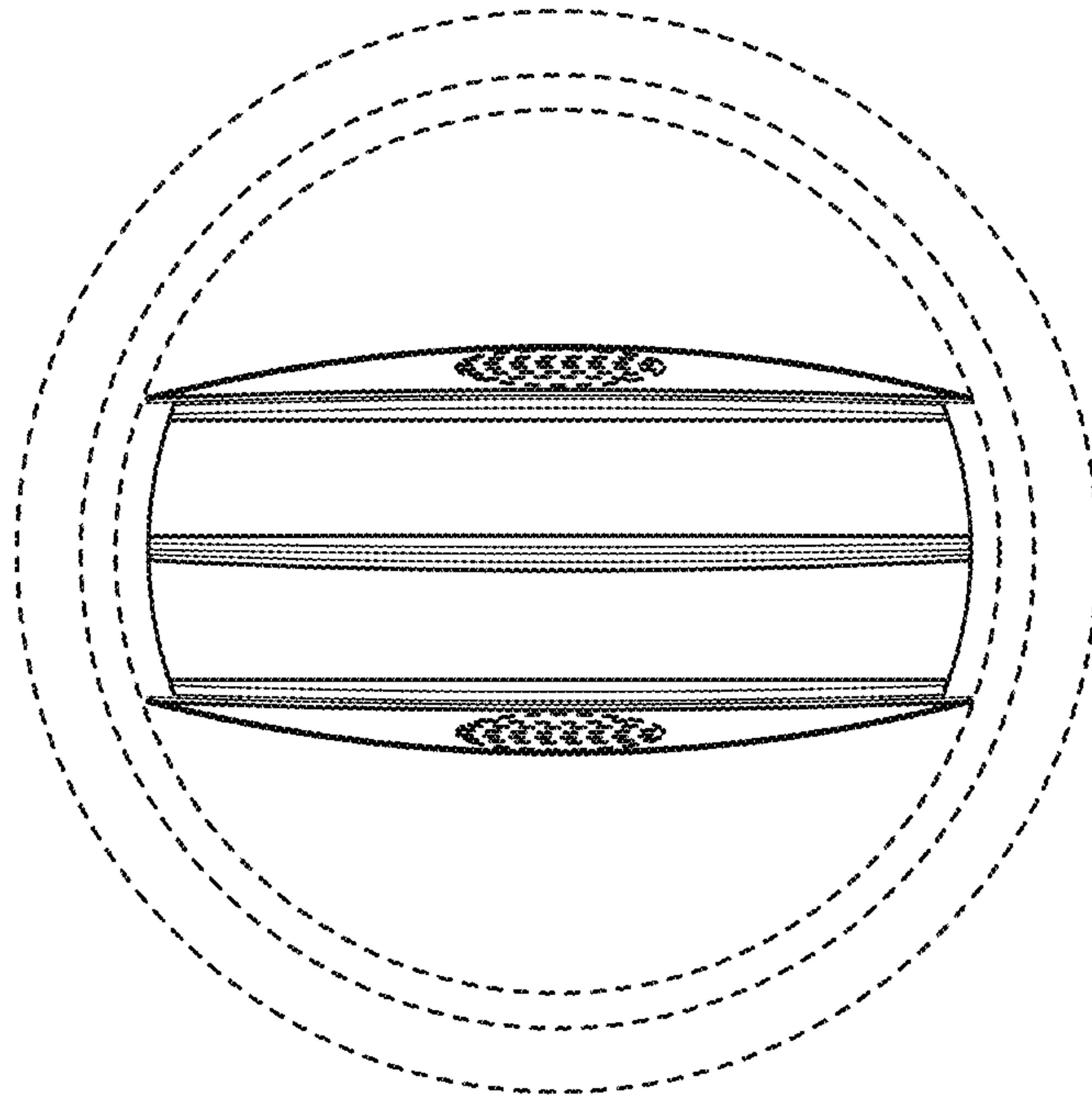


Fig. 7

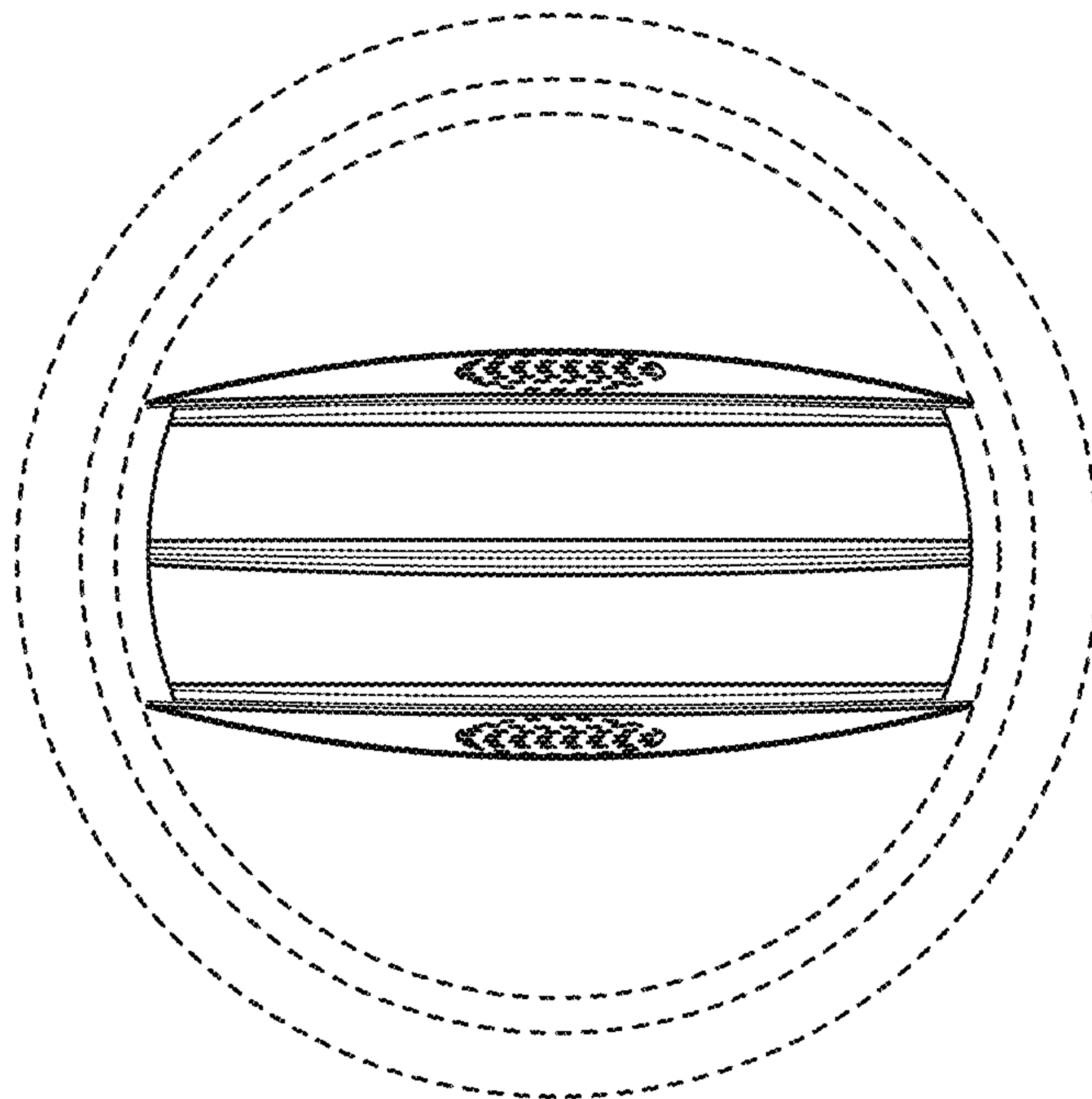


Fig. 8

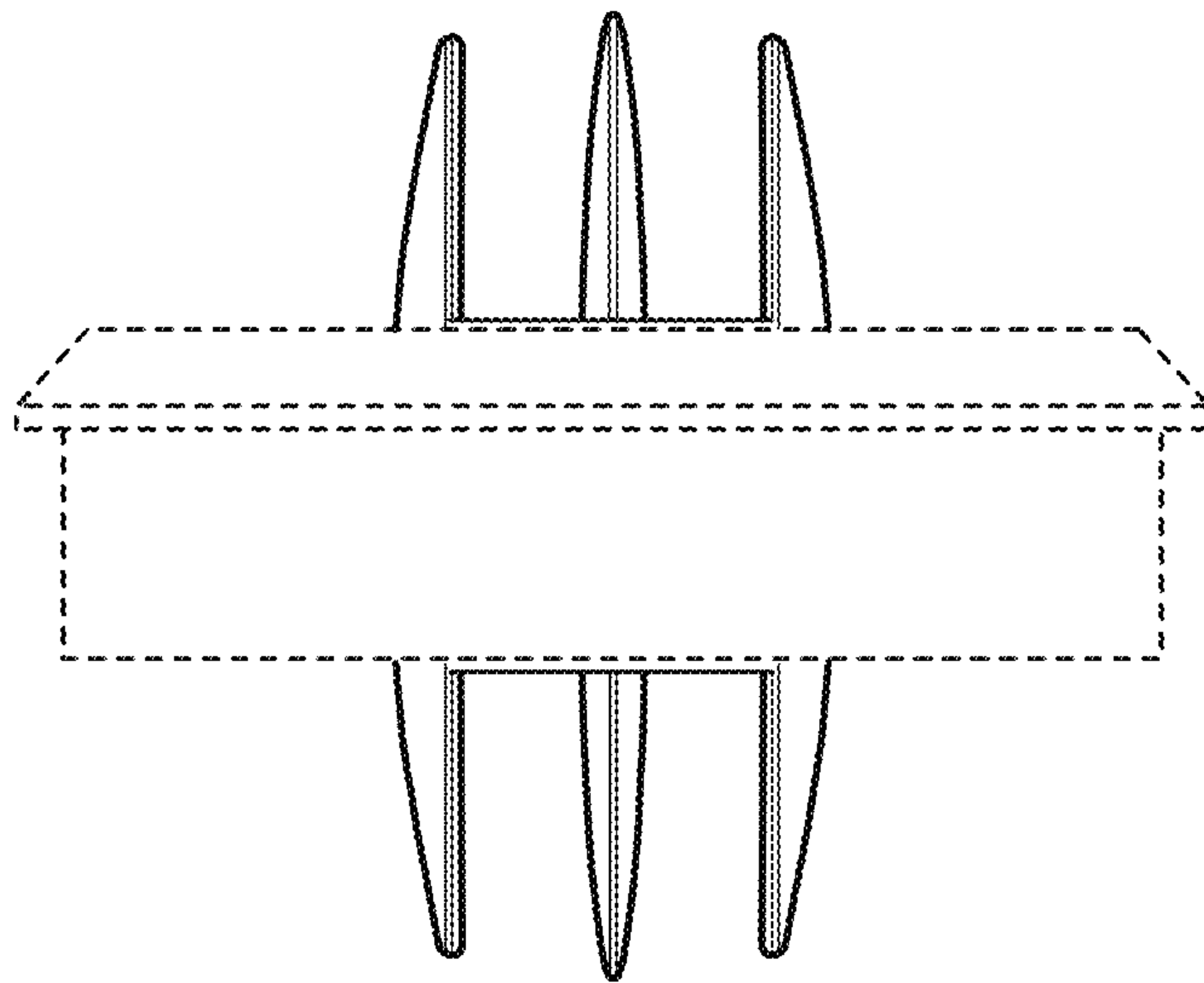


Fig. 9

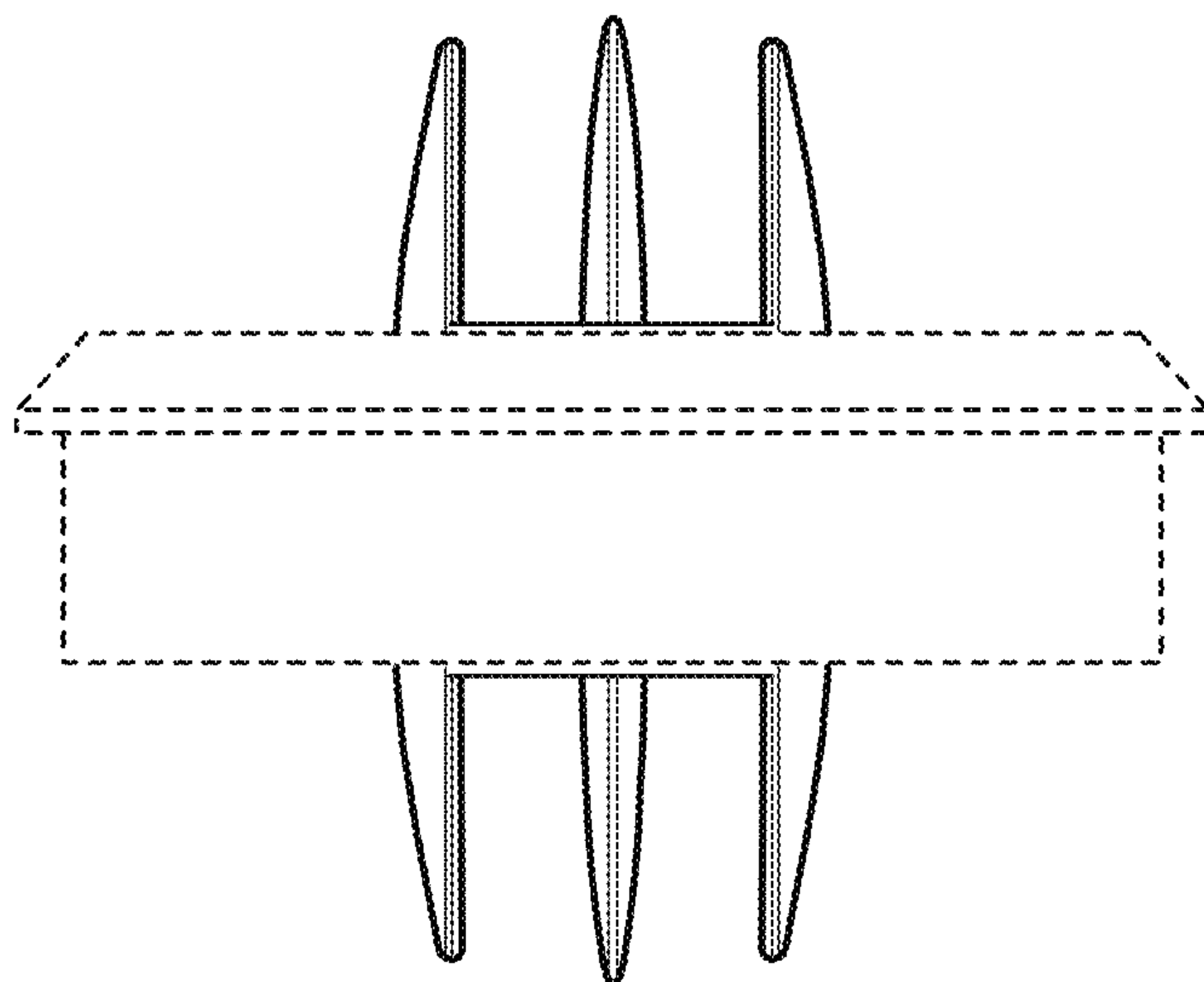


Fig. 10

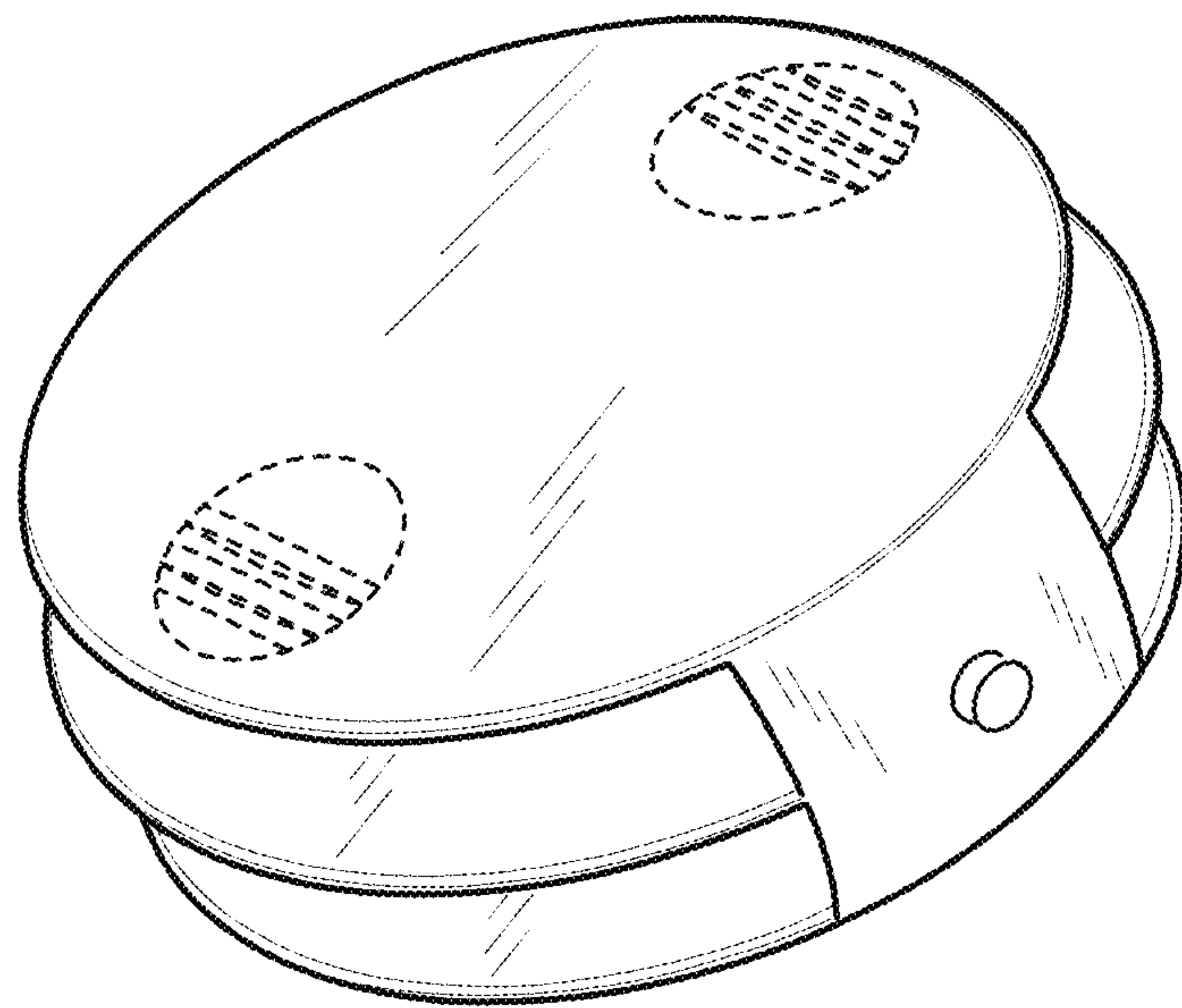


Fig. 11