



US00D836047S

(12) **United States Design Patent** (10) **Patent No.:** **US D836,047 S**
Hardof (45) **Date of Patent:** **** Dec. 18, 2018**

- (54) **ADJUSTABLE SUN SHIELD**
- (71) Applicant: **LilGift, LLC**, Paramus, NJ (US)
- (72) Inventor: **Waiquan Hardof**, Nanuet, NY (US)
- (73) Assignee: **LilGift, LLC**, Paramus, NJ (US)
- (**) Term: **15 Years**
- (21) Appl. No.: **29/638,988**
- (22) Filed: **Mar. 2, 2018**

- D335,482 S 5/1993 Warsaw
- 5,265,929 A 11/1993 Pelham
- 5,402,924 A 4/1995 Gilson
- 5,478,131 A 12/1995 Marks
- 5,484,183 A 1/1996 Rosa
- 5,564,771 A 10/1996 Chesters
- 5,641,191 A 6/1997 Jia
- 5,678,880 A 10/1997 Keller
- 5,730,484 A 3/1998 Robinson
- 6,012,758 A 1/2000 Fisher

(Continued)

Primary Examiner — Katrina A Betton
(74) *Attorney, Agent, or Firm* — Fortunato IP Law, LLC

Related U.S. Application Data

- (63) Continuation of application No. 15/616,214, filed on Jun. 7, 2017.
- (51) **LOC (11) Cl.** **12-16**
- (52) **U.S. Cl.**
USPC **D12/191**
- (58) **Field of Classification Search**
USPC D12/191, 183, 181, 184, 185, 106, 417,
D12/311–312
CPC B60J 3/02; B60J 3/0208
See application file for complete search history.

(57) **CLAIM**

The ornamental design for an adjustable sun shield, as shown and described.

DESCRIPTION

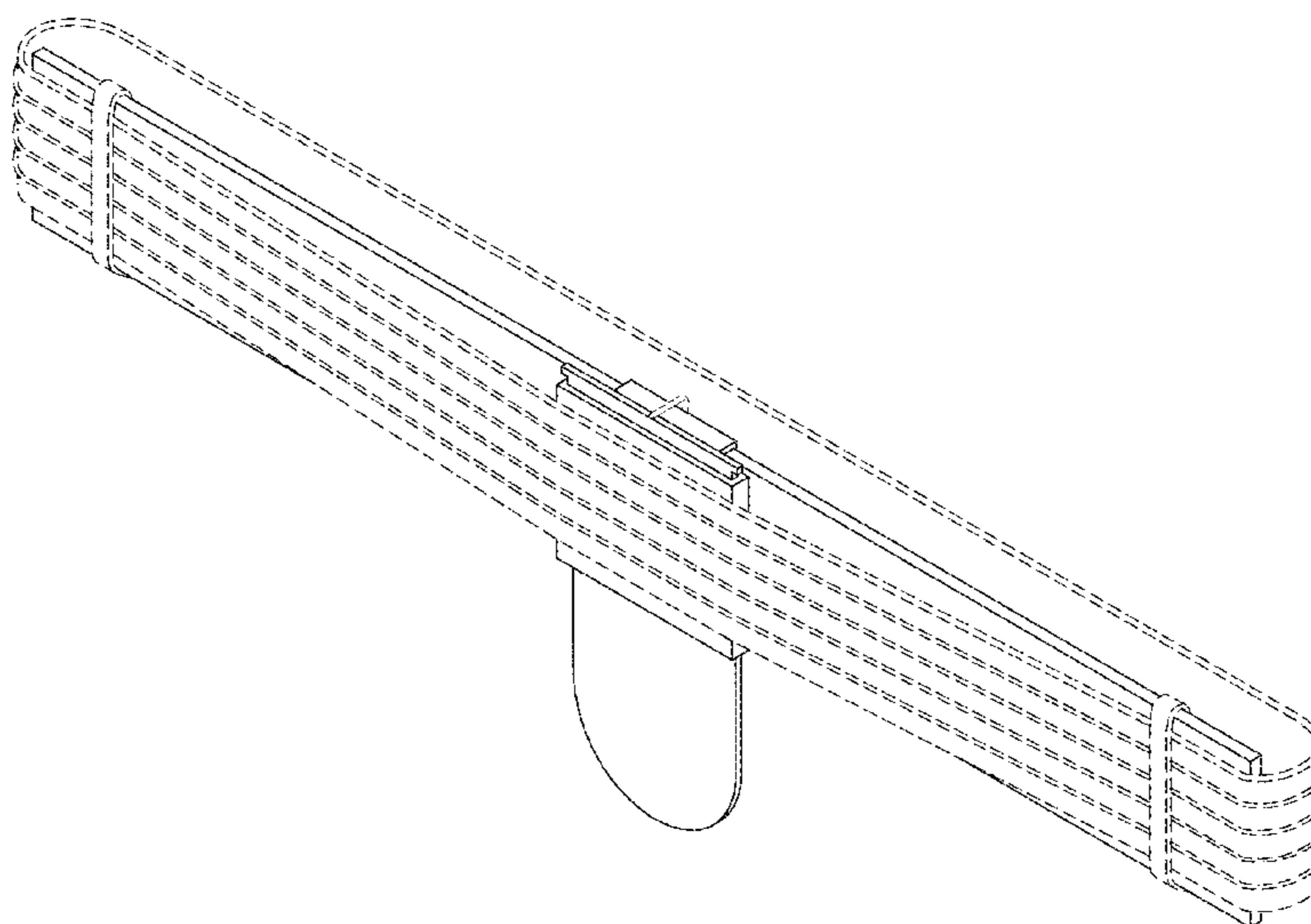
FIG. 1 is a front view of an adjustable sun shield in accordance with the present invention depicting a shield part of the invention in a first position;
 FIG. 2 is a front view of the adjustable sun shield of the present invention depicting a shield part of the invention in a second position;
 FIG. 3 is a right front perspective view of the adjustable sun shield of the present invention depicted in FIG. 2;
 FIG. 4 is a top view of the adjustable sun shield of the present invention depicted in FIG. 2;
 FIG. 5 is a front view of the adjustable sun shield of the present invention depicted in FIG. 2 without a visor;
 FIG. 6 is a right side view of the adjustable sun shield of the present invention depicted in FIG. 2;
 FIG. 7 is a rear view of the adjustable sun shield of the present invention depicted in FIG. 2; and,
 FIG. 8 is a bottom view of the adjustable sun shield of the present invention depicted in FIG. 2.
 In the drawings, the broken lines depict portions of the article that form no part of the claimed design.

(56) **References Cited**

U.S. PATENT DOCUMENTS

- 2,894,576 A 7/1959 Williams
- 3,208,792 A 9/1965 Martin
- D204,248 S 4/1966 Fritz
- 3,336,073 A 8/1967 Berger
- 3,428,360 A 2/1969 Honor, Sr.
- 3,462,867 A 8/1969 Pinkman et al.
- 3,522,968 A 8/1970 Honor, Sr.
- 3,877,745 A 4/1975 Girard
- 3,948,554 A 4/1976 Barbee
- 3,961,820 A 6/1976 Spangler
- 4,978,160 A 12/1990 Welschoff
- 5,015,027 A 5/1991 Rifaat
- 5,168,748 A 12/1992 O'Connor

1 Claim, 6 Drawing Sheets



(56)

References Cited

U.S. PATENT DOCUMENTS

D426,183	S	6/2000	Brooks, II et al.	
6,224,137	B1	5/2001	Hunker	
D445,744	S	7/2001	Hsing	
6,296,293	B1	10/2001	Peterson et al.	
6,325,442	B1	12/2001	Hunker	
D476,609	S *	7/2003	Gibson	D12/191
D501,655	S *	2/2005	Tuccinardi	D12/191
6,981,733	B1	1/2006	Driscoll	
D524,206	S *	7/2006	Hohney	D12/191
D526,259	S *	8/2006	Votz	D12/191
D558,655	S *	1/2008	Kawamata	D12/191
7,891,722	B2	2/2011	Phillips	
8,226,149	B2	7/2012	Brule	
D740,189	S *	10/2015	Lopez-Ross	D12/191
D740,190	S *	10/2015	Spencer	D12/191
D741,764	S *	10/2015	Levi	D12/191
D762,539	S *	8/2016	Marcus	D12/191
D764,989	S *	8/2016	Marcus	D12/191
D789,855	S *	6/2017	Amante-Muniz	D12/191
D797,628	S *	9/2017	Lee	D12/191
D797,629	S *	9/2017	Abruzzio	D12/191
D808,318	S *	1/2018	Amante-Muniz	D12/191
D826,812	S *	8/2018	Von Holzhausen	D12/191
2004/0217621	A1	11/2004	McCoy	
2009/0302634	A1	12/2009	Suzuki	
2015/0084364	A1 *	3/2015	Cha	B60J 3/0278 296/97.5

* cited by examiner

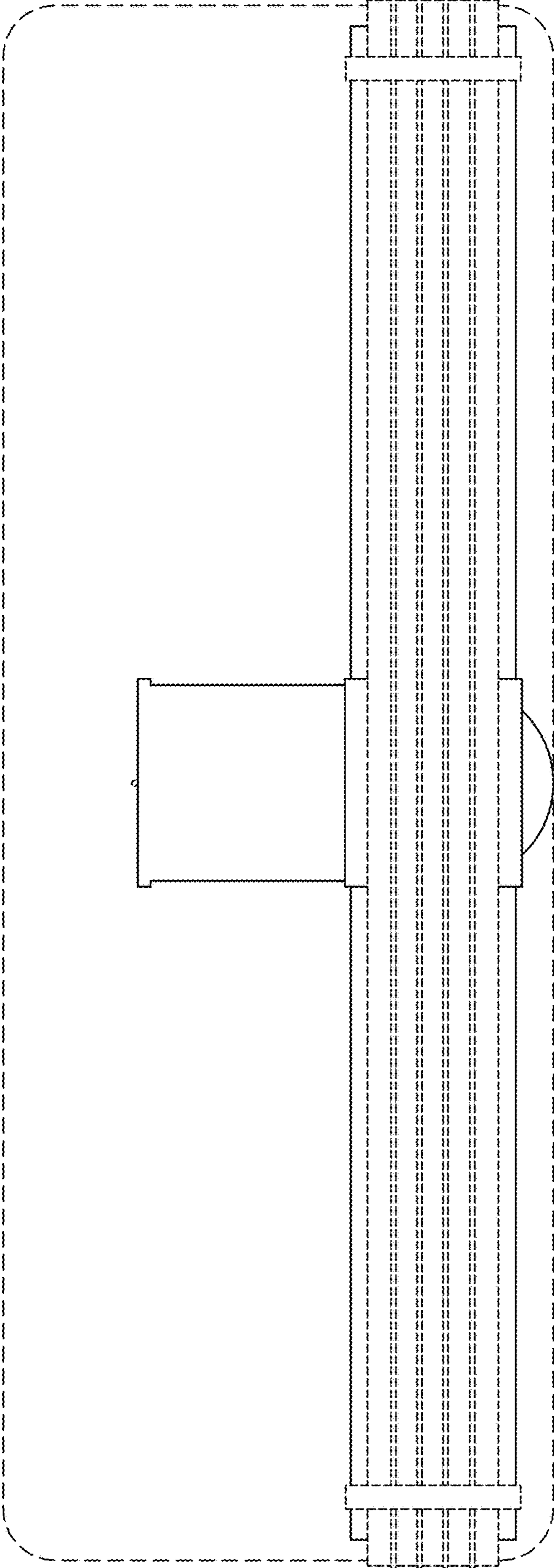


FIG.1

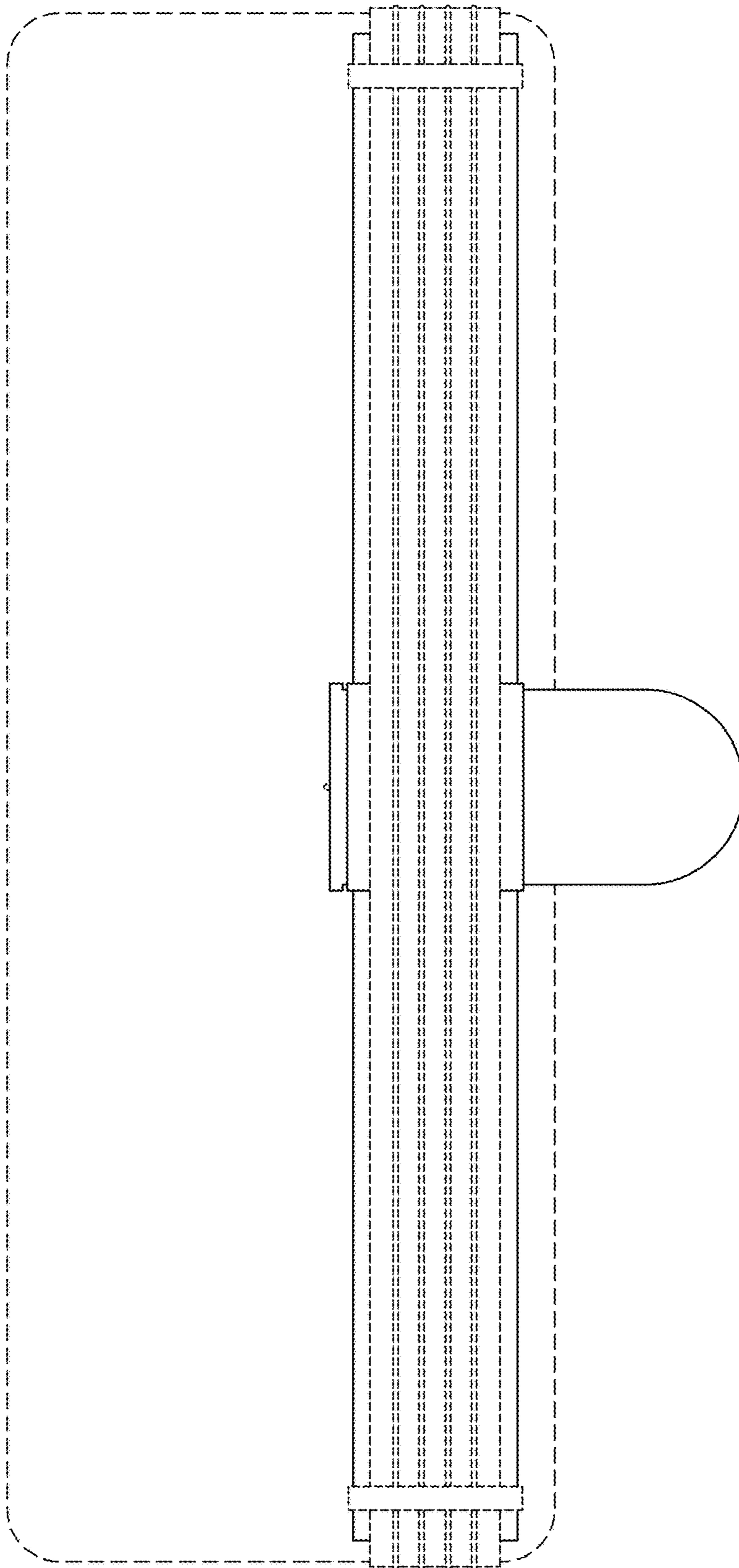


FIG.2

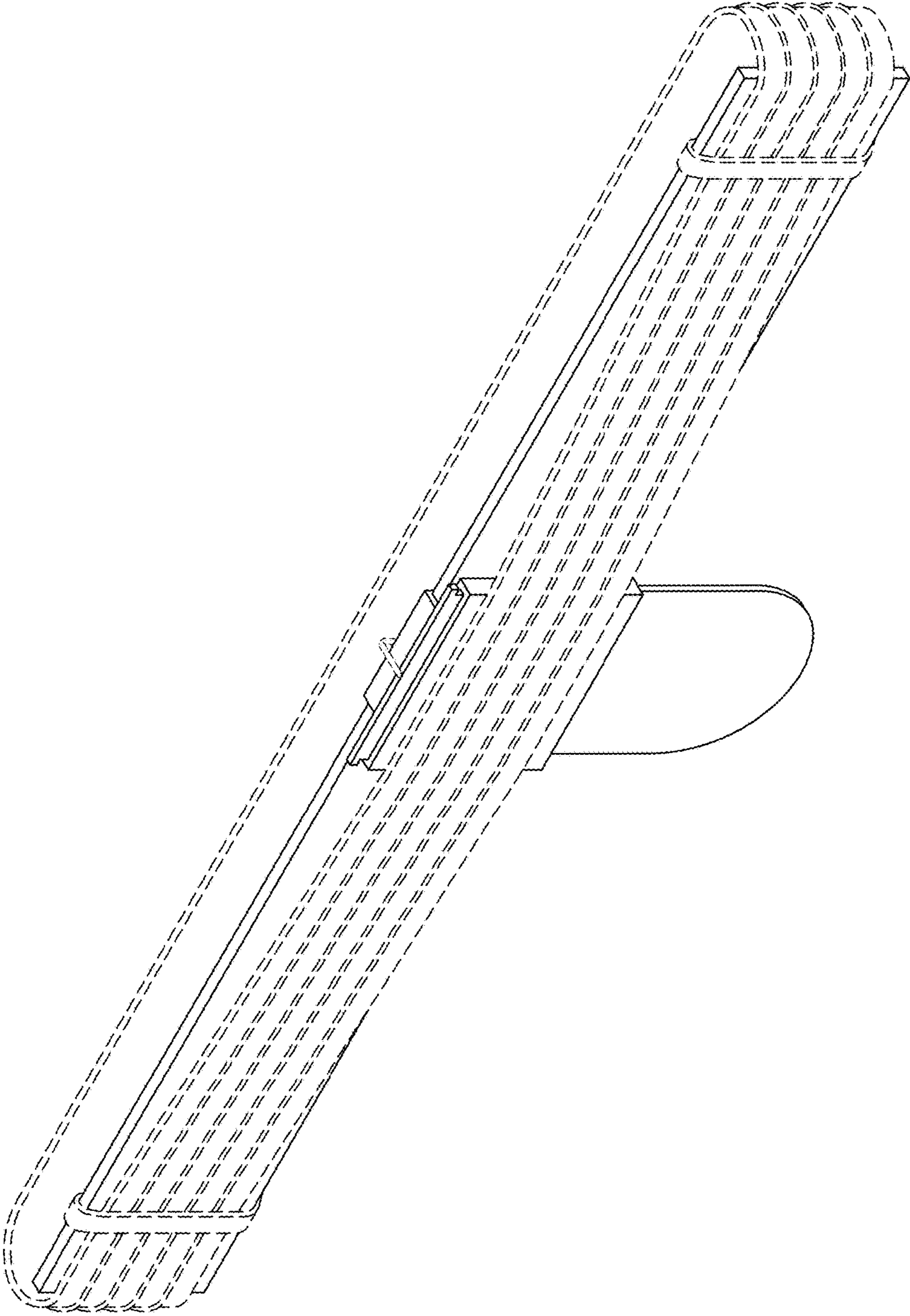


FIG.3



FIG. 4

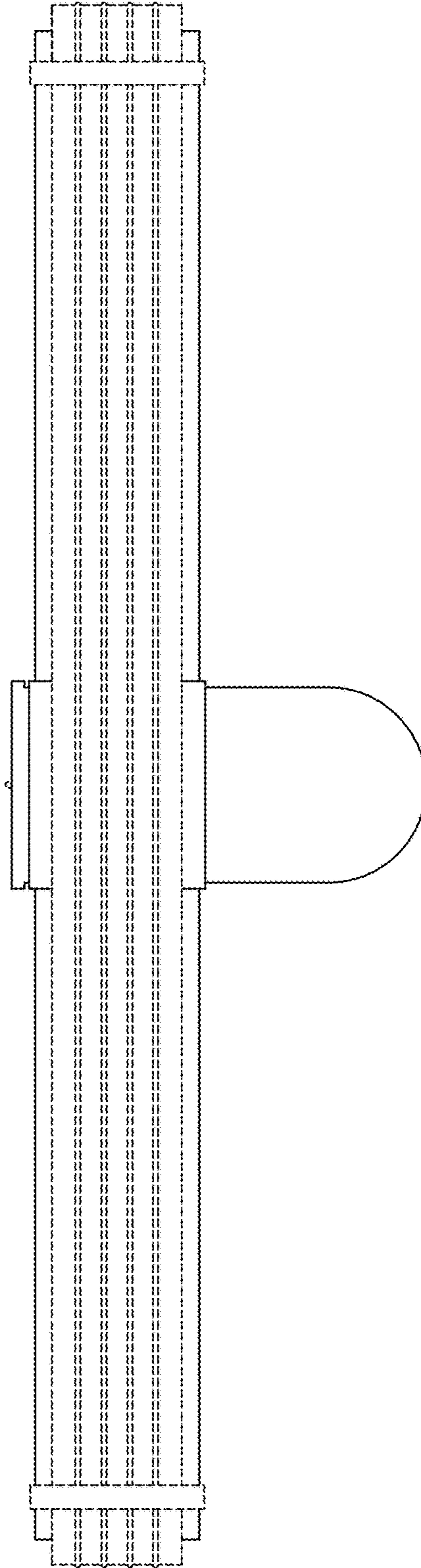


FIG. 5

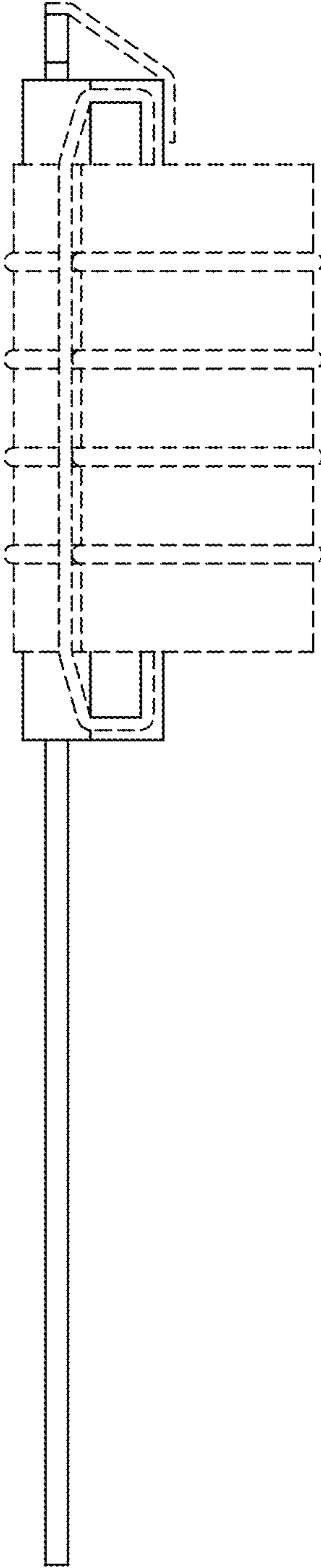


FIG.6

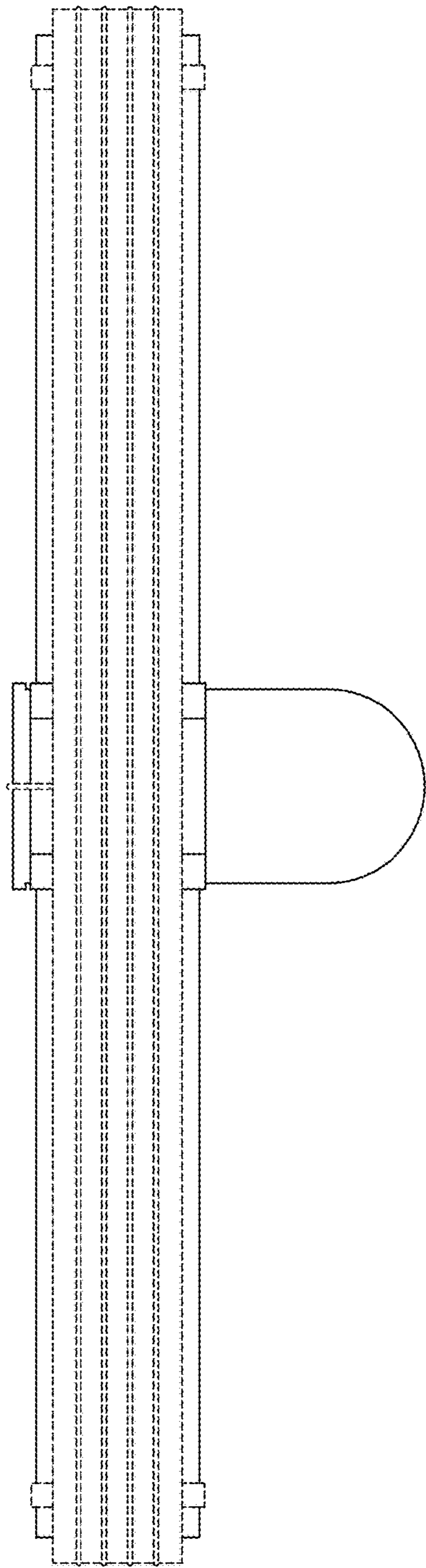


FIG. 7

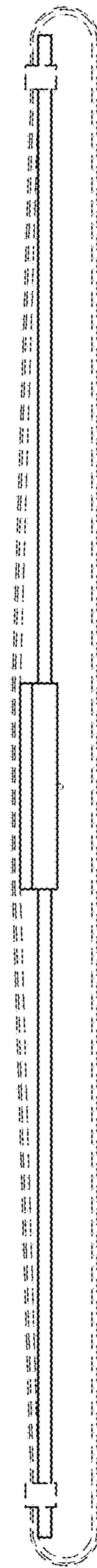


FIG. 8

UNITED STATES PATENT AND TRADEMARK OFFICE
CERTIFICATE OF CORRECTION

PATENT NO. : D836,047 S
APPLICATION NO. : 29/638988
DATED : December 18, 2018
INVENTOR(S) : Waiquan Hardof

Page 1 of 1

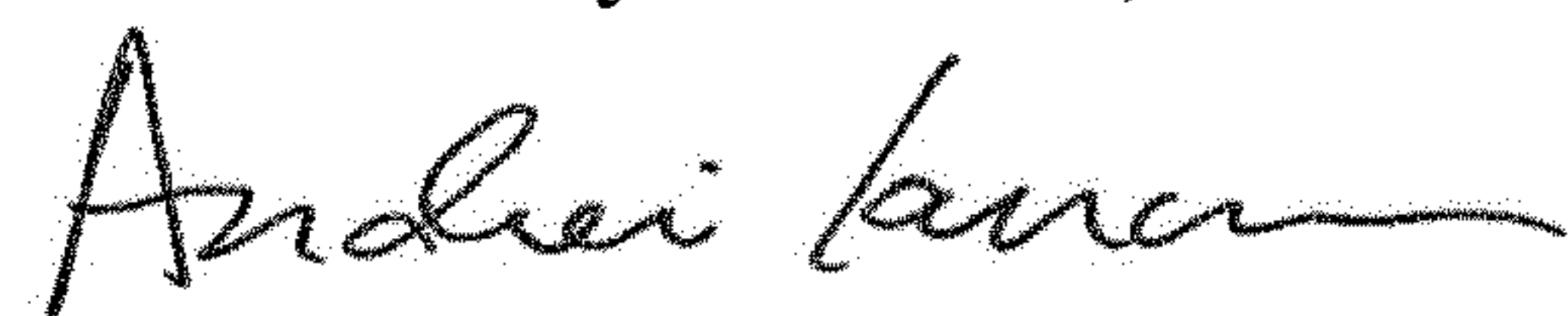
It is certified that error appears in the above-identified patent and that said Letters Patent is hereby corrected as shown below:

On the Title Page

Correct Related U.S. Application Data priority claim as follows:

“(63) Continuation-In-Part of application No. 15/616,214, filed on Jun. 7, 2017.”

Signed and Sealed this
Fifth Day of March, 2019



Andrei Iancu
Director of the United States Patent and Trademark Office