



US00D836043S

(12) **United States Design Patent** (10) **Patent No.:** **US D836,043 S**
Leong (45) **Date of Patent:** **** Dec. 18, 2018**

(54) **FRONT BUMPER FOR A VEHICLE**
(71) Applicant: **Ningbo Geely Automobile Research & Development Co., Ltd, Ningbo (CN)**
(72) Inventor: **Eric Leong, Gothenburg (SE)**
(73) Assignee: **Ningbo Geely Automobile Research & Development Co., Ltd., Ningbo (CN)**

(**) Term: **15 Years**
(21) Appl. No.: **29/618,410**

(22) Filed: **Sep. 21, 2017**

(30) **Foreign Application Priority Data**

Mar. 22, 2017 (EM) 003816255

(51) **LOC (11) Cl.** **12-16**

(52) **U.S. Cl.**
USPC **D12/169**

(58) **Field of Classification Search**
USPC D12/169, 216, 90-92, 86, 171, 196, 163;
293/102, 113, 115, 117, 120; 296/180.1,
296/180.2

CPC B60R 19/02; B60R 19/04; B62D 25/08
See application file for complete search history.

(56) **References Cited**

U.S. PATENT DOCUMENTS

D732,444 S * 6/2015 Burki D12/169
D732,445 S * 6/2015 Burki D12/169

D733,019 S * 6/2015 Burki D12/169
D796,396 S * 9/2017 Badstuebner D12/169
D811,284 S * 2/2018 Granlund D12/169
D825,416 S * 8/2018 Al Attar D12/169

* cited by examiner

Primary Examiner — Melody N Brown

(74) *Attorney, Agent, or Firm* — Lee & Hayes, PC

(57) **CLAIM**

The ornamental design for a front bumper for a vehicle, as shown and described.

DESCRIPTION

The patent or patent application file contains at least one drawing executed in color. Copies of this patent or patent application publication with color drawing(s) will be provided by the Office upon request and payment of the necessary fee.

FIG. 1 is a perspective view of a front bumper for a vehicle showing my new design;

FIG. 2 is a front elevational view thereof;

FIG. 3 is a rear elevational view thereof;

FIG. 4 is a left side elevational view thereof;

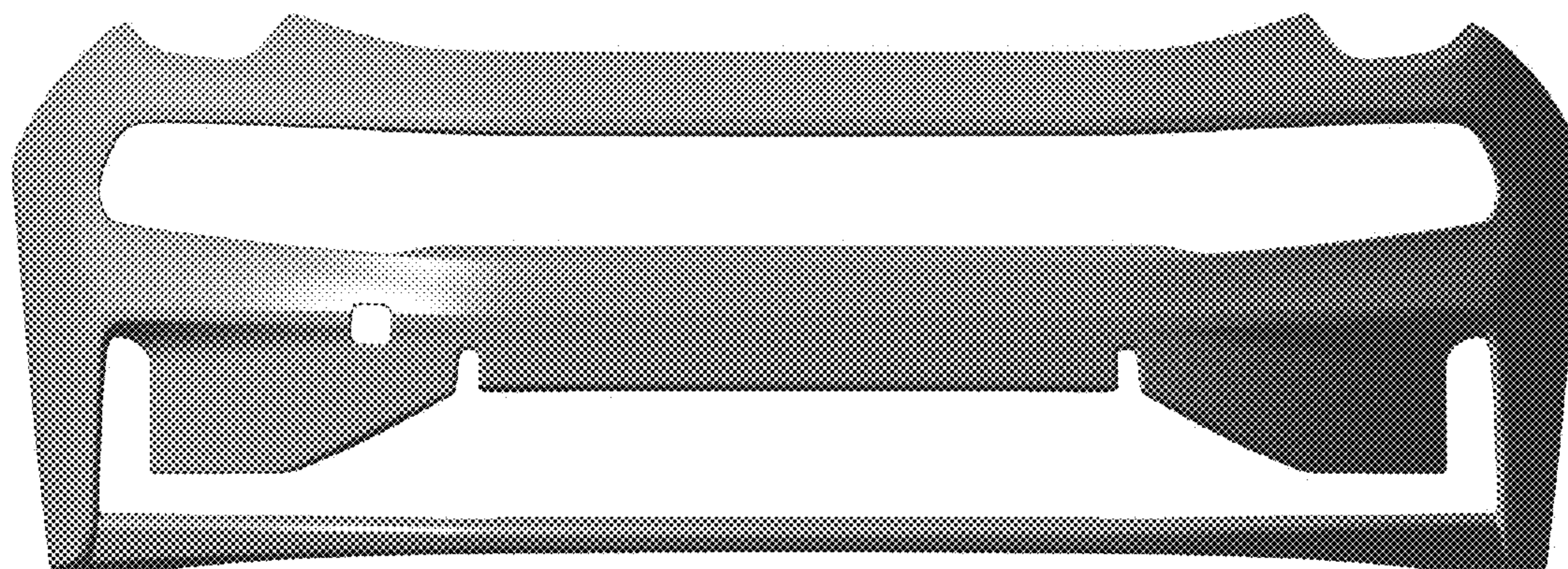
FIG. 5 is a right side elevational view thereof;

FIG. 6 is a top plan view thereof; and,

FIG. 7 is a bottom plan view thereof.

The color shown on the claimed design forms no part thereof.

1 Claim, 7 Drawing Sheets
(7 of 7 Drawing Sheet(s) Filed in Color)



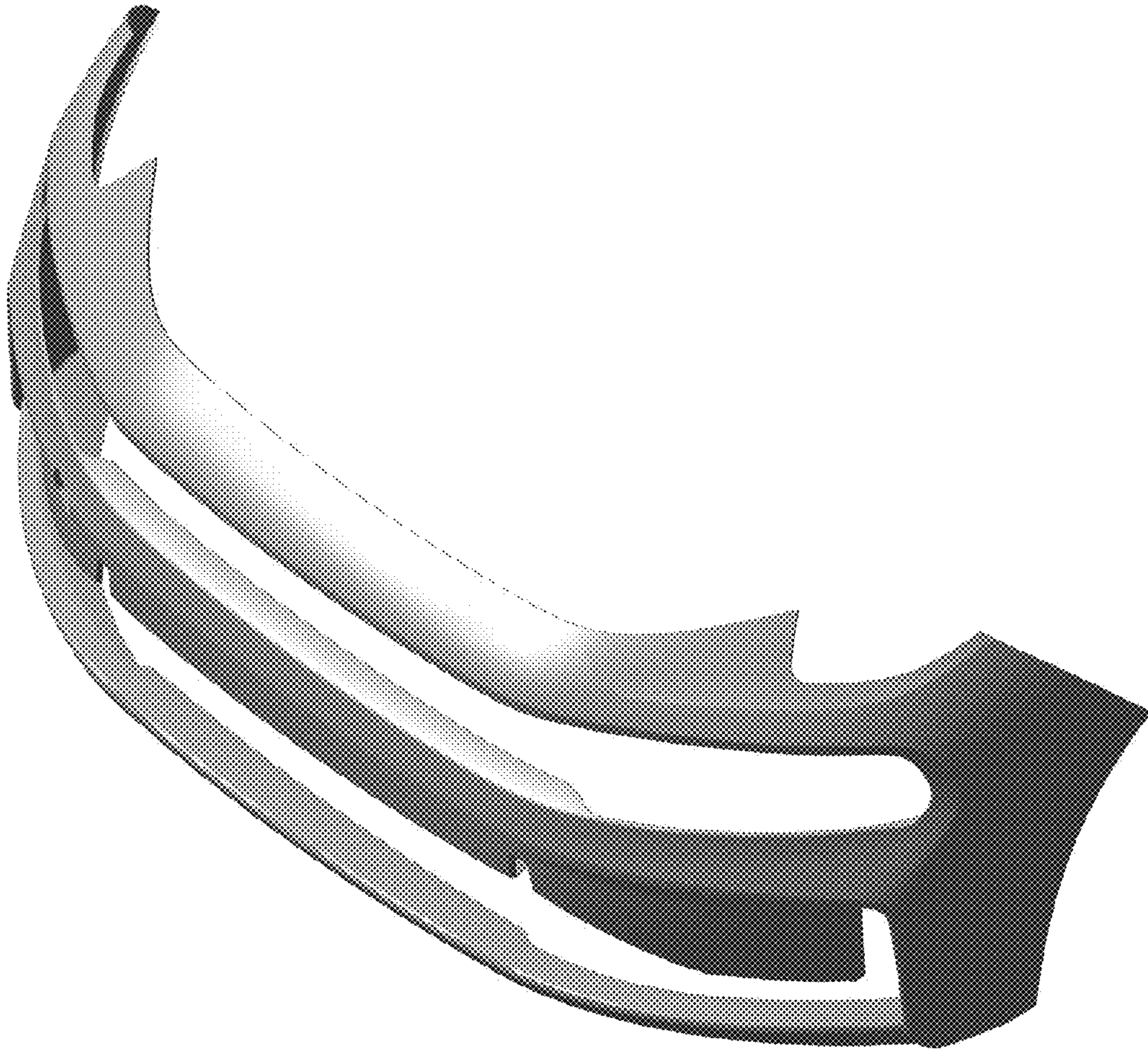


FIG. 1

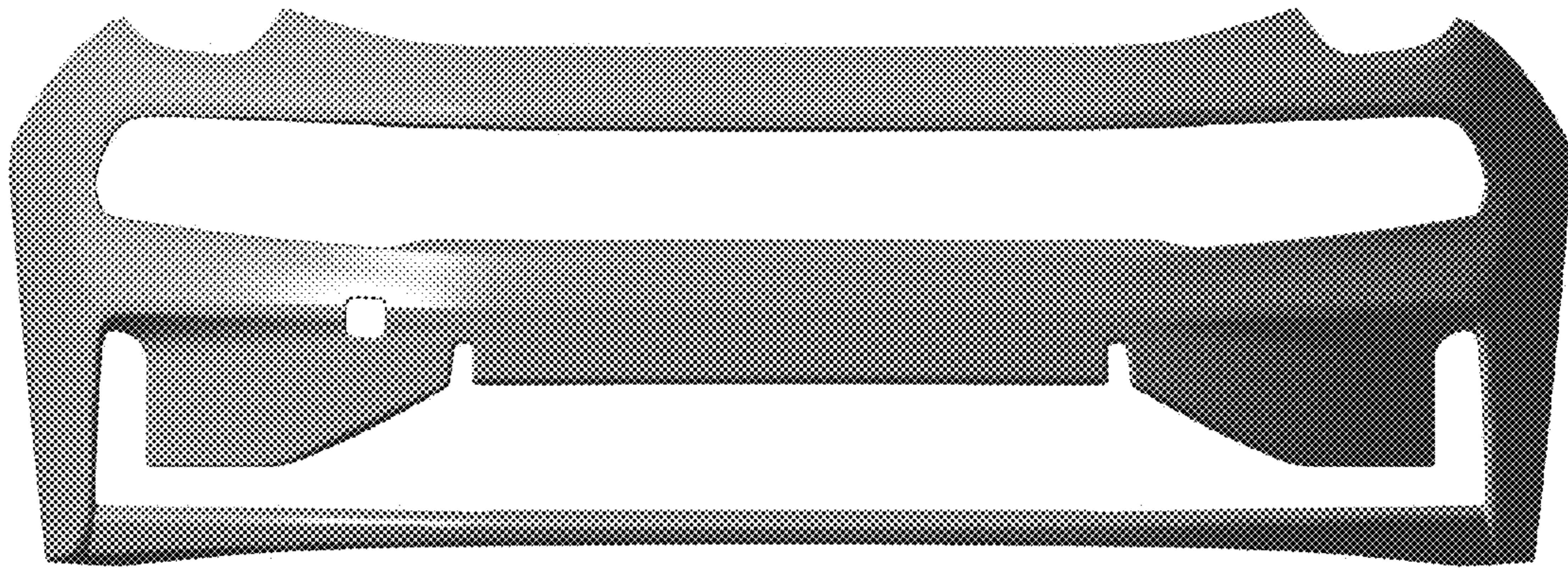


FIG. 2

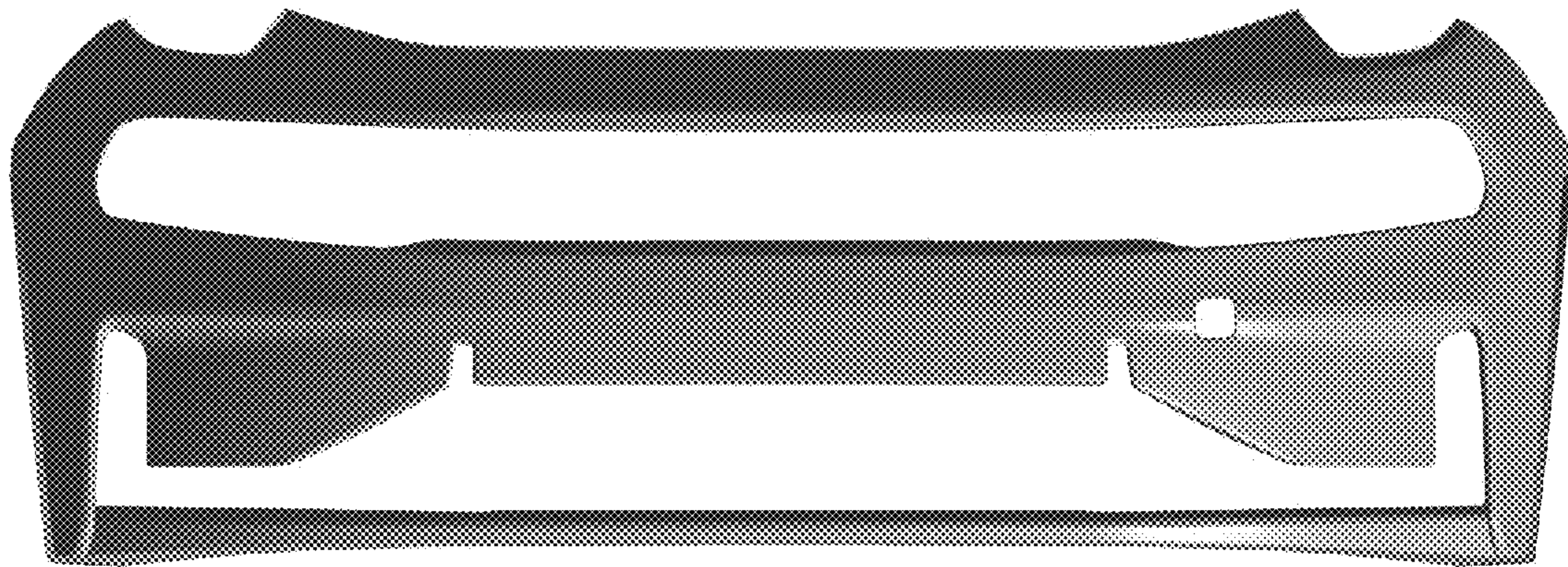


FIG. 3

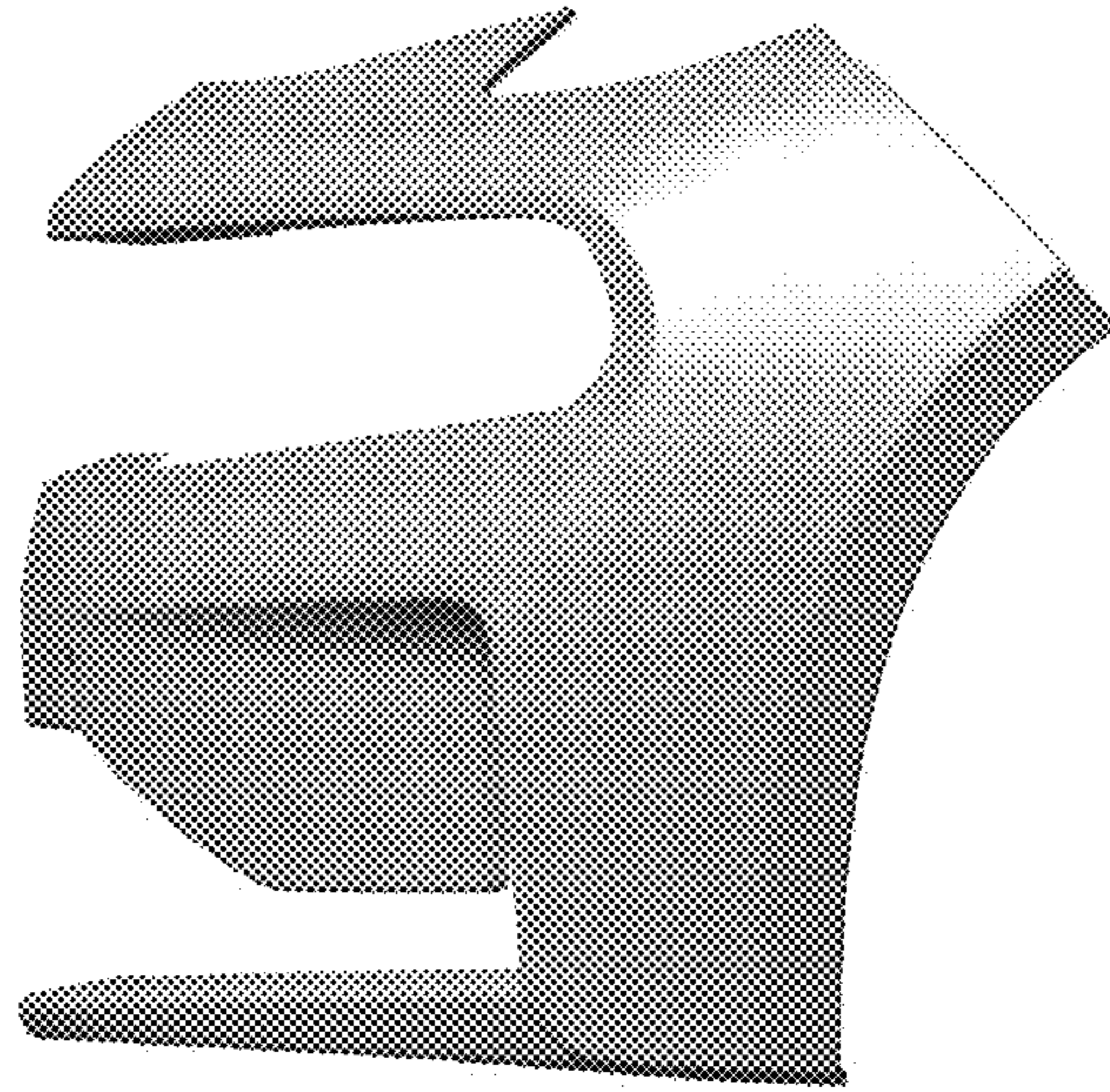


FIG. 4

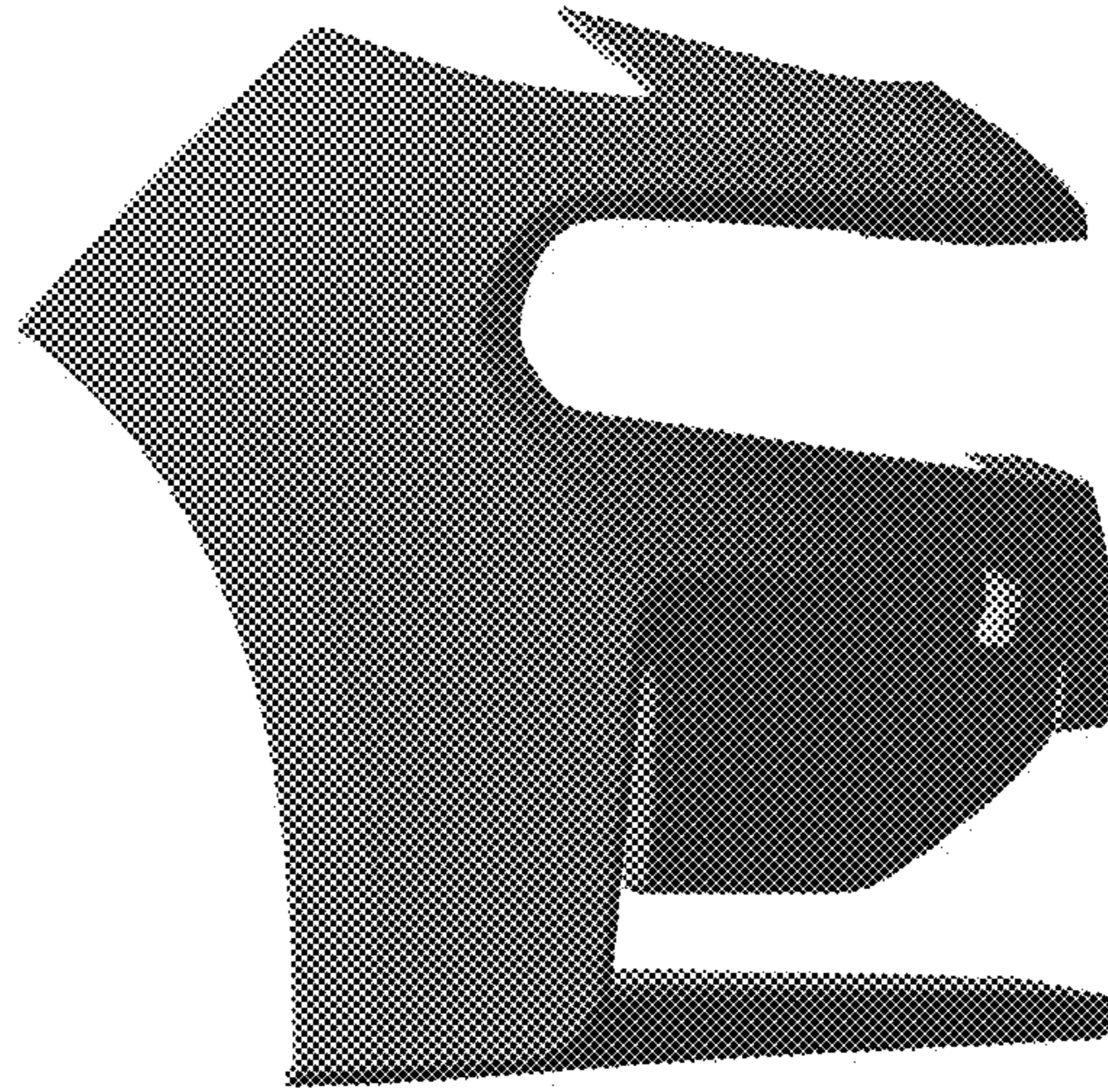


FIG. 5



FIG. 6

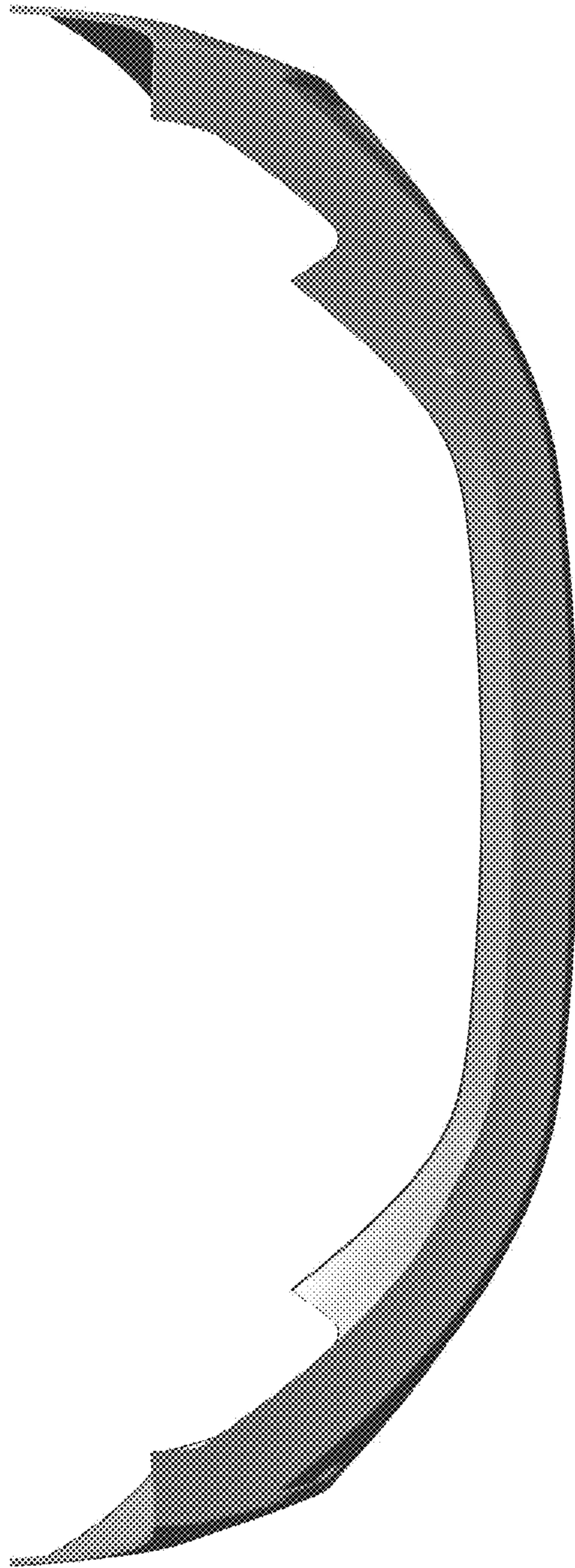


FIG. 7