



US00D836041S

(12) **United States Design Patent** (10) **Patent No.:** **US D836,041 S**
Stone et al. (45) **Date of Patent:** **** Dec. 18, 2018**

(54) **VEHICLE GRILLE**
(71) Applicants: **Nicolas Ren Stone**, Royal Oak, MI (US); **Nicholas Vardis**, Sylvan Lake, MI (US)
(72) Inventors: **Nicolas Ren Stone**, Royal Oak, MI (US); **Nicholas Vardis**, Sylvan Lake, MI (US)
(73) Assignee: **FCA US LLC**, Auburn Hills, MI (US)
(**) Term: **15 Years**
(21) Appl. No.: **29/594,156**
(22) Filed: **Feb. 16, 2017**
(51) **LOC (11) Cl.** **12-16**
(52) **U.S. Cl.**
USPC **D12/163**
(58) **Field of Classification Search**
USPC D12/93, 163, 164, 166, 172, 173, 190
CPC B62D 25/08; B62B 9/16; B60K 11/08;
B60R 19/52
See application file for complete search history.

(56) **References Cited**
U.S. PATENT DOCUMENTS
D496,890 S * 10/2004 Metros D12/163
D668,590 S * 10/2012 Furst D12/163
D687,751 S * 8/2013 Futschik D12/163
D701,798 S * 4/2014 Futschik D12/164

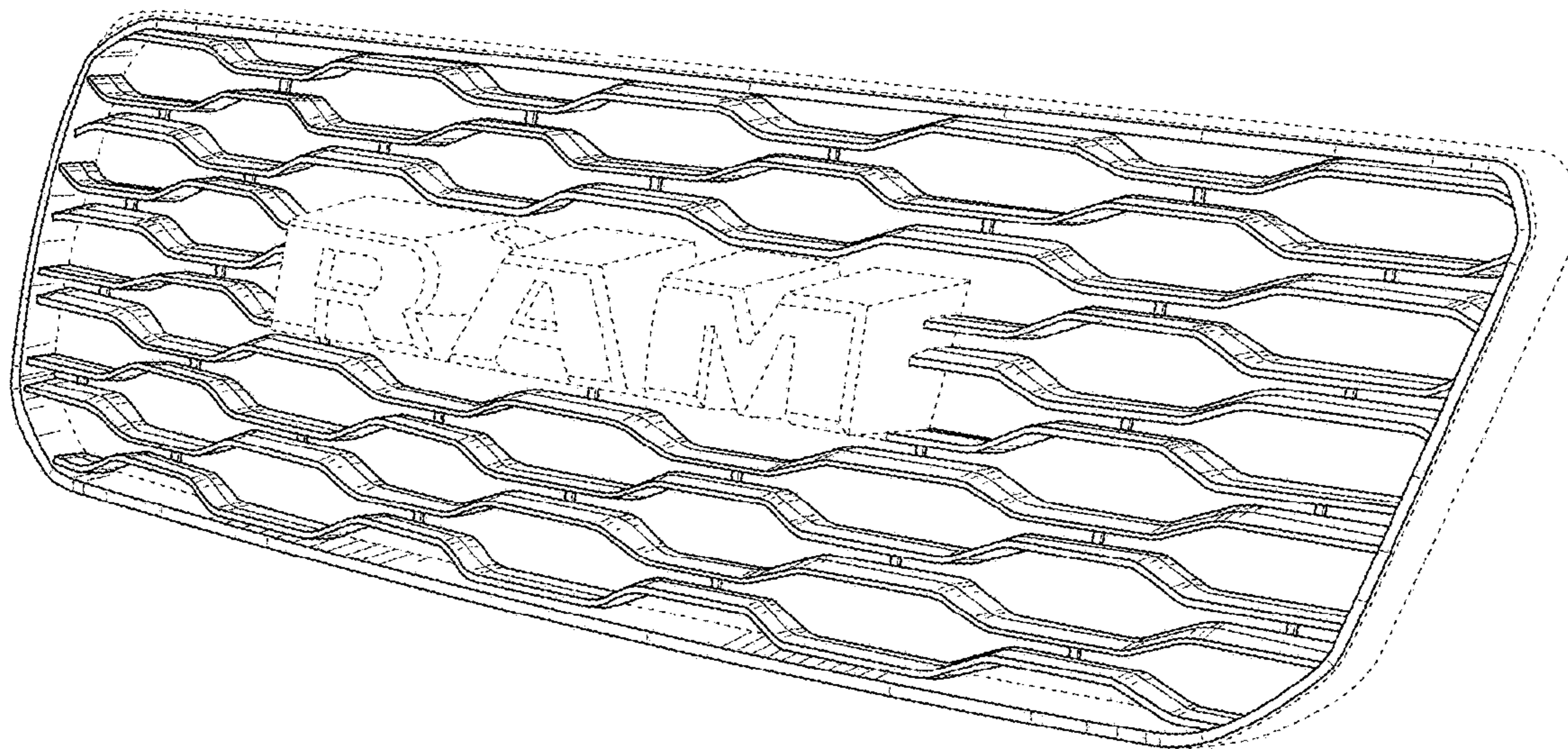
D759,551 S * 6/2016 Nakahara D12/163
D769,160 S * 10/2016 Platto D12/163
D783,465 S * 4/2017 Choi D12/163
D789,841 S * 6/2017 Malczewski D12/163
D790,412 S * 6/2017 Dunford D12/163
D790,413 S * 6/2017 Doyle D12/164
D793,918 S * 8/2017 Kozub D12/163
D794,517 S * 8/2017 Woolley D12/163
2017/0137954 A1* 5/2017 Hashimoto B60K 11/08

* cited by examiner
Primary Examiner — Susan Bennett Hattan
Assistant Examiner — Suzanne E Tisdell
(74) *Attorney, Agent, or Firm* — Ralph E. Smith

(57) **CLAIM**
The ornamental design for a vehicle grille, as shown and described.

DESCRIPTION
FIG. 2 is a front perspective view of a vehicle grille showing our new design;
FIG. 2 is a front view thereof;
FIG. 3 is a back view thereof;
FIG. 4 is a top view thereof;
FIG. 5 is a bottom view thereof;
FIG. 6 is a left side thereof; and,
FIG. 7 is a right side view.
It will be understood that the broken lines shown in the drawings illustrate portions of the vehicle grille that form no part of claimed design.

1 Claim, 5 Drawing Sheets



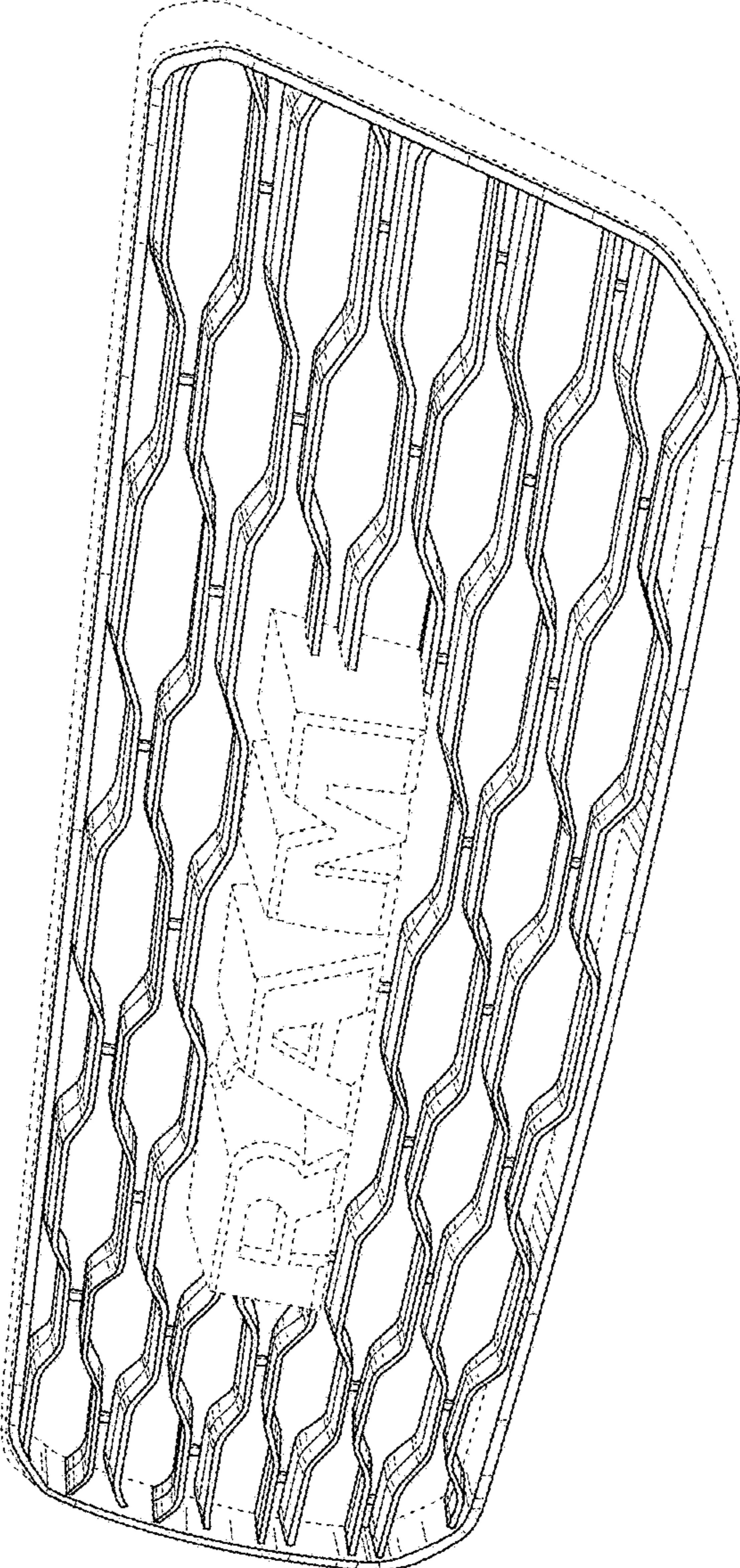


FIG. 1

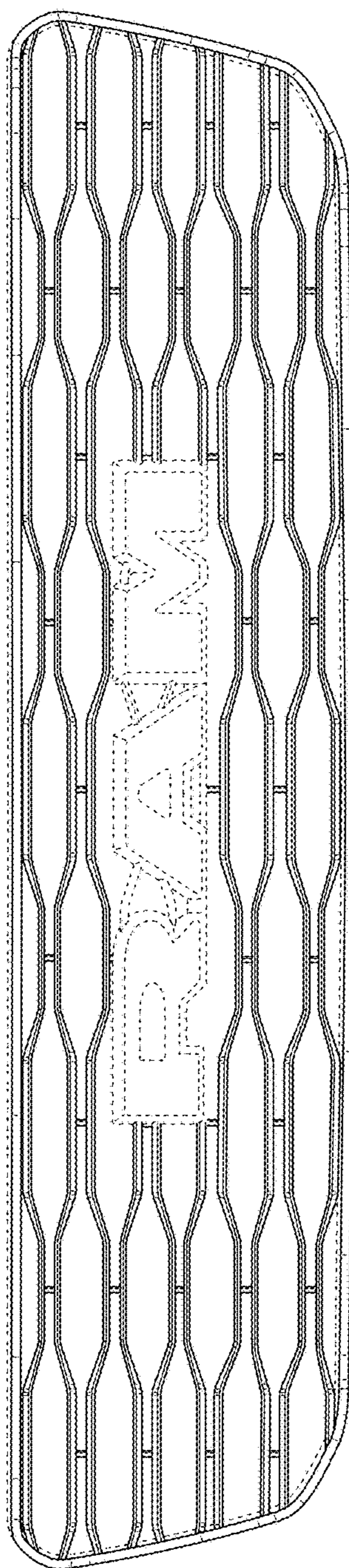


FIG 2

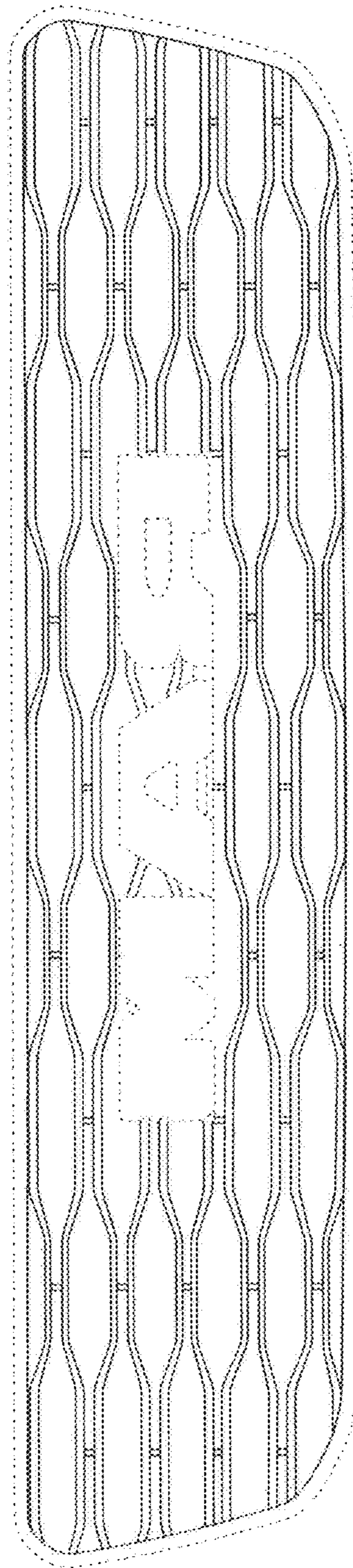


FIG. 3

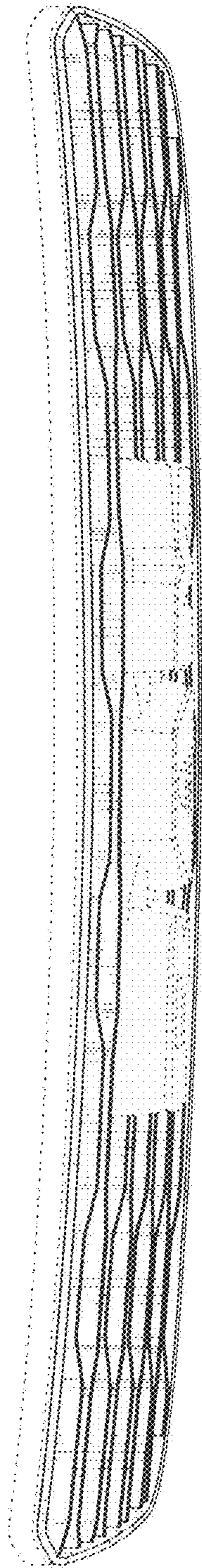


FIG. 4

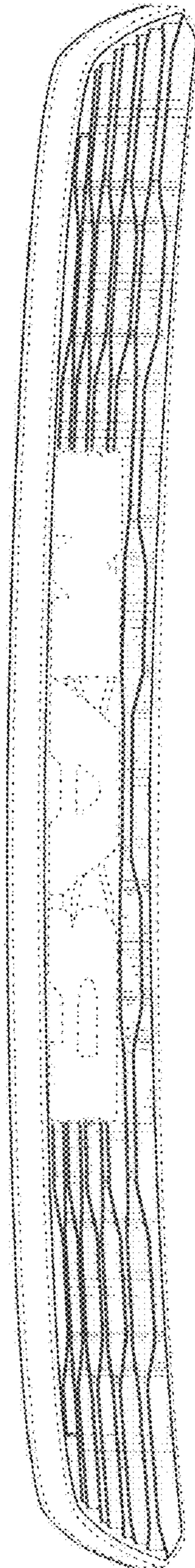


FIG. 5

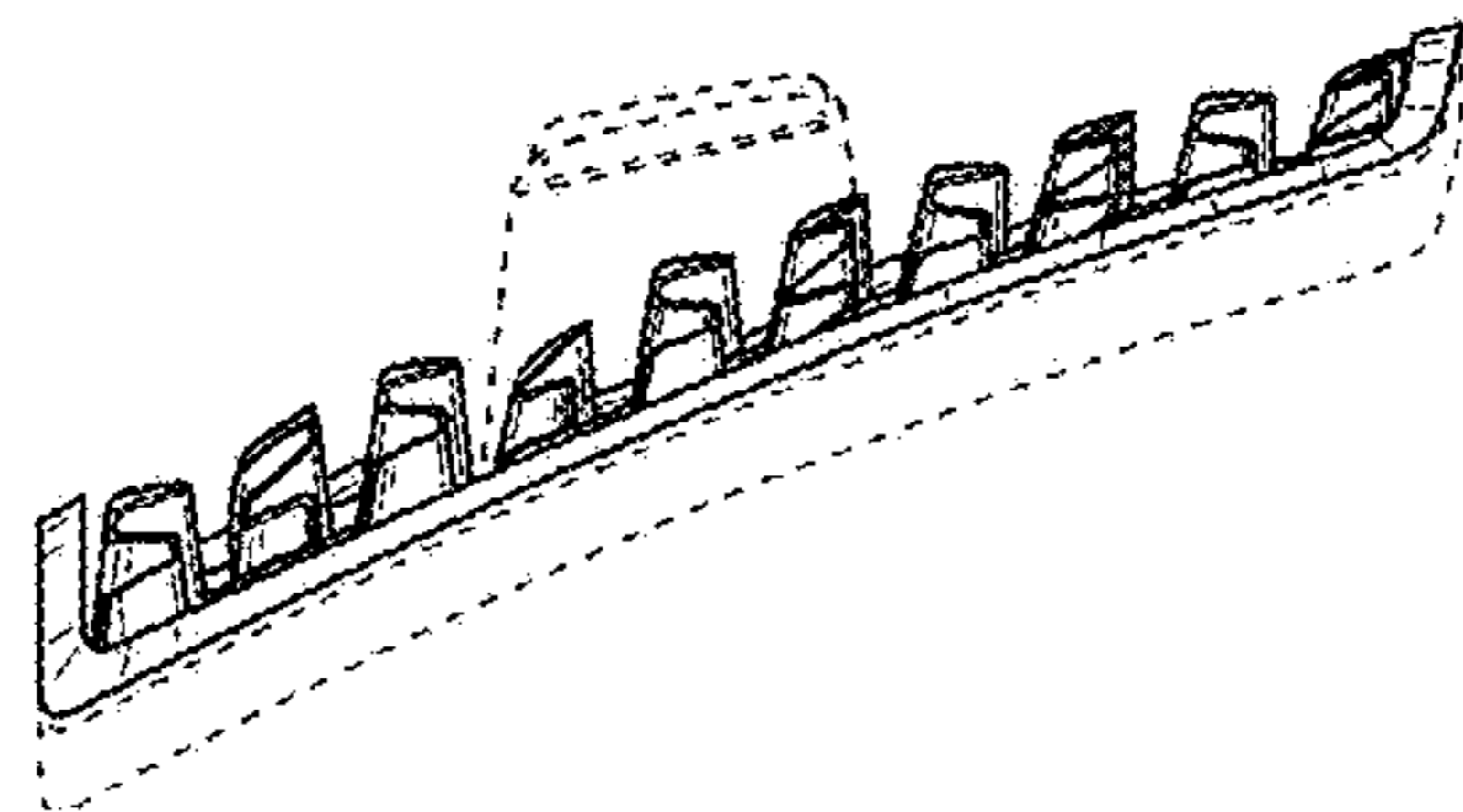


FIG. 7

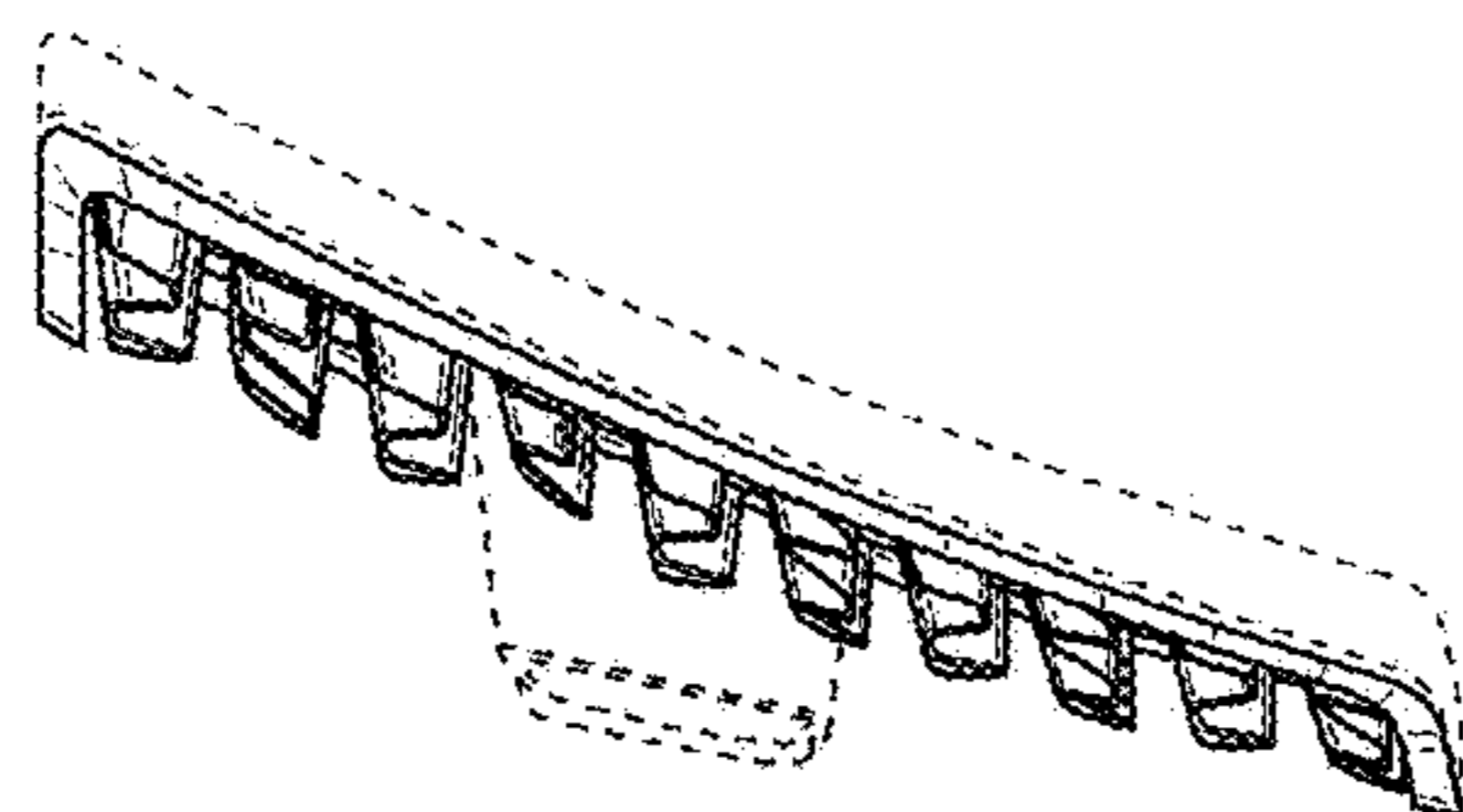


FIG. 6