

US00D836039S

(12) **United States Design Patent**  
**Kay, II et al.**

(10) **Patent No.:** **US D836,039 S**

(45) **Date of Patent:** **\*\* Dec. 18, 2018**

(54) **MOTORCYCLE FAIRING**

(71) Applicants: **Chui Wing Chuen Kay, II**, Kowloon (HK); **Chui Ka Yu Calvin**, Kowloon (HK)

(72) Inventors: **Chui Wing Chuen Kay, II**, Kowloon (HK); **Chui Ka Yu Calvin**, Kowloon (HK)

(\*\*) **Term:** **15 Years**

(21) Appl. No.: **29/593,137**

(22) Filed: **Feb. 6, 2017**

(30) **Foreign Application Priority Data**

Dec. 21, 2016 (HK) ..... 1602447

(51) **LOC (11) Cl.** ..... **12-11**

(52) **U.S. Cl.**  
USPC ..... **D12/114**

(58) **Field of Classification Search**  
USPC ..... D12/114, 117, 110, 126, 186, 182, 402  
CPC ..... B62J 17/00; B62J 17/02; B62J 17/04  
See application file for complete search history.

(56) **References Cited**

**U.S. PATENT DOCUMENTS**

D260,509 S *	9/1981	Guzzetta	.....	D12/182
D261,132 S *	10/1981	Vetter	.....	D12/182
D345,725 S *	4/1994	Camfield	.....	D12/182
D440,920 S *	4/2001	Nelson	.....	D12/182
D480,670 S *	10/2003	Hanagan	.....	D12/182

D485,221 S *	1/2004	Song	.....	D12/182
D578,941 S *	10/2008	Hanagan	.....	D12/182
D624,860 S *	10/2010	Shimizugami	.....	D12/182
7,837,253 B1 *	11/2010	Swender	.....	B62J 17/02 296/180.1
D631,802 S *	2/2011	Burden	.....	D12/182
D634,684 S *	3/2011	Hodges	.....	D12/182
D649,497 S *	11/2011	Adams	.....	D12/182
D683,276 S *	5/2013	Files	.....	D12/126
D775,027 S *	12/2016	Chui	.....	D12/182
D777,611 S *	1/2017	Griffin	.....	D12/114
D798,775 S *	10/2017	Chui	.....	D12/114
D808,867 S *	1/2018	Chui	.....	D12/114

\* cited by examiner

*Primary Examiner* — George D. Kirschbaum

*Assistant Examiner* — Clese Moore, Jr.

(74) *Attorney, Agent, or Firm* — Kilpatrick Townsend & Stockton LLP

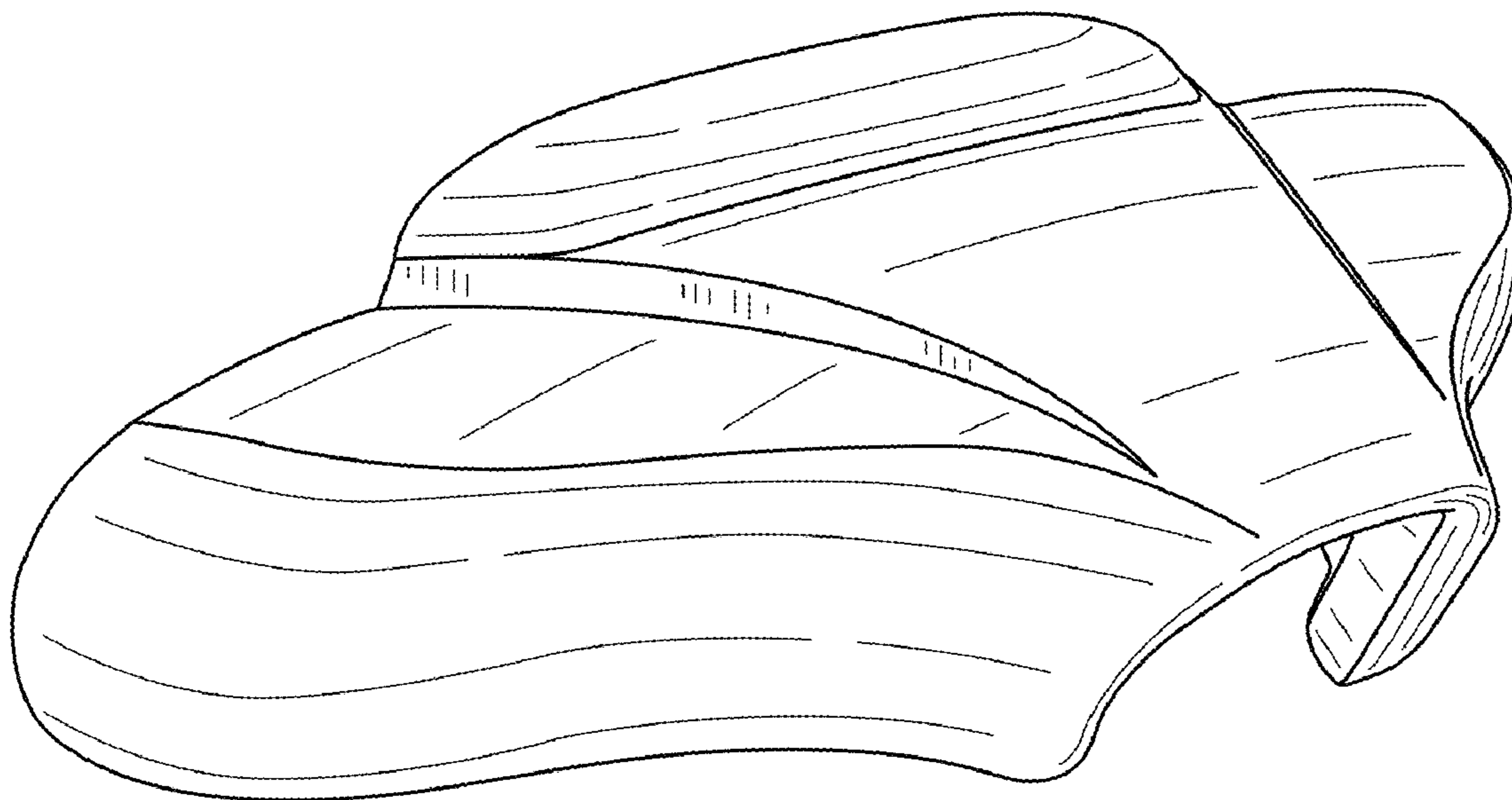
(57) **CLAIM**

The ornamental design of a motorcycle fairing or portion thereof, as shown and described.

**DESCRIPTION**

FIG. 1 is a perspective view of a motorcycle fairing, showing our new design;  
FIG. 2 is a front view thereof;  
FIG. 3 is a back view thereof;  
FIG. 4 is a right side view thereof;  
FIG. 5 is a left side view thereof;  
FIG. 6 is a top view thereof; and,  
FIG. 7 is a bottom view thereof.

**1 Claim, 4 Drawing Sheets**



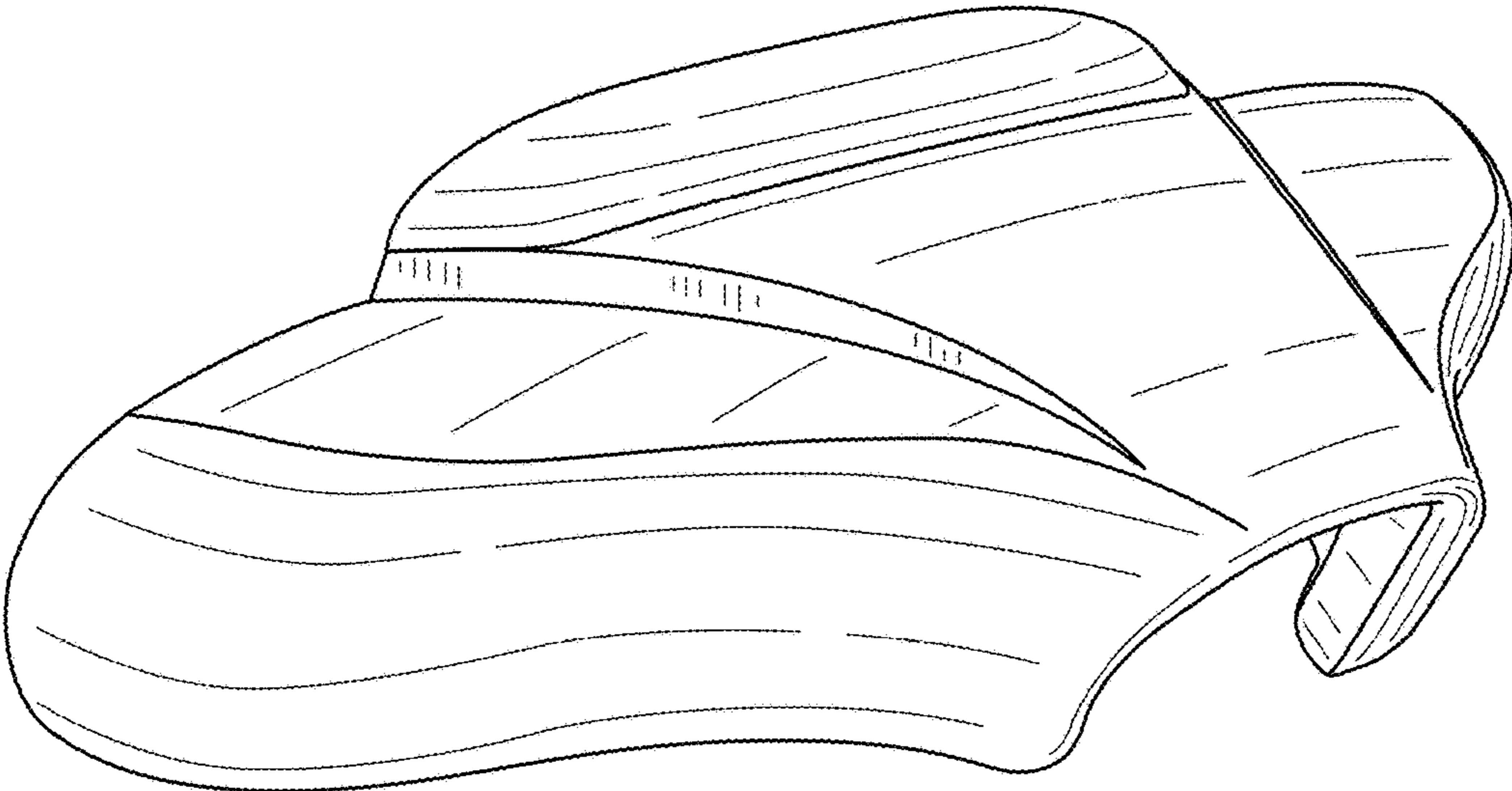


FIG.1

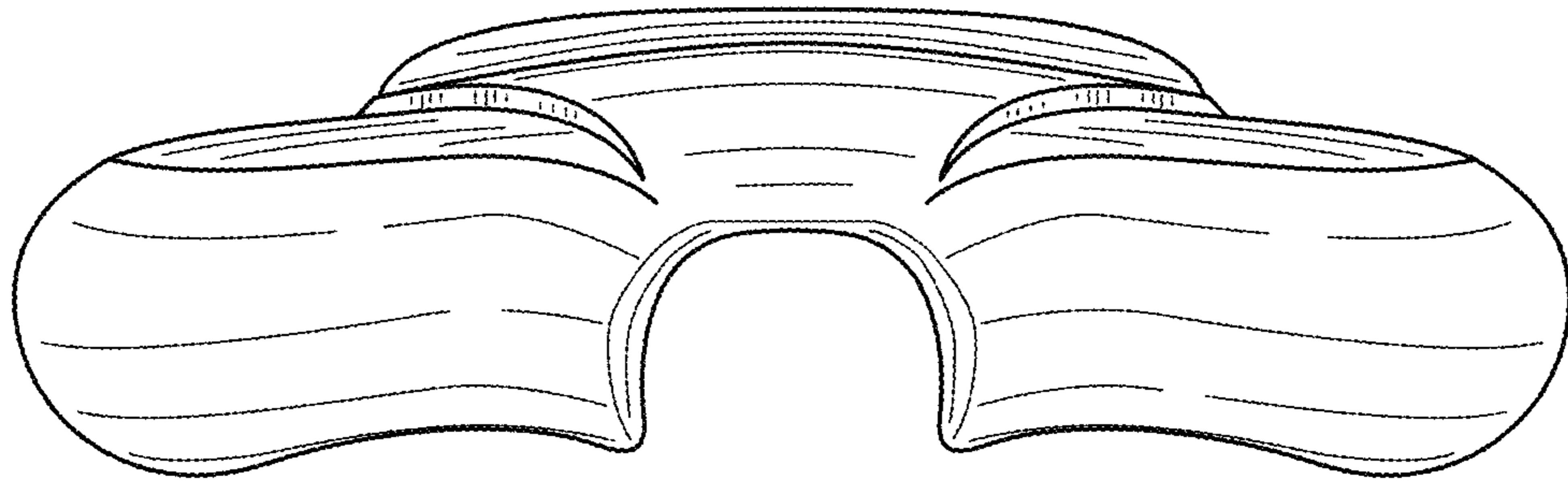


FIG. 2

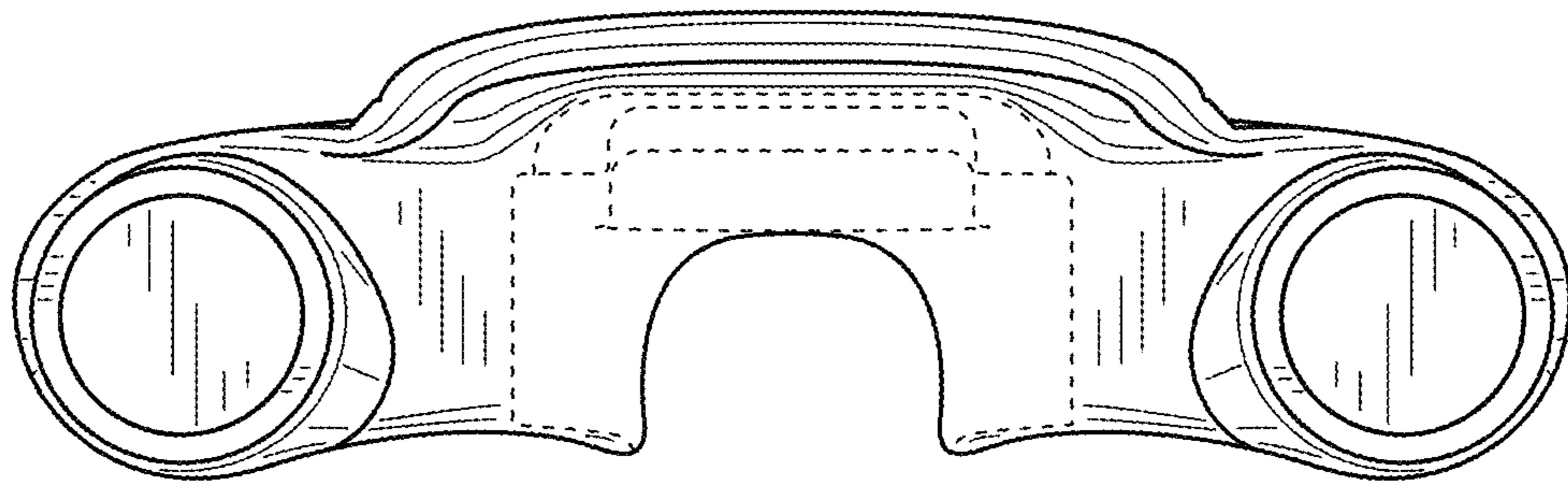


FIG. 3

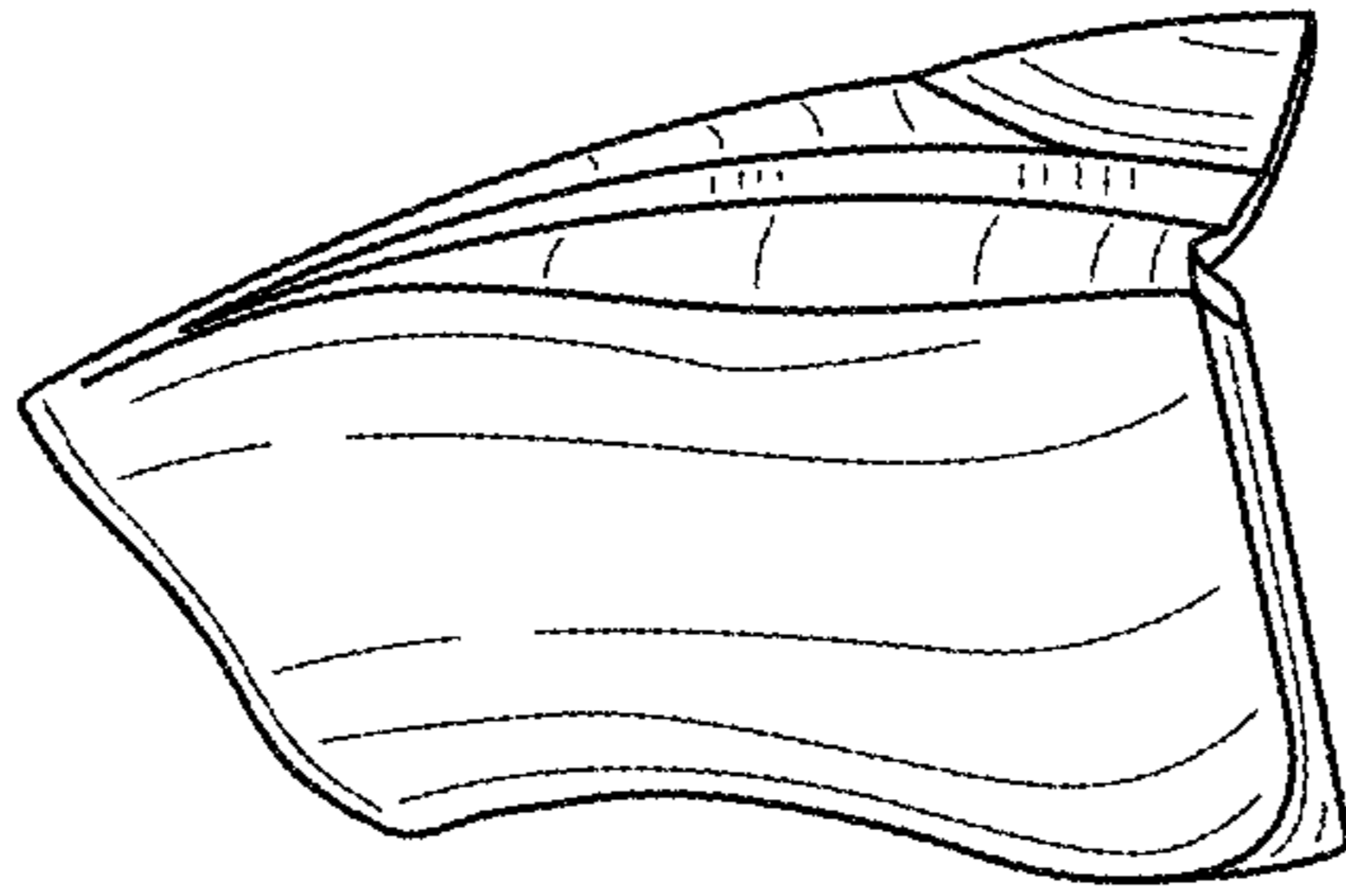


FIG. 4

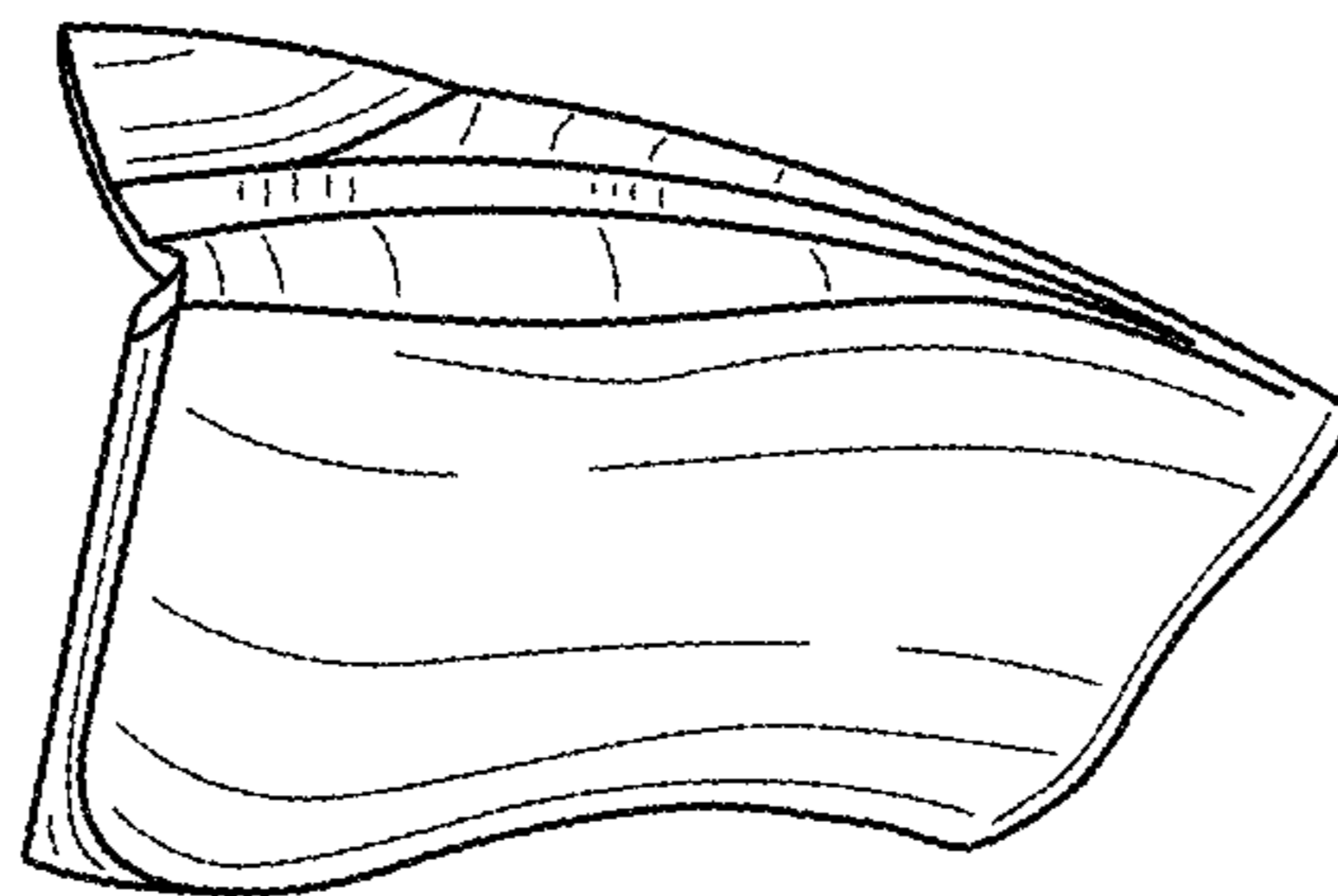


FIG. 5

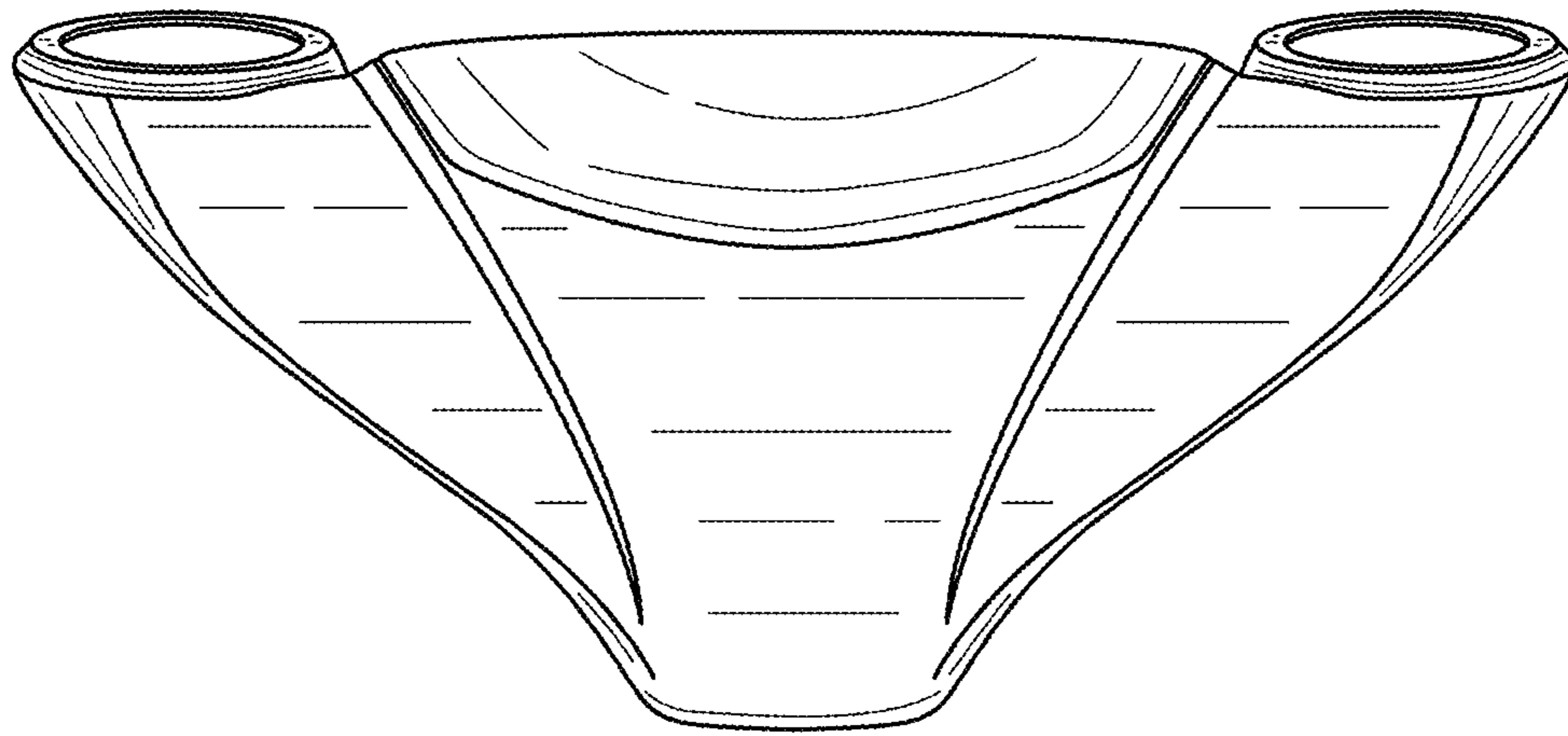


FIG. 6

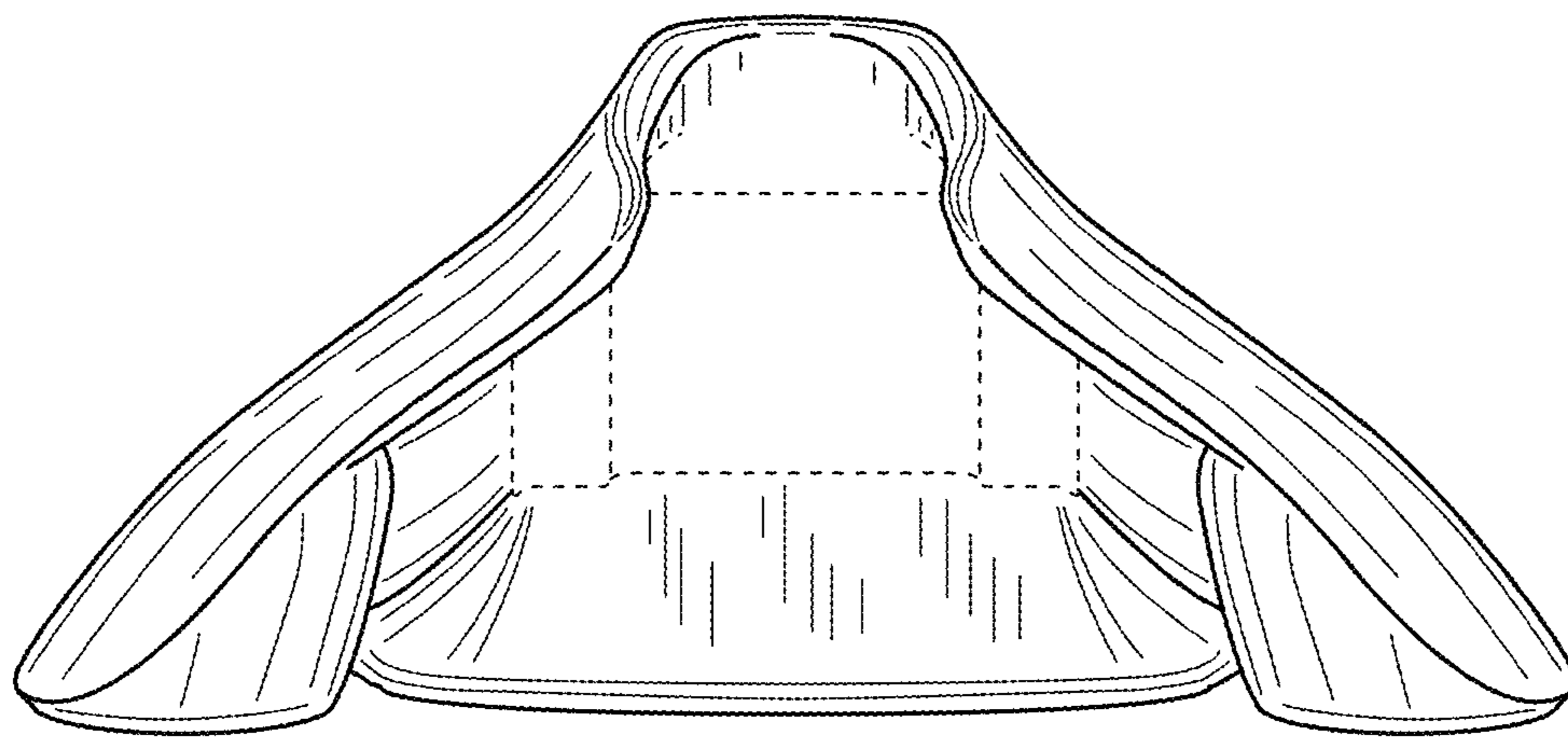


FIG. 7