

US00D836028S

(12) **United States Design Patent** (10) **Patent No.:** **US D836,028 S**
Jung et al. (45) **Date of Patent:** **** Dec. 18, 2018**

(54) **MOTOR VEHICLE, TOY OR REPLICA THEREOF**

D758,921 S * 6/2016 Hatton D12/92
D763,743 S * 8/2016 Hatton D12/164
D773,959 S * 12/2016 Jelec D12/92

(Continued)

(71) Applicant: **AUDI AG**, Ingolstadt (DE)

(72) Inventors: **Helmut Jung**, Ingolstadt (DE); **Dany Garand**, Ingolstadt (DE)

(73) Assignee: **AUDI AG**, Ingolstadt (DE)

(**) Term: **15 Years**

(21) Appl. No.: **29/575,906**

(22) Filed: **Aug. 30, 2016**

(30) **Foreign Application Priority Data**

Mar. 2, 2016 (EM) 003 009 679-0002
Mar. 2, 2016 (EM) 003 009 679-0003
Mar. 2, 2016 (EM) 003 009 687-0002
Mar. 2, 2016 (EM) 003 009 687-0003

(51) **LOC (11) Cl.** **12-08**

(52) **U.S. Cl.**
USPC **D12/92**

(58) **Field of Classification Search**
USPC D12/90-92, 164, 169, 196;
296/181.1-181.5; D21/548, 560
CPC B60Y 2306/01; B60K 11/085
See application file for complete search history.

(56) **References Cited**

U.S. PATENT DOCUMENTS

D629,718 S * 12/2010 Reichman D12/92
D711,791 S * 8/2014 Futschik D12/164
D719,878 S * 12/2014 Webber D12/92
D744,903 S * 12/2015 Jelec D12/92
D748,535 S * 2/2016 Hatton D12/92
D758,249 S * 6/2016 Callum D12/92
D758,251 S * 6/2016 Jelec D12/92

FOREIGN PATENT DOCUMENTS

EM 002543579-0001 1/2015

Primary Examiner — Garth Rademaker
Assistant Examiner — Melvin L Davis

(74) *Attorney, Agent, or Firm* — Lucas & Mercanti, LLP;
Klaus P. Stoffel

(57) **CLAIM**

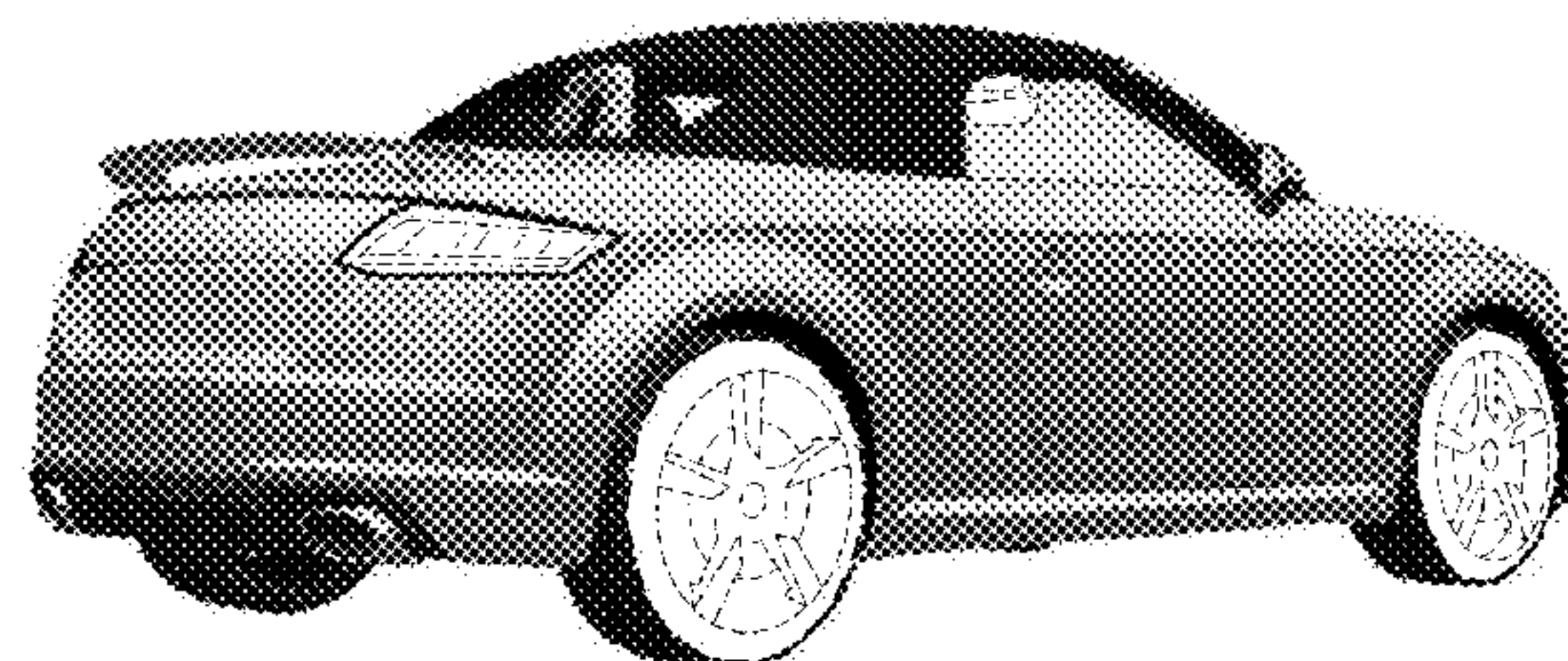
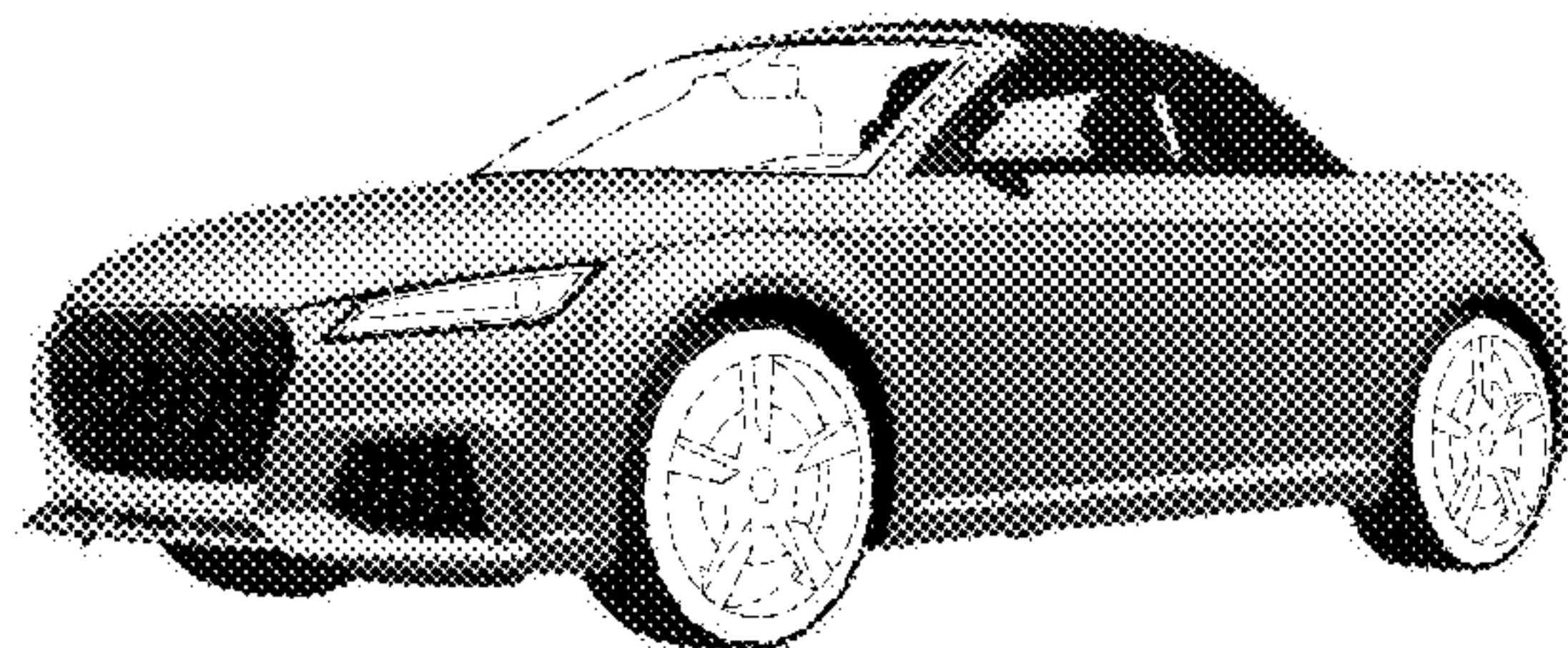
The ornamental design for a motor vehicle, toy or replica thereof, as shown and described.

DESCRIPTION

FIG. 1 is a front, right side perspective view of the motor vehicle, toy or replica thereof of the present invention with the convertible top closed;
FIG. 2 is a rear, left side perspective view thereof;
FIG. 3 is a front view thereof;
FIG. 4 is a rear view thereof;
FIG. 5 is a right side view thereof;
FIG. 6 is a left side view thereof;
FIG. 7 is a top view thereof;
FIG. 8 is a bottom view thereof;
FIG. 9 is a front, right side perspective view thereof with the convertible top open;
FIG. 10 is a rear, left side perspective view thereof;
FIG. 11 is a front view thereof;
FIG. 12 is a rear view thereof;
FIG. 13 is a right side view thereof;
FIG. 14 is a left side view thereof; and,
FIG. 15 is a top view thereof.

The evenly-broken lines are included for the purpose of illustrating portions of the motor vehicle, toy and replicas thereof that form no part of the claimed design. The unevenly-broken lines illustrate boundaries of the claim.

1 Claim, 8 Drawing Sheets



(56)

References Cited

U.S. PATENT DOCUMENTS

D779,379 S * 2/2017 Jelec D12/92
D780,076 S * 2/2017 Peat D12/164

* cited by examiner

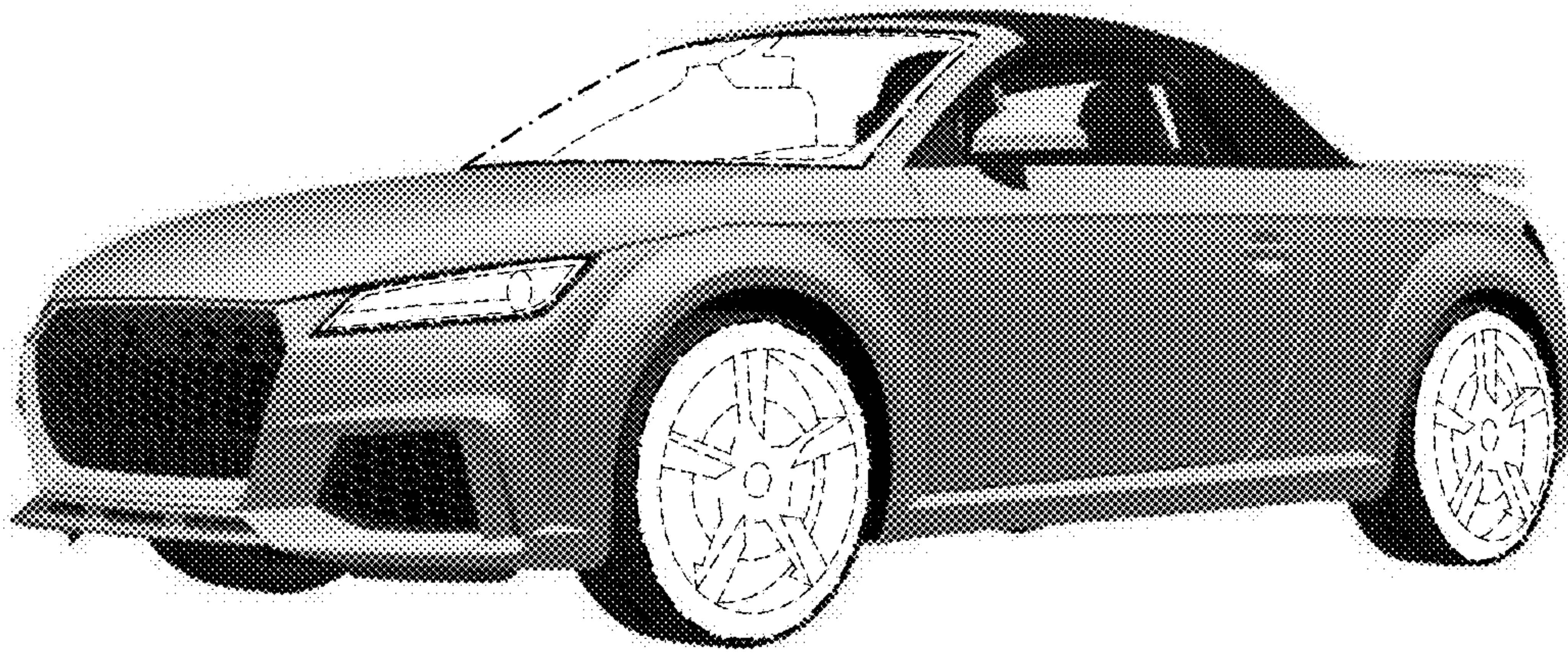


Fig. 1

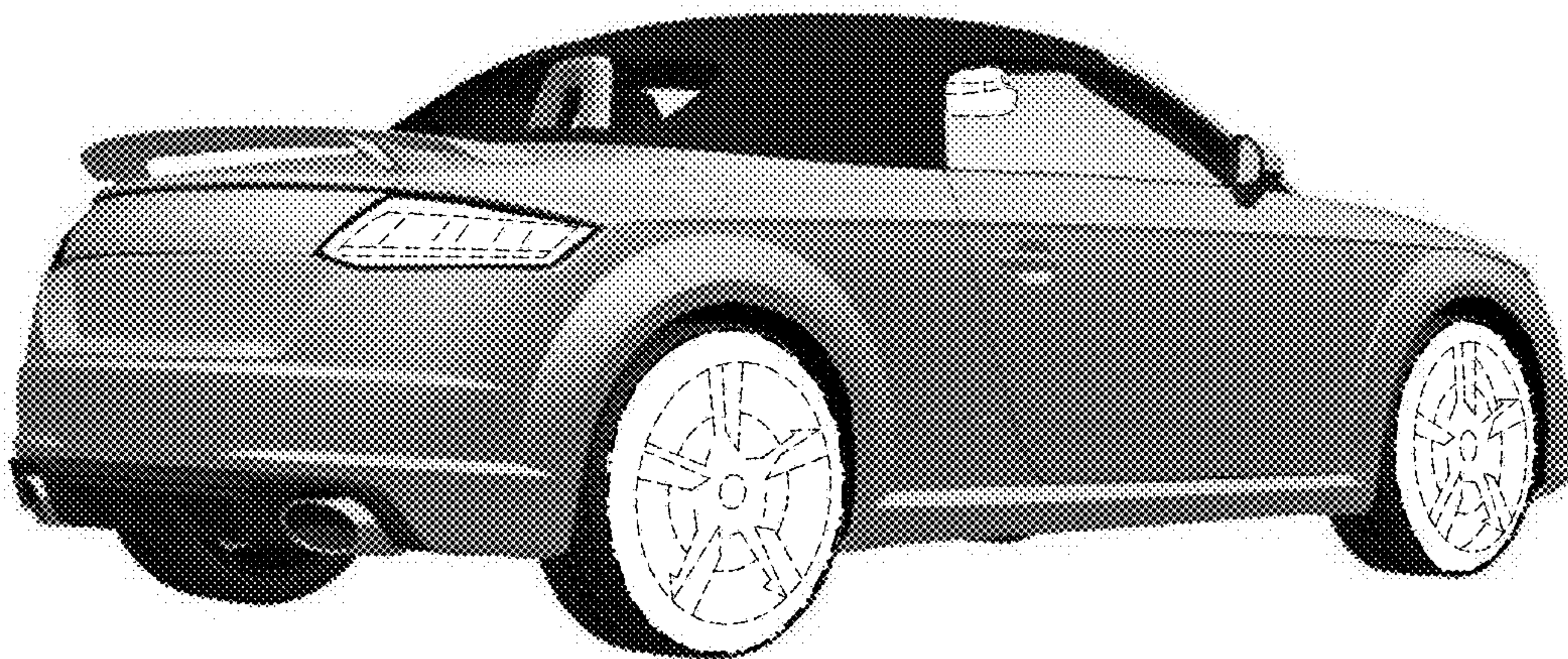


Fig. 2

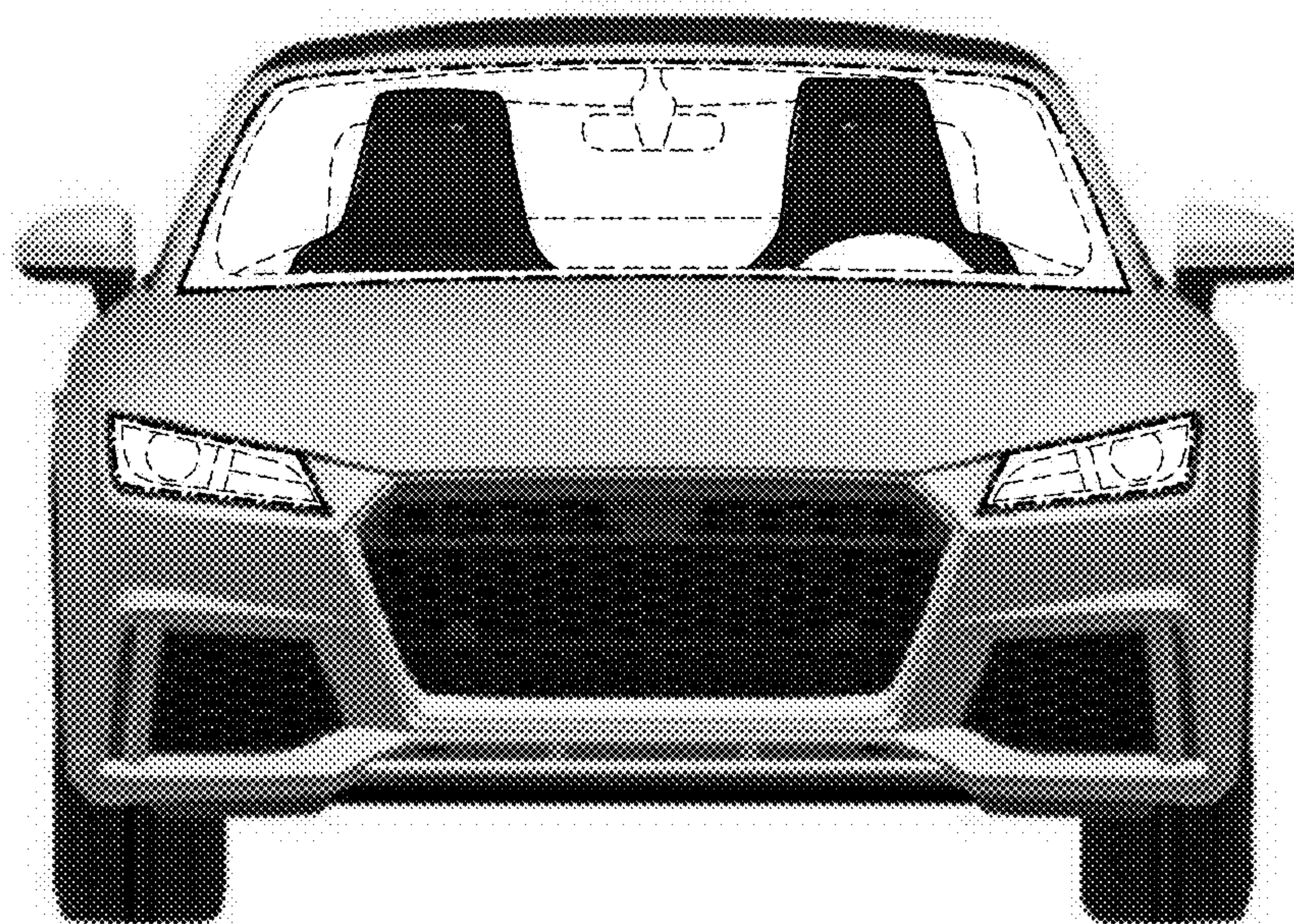


Fig. 3

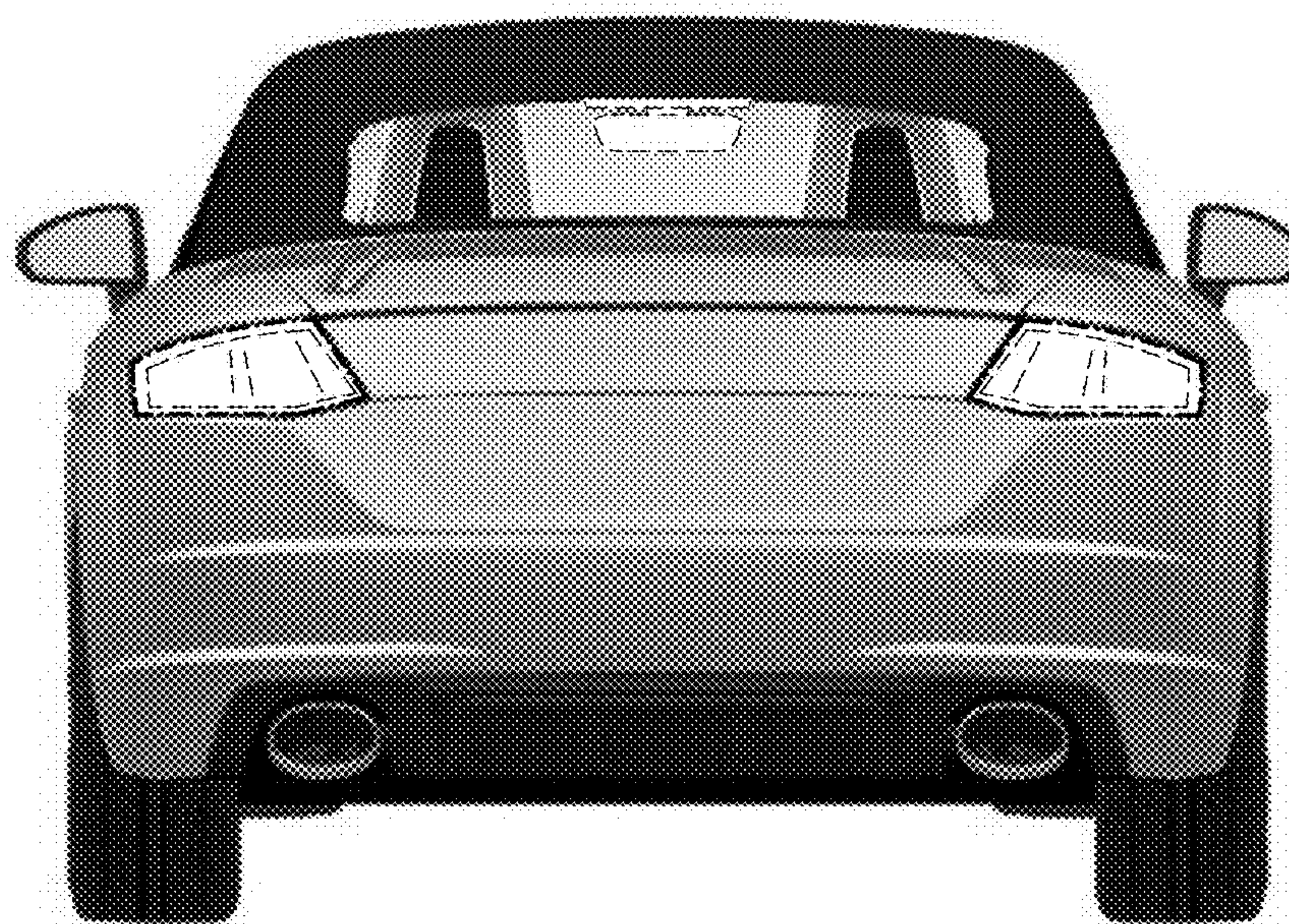


Fig. 4

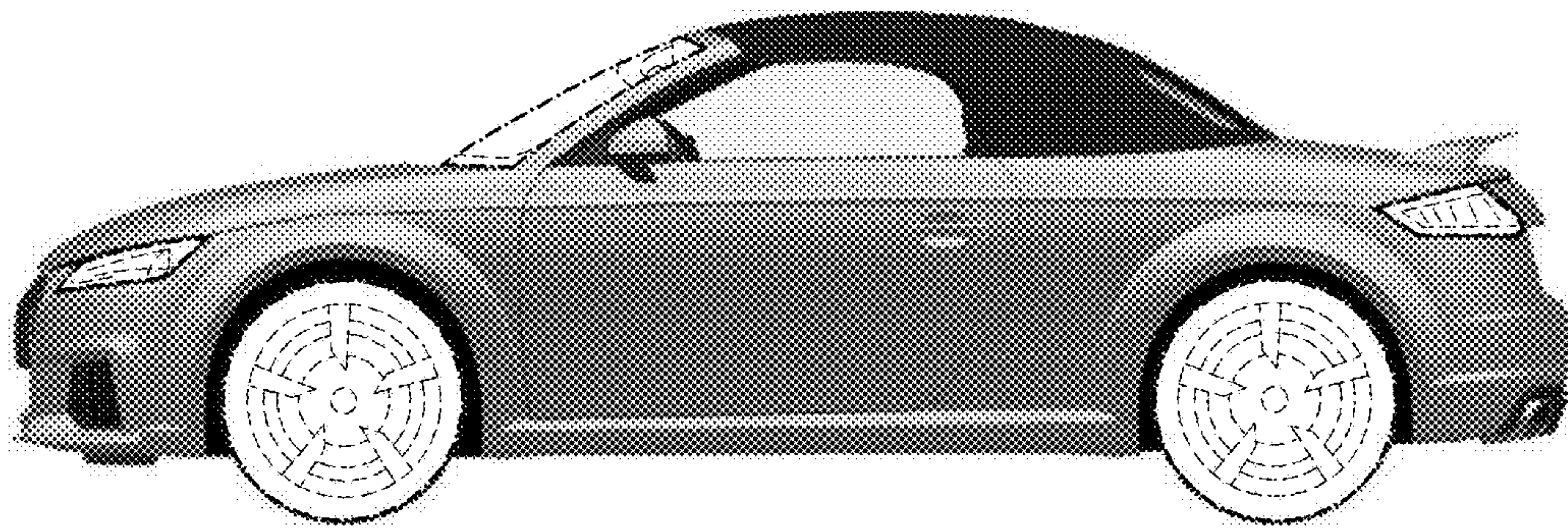


Fig. 5

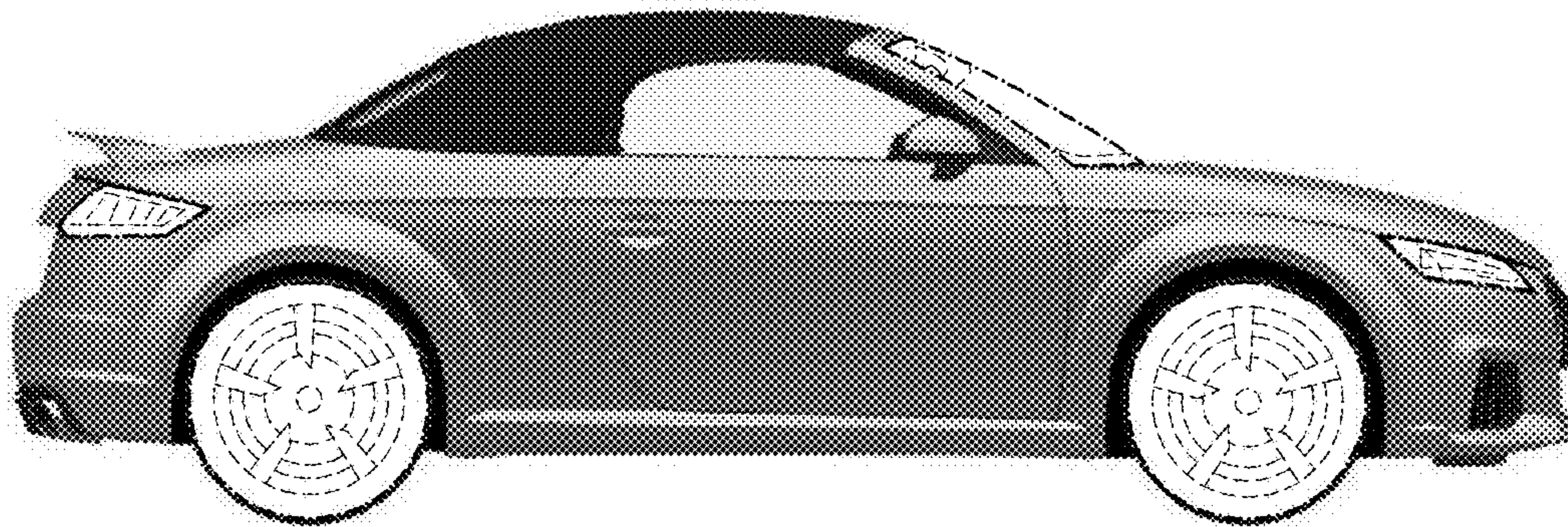


Fig. 6

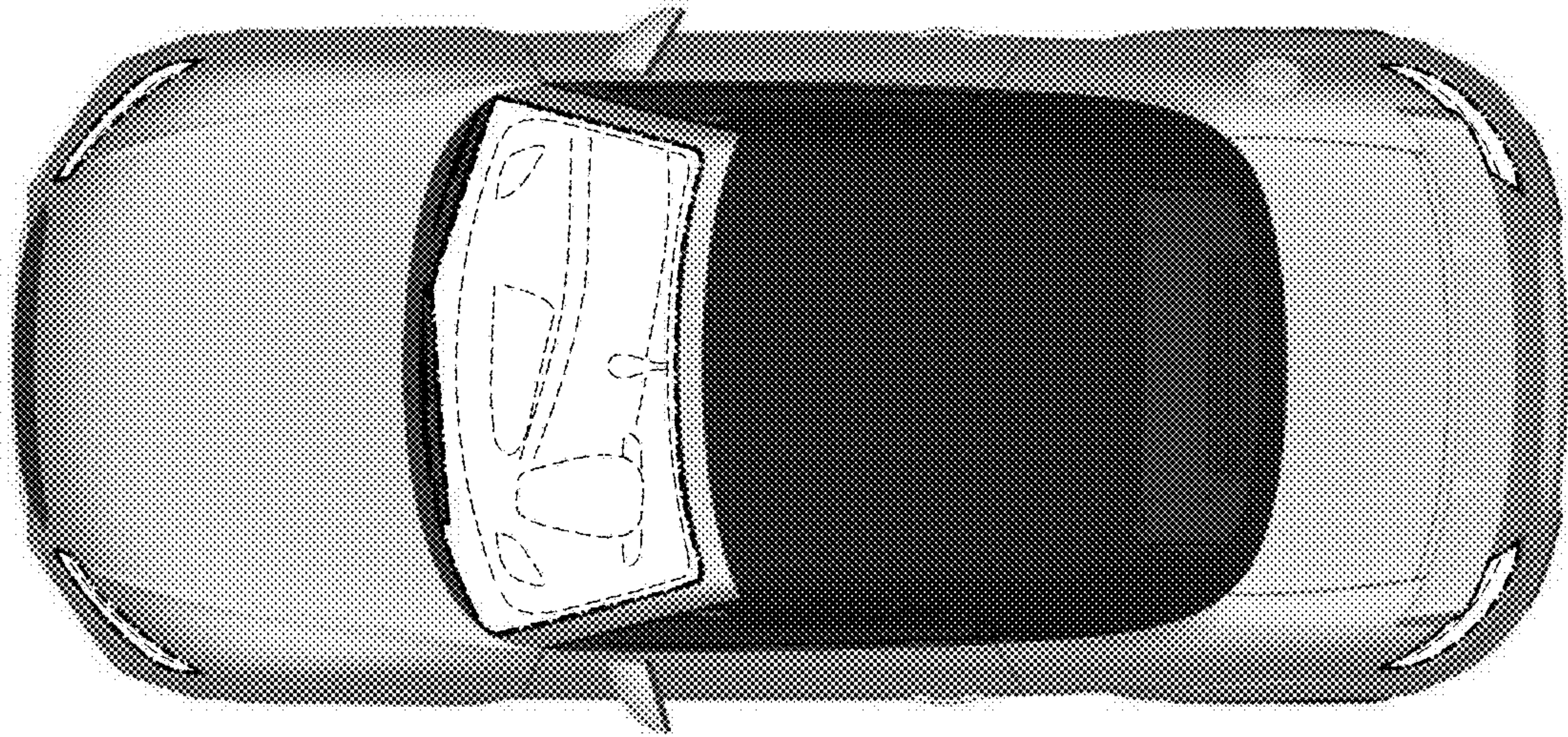


Fig. 7

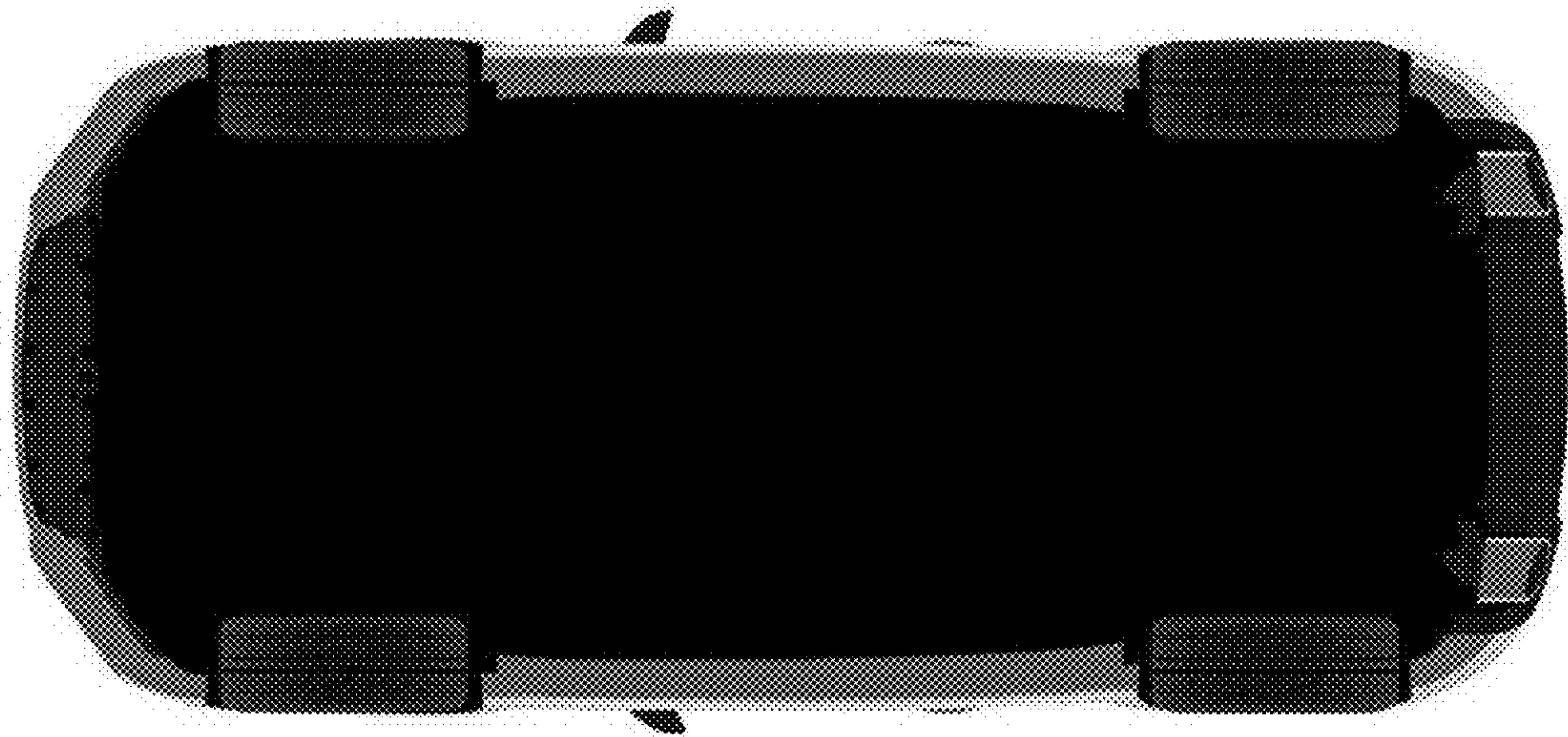


Fig. 8

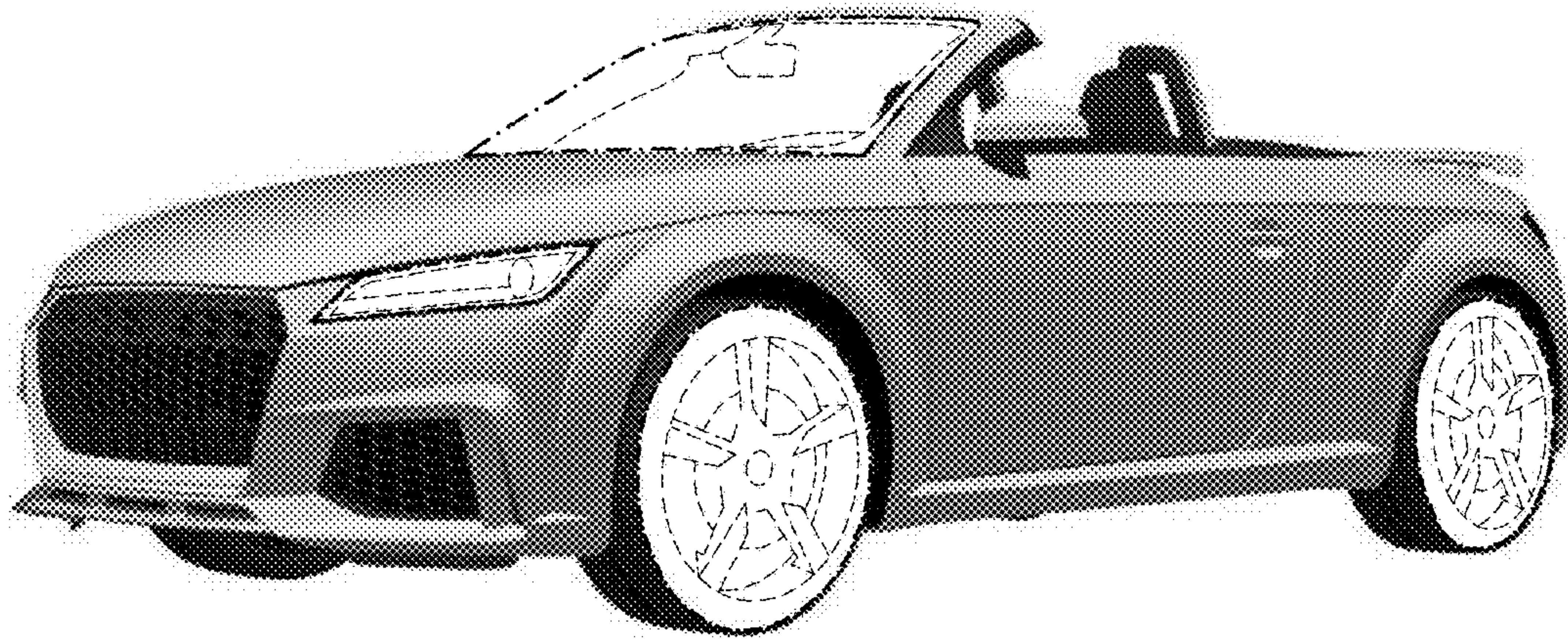


Fig. 9

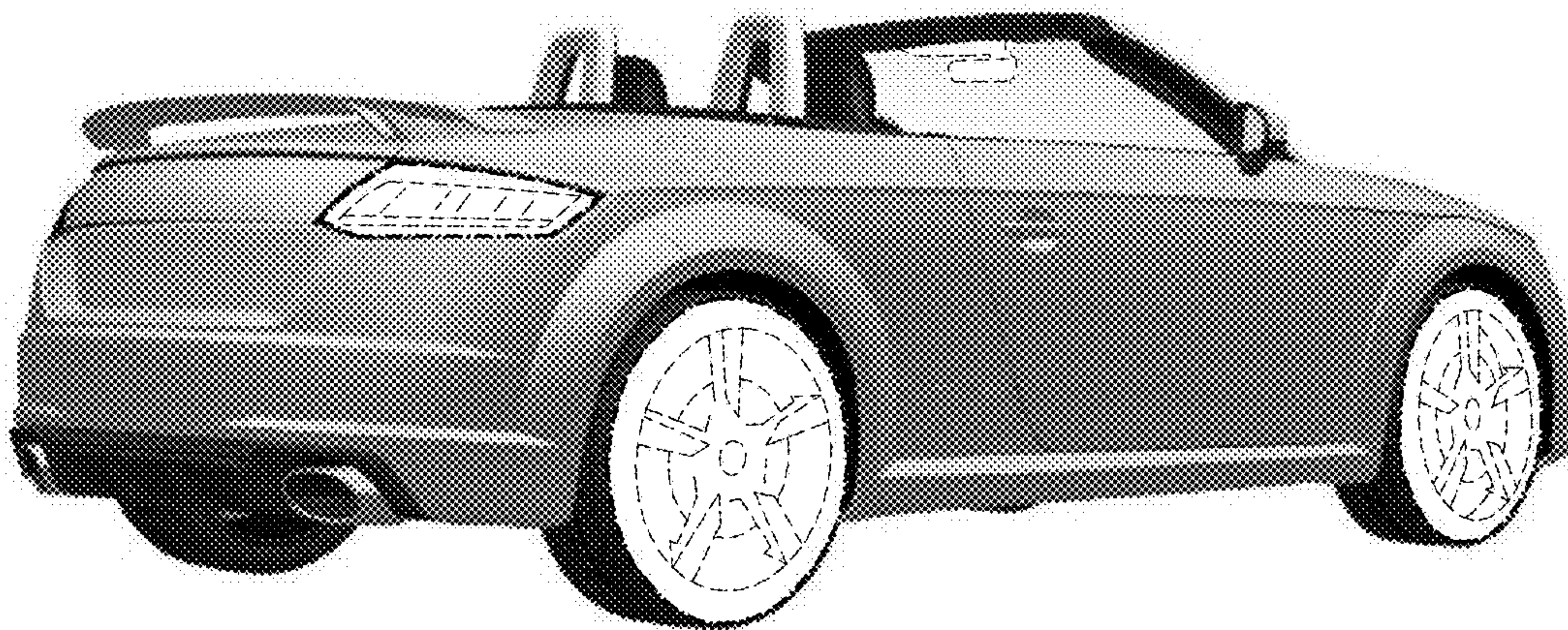


Fig. 10

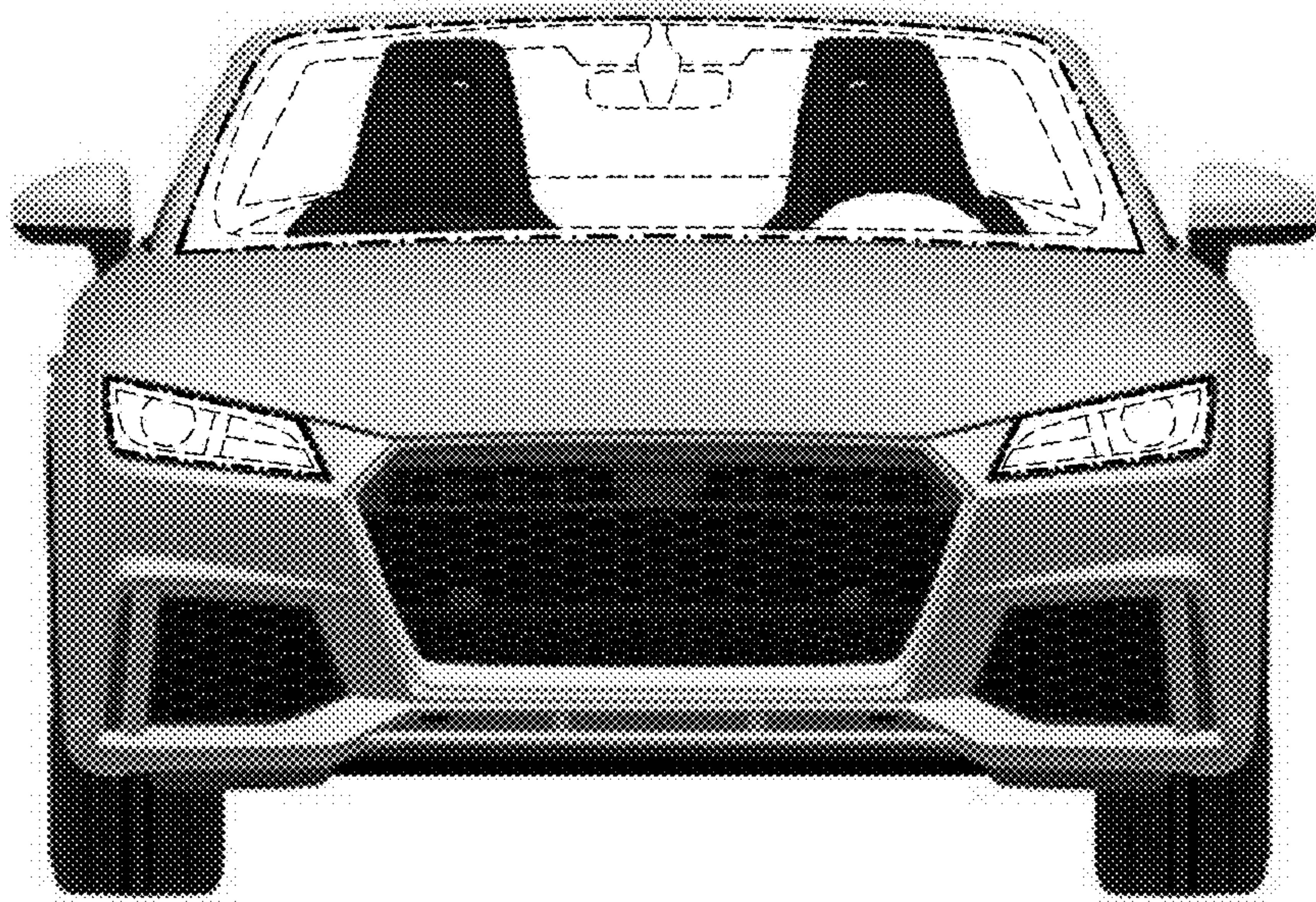


Fig. 11

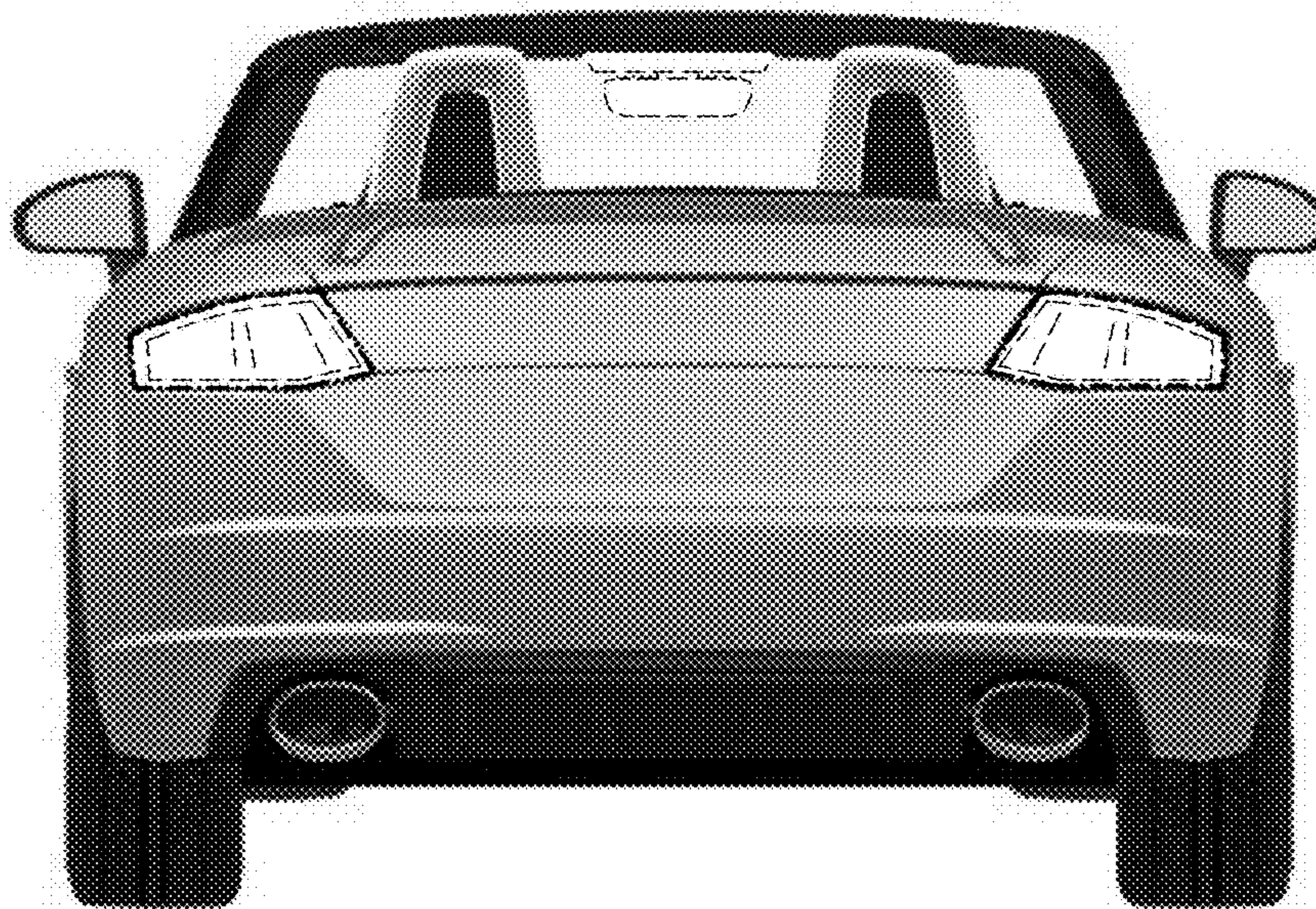


Fig. 12

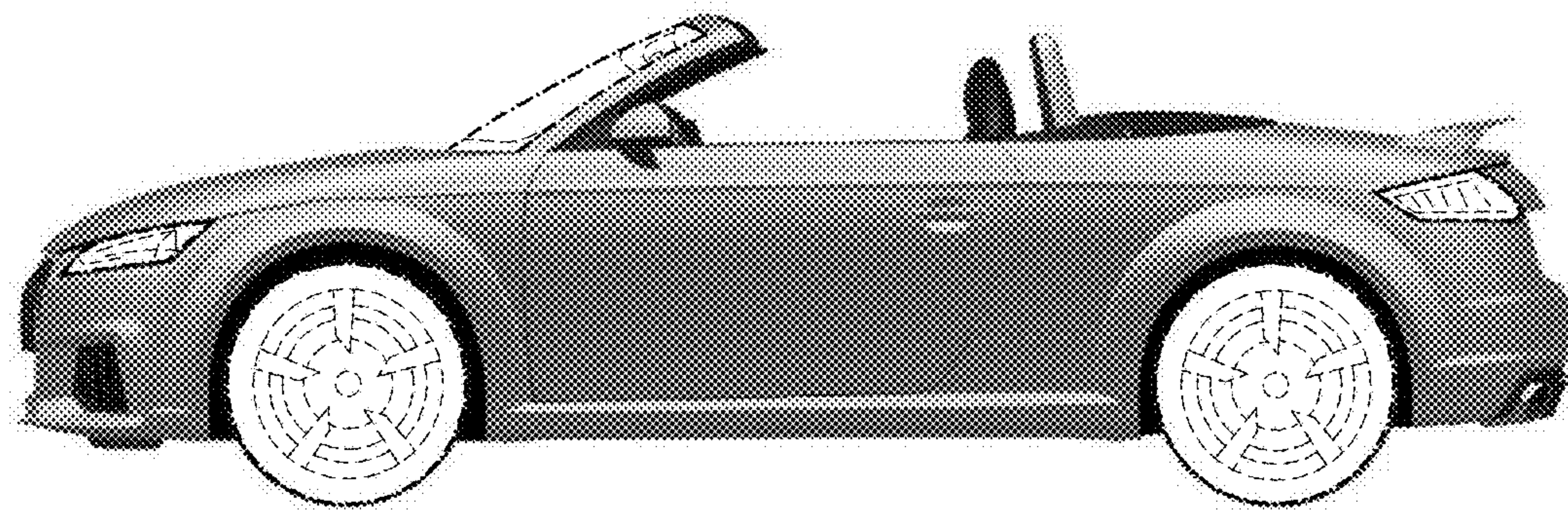


Fig. 13

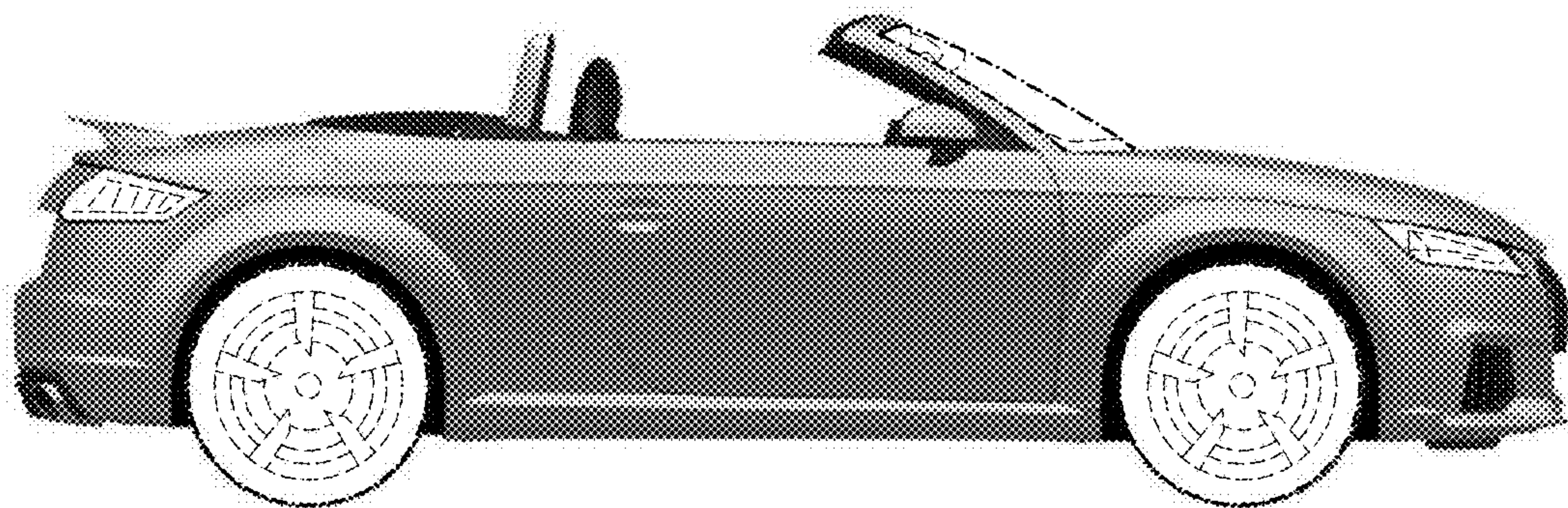


Fig. 14

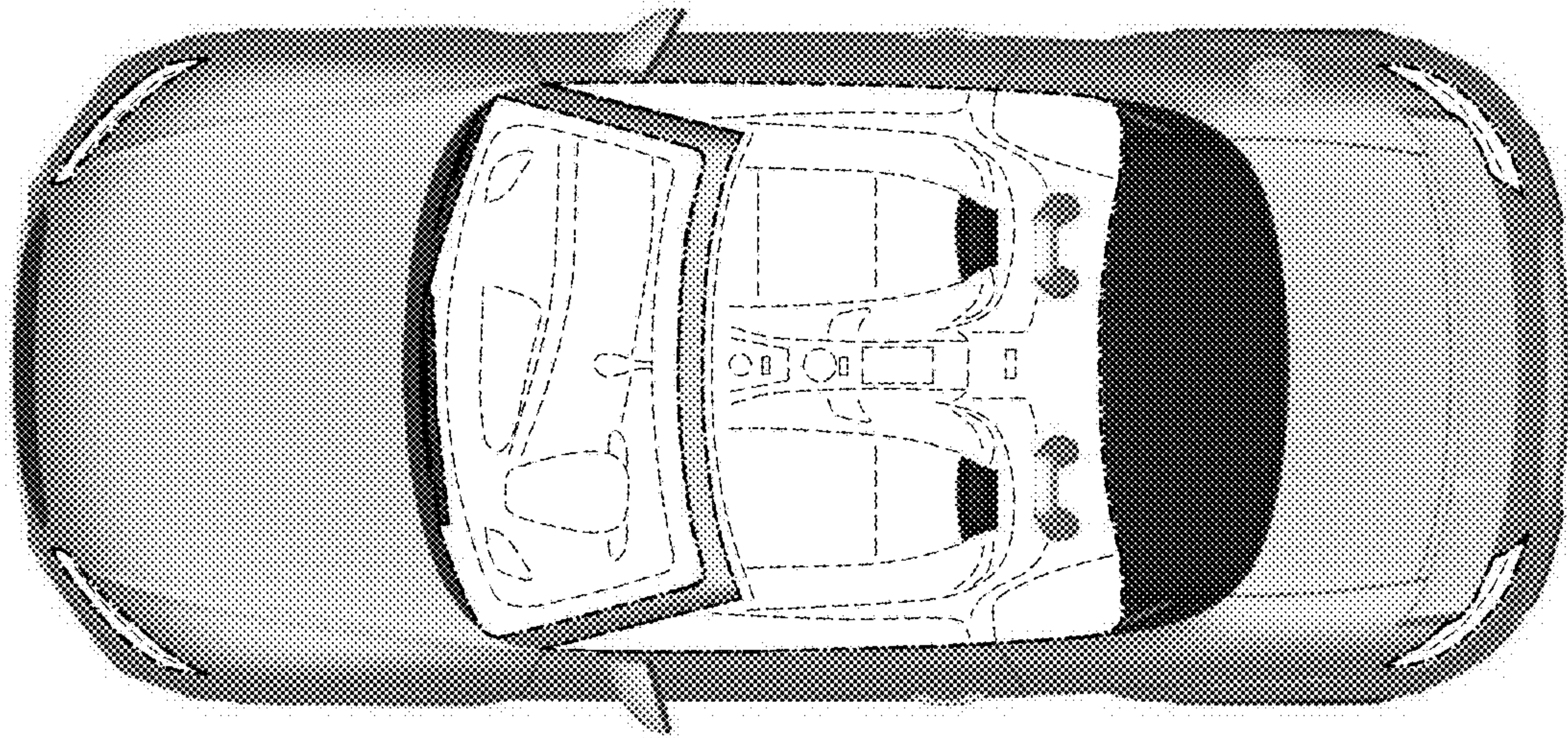


Fig. 15