



US00D836027S

(12) **United States Design Patent**  
**Bollinger**

(10) **Patent No.:** **US D836,027 S**

(45) **Date of Patent:** **\*\* Dec. 18, 2018**

(54) **VEHICLE**

(71) Applicant: **Bollinger Motors, LLC**, Hobart, NY (US)

(72) Inventor: **Robert Bollinger**, Hobart, NY (US)

(73) Assignee: **Bollinger Motors, LLC**, Hobart, NY (US)

(\*\*) Term: **15 Years**

(21) Appl. No.: **29/612,005**

(22) Filed: **Jul. 27, 2017**

(51) **LOC (11) Cl.** ..... **12-08**

(52) **U.S. Cl.**  
USPC ..... **D12/91**

(58) **Field of Classification Search**  
USPC ..... D12/86, 90-92, 88; D21/421, 433, 434;  
296/181.1, 181.5  
CPC ..... B62D 35/00; B62D 25/00; B62D 25/06;  
B62D 33/00  
See application file for complete search history.

(56) **References Cited**

**U.S. PATENT DOCUMENTS**

D542,179 S \* 5/2007 Renkert ..... D12/91  
D542,180 S \* 5/2007 Renkert ..... D12/91  
D565,467 S \* 4/2008 Aneiros ..... D12/91

D681,511 S \* 5/2013 Nakamura ..... D12/91  
D692,347 S \* 10/2013 Tada ..... D12/91  
D719,876 S \* 12/2014 Tsutamori ..... D12/91  
D723,425 S \* 3/2015 Glover ..... D12/91  
D762,143 S \* 7/2016 Tu ..... D12/91  
D763,735 S \* 8/2016 Tu ..... D12/91  
D800,022 S \* 10/2017 Piscitelli ..... D12/98  
D813,096 S \* 3/2018 Ren ..... D12/91

\* cited by examiner

*Primary Examiner* — Melody N Brown

(74) *Attorney, Agent, or Firm* — Varnum, Riddering, Schmidt & Howlett LLP

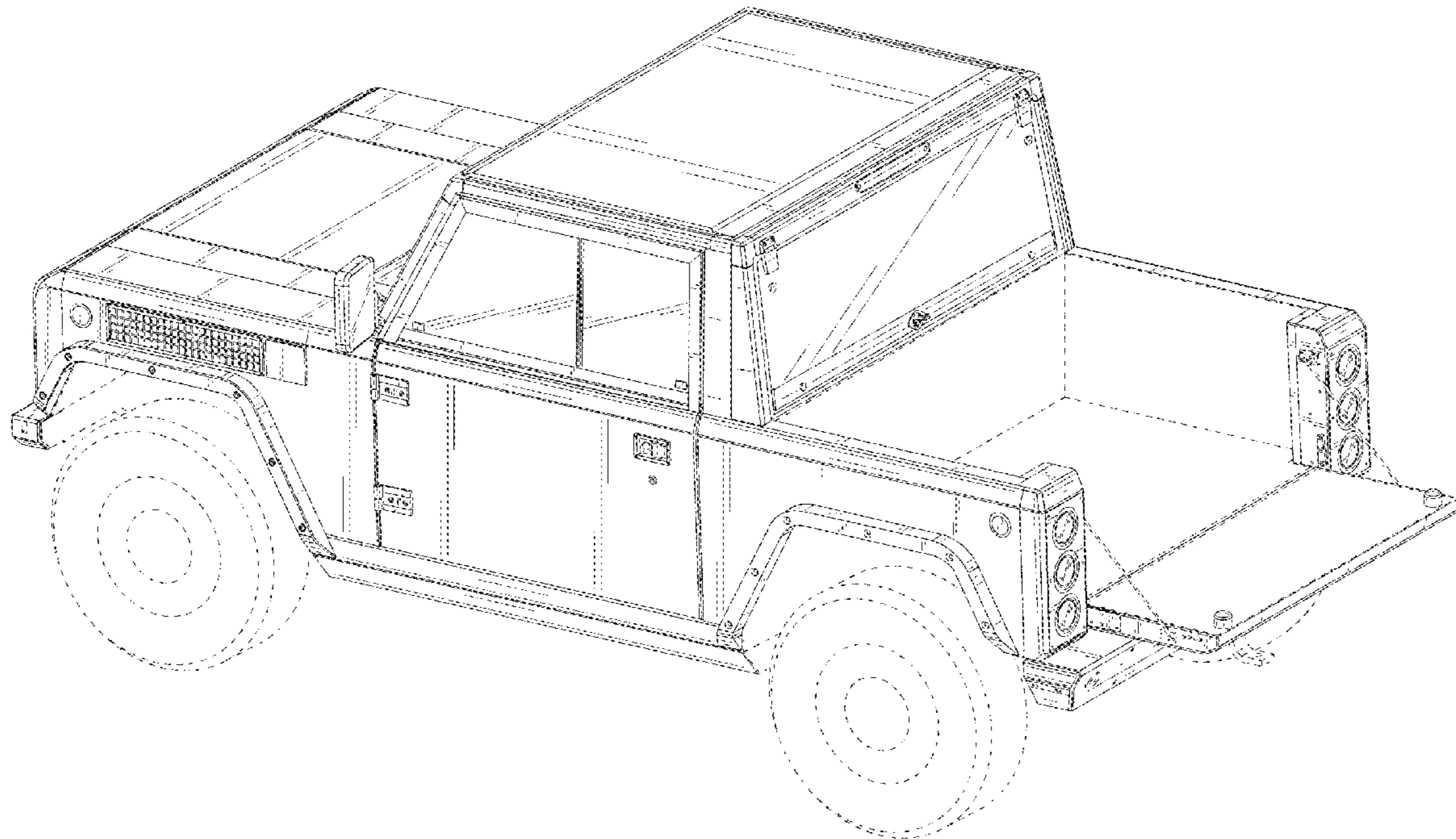
(57) **CLAIM**

The ornamental design for a vehicle, as shown and described.

**DESCRIPTION**

FIG. 1 is a rear perspective view of a vehicle showing my new design;  
FIG. 2 is a front elevation view thereof;  
FIG. 3 is a rear elevation view thereof;  
FIG. 4 is a side elevational view thereof, the opposite side view being a mirror image of that side shown;  
FIG. 5 is top plan view thereof; and,  
FIG. 6 is a bottom plan view thereof.  
The portions of the vehicle shown in broken lines shown throughout the drawing are for environmental purposes only and form no part of the claimed design.

**1 Claim, 6 Drawing Sheets**



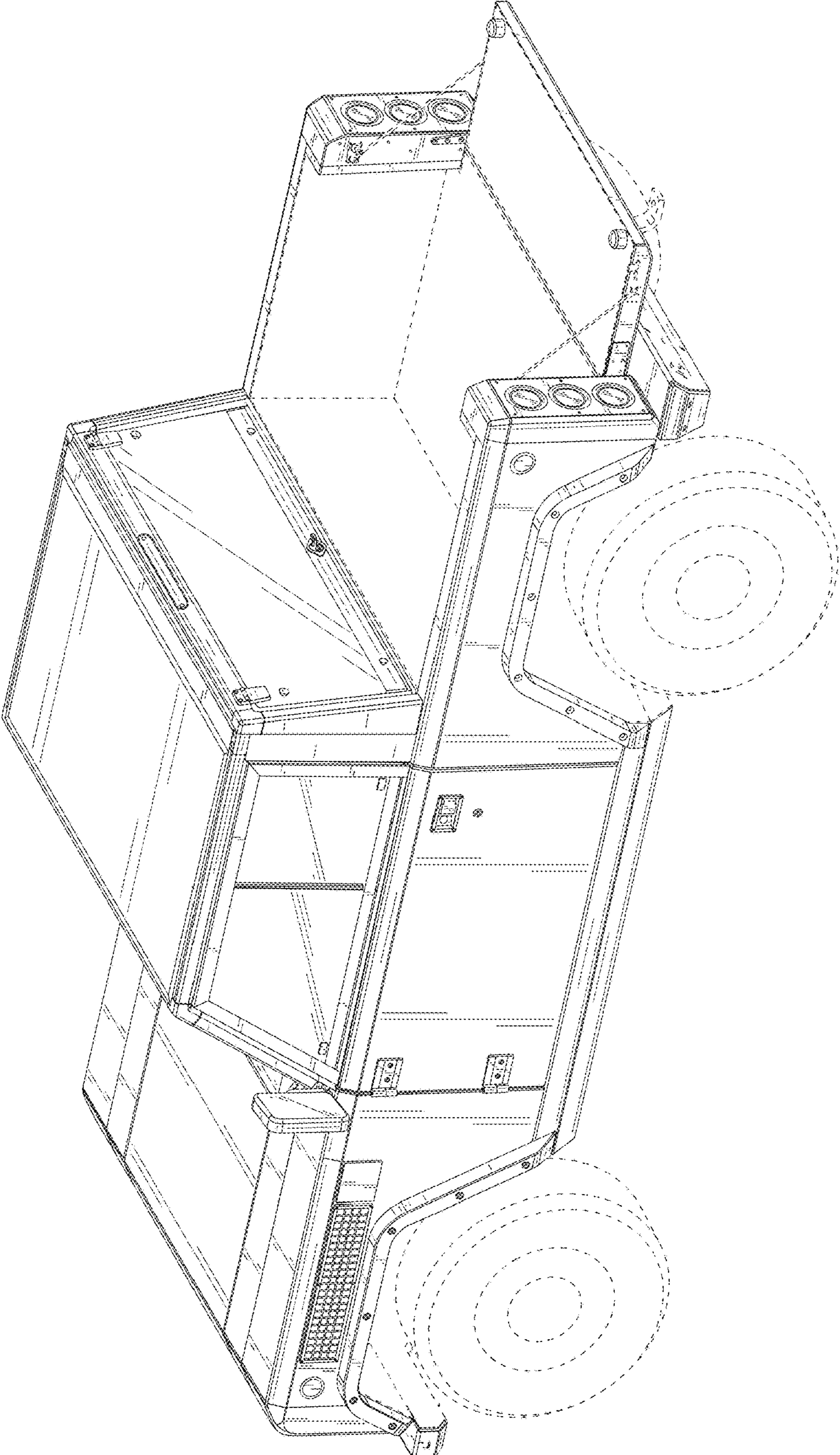


FIG. 1

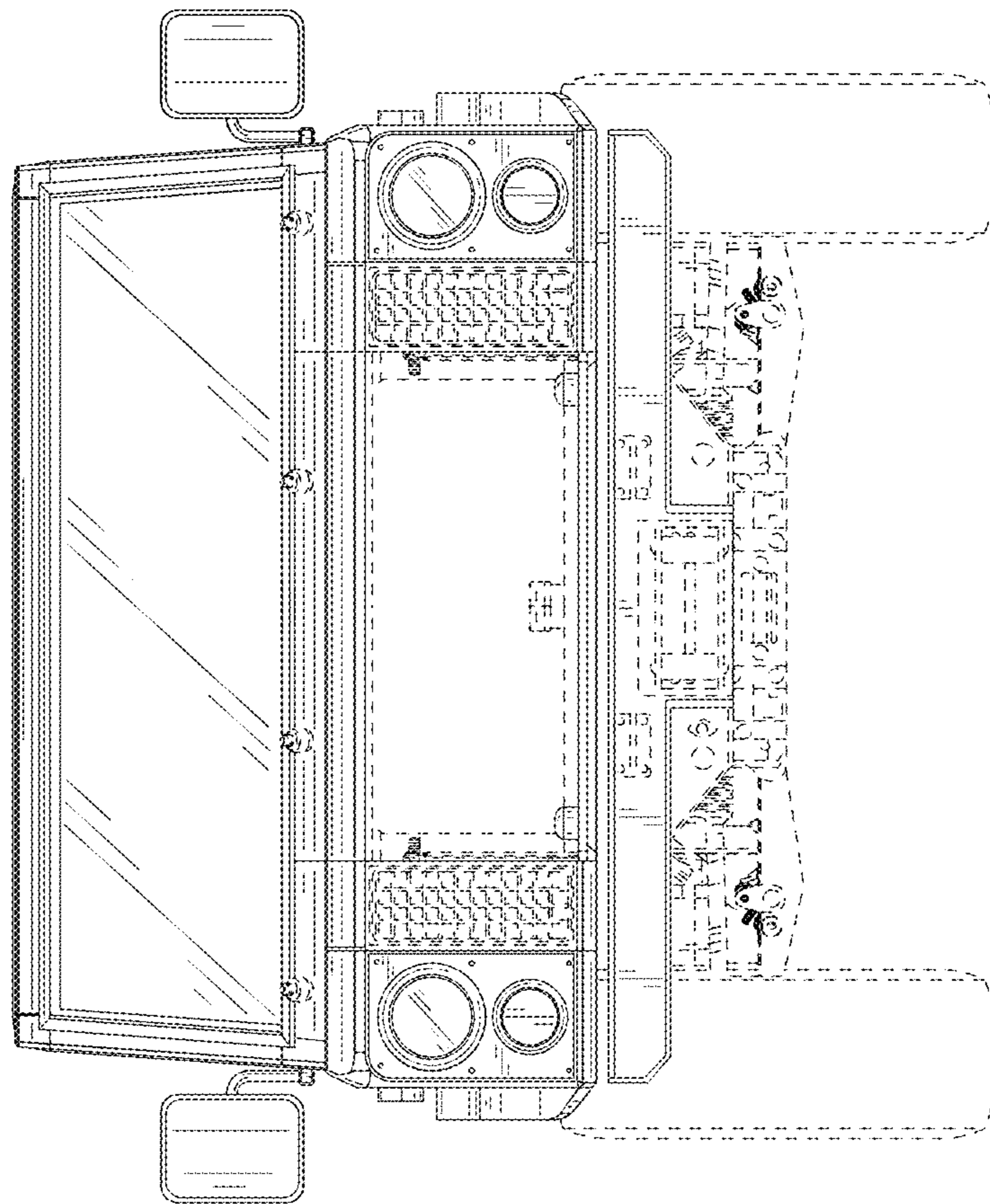


FIG. 2

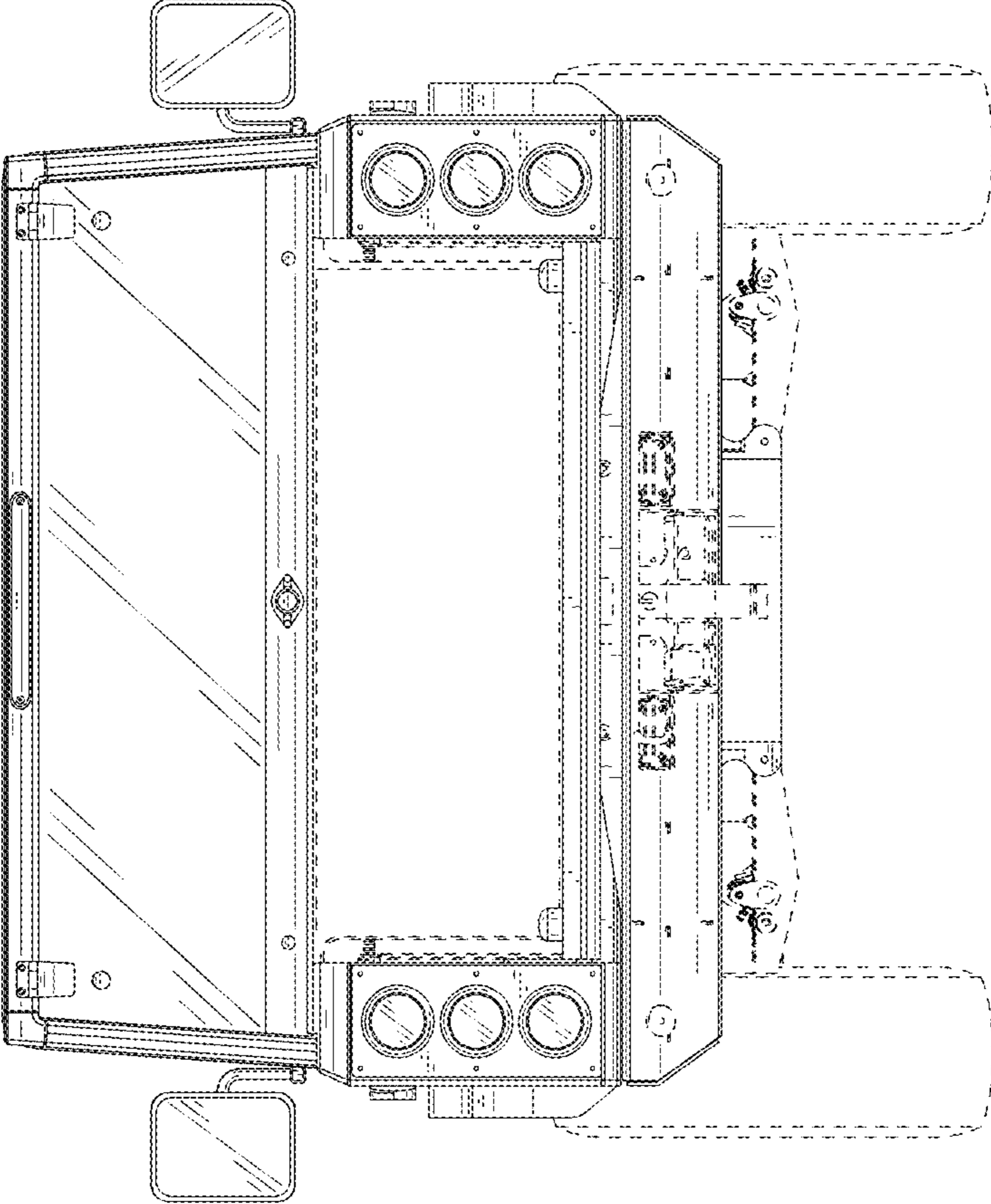


FIG. 3

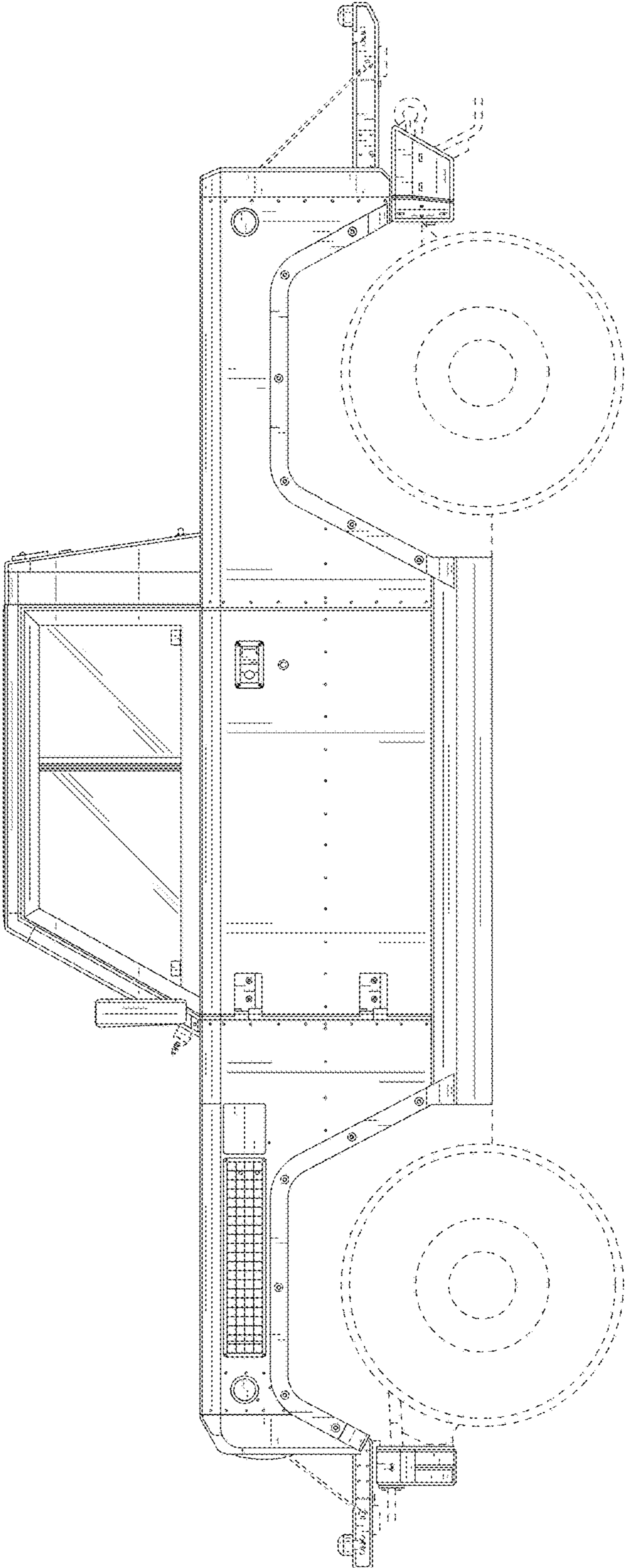


FIG. 4

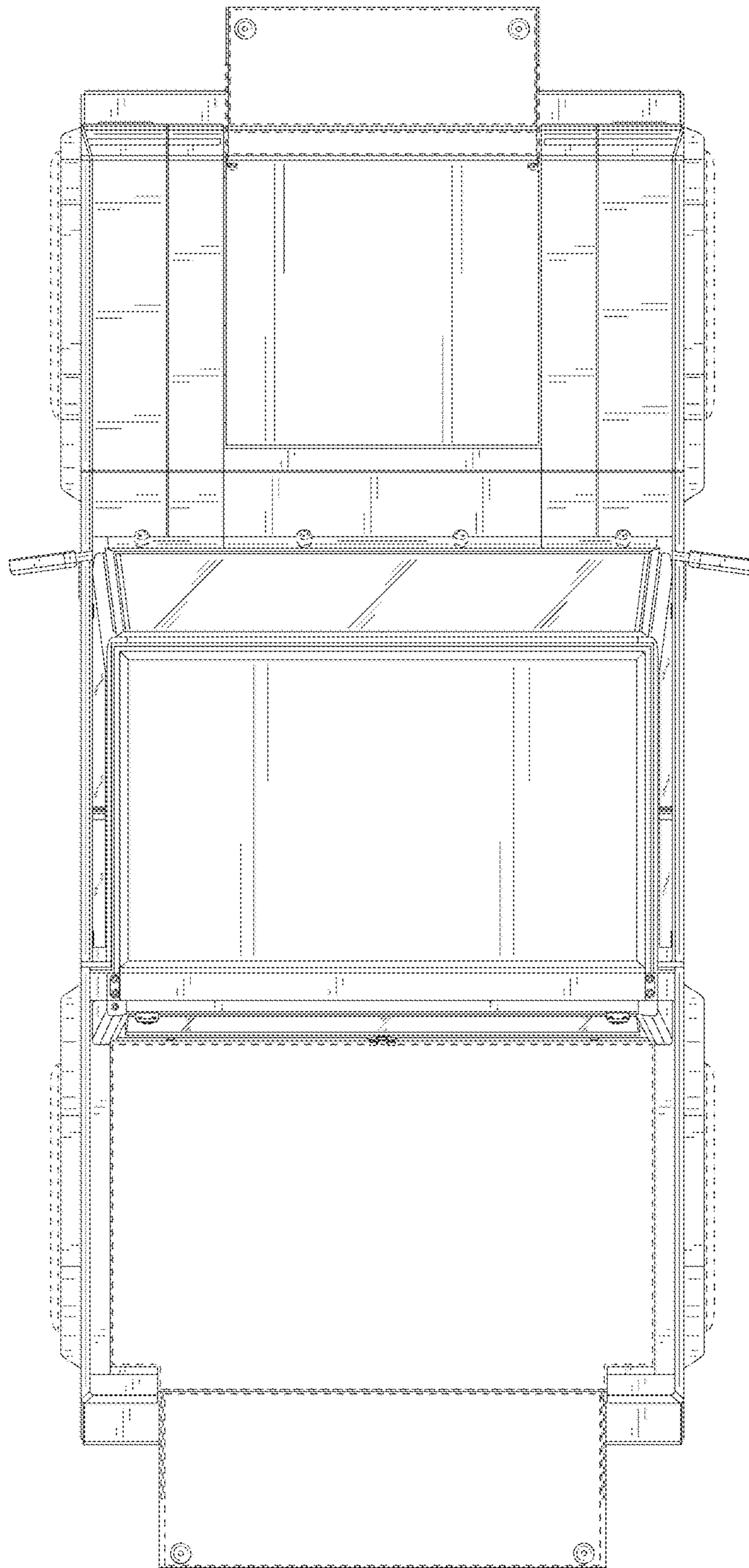


FIG. 5

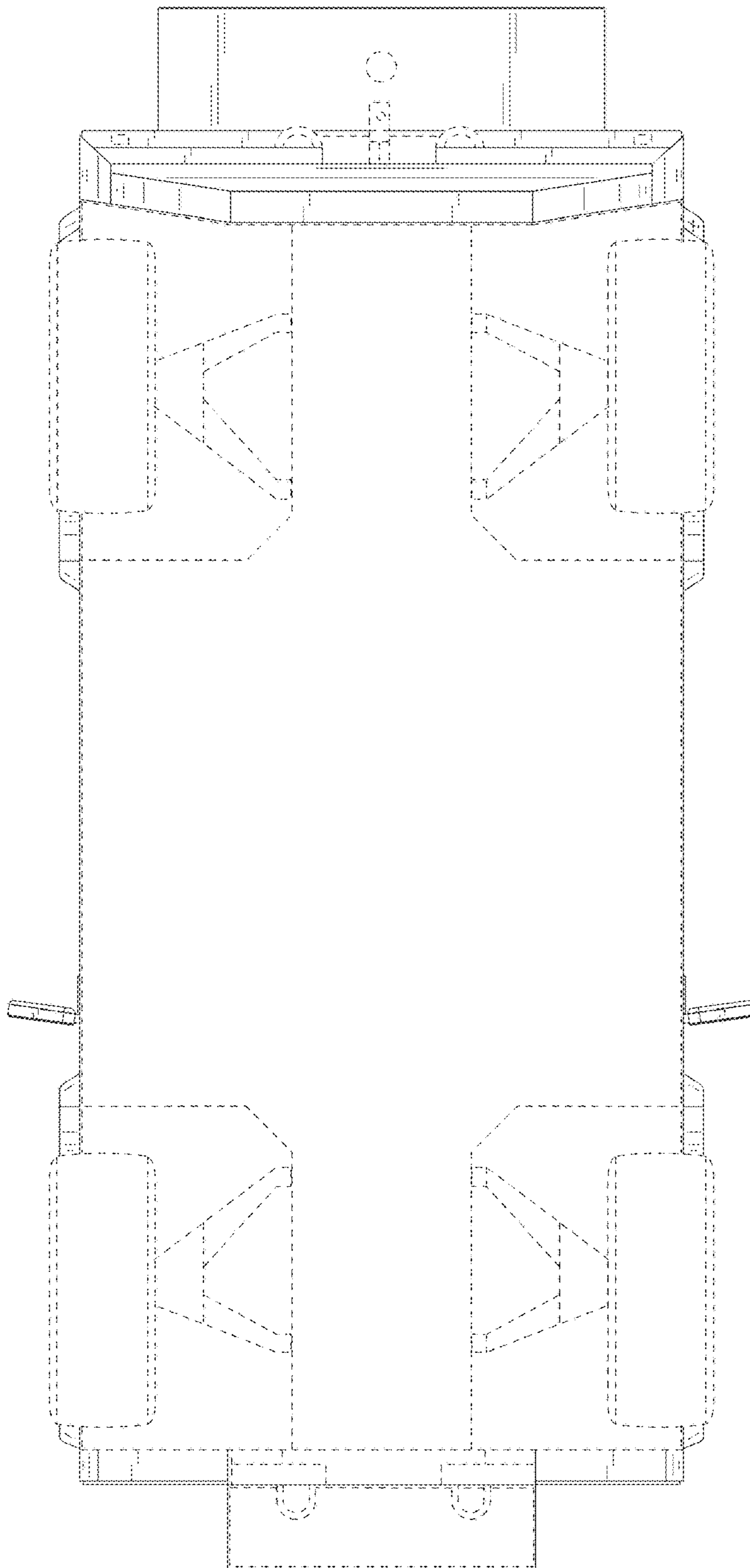


FIG. 6