



US00D836026S

(12) **United States Design Patent** (10) **Patent No.:** **US D836,026 S**
Renner (45) **Date of Patent:** **** Dec. 18, 2018**

(54) **VEHICLE AND/OR REPLICA**
(71) Applicant: **HONDA MOTOR CO., LTD.**,
Minato-ku, Tokyo (JP)
(72) Inventor: **Nicholas Bradley Renner**, Laguna
Hills, CA (US)
(73) Assignee: **HONDA MOTOR CO., LTD.**, Tokyo
(JP)
(**) Term: **15 Years**
(21) Appl. No.: **29/589,740**
(22) Filed: **Jan. 4, 2017**
(51) **LOC (11) Cl.** **12-08**
(52) **U.S. Cl.**
USPC **D12/86**
(58) **Field of Classification Search**
USPC D12/86, 90-92, 88; D21/421, 433, 434;
296/181.1, 181.5
CPC B62D 35/00; B62D 25/00; B62D 25/06;
B62D 33/00
See application file for complete search history.

D668,581 S * 10/2012 Kim D12/86
D719,062 S * 12/2014 Wada D12/86
D786,133 S * 5/2017 Song D12/86
D789,250 S * 6/2017 Arnold D12/86
D794,508 S * 8/2017 Watanuki D12/86

* cited by examiner

Primary Examiner — Melody N Brown

(74) *Attorney, Agent, or Firm* — Arent Fox LLP

(57) **CLAIM**

The ornamental design for a vehicle and/or replica, as shown and described.

DESCRIPTION

FIG. 1 is a front perspective view of a vehicle and/or replica showing my new design;
FIG. 2 is a rear perspective view thereof;
FIG. 3 is a right side view thereof, the left side view being a mirror image thereof;
FIG. 4 is a front view thereof;
FIG. 5 is a rear view thereof;
FIG. 6 is a bottom view thereof; and,
FIG. 7 is a top view thereof.

(56) **References Cited**

U.S. PATENT DOCUMENTS

D590,299 S * 4/2009 Bischoff D12/91
D619,931 S * 7/2010 Arnell D12/86

1 Claim, 7 Drawing Sheets

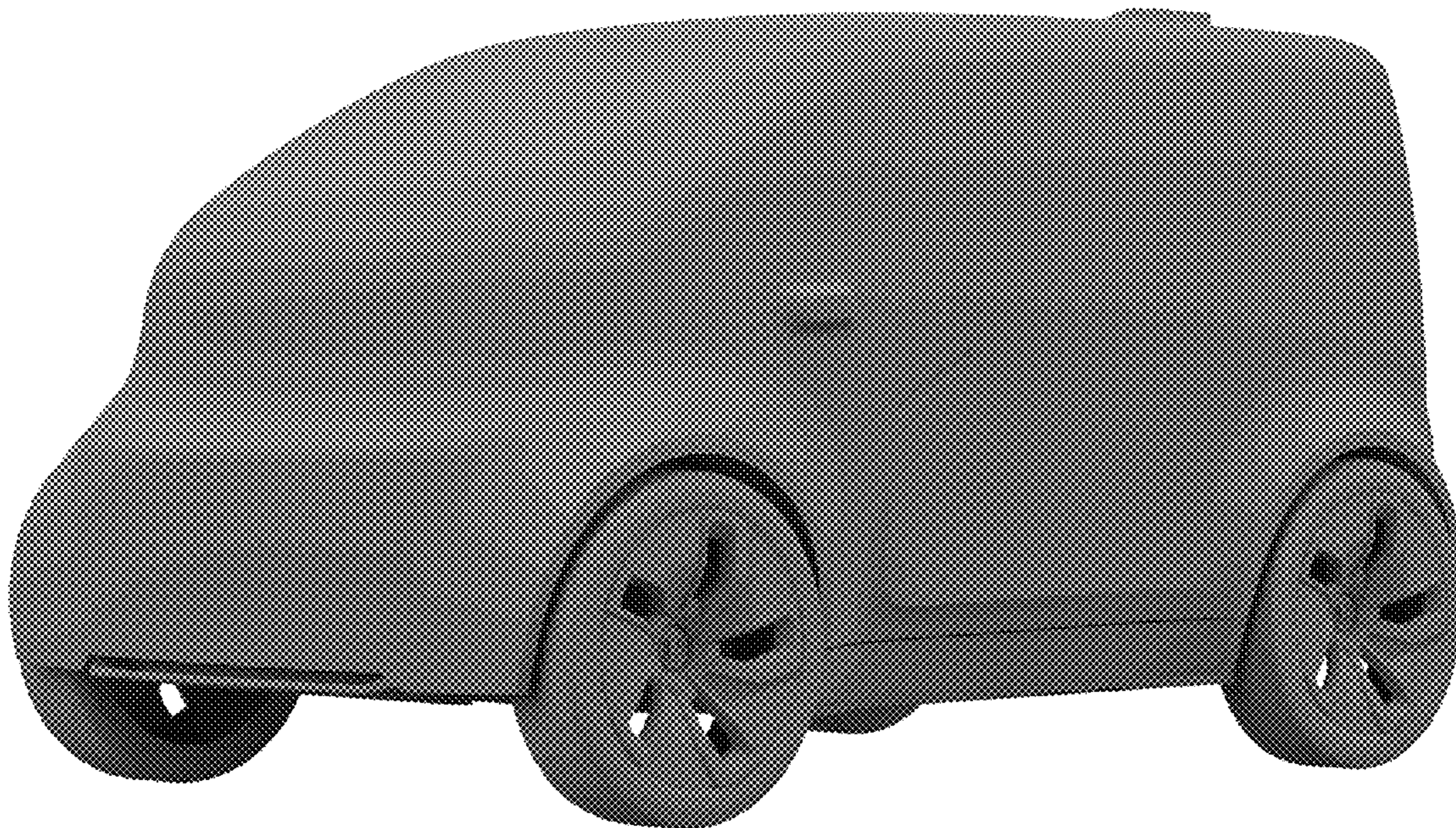


FIG. 1

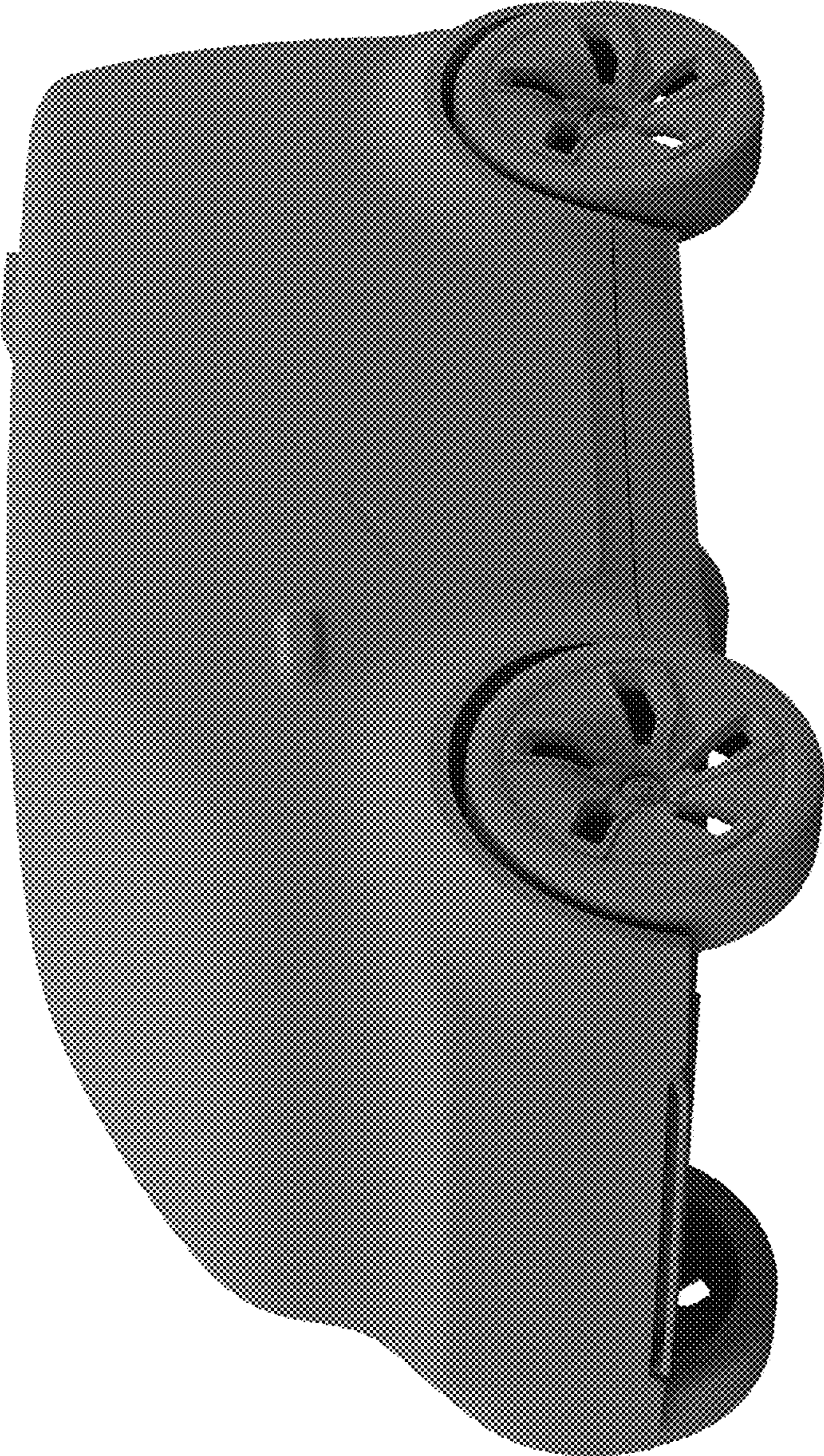


FIG. 2



FIG. 3

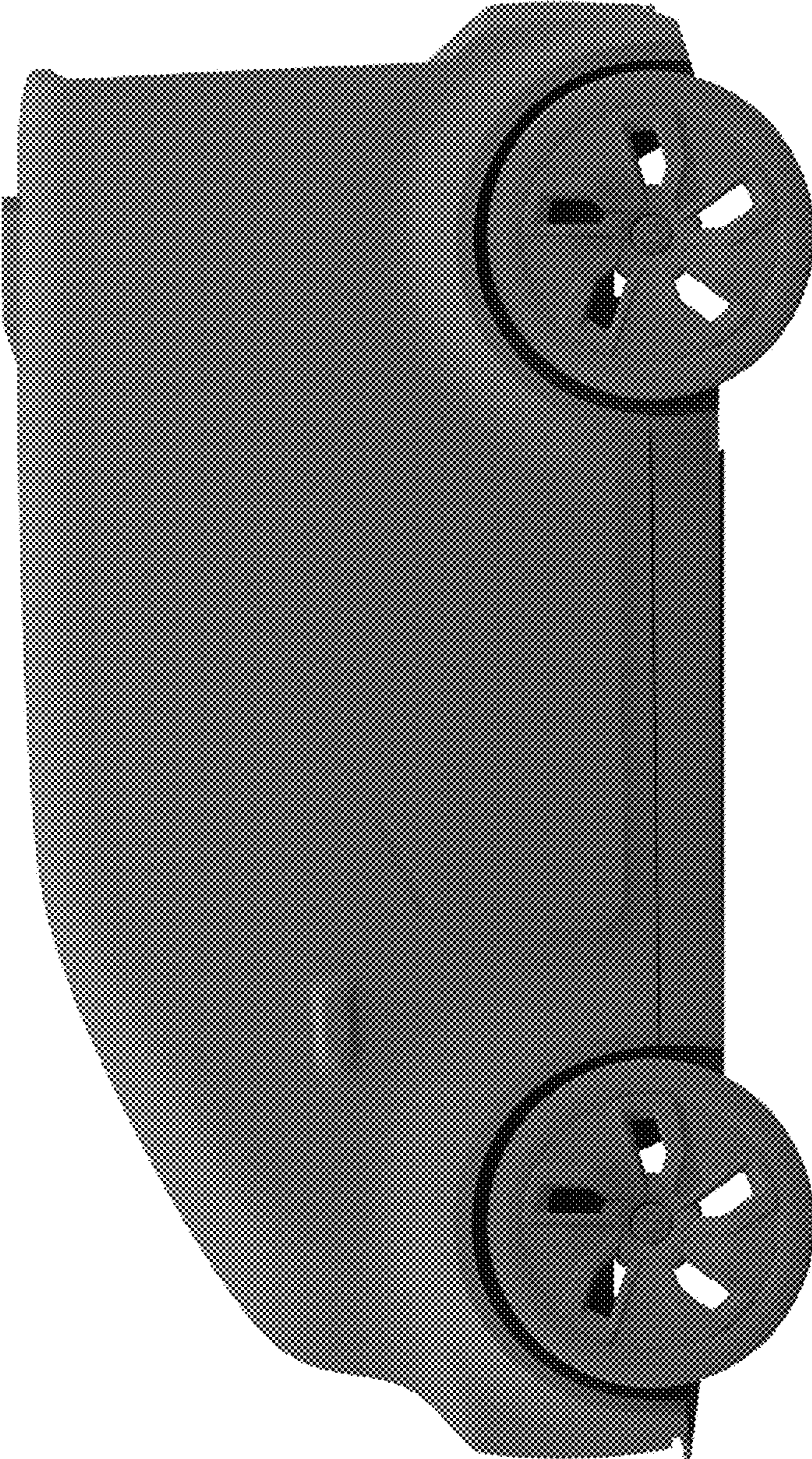


FIG. 4

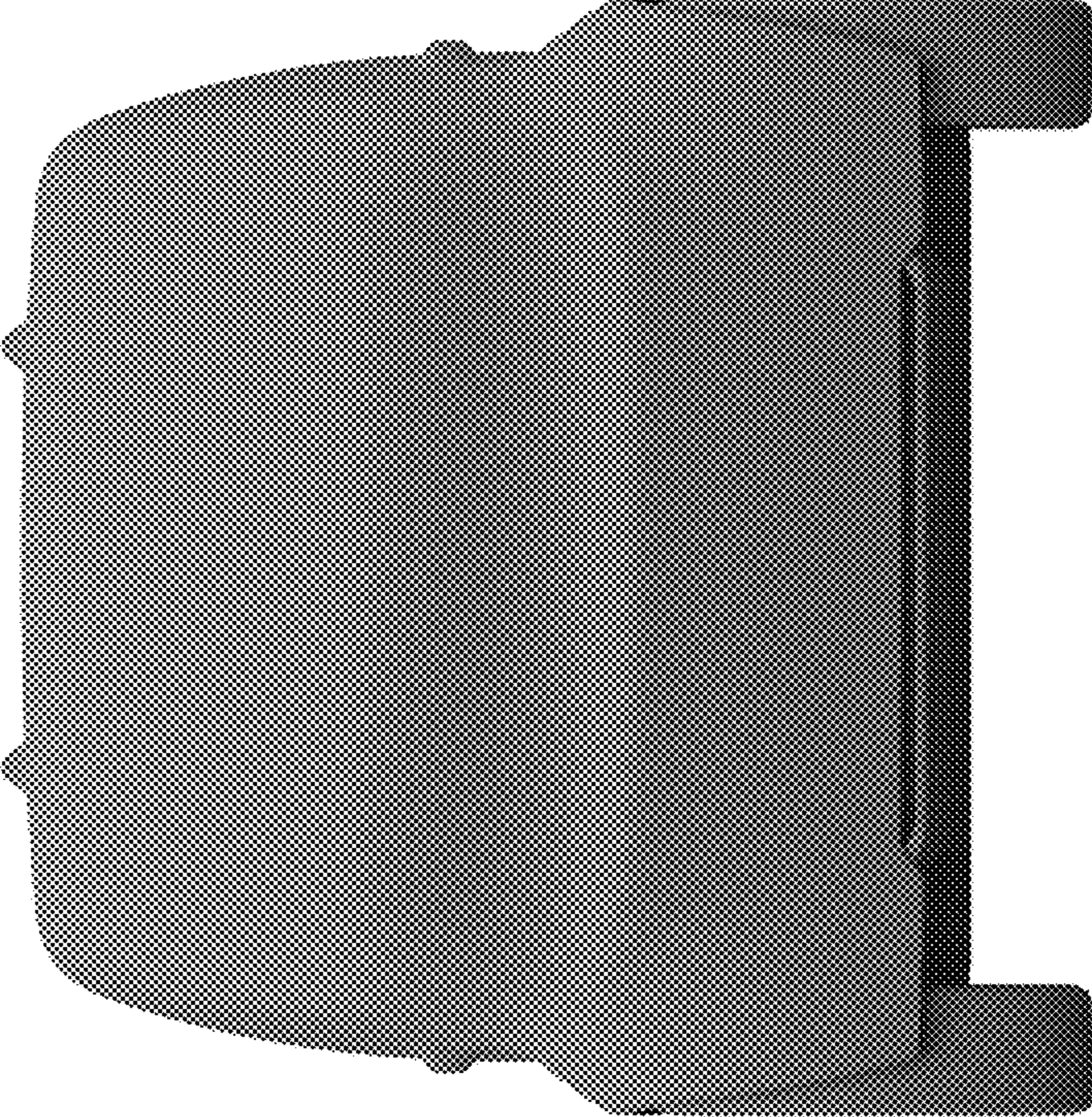


FIG. 5

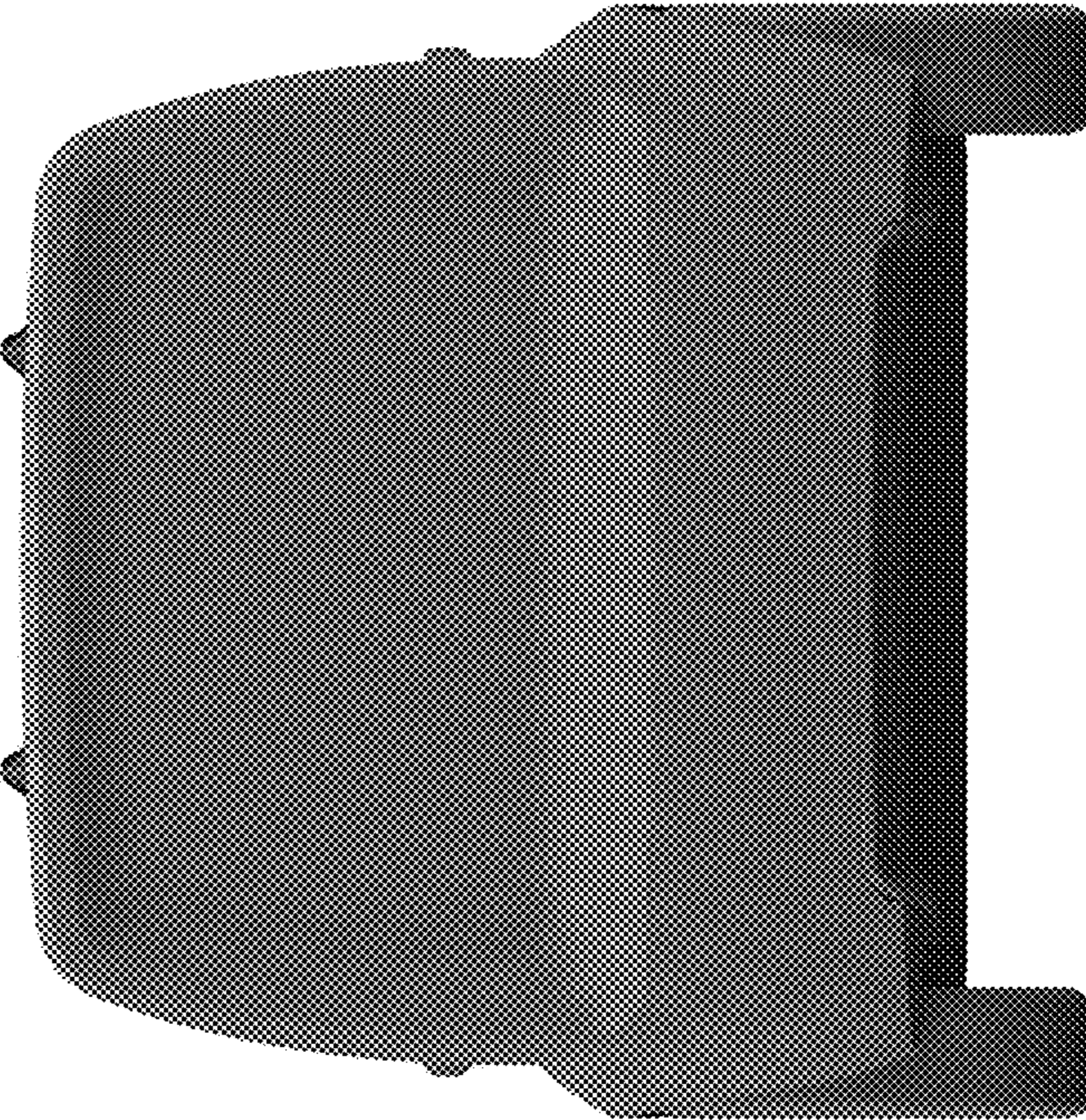


FIG. 6

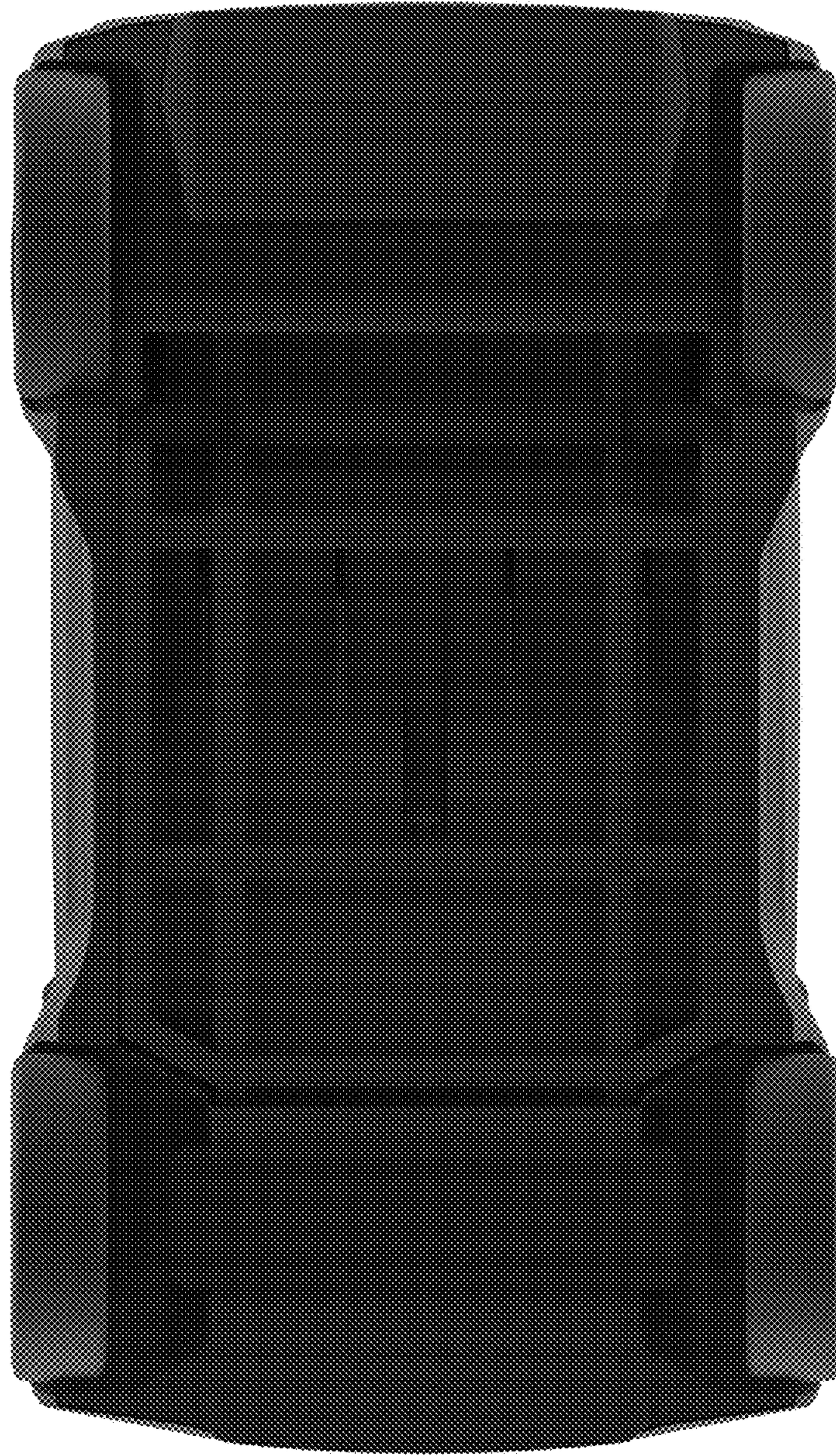


FIG. 7

