



US00D836022S

(12) **United States Design Patent** (10) **Patent No.:** **US D836,022 S**
Morris (45) **Date of Patent:** **** Dec. 18, 2018**

(54) **LEVITATED POLYHEDRON** 8,823,479 B2 * 9/2014 Wang H02N 15/00
335/296
(71) Applicant: **FLYTE LLC**, Beckenham, Kent (GB) 8,947,356 B2 * 2/2015 Kurata G06F 3/0346
345/156
(72) Inventor: **Simon Morris**, New York, NY (US) D772,989 S * 11/2016 Fjelstad D21/385
D799,100 S * 10/2017 Morris D26/110
(**) Term: **15 Years** 2013/0258697 A1 * 10/2013 Suzuki F21S 43/31
362/517

(21) Appl. No.: **29/585,222**
(22) Filed: **Nov. 22, 2016**
(51) **LOC (11) Cl.** **11-02**
(52) **U.S. Cl.**
USPC **D11/131**
(58) **Field of Classification Search**
USPC D11/131, 141-144, 157, 184; D21/398,
D21/404, 465-467; D19/95-97;
428/542.2, 542.4, 900; 446/129, 131,
446/133, 137, 139, 140; 40/426, 427
CPC H02N 15/00; A63H 33/26; G09F 19/02;
G09F 19/12; G09F 1/06; H01F 7/0236
See application file for complete search history.

(56) **References Cited**

U.S. PATENT DOCUMENTS

D262,804 S * 1/1982 Gleason D11/90
4,901,456 A * 2/1990 Cotutsca G09F 19/02
40/427
D325,960 S * 5/1992 Paul D23/254
D368,443 S * 4/1996 Shryock D11/143
D369,128 S * 4/1996 Shryock D11/143
D374,640 S * 10/1996 Shryock D11/143
5,918,881 A * 7/1999 Kirby A63F 9/0415
273/146
5,937,553 A * 8/1999 Maran G09F 1/06
40/124.08
6,739,938 B2 * 5/2004 Dokoupil A63H 33/26
446/129
D501,694 S * 2/2005 Cannon D11/90
D632,027 S * 2/2011 Johnston D30/121
D681,502 S * 5/2013 Chester D11/142

OTHER PUBLICATIONS

LYFE—Set your plants free (via kickstarter), available Jun. 1, 2016, [online], [site visited Jul. 19, 2018]. Available from internet, <URL: <https://www.kickstarter.com/projects/flyte/lyfe-set-your-plants-free> (Year: 2016).*

(Continued)

Primary Examiner — Cathron C Brooks
Assistant Examiner — W. A. Teddy Falloway
(74) *Attorney, Agent, or Firm* — Lewis Brisbois Bisgaard & Smith LLP; Nigamnarayan Acharya

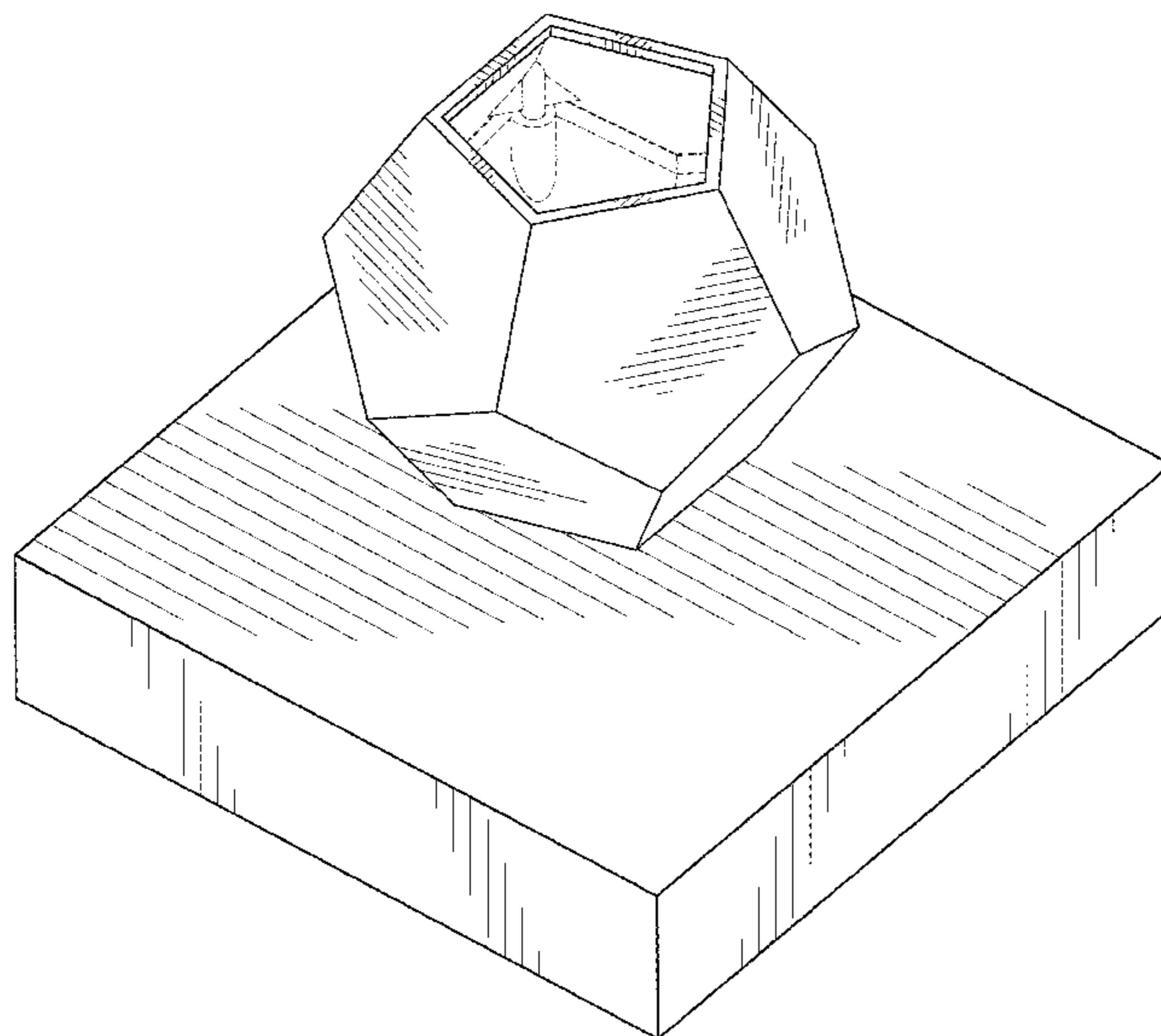
(57) **CLAIM**

The ornamental design for a levitated polyhedron, as shown and described.

DESCRIPTION

FIG. 1 is a front perspective of a levitated polyhedron; FIG. 2 is a rear perspective view thereof; FIG. 3 is a bottom perspective view thereof; FIG. 4 is a top view thereof; FIG. 5 is a bottom view thereof; FIG. 6 is a left side view thereof; FIG. 7 is a right side view thereof; and, FIG. 8 is a side view thereof, showing the polyhedron rotated 45 degrees. The broken lines illustrate portions of the levitated polyhedron that form no part of the claimed design.

1 Claim, 8 Drawing Sheets



(56)

References Cited

OTHER PUBLICATIONS

Levitating Magnetic Floating Air Bonsai Pot (via amazon), available Jun. 23, 2018, [online], [site visited Jul. 19, 2018]. Available from internet, <URL: https://www.amazon.com/dp/B07BBWT7WX/ref=sspa_dk_detail_0?psc=1&pd_rd_i=B07BBWT7WX&pd_rd_wg=JURZ0&pd_rd_r=MMV38WH2NXS534MPS2ZY&pd_rd_w=QUnyj> (Year: 2018).*

FLYTE Royal—Original, Authentic Floating Levitating LED Light Bulb (via amazon), available Dec. 7, 2016, [online], [site visited Jul. 7, 2018]. Available from internet, <URL: https://www.amazon.com/dp/B01M30CWSX/ref=psdc_1063296_t1_B07BM91QMN> (Year: 2016).*

Hoshinchi Air Bonsai Garden Defies Gravity (via designmilk), available Jan. 29, 2016, [online], [site visited Jul. 19, 2018]. Available from internet, <URL: <https://design-milk.com/hoshinchi-air-bonsai-garden-defies-gravity/>> (Year: 2016).*

* cited by examiner

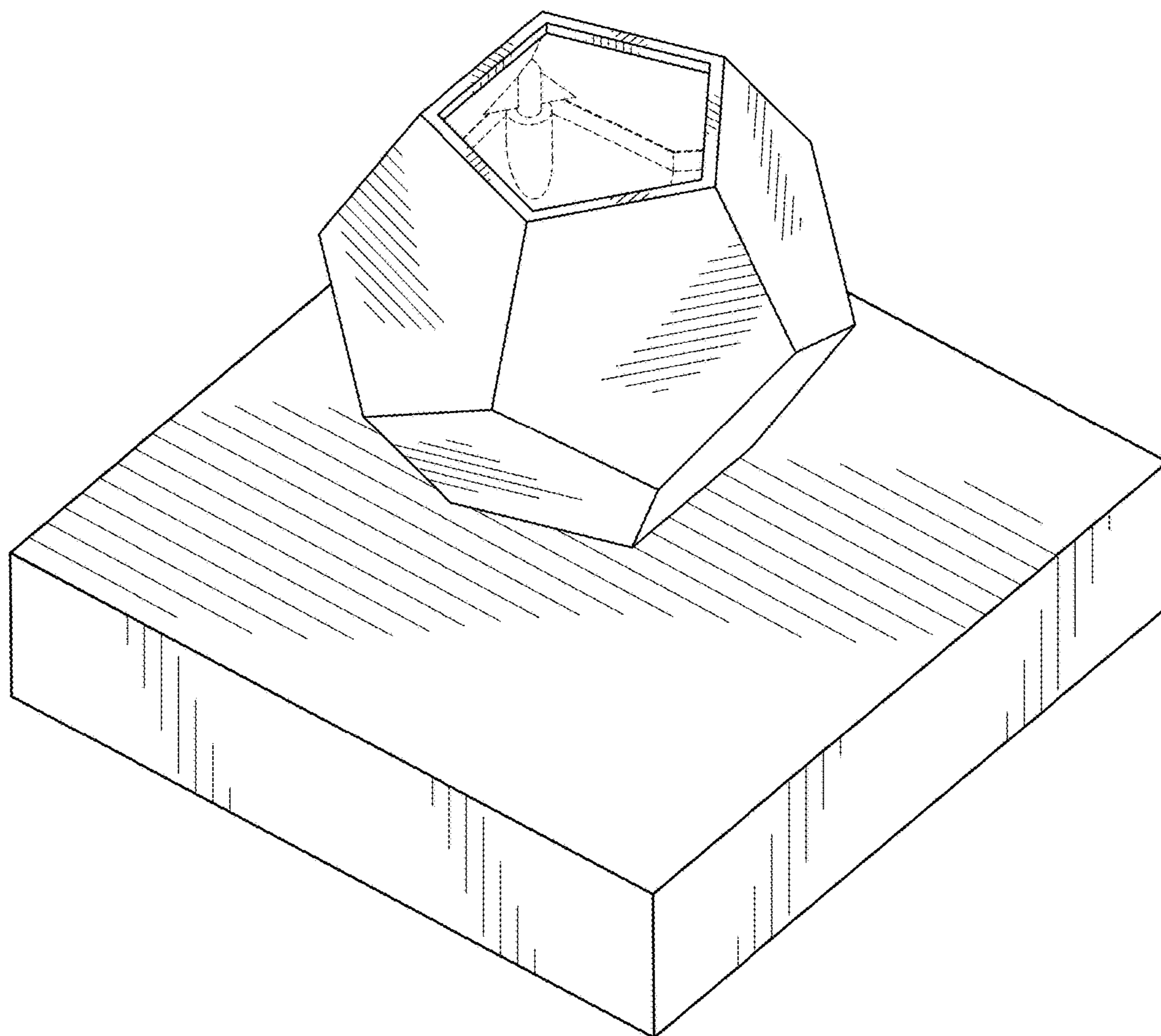


FIG. 1

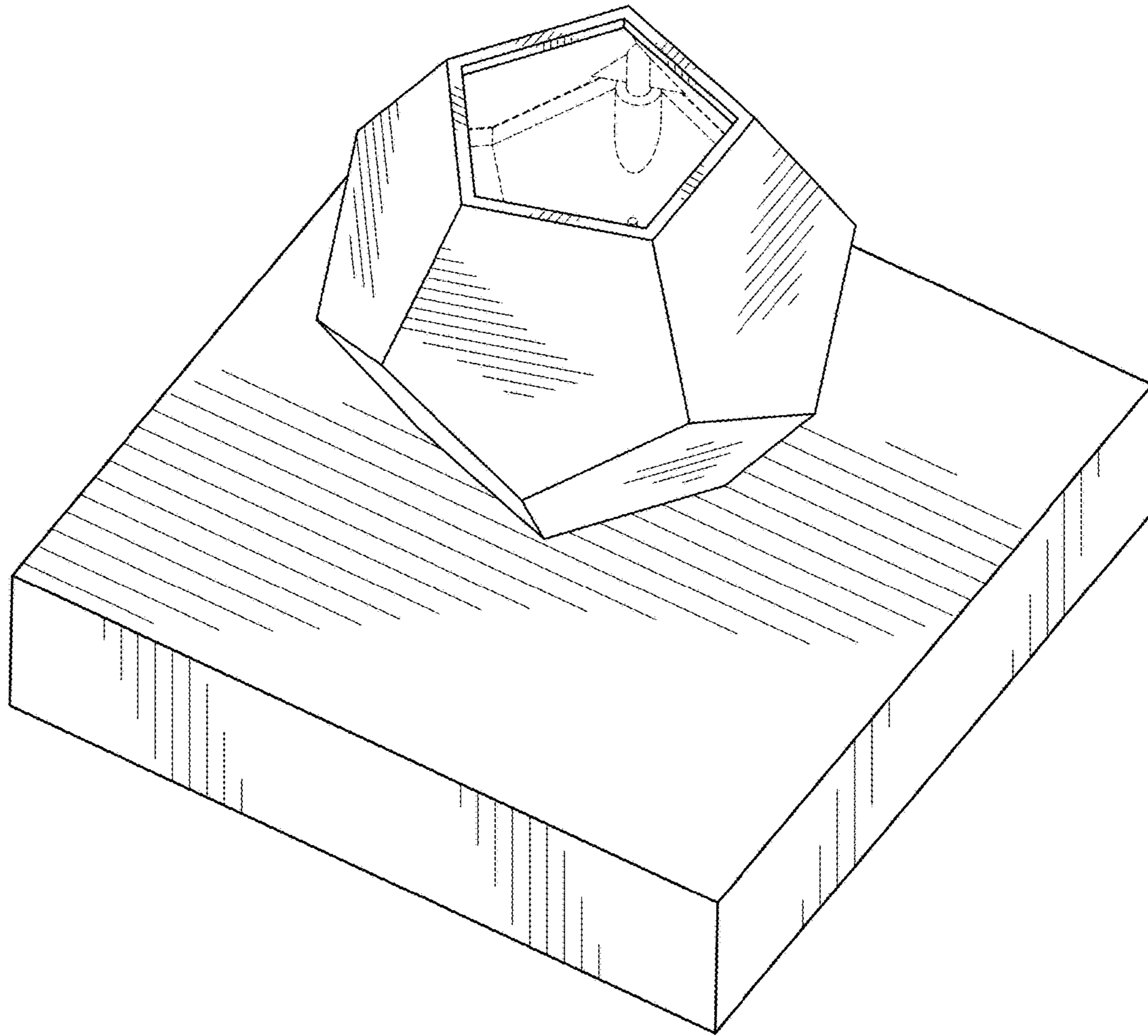


FIG. 2

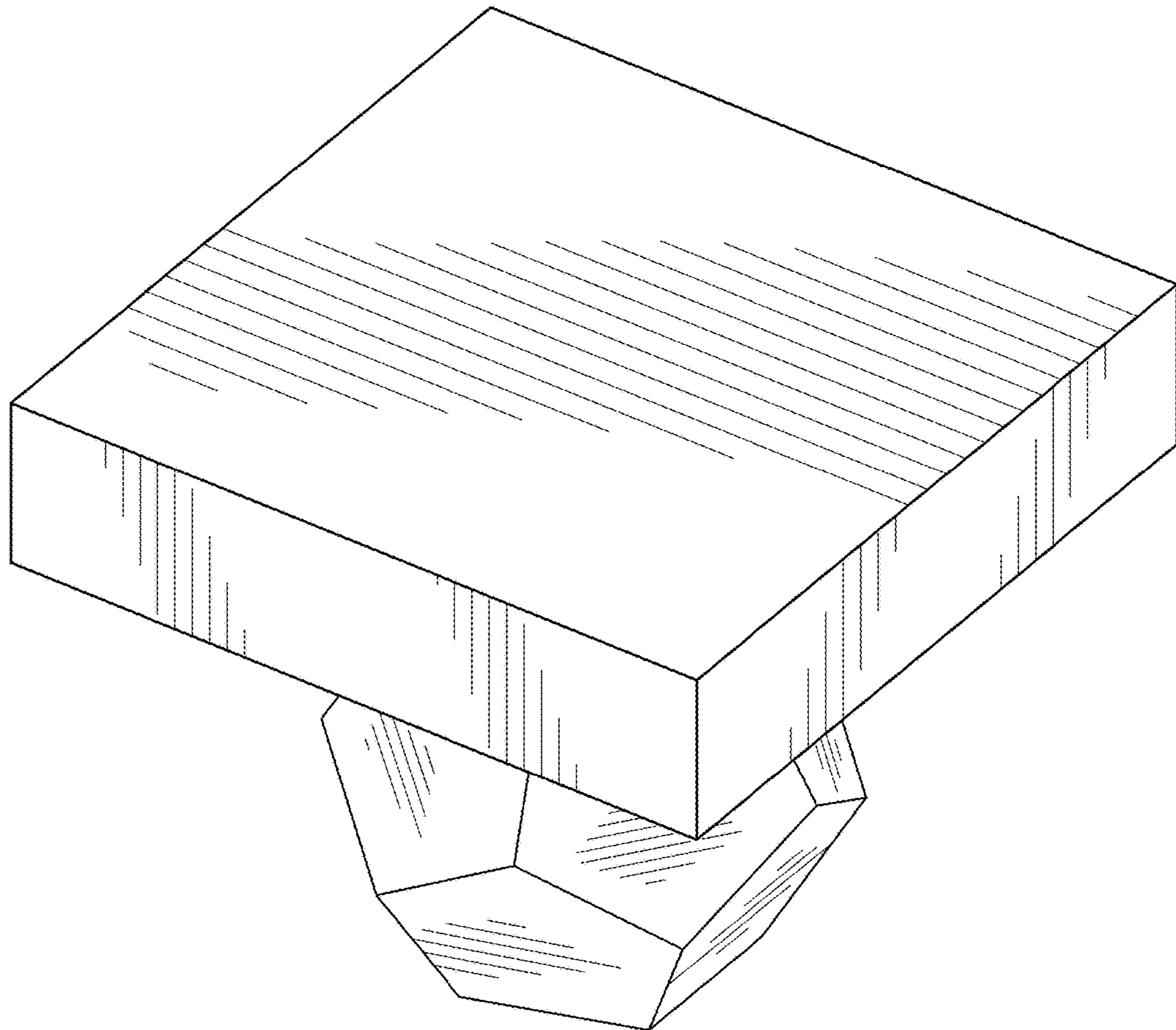


FIG. 3

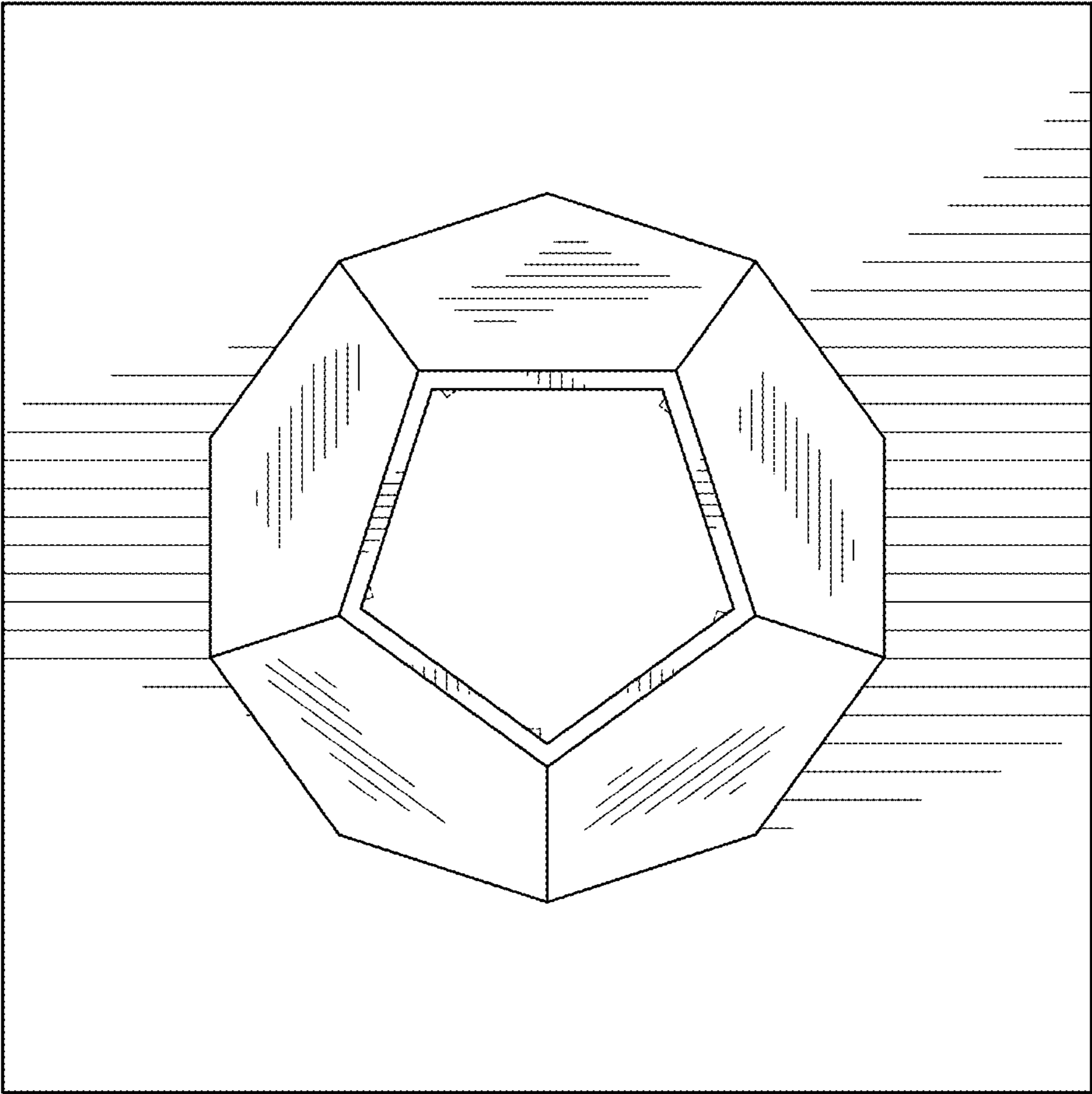


FIG. 4

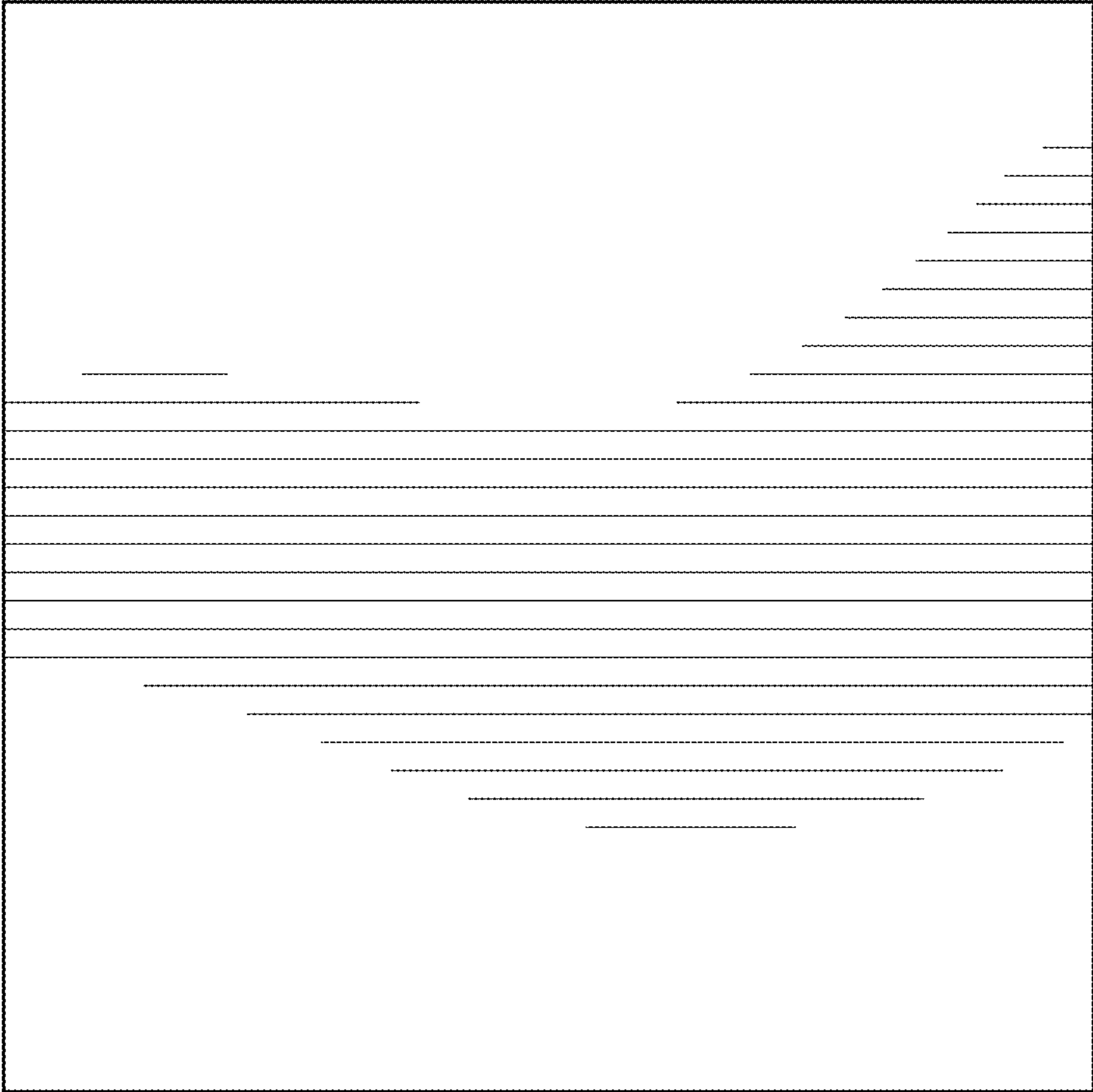


FIG. 5

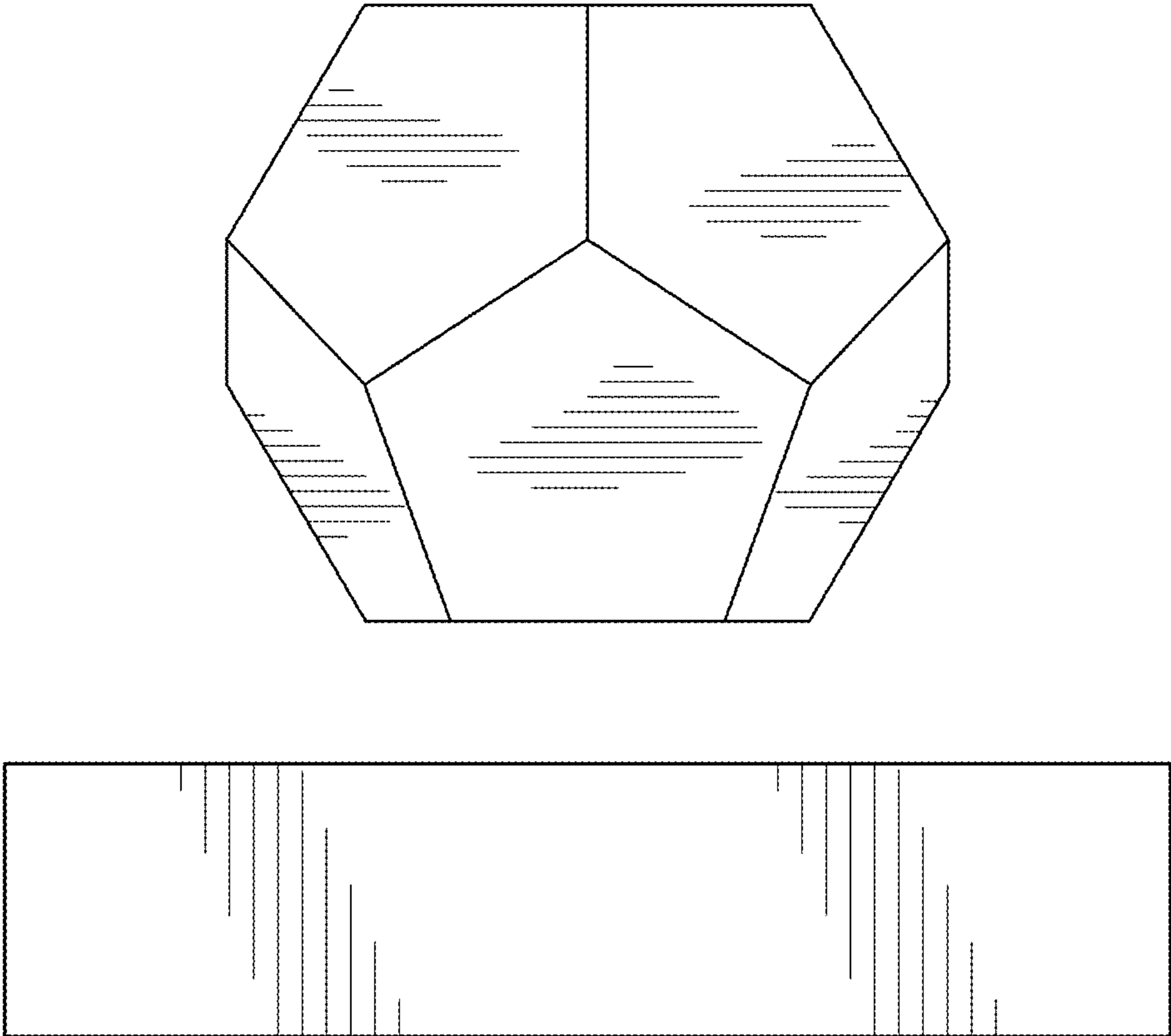


FIG. 6

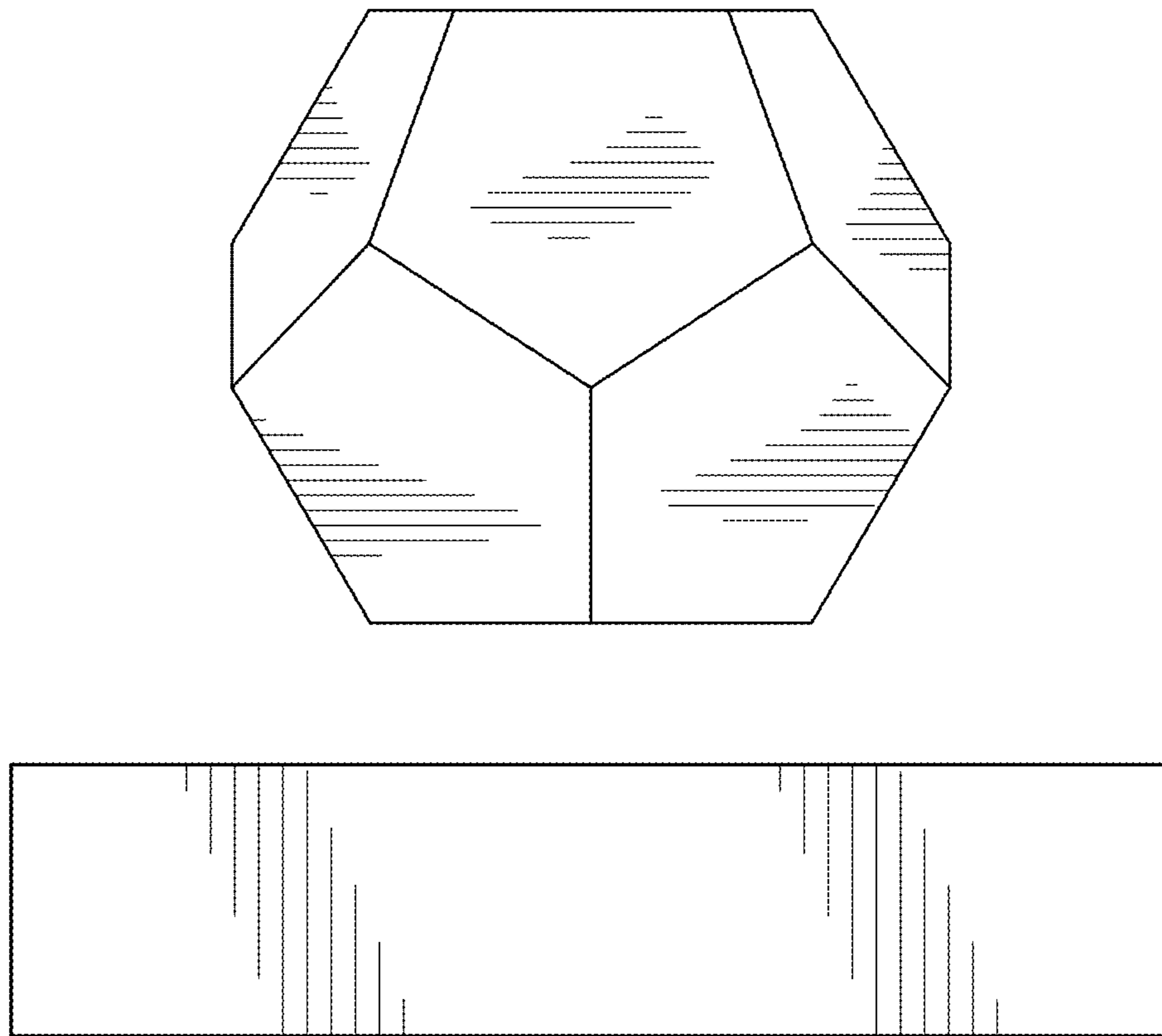


FIG. 7

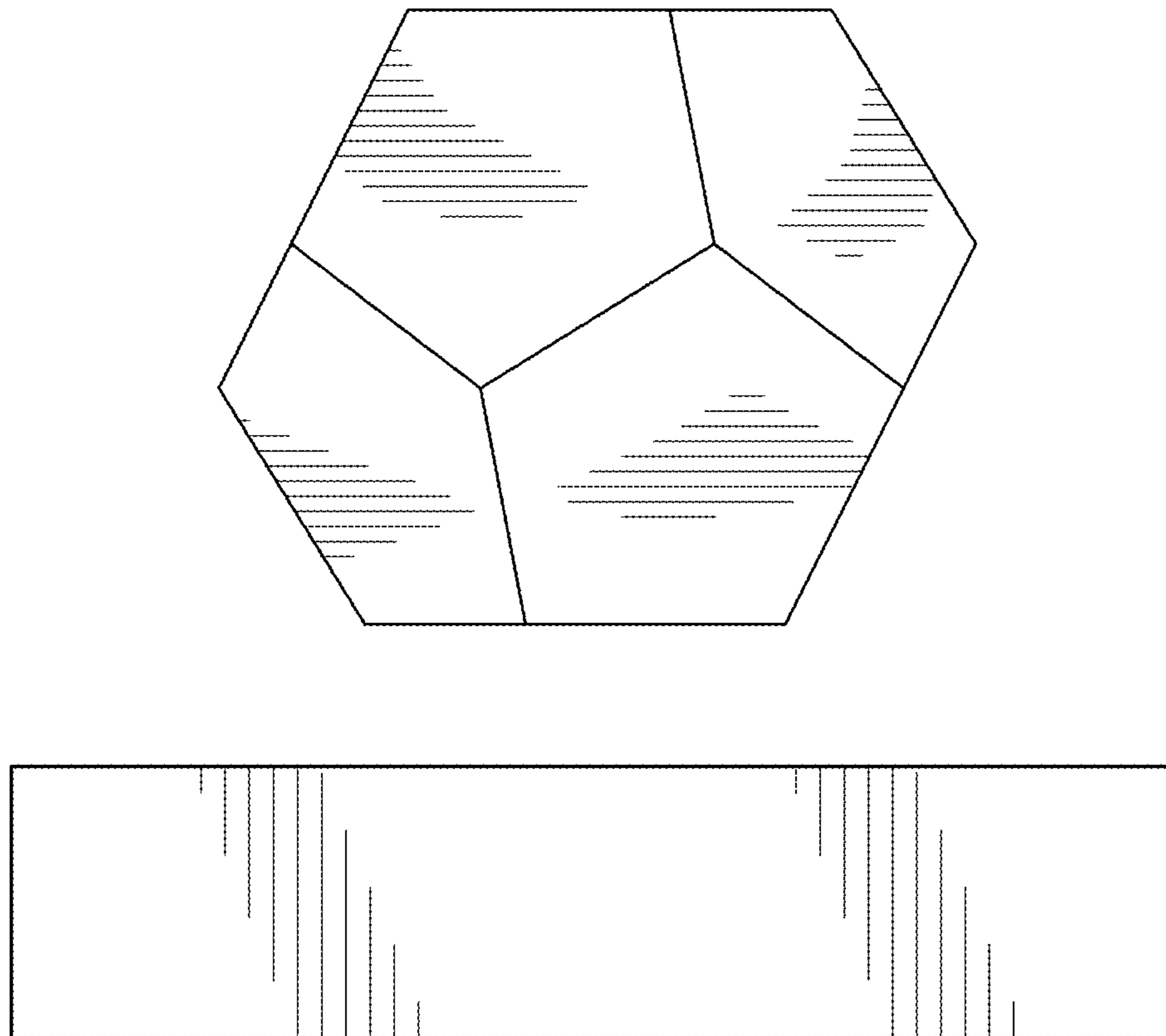


FIG. 8