



US00D836017S

(12) **United States Design Patent** (10) **Patent No.:** **US D836,017 S**
Leal (45) **Date of Patent:** **** Dec. 18, 2018**

(54) **RING**
(71) Applicant: **CARTIER INTERNATIONAL AG,**
Steinhausen (CH)
(72) Inventor: **Sofia Magallanes Leal,** Paris (FR)
(73) Assignee: **CARTIER INTERNATIONAL AG,**
Steinhausen (CH)
(**) Term: **15 Years**
(21) Appl. No.: **29/633,249**
(22) Filed: **Jan. 12, 2018**
(51) **LOC (11) Cl.** **11-01**
(52) **U.S. Cl.**
USPC **D11/28**
(58) **Field of Classification Search**
USPC D11/1, 2, 3, 4, 5, 26-39, 91, 92, 66, 67,
D11/68
CPC A44C 5/00; A44C 5/0007; A44C 5/0015;
A44C 5/003; A44C 5/053; A44C 9/00;
A44C 9/0007; A44C 9/001; A44C
9/0023; A44C 9/003; A44C 9/0038; A44C
9/0046; A44C 9/0053; A44C 9/0061;
A44C 9/0069; A44C 9/0076; A44C
9/0092; A44C 17/0258; A44C 17/0266;
A44C 17/0275; A44C 17/0283; A44C
17/02; A44C 17/0208; A44C 17/0216;
A44C 17/0225; A44C 17/0233; A44C
17/0241; A44C 17/025; A44C 17/0291
See application file for complete search history.

(56) **References Cited**
U.S. PATENT DOCUMENTS

D126,373 S * 4/1941 Braun 63/15
D254,300 S * 2/1980 Minassian D11/28
D254,537 S * 3/1980 Abelson 63/15.1

D538,697 S * 3/2007 Azrielant D11/28
D565,450 S * 4/2008 Lebail D11/27
D626,878 S * 11/2010 Hardy D11/79
D691,506 S * 10/2013 Hardy D11/27
D757,595 S * 5/2016 Hardy D11/79
D758,909 S * 6/2016 Young D11/26
D759,536 S * 6/2016 Hardy D11/79
D780,013 S * 2/2017 Silvestri D11/28
D780,021 S * 2/2017 Magallanes-Leal D11/34
D780,037 S * 2/2017 Magallanes-Leal D11/43
D791,007 S * 7/2017 Magallanes-Leal D11/35
D809,957 S * 2/2018 Magallanes-Leal D11/4
D809,961 S * 2/2018 Magallanes-Leal D11/43
D811,259 S * 2/2018 Magallanes-Leal D11/8
D811,925 S * 3/2018 Magallanes-Leal D11/7

OTHER PUBLICATIONS

[online] <https://bagaholicboy.com/2015/04/cartier-ss15-amulette-de-cartier-collection/>. Posted online Apr. 22, 2015. Retrieved Jul. 19, 2018.*

* cited by examiner

Primary Examiner — Melanie Pellegrini
(74) *Attorney, Agent, or Firm* — Oliff PLC

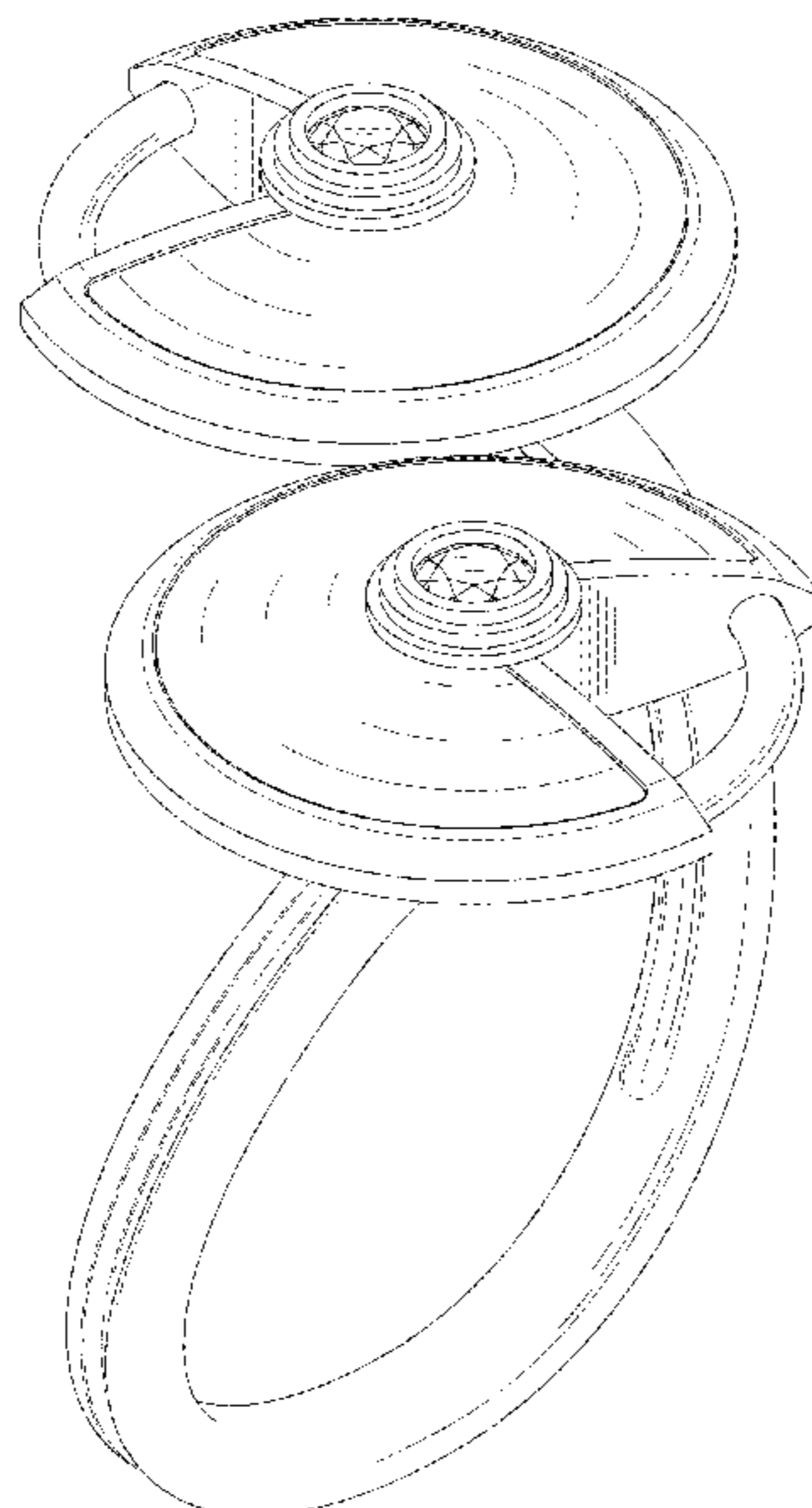
(57) **CLAIM**

The ornamental design for a ring, as shown and described.

DESCRIPTION

FIG. 1 is a front, left-side, top perspective view of a ring;
FIG. 2 is a front elevational view thereof;
FIG. 3 is a top plan view thereof;
FIG. 4 is a left-side elevational view thereof, the right-side
elevational view (not provided) being identical thereto;
FIG. 5 is a bottom plan view thereof;
FIG. 6 is a front, right-side, top perspective view thereof;
and,
FIG. 7 is a front, right-side, bottom perspective view thereof.

1 Claim, 7 Drawing Sheets



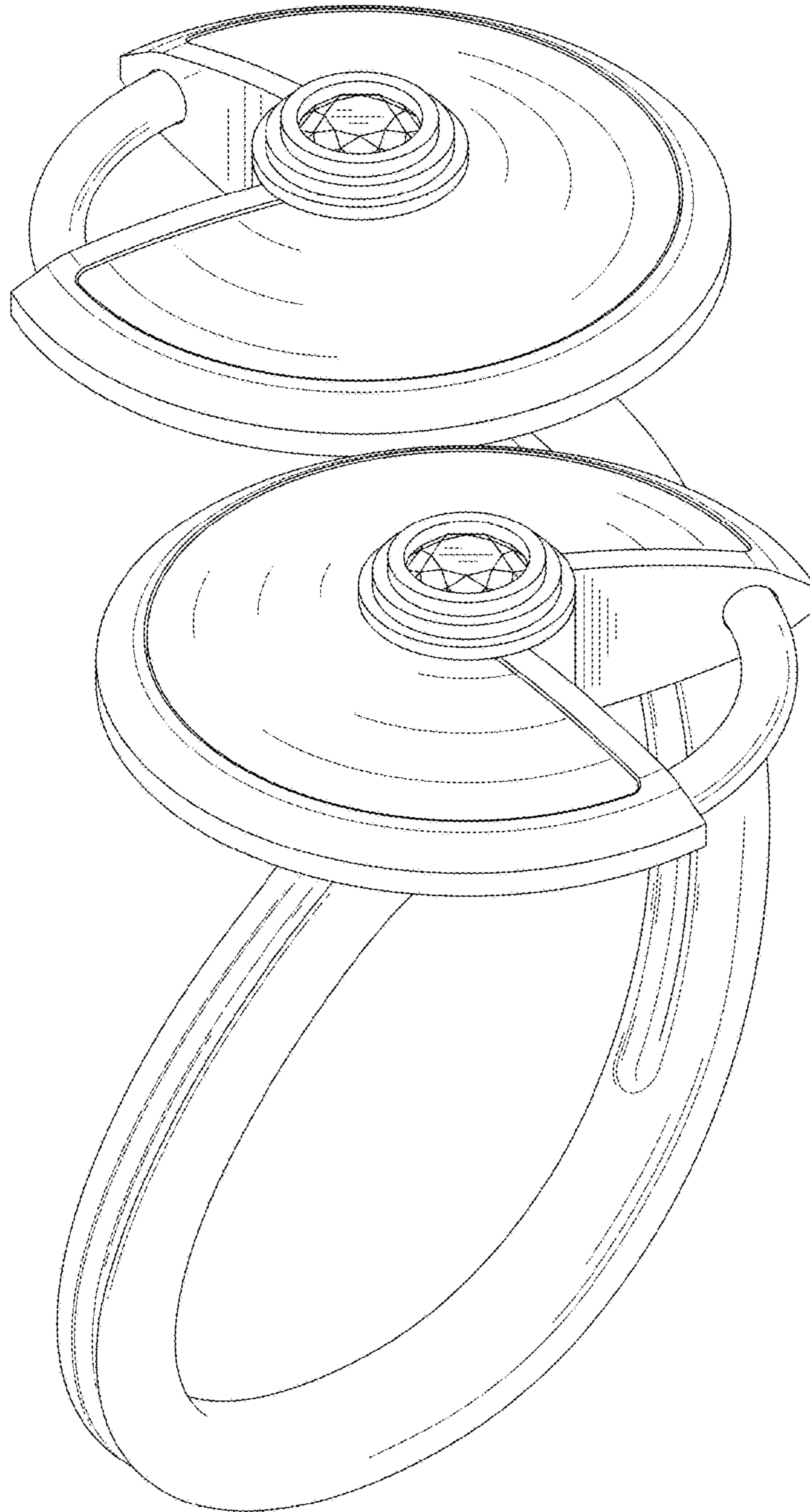


FIG. 1

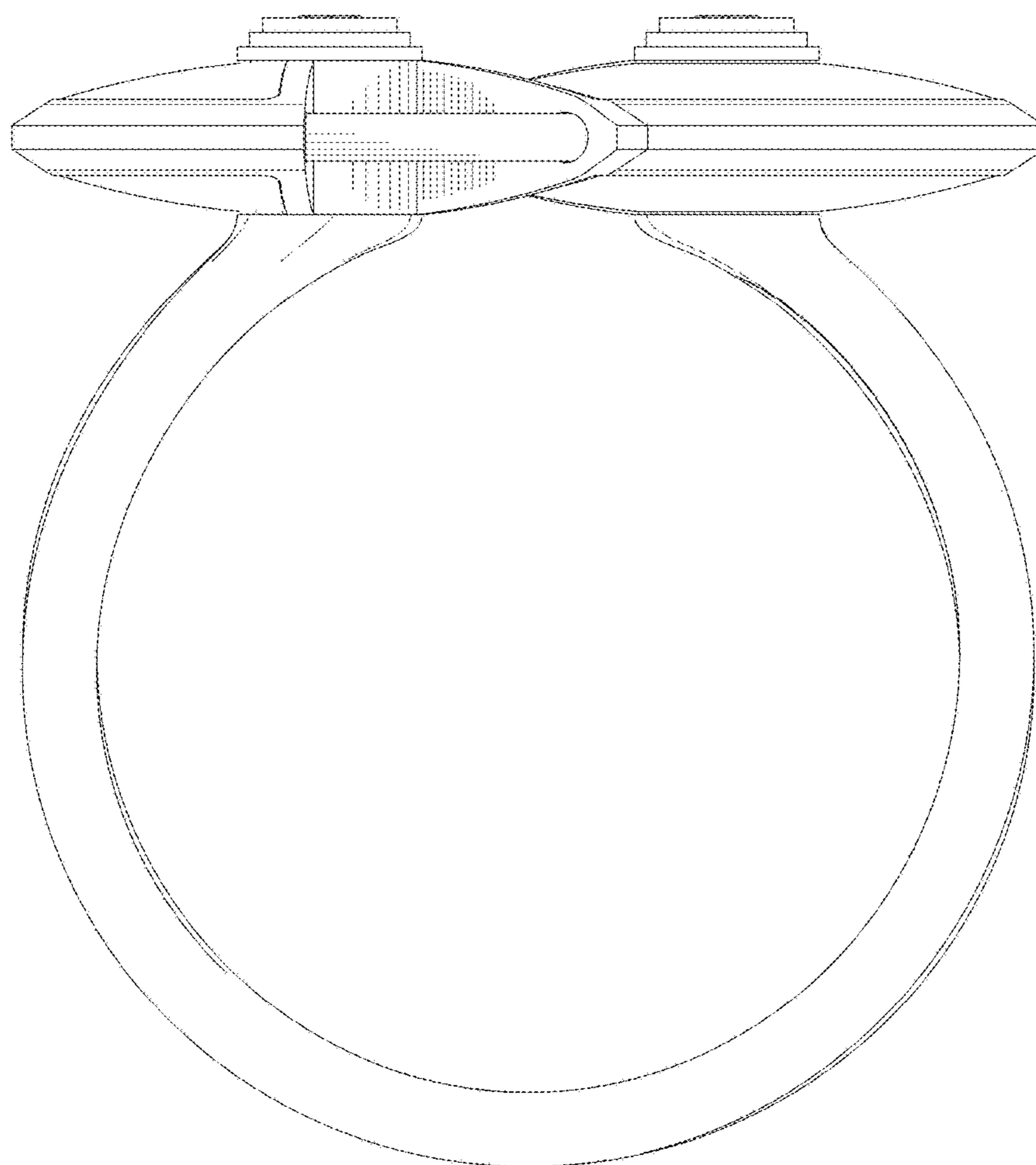


FIG. 2

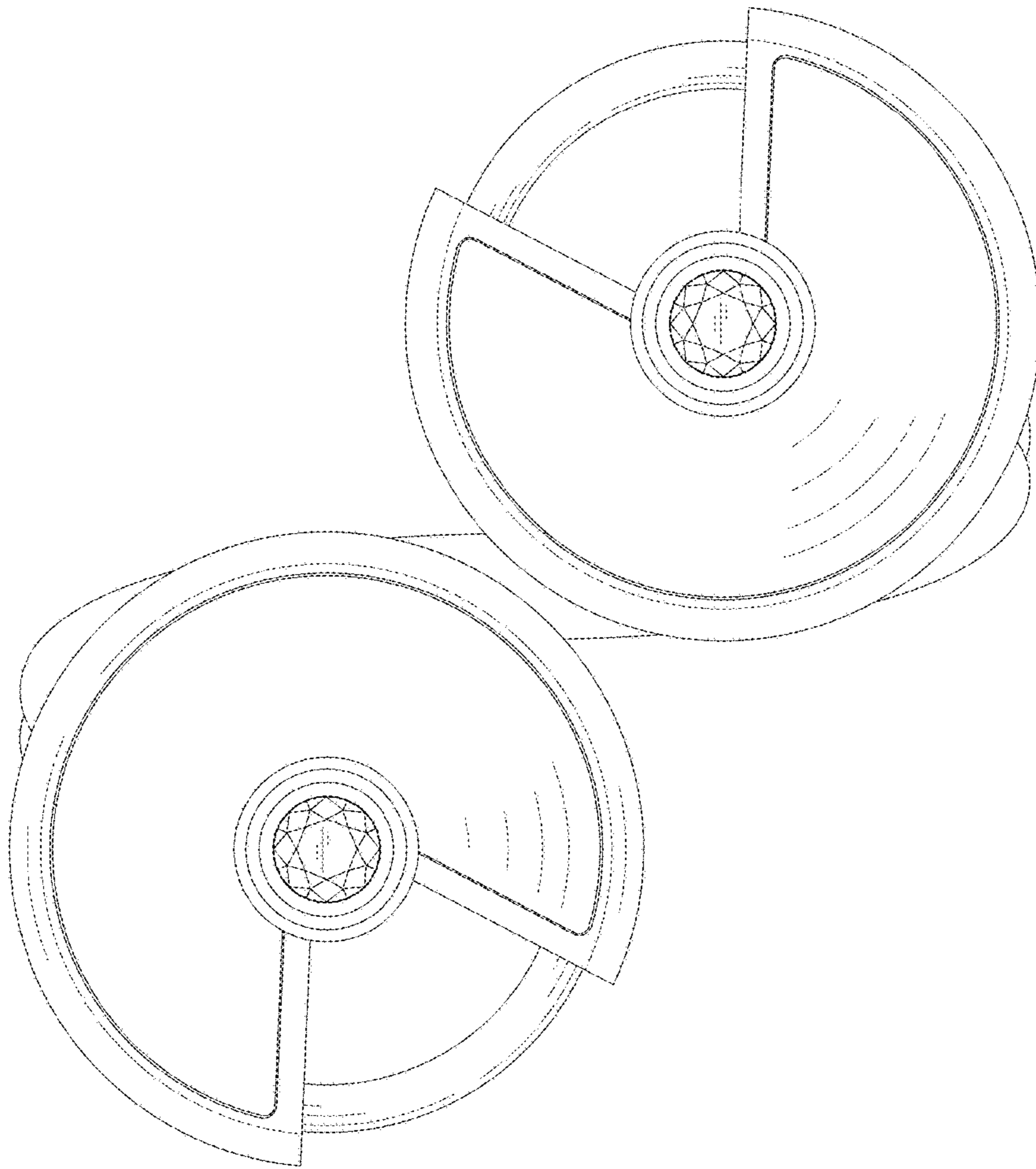


FIG. 3

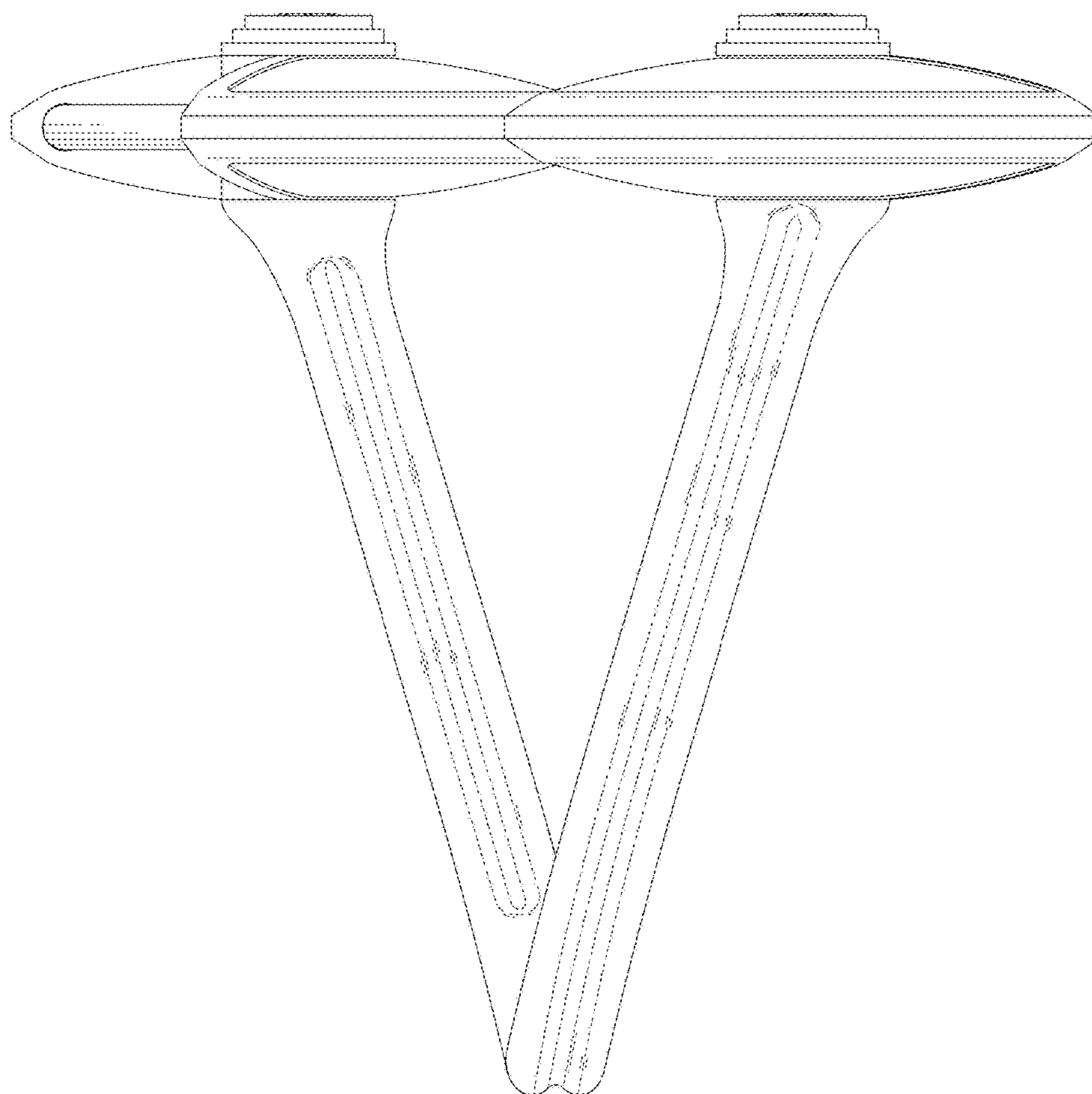


FIG. 4

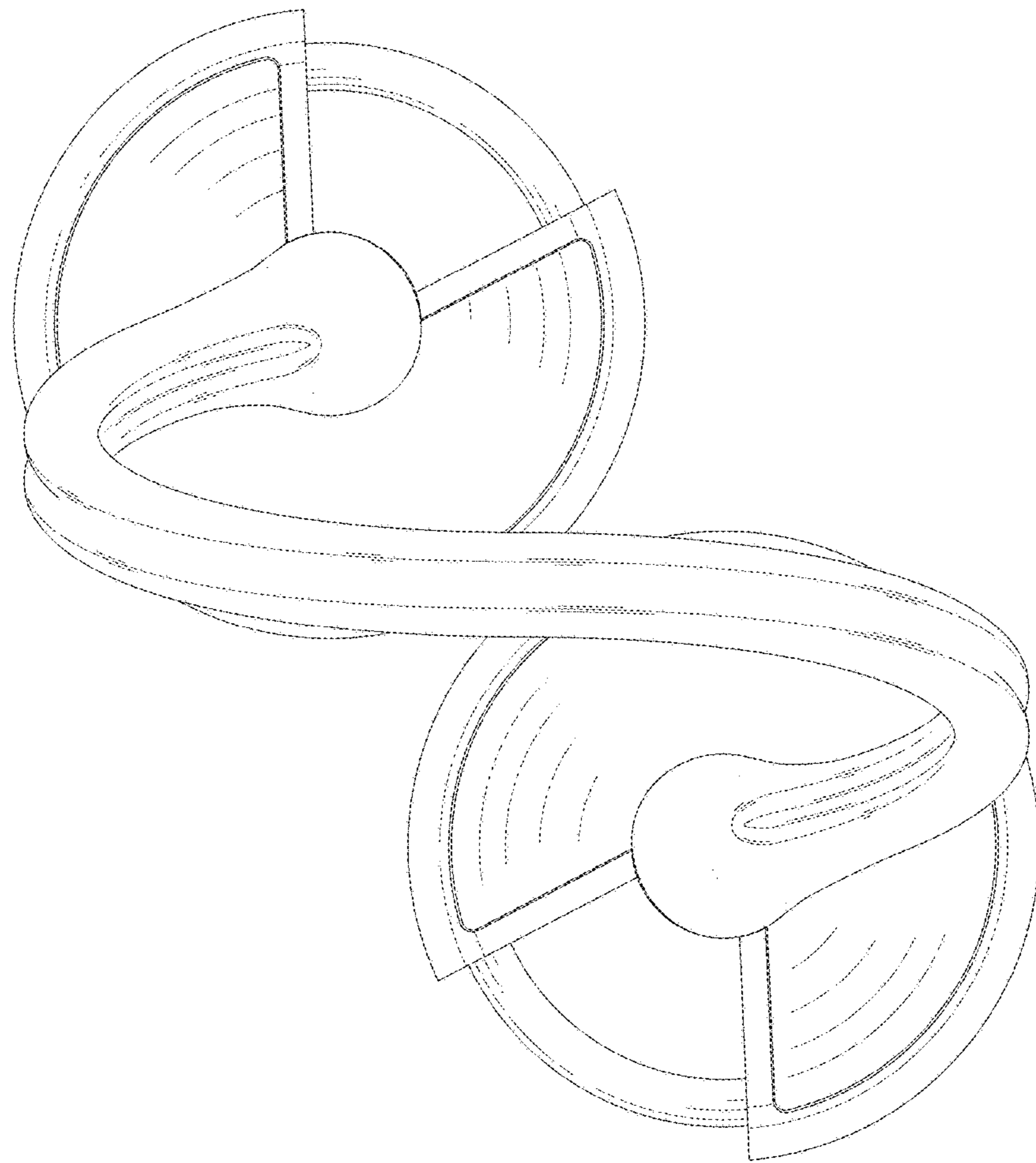


FIG. 5

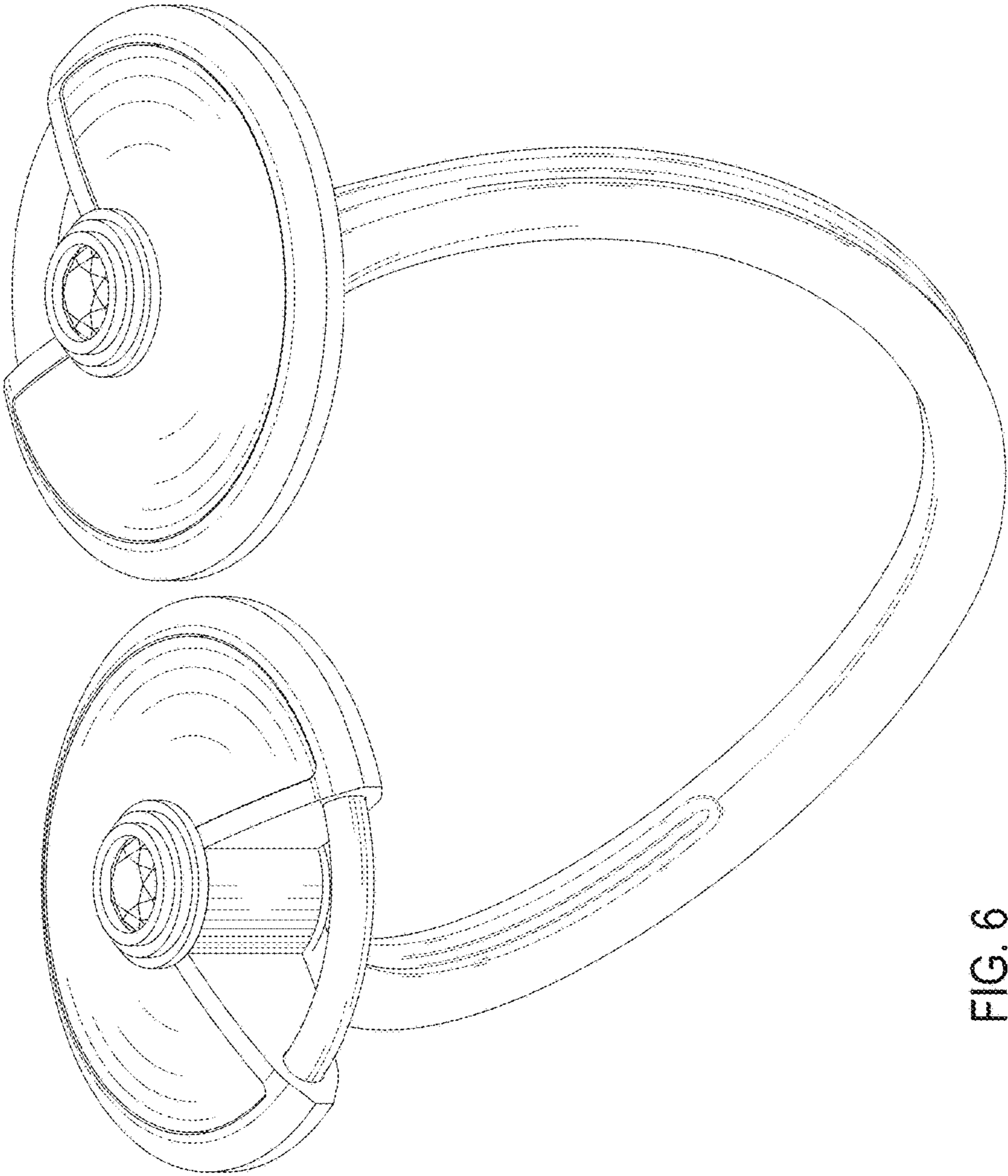


FIG. 6

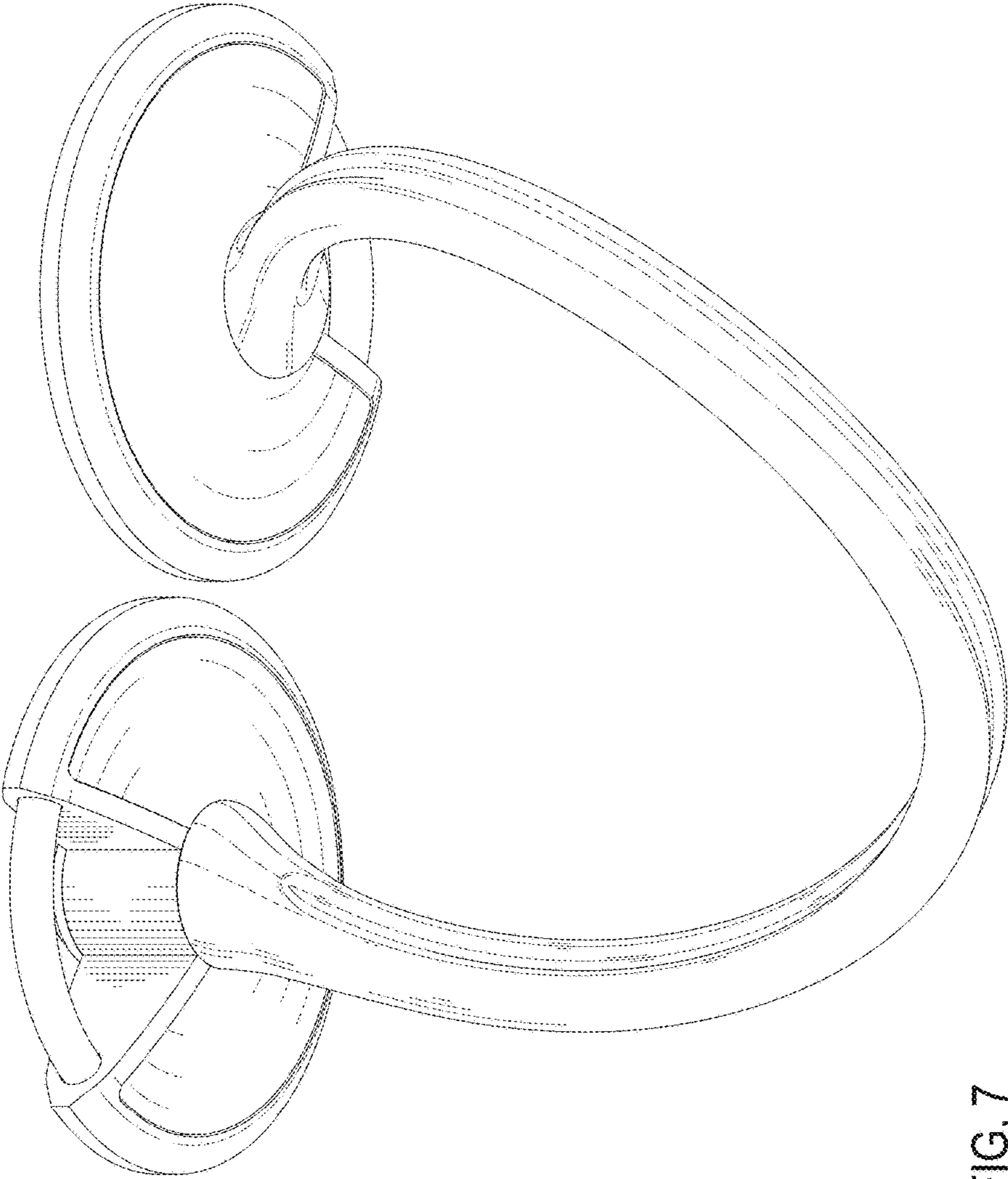


FIG. 7