



US00D836014S

(12) **United States Design Patent**  
**Staton et al.**

(10) **Patent No.: US D836,014 S**

(45) **Date of Patent: \*\* Dec. 18, 2018**

(54) **TITRATOR**

(71) Applicant: **THERMO ORION INC.**, Chelmsford, MA (US)

(72) Inventors: **John M. Staton**, Waltham, MA (US); **William A. Liberis, Jr.**, Somerville, MA (US); **Aaron Szymanski**, Thomaston, CT (US); **Mohan Rajasekaran**, Bristol, CT (US)

(73) Assignee: **THERMO ORION INC.**, Chelmsford, MA (US)

(\*\*) Term: **15 Years**

(21) Appl. No.: **29/608,514**

(22) Filed: **Jun. 22, 2017**

(51) **LOC (11) Cl.** ..... **10-04**

(52) **U.S. Cl.**  
USPC ..... **D10/81; D24/216**

(58) **Field of Classification Search**  
USPC ..... D10/81; D24/216, 232, 233, 234  
CPC ..... B01L 3/0206; G01N 21/79; G01N 27/10;  
G01N 27/07; G01N 27/28; G01N 27/44;  
G01N 31/16; G01N 31/162; G01N 31/164; G01N 31/166; G01N 31/168;  
G01N 31/18; G01N 31/20; G01N 31/22;  
G01N 2021/1751; Y10T 436/116664;  
Y10T 436/13

See application file for complete search history.

(56) **References Cited**

**U.S. PATENT DOCUMENTS**

D417,634 S \* 12/1999 Aebi ..... D10/81

\* cited by examiner

*Primary Examiner* — Antoine Duval Davis

(74) *Attorney, Agent, or Firm* — Wood Herron & Evans LLP

(57) **CLAIM**

The ornamental design for a titrator, as shown and described.

**DESCRIPTION**

FIG. 1 is a front right perspective view of our new titrator design;

FIG. 2 is a front right detail perspective view of the titrator of FIG. 1;

FIG. 3 is a front view of the titrator of FIG. 1;

FIG. 4 is a right side view thereof, with the left side view being a mirror image of the titrator of FIG. 1;

FIG. 5 is a rear view of the titrator of FIG. 1; and

FIG. 6 is a top view of the titrator of FIG. 1.

FIG. 7 is a front right perspective view of another embodiment of the titrator of FIG. 1;

FIG. 8 is a front view of the titrator of FIG. 7;

FIG. 9 is a right side view thereof, with the left side view being a mirror image of the titrator of FIG. 7; and

FIG. 10 is a top view of the titrator of FIG. 7.

FIG. 11 is a front right perspective view of another embodiment of the titrator of FIG. 1;

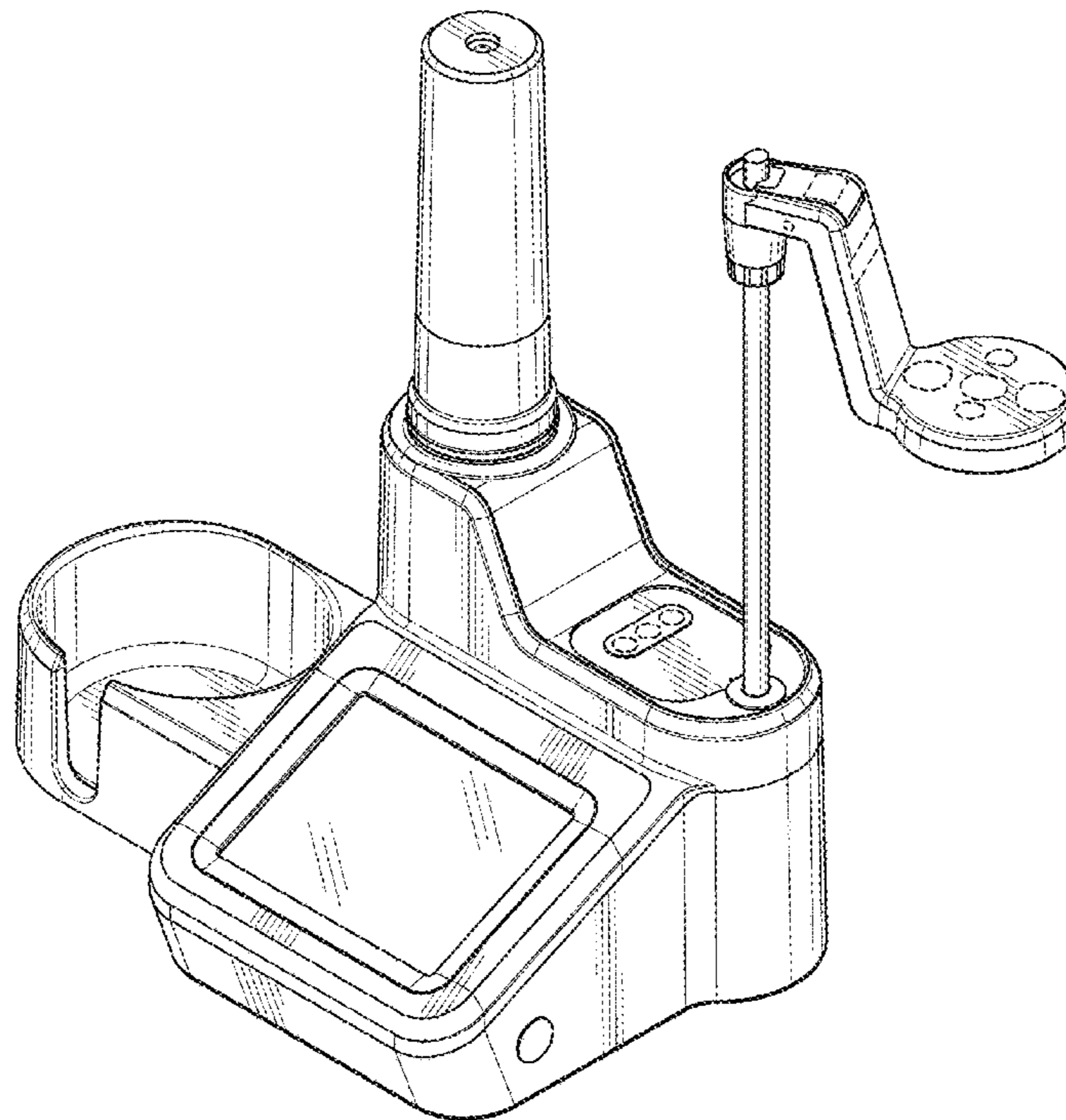
FIG. 12 is a front view of the titrator of FIG. 11;

FIG. 13 is a right side view thereof, with the left side view being a mirror image of the titrator of FIG. 11; and,

FIG. 14 is a top view of the titrator of FIG. 11.

The features of the titrator shown in broken lines are for illustrative purposes only and form no part of the claimed design.

**1 Claim, 11 Drawing Sheets**



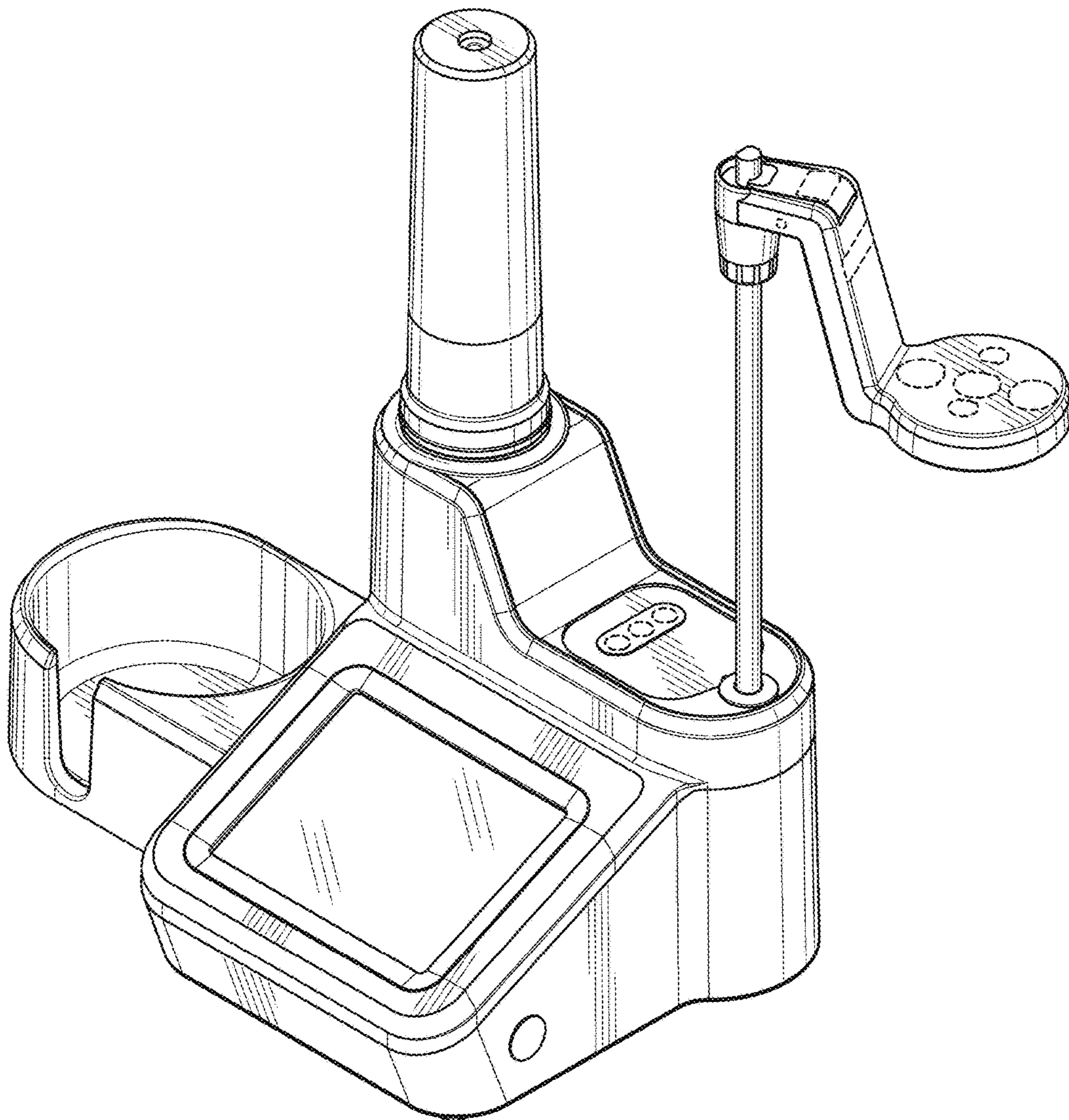


FIG. 1



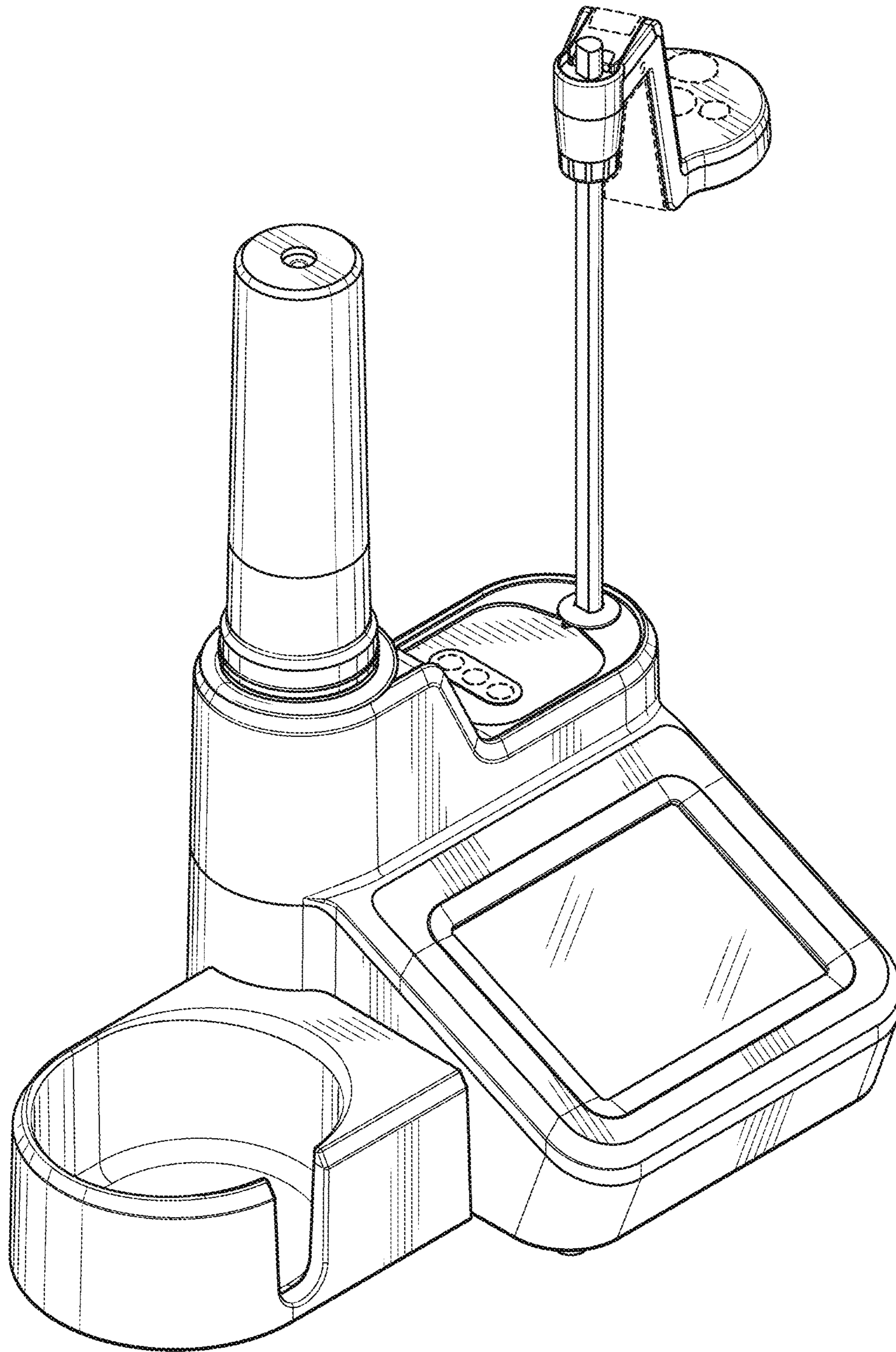


FIG. 2

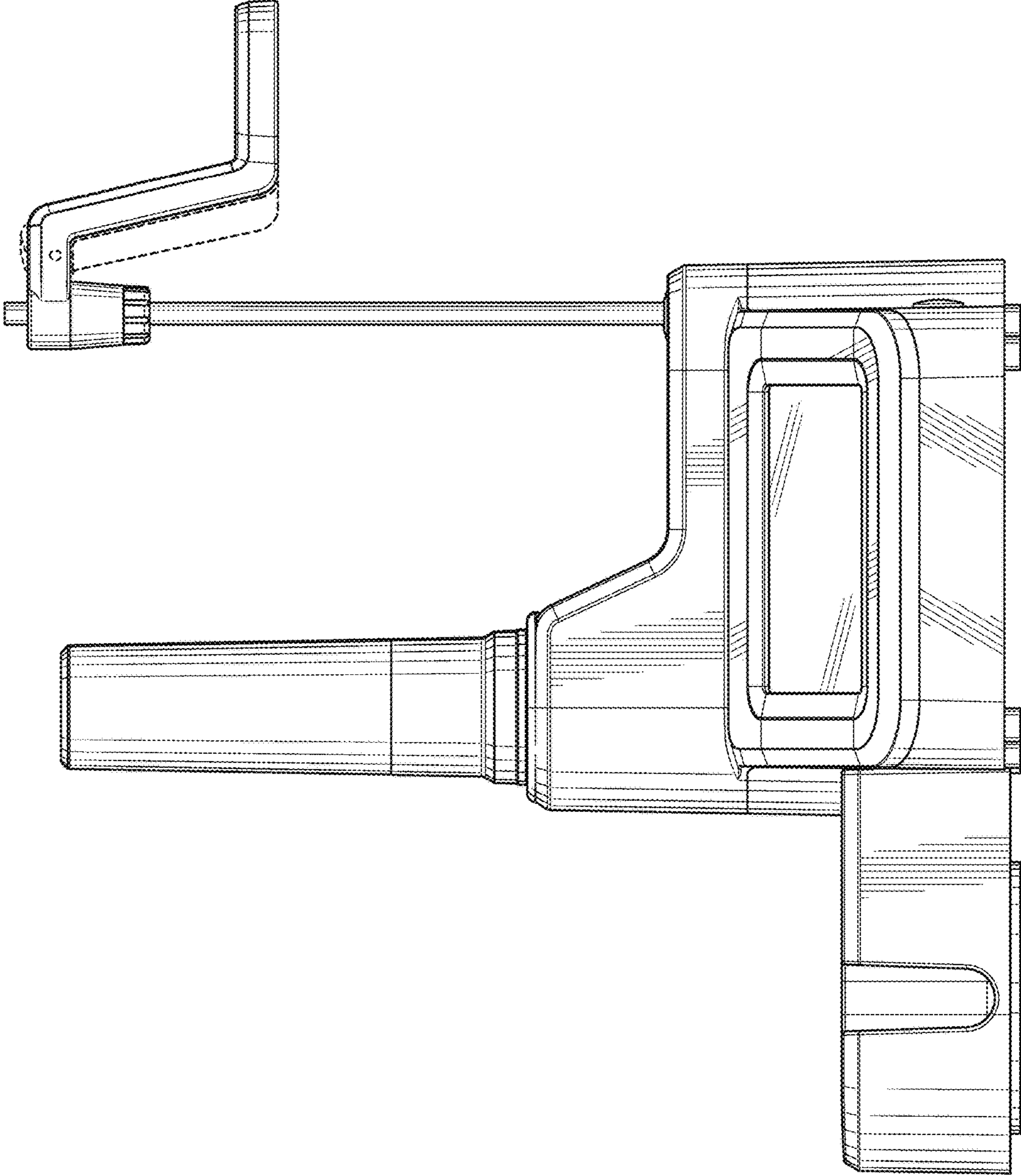


FIG. 3

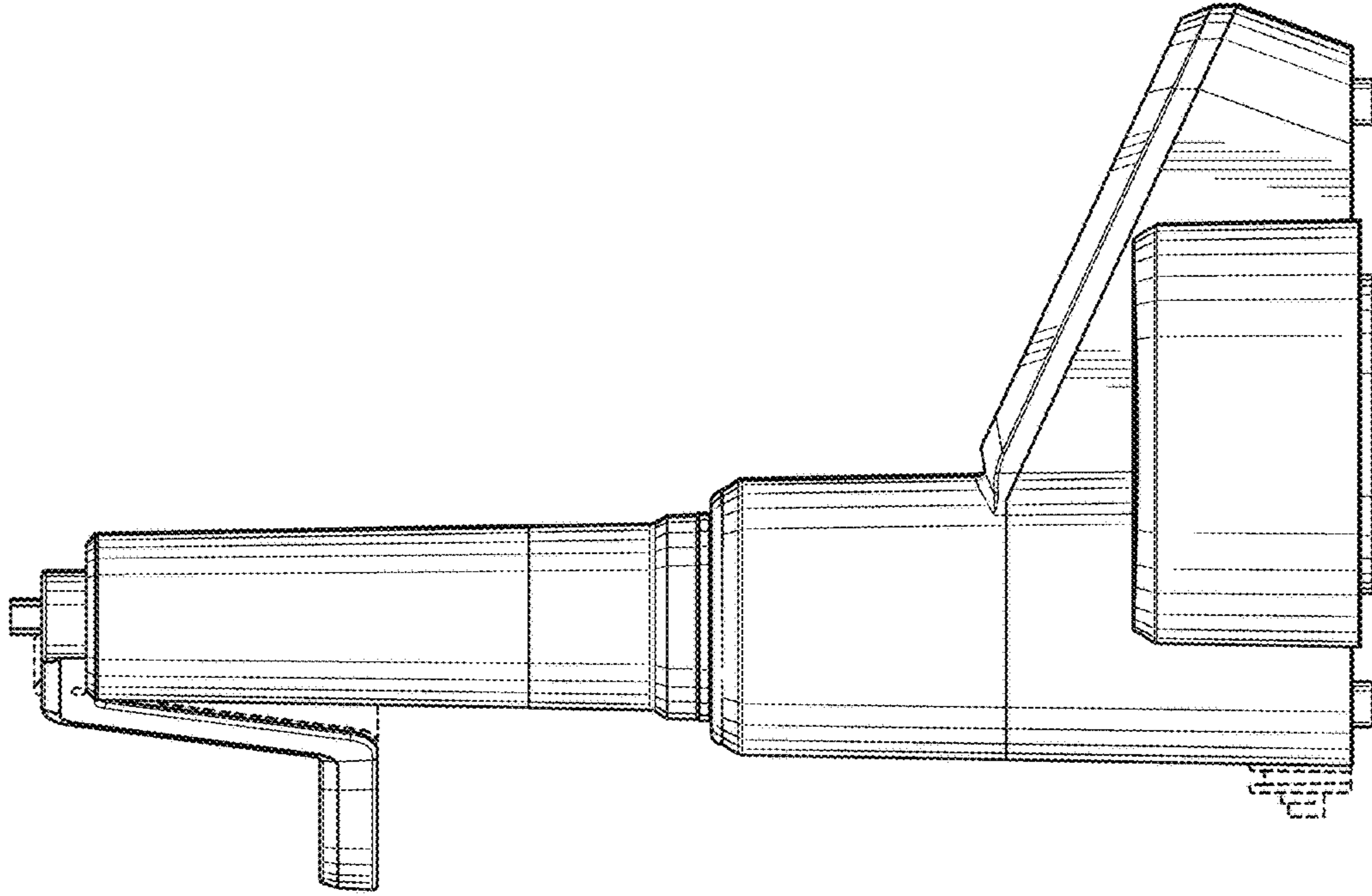


FIG. 5

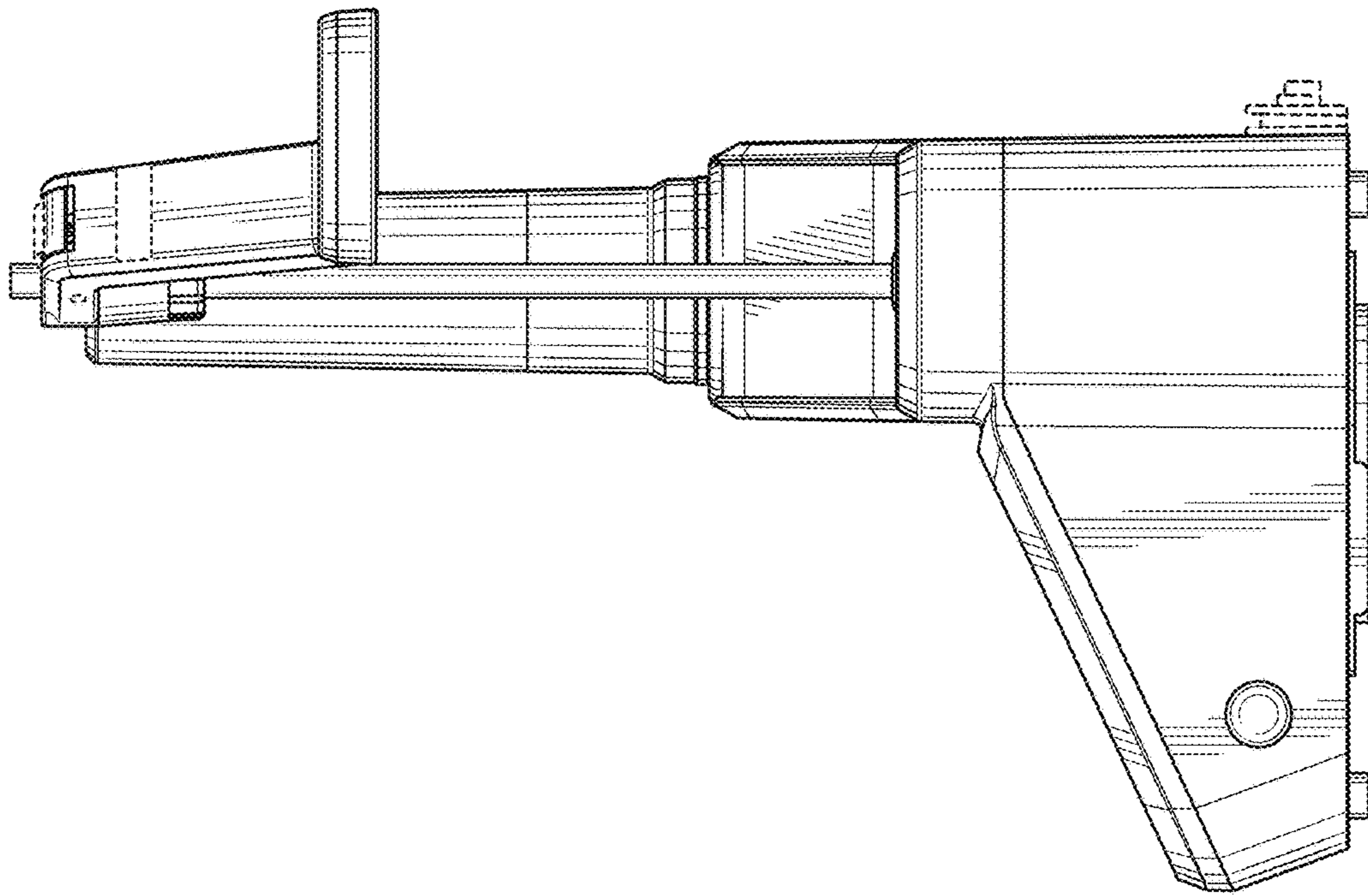


FIG. 4



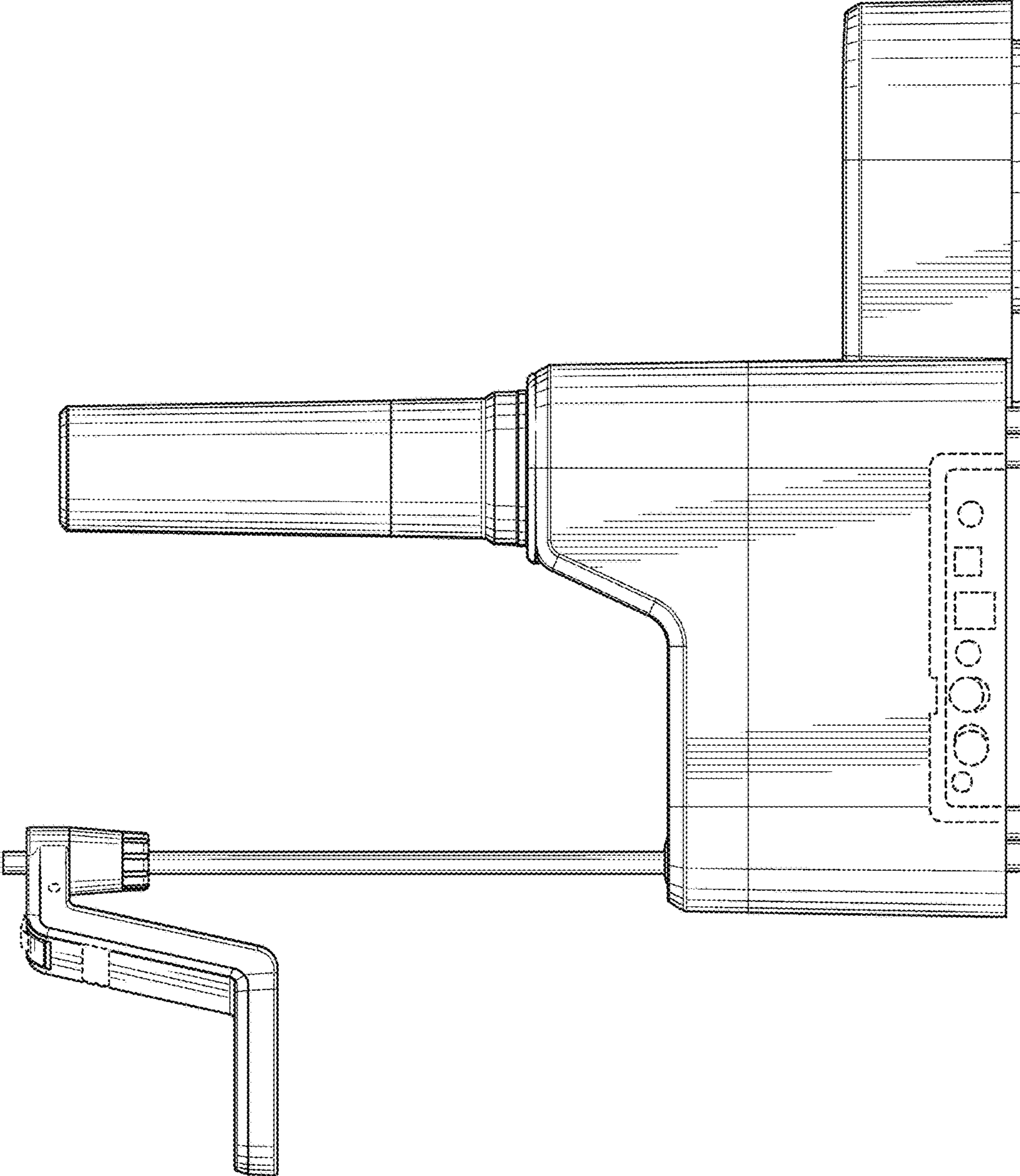


FIG. 6

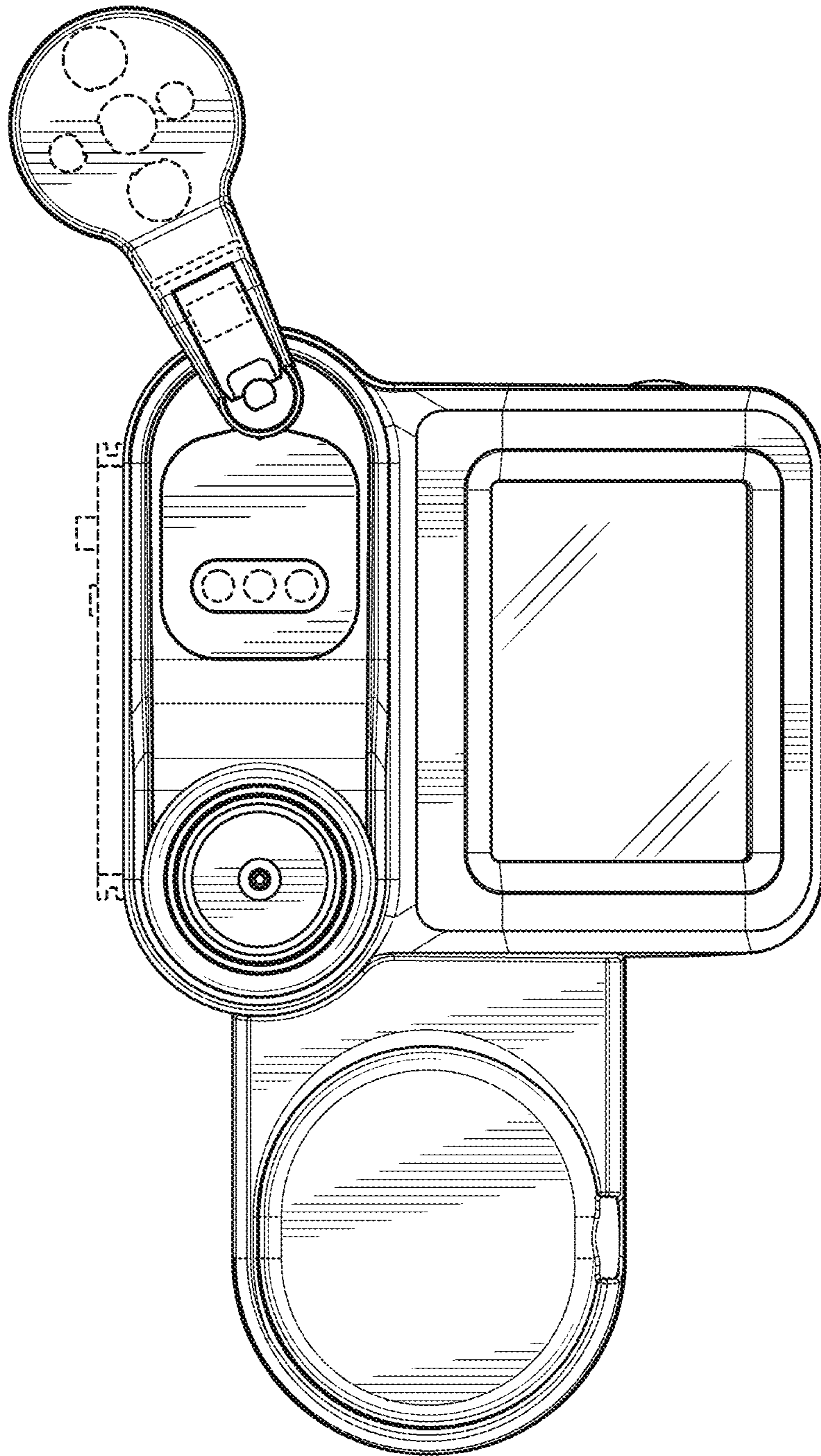


FIG. 7

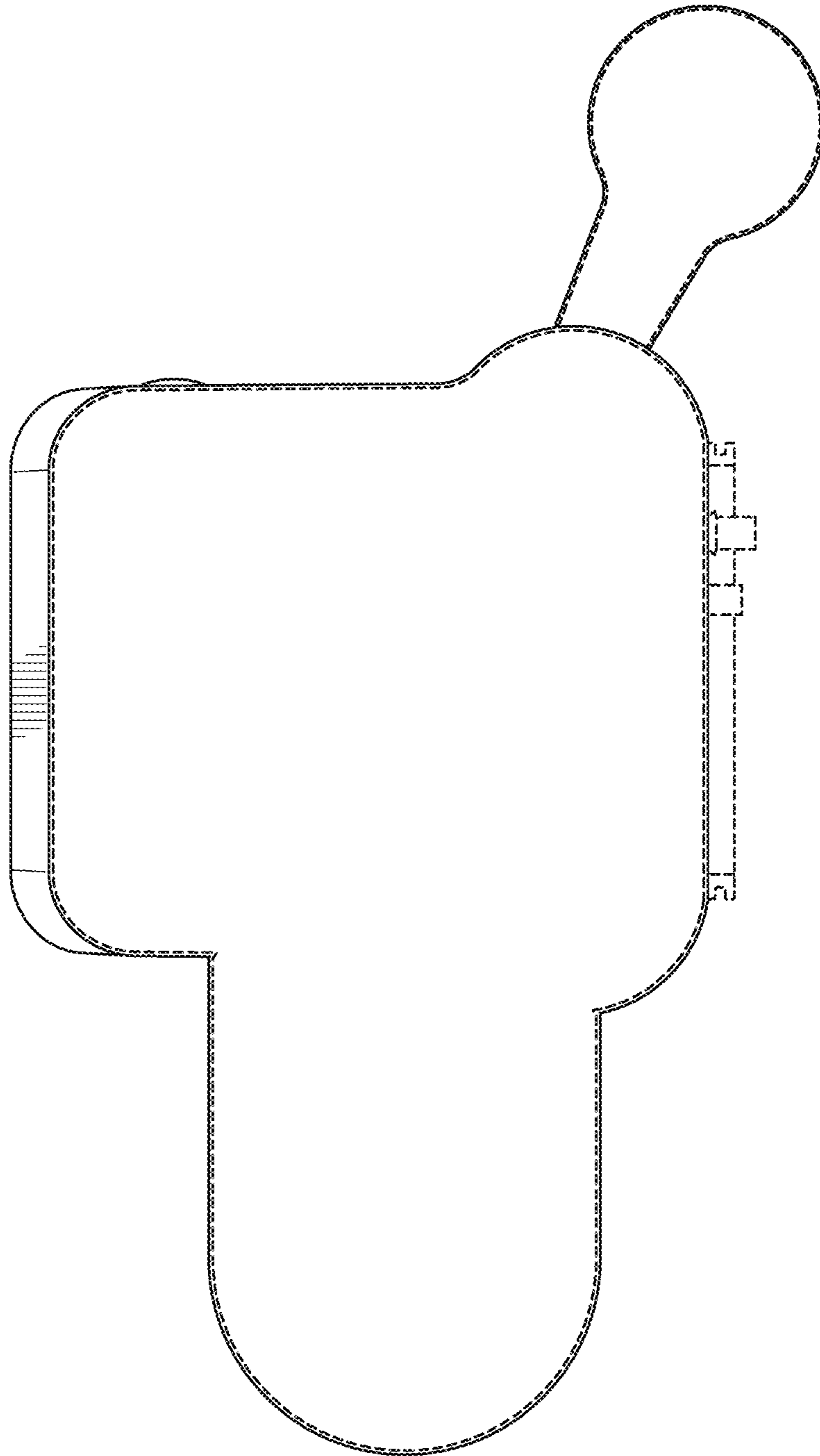


FIG. 8



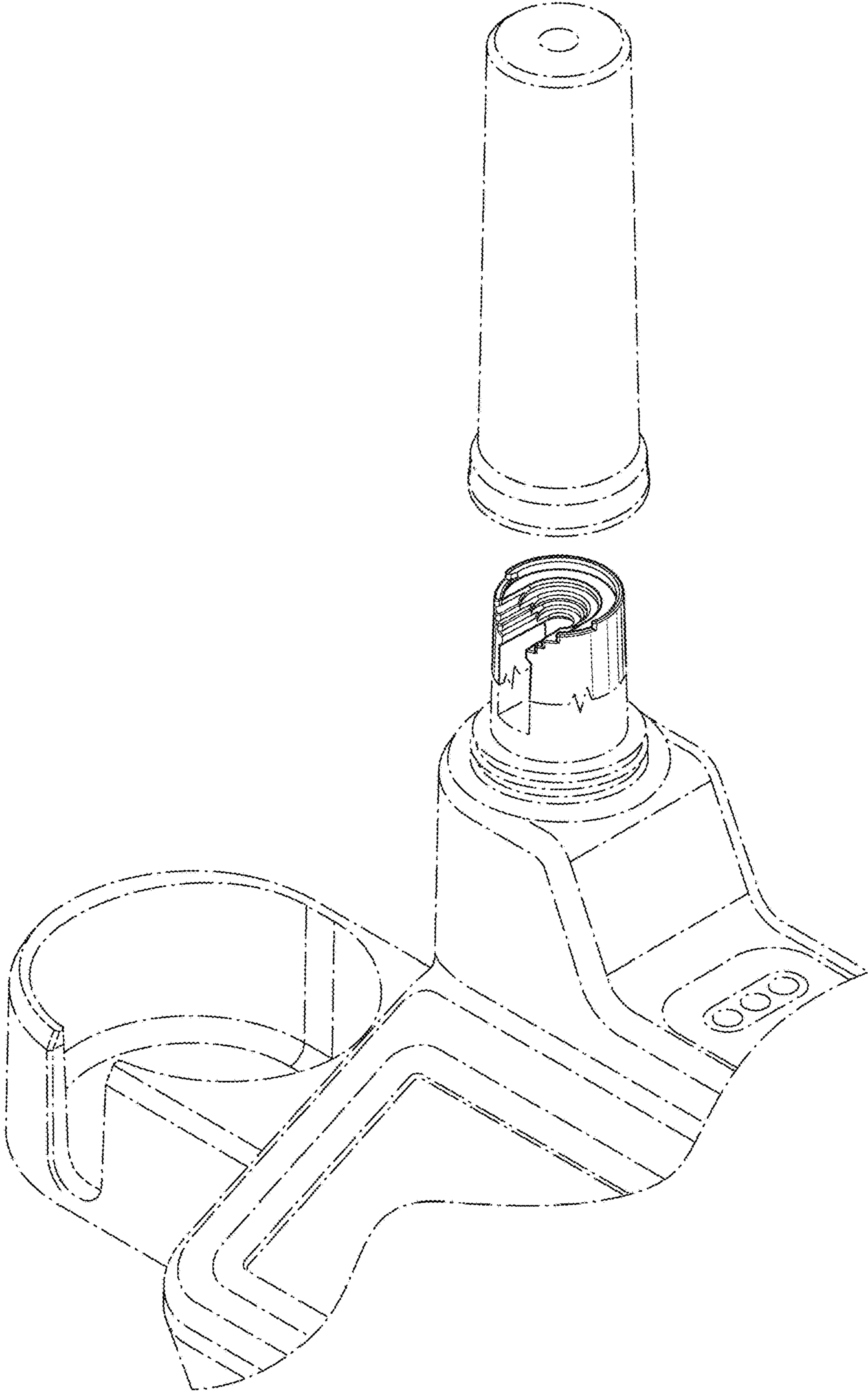


FIG. 9

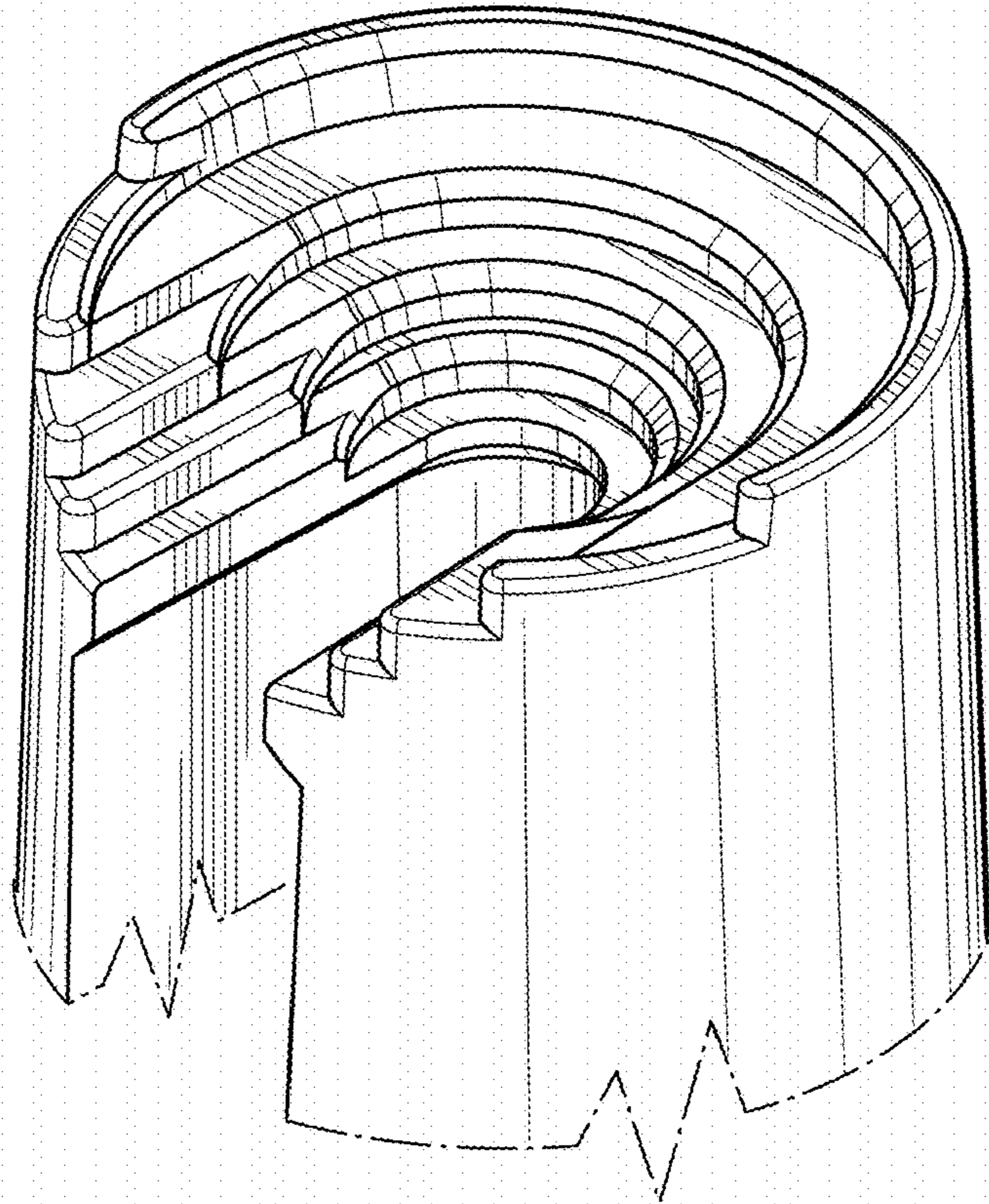


FIG. 10

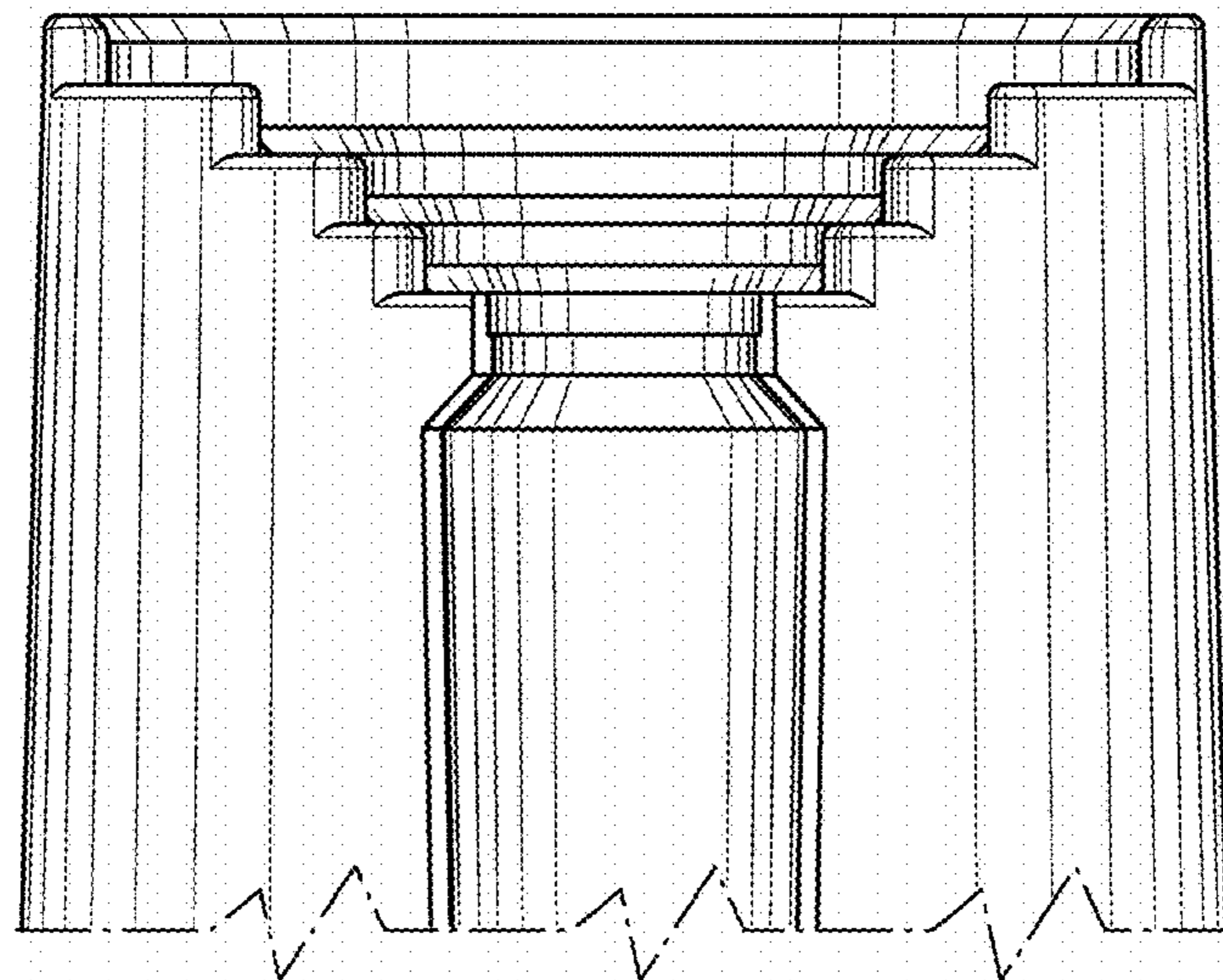


FIG. 11

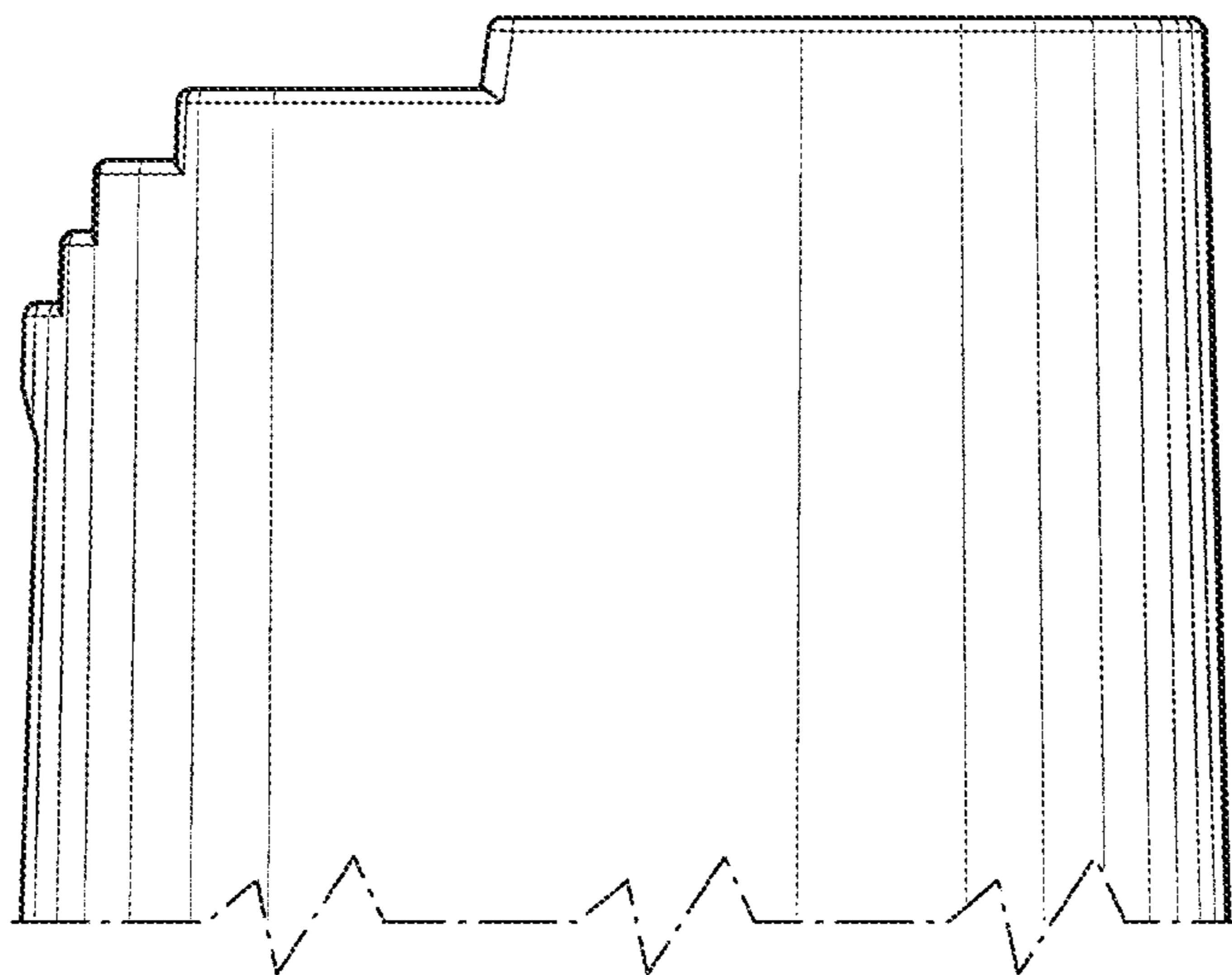


FIG. 12

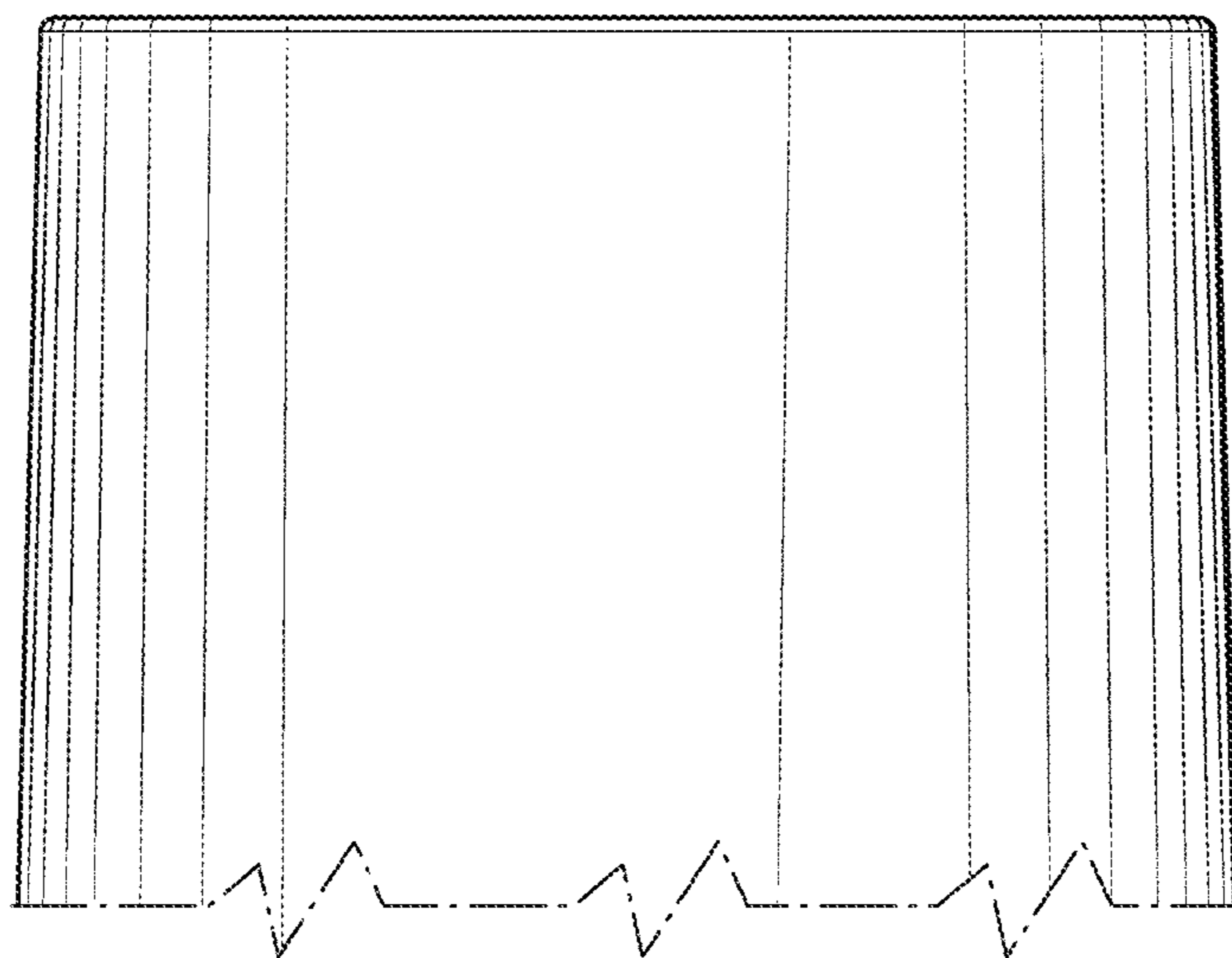


FIG. 13



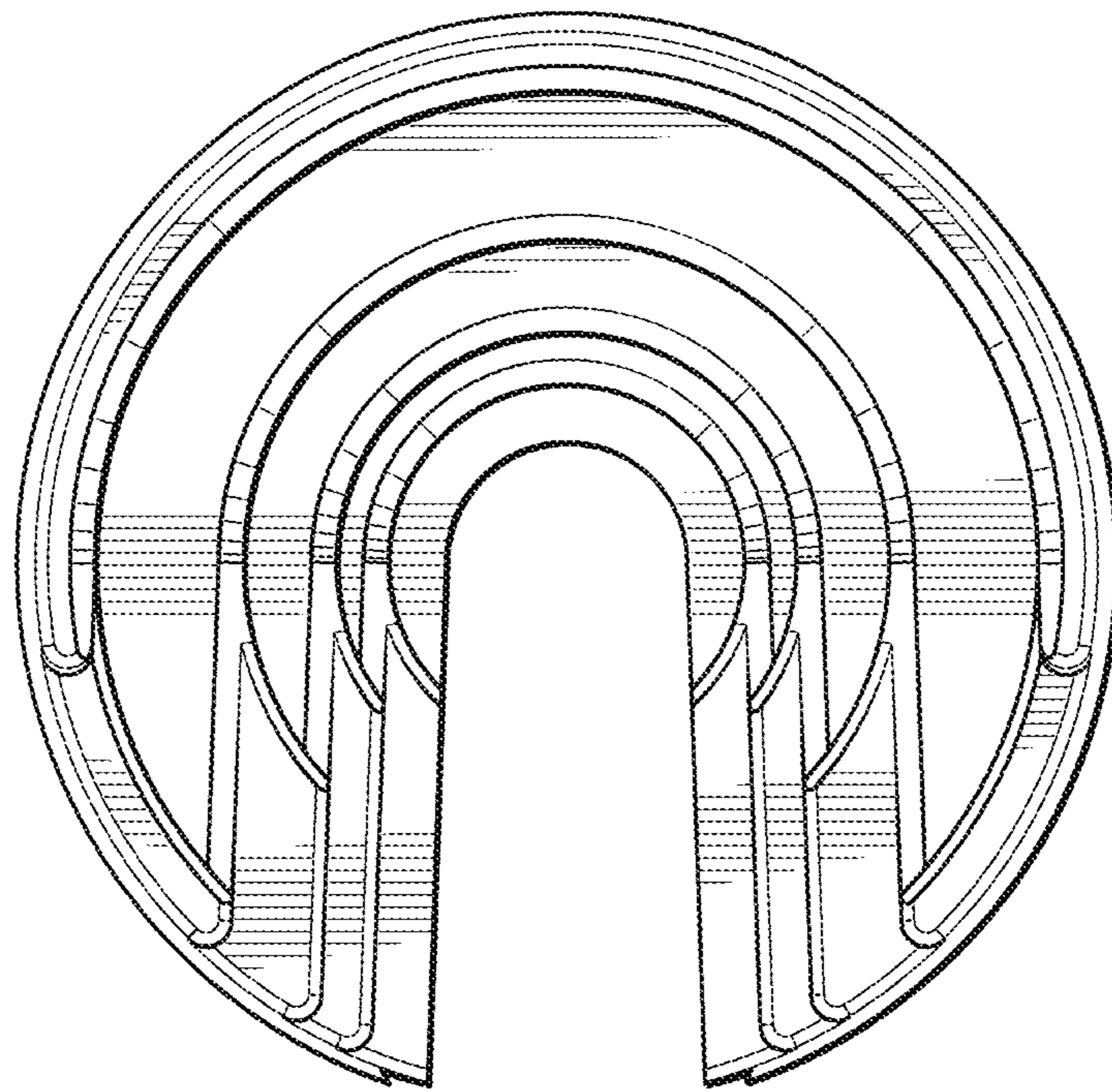


FIG. 14

UNITED STATES PATENT AND TRADEMARK OFFICE  
**CERTIFICATE OF CORRECTION**

PATENT NO. : D836,014 S  
APPLICATION NO. : 29/608514  
DATED : December 18, 2018  
INVENTOR(S) : John M. Staton

Page 1 of 10

It is certified that error appears in the above-identified patent and that said Letters Patent is hereby corrected as shown below:

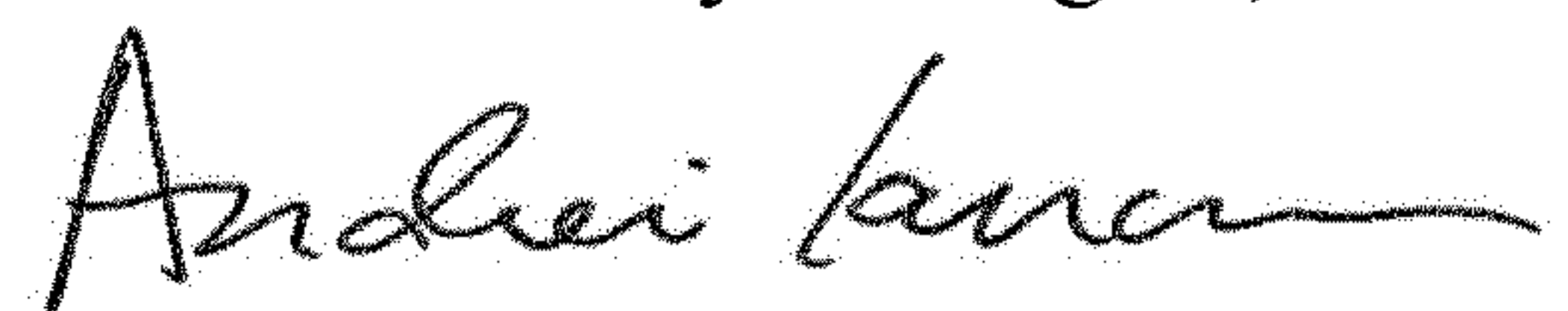
On the Title Page

Under Description, please insert --1 Claim, 8 Drawing Sheets-- as shown on the attached title page.

In the Drawings

Please delete Drawing Sheets 1-11 and replace them with attached Drawing Sheets 1-8.

Signed and Sealed this  
Thirteenth Day of August, 2019



Andrei Iancu  
*Director of the United States Patent and Trademark Office*

(12) **United States Design Patent** (10) **Patent No.:** **US D836,014 S**  
**Staton et al.** (45) **Date of Patent:** **\*\* Dec. 18, 2018**

(54) **TITRATOR**  
 (71) Applicant: **THERMO ORION INC.**, Chelmsford, MA (US)  
 (72) Inventors: **John M. Staton**, Waltham, MA (US); **William A. Liberis, Jr.**, Somerville, MA (US); **Aaron Szymanski**, Thomaston, CT (US); **Mohan Rajasekaran**, Bristol, CT (US)  
 (73) Assignee: **THERMO ORION INC.**, Chelmsford, MA (US)  
 (\*\*) Term: **15 Years**  
 (21) Appl. No.: **29/608,514**  
 (22) Filed: **Jun. 22, 2017**  
 (51) **LOC (11) CL.** ..... **10-04**  
 (52) **U.S. CL.**  
 USPC ..... **D10/81; D24/216**  
 (58) **Field of Classification Search**  
 USPC ..... **D10/81; D24/216; 232; 233; 234**  
 CPC ..... **B01L 3/0206; G01N 21/79; G01N 27/10; G01N 27/07; G01N 27/28; G01N 27/44; G01N 31/16; G01N 31/162; G01N 31/164; G01N 31/166; G01N 31/168; G01N 31/18; G01N 31/20; G01N 31/22; G01N 2021/1751; Y10T 436/116664; Y10T 436/13**  
 See application file for complete search history.

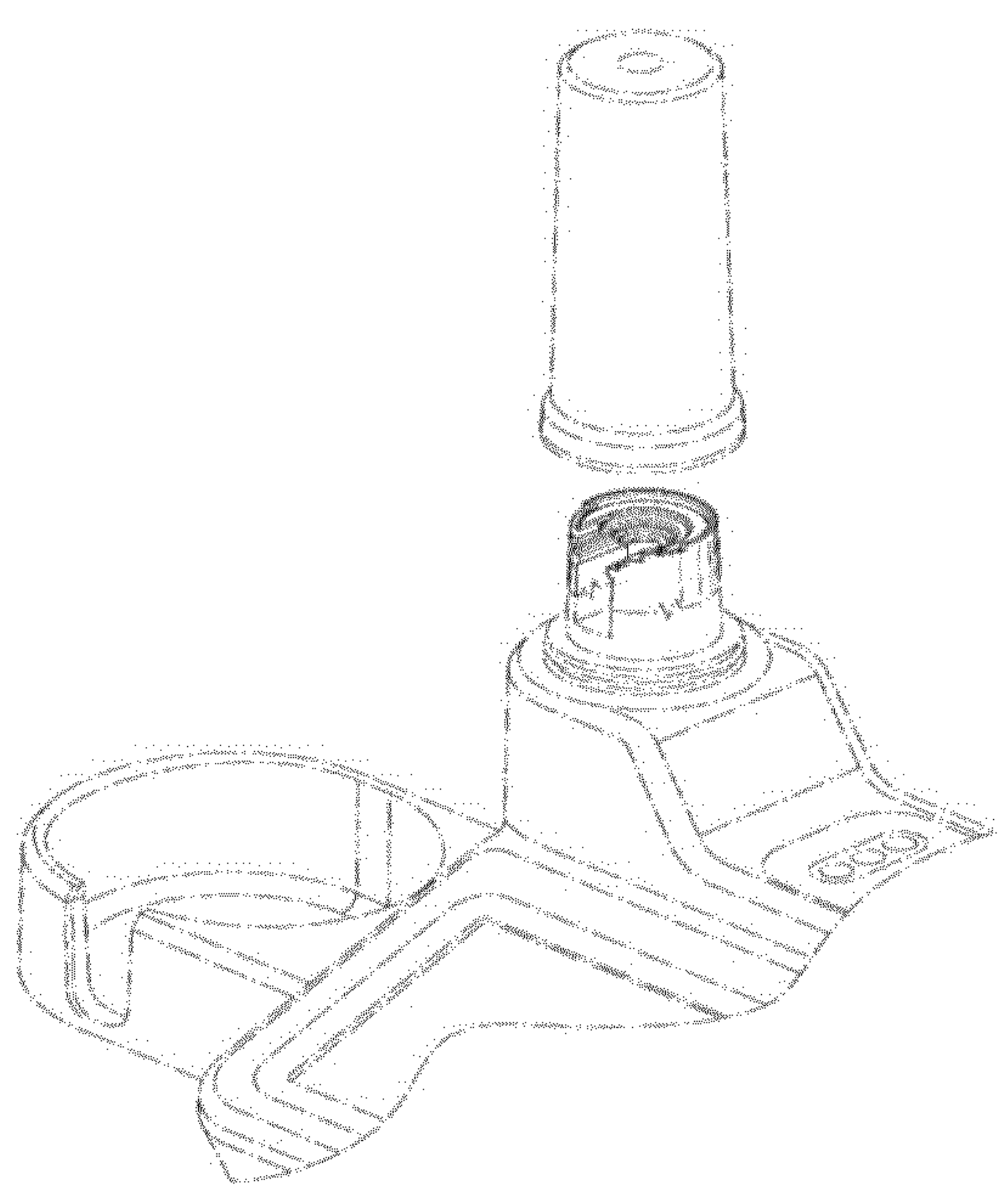
(56) **References Cited**  
**U.S. PATENT DOCUMENTS**  
 D417,634 S \* 12/1999 Aebi ..... D10/81  
 \* cited by examiner

*Primary Examiner* — Antoine Duval Davis  
 (74) *Attorney, Agent, or Firm* — Wood Herron & Evans LLP

(57) **CLAIM**  
 The ornamental design for a titrator, as shown and described.

**DESCRIPTION**  
 FIG. 1 is a front right perspective view of our new titrator design;  
 FIG. 2 is a front right detail perspective view of the titrator of FIG. 1;  
 FIG. 3 is a front view of the titrator of FIG. 1;  
 FIG. 4 is a right side view thereof, with the left side view being a mirror image of the titrator of FIG. 1;  
 FIG. 5 is a rear view of the titrator of FIG. 1; and  
 FIG. 6 is a top view of the titrator of FIG. 1.  
 FIG. 7 is a front right perspective view of another embodiment of the titrator of FIG. 1;  
 FIG. 8 is a front view of the titrator of FIG. 7;  
 FIG. 9 is a right side view thereof, with the left side view being a mirror image of the titrator of FIG. 7; and  
 FIG. 10 is a top view of the titrator of FIG. 7.  
 FIG. 11 is a front right perspective view of another embodiment of the titrator of FIG. 1;  
 FIG. 12 is a front view of the titrator of FIG. 11;  
 FIG. 13 is a right side view thereof, with the left side view being a mirror image of the titrator of FIG. 11; and  
 FIG. 14 is a top view of the titrator of FIG. 11.  
 The features of the titrator shown in broken lines are for illustrative purposes only and form no part of the claimed design.

**1 Claim, 8 Drawing Sheets**





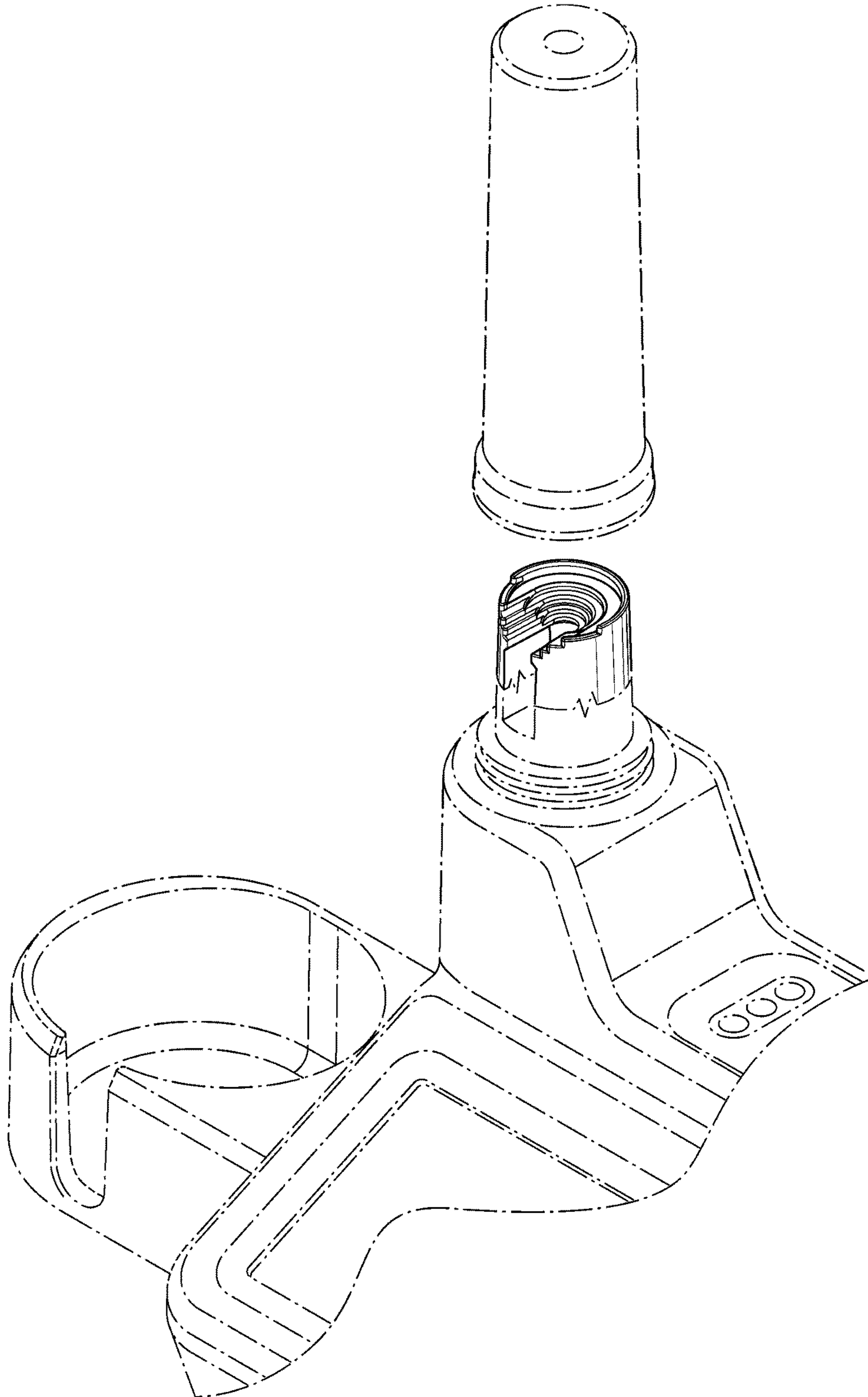


FIG. 1

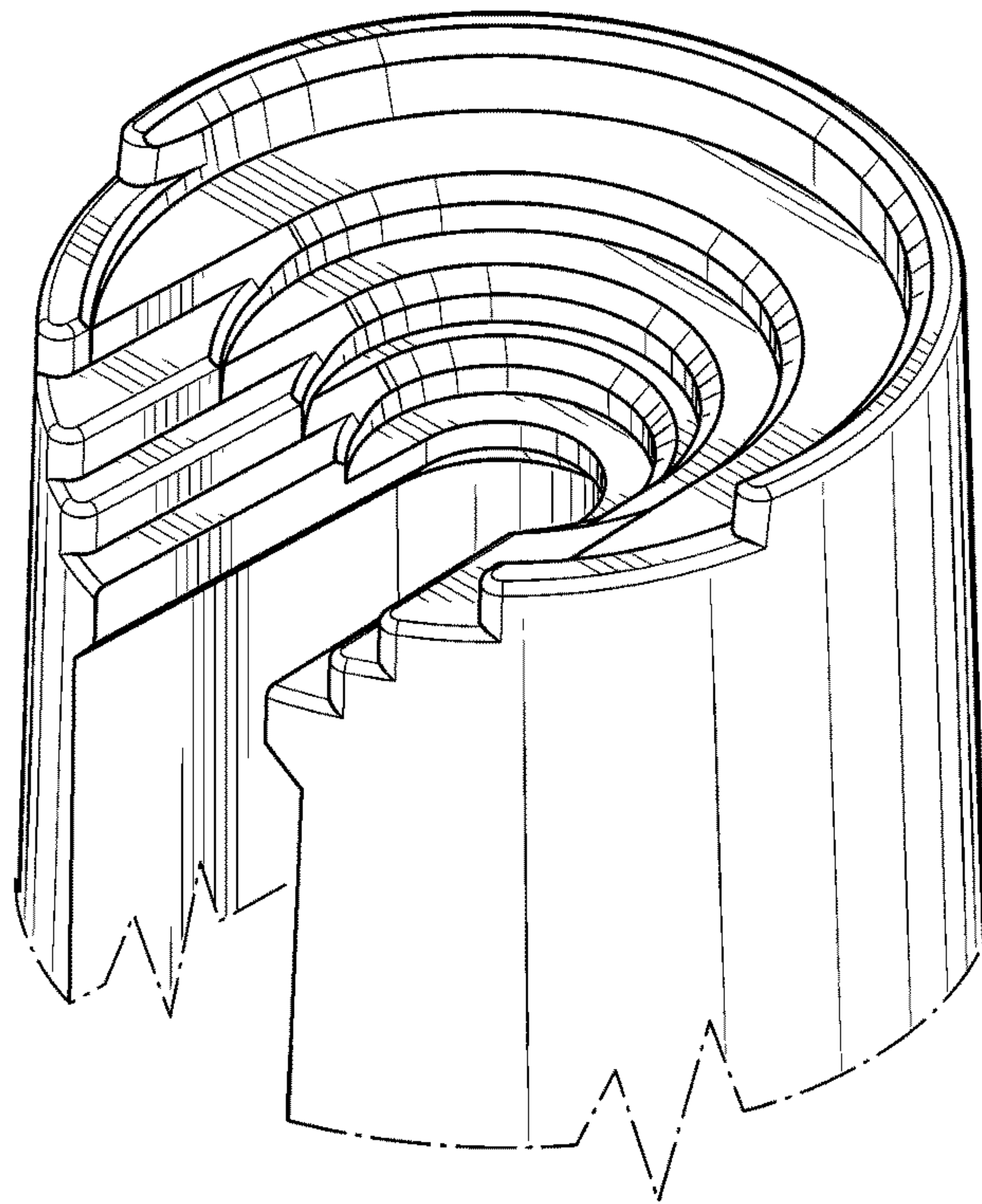


FIG. 2

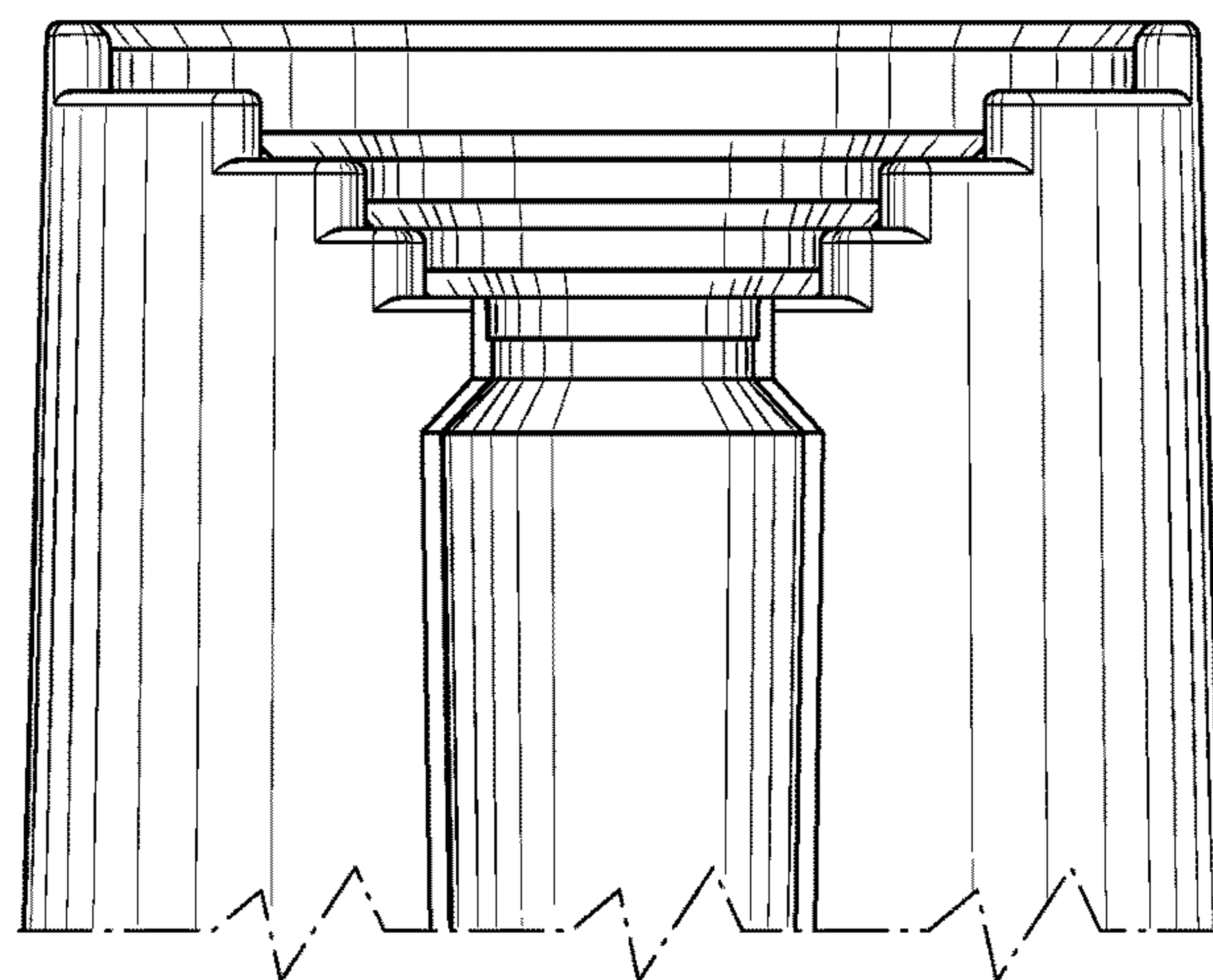


FIG. 3

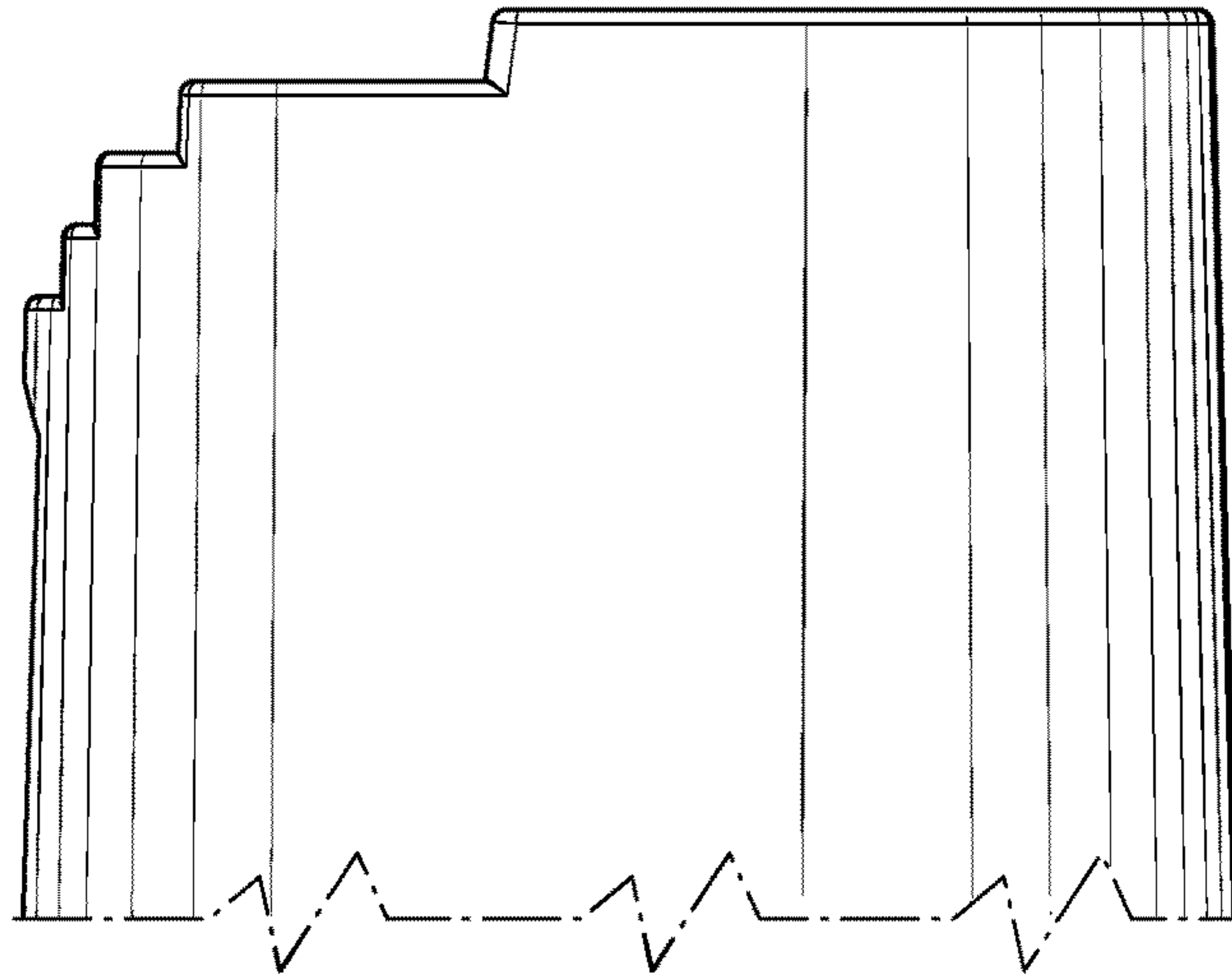


FIG. 4

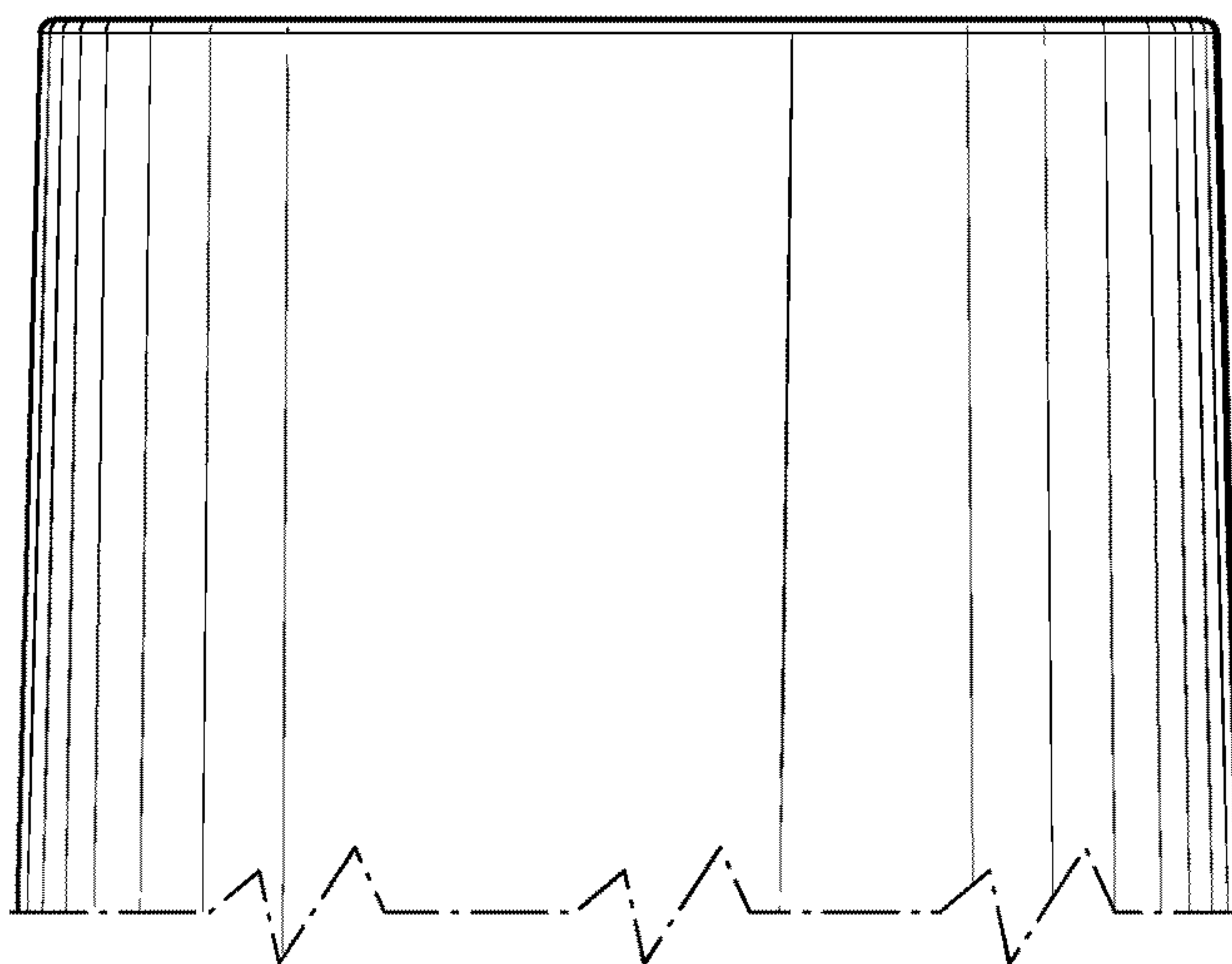


FIG. 5



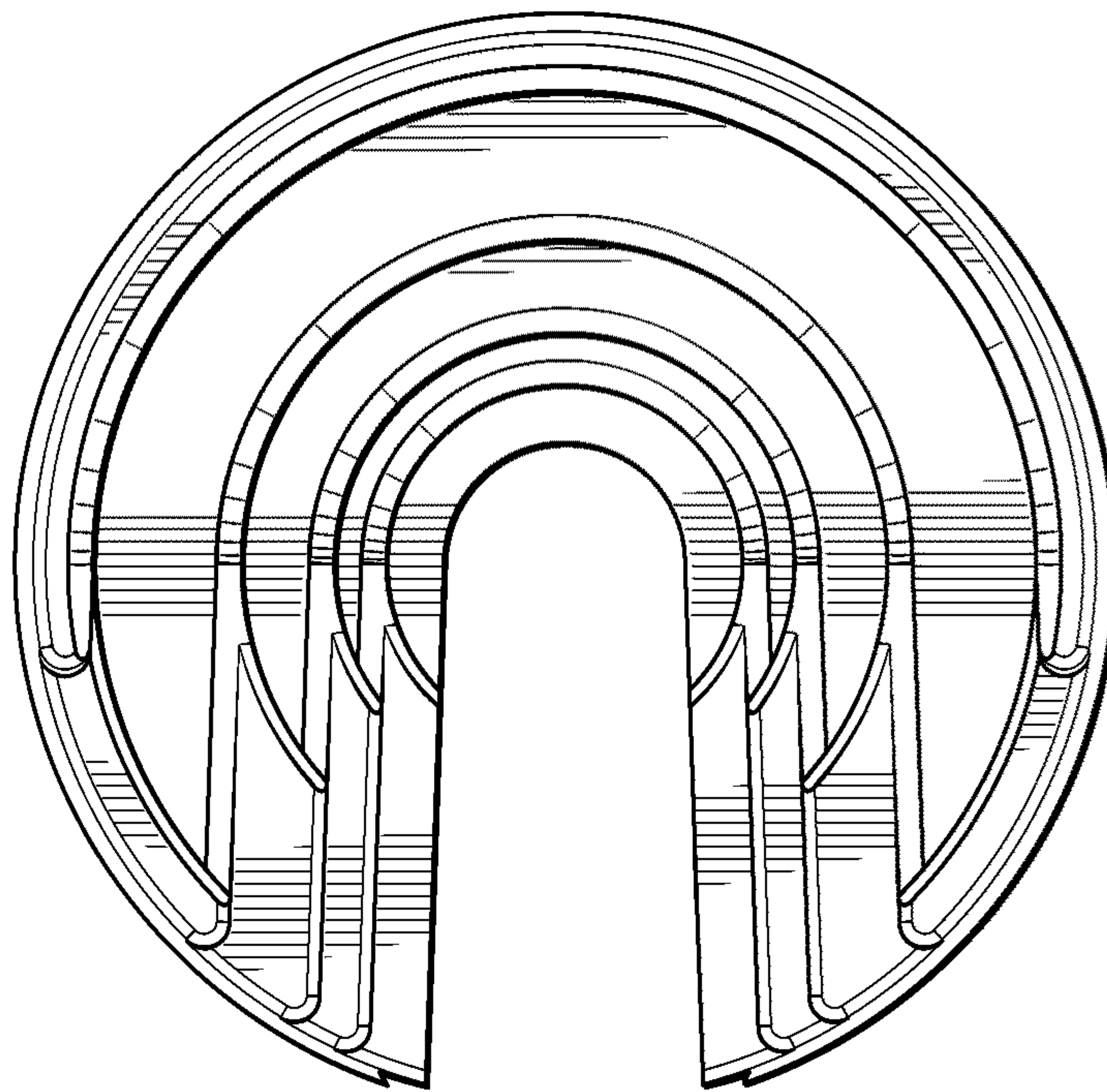


FIG. 6

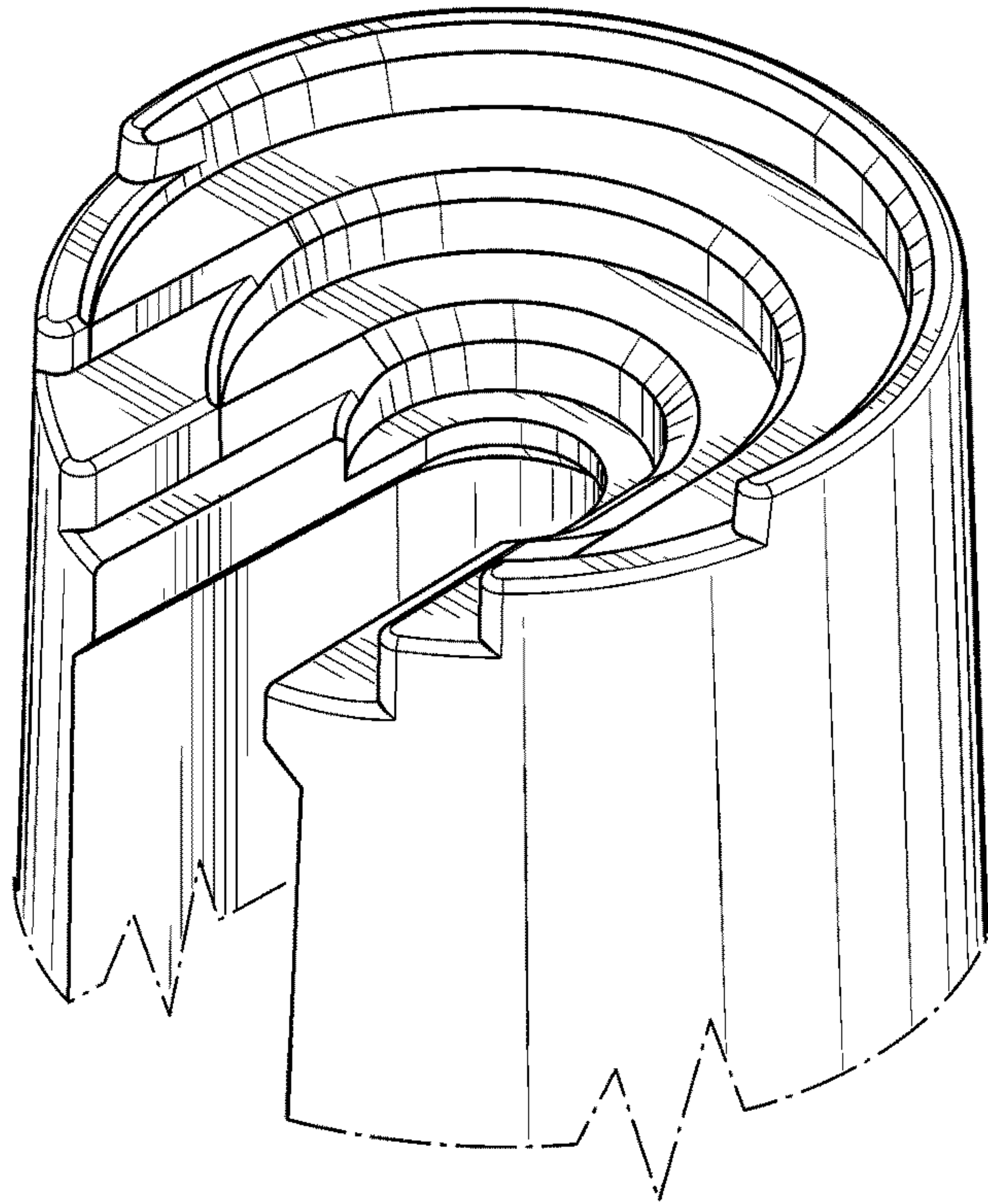


FIG. 7

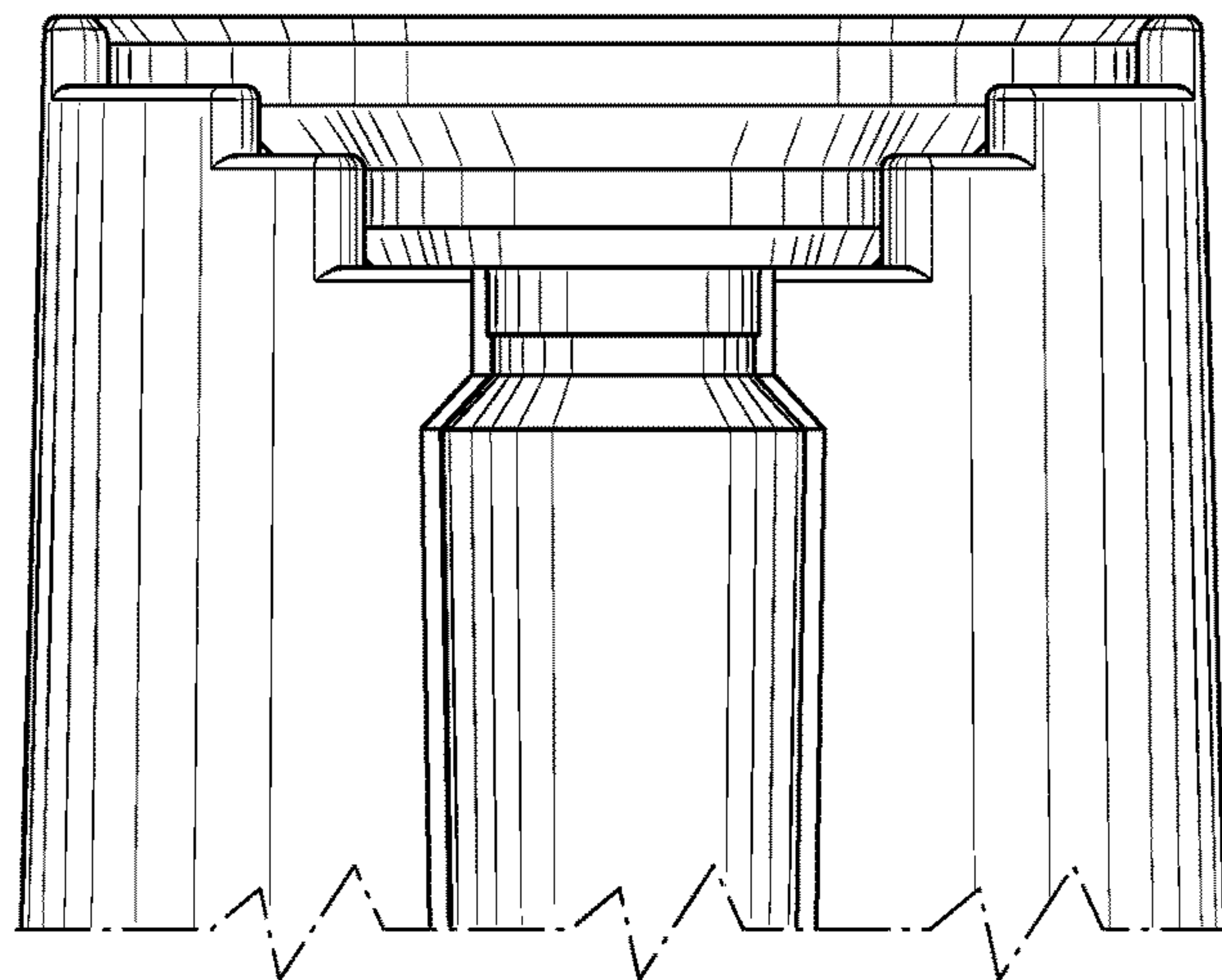


FIG. 8

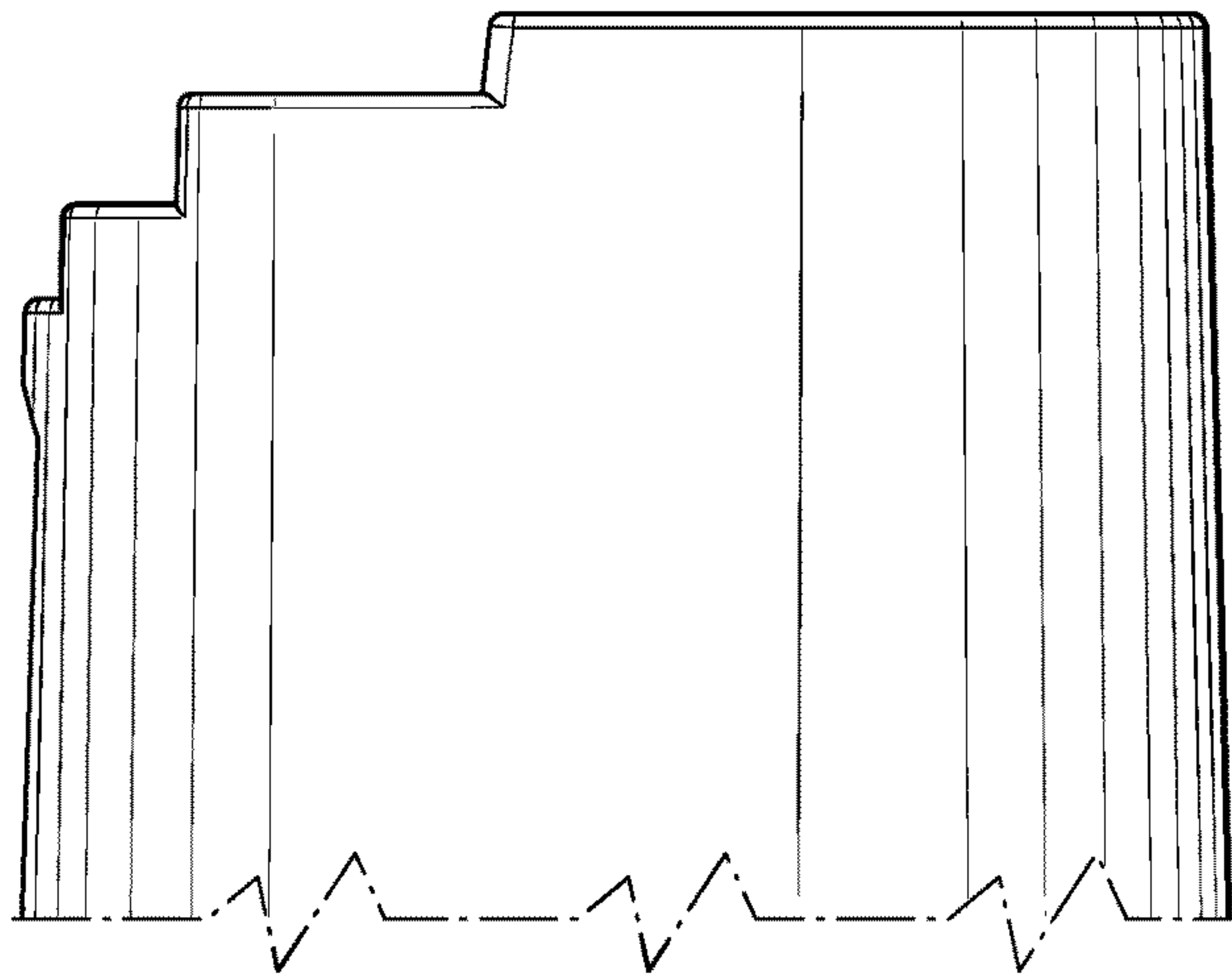


FIG. 9

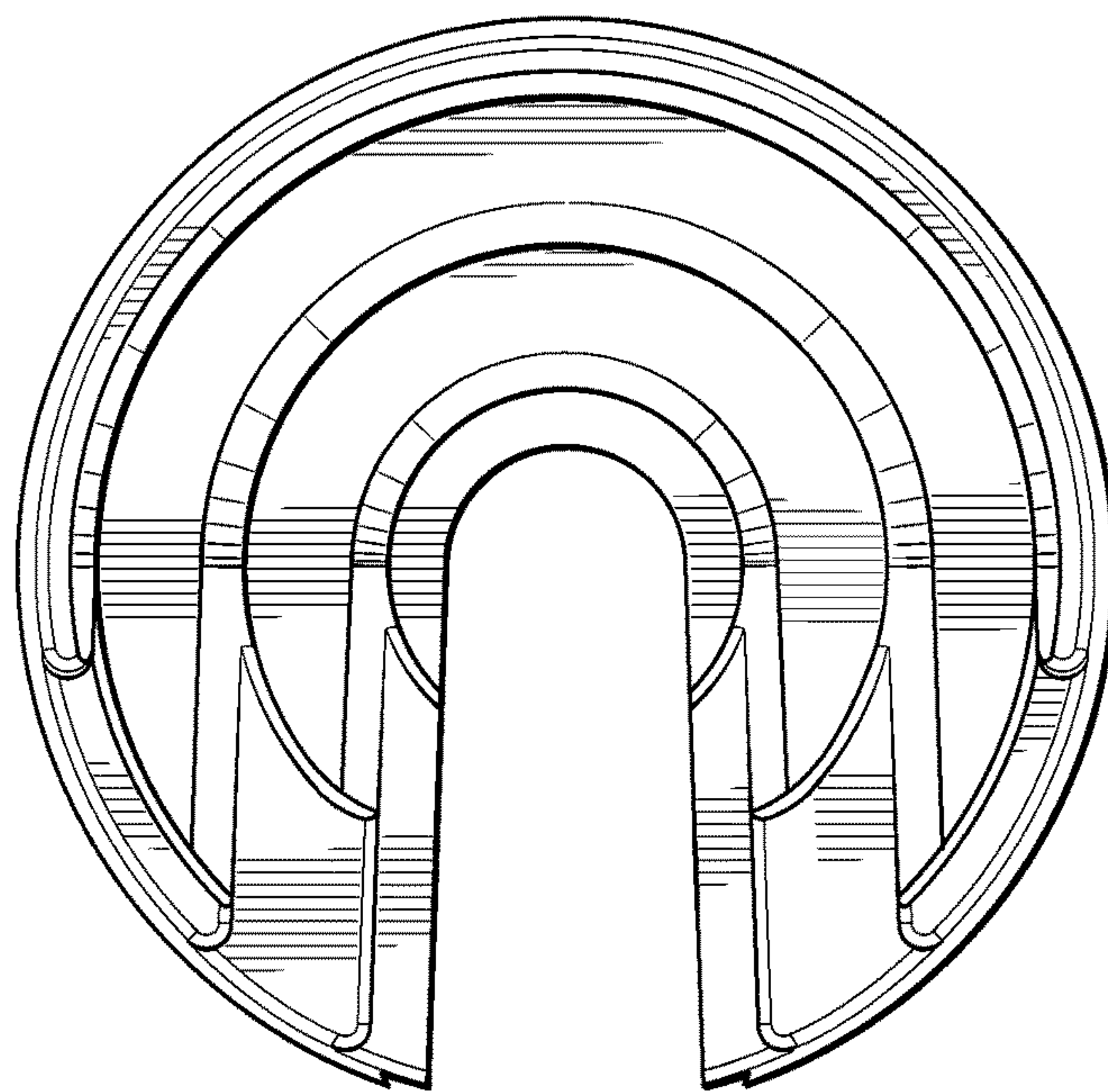


FIG. 10



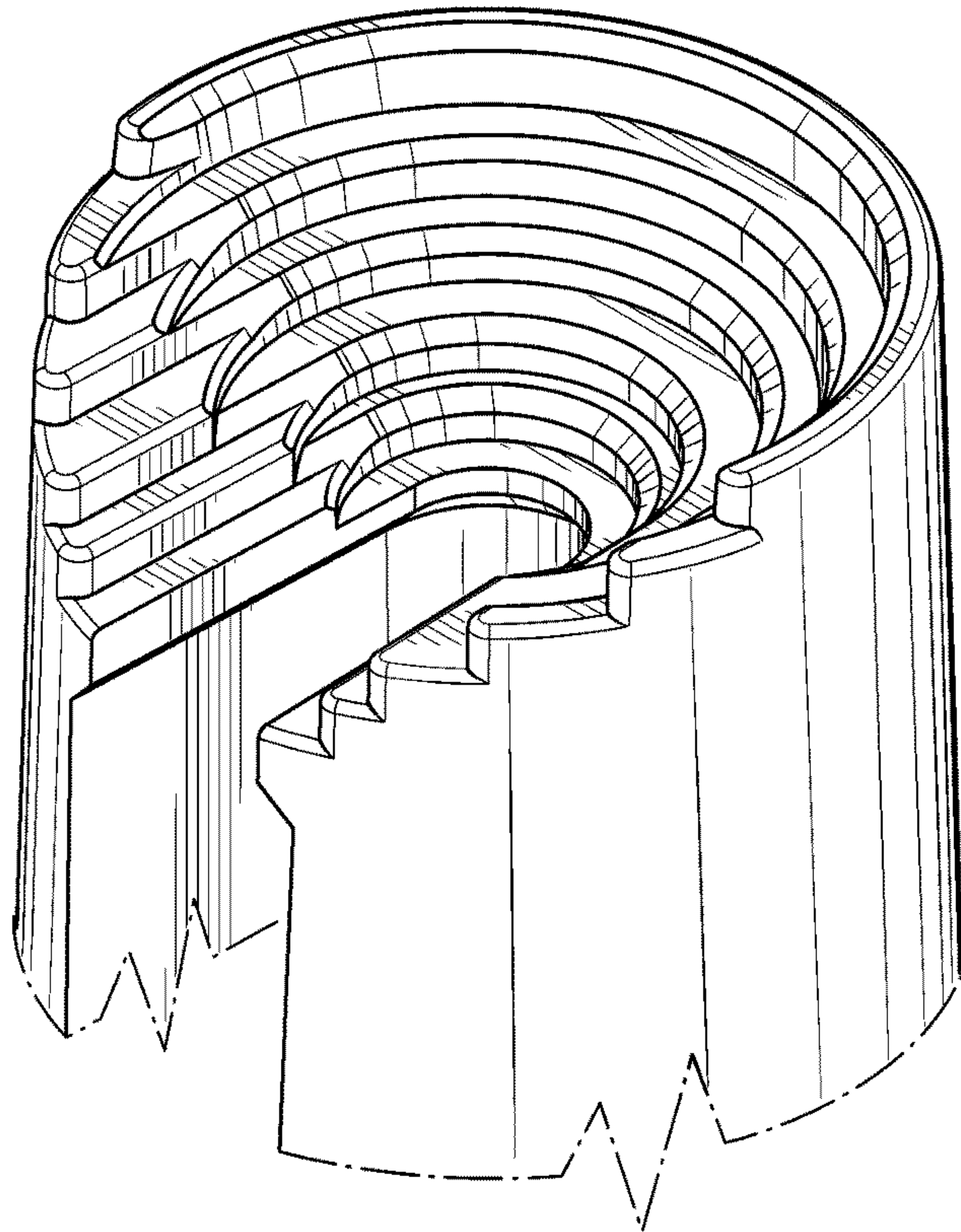


FIG. 11

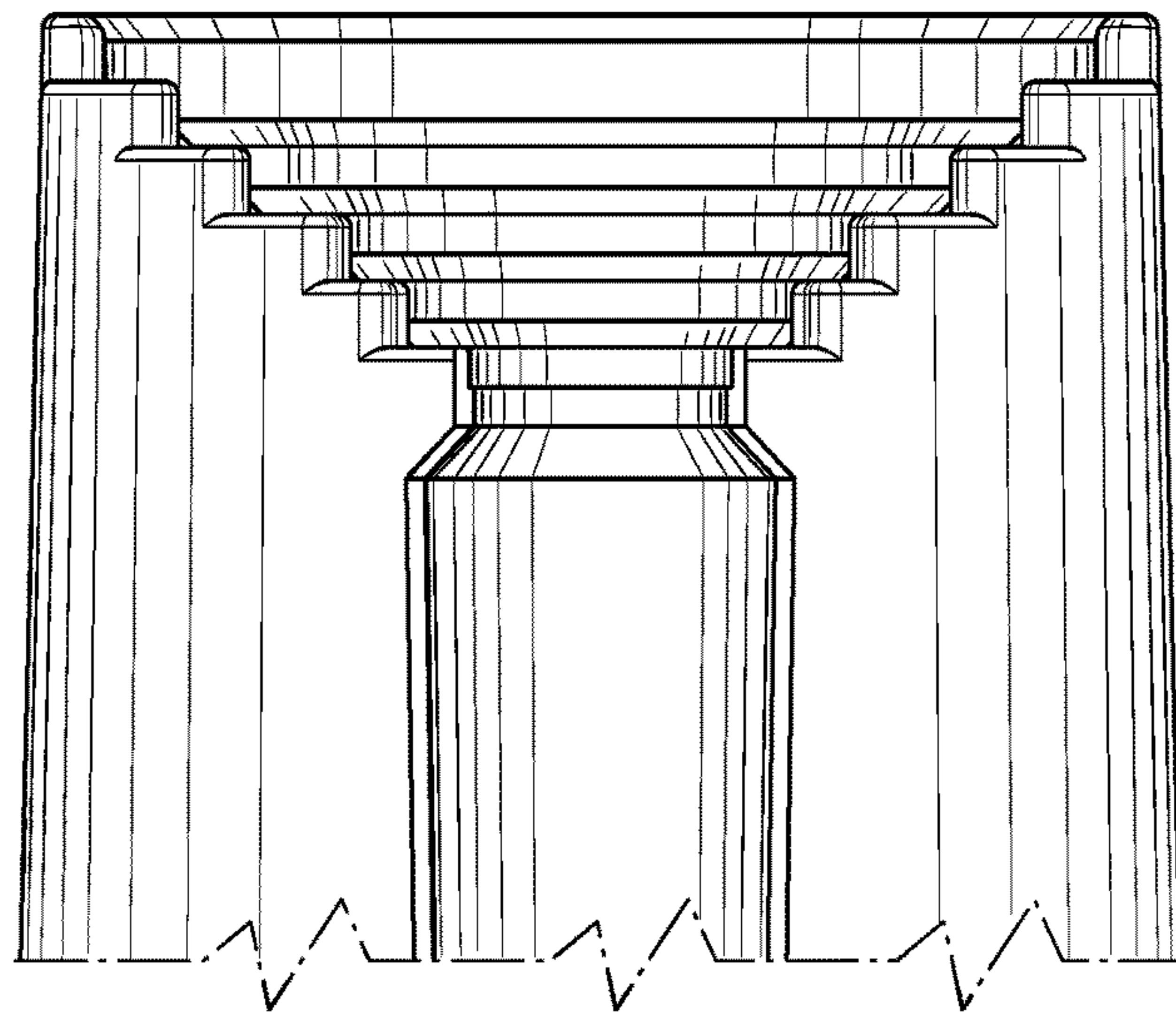


FIG. 12

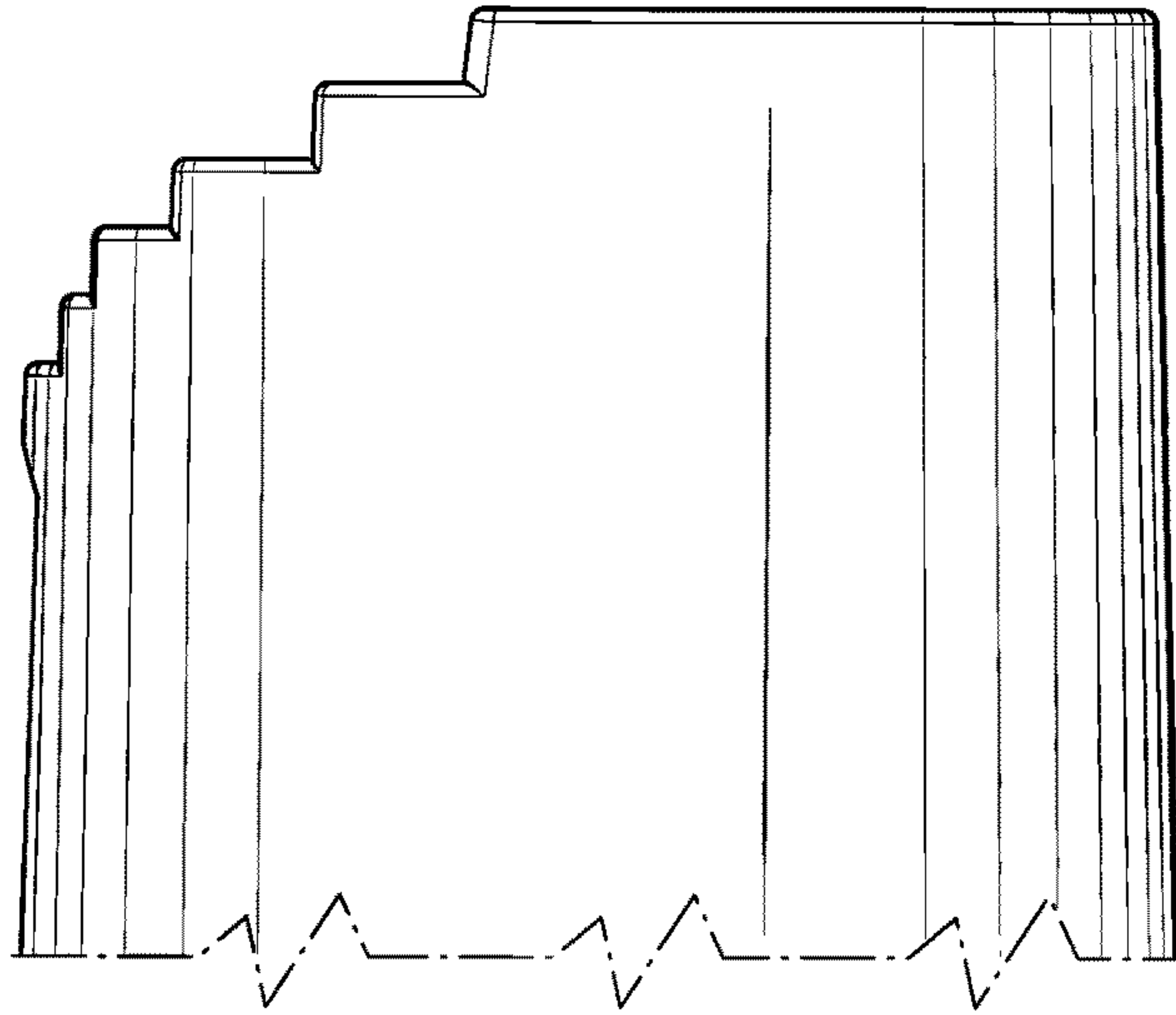


FIG. 13

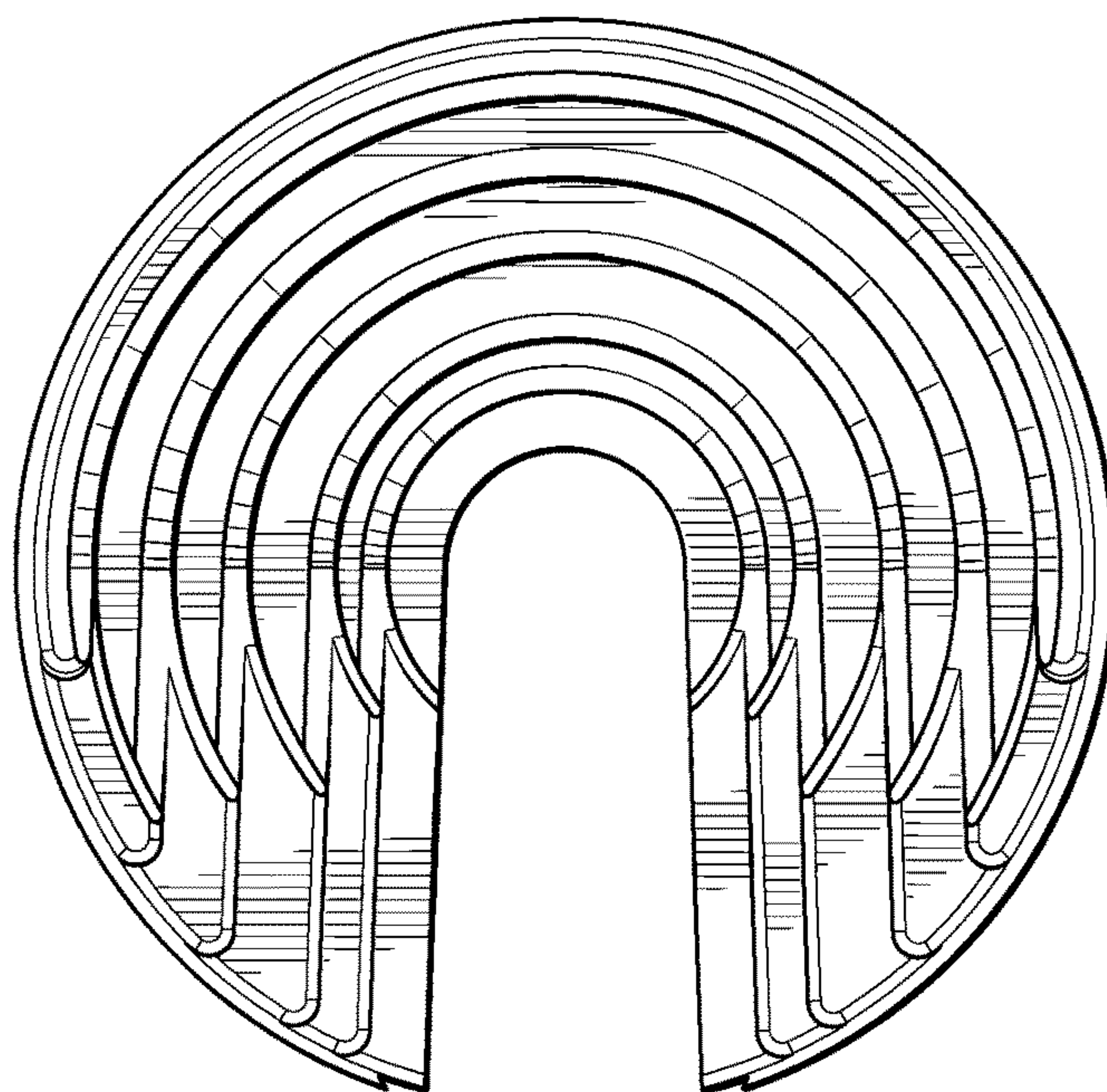


FIG. 14