



US00D836012S

(12) **United States Design Patent** (10) **Patent No.:** **US D836,012 S**
Ni et al. (45) **Date of Patent:** **** Dec. 18, 2018**

- (54) **IN-WALL HUMIDITY SENSOR**
- (71) Applicant: **Wenzhou MTLIC Electric Appliances Co., Ltd**, Yueqing, Zhejiang (CN)
- (72) Inventors: **Lidong Ni**, Yueqing (CN); **Wei Gao**, Yueqing (CN)
- (73) Assignee: **WENZHOU MTLIC ELECTRIC APPLIANCES CO., LTD**, Yueqing, Zhejiang (CN)
- (**) Term: **15 Years**
- (21) Appl. No.: **29/606,020**
- (22) Filed: **Jun. 1, 2017**
- (51) **LOC (11) Cl.** **10-04**
- (52) **U.S. Cl.**
 USPC **D10/53; D10/60; D13/162**
- (58) **Field of Classification Search**
 USPC **D10/52, 53, 56, 60; D13/162, 162.1, D13/177, 184**
 CPC .. **F24F 11/0015; F24F 11/001; F24F 11/0012; F24F 2011/0016; F24F 2011/0061; F24F 2011/0063; F24F 2011/0064; F24F 2011/0091; F24F 2011/0093; F24F 2011/0094; F24F 2221/17; F24F 2221/26; G05D 23/1902; G05D 23/1917; G05D 23/1909; G05D 23/1927; G05D 22/00; G05D 22/02**

See application file for complete search history.

- (56) **References Cited**
- U.S. PATENT DOCUMENTS
- | | | | |
|--------------|--------|---------------|-----------|
| D706,726 S * | 6/2014 | Mathew | D10/106.8 |
| D722,572 S * | 2/2015 | Moeller | D13/162 |
| D755,732 S * | 5/2016 | Moeller | D13/162 |
| D781,161 S * | 3/2017 | Ni | D10/53 |

* cited by examiner

Primary Examiner — Antoine Duval Davis
 (74) *Attorney, Agent, or Firm* — Ziegler IP Law Group, LLC

(57) **CLAIM**

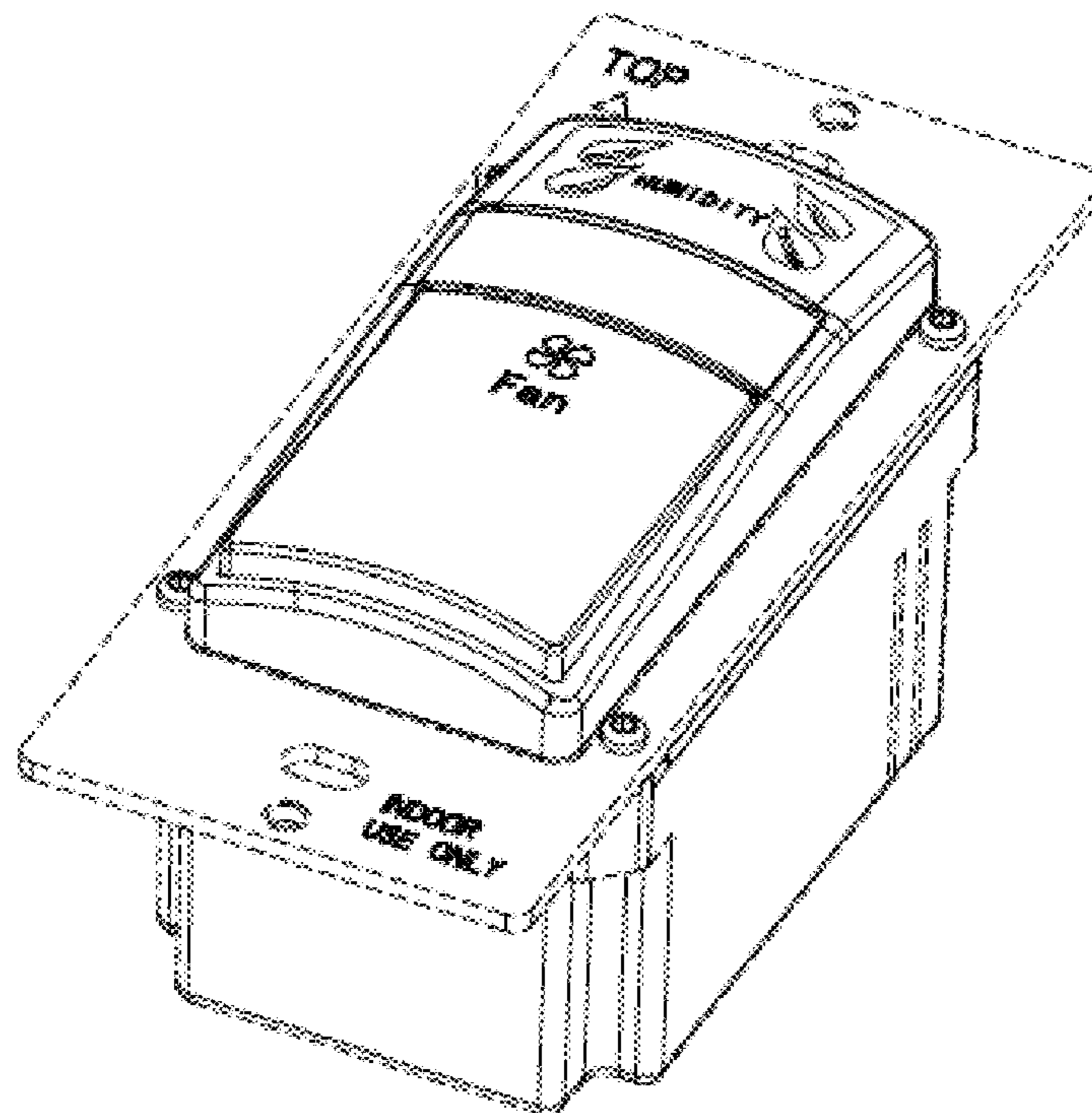
The ornamental design for an in-wall humidity sensor, as shown and described.

DESCRIPTION

FIG. 1 is a perspective view of one embodiment of an in-wall humidity sensor illustrating aspects of the new ornamental design;
 FIG. 2 is a front view thereof;
 FIG. 3 is a left side view thereof;
 FIG. 4 is a right side view thereof;
 FIG. 5 is a top view thereof;
 FIG. 6 is a bottom view thereof; and,
 FIG. 7 is a back view thereof.

The environmental structure shown with broken lines in the drawings forms no part of the claimed design.

1 Claim, 7 Drawing Sheets



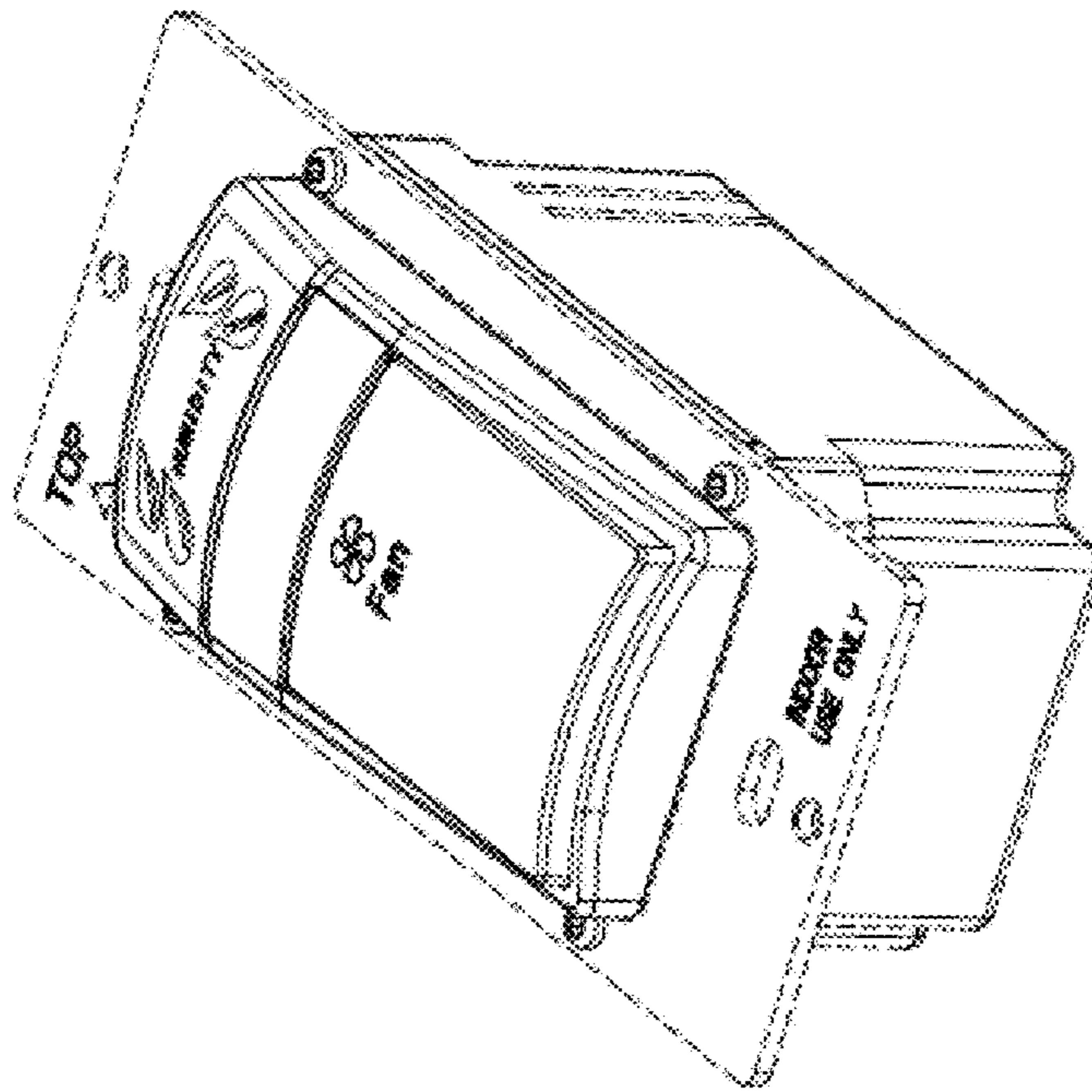
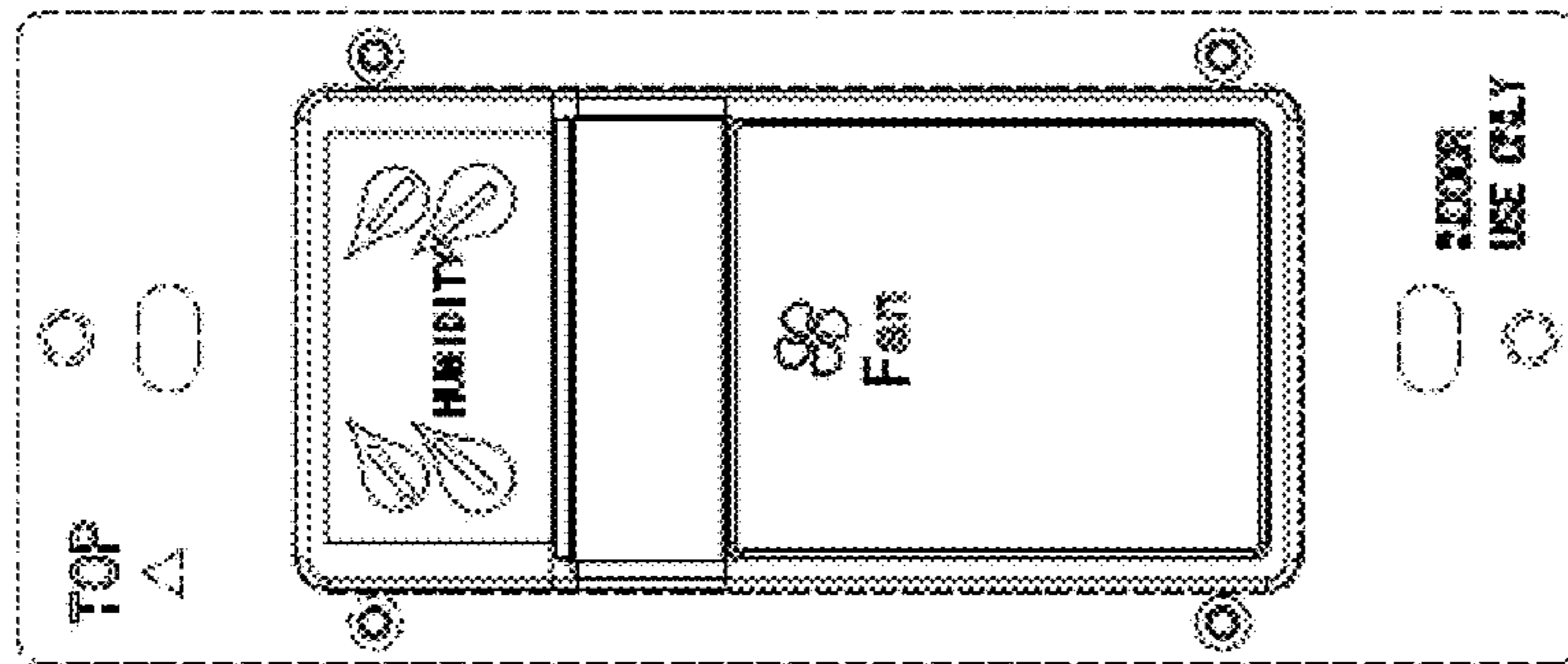


FIG. 1



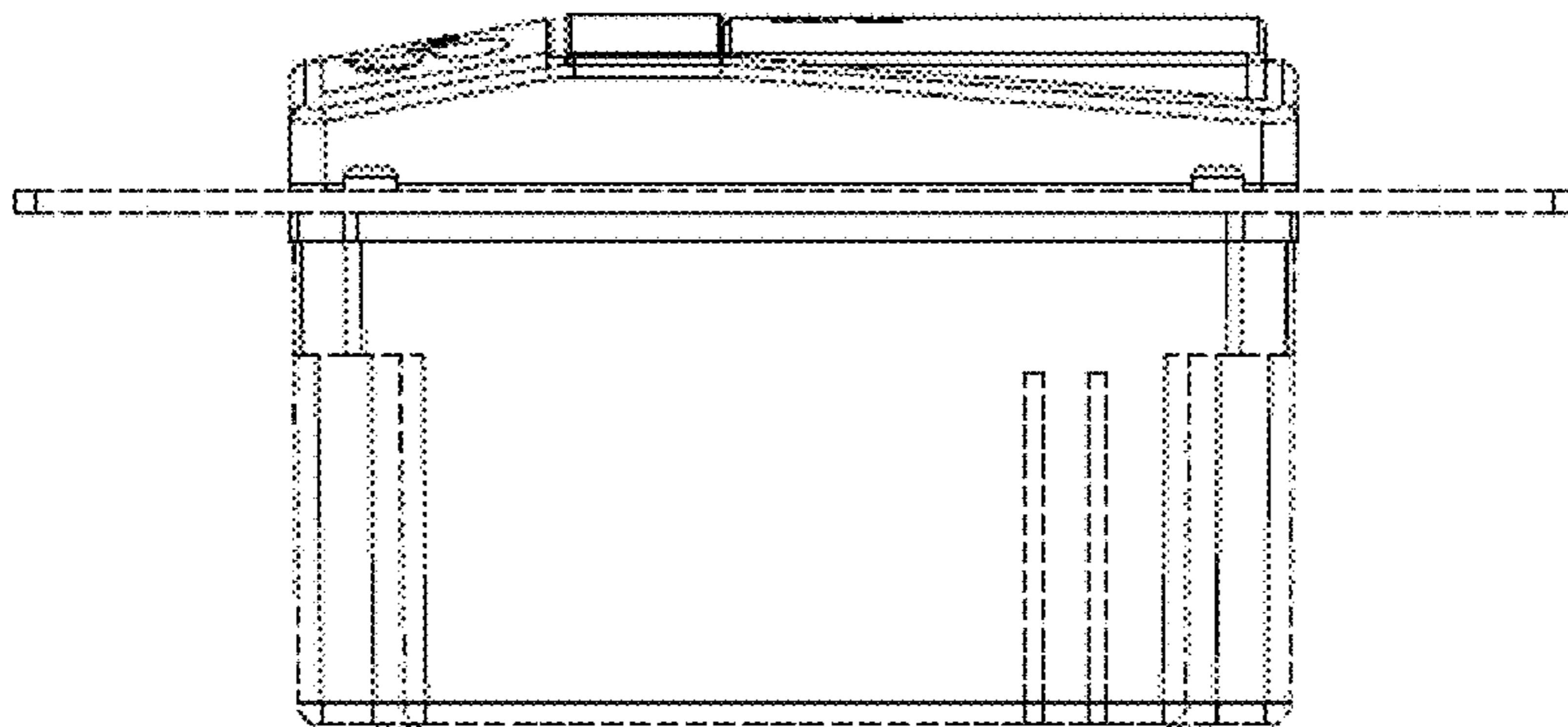


FIG. 3

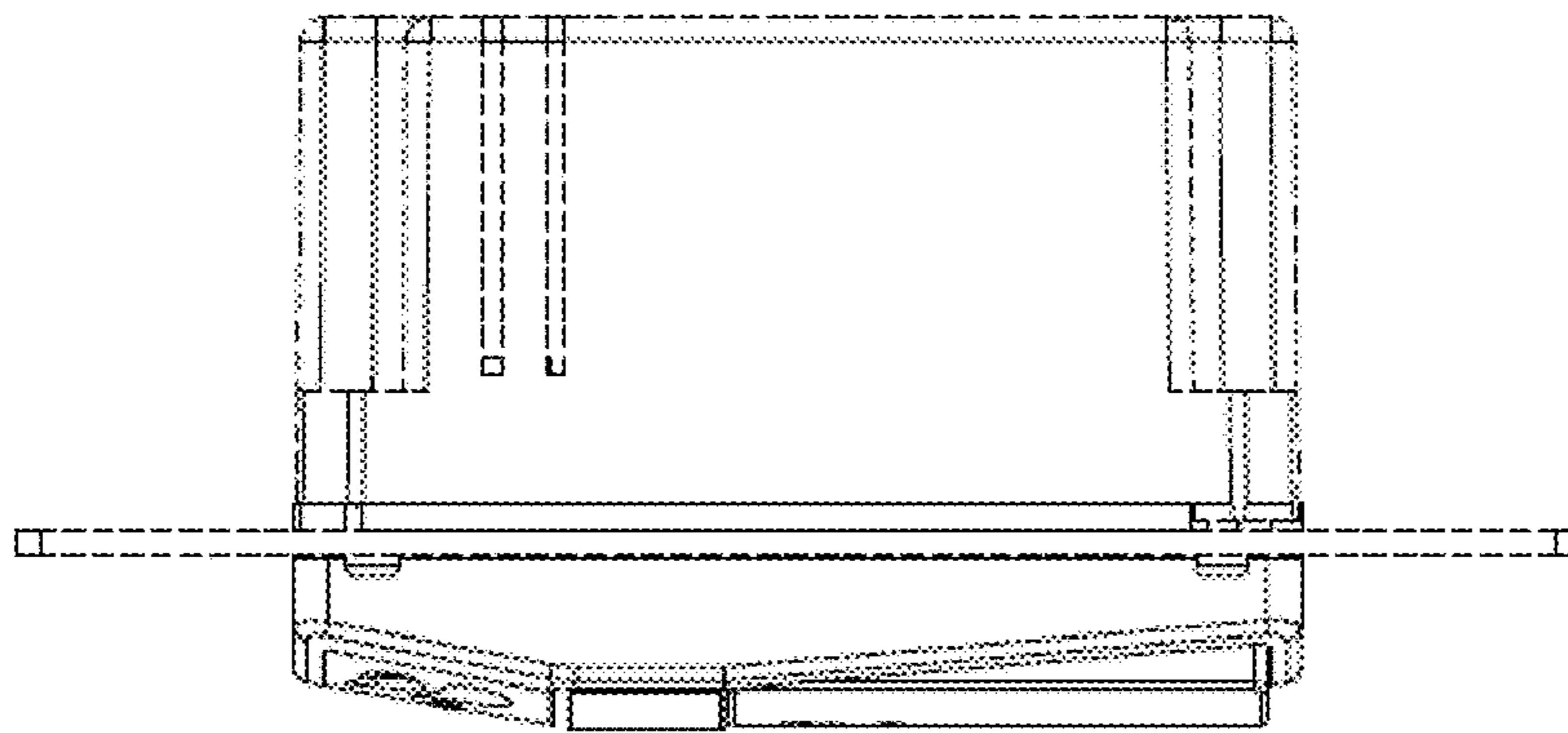


FIG. 4

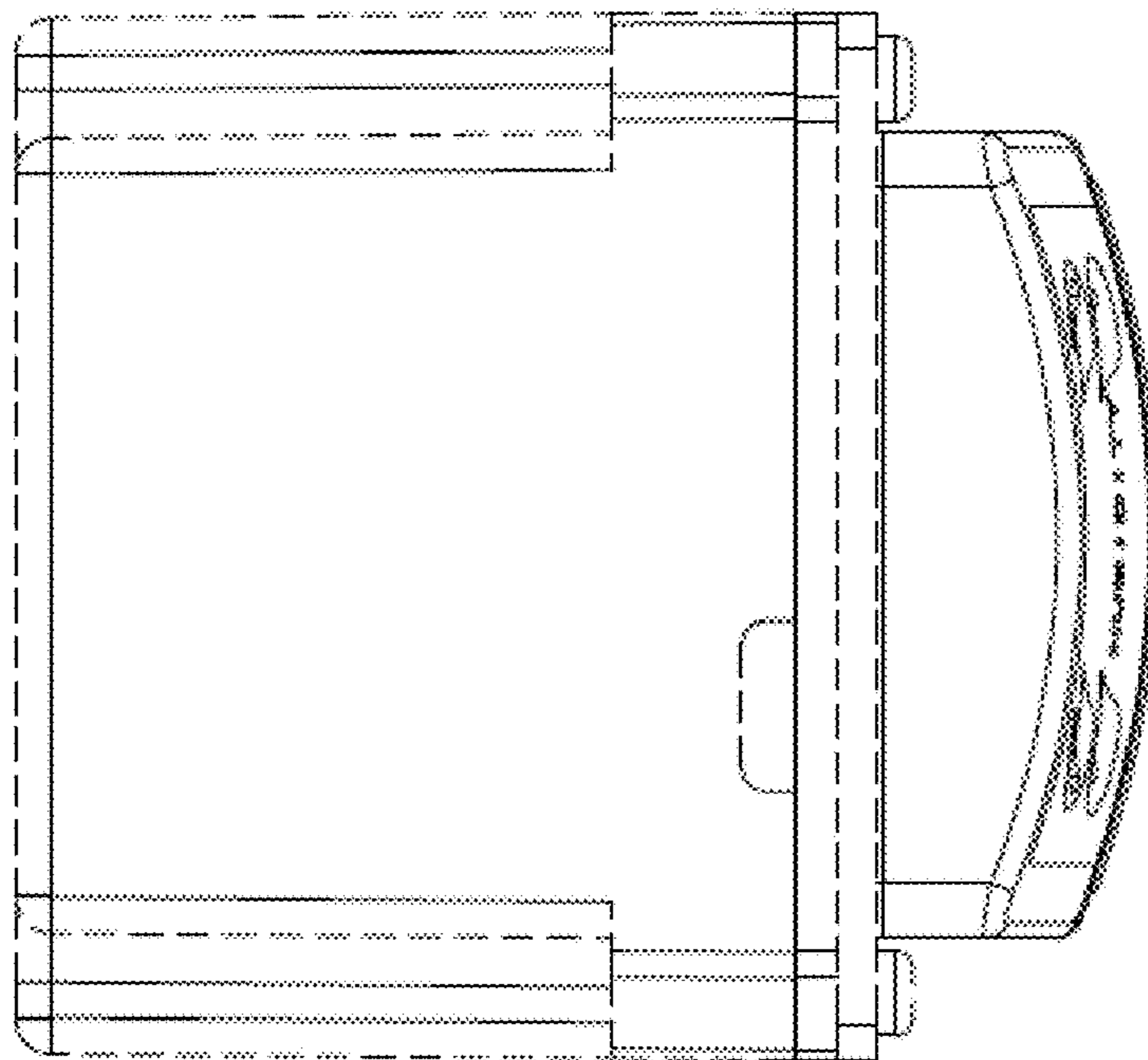


FIG. 5

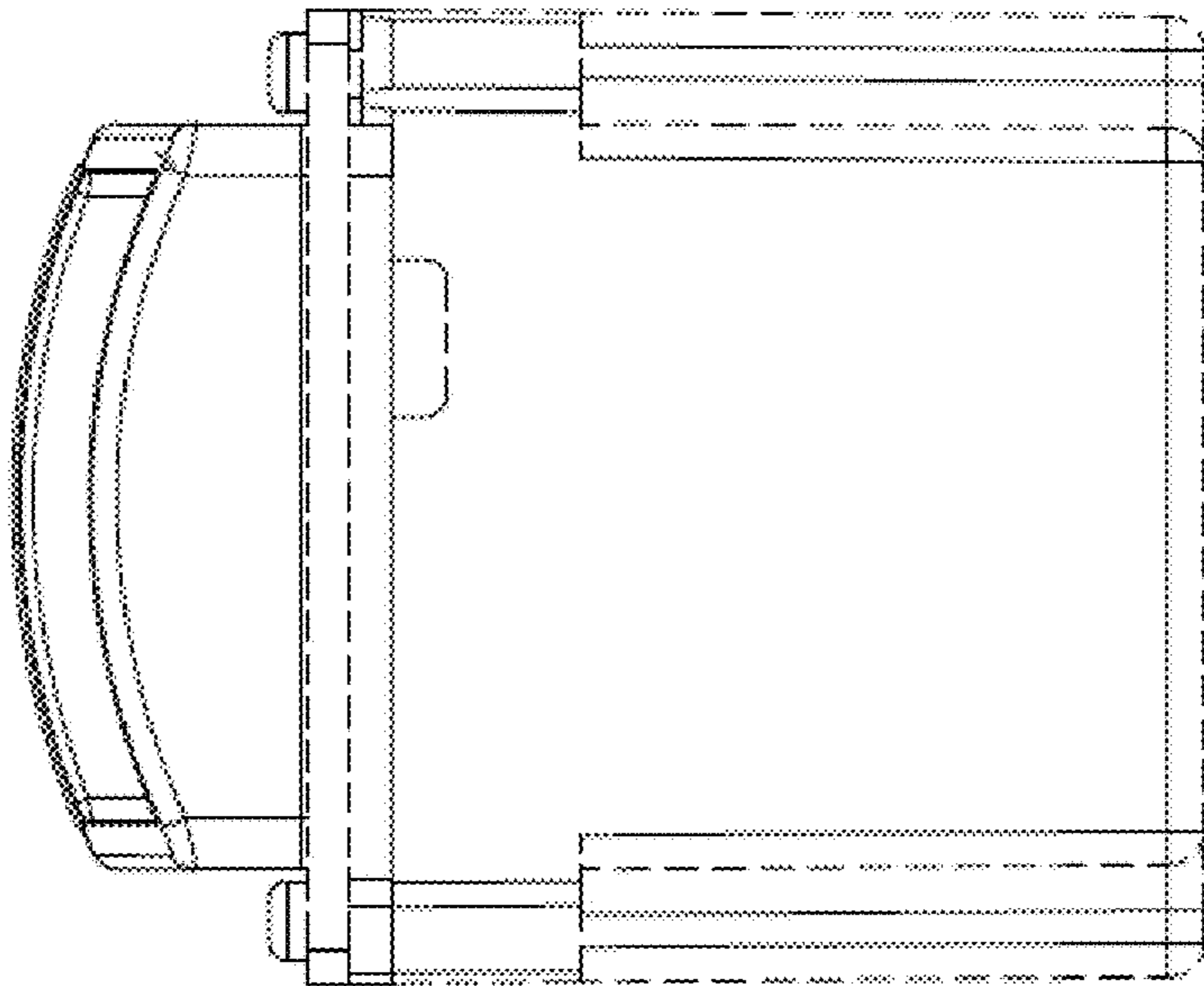


FIG. 6

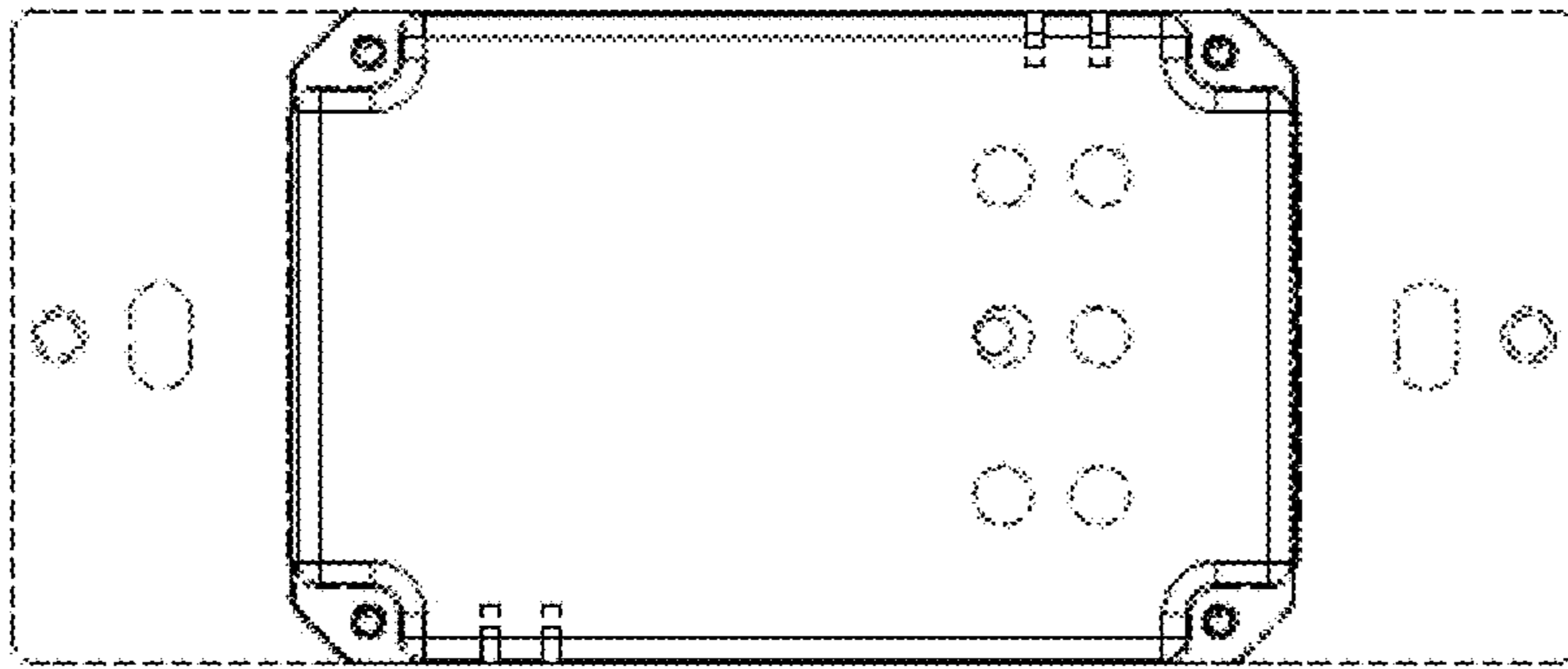


FIG. 7