



US00D836011S

(12) **United States Design Patent** (10) **Patent No.:** **US D836,011 S**
Ni et al. (45) **Date of Patent:** **** Dec. 18, 2018**

(54) **IN-WALL HUMIDITY SENSOR**

(56) **References Cited**

(71) Applicant: **Wenzhou MTLIC Electric Appliances Co., Ltd.**, Yueqing, Zhejiang (CN)

U.S. PATENT DOCUMENTS

(72) Inventors: **Lidong Ni**, Yueqing (CN); **Wei Gao**, Yueqing (CN)

D706,726 S * 6/2014 Mathew D10/106.8
D722,572 S * 2/2015 Moeller D13/162
D755,732 S * 5/2016 Moeller D13/162
D781,161 S * 3/2017 Ni D10/53

(73) Assignee: **WENZHOU MTLIC ELECTRIC APPLIANCES CO., LTD**, Yueqing, Zhejiang (CN)

* cited by examiner

(**) Term: **15 Years**

Primary Examiner — Antoine Duval Davis
(74) *Attorney, Agent, or Firm* — Ziegler IP Law Group, LLC

(21) Appl. No.: **29/606,019**

(57) **CLAIM**

(22) Filed: **Jun. 1, 2017**

The ornamental design for an in-wall humidity sensor, as shown and described.

(51) **LOC (11) Cl.** **10-04**

DESCRIPTION

(52) **U.S. Cl.**

USPC **D10/53**; D10/60; D13/162

(58) **Field of Classification Search**

USPC D10/52, 53, 56, 60; D13/162, 162.1, D13/177, 184

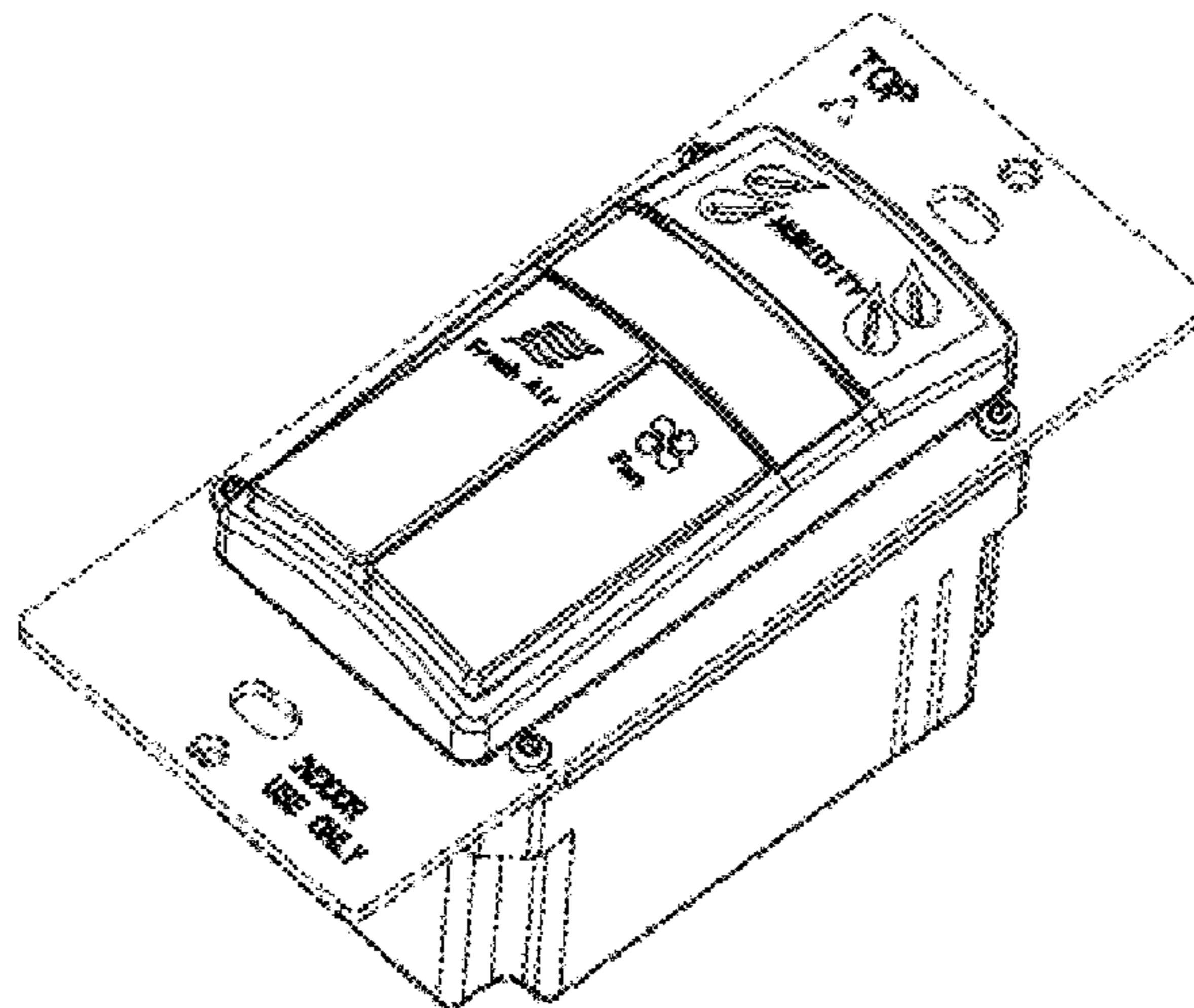
CPC .. F24F 11/0015; F24F 11/001; F24F 11/0012;
F24F 2011/0016; F24F 2011/0061; F24F
2011/0063; F24F 2011/0064; F24F
2011/0091; F24F 2011/0093; F24F
2011/0094; F24F 2221/17; F24F 2221/26;
G05D 23/1902; G05D 23/1917; G05D
23/1909; G05D 23/1927; G05D 22/00;
G05D 22/02

FIG. 1 is a perspective view of one embodiment of an in-wall humidity sensor incorporating aspects of the new ornamental design;
FIG. 2 is a front view thereof;
FIG. 3 is a left side view thereof;
FIG. 4 is a right side view thereof;
FIG. 5 is a top view thereof;
FIG. 6 is a bottom view thereof; and,
FIG. 7 is a back view thereof.

The environmental structure shown with broken lines in the drawings forms no part of the claimed design.

See application file for complete search history.

1 Claim, 7 Drawing Sheets



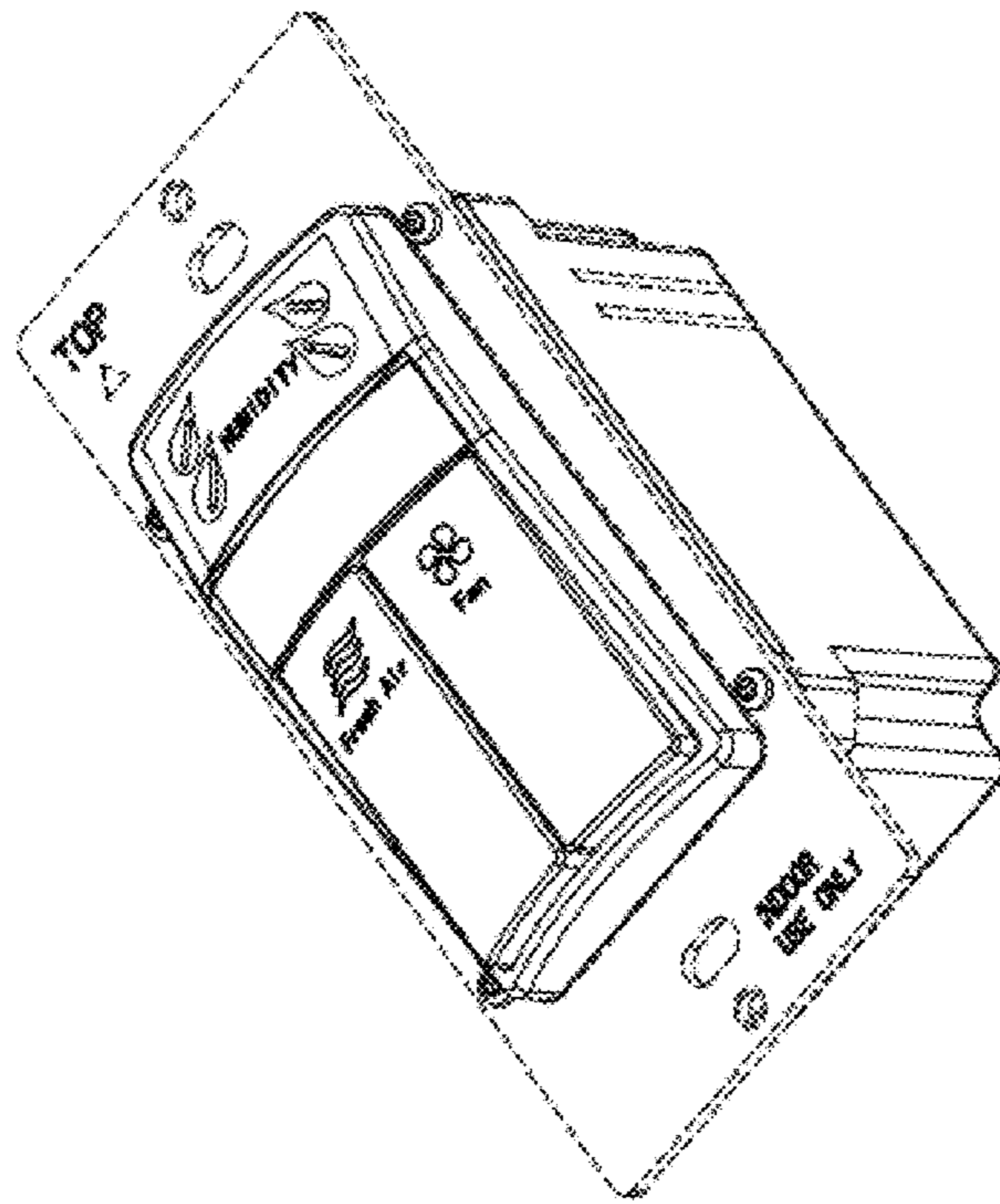


FIG. 1

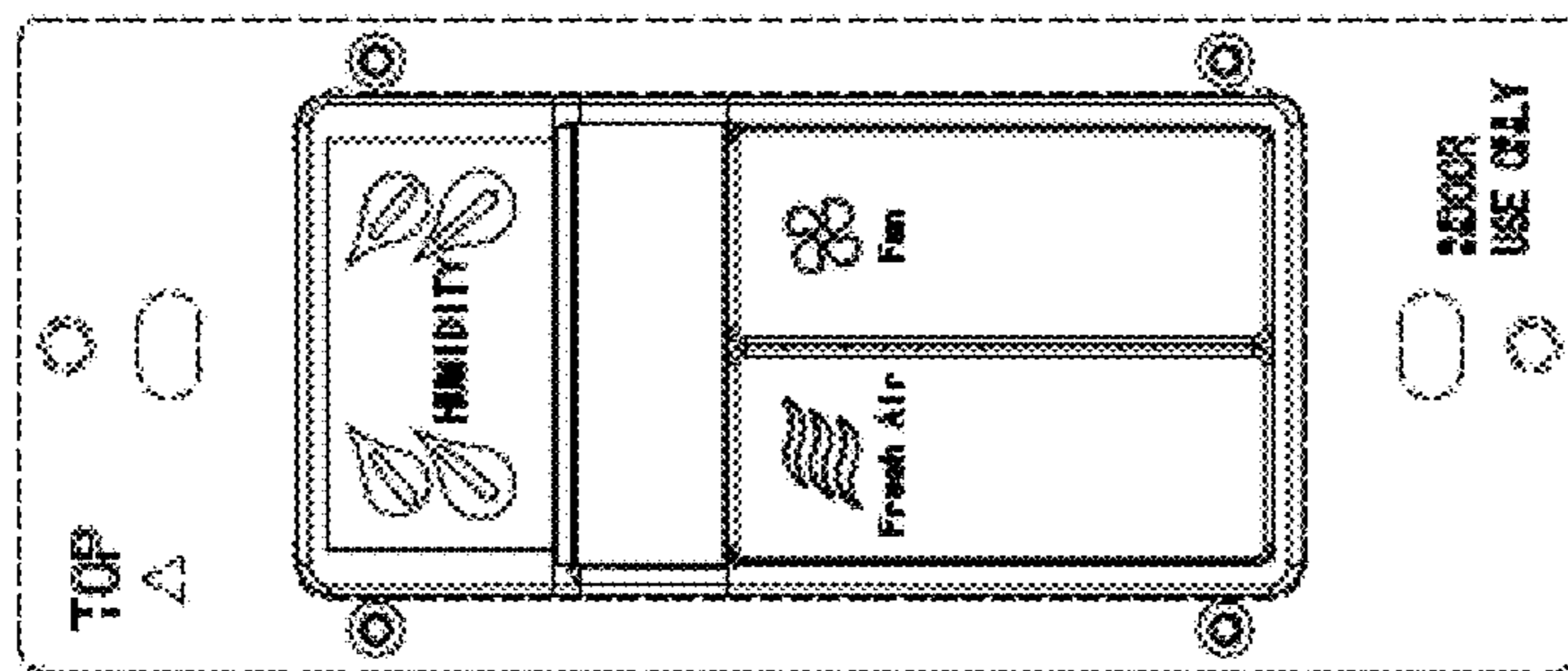


FIG. 2

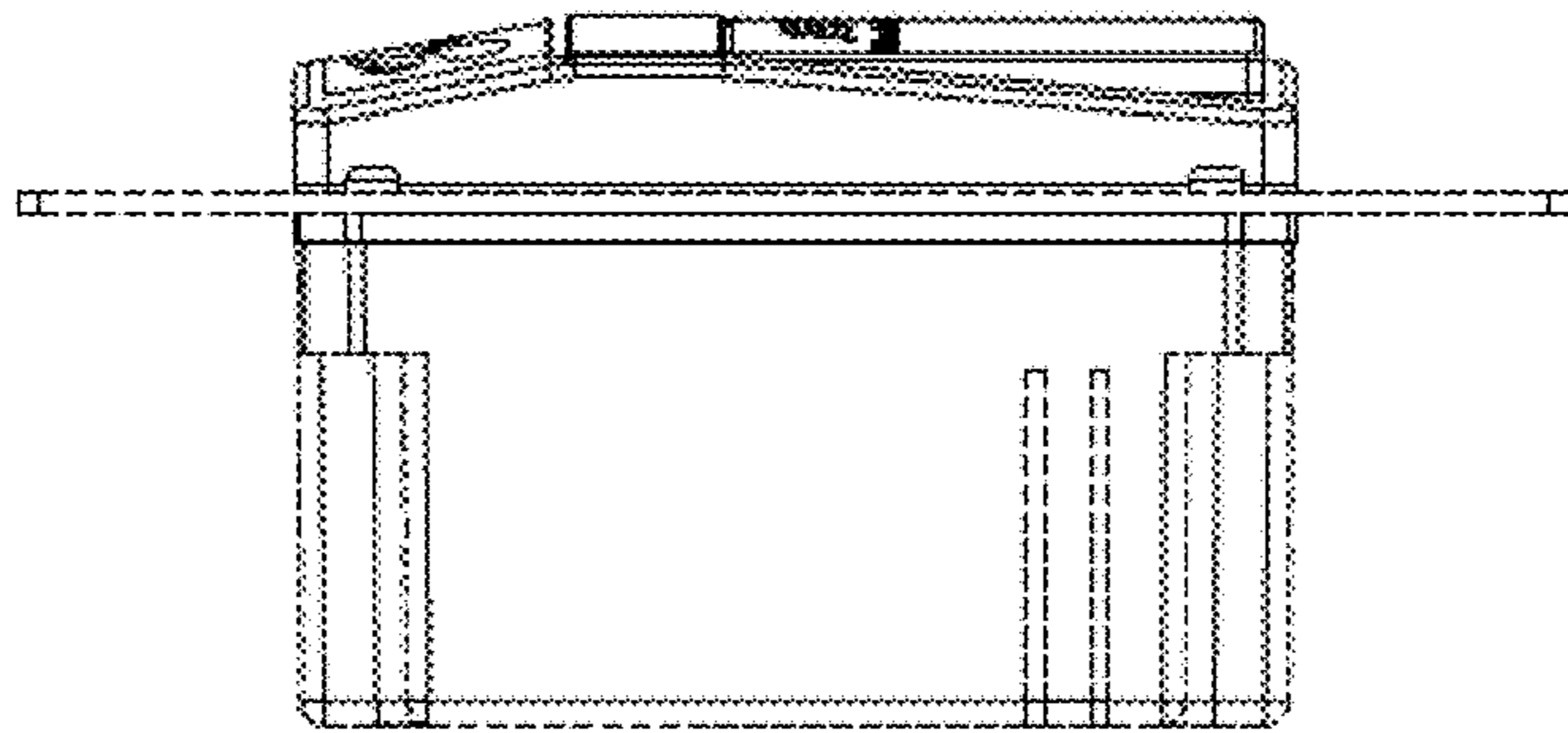


FIG. 3

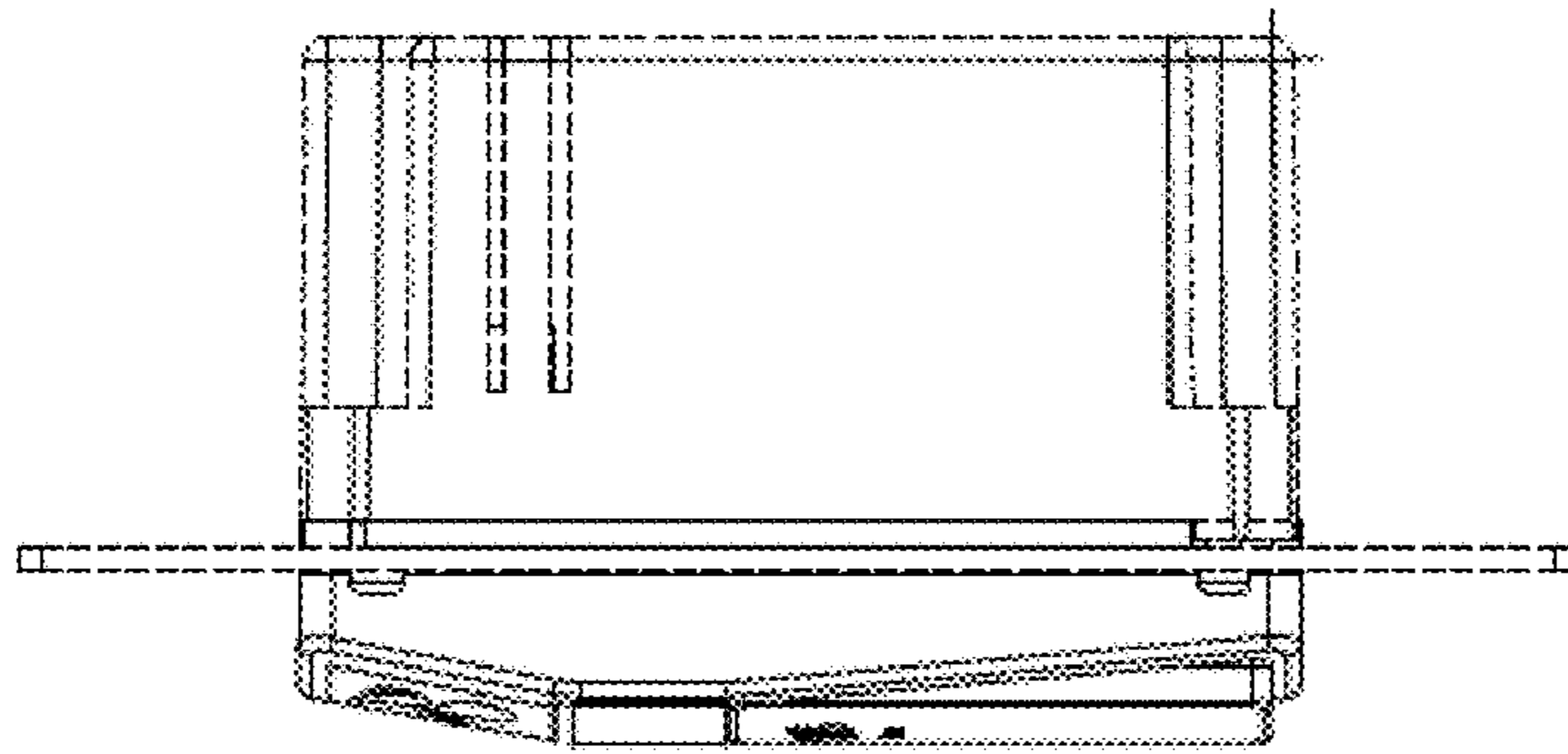


FIG. 4

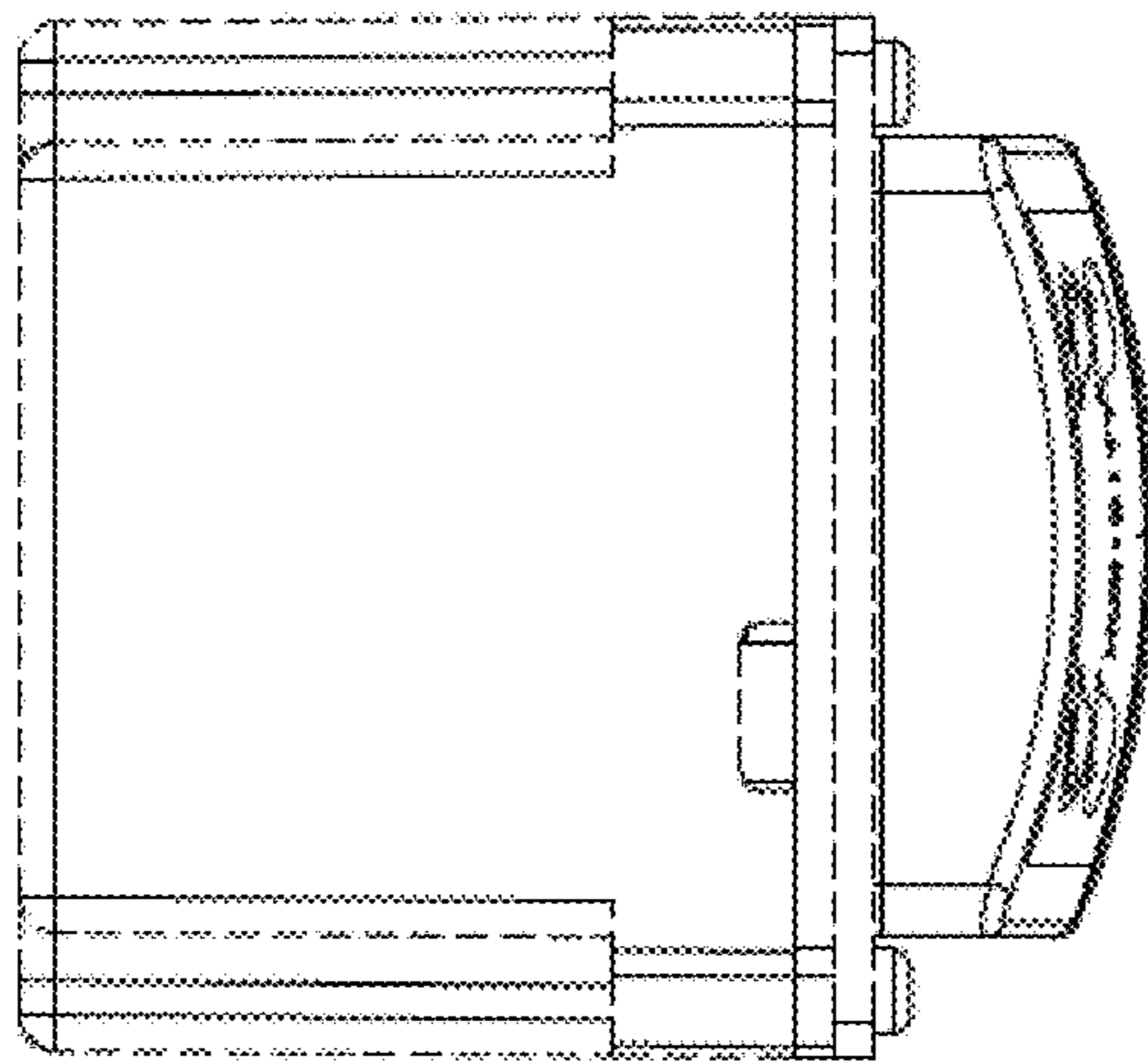


FIG. 5

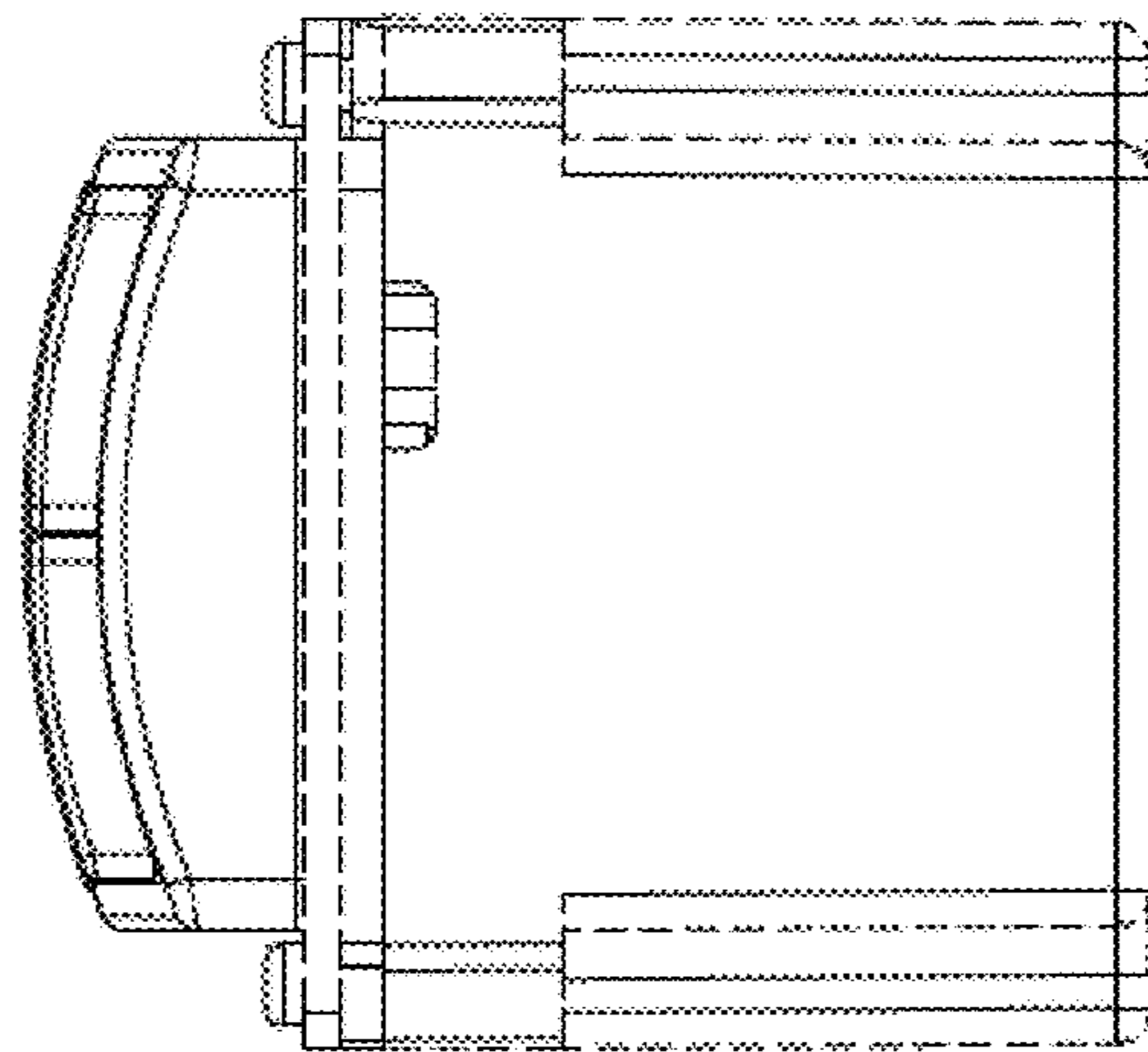


FIG. 6

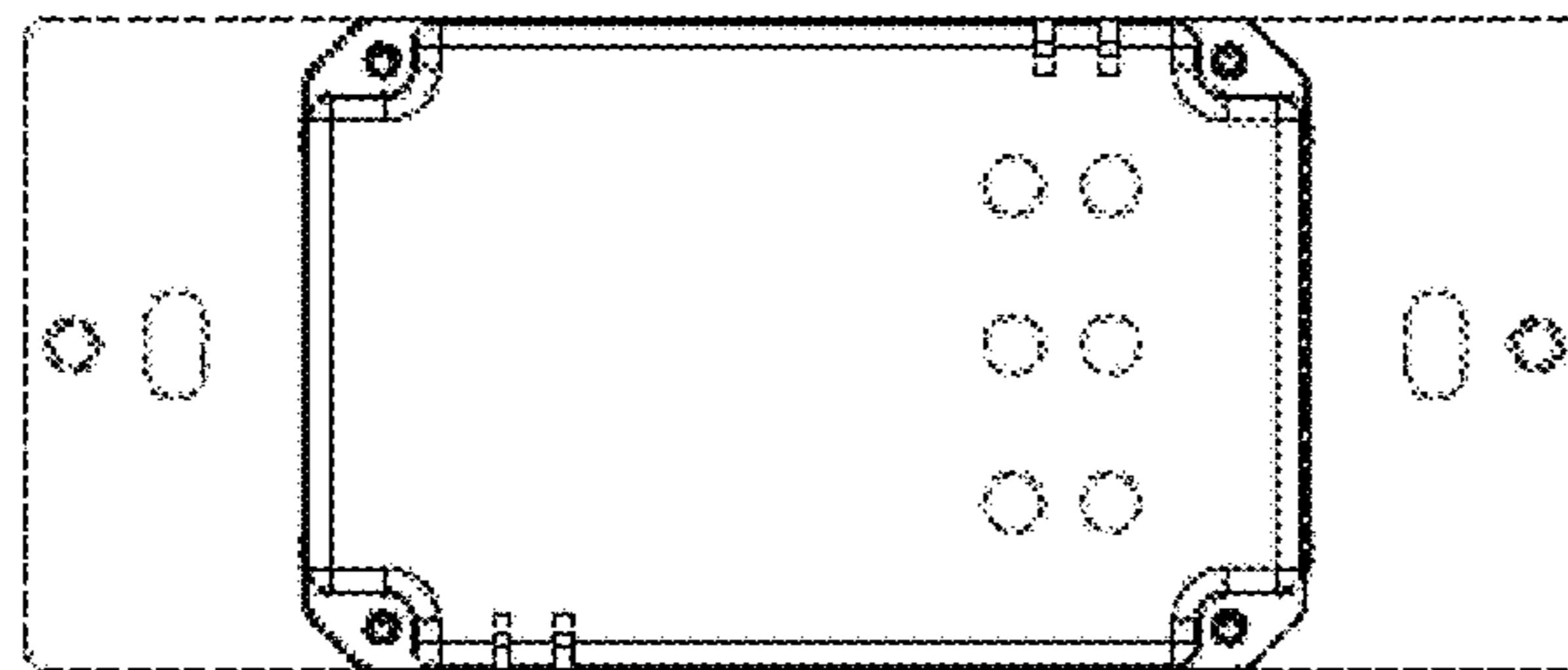


FIG. 7