



US00D836009S

(12) **United States Design Patent** (10) **Patent No.:** **US D836,009 S**
Thoren et al. (45) **Date of Patent:** **** Dec. 18, 2018**

(54) **HVAC CONTROL DEVICE**

(71) Applicant: **Daikin Manufacturing Company, L.P.**, Waller, TX (US)

(72) Inventors: **Dennis Thoren**, Lindale, TX (US); **Tao Jia**, Mooresville, NC (US); **Jacky Chen**, Katy, TX (US); **Chris Bellshaw**, Houston, TX (US); **Shawn Beus**, Houston, TX (US); **Kelly Hearnberger**, Katy, TX (US); **Ryohei Hinokuma**, Foster City, CA (US); **Fred Bould**, Menlo Park, CA (US); **Jeremy Wolf**, San Francisco, CA (US); **Byron Lee**, San Mateo, CA (US); **Jamie S. Perin**, San Francisco, CA (US)

(73) Assignee: **DAIKIN MANUFACTURING COMPANY, L.P.**, Houston, TX (US)

(**) Term: **15 Years**

(21) Appl. No.: **29/608,989**

(22) Filed: **Jun. 27, 2017**

(51) **LOC (11) Cl.** **10-04**

(52) **U.S. Cl.**
USPC **D10/50; D10/60; D13/162.1; D13/177**

(58) **Field of Classification Search**
USPC **D10/49, 50, 60, 102, 103; D13/162, D13/162.1, 177**

(Continued)

(56) **References Cited**

U.S. PATENT DOCUMENTS

D251,482 S * 4/1979 Sugiyama D10/102
D270,815 S * 10/1983 Odom D10/50

(Continued)

Primary Examiner — Antoine Duval Davis

(74) *Attorney, Agent, or Firm* — Manish Vyas

(57) **CLAIM**

The ornamental design for an HVAC control device, as shown and described.

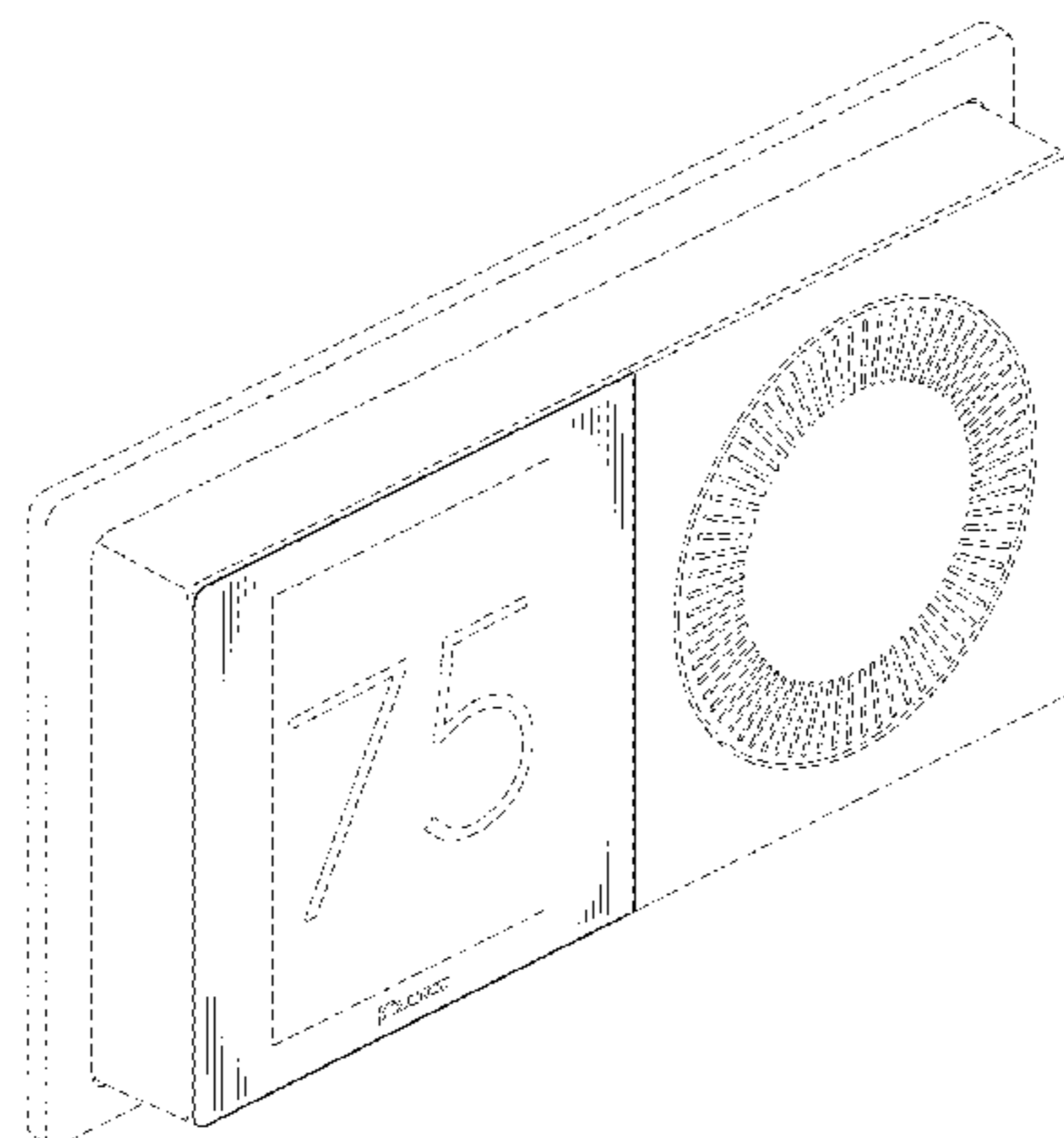
DESCRIPTION

FIG. 1 is a front view of an HVAC control device showing the new design;
FIG. 2 is a right side view thereof;
FIG. 3 is a left side view thereof;
FIG. 4 is a bottom view thereof;
FIG. 5 is a top view thereof;
FIG. 6 is a rear view thereof;
FIG. 7 is a front perspective view thereof;
FIG. 8 is a front view of an HVAC control device showing a second embodiment of the new design;
FIG. 9 is a front perspective view thereof;
FIG. 10 is a front view of an HVAC control device showing a third embodiment of the new design;
FIG. 11 is a right side view thereof;
FIG. 12 is a left side view thereof;
FIG. 13 is a bottom view thereof;
FIG. 14 is a top view thereof;
FIG. 15 is a rear view thereof;
FIG. 16 is a front perspective view thereof;
FIG. 17 is front view of an HVAC control device showing a fourth embodiment of the new design;
FIG. 18 is a front perspective view thereof;
FIG. 19 is a front view of an HVAC control device showing a fifth embodiment of the new design;
FIG. 20 is a right side view thereof;
FIG. 21 is a left side view thereof;
FIG. 22 is a bottom view thereof;
FIG. 23 is a top view thereof;
FIG. 24 is a rear view thereof;
FIG. 25 is a front perspective view thereof;
FIG. 26 is a front view of an HVAC control device showing a sixth embodiment of the new design; and,
FIG. 27 is a front perspective view thereof.

The dashed broken lines represent structures, features or the environment that form no part of the claimed design.

The Inventors and the Applicant regard the disclosed design as including the overall appearance shown in FIGS. 1-27 and any parts, elements, or portions thereof—reserving, among

(Continued)



other things, the right to claim any combinations of these parts, elements, or portions, and the right to replace any solid line with a broken line or to replace any broken line with a solid line.

1 Claim, 21 Drawing Sheets

(58) Field of Classification Search

CPC H03J 1/0025; H03J 9/00; H03J 9/02; H03J 9/04; H03J 9/06; H01H 2009/187; H01H 9/02; H01H 9/0214; H01H 9/0242; H01H 9/18; H05B 37/02; H05B 37/0272; H05B 39/088; H05B 33/0815; H05B 33/0854; H05B 37/0218; H05B 37/0245; G08C 17/00; G08C 17/02; G08C 19/28; G08C 23/02; G08C 23/04; H04M 1/0262; H04M 1/0266; H04M 2250/12; H04M 2250/22; H05K 5/0017; H05K 5/0243; H05K 5/00; H05K 5/03; G02F 1/1333; G06F 1/1626; G06F 3/0488; G06F 1/1684; G06F 1/30; G06F 3/0362; G06F 3/038; H01M 2/1061; H02J 3/14; H02J 2003/003; Y02B 70/3225; Y10T 307/944; Y10T 307/438; Y04S 10/54; Y04S

20/222; F23N 5/20; F23N 5/203; F23N 5/206; F23N 5/18; F23N 5/184; F23N 5/187; F23N 5/22; F23N 2025/12; F23N 2041/02; F24F 11/00; F24F 11/0012; F24F 11/0009; F24F 11/001; F24F 2011/0057; F24F 2011/0073; F24F 2011/0091; F24F 2011/0094; F24F 2011/0068; F24F 2011/0012; F24F 2011/0015; F24F 2011/0017; F21V 11/16; F21V 33/10; G05B 19/042; G05D 23/01; G05D 23/12; G05D 23/275; G05D 23/1902; G05D 23/1904; G05D 23/27502; G05D 23/27503; G05D 23/1919; G05D 23/19; G05D 23/2723; G05D 23/00; G09F 13/22; G09F 9/53

See application file for complete search history.

(56)

References Cited

U.S. PATENT DOCUMENTS

D614,976 S * 5/2010 Skafdrup D10/50
D723,948 S * 3/2015 Baumgartner D10/50
D772,735 S * 11/2016 Mansueto D10/50
2017/0082313 A1 * 3/2017 Benichou F24F 11/0086

* cited by examiner

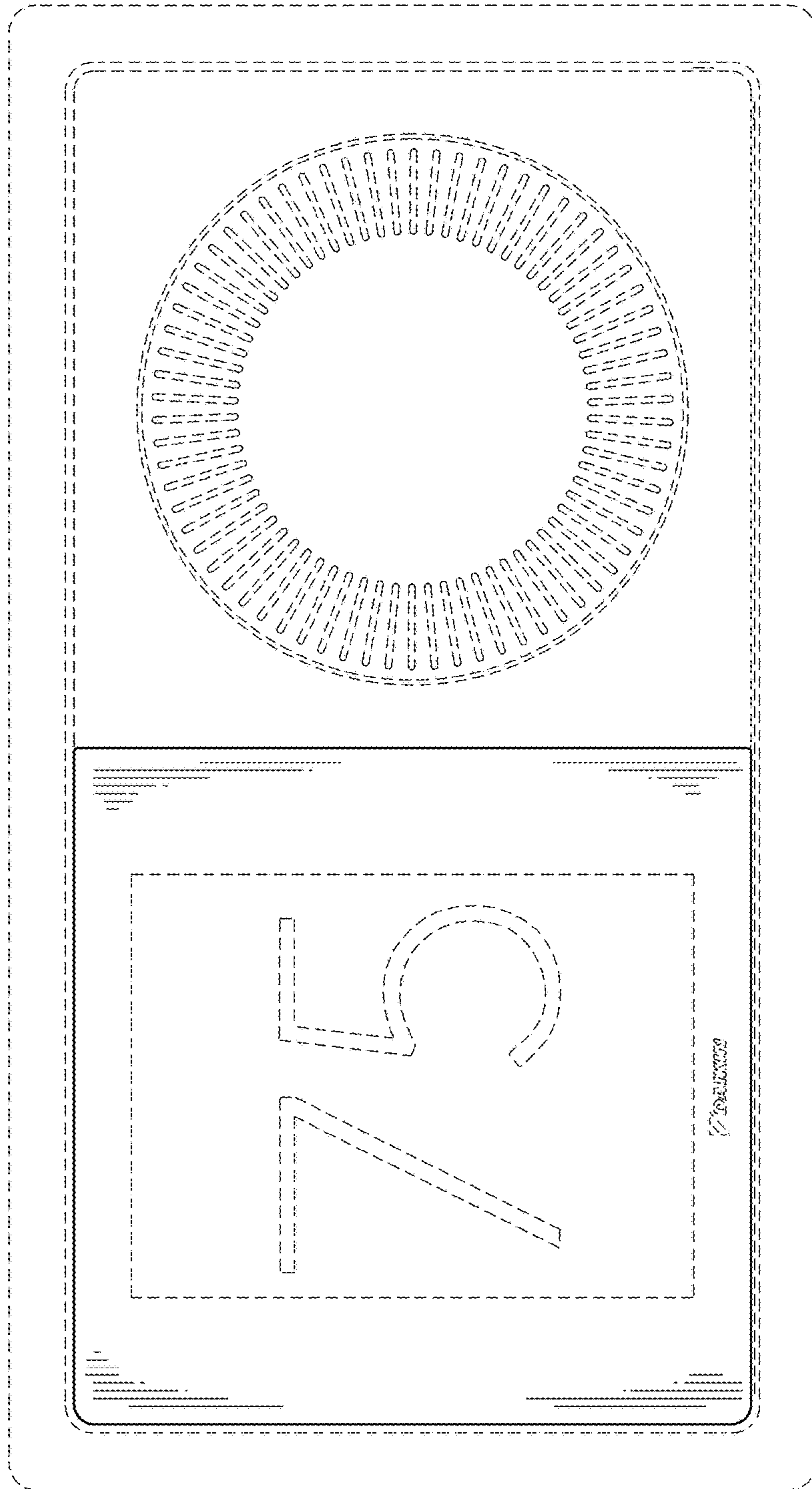


FIG. 1

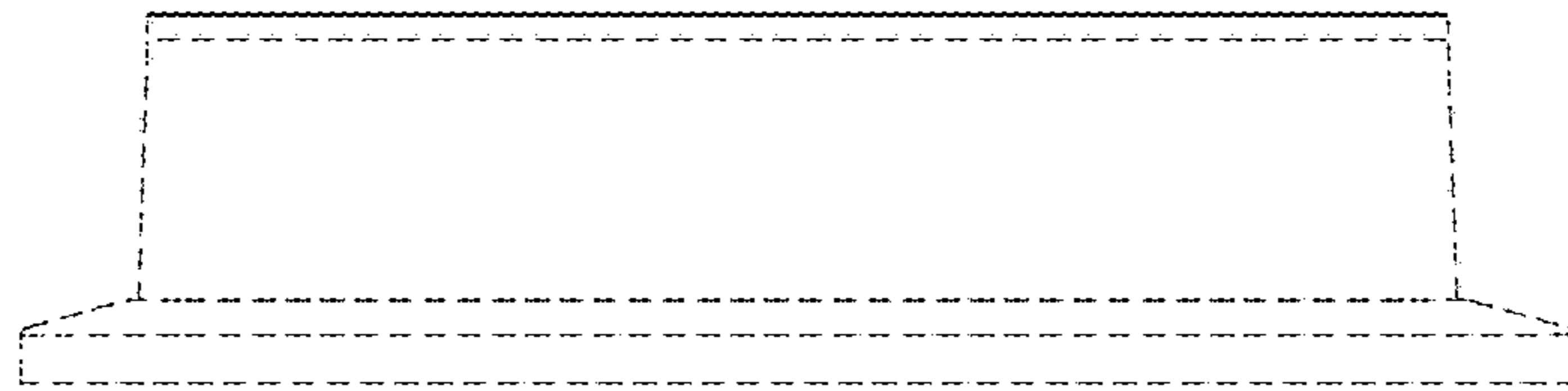


FIG. 3



FIG. 2

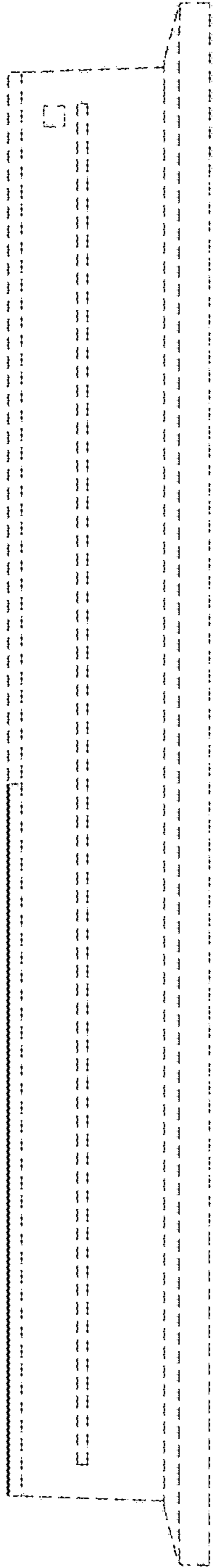


FIG. 4

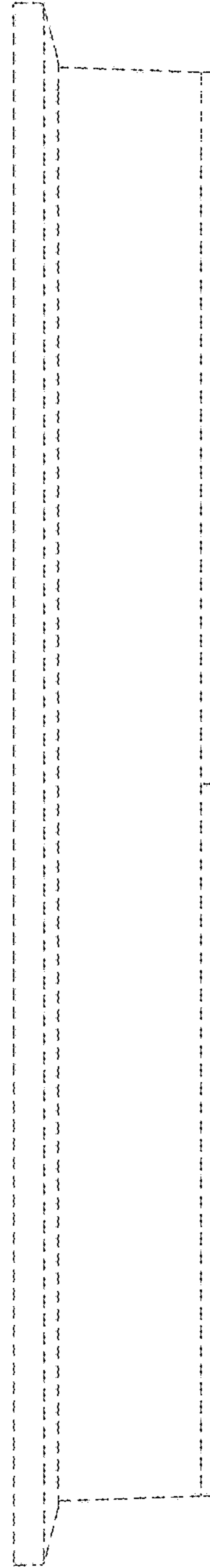


FIG. 5

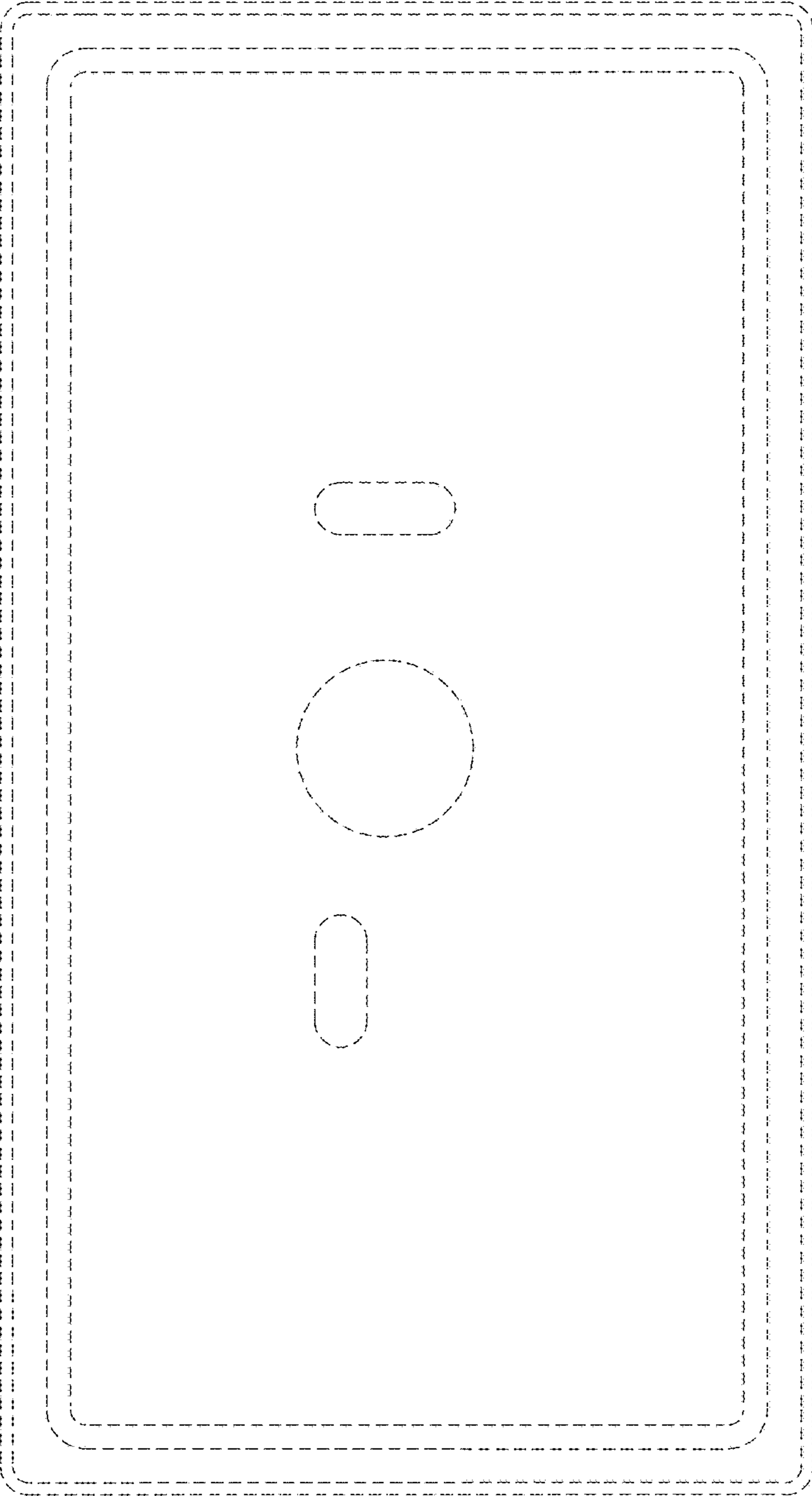


FIG. 6

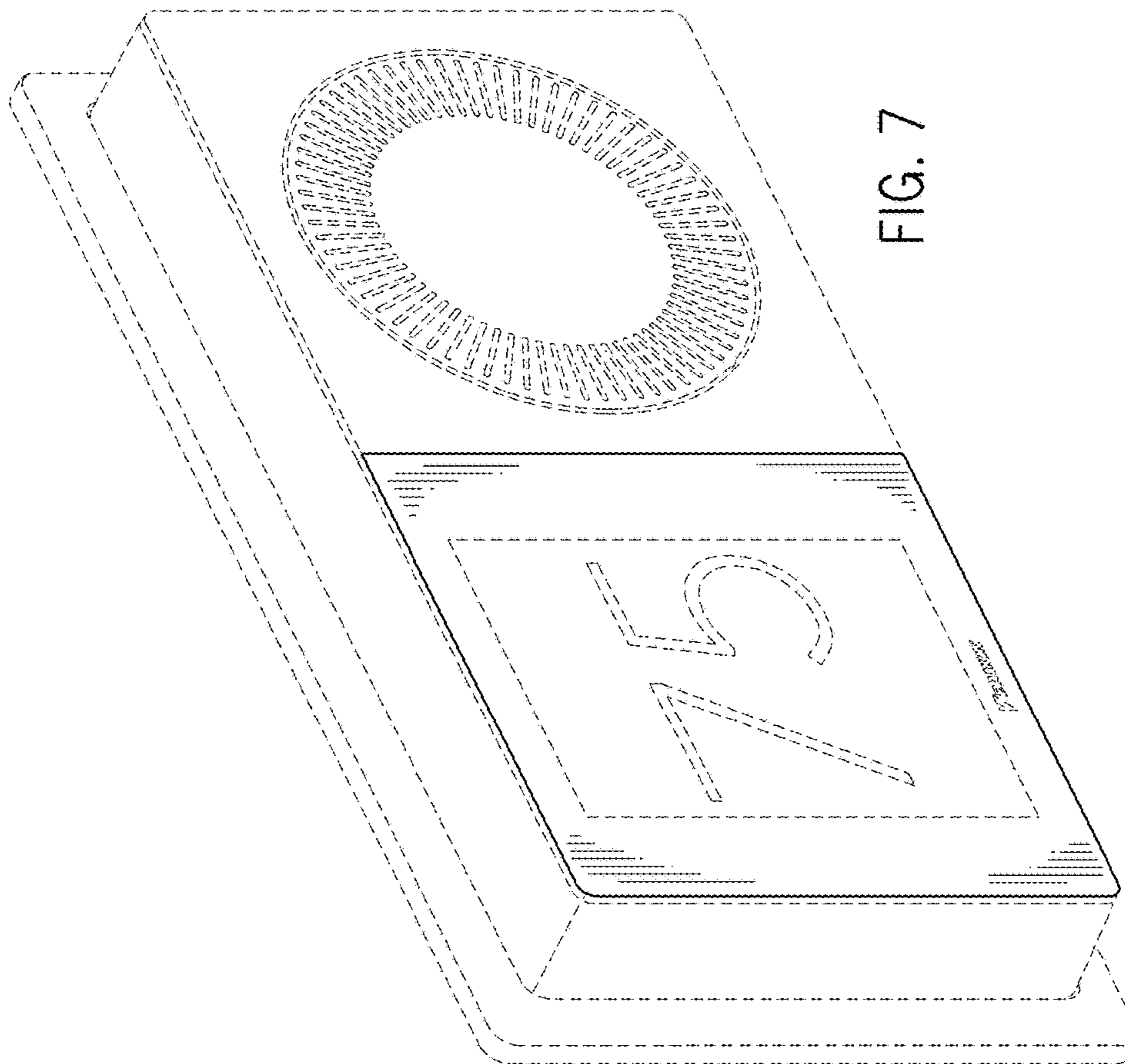


FIG. 7

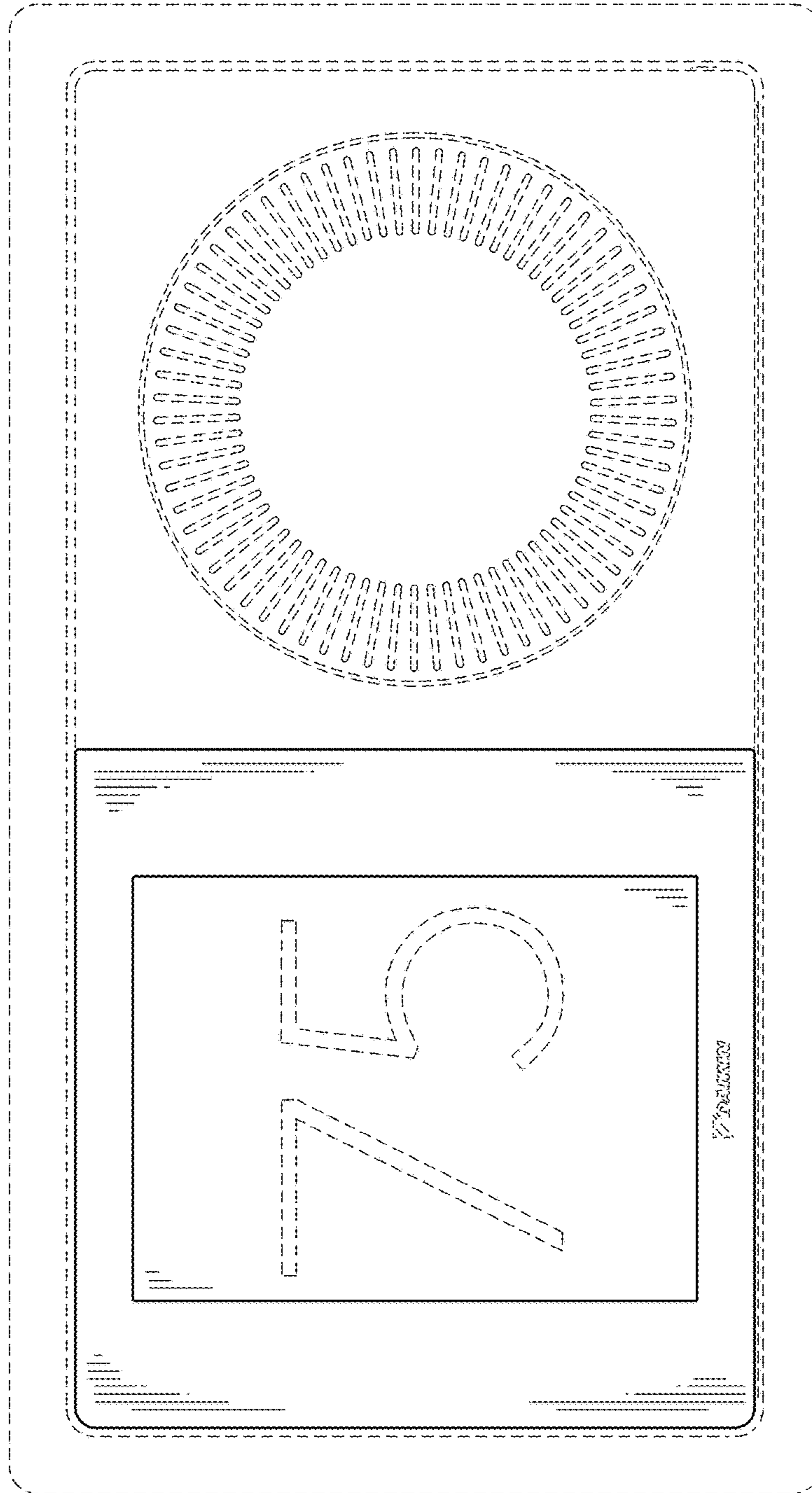


FIG. 8

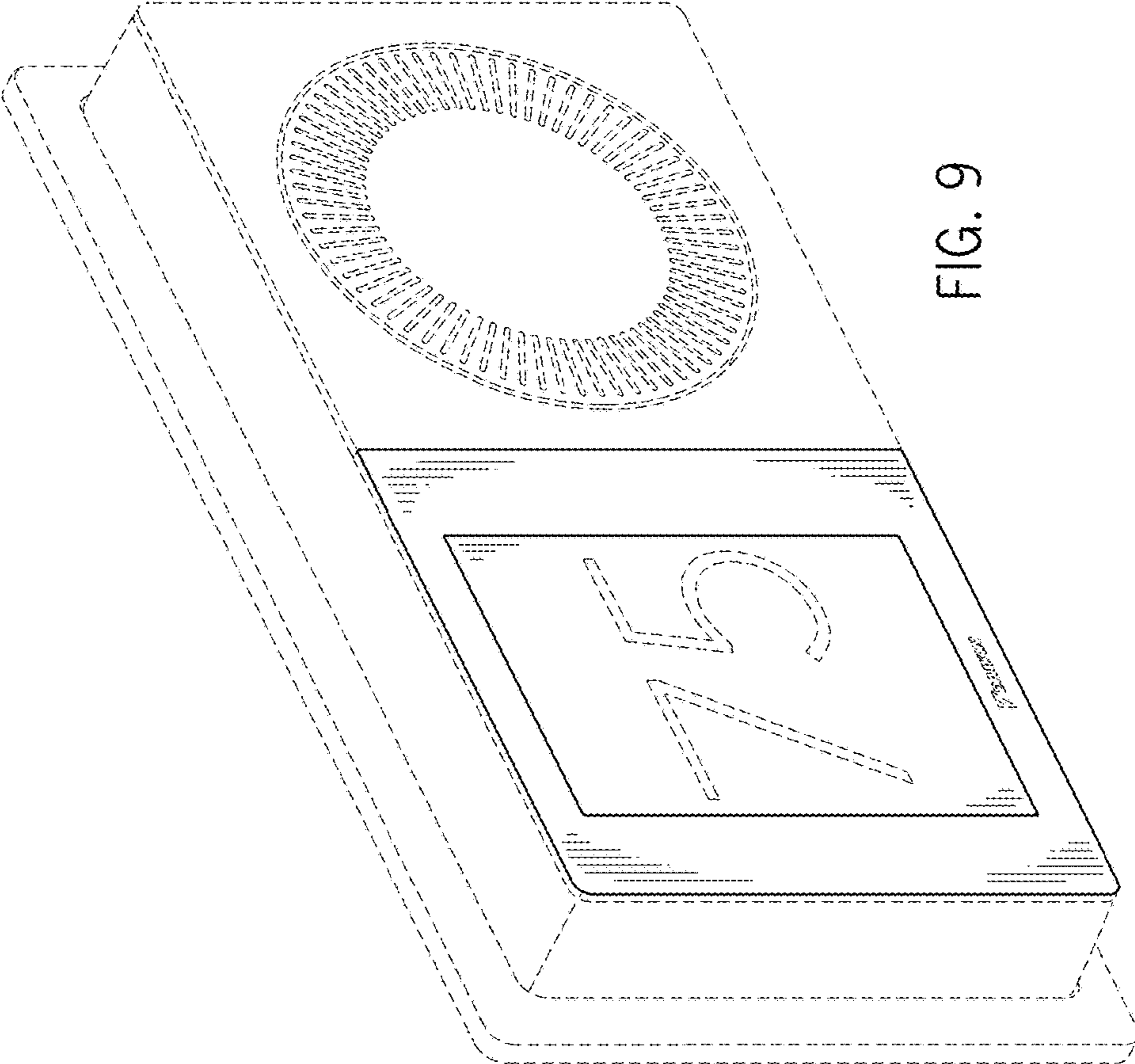


FIG. 9

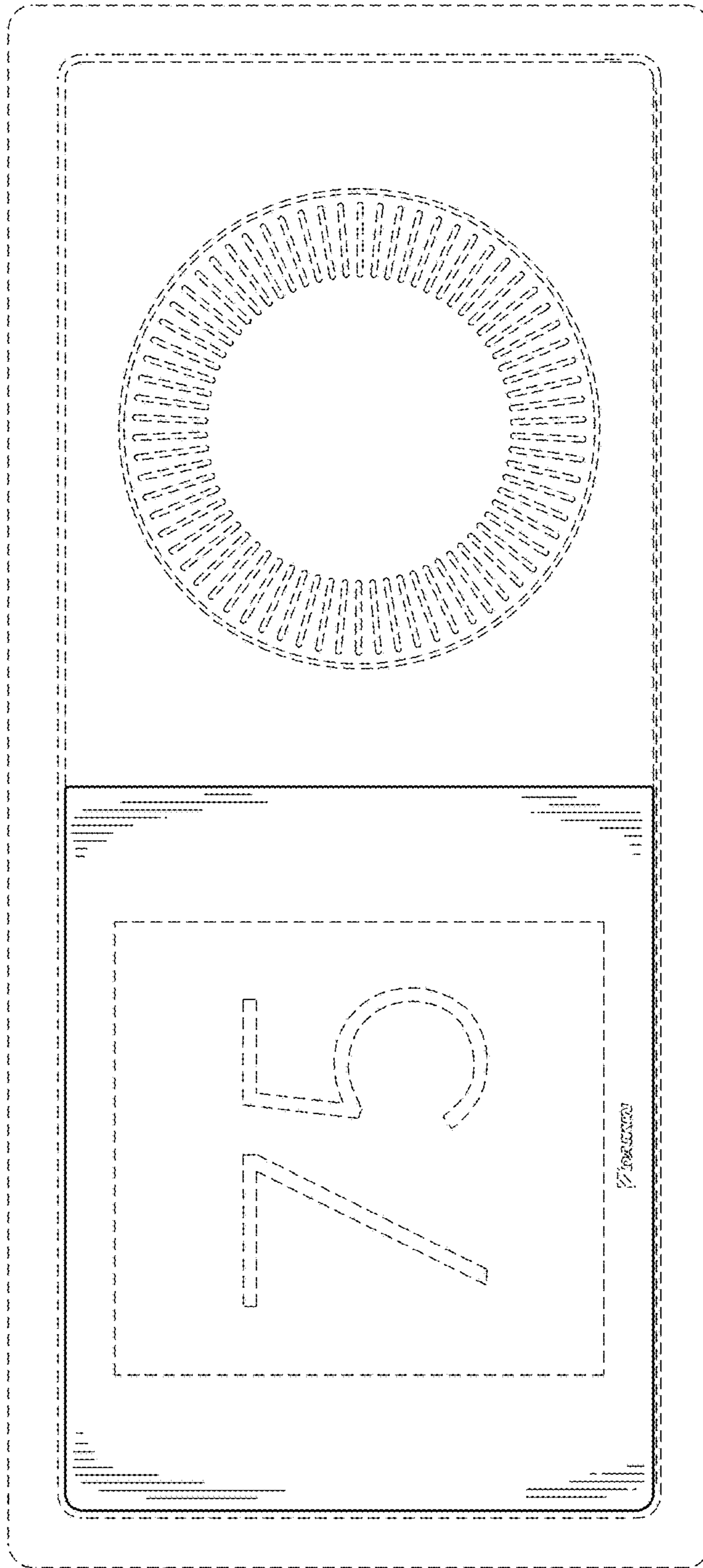


FIG. 10

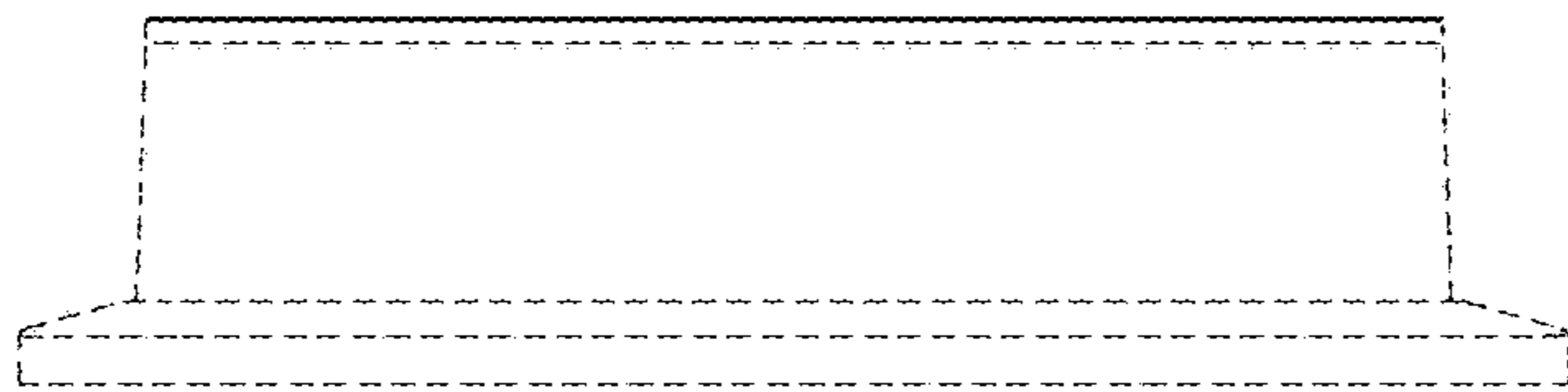


FIG. 12

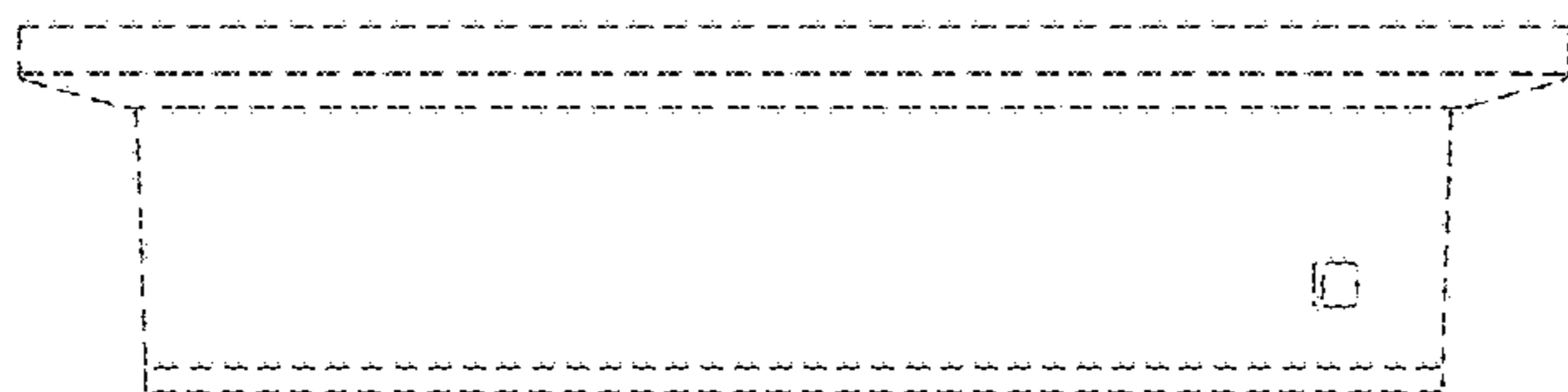


FIG. 11

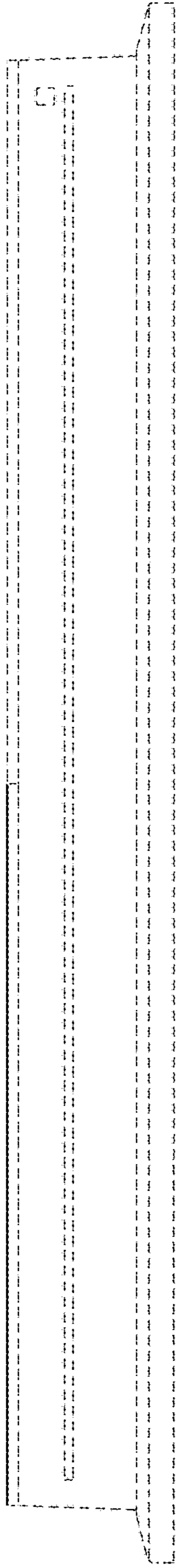


FIG. 13

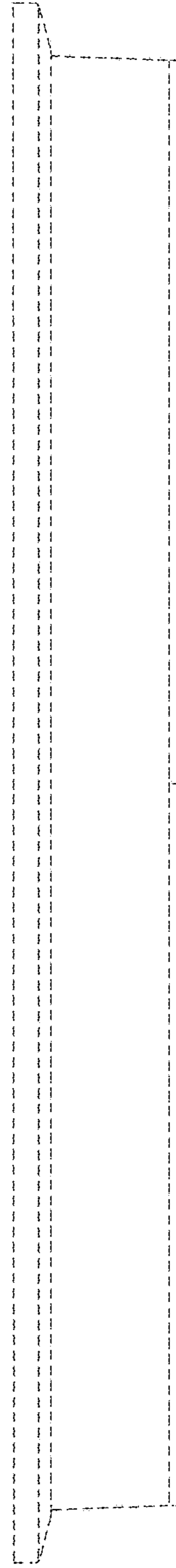


FIG. 14

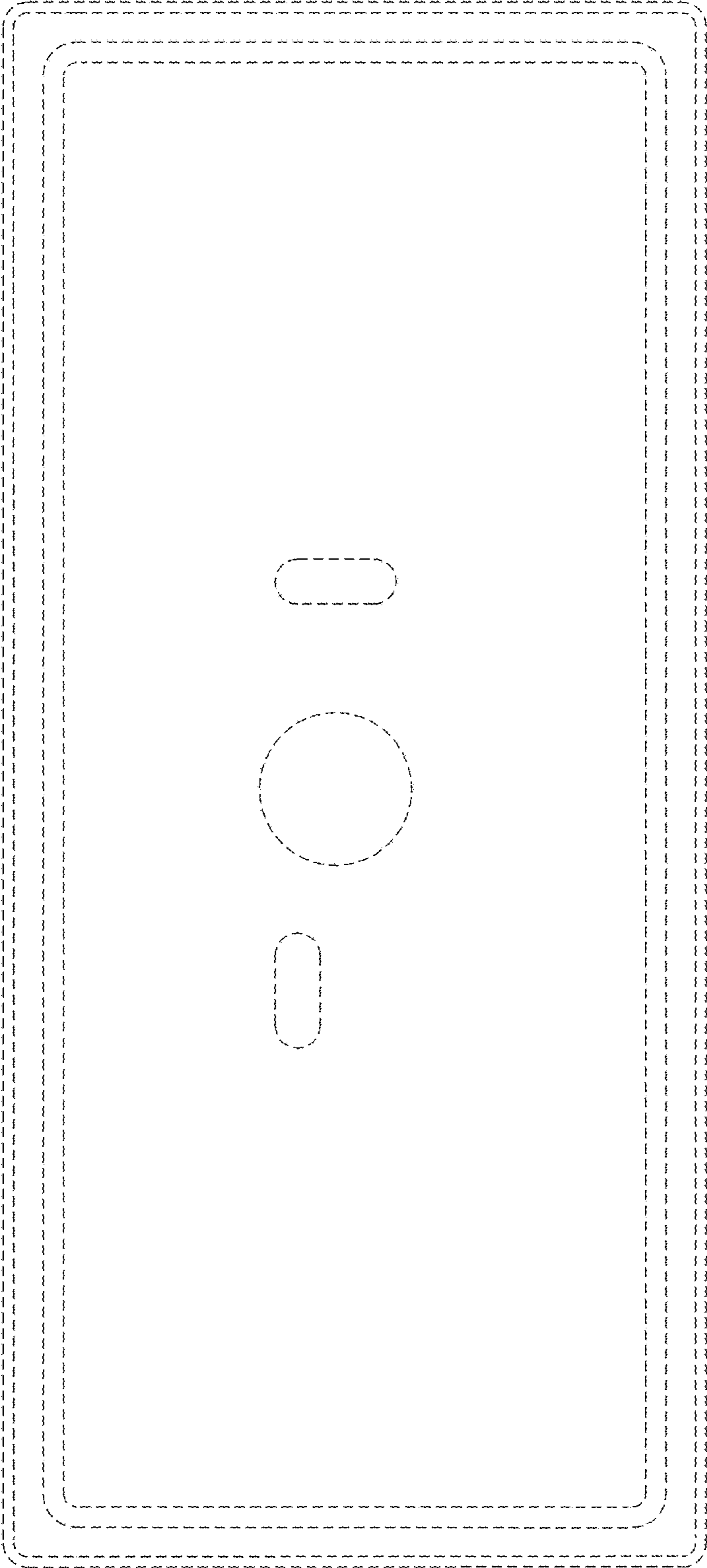


FIG. 15

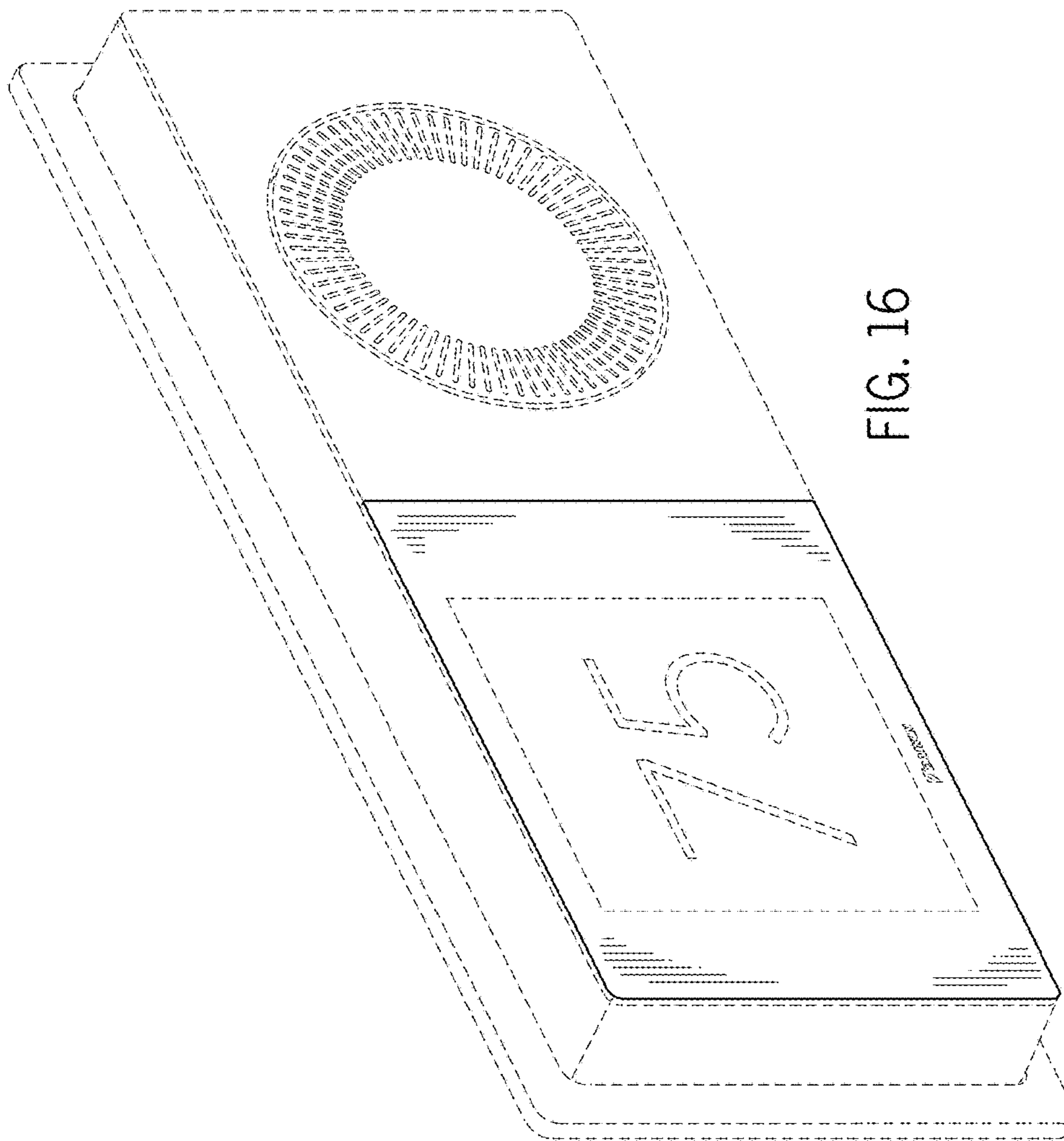


FIG. 16

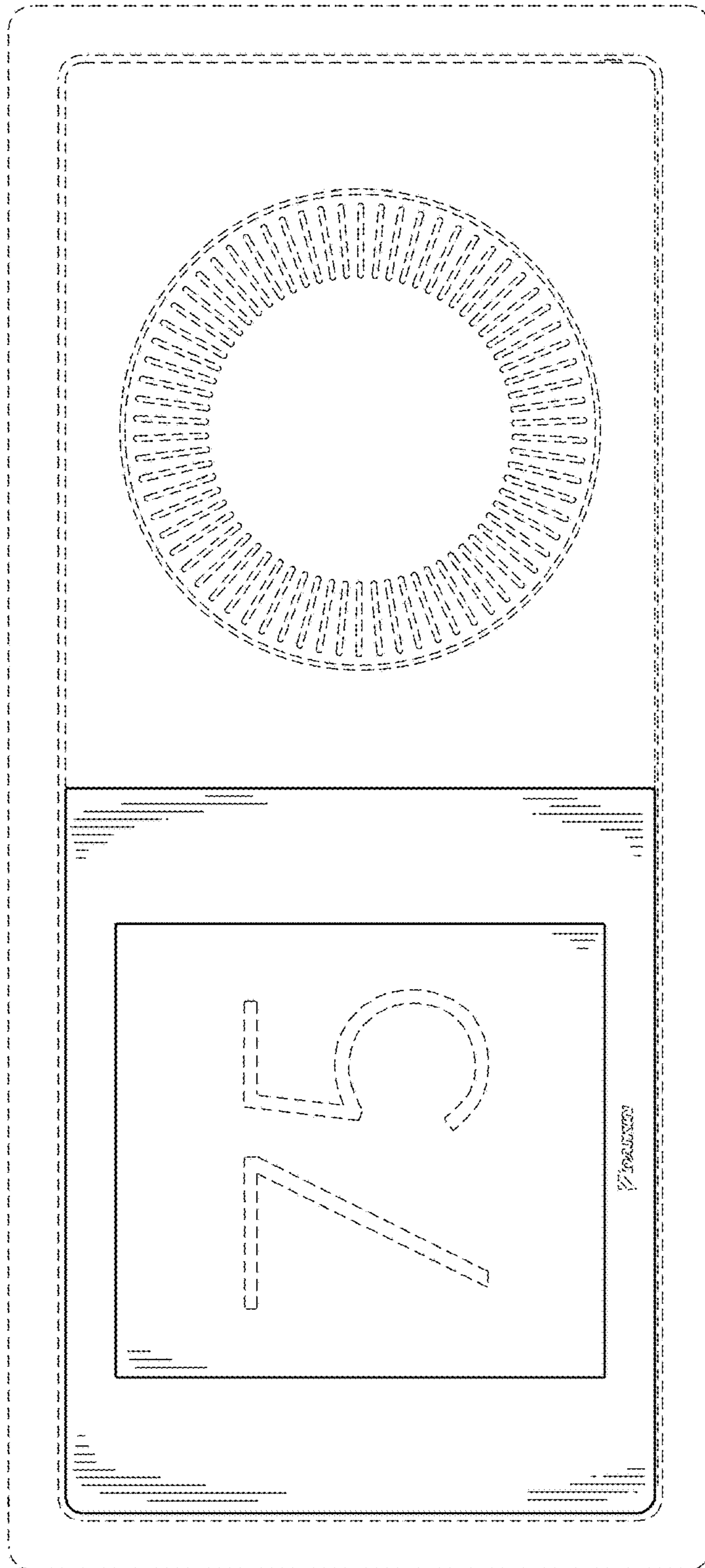


FIG. 17

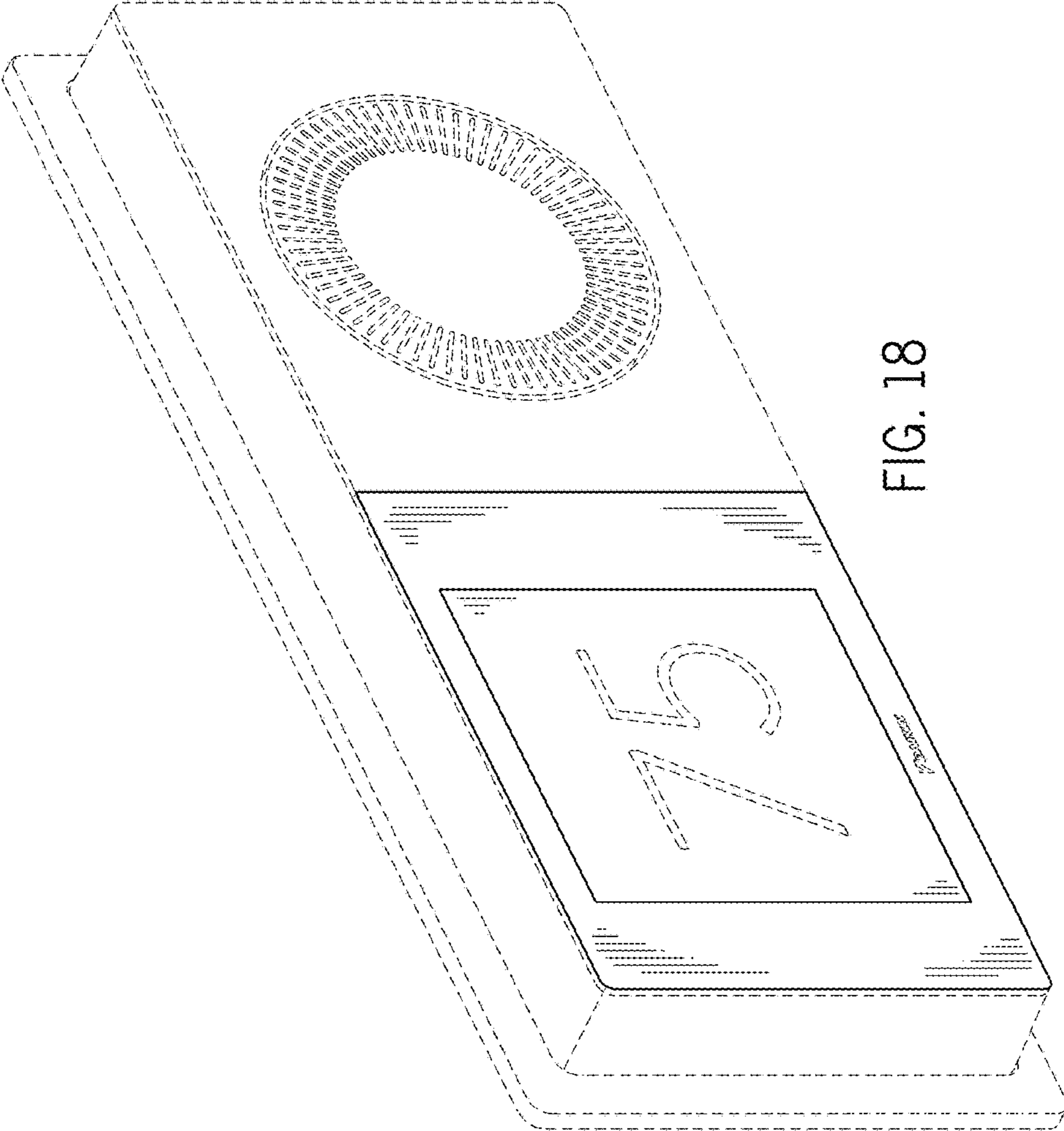


FIG. 18

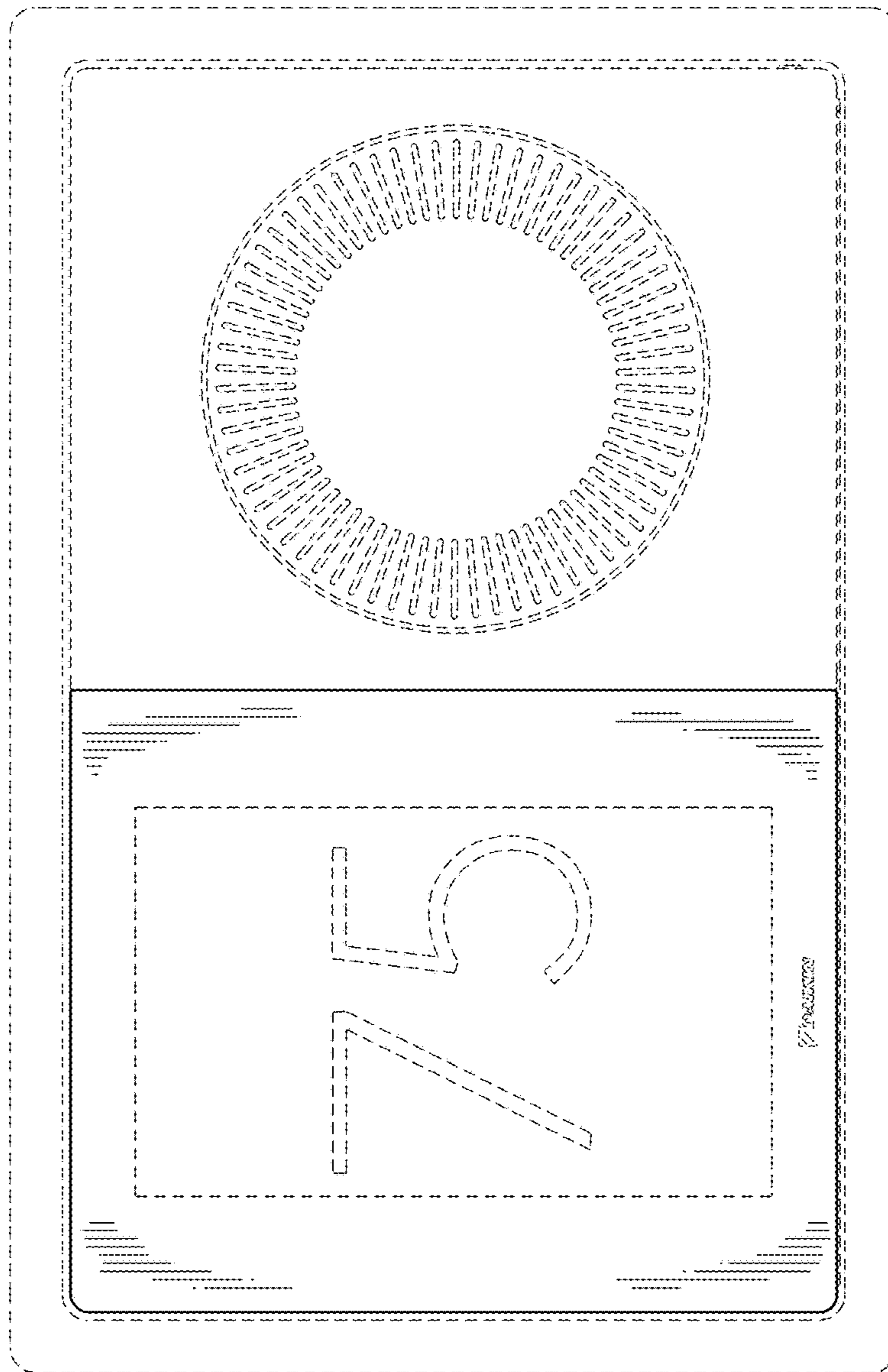


FIG. 19

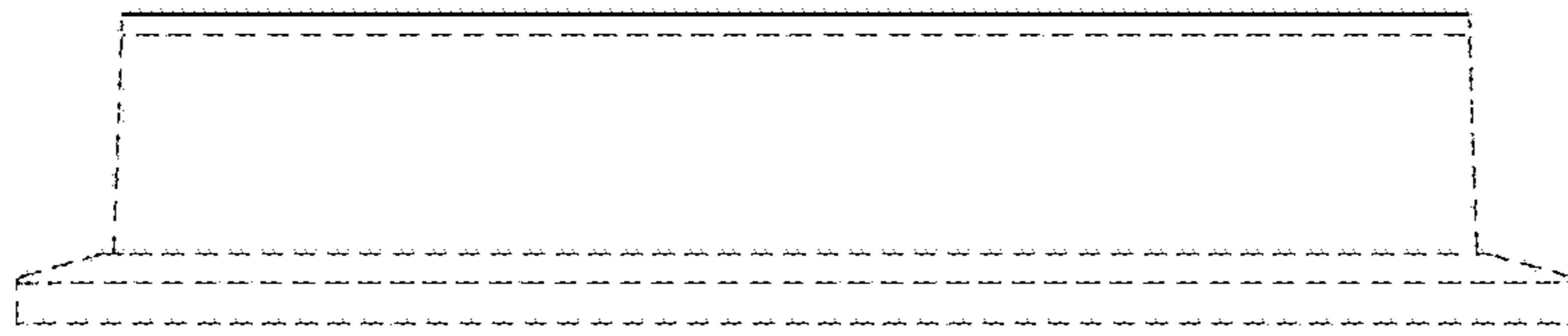


FIG. 21

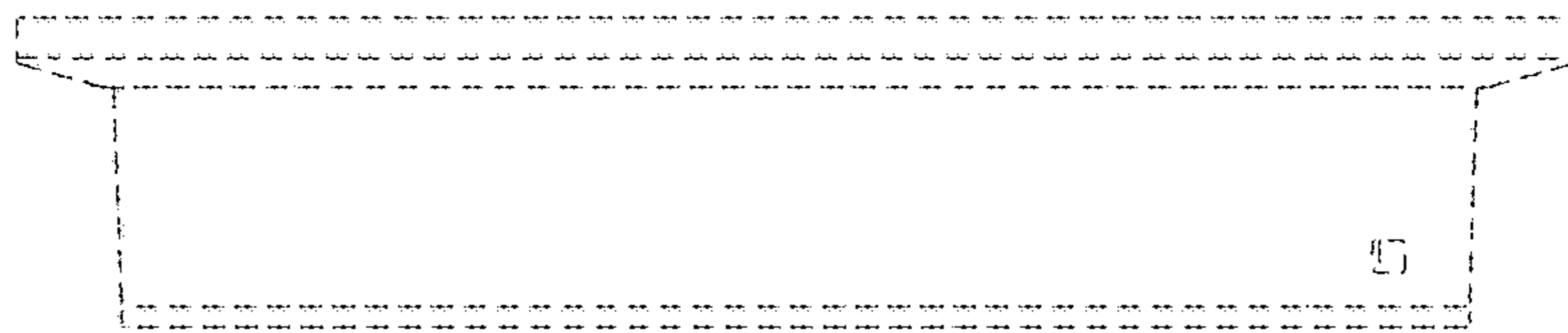


FIG. 20

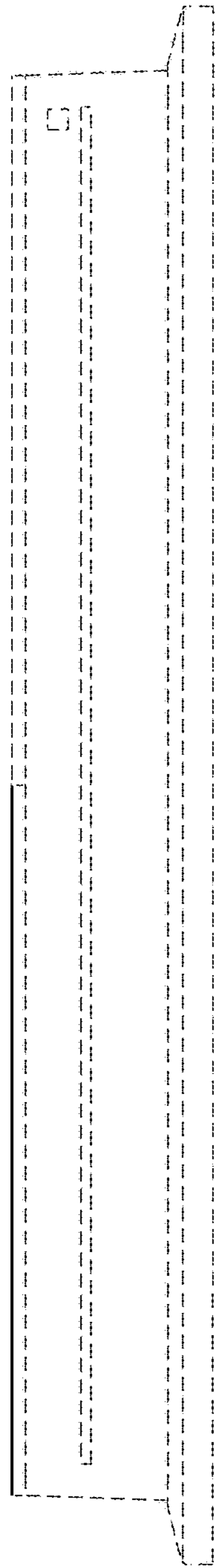


FIG. 22

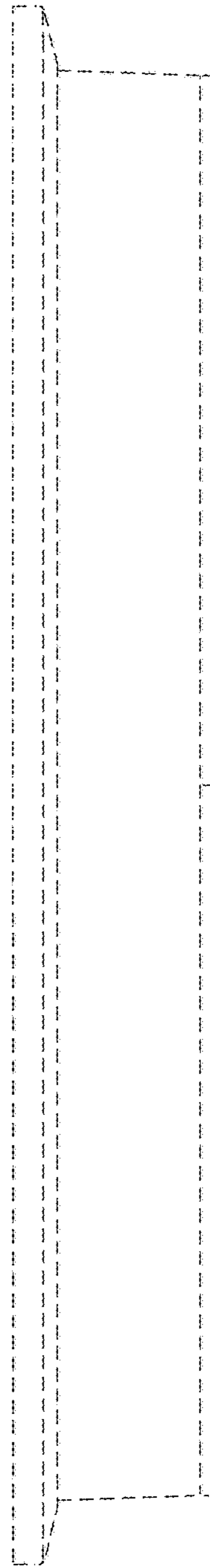


FIG. 23

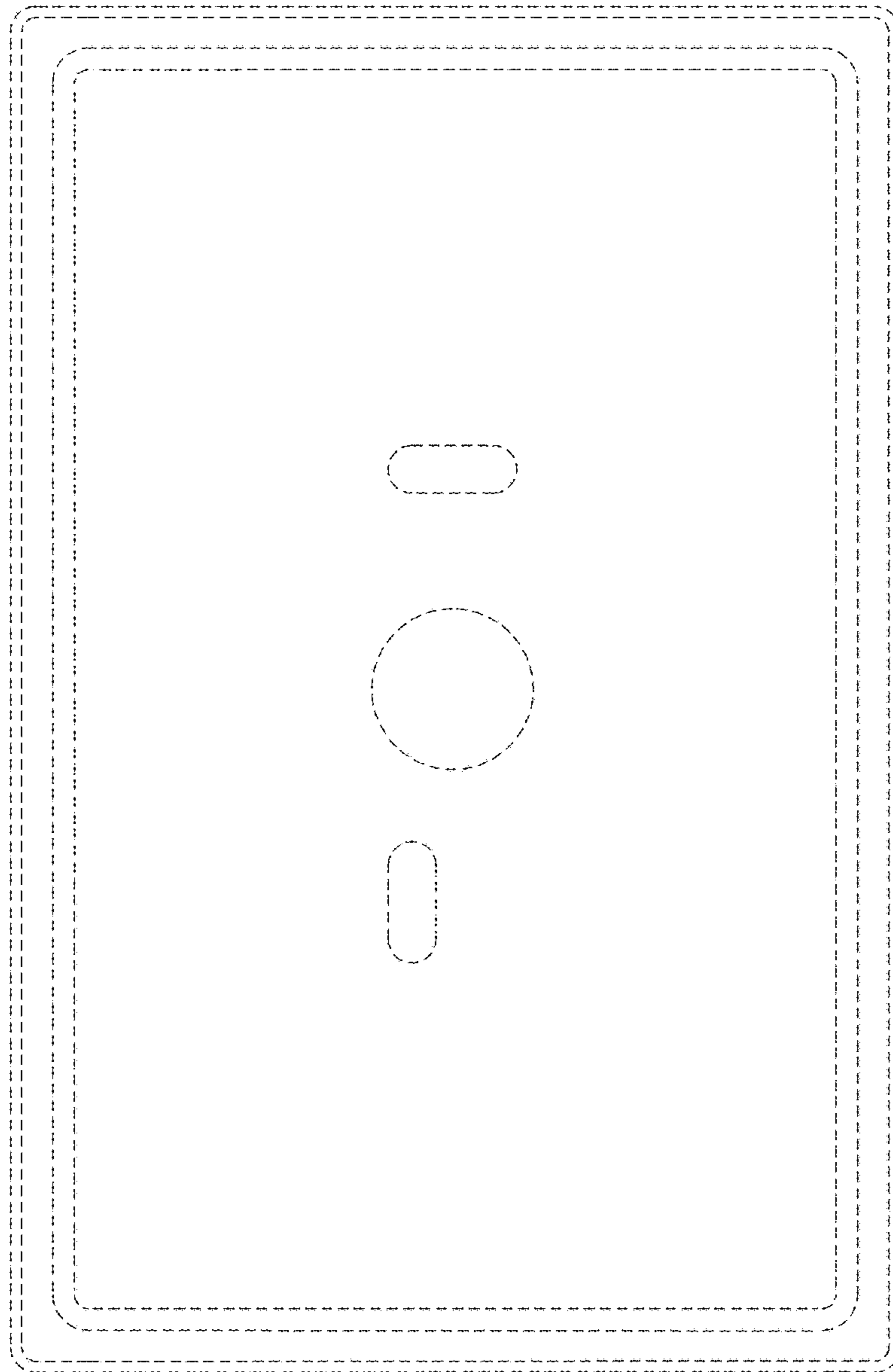


FIG. 24

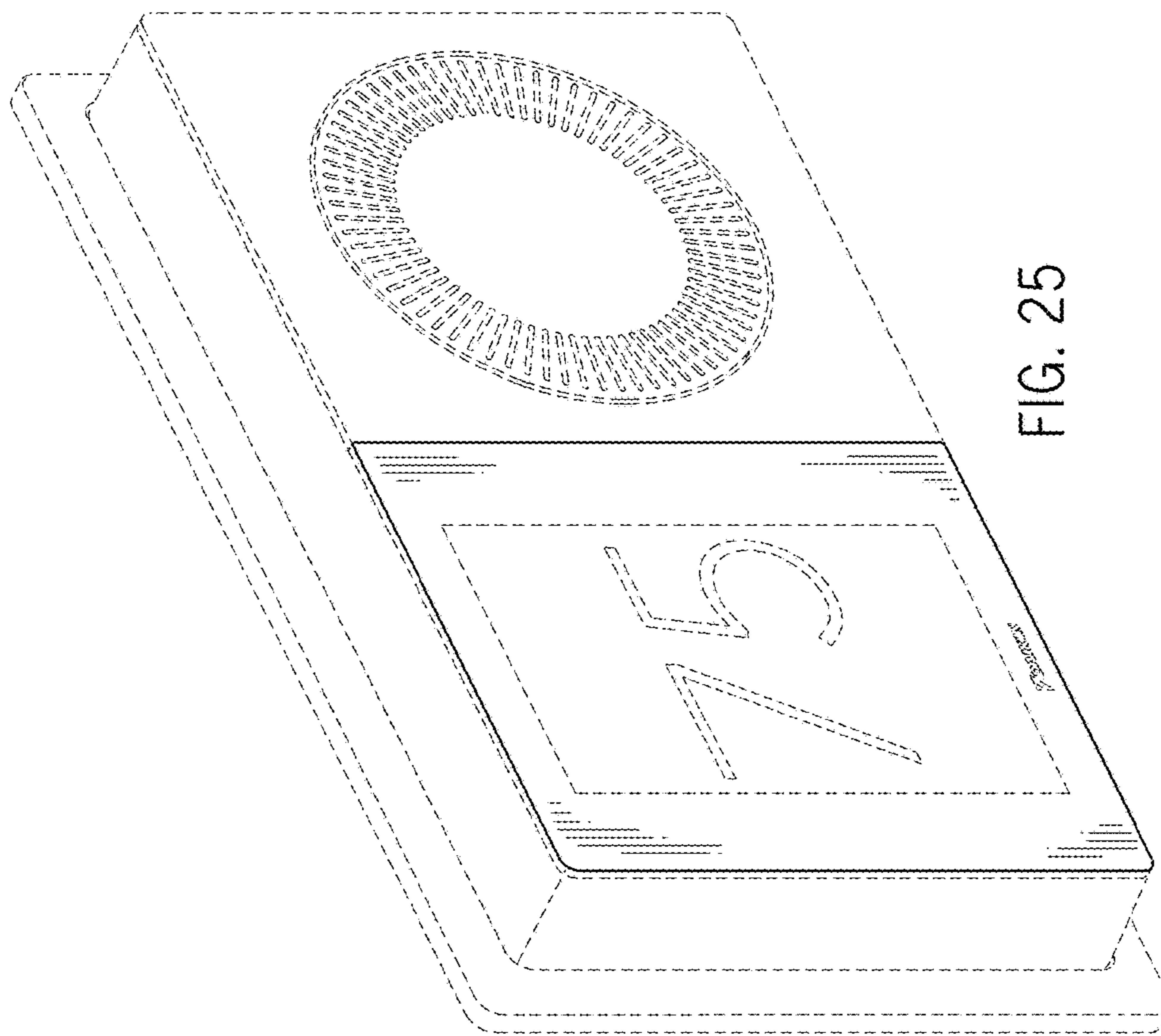


FIG. 25

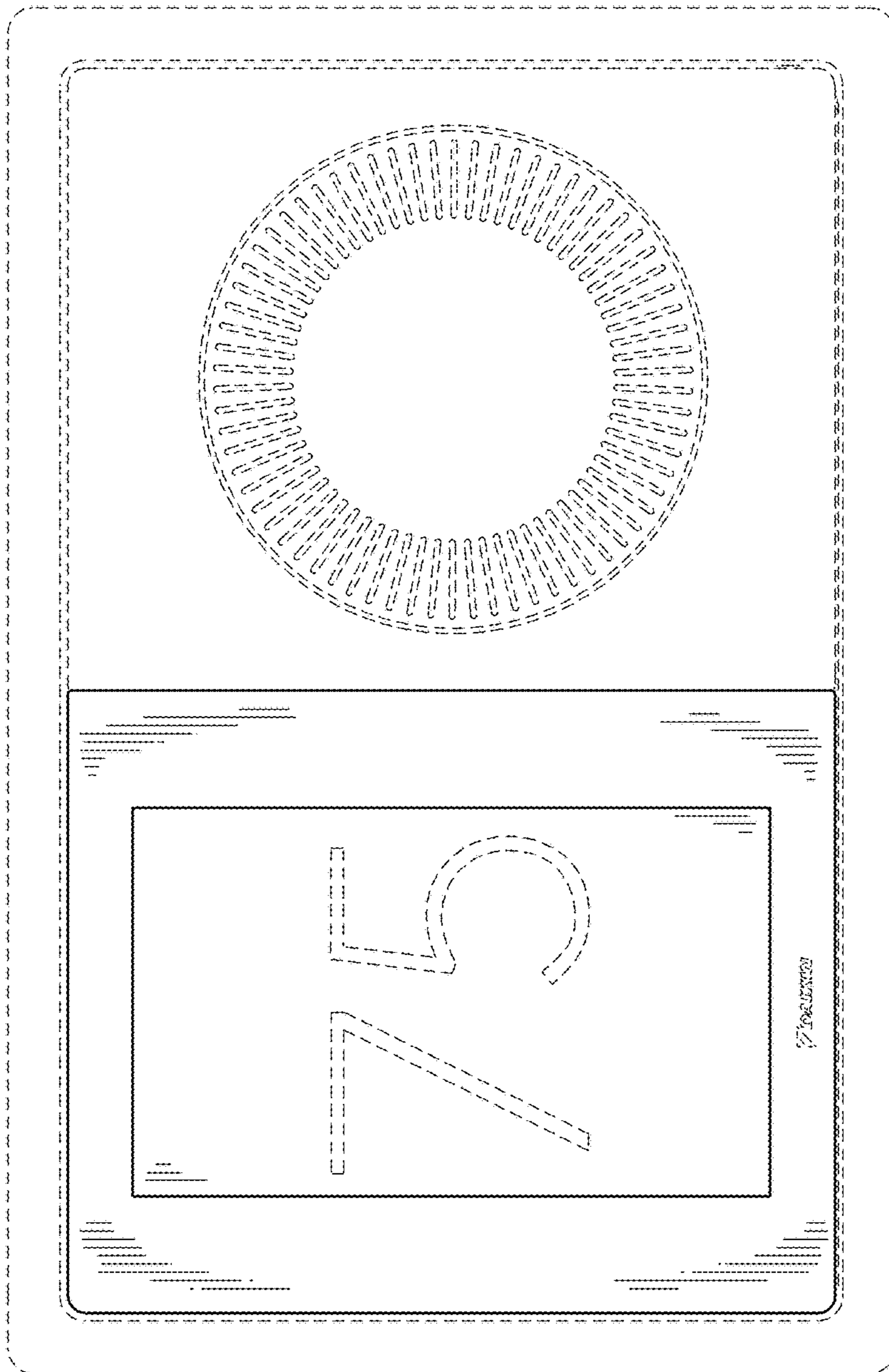


FIG. 26

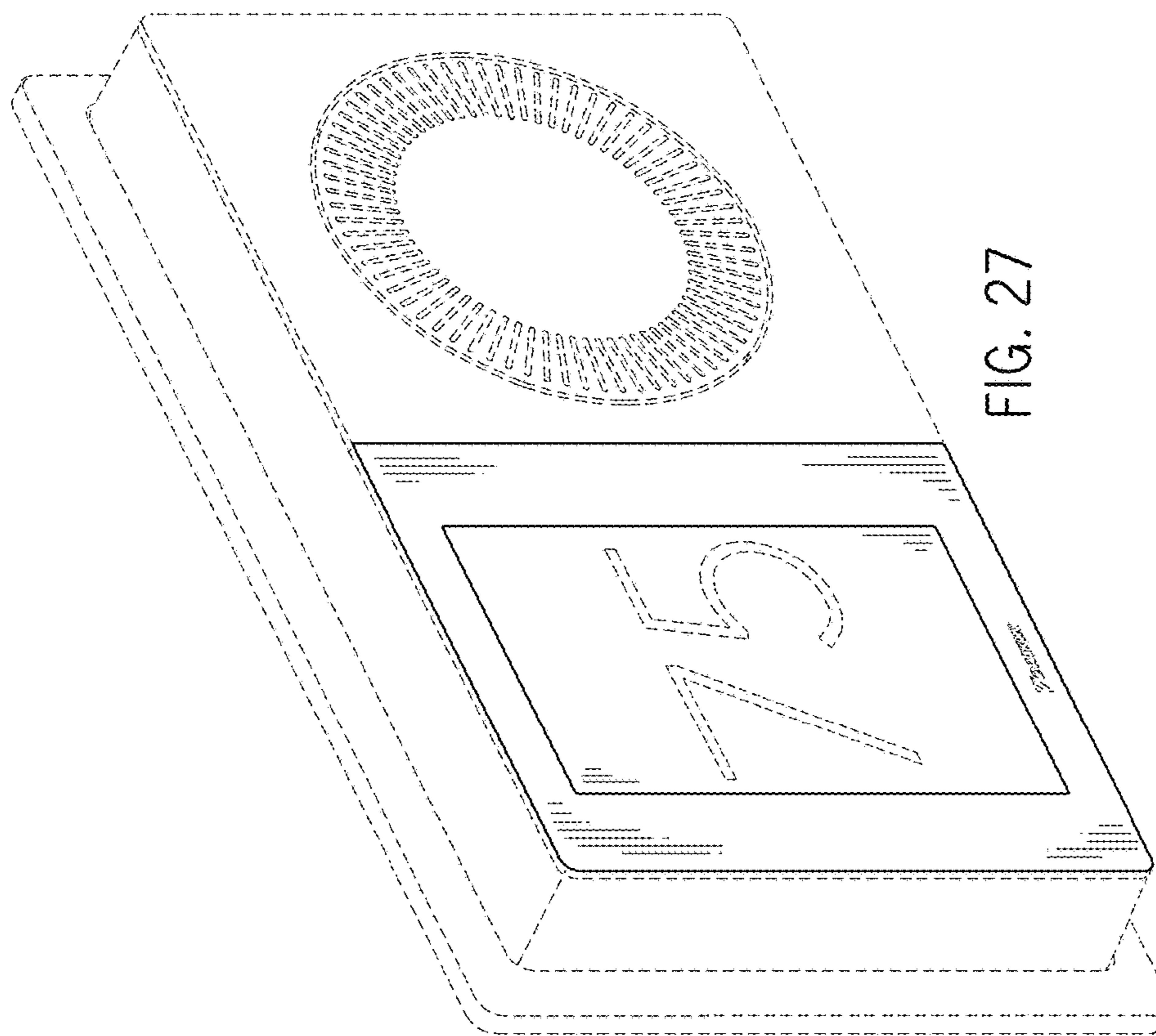


FIG. 27