

US00D836005S

(12) **United States Design Patent** (10) **Patent No.:** **US D836,005 S**
Lu (45) **Date of Patent:** **** Dec. 18, 2018**

(54) **ALARM CLOCK**
(71) Applicant: **Zhoufeng Lu**, Shenzhen (CN)
(72) Inventor: **Zhoufeng Lu**, Shenzhen (CN)
(73) Assignee: **SHENZHEN HONGHAO
TIANCHENG TECHNOLOGY CO.,
LTD.**, Shenzhen (CN)

(**) Term: **15 Years**

(21) Appl. No.: **29/627,437**

(22) Filed: **Nov. 27, 2017**

(51) **LOC (11) Cl.** **10-01**

(52) **U.S. Cl.**
USPC **D10/2; D10/15; D14/171**

(58) **Field of Classification Search**
USPC D10/1, 2-3, 5-7, 14-15, 22-28, 40-41,
D10/46.1, 46.2, 49-50, 52, 55, 59,
D10/122-124, 126-128, 132;
D14/170-171, 197, 218, 489-490, 492;
D15/28; D20/20-21, 29; D7/589;
D11/160; D21/603

CPC G04B 19/00; G04B 19/04; G04B 19/042;
G04B 19/044; G04B 19/06; G04B
19/065; G04B 19/08; G04B 19/085;
G04B 19/26; G04B 19/264; G04B
45/0069; G04B 47/02; G04B 47/04;
G04B 47/048; G04C 3/001; G04C 19/00;
G04C 19/02; G04C 19/06; G04F 1/00;
G04F 3/00; G04F 3/02; A47J 31/407;
A61L 9/12; A61L 9/122; A61L 9/125;
A61L 9/32

See application file for complete search history.

(56) **References Cited**

U.S. PATENT DOCUMENTS

3,817,019 A * 6/1974 Fowler G04C 23/24
368/284
D269,353 S * 6/1983 Yokoyama D10/2
D272,623 S * 2/1984 Aoijs D10/15

D491,072 S * 6/2004 Chan D10/15
D491,076 S * 6/2004 Hsu D10/15
D492,206 S * 6/2004 Chan D10/15
D522,387 S * 6/2006 Bedol D10/15
D531,057 S * 10/2006 Bhavnani D10/1

(Continued)

OTHER PUBLICATIONS

Mesquul AMFM Digital Projection Alarm Clock | posted at amazon.com No posting date; review date Nov. 2016 © 1996-2018, Amazon.com, Inc. [online][site visited Feb. 1, 2018]. Available from Internet: (Year: 2016) <https://www.amazon.com/dp/B016QCTX7G/ref=asc_df_B016QCTX7G5357385/?tag=hyprod-20&creative=395033&creativeASIN=B016QCTX7G&linkCode=df0&hvadid=238158106290&hvpos=101&hvnetw=g&hvrand=10945206142800247852&hvpone=&hvptwo=&hvqmt=&hvdev=c&hvdvcm1=&hvlocint=&hvlocphy=9008192&hvtargid=pla-392172383211> (Year: 2016).*

(Continued)

Primary Examiner — Sandra S Snapp
Assistant Examiner — Katherine Glennon
(74) *Attorney, Agent, or Firm* — Law Offices of Steven W. Weinrieb

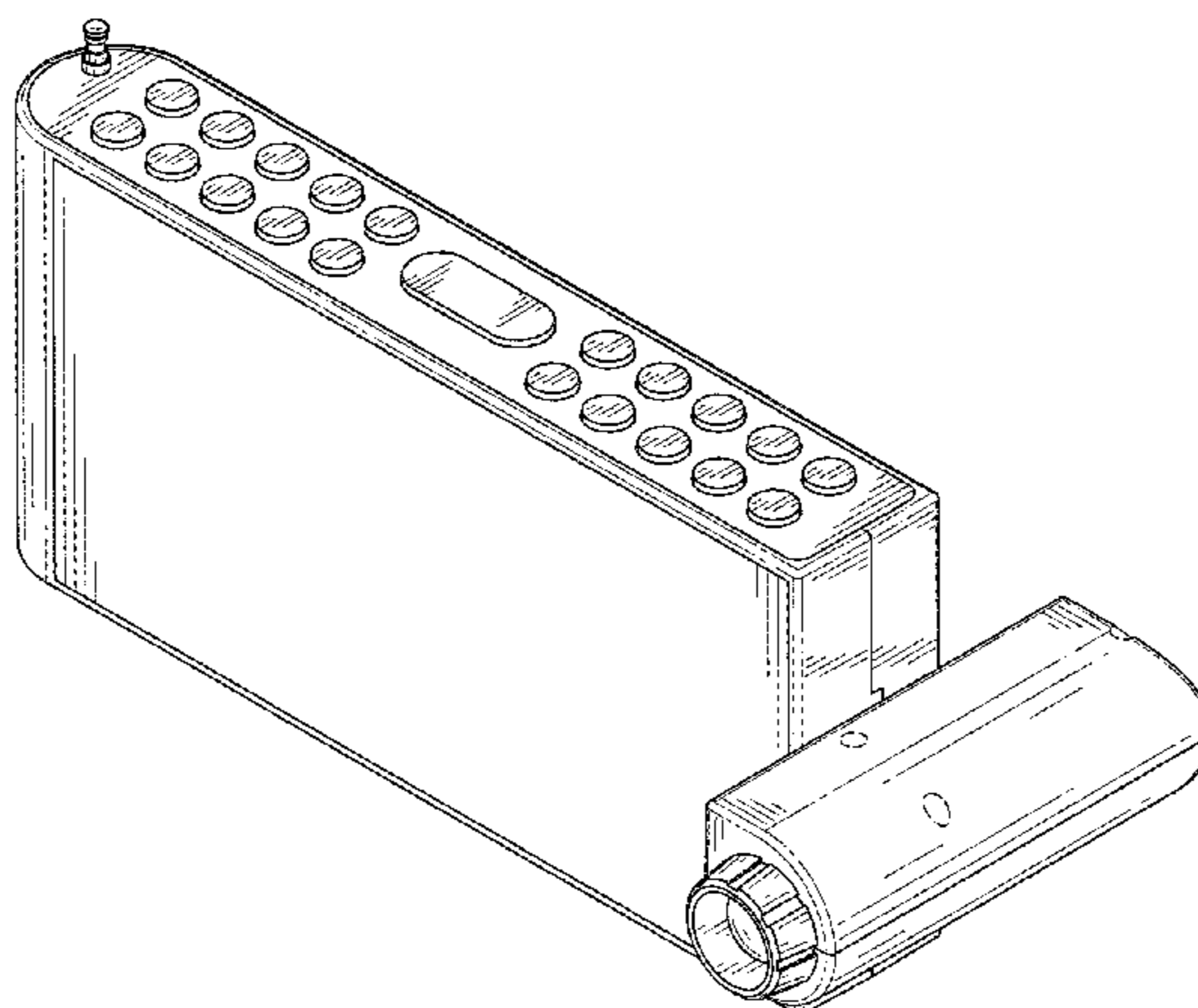
(57) **CLAIM**

The ornamental design for an alarm clock, as shown and described.

DESCRIPTION

FIG. 1 is a front top perspective view of the alarm clock showing my new design;
FIG. 2 is an inverted rear bottom perspective view thereof;
FIG. 3 is a front elevational view thereof;
FIG. 4 is a rear elevational view thereof.
FIG. 5 is a top plan view thereof;
FIG. 6 is a bottom plan view thereof;
FIG. 7 is a left side elevational view thereof; and,
FIG. 8 is a right side elevational view thereof.

(Continued)



The broken lines showing portions of the alarm clock illustrate environmental structure only and form no part of the claimed design.

D703,165 S * 4/2014 Bang D14/125
D734,293 S * 7/2015 Kim D14/204
D820,114 S * 6/2018 Hu D10/15

1 Claim, 8 Drawing Sheets

OTHER PUBLICATIONS

(56)

References Cited

U.S. PATENT DOCUMENTS

D538,679 S * 3/2007 Chan D10/15
D538,680 S * 3/2007 Chan D10/15
D549,190 S * 8/2007 Paradise D14/125
D571,782 S * 6/2008 Moldauer D14/188
D612,267 S * 3/2010 Tsang D10/1
D639,824 S * 6/2011 Usami D14/168

Shanlonyi Projection Alarm Clock | posted at importitall.co.za, n.d. [online][site visited Aug. 1, 2018]. Available from internet: <<https://www.importitall.co.za/SHANLONYI-Projection-Alarm-Clock-Radio-with-AMFM-Time-Projector-Mobile-Device-USB-Charging-Station-Large-7-LED-ap-B0749P91HF.html>> (Year: 2018).*

DreamSky Projection Alarm Clock Radio | posted at amazon.com n.d. © 1996-2018, Amazon.com, Inc [online][site visited Jul. 31, 2018]. Available from Internet: <<https://www.amazon.com/DreamSky-Projection-Charging-Numbers-Adjustable/dp/B079KDWC7Z>> (Year: 2018).*

* cited by examiner

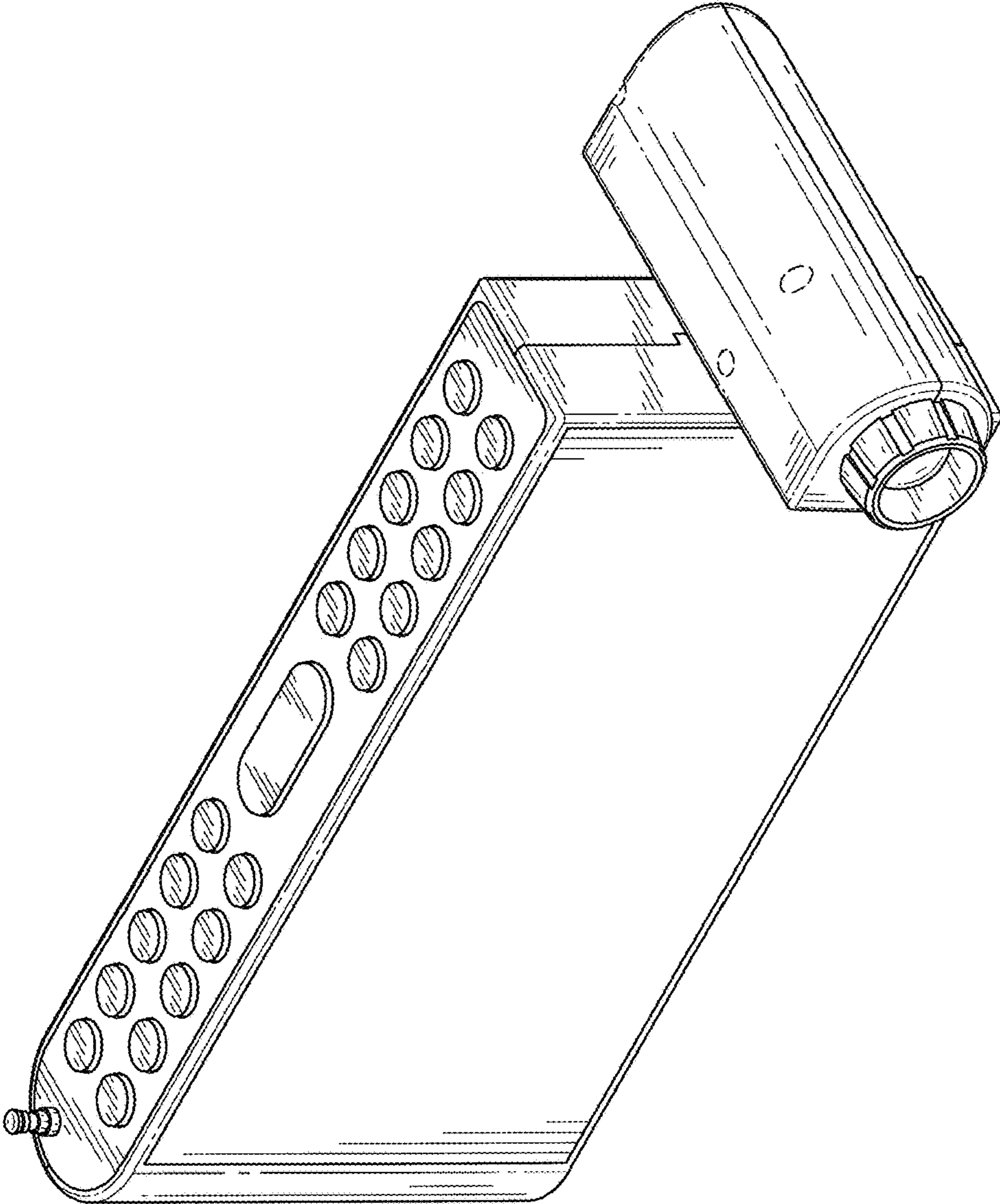


FIG. 1

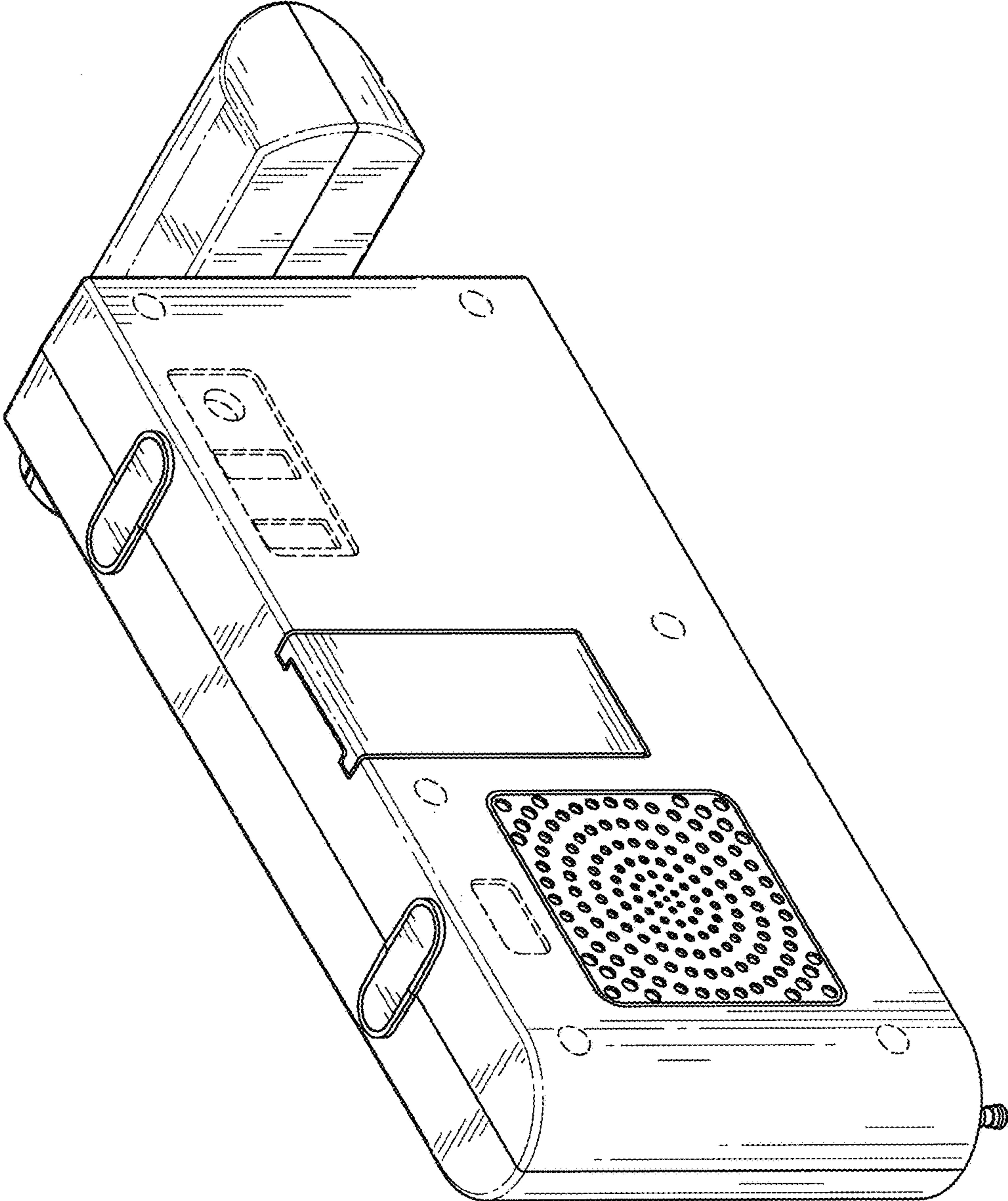


FIG. 2

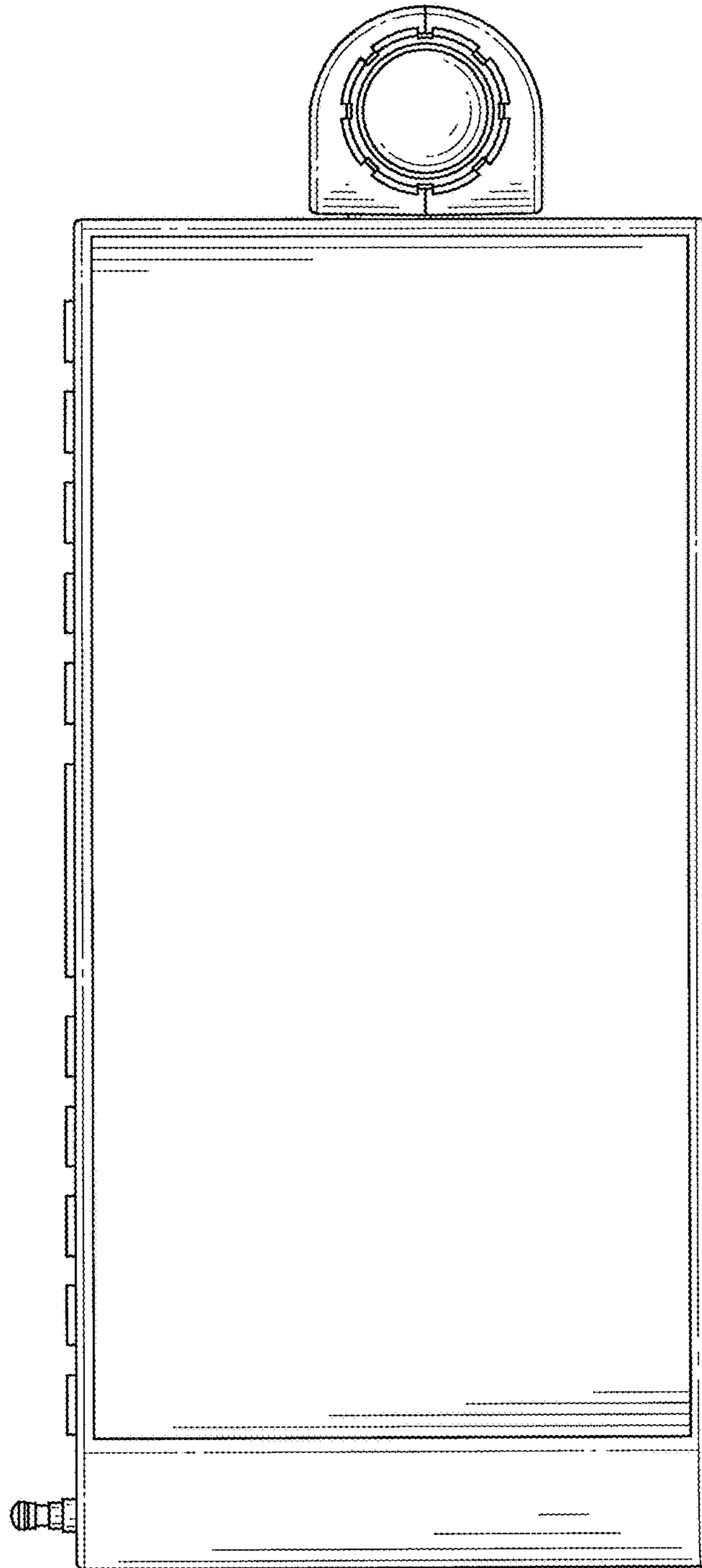


FIG. 3

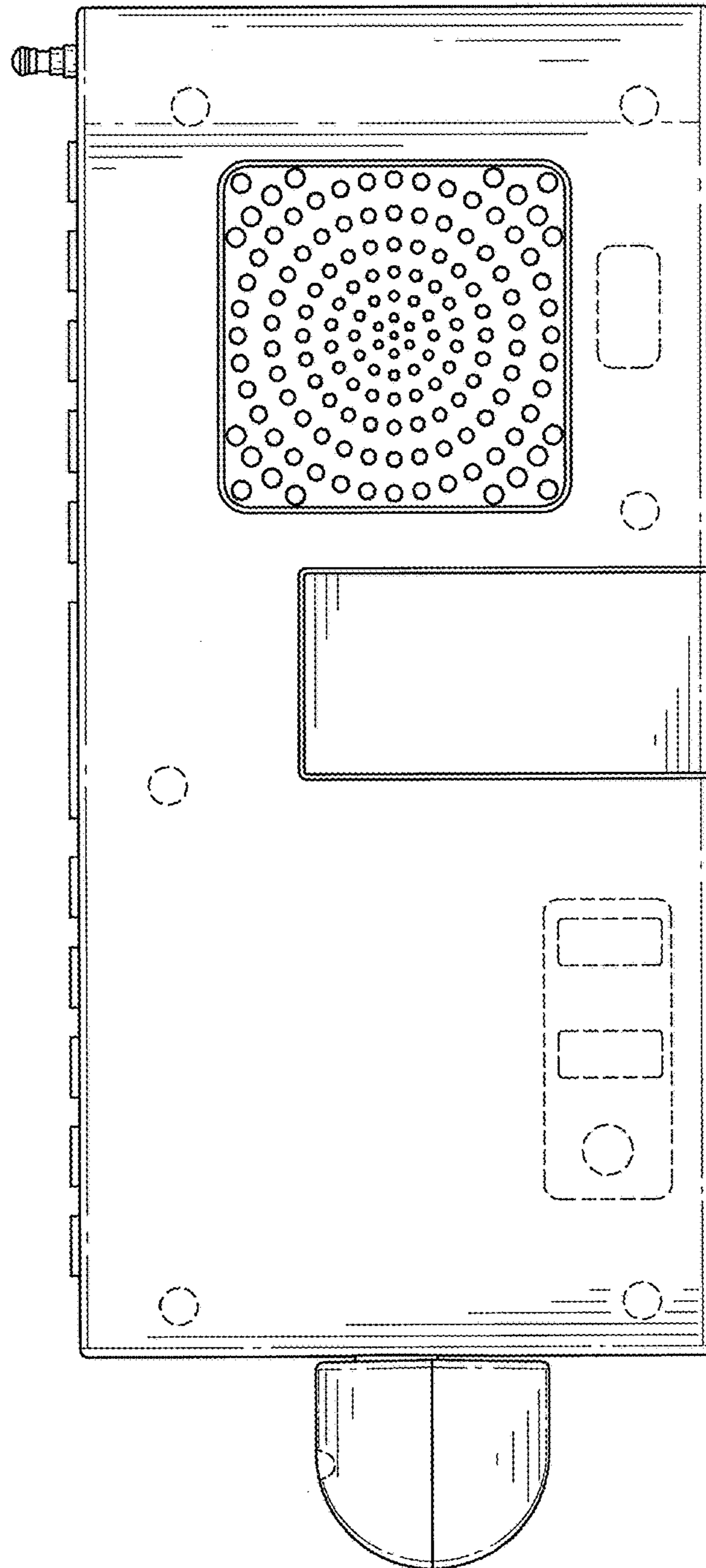


FIG. 4

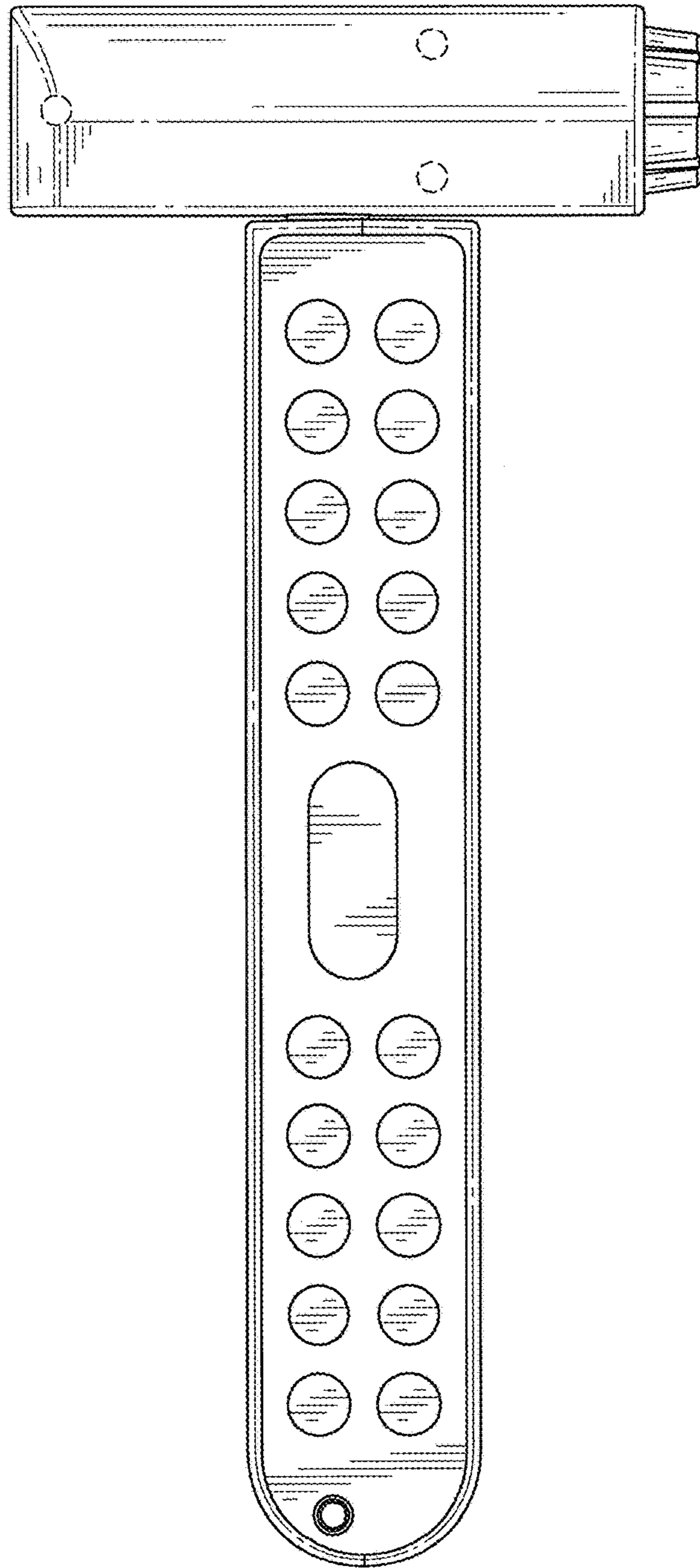


FIG. 5

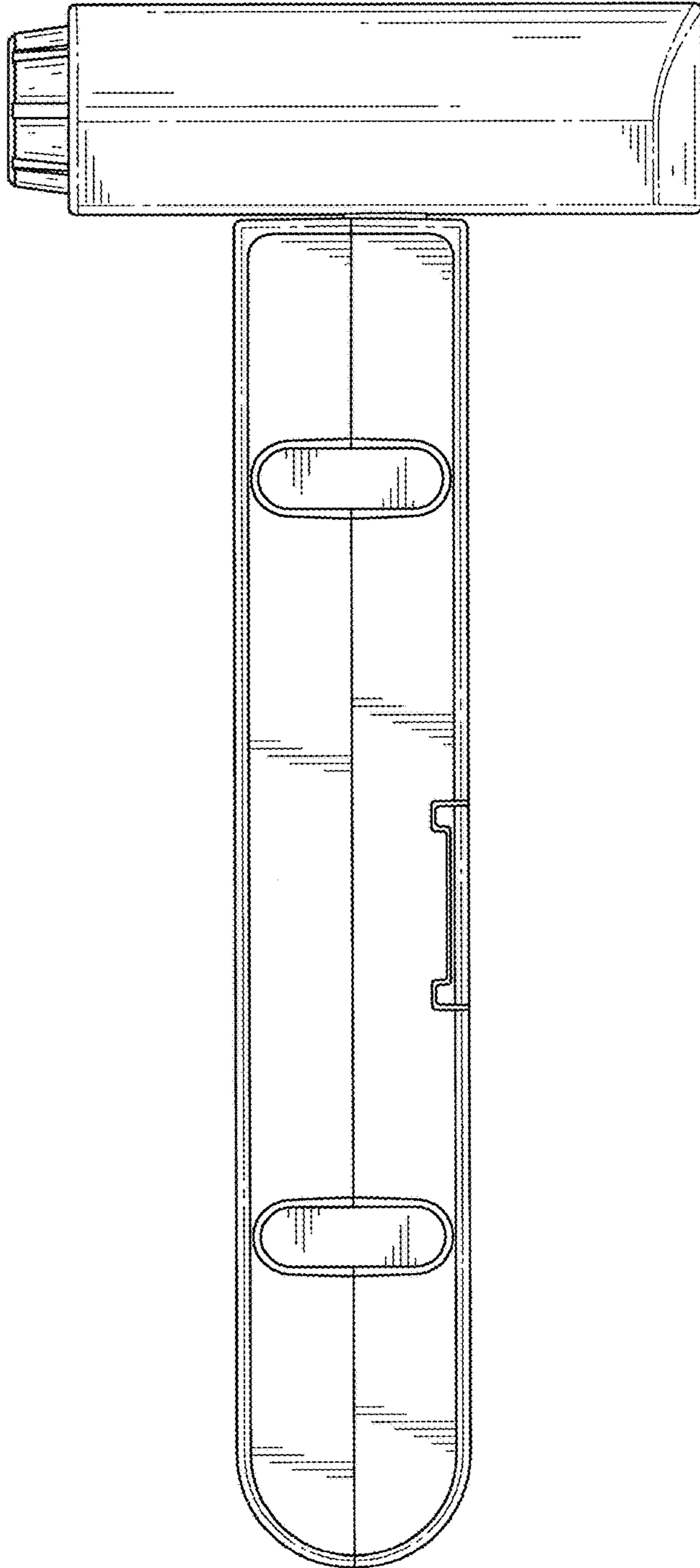


FIG. 6

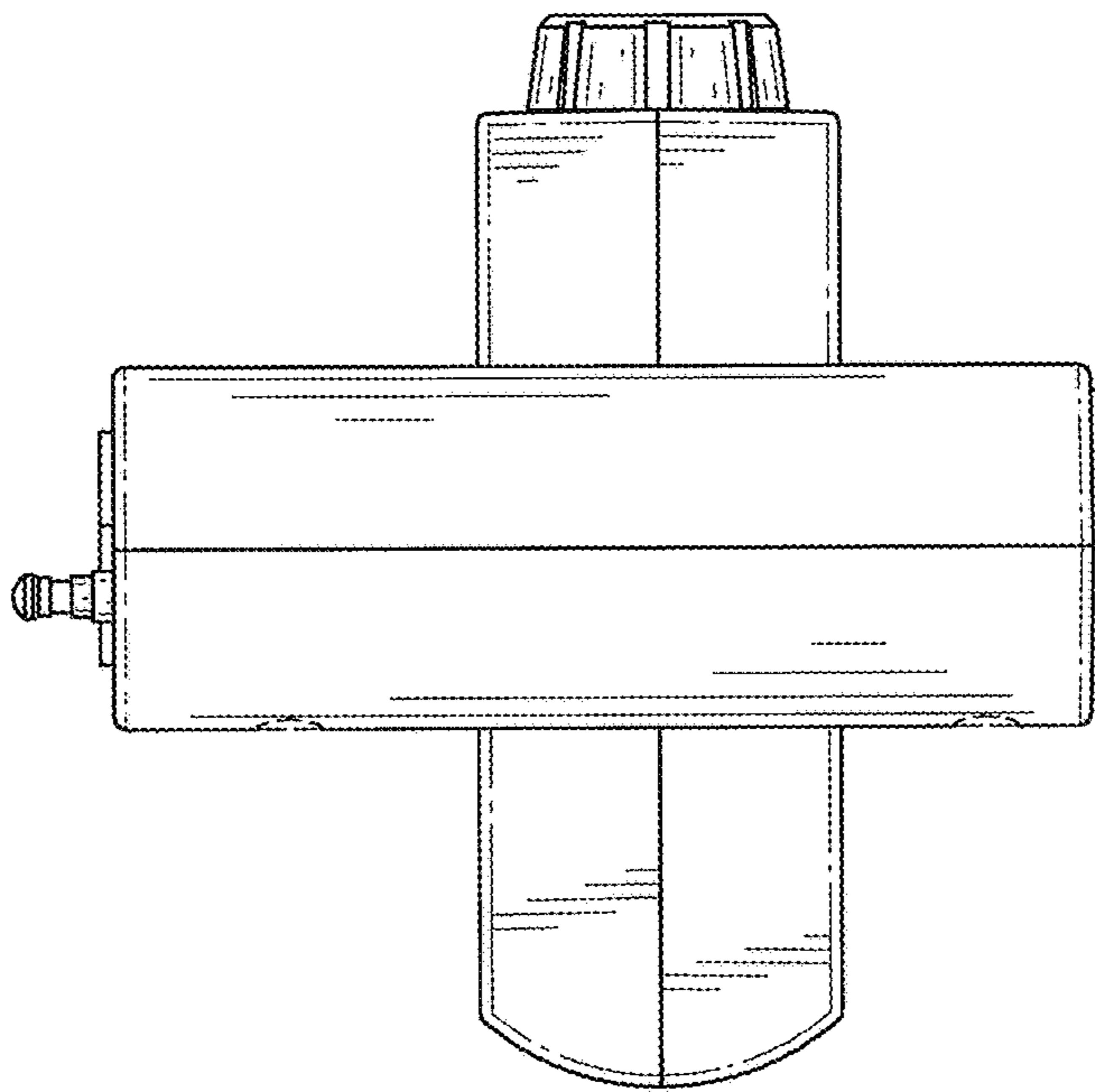


FIG. 7

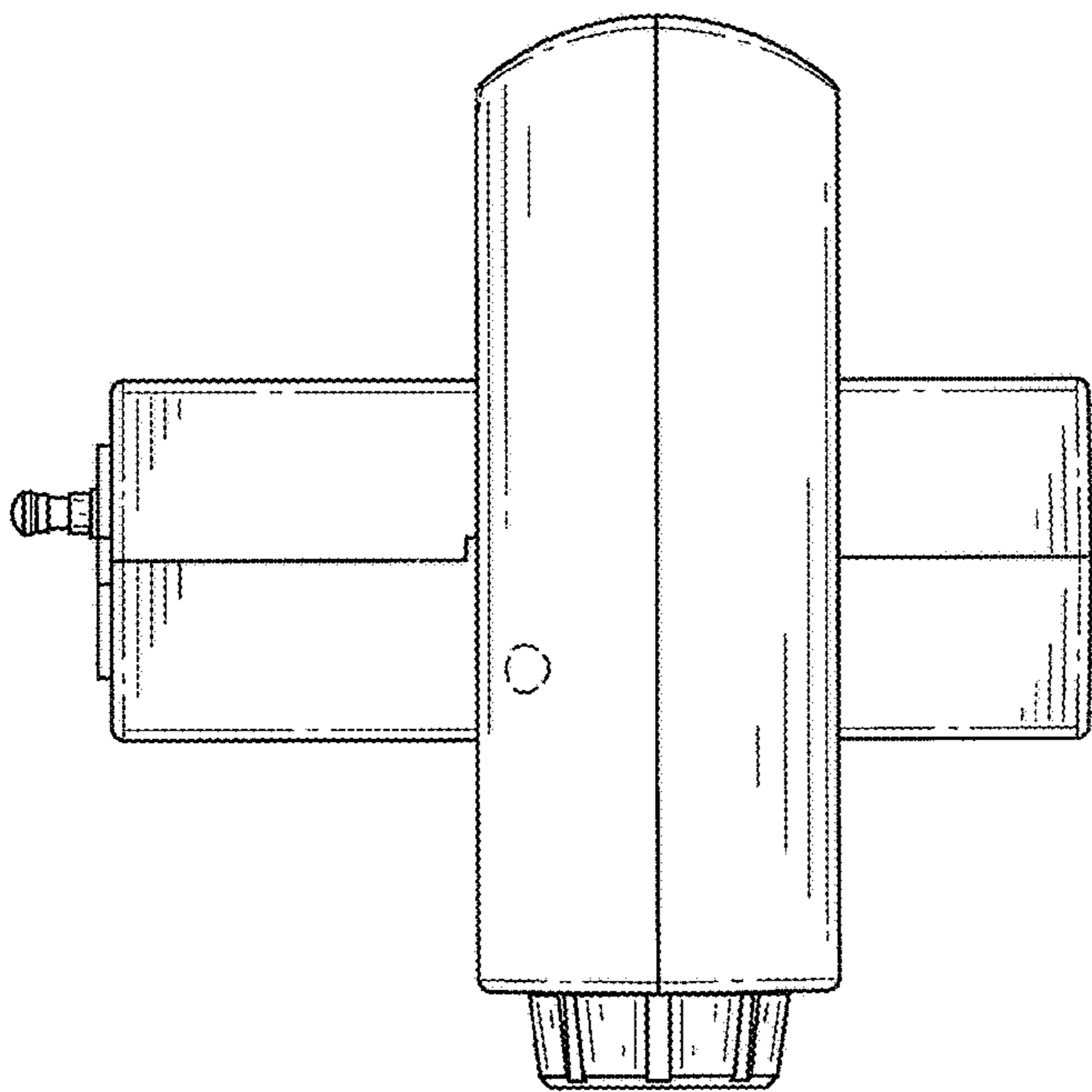


FIG. 8