



US00D836004S

(12) **United States Design Patent** (10) **Patent No.:** **US D836,004 S**
Oommen (45) **Date of Patent:** **** *Dec. 18, 2018**

(54) **PACKAGE OF CONTAINERS**

- (71) Applicant: **The Dannon Company, Inc.**, White Plains, NY (US)
- (72) Inventor: **Roy V. Oommen**, Bloomfield, NJ (US)
- (73) Assignee: **The Dannon Company, Inc.**, White Plains, NY (US)
- (*) Notice: This patent is subject to a terminal disclaimer.
- (**) Term: **15 Years**
- (21) Appl. No.: **29/583,382**
- (22) Filed: **Nov. 4, 2016**

Related U.S. Application Data

- (63) Continuation of application No. 29/500,072, filed on Mar. 15, 2013, now abandoned.
- (51) **LOC (11) Cl.** **09-03**
- (52) **U.S. Cl.**
USPC **D9/756**; D9/428; D9/425; D9/761
- (58) **Field of Classification Search**
USPC D9/737, 748, 749, 754, 755, 700, 686, D9/688, 689, 390, 424, 425, 434, 435, D9/454, 456, 416, 428; D3/201, 203.1, D3/203.2, 203.3, 203.4, 203.5, 203.6, D3/203.7, 203.8, 205, 273, 275, 294, 302; D7/509, 513, 354, 392.1, 394, 396.1, 538, D7/543-545, 550.1, 551, 554.3, 587, 566, D7/575, 584, 586, 619, 629, 667; D24/104, 226, 230; 229/400-406, 932, 229/906.1; 209/228, 354, 553, 557, 541, 209/775, 776, 119, 470, 508, 521.1, 545
CPC B65D 77/24; B65D 77/0433; B65D 81/3862; B65D 1/34; B65D 81/3813; B65D 5/48; B65D 5/48024; B65D 5/5069; B65D 25/00
See application file for complete search history.

(56) **References Cited**

U.S. PATENT DOCUMENTS

3,186,850 A * 6/1965 Anthony B65D 1/265
206/217
D218,843 S * 9/1970 Melich D7/544
3,673,987 A * 7/1972 Fletcher B65D 1/30
119/490
4,311,234 A * 1/1982 Wildgoose B65D 75/366
206/354
D273,842 S * 5/1984 Jeannin D9/424
D297,117 S * 8/1988 Fontana D9/737
D297,118 S * 8/1988 Fontana D9/737
4,844,328 A * 7/1989 Cooper B65D 71/20
206/427
D324,271 S * 2/1992 Frenkel D15/90
D345,611 S * 3/1994 Long D24/224
D369,971 S * 5/1996 Brauner D9/428

(Continued)

Primary Examiner — Susan Bennett Hattan
Assistant Examiner — Marie D. Fast Horse
(74) *Attorney, Agent, or Firm* — Greenberg Traurig, LLP

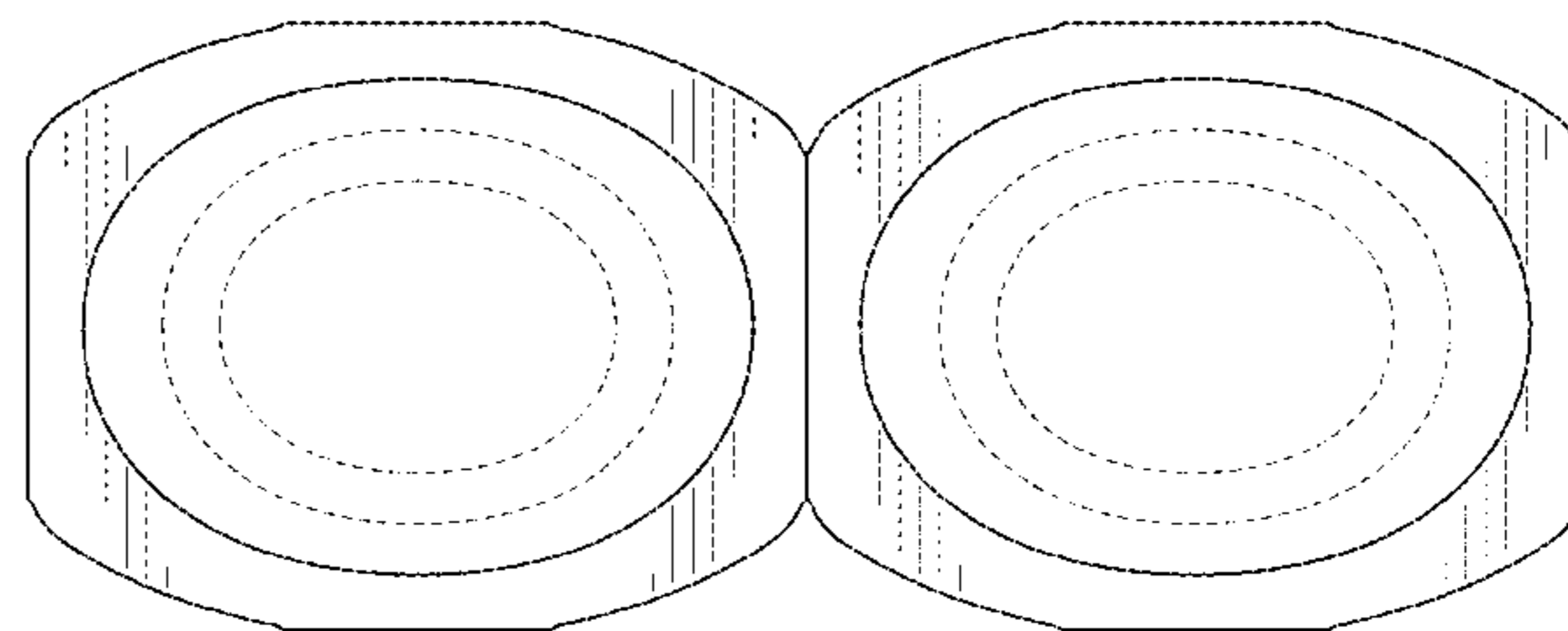
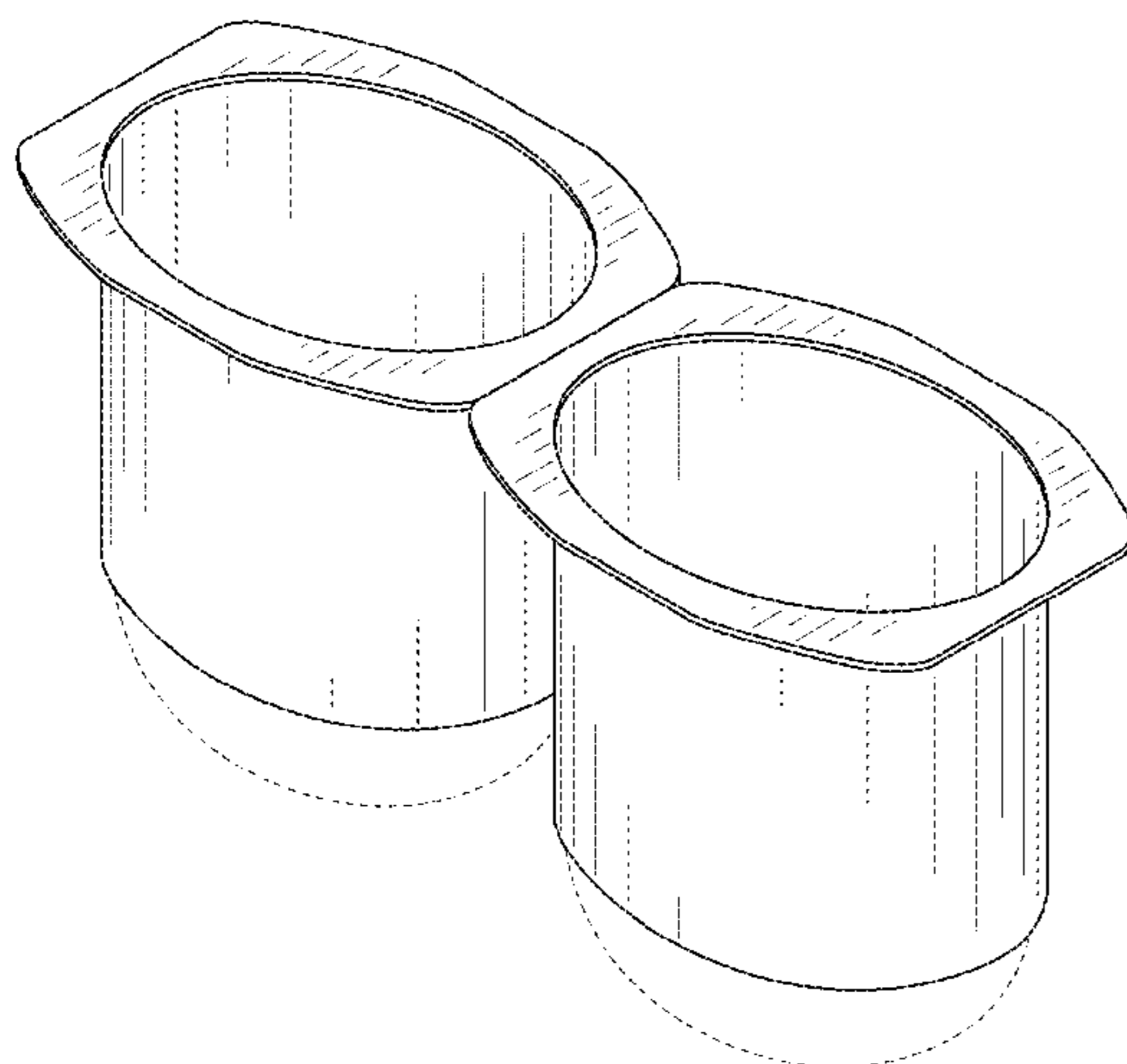
(57) **CLAIM**

The ornamental design for a package of containers, as shown and described.

DESCRIPTION

FIG. 1 is a perspective view of a package of containers showing my new design;
FIG. 2 is a top view thereof;
FIG. 3 is a front view thereof, the rear being a mirror image;
FIG. 4 is a right side view thereof, the left side being a mirror image; and,
FIG. 5 is a bottom view thereof.
The broken lines in the drawings depict environmental subject matter only and form no part of the claimed design.

1 Claim, 3 Drawing Sheets



(56)

References Cited

U.S. PATENT DOCUMENTS

D430,023 S * 8/2000 Shurtleff D9/425
 D440,874 S * 4/2001 Shurtleff D9/425
 D456,707 S * 5/2002 Agarwal D9/717
 6,499,595 B1 * 12/2002 Petricca A45D 27/225
 206/356
 6,523,686 B1 * 2/2003 Bae B65D 1/30
 206/315.9
 D477,122 S * 7/2003 Howard D34/1
 D485,942 S * 1/2004 McLeish D28/8.1
 D512,631 S * 12/2005 Lhoste D7/545
 D530,626 S * 10/2006 Tanja D9/416
 D535,195 S * 1/2007 Schwab D9/756
 D560,492 S * 1/2008 Markowicz D9/721
 D575,148 S * 8/2008 Sagel D9/761
 D577,996 S * 10/2008 Isono D9/428
 D580,750 S * 11/2008 Claassen D9/428
 D593,407 S * 6/2009 Seo D9/428
 D595,154 S * 6/2009 Nicholson D9/425
 D606,363 S * 12/2009 Aardenburg D7/400
 D645,340 S * 9/2011 Menard D9/428
 D650,637 S * 12/2011 Lasky D7/602
 D655,629 S * 3/2012 Blanton D9/761
 D665,250 S * 8/2012 Kirk D9/416
 8,529,974 B2 * 9/2013 Ortiz B65D 1/265
 206/804

D697,689 S * 1/2014 Krumholz D1/121
 D700,838 S * 3/2014 Oommen D9/425
 D710,686 S * 8/2014 Gowens D9/429
 8,871,285 B2 * 10/2014 Markoulis A47J 31/401
 206/219
 D739,230 S * 9/2015 Kervazo D9/425
 D739,724 S * 9/2015 Kervazo D9/425
 D739,725 S * 9/2015 Mohler D9/429
 D740,115 S * 10/2015 Kervazo D9/425
 D742,217 S * 11/2015 Bouveret D9/425
 D753,480 S * 4/2016 Paton D9/416
 D763,105 S * 8/2016 Forowycz D9/759
 D764,270 S * 8/2016 Paton D9/416
 D786,094 S * 5/2017 Kim D9/758
 D789,193 S * 6/2017 Bouveret D9/416
 D795,054 S * 8/2017 Likourezos D9/414
 2009/0321292 A1 * 12/2009 Prudden, Jr. B65D 1/30
 206/354
 2011/0139646 A1 * 6/2011 Sonnenberg A45D 27/225
 206/352
 2011/0226789 A1 * 9/2011 Georgelos B32B 27/18
 220/677
 2012/0251679 A1 * 10/2012 Ferry B65D 1/26
 426/130
 2014/0350135 A1 * 11/2014 Georgelos C08L 23/0815
 521/138

* cited by examiner

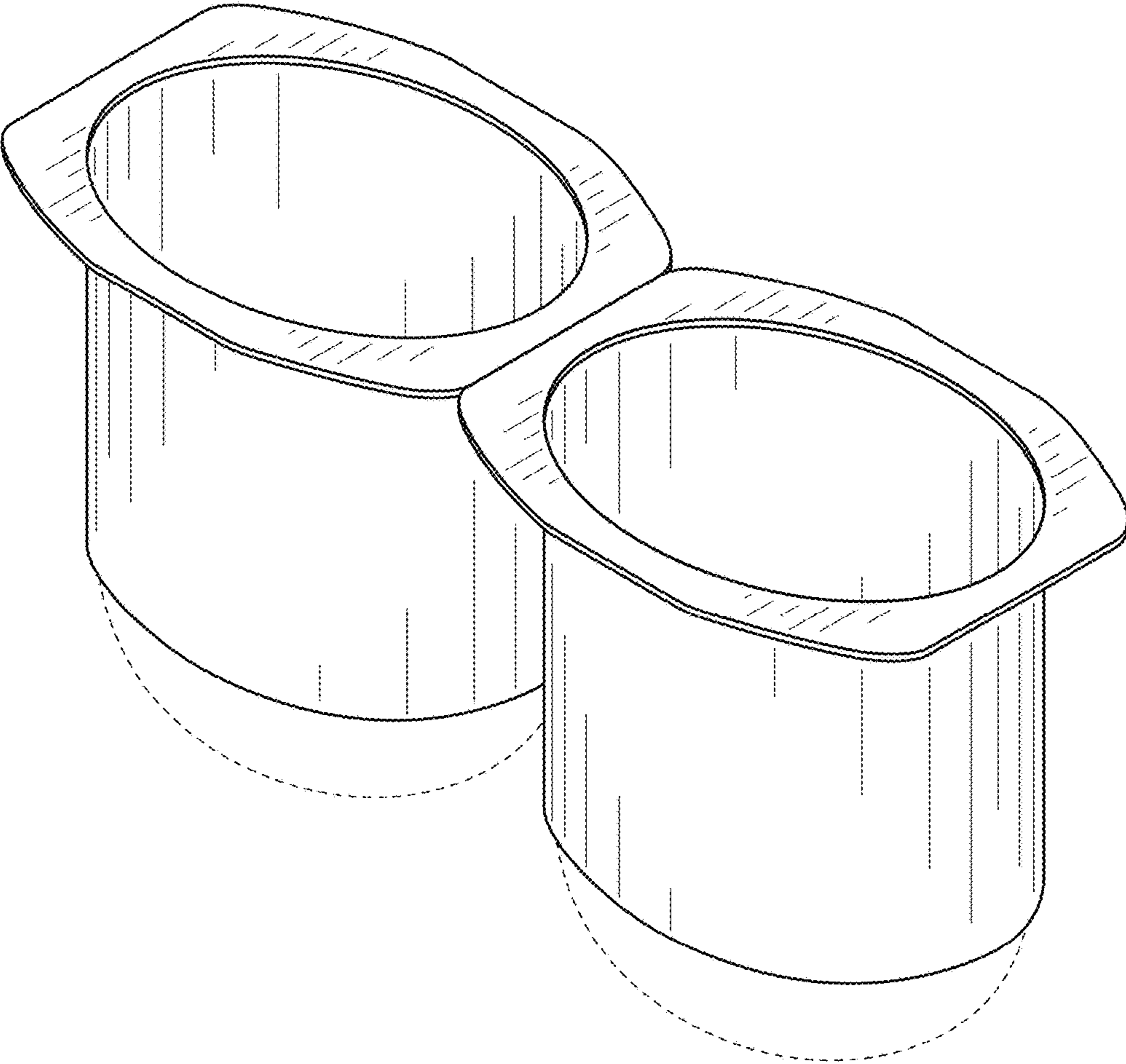


FIG. 1

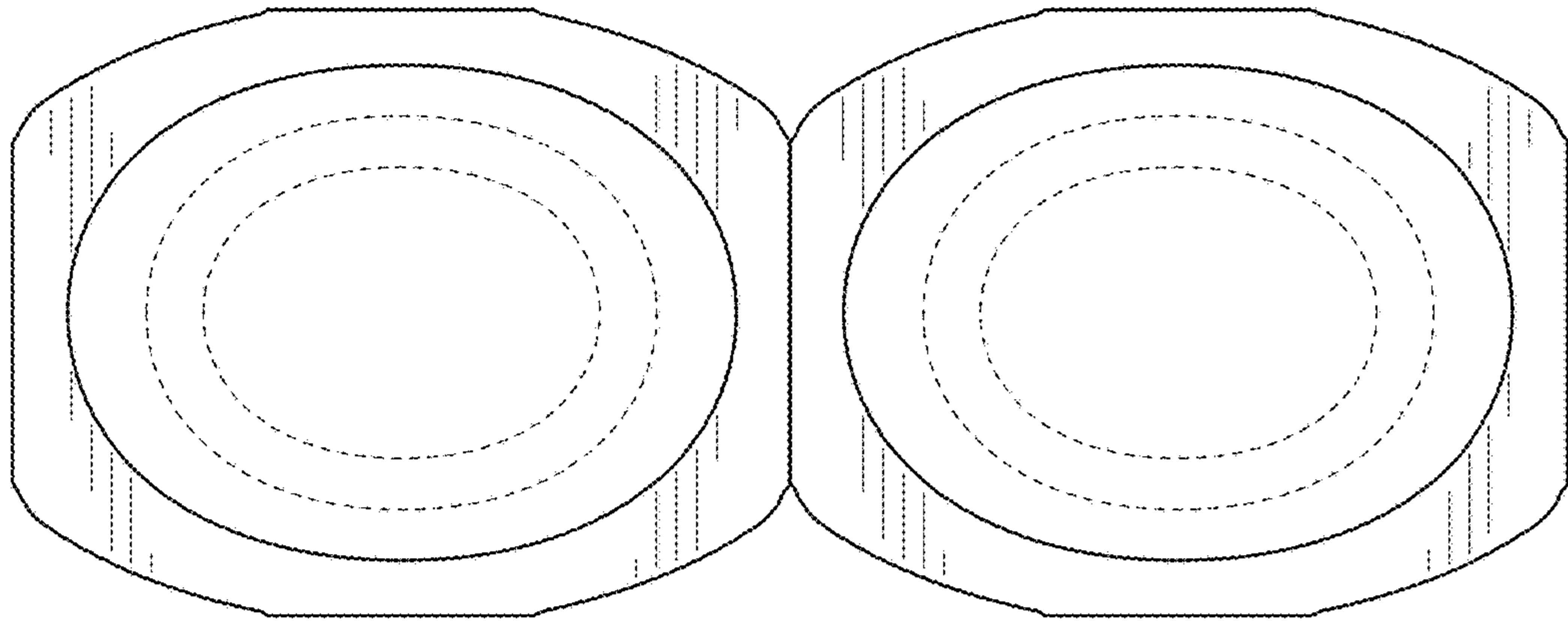


FIG. 2

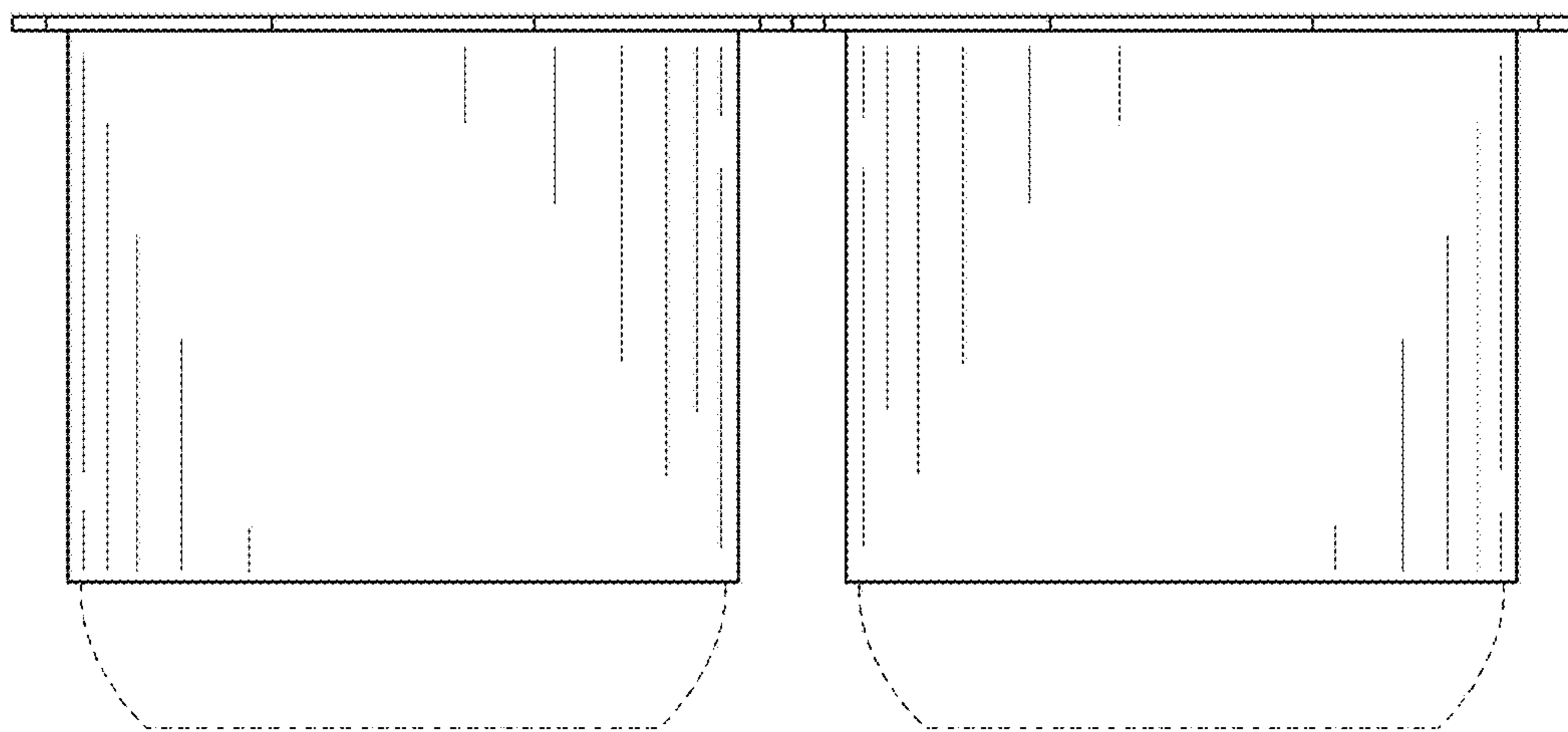


FIG. 3

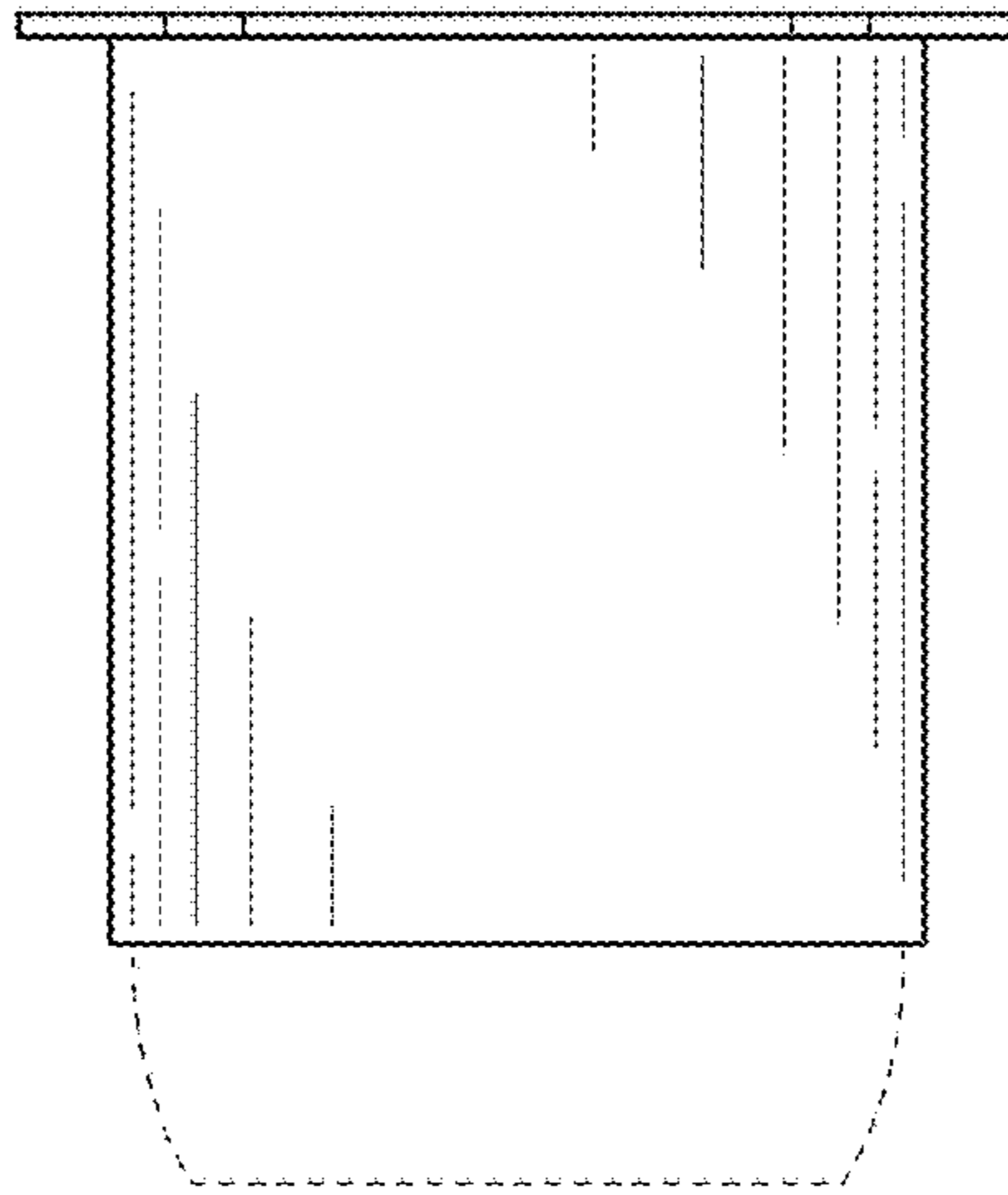


FIG. 4

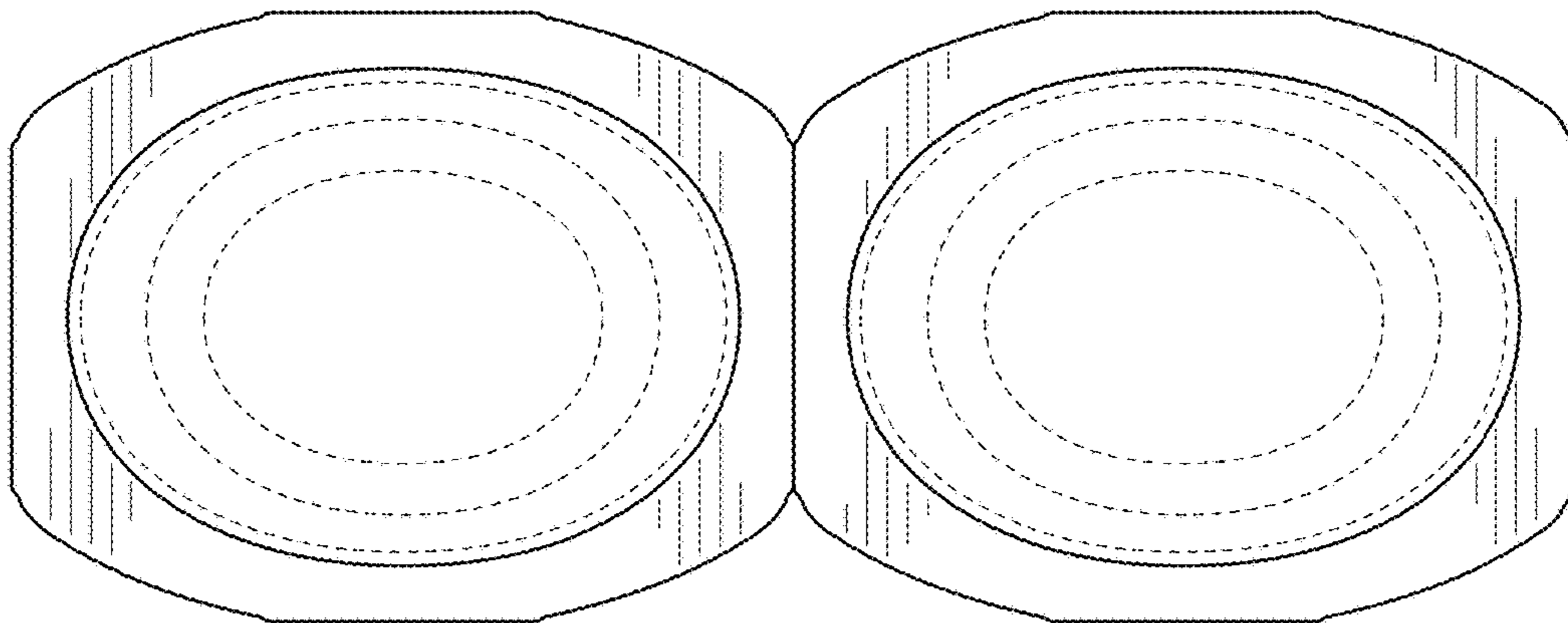


FIG. 5