



US00D836003S

(12) **United States Design Patent**  
**Ma**

(10) **Patent No.:** **US D836,003 S**

(45) **Date of Patent:** **\*\* Dec. 18, 2018**

(54) **TUB FOR WIPES**

(71) Applicant: **THE CLOROX COMPANY**, Oakland, CA (US)

(72) Inventor: **Benjamin Ma**, Pleasanton, CA (US)

(73) Assignee: **The Clorox Company**, Oakland, CA (US)

(\*\*) Term: **15 Years**

(21) Appl. No.: **29/631,051**

(22) Filed: **Dec. 27, 2017**

(51) **LOC (11) Cl.** ..... **09-01**

(52) **U.S. Cl.**

USPC ..... **D9/734**; D9/425

(58) **Field of Classification Search**

USPC ..... D9/414, 425, 432, 730, 734; D6/515, D6/518, 522, 523; D7/601, 602, 631

CPC ..... B65D 85/00; B65D 81/00; B65D 81/22; B65D 83/0805; A47K 2010/3266; A47K 10/42; A47K 10/426; G07F 11/00

See application file for complete search history.

(56) **References Cited**

**U.S. PATENT DOCUMENTS**

- 2,915,218 A \* 12/1959 Rosen ..... B65D 5/5011  
206/449
- D240,713 S \* 7/1976 Barnhart ..... D9/425
- 4,540,091 A \* 9/1985 Habock ..... B65D 75/06  
206/233
- D365,755 S \* 1/1996 Kanfer ..... D9/423
- D443,508 S \* 6/2001 Braaten ..... D9/734
- D454,015 S \* 3/2002 Okin ..... D9/734
- D461,403 S \* 8/2002 Chomik ..... D9/423
- D495,910 S \* 9/2004 Zaidman ..... D6/518

- D546,602 S \* 7/2007 Chasid ..... D6/518
- D639,658 S \* 6/2011 Yacht ..... D9/447
- D668,485 S \* 10/2012 Velazquez ..... D6/523
- D671,408 S \* 11/2012 Golota ..... D9/425
- D689,298 S \* 9/2013 Andochick ..... D3/303
- D693,671 S \* 11/2013 Bontrager ..... D9/425
- D725,491 S \* 3/2015 Gallien ..... D9/734
- D727,170 S \* 4/2015 Lokey ..... D9/415
- 9,809,356 B2 \* 11/2017 Kissner ..... B65D 43/169
- D807,169 S \* 1/2018 Pickard ..... D9/425
- 2003/0038041 A1 \* 2/2003 Stulens ..... B65D 83/0847  
206/205
- 2011/0114526 A1 \* 5/2011 Neumann ..... A45C 11/20  
206/459.5

\* cited by examiner

*Primary Examiner* — Lauren R Calve

(74) *Attorney, Agent, or Firm* — Alok Goel

(57) **CLAIM**

The ornamental design for a tub for wipes, as shown and described.

**DESCRIPTION**

FIG. 1 is a top front perspective view of a tub for wipes according to the invention.

FIG. 2 is a top rear perspective view thereof.

FIG. 3 is a bottom front perspective view thereof.

FIG. 4 is a top view thereof.

FIG. 5 is a bottom view thereof.

FIG. 6 is a front side view thereof.

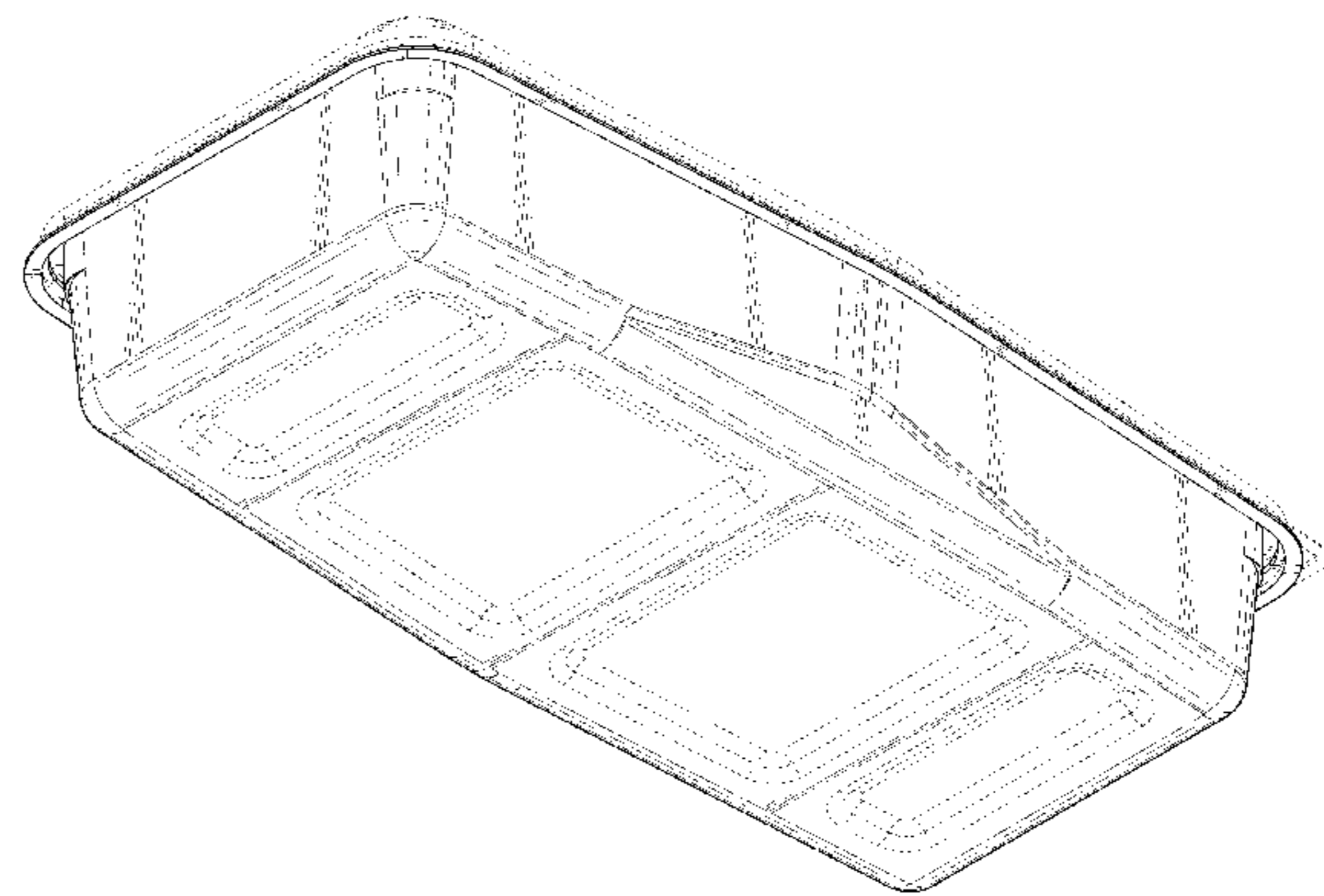
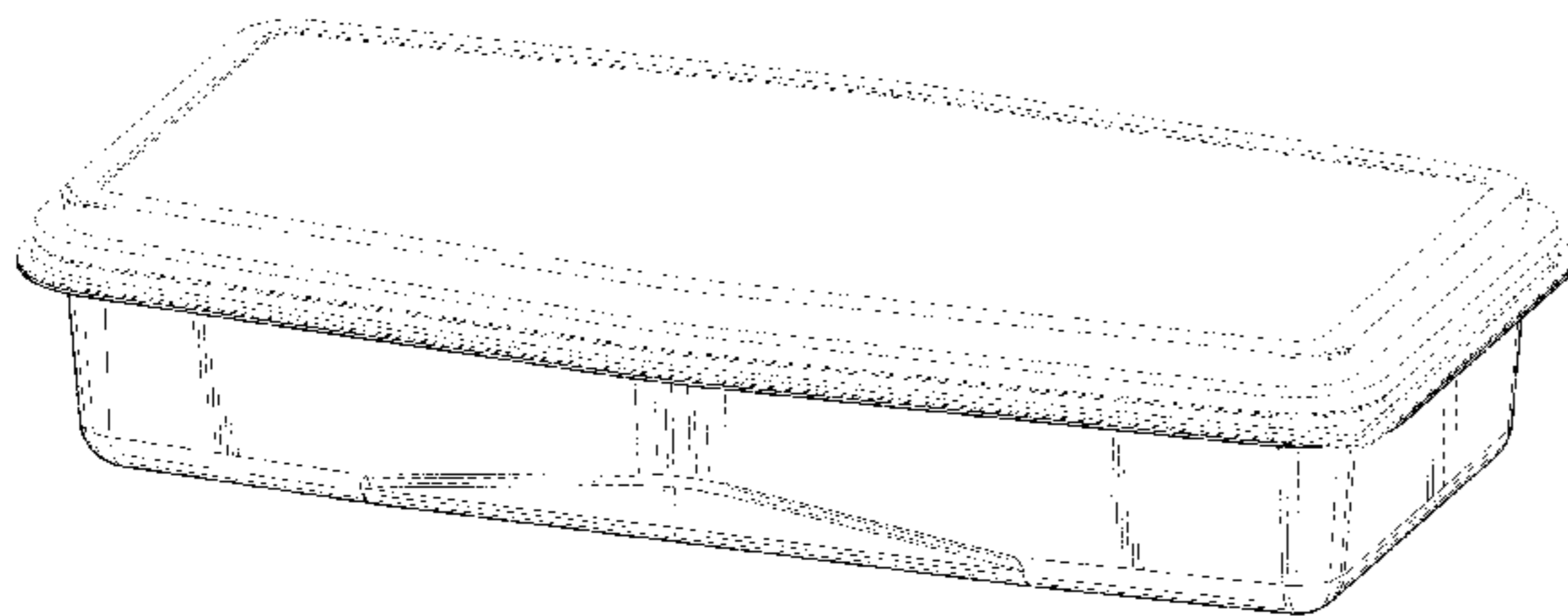
FIG. 7 is a rear side view thereof.

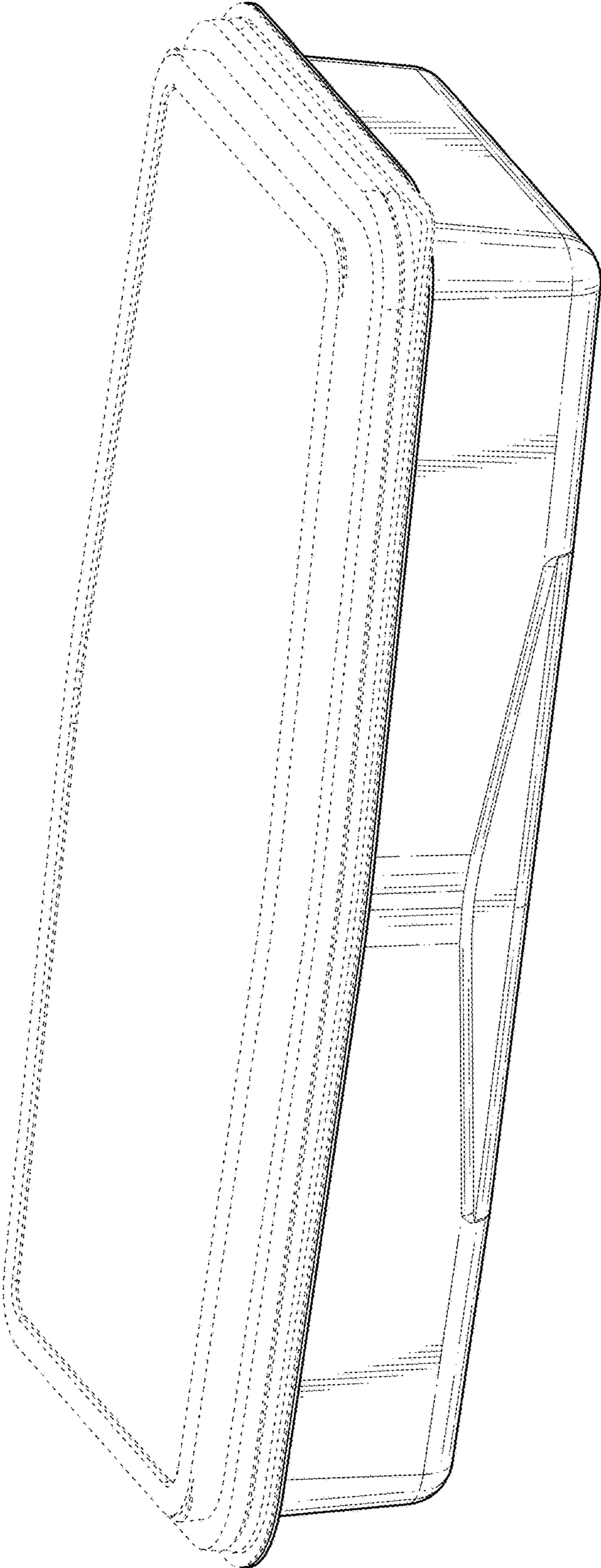
FIG. 8 is a first side view thereof; and,

FIG. 9 is an opposite, second side view thereof.

The broken lines showing environmental structure are for illustrative purposes only and form no part of the claimed design.

**1 Claim, 7 Drawing Sheets**





**Fig. 1**

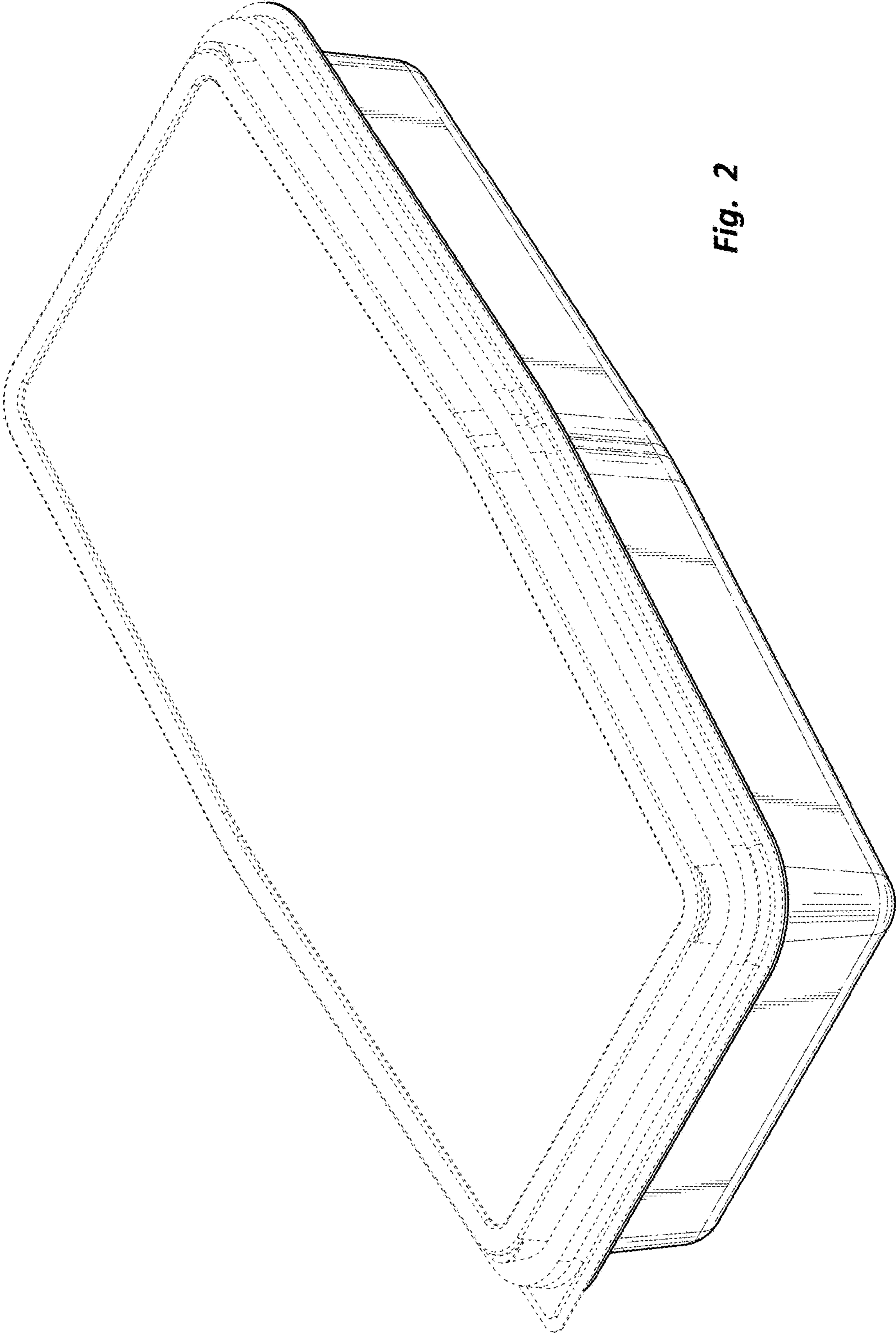


Fig. 2

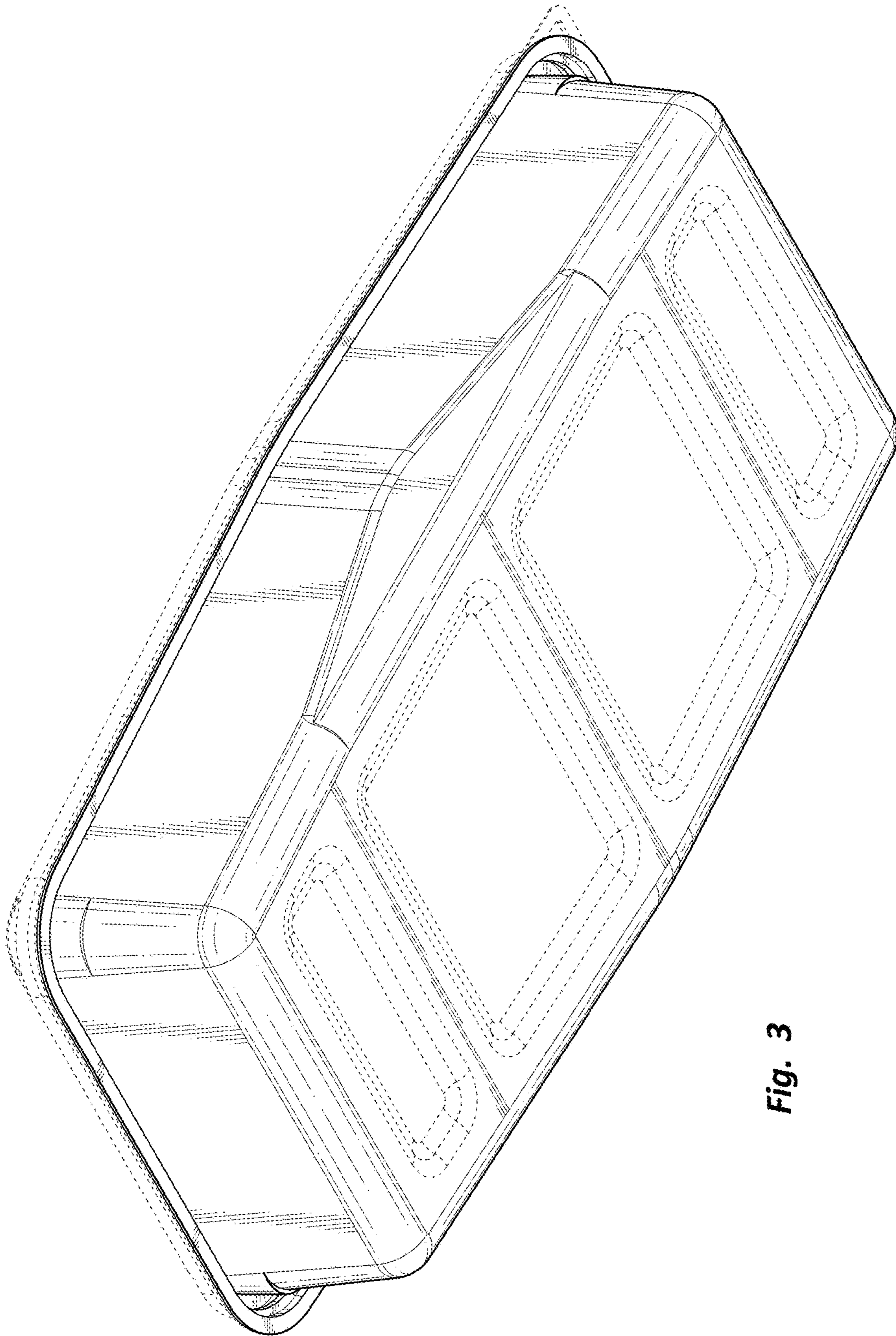
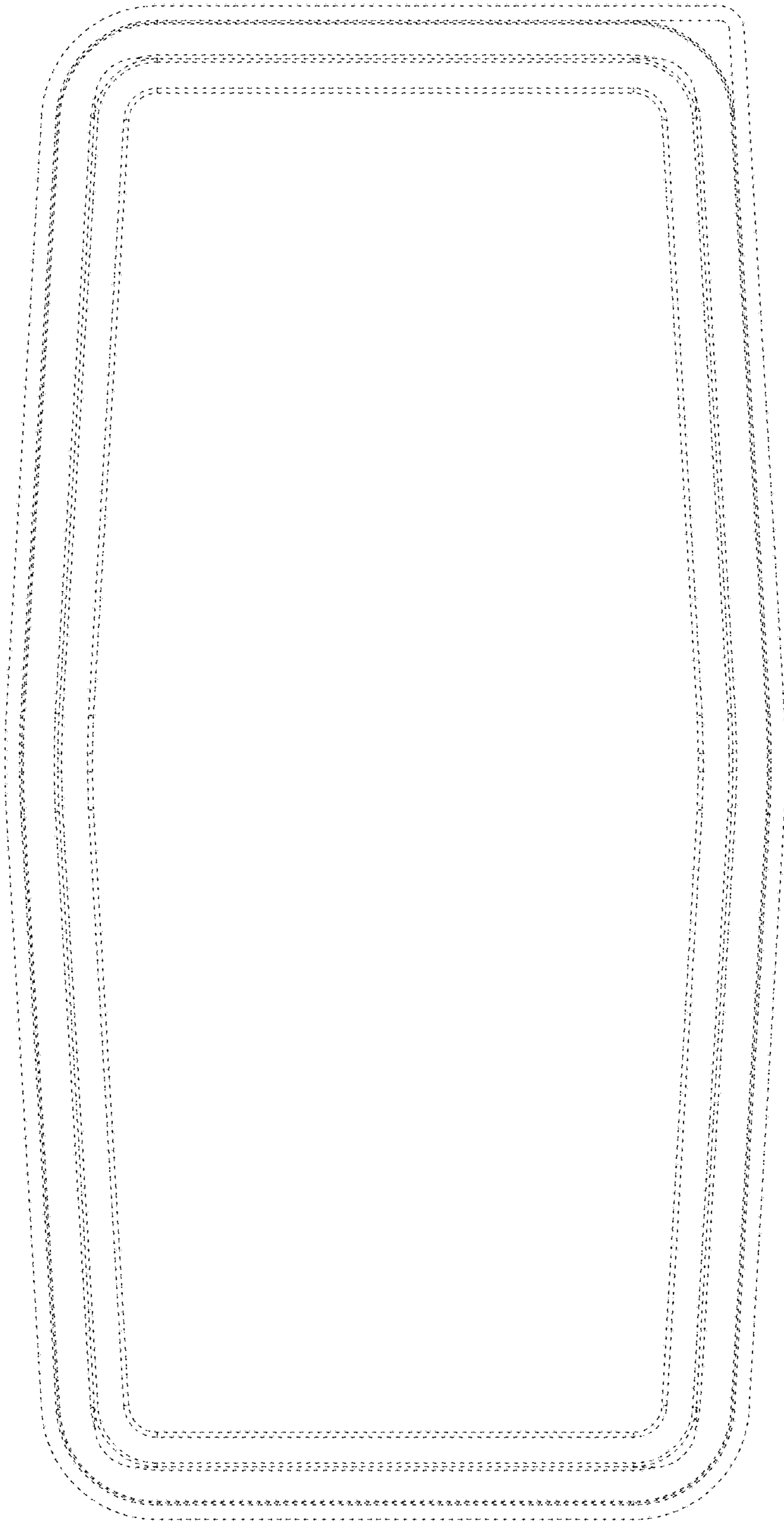


Fig. 3



**Fig. 4**

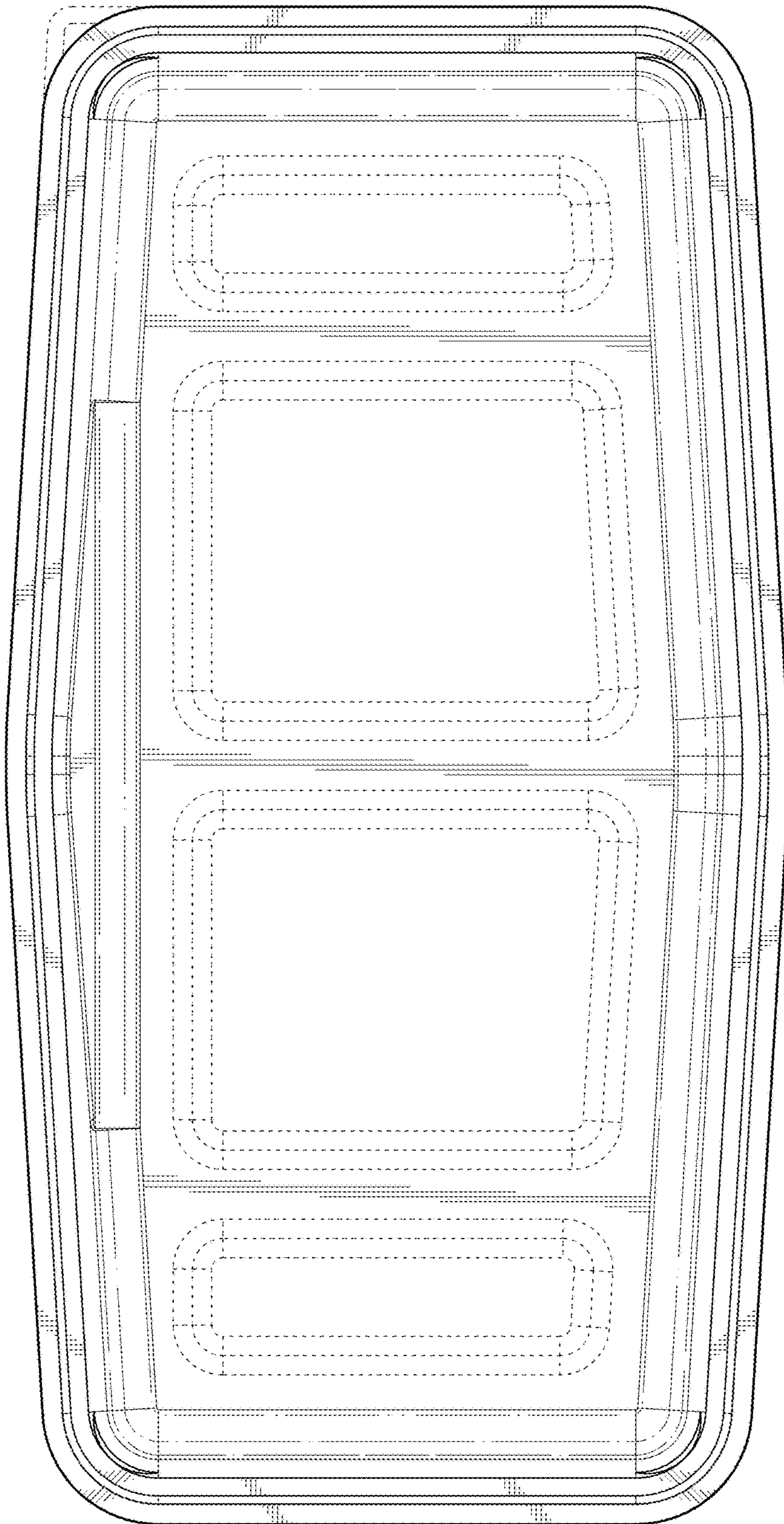


Fig. 5

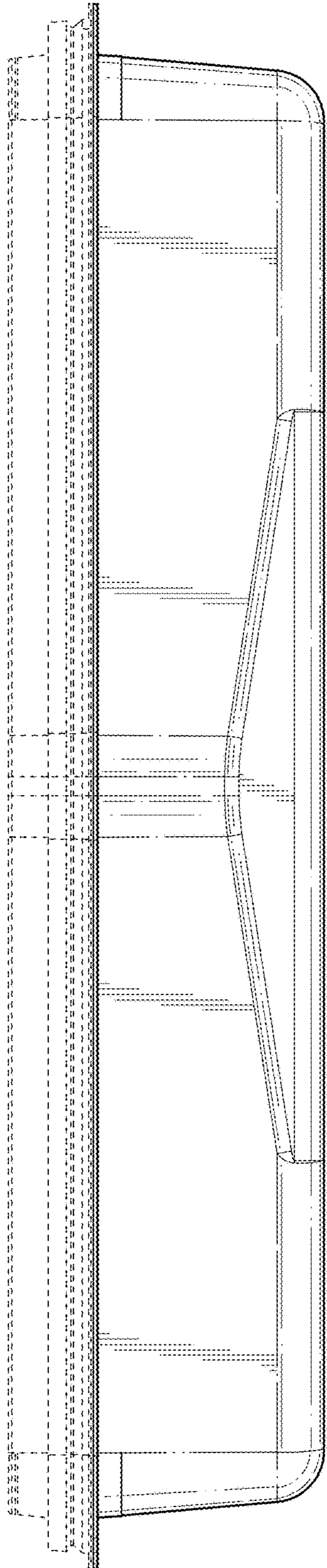


Fig. 6

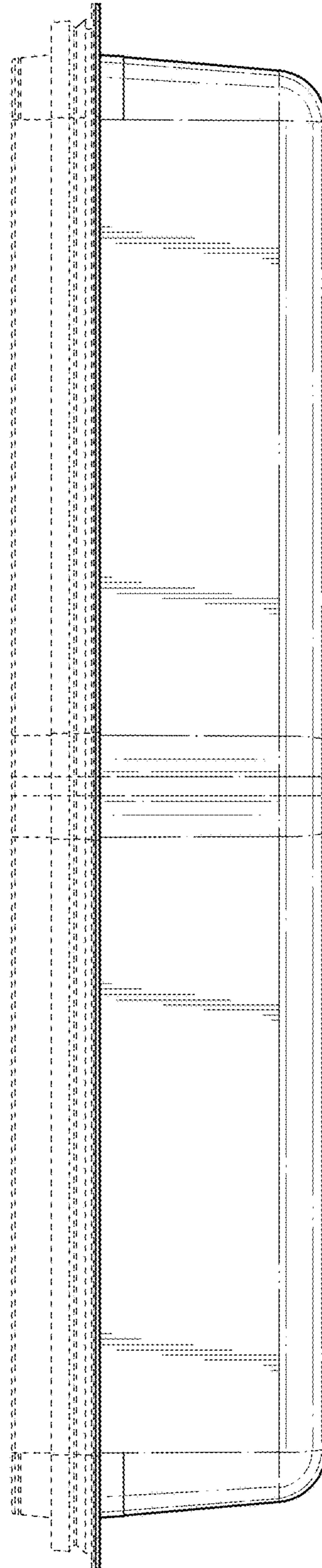
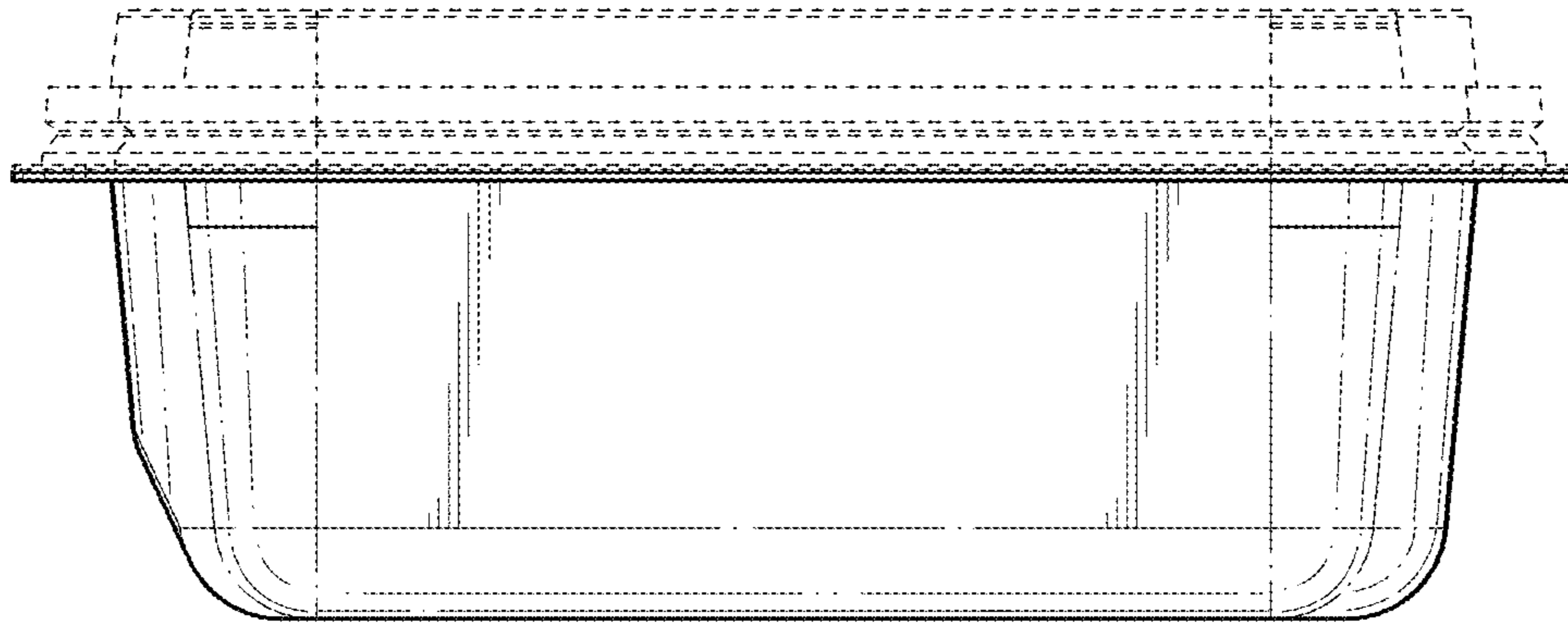
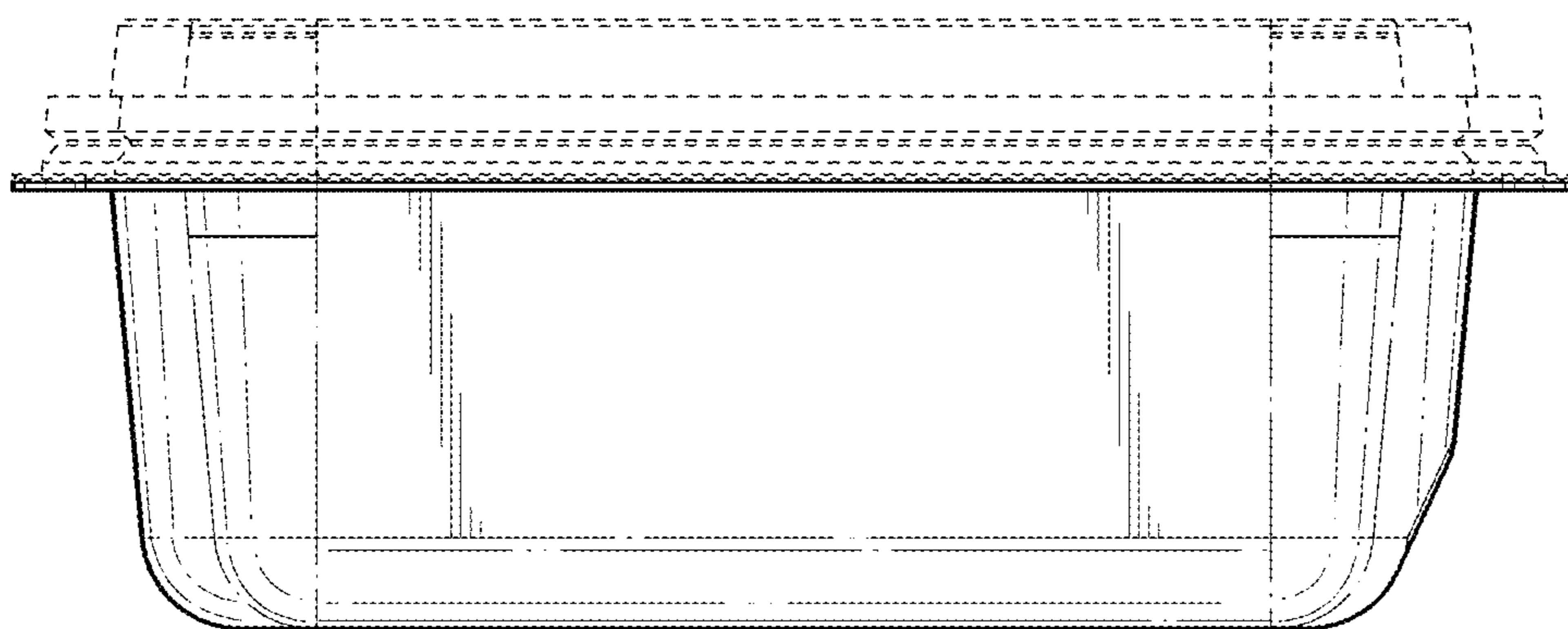


Fig. 7



**Fig. 8**



**Fig. 9**