



US00D836001S

(12) **United States Design Patent** (10) **Patent No.:** **US D836,001 S**
Wu (45) **Date of Patent:** **** Dec. 18, 2018**

(54) **BAR CODE FOR A POUCH**
(71) Applicant: **BIBO BARMAID LLC**, Clinton, NJ (US)
(72) Inventor: **Pak Keung Wu**, Kowloon (HK)
(73) Assignee: **Discovery Inc.**, Ross, CA (US)

4,171,755 A 10/1979 Carlisle
4,463,876 A 8/1984 Swallert
4,787,517 A 11/1988 Martin
4,808,346 A 2/1989 Strenger
D304,299 S 10/1989 Sakamoto
D306,555 S 3/1990 Lane et al.
4,915,261 A 4/1990 Strenger
(Continued)

(**) Term: **15 Years**

FOREIGN PATENT DOCUMENTS

(21) Appl. No.: **29/556,912**

WO 2013190472 A1 12/2013

(22) Filed: **Mar. 4, 2016**

OTHER PUBLICATIONS

(51) **LOC (11) Cl.** **09-05**

“International Search Report and Written Opinion for PCT Patent Application No. PCT/US2017/020840”, dated Jun. 8, 2017, 8 Pages.

(52) **U.S. Cl.**
USPC **D9/707**

(Continued)

(58) **Field of Classification Search**

USPC D19/1–12; D9/702–714, 652, 424, 452, D9/499; 206/494, 527, 800, 831, 830; 215/400; 220/890; D14/489–495; D20/11–12; 222/92, 107; 235/293, 487, 235/492, 494, 460, 462.01–462.09, 456; 283/72–73, 901, 81; 400/103–107; 40/124.5, 299.01, 308, 310, 625, 629, 40/606.05
CPC B65D 83/00; B65D 83/0094; B65D 75/5883; B65D 75/008; B65D 75/26; B65D 75/28; B65D 1/00; B65D 1/22; B65D 1/02; B65D 1/32; B65D 1/34; B65D 1/40; G09F 3/10

Primary Examiner — Abraham Bahta
(74) *Attorney, Agent, or Firm* — Medley, Behrens & Lewis LLC; Lorri W. Cooper

See application file for complete search history.

(57) **CLAIM**

The ornamental design for a bar code for a pouch, as shown and described.

DESCRIPTION

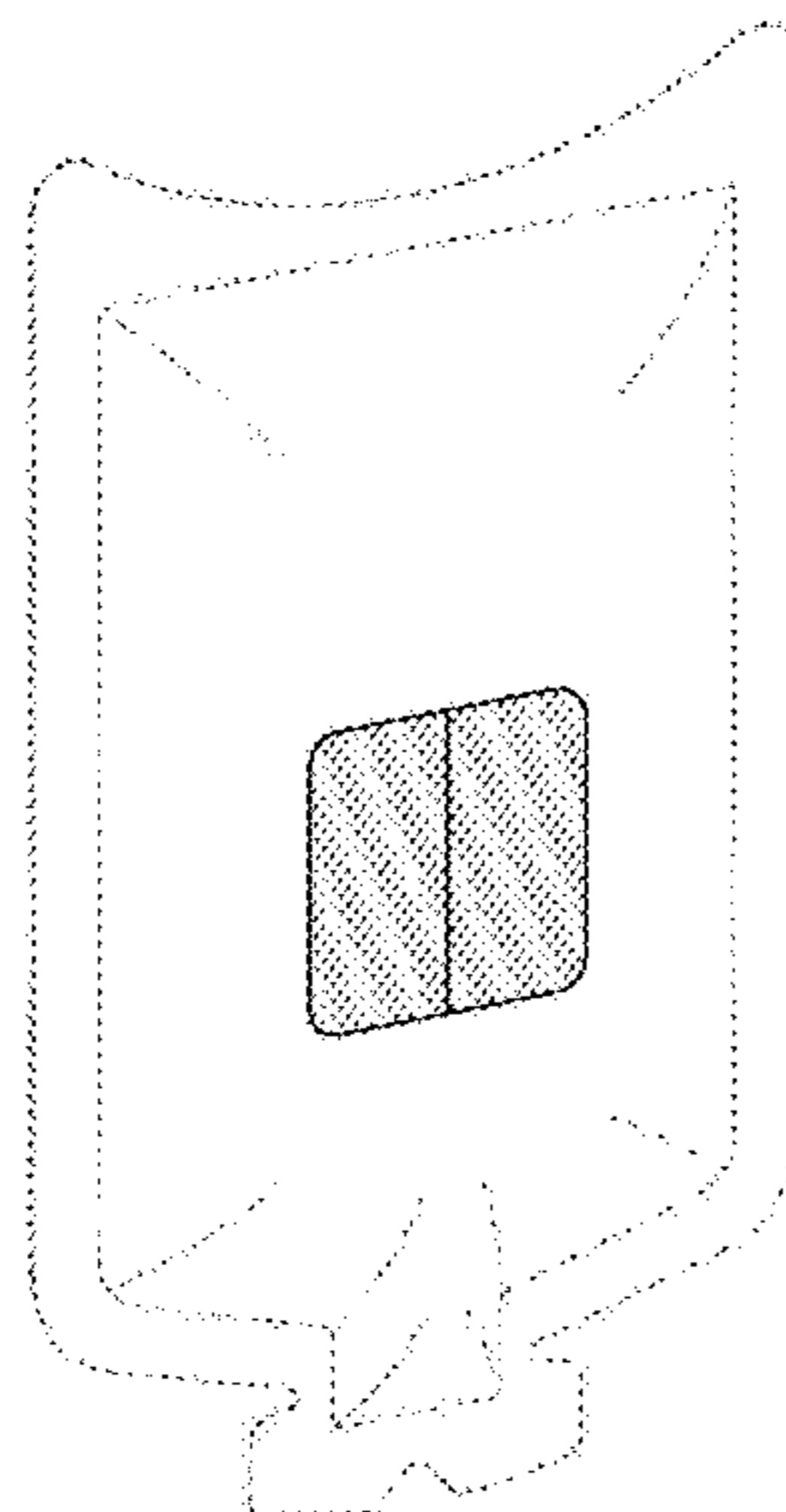
FIG. 1 is a perspective view of the bar code for a pouch showing my new design; FIG. 2 is a front plan view thereof, the rear plan view being a mirror image thereof without the bar code; FIG. 3 is a right-side view thereof, the left side view being a mirror image thereof; FIG. 4 is a bottom plan view thereof; and, FIG. 5 is a top plan view thereof. The broken line showing of portions of the bar code for a pouch in FIGS. 1-5 is included for the purpose of illustrating environmental structure and forms no part of the claimed design.

(56) **References Cited**

U.S. PATENT DOCUMENTS

2,103,389 A 12/1937 Salfisberg
2,635,788 A 4/1953 Snyder et al.
2,663,461 A 12/1953 Brown
3,009,498 A 11/1961 Fohr
3,186,625 A 6/1965 Mead et al.
3,199,437 A 8/1965 Nelsen
3,429,495 A 2/1969 McClosky
3,741,778 A 6/1973 Rowe

1 Claim, 3 Drawing Sheets



(56)

References Cited

U.S. PATENT DOCUMENTS

D309,432 S 7/1990 Mancini
 D319,976 S 9/1991 Wortley et al.
 5,067,635 A 11/1991 Thomsen
 D351,992 S 11/1994 Jacques
 5,369,261 A 11/1994 Shamir
 D354,906 S 1/1995 Lane, Jr. et al.
 5,426,289 A 6/1995 Kinoshita et al.
 5,497,913 A 3/1996 Baker
 5,568,555 A 10/1996 Shamir
 5,684,885 A 11/1997 Cass et al.
 D392,559 S 3/1998 Smith et al.
 5,869,828 A 2/1999 Braginsky
 5,986,769 A 11/1999 Krzyminski
 6,155,457 A 12/2000 Landa et al.
 6,164,825 A 12/2000 Larkin et al.
 D442,078 S 5/2001 Fuquen
 6,262,804 B1 7/2001 Friend et al.
 D452,144 S 12/2001 Tedeschi, Jr. et al.
 6,354,502 B1 3/2002 Hagstrom et al.
 D455,645 S 4/2002 Bell et al.
 D463,974 S 10/2002 Berman
 6,478,223 B1 11/2002 Ackley
 D484,972 S 1/2004 Steele, IV et al.
 6,825,919 B2 11/2004 Beimers et al.
 D501,399 S 2/2005 Tobolka
 6,902,113 B2 6/2005 Sali et al.
 D509,751 S 9/2005 Risgalla
 6,976,631 B2 12/2005 Kashi et al.
 7,051,935 B2 5/2006 Sali et al.
 D523,758 S 6/2006 Risgalla
 7,118,041 B2 10/2006 Taylor
 7,124,957 B2 10/2006 Hosoi et al.
 D533,462 S 12/2006 Bachmann
 7,210,631 B2 5/2007 Sali et al.
 D545,689 S 7/2007 Peel
 D550,568 S 9/2007 Lau et al.
 D555,010 S 11/2007 Maier et al.
 D558,594 S 1/2008 Kirou et al.
 7,401,738 B2 7/2008 Hosoi et al.
 D578,010 S 10/2008 Friedland et al.
 D578,011 S 10/2008 Friedland et al.
 D578,016 S 10/2008 Friedland et al.
 D578,017 S 10/2008 Friedland et al.
 D578,018 S 10/2008 Friedland et al.
 D578,019 S 10/2008 Friedland et al.
 D580,780 S 11/2008 Kelly et al.
 D580,782 S 11/2008 Murray
 D585,302 S 1/2009 Beyer et al.
 7,478,746 B2 1/2009 Cattrone
 D586,231 S 2/2009 Friedland et al.
 D587,597 S 3/2009 Friedland et al.
 D595,592 S 7/2009 Beyer et al.
 D601,037 S 9/2009 Beyer et al.
 D610,467 S 2/2010 Kozarsky
 7,676,066 B2 3/2010 Jancke
 D613,181 S 4/2010 Friedland et al.
 D623,536 S 9/2010 Bohmke
 D627,236 S 11/2010 Kozarsky
 7,850,067 B1 12/2010 Persson et al.

D640,566 S 6/2011 Norlin et al.
 7,978,911 B2 7/2011 Cheong et al.
 D643,745 S 8/2011 Hartley
 8,038,064 B2 10/2011 Ming et al.
 8,096,480 B2 1/2012 Yi et al.
 8,191,783 B2 6/2012 Cheon
 8,218,857 B2 7/2012 Moriyama et al.
 D668,554 S 10/2012 Tsuchiya
 D676,335 S 2/2013 Murray
 D676,336 S 2/2013 Murray
 D689,371 S 9/2013 Ross
 D689,776 S 9/2013 Murray
 D692,315 S 10/2013 Bohmke et al.
 D692,316 S 10/2013 Bohmke et al.
 8,550,350 B2 10/2013 Cattrone et al.
 8,570,593 B2 10/2013 Parkhurst et al.
 D693,241 S 11/2013 Kilber et al.
 D695,132 S 12/2013 Bouthillon
 8,600,158 B2 12/2013 Li et al.
 D698,663 S 2/2014 Lin
 D700,066 S 2/2014 Berman
 8,657,200 B2 2/2014 Ren et al.
 D703,549 S 4/2014 Murray
 8,727,221 B1 5/2014 Davalos et al.
 8,752,768 B2 6/2014 Gao
 8,800,874 B2 8/2014 Gao
 8,888,329 B2 11/2014 Harbers et al.
 8,891,862 B1 11/2014 Wolk et al.
 8,910,875 B2 12/2014 Ren et al.
 D723,385 S 3/2015 Gaudard
 9,025,223 B2 5/2015 Murakami
 9,027,843 B2 5/2015 Mesh-Iliescu et al.
 D736,099 S 8/2015 Deuerer
 9,194,746 B1 11/2015 Reda et al.
 9,251,414 B2 2/2016 Wolk et al.
 D764,936 S * 8/2016 Schader D9/703
 2004/0007588 A1 1/2004 Danby
 2004/0131286 A1 7/2004 Rosen
 2005/0194444 A1 9/2005 Gieske
 2006/0081711 A1 4/2006 Zhao et al.
 2006/0262975 A1 11/2006 Gyu
 2008/0010950 A1 1/2008 Peck et al.
 2010/0007899 A1 1/2010 Lay
 2011/0180604 A1 7/2011 Murray
 2015/0120423 A1 4/2015 Farn et al.
 2015/0256834 A1 9/2015 Mesh-Iliescu et al.
 2015/0307248 A1 10/2015 Patwardhan et al.
 2015/0347886 A1 12/2015 Fang

OTHER PUBLICATIONS

Google Image Search Results for Single Serve Liquid Portion Pack Pouch, Retrieved Date: Sep. 15, 2015, Retrieved At: <<https://www.google.com/search?q=single+serve+liquid+portion+pac+pouch&rlz=1T4GGHP_enUS617US617&source=Inms&tbm=isch>>, pp. 1-7.
 Google Image Search Results for Pouch Shapes, Retrieved Date: Sep. 15, 2015, Retrieved At: <<[* cited by examiner](https://www.google.com/search?q=pouch+shapes&rlz=1T4GGHP_enUS617US617&tbm=isch&tbo=u&source=univ&sa=X&ved=0CB4Q>> >>, pp. 1-8.</p>
</div>
<div data-bbox=)

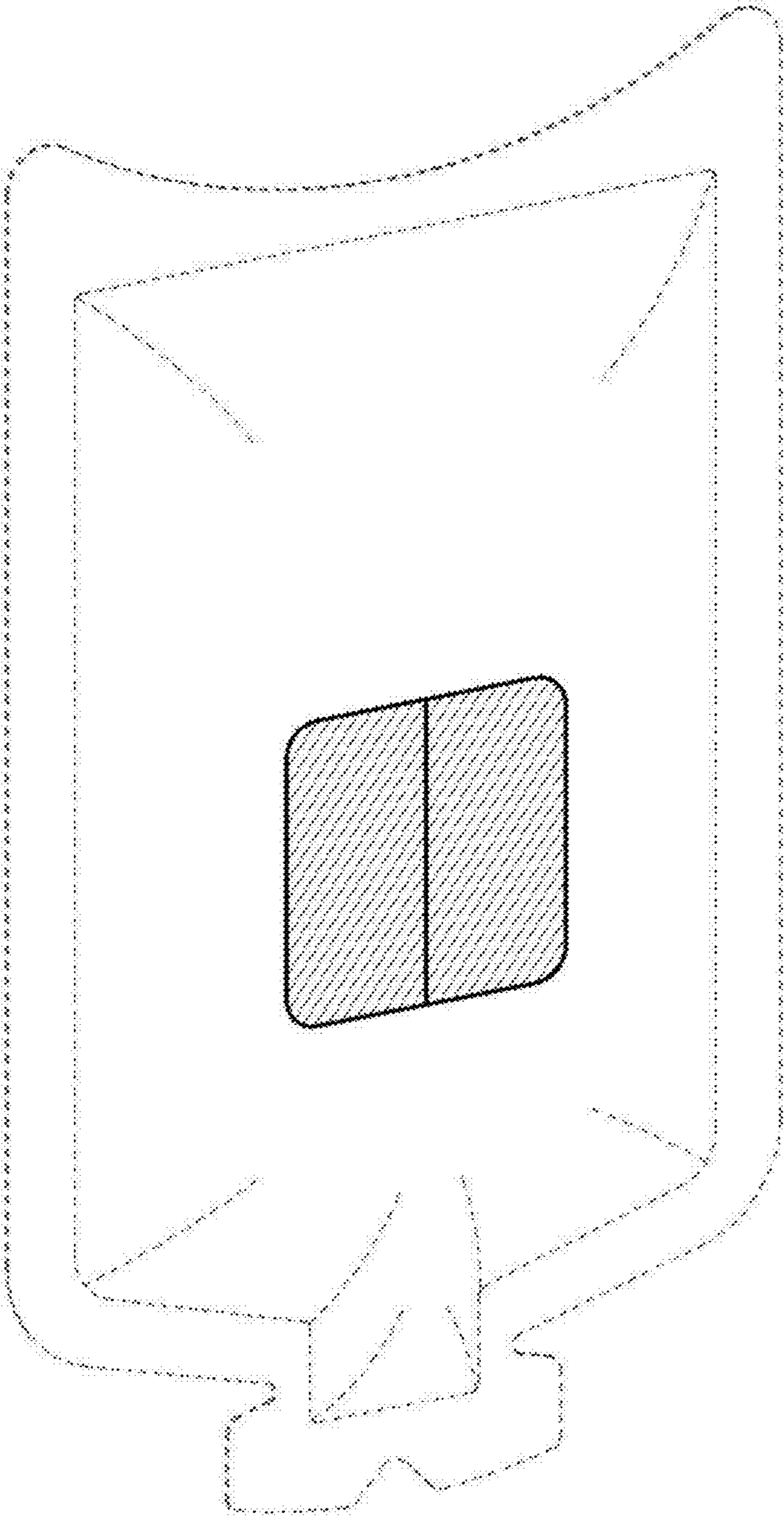


FIG. 1

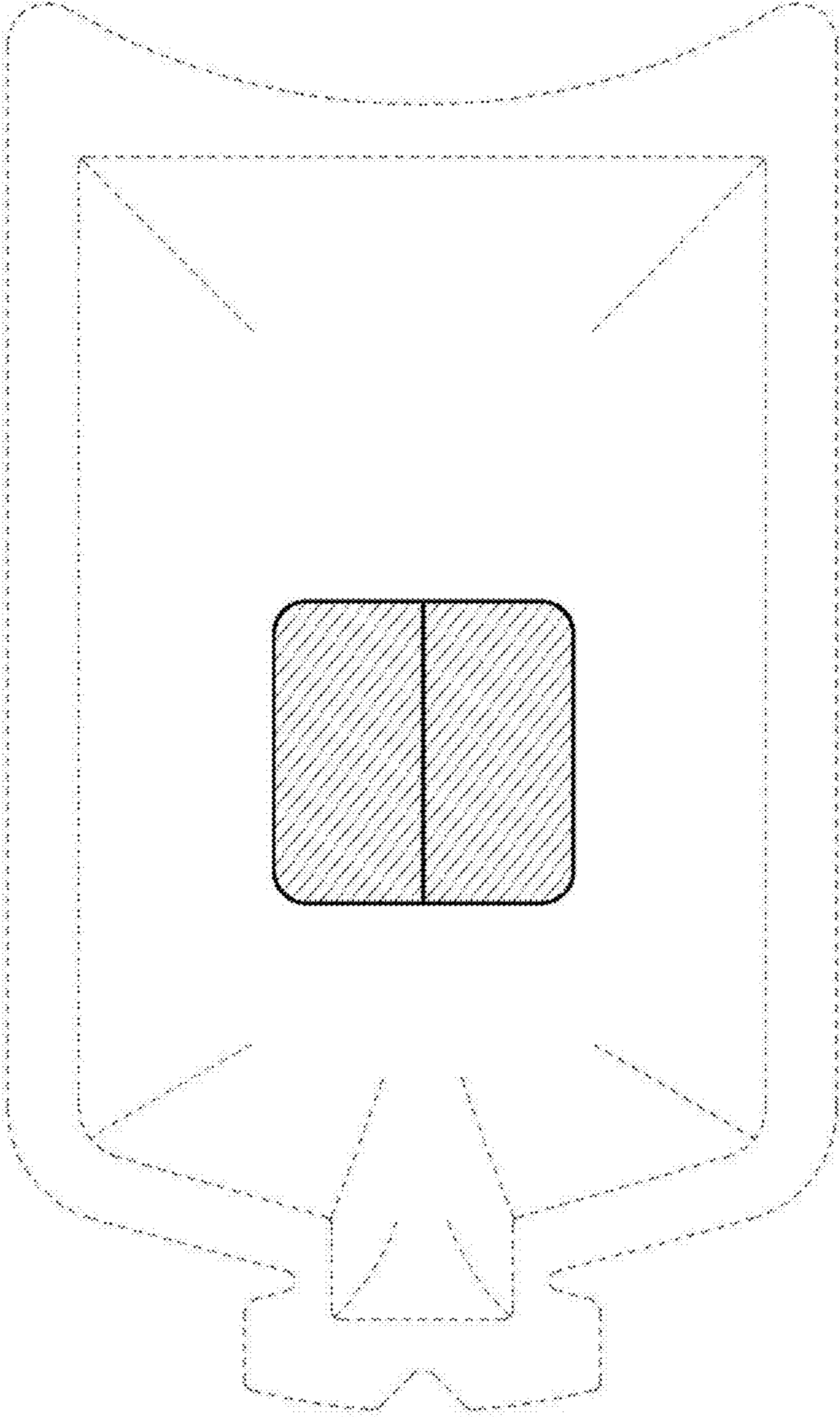


FIG. 2

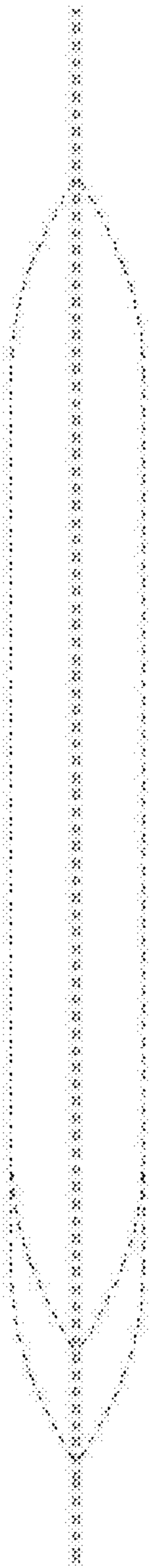


FIG. 3

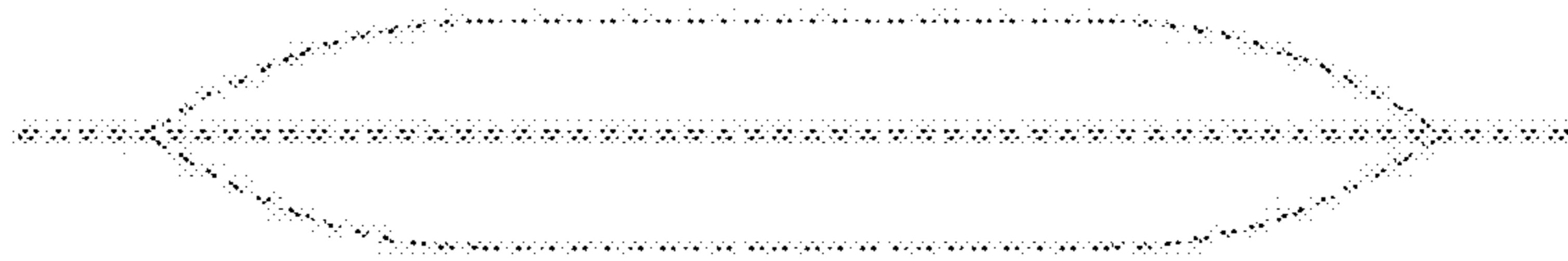


FIG. 4

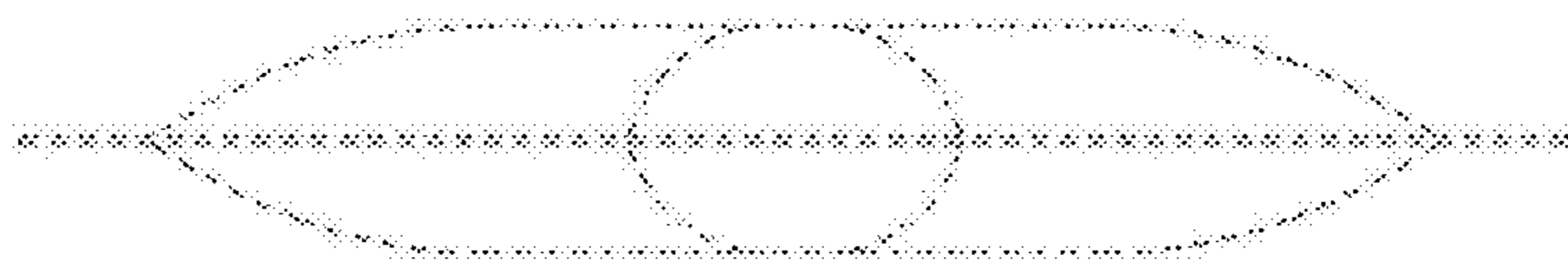


FIG. 5