



US00D836000S

(12) **United States Design Patent** (10) **Patent No.:** **US D836,000 S**
Huggins (45) **Date of Patent:** **** Dec. 18, 2018**

(54) **PRODUCT PACKAGE FOR ABSORBENT ARTICLES**

Primary Examiner — Sandra L Morris
(74) *Attorney, Agent, or Firm* — George H. Leal

(71) Applicant: **The Procter & Gamble Company,**
Cincinnati, OH (US)

(57) **CLAIM**

The ornamental design for a product package for absorbent articles, as shown and described.

(72) Inventor: **Tracy Huggins,** Ft. Wright, KY (US)

DESCRIPTION

(73) Assignee: **The Procter & Gamble Company,**
Cincinnati, OH (US)

(**) Term: **15 Years**

(21) Appl. No.: **29/613,428**

(22) Filed: **Aug. 10, 2017**

(51) **LOC (11) Cl.** **09-01**

(52) **U.S. Cl.**

USPC **D9/631; D9/434**

(58) **Field of Classification Search**

USPC D3/270, 271.1–271.4; D9/600, 631, 652,
D9/414–434; 206/457, 459.5, 527;
215/381–384, 400; 229/116.1

CPC B65D 5/42; B65D 5/4208; B65D 81/30;
B65D 81/60; B65D 81/365; B65D
81/366; B65D 81/368; B65D 81/2015;
B65D

(Continued)

(56) **References Cited**

U.S. PATENT DOCUMENTS

D249,468 S * 9/1978 Carroll B65D 85/00
D9/631

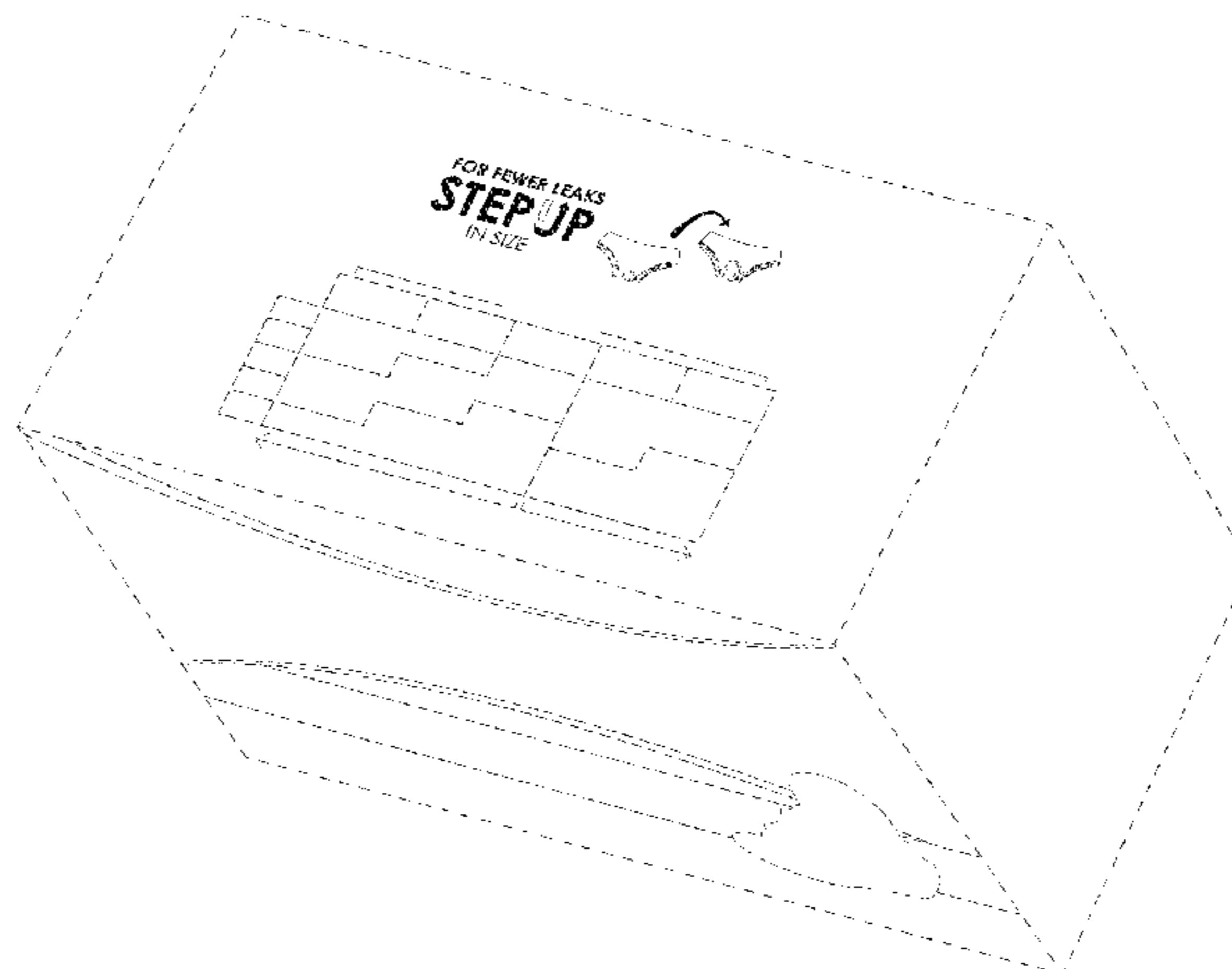
D255,328 S * 6/1980 Carroll D9/631
(Continued)

OTHER PUBLICATIONS

All Office Actions for U.S. Appl. No. 14/741,500 (Case 13491),
filed Jun. 17, 2015.

(Continued)

1 Claim, 8 Drawing Sheets



(58) **Field of Classification Search**

CPC 2203/00; B65D 2203/02; B65D 67/00;
B65D 5/75; B65D 71/16; B65D 71/20;
B65D 85/00; A63H 81/16

See application file for complete search history.

(56) **References Cited**

U.S. PATENT DOCUMENTS

5,839,585 A 11/1998 Miller
5,865,322 A 2/1999 Miller
5,947,302 A 9/1999 Miller
D450,578 S * 11/2001 Tomaselli B65D 81/2015
D9/631
6,454,095 B1 9/2002 Brisebois et al.
6,604,609 B2 8/2003 Bruce et al.
D558,059 S * 12/2007 Palacios D9/631
D639,673 S * 6/2011 Graham D9/434
8,636,146 B2 1/2014 Coulter et al.

D738,743 S * 9/2015 Galmarini D9/631
D743,787 S * 11/2015 Hood D9/434
D749,942 S * 2/2016 Clough D9/631
9,578,997 B2 * 2/2017 Welch B65D 81/2015
D792,207 S * 7/2017 Sanborn D9/434
2004/0122745 A1 6/2004 Hantke et al.
2006/0293634 A1 12/2006 Thomas et al.
2008/0110782 A1 5/2008 Burgdorf et al.
2011/0034897 A1 2/2011 Nomoto et al.
2014/0034538 A1 * 2/2014 Biggs B65D 85/00
206/459.1
2015/0232220 A1 8/2015 Keith et al.
2016/0038353 A1 2/2016 Bonilla et al.

OTHER PUBLICATIONS

U.S. Appl. No. 29/613,425, filed Aug. 10, 2017, Tracy Huggins.
U.S. Appl. No. 29/613,430, filed Aug. 10, 2017, Tracy Huggins.
U.S. Appl. No. 29/613,432, filed Aug. 10, 2017, Tracy Huggins.

* cited by examiner

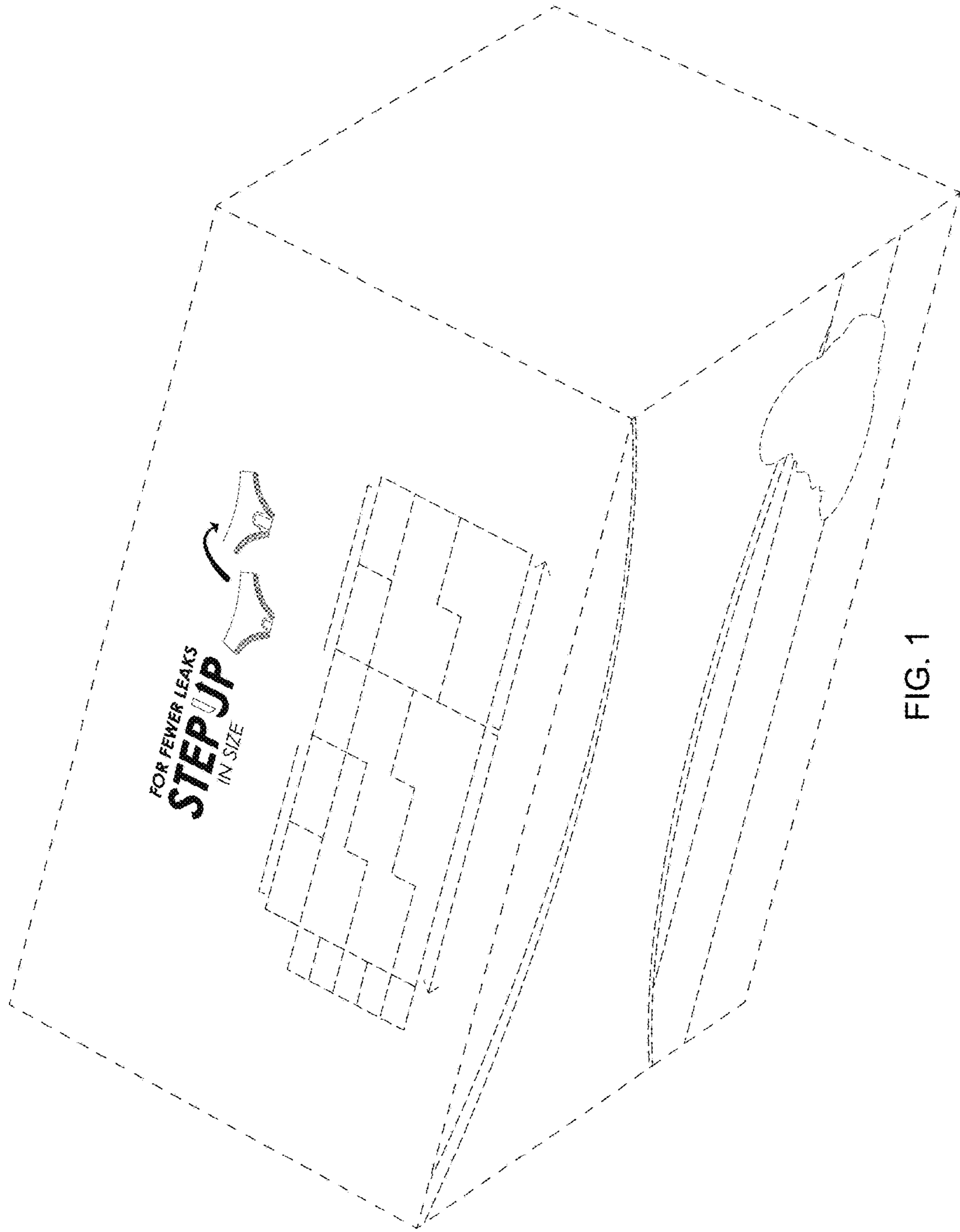


FIG. 1

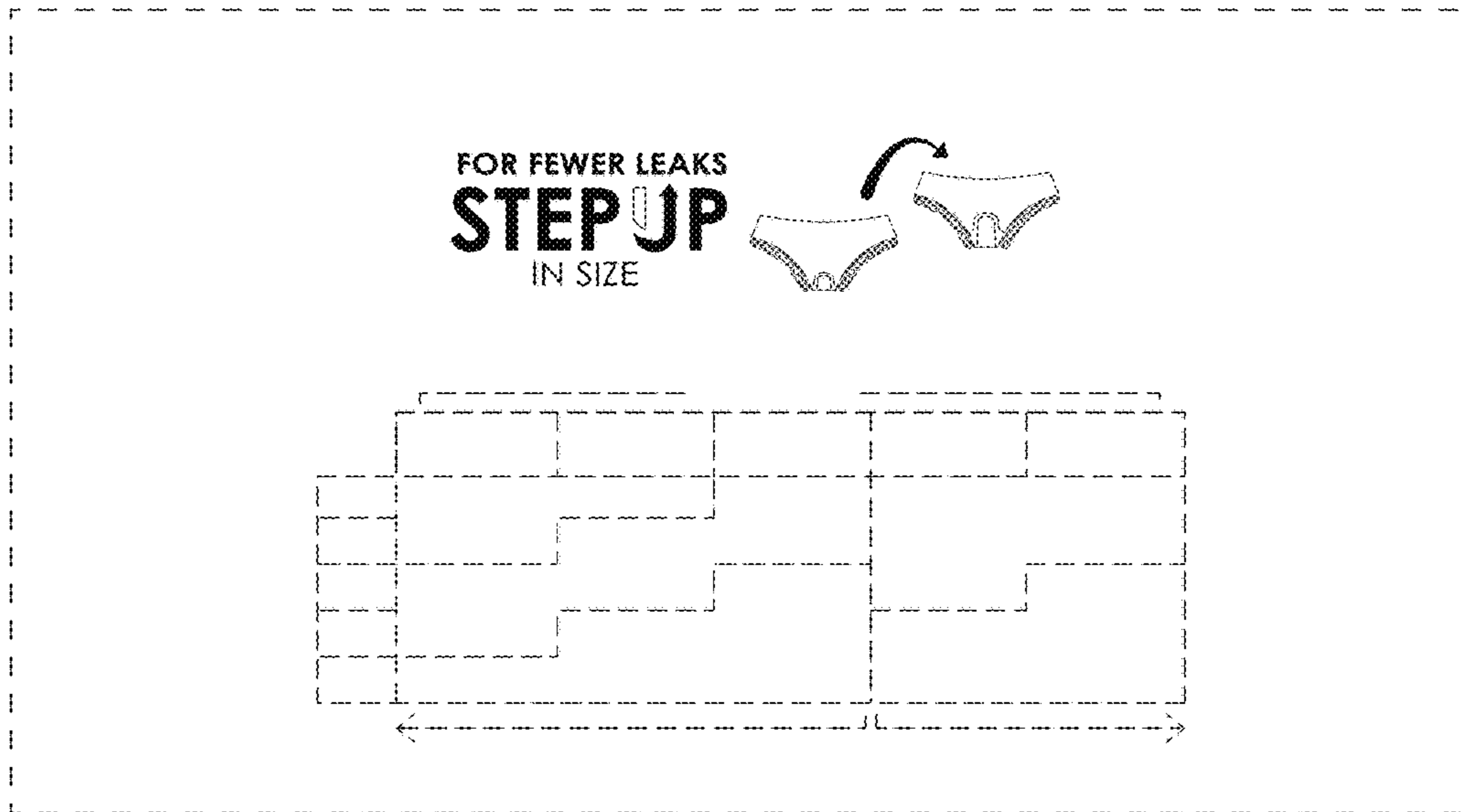


FIG. 2

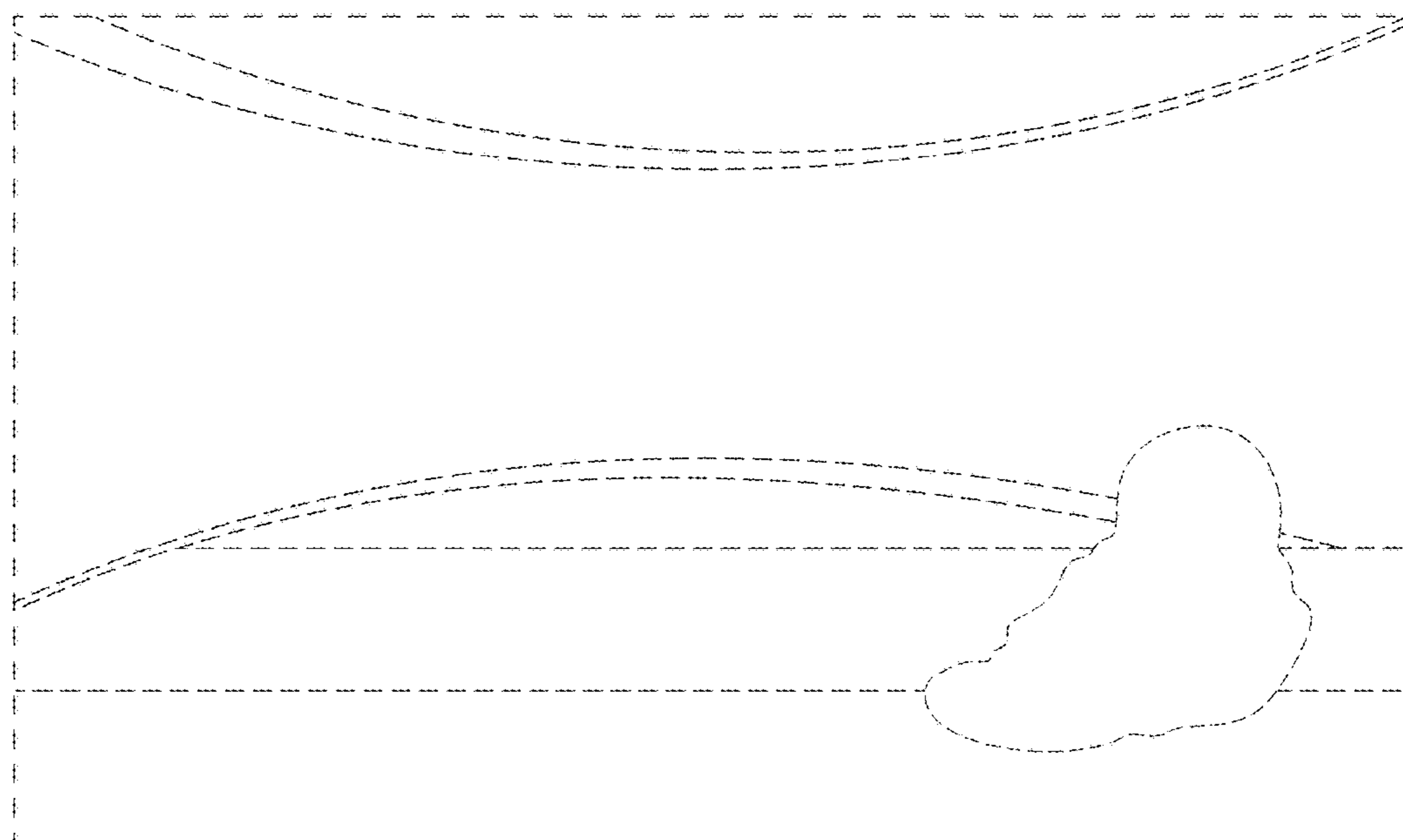


FIG. 3



FIG. 4

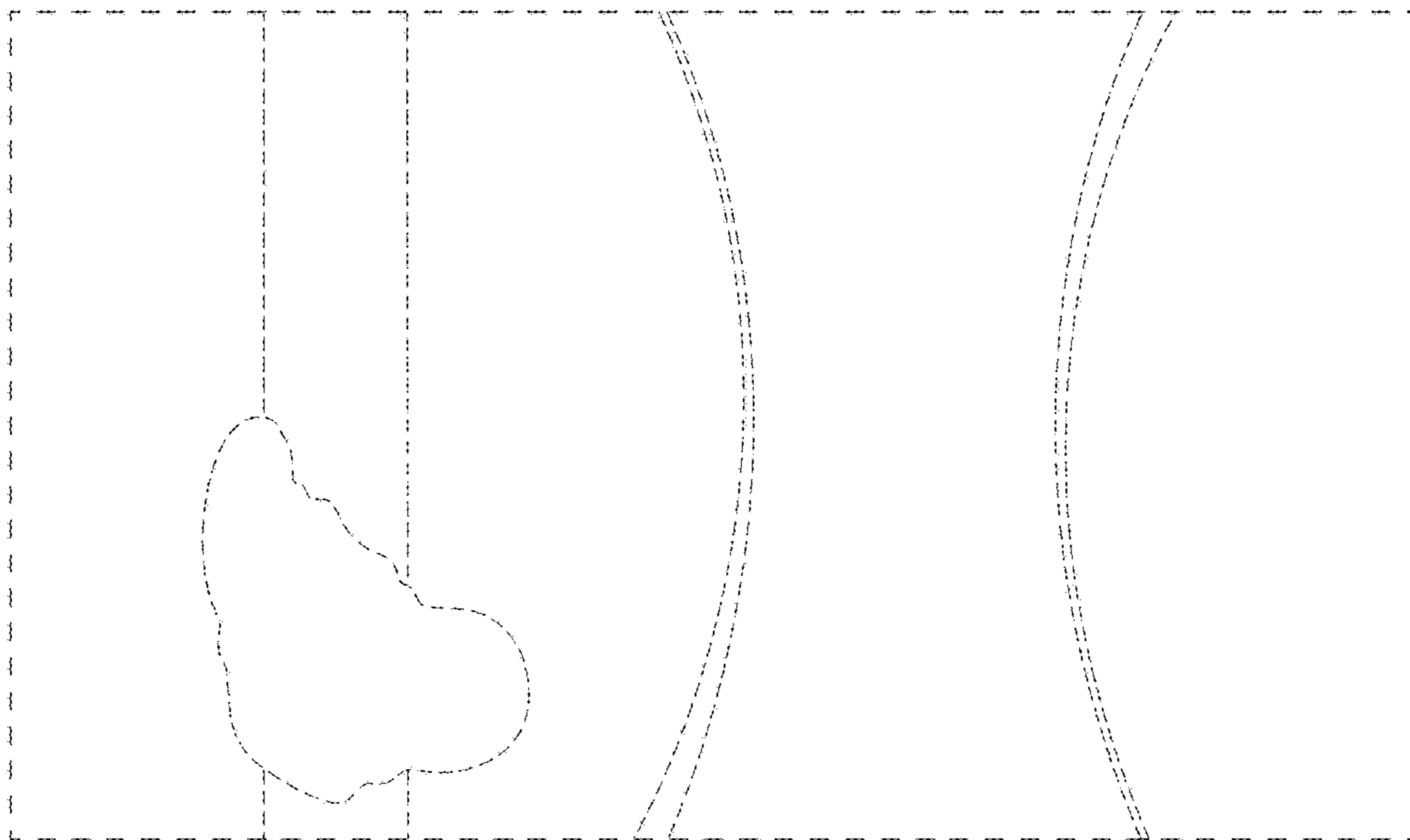


FIG. 5



FIG. 6

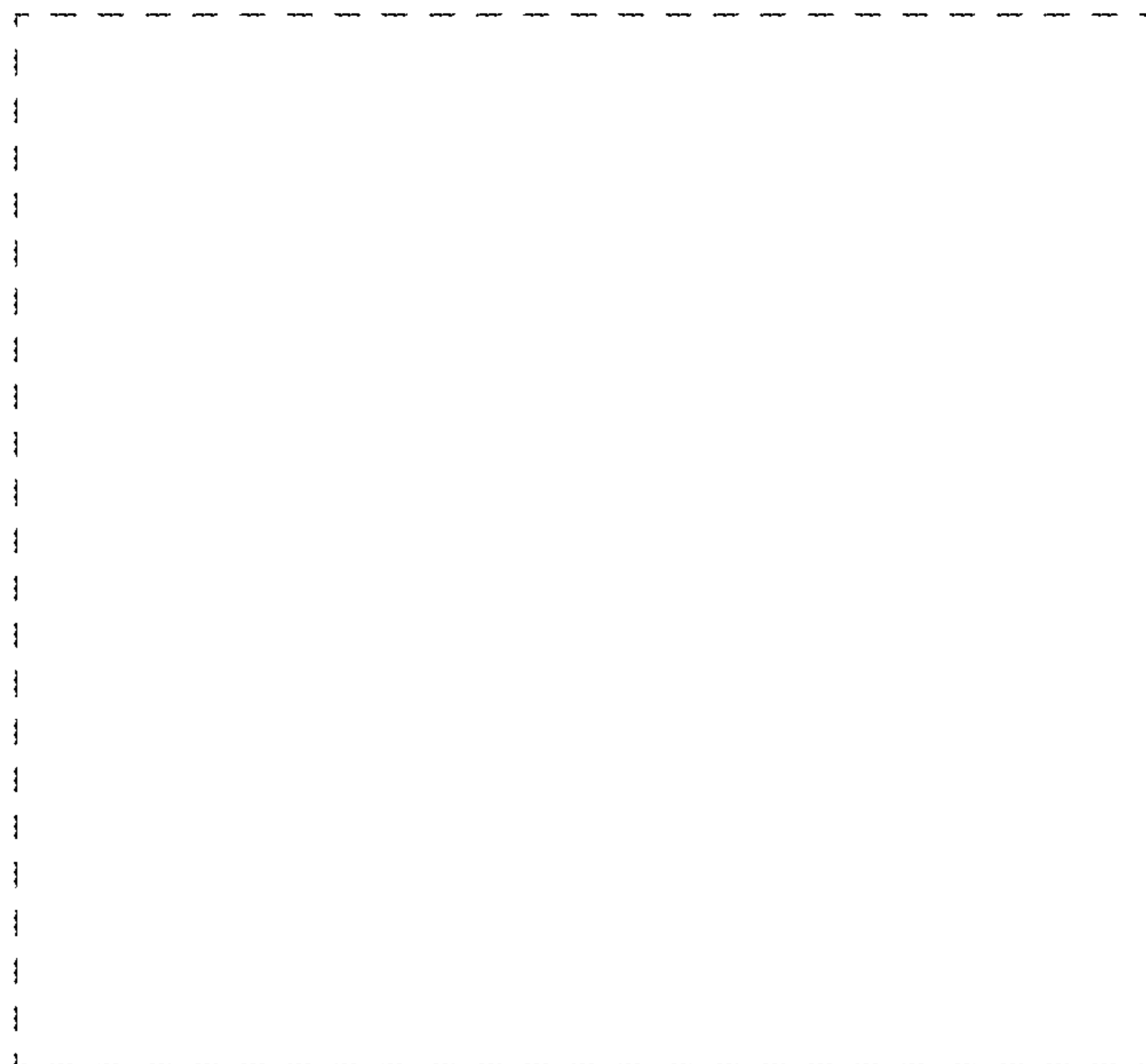


FIG. 7

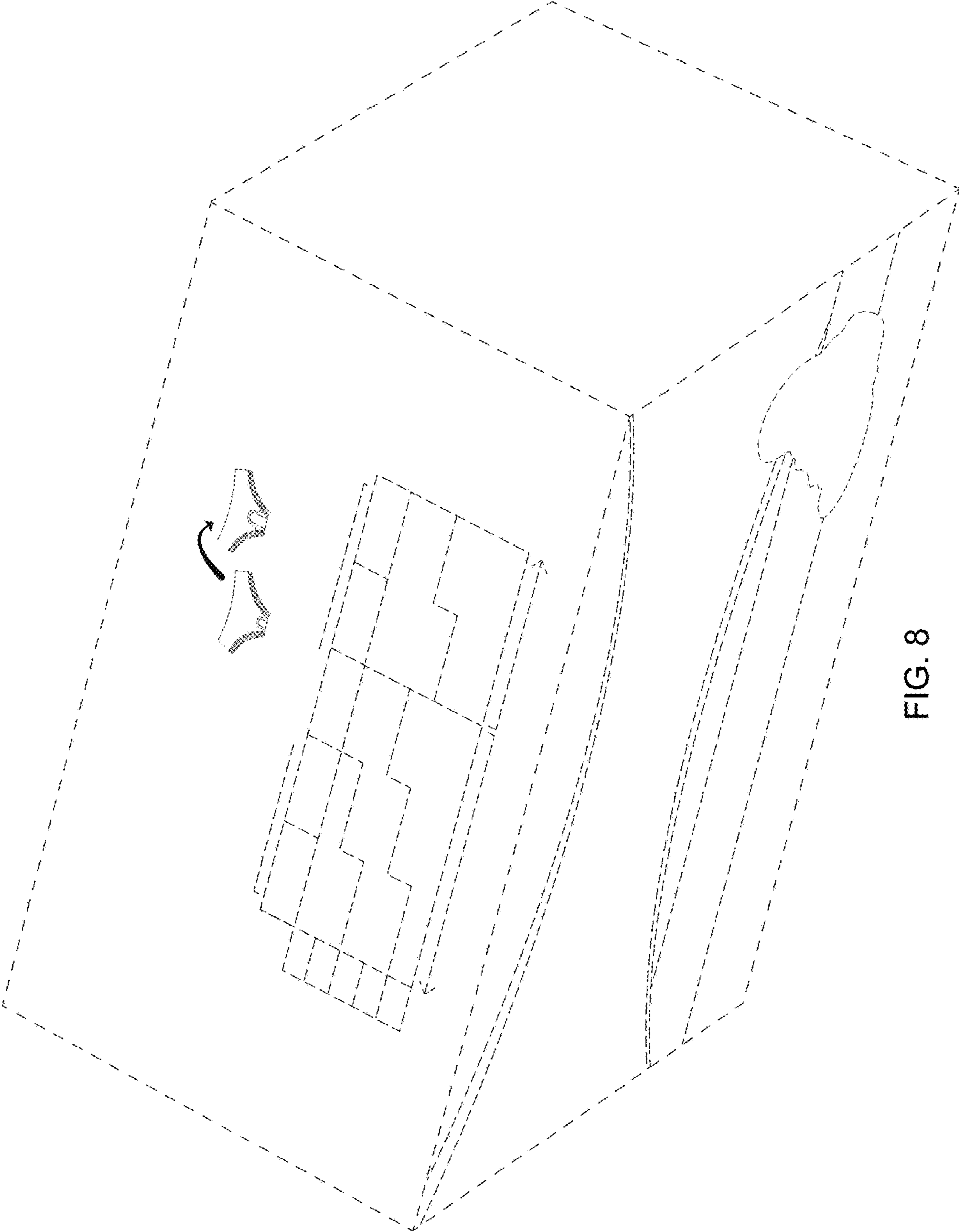


FIG. 8

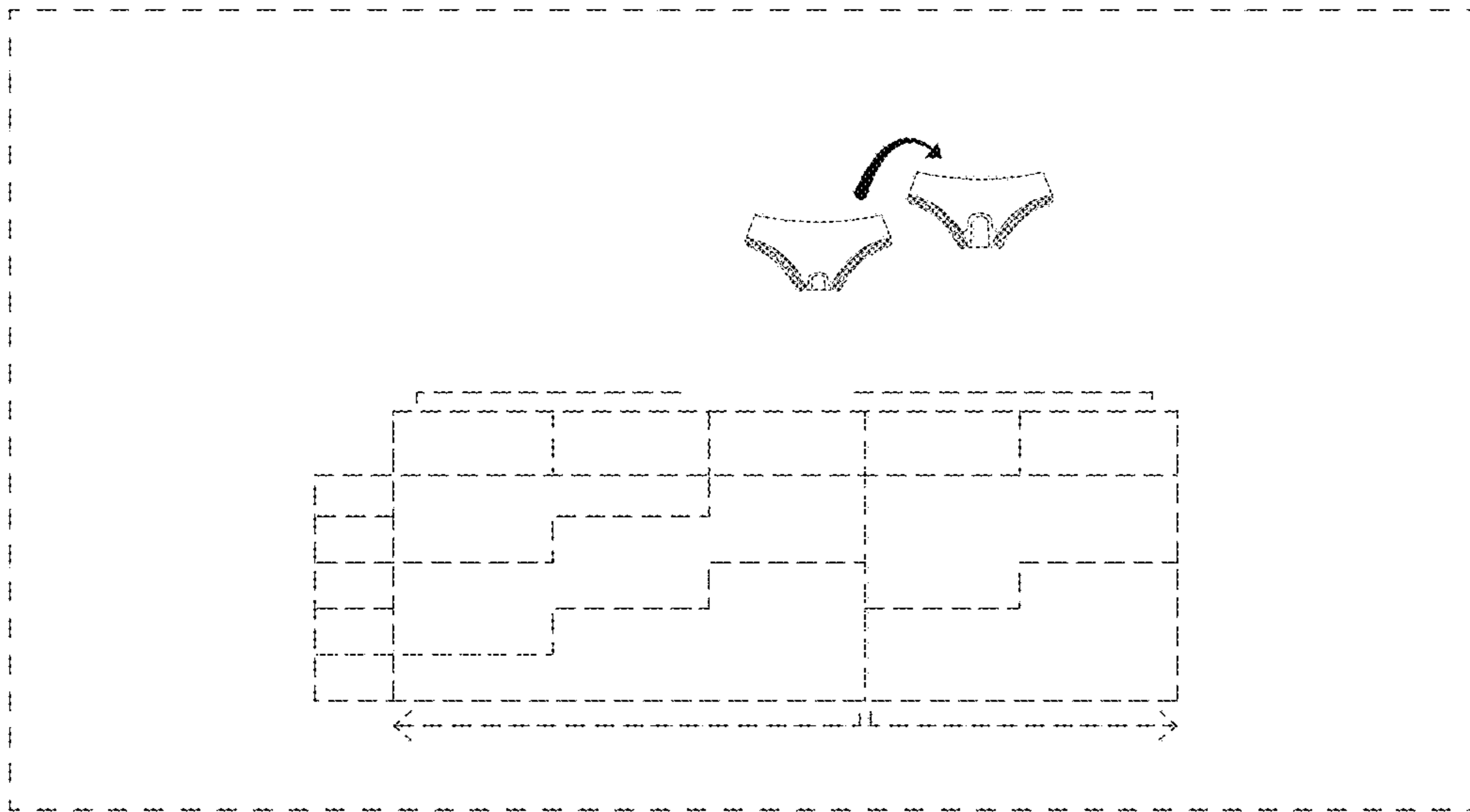


FIG. 9

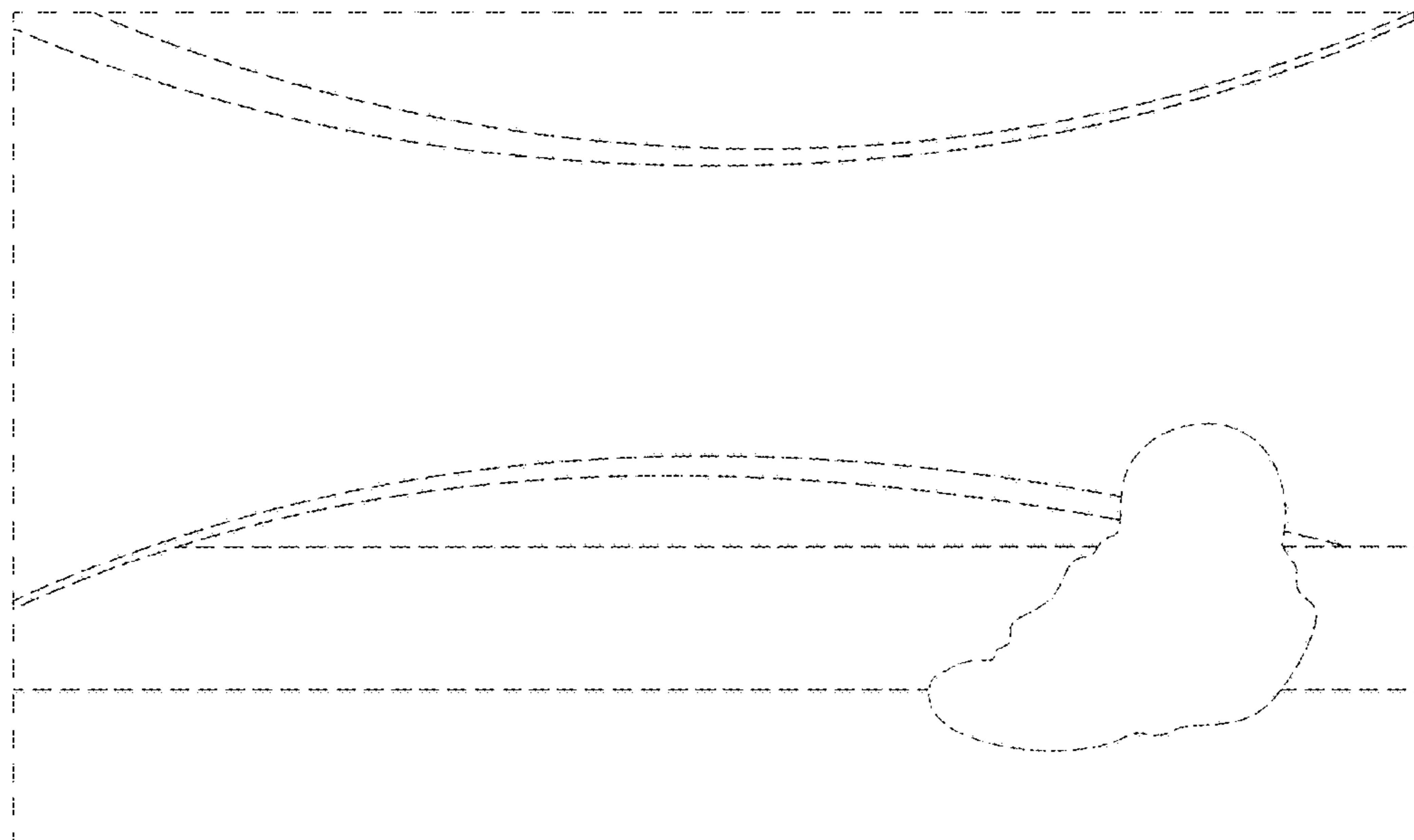


FIG. 10



FIG. 11

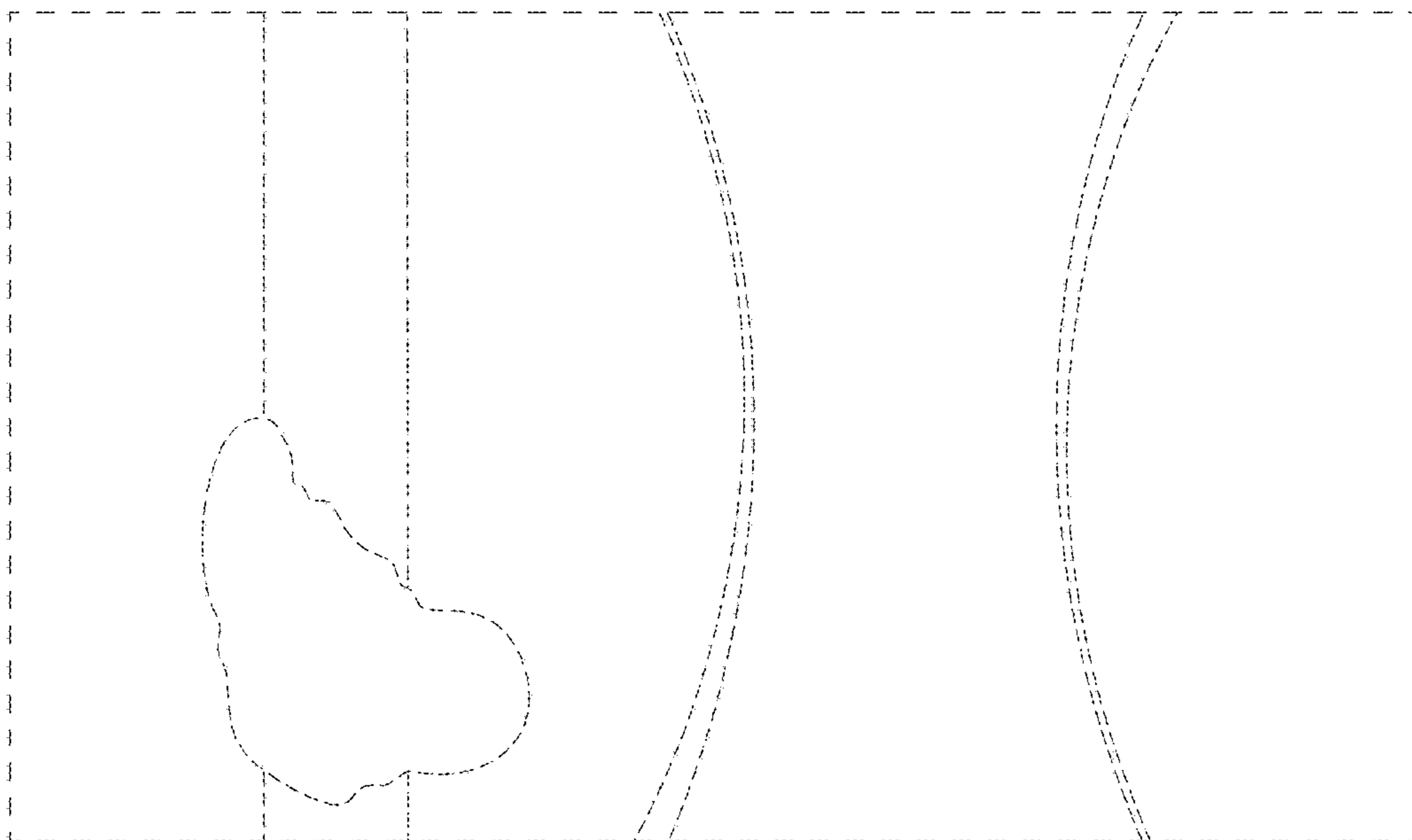


FIG. 12



FIG. 13



FIG. 14