



US00D835995S

(12) **United States Design Patent**
Shoemaker et al.

(10) **Patent No.:** **US D835,995 S**

(45) **Date of Patent:** **** Dec. 18, 2018**

(54) **BOTTLE**

(71) Applicant: **THE CLOROX COMPANY**, Oakland, CA (US)

(72) Inventors: **James A. Shoemaker**, Pleasanton, CA (US); **Scot Herbst**, Santa Cruz, CA (US); **Benjamin Ma**, Pleasanton, CA (US)

(73) Assignee: **The Clorox Company**, Oakland, CA (US)

(**) Term: **15 Years**

(21) Appl. No.: **29/613,314**

(22) Filed: **Aug. 9, 2017**

(51) **LOC (11) Cl.** **09-01**

(52) **U.S. Cl.**
USPC **D9/559; D9/564; D9/566**

(58) **Field of Classification Search**
USPC D7/300–322, 391–396.2, 509–511, 523, D7/589, 598, 612, 615, 619.1; D9/435, D9/436, 439, 440, 443, 447, 454, 500, D9/503–505, 516–575, 763–783; 215/40–55, 316–354, 370–385; 220/574–575

CPC B65D 1/00; B65D 1/02; B65D 1/0223; B65D 1/023; B65D 1/0276

See application file for complete search history.

(56) **References Cited**

U.S. PATENT DOCUMENTS

D43,507 S *	2/1913	Nelson	D9/544
D80,708 S *	3/1930	Teague	D9/544
D86,017 S *	1/1932	Fuerst	D9/526
D175,447 S *	8/1955	Tucker	D7/300
D191,544 S *	10/1961	Bloch	D9/543

(Continued)

OTHER PUBLICATIONS

Internet Reference: Feb. 2016, MINTEL ‘Glamorous White Multi-Care Whitening Rinse’ for Crest 3D White Luxe; Record ID 3785311, Procter & Gamble; <http://www.gnpd.com>.

Primary Examiner — Cathron C Brooks

Assistant Examiner — Christian P. McLean

(74) *Attorney, Agent, or Firm* — Alok Goel

(57) **CLAIM**

The ornamental design for a bottle, as shown and described.

DESCRIPTION

FIG. 1 is a top perspective view of a bottle according to an embodiment of the present invention.

FIG. 2 is a bottom perspective view of the bottle shown in FIG. 1.

FIG. 3 is a front view of the bottle shown in FIG. 1.

FIG. 4 is a rear view of the bottle shown in FIG. 1.

FIG. 5 is a first side view of the bottle shown in FIG. 1.

FIG. 6 is an opposite, second side view of the bottle shown in FIG. 1.

FIG. 7 is a top plan view of the bottle shown in FIG. 1.

FIG. 8 is a bottom plan view of the bottle shown in FIG. 1.

FIG. 9 is a top perspective view of another bottle according to an embodiment of the present invention.

FIG. 10 is a bottom perspective view of the bottle shown in FIG. 9.

FIG. 11 is a front view of the bottle shown in FIG. 9.

FIG. 12 is a rear view of the bottle shown in FIG. 9.

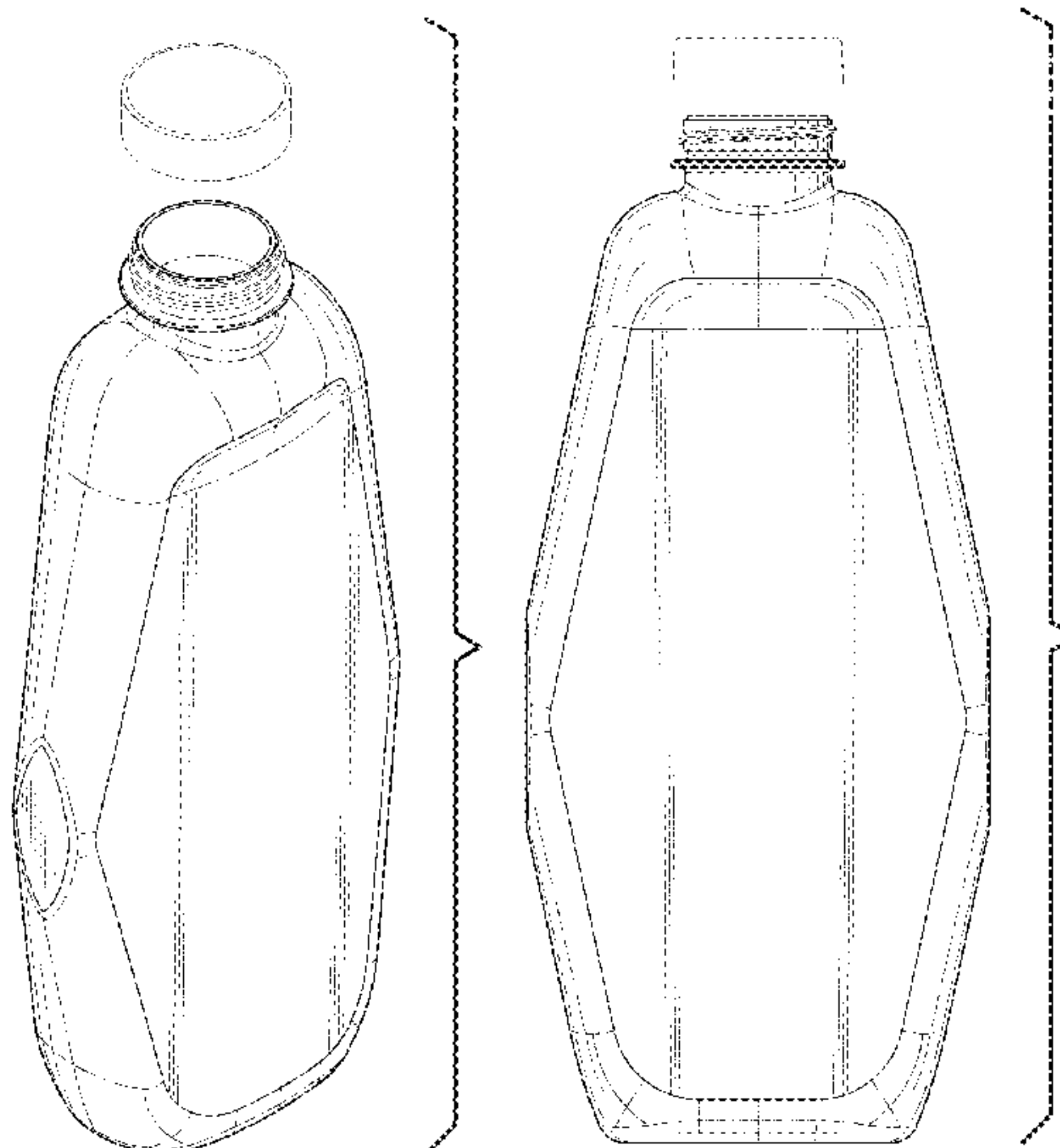
FIG. 13 is a first side view of the bottle shown in FIG. 9.

FIG. 14 is an opposite, second side view of the bottle shown in FIG. 9.

FIG. 15 is a top plan view of the bottle shown in FIG. 9; and, FIG. 16 is a bottom plan view of the bottle shown in FIG. 9.

The broken lines illustrate portions of the bottle and environment, and form no part of the claimed design.

1 Claim, 12 Drawing Sheets



(56)

References Cited

U.S. PATENT DOCUMENTS

D196,077	S	*	8/1963	Heintze	D7/300
D204,710	S	*	5/1966	Roberts	D9/542
D284,938	S	*	8/1986	Jedwab	D9/544
D300,904	S	*	5/1989	Pardo	D9/526
D322,565	S	*	12/1991	Durand	D9/573
D530,620	S	*	10/2006	Owens	D9/566
D531,044	S	*	10/2006	Owens	D9/566
D531,045	S	*	10/2006	Owens	D9/566
D531,515	S	*	11/2006	Owens	D9/566
D533,072	S	*	12/2006	Kelly	D9/566
D544,361	S	*	6/2007	Cordes	D9/544
D545,212	S	*	6/2007	Kelly	D9/566
D595,583	S	*	7/2009	Lovelace, Jr. B65D 25/2885	D9/528
D644,113	S	*	8/2011	Williams	D9/550
D646,981	S	*	10/2011	Flanagan-Kent	D9/521
D650,688	S	*	12/2011	Simmons	D9/542
D694,640	S	*	12/2013	Infahsaeng	D9/559
D715,152	S	*	10/2014	Maskell	D9/566
D726,967	S	*	4/2015	Komai	D28/87
D734,160	S	*	7/2015	Aranda	D9/555
D747,972	S	*	1/2016	Allan	D9/682
D774,833	S	*	12/2016	Likar	D7/558
D781,713	S	*	3/2017	Papernik	D9/651
D790,975	S	*	7/2017	Allan	D9/542
D809,925	S	*	2/2018	Cossu	D9/544
D826,724	S	*	8/2018	Staab	D9/574

* cited by examiner

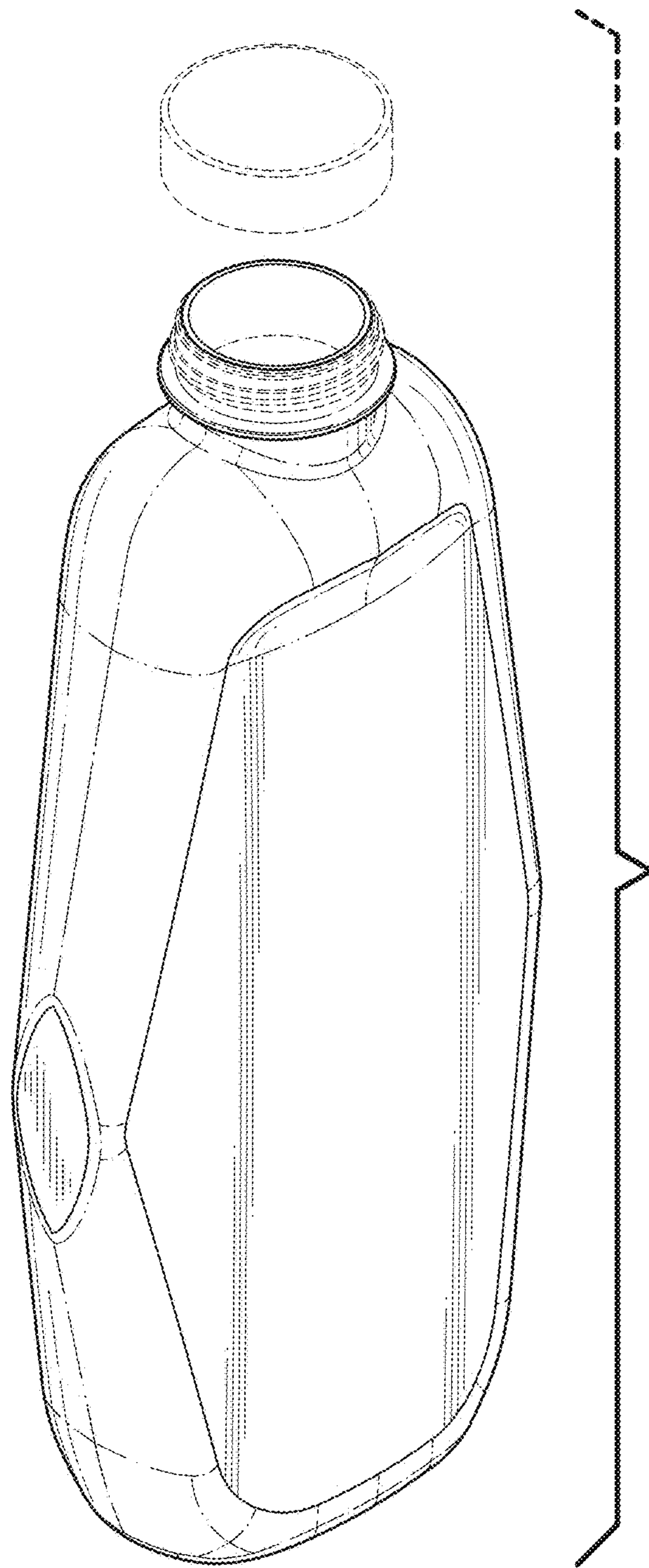


FIG 1

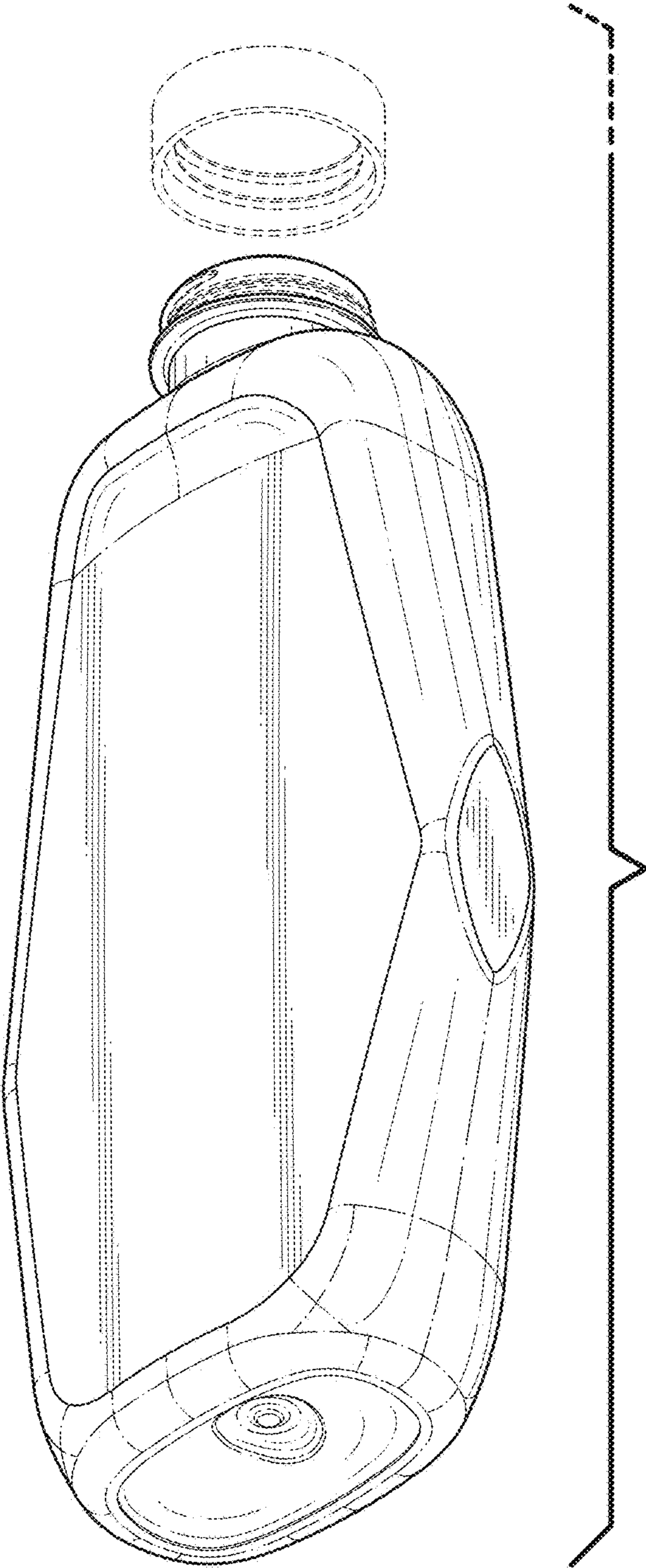


FIG 2

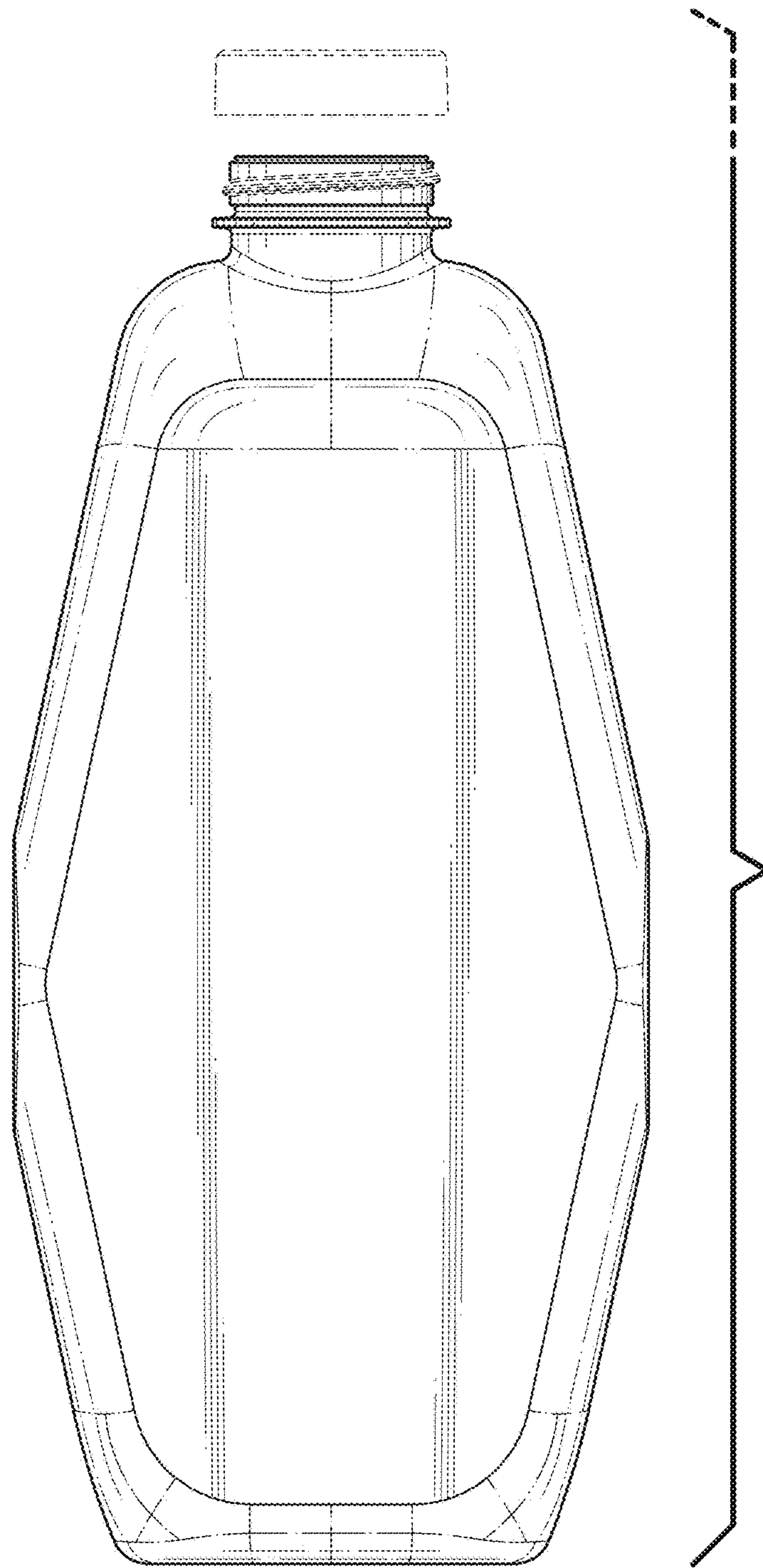


FIG 3

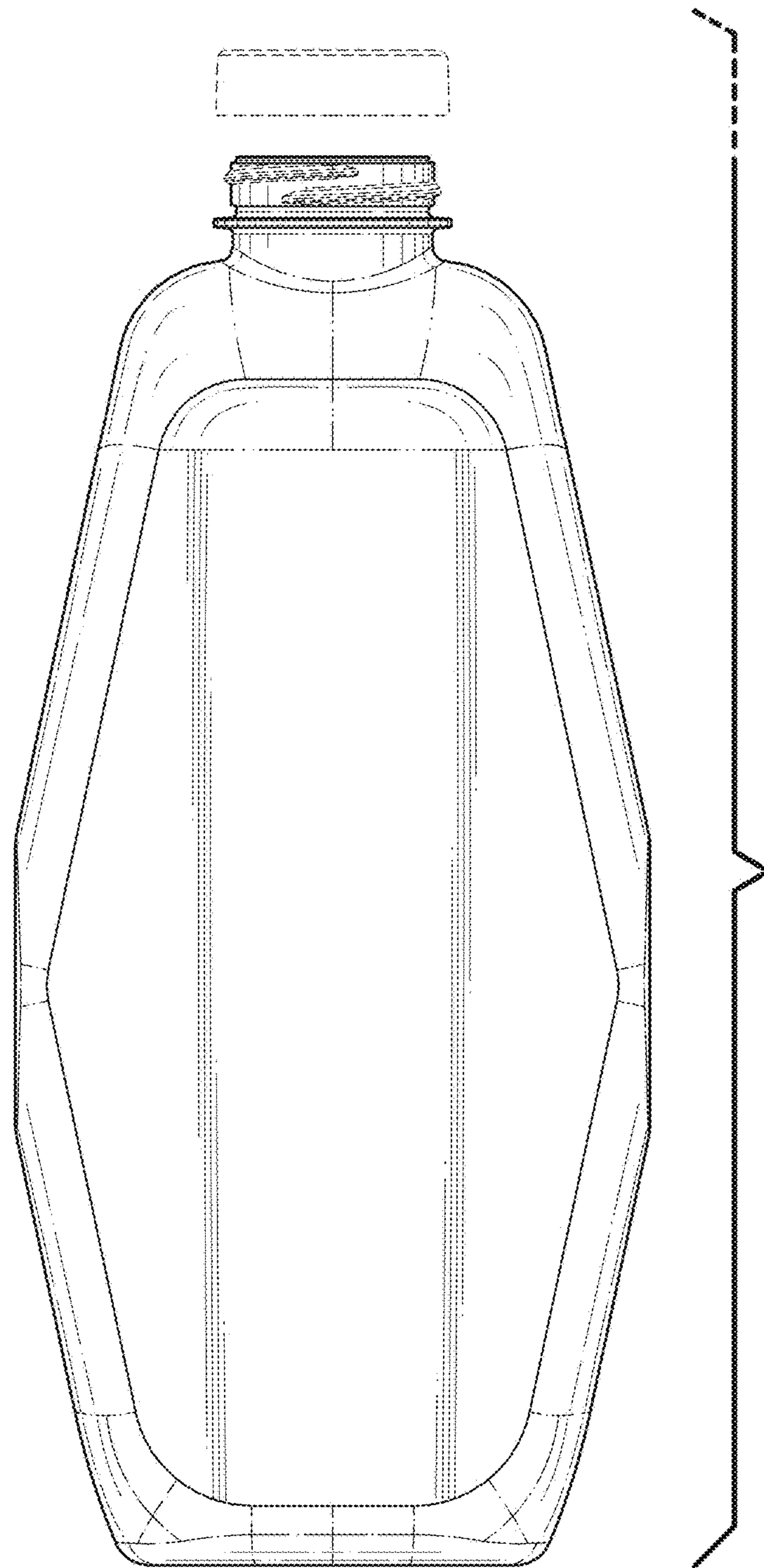


FIG 4

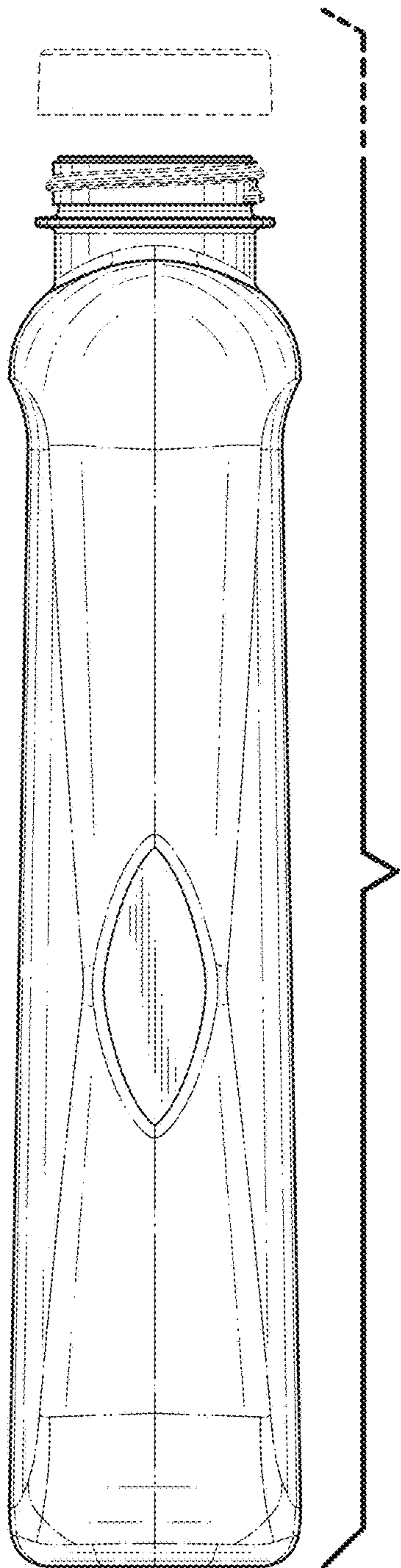


FIG 5

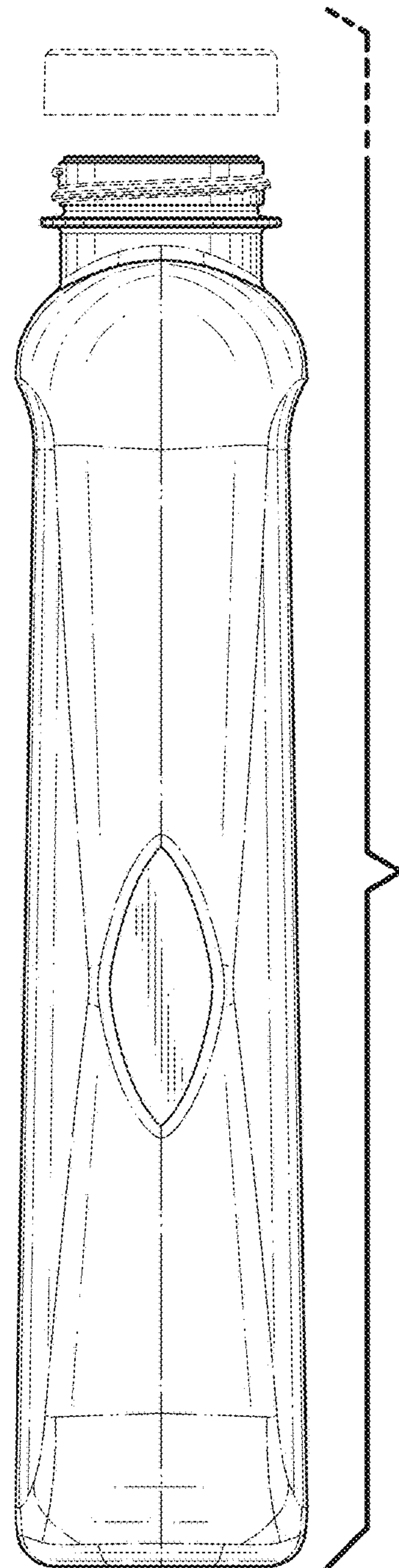


FIG 6

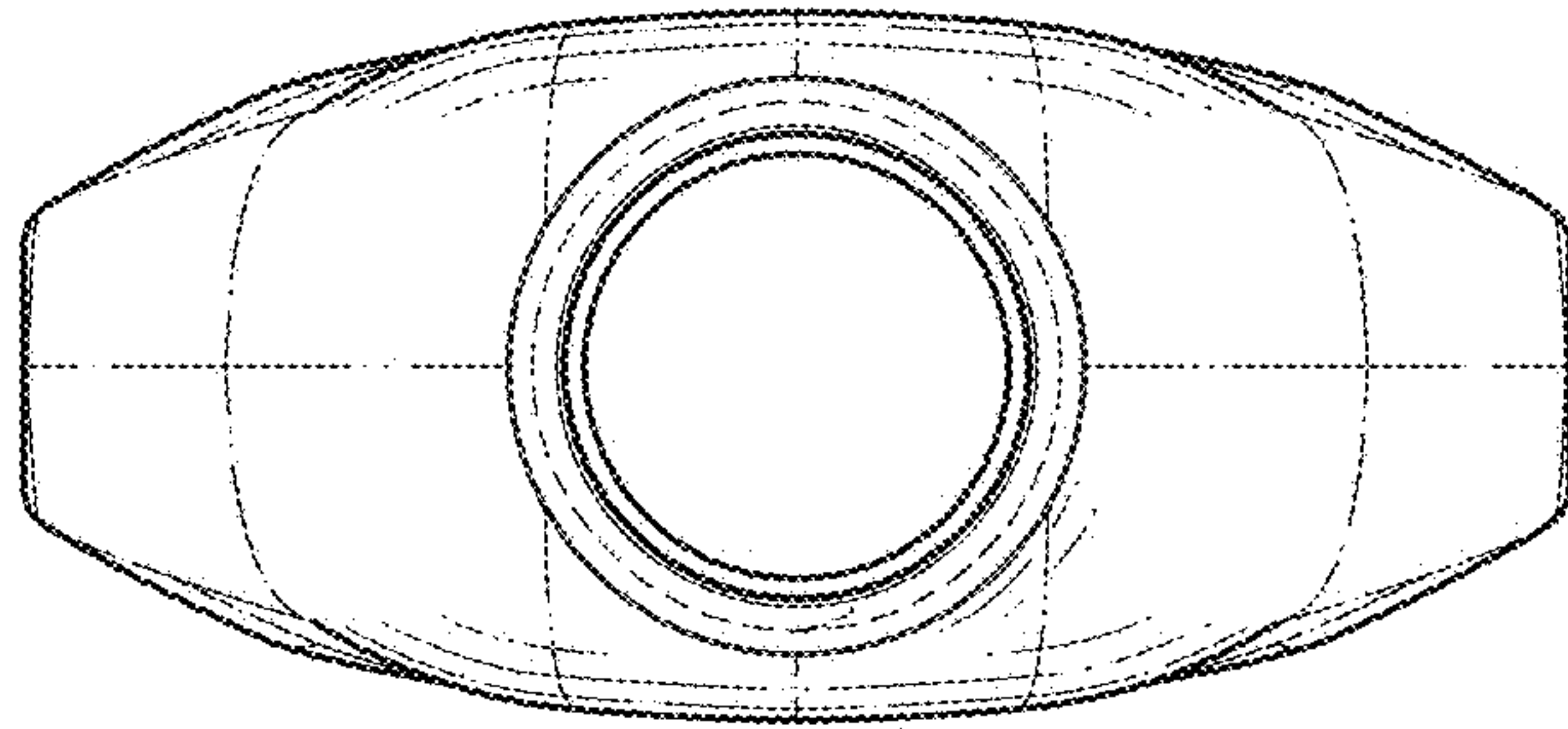


FIG 7

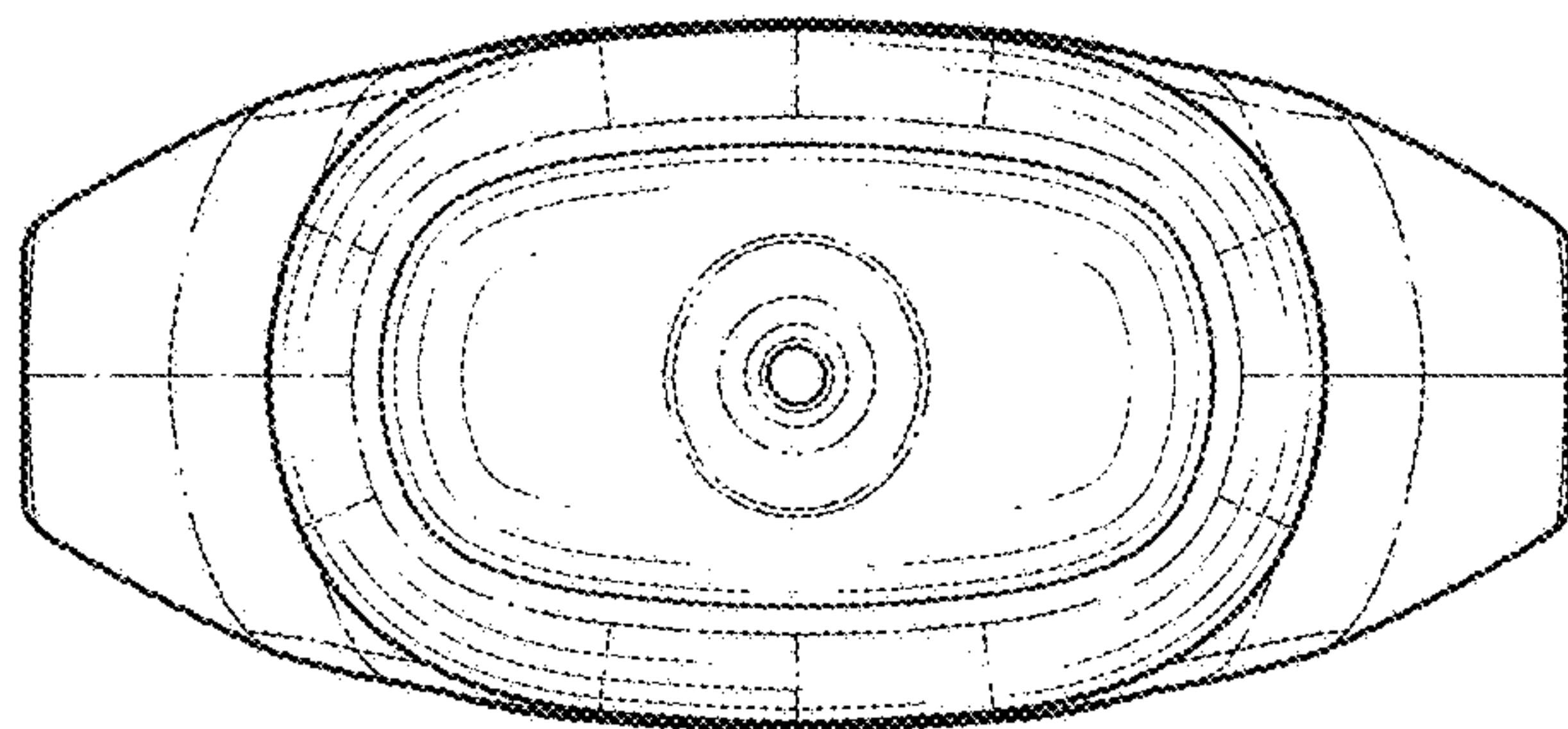


FIG 8

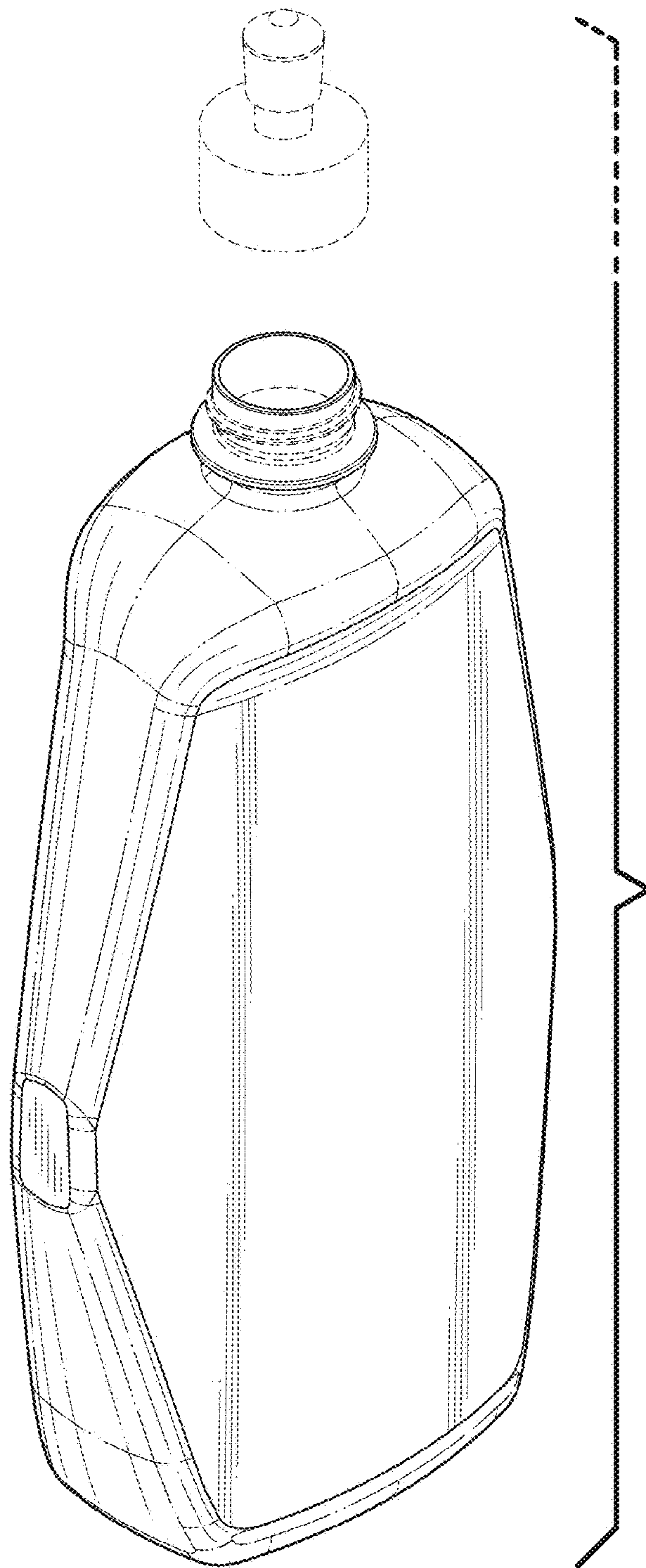


FIG 9

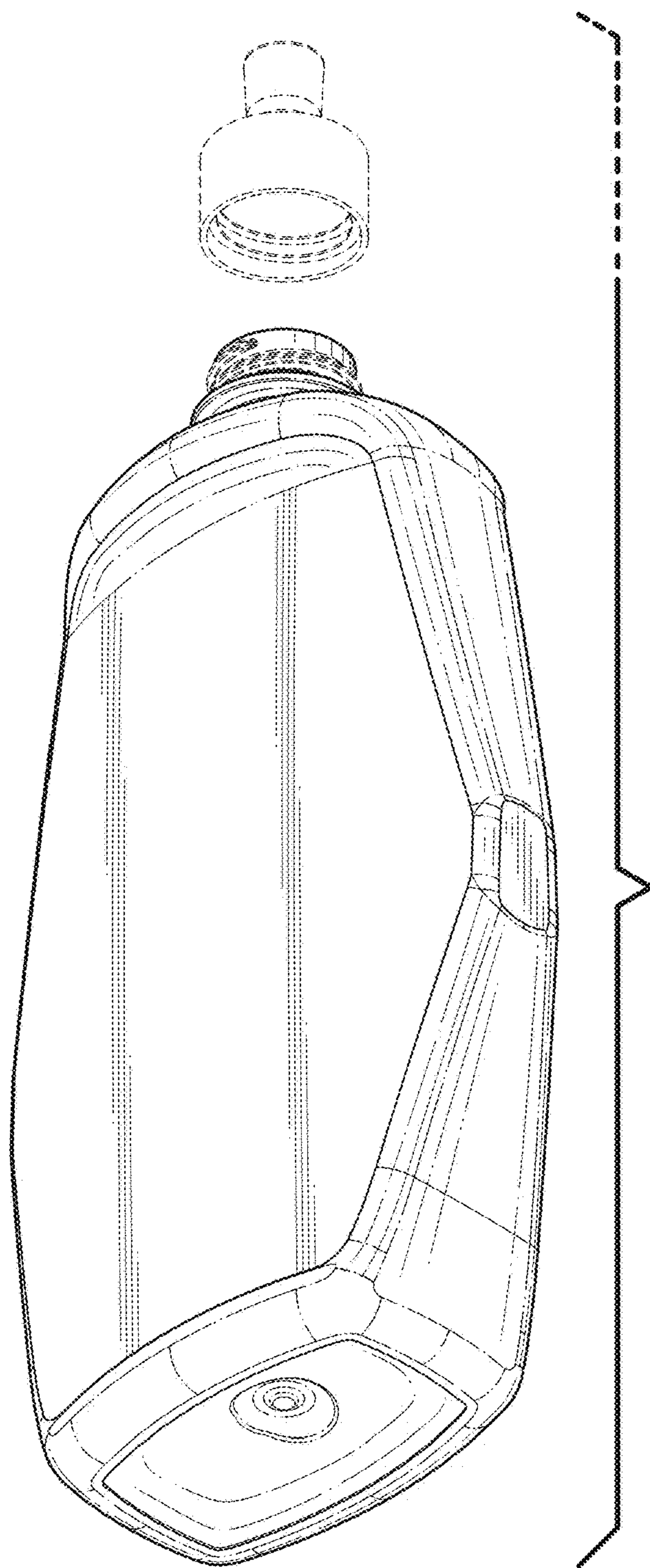


FIG 10

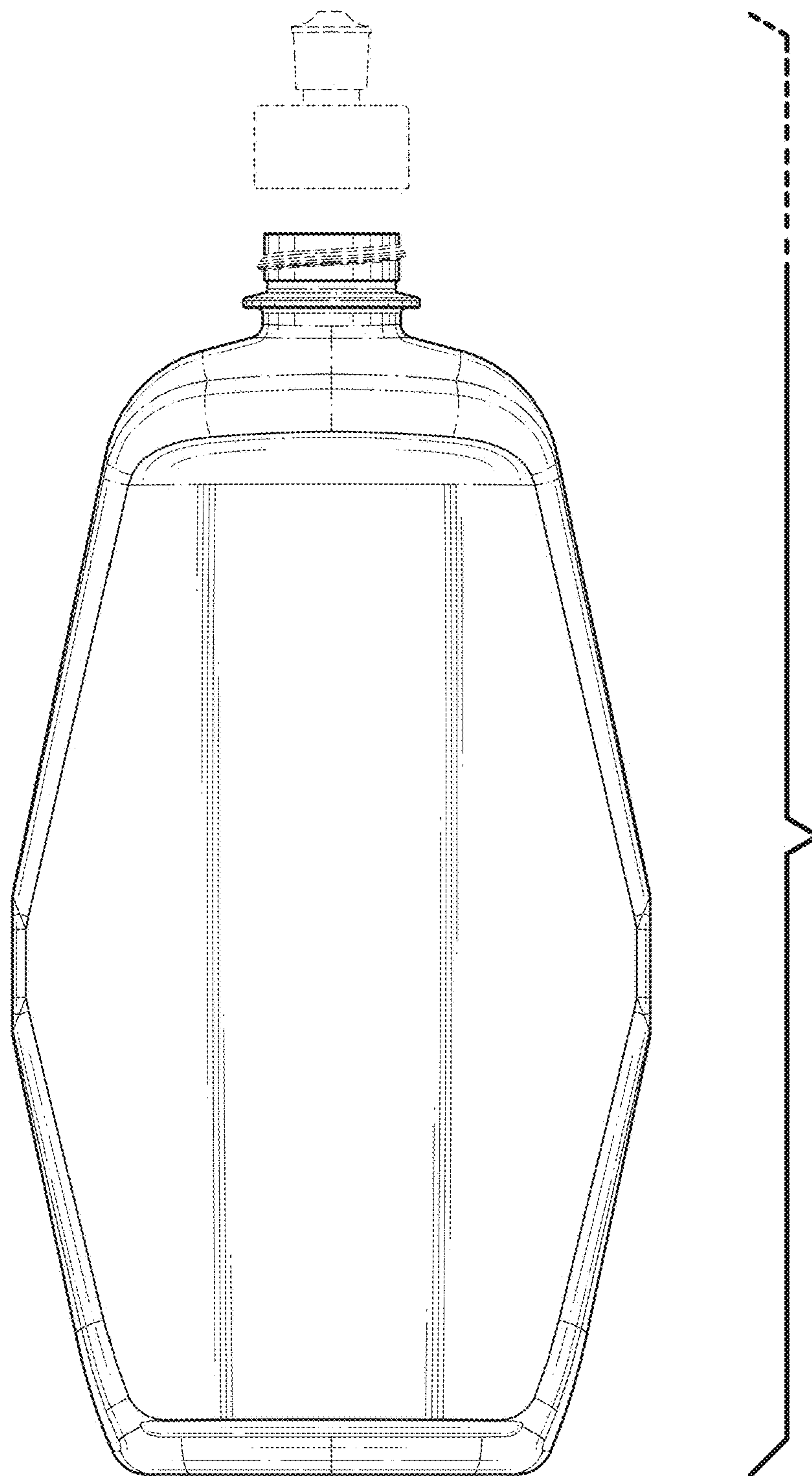


FIG 11

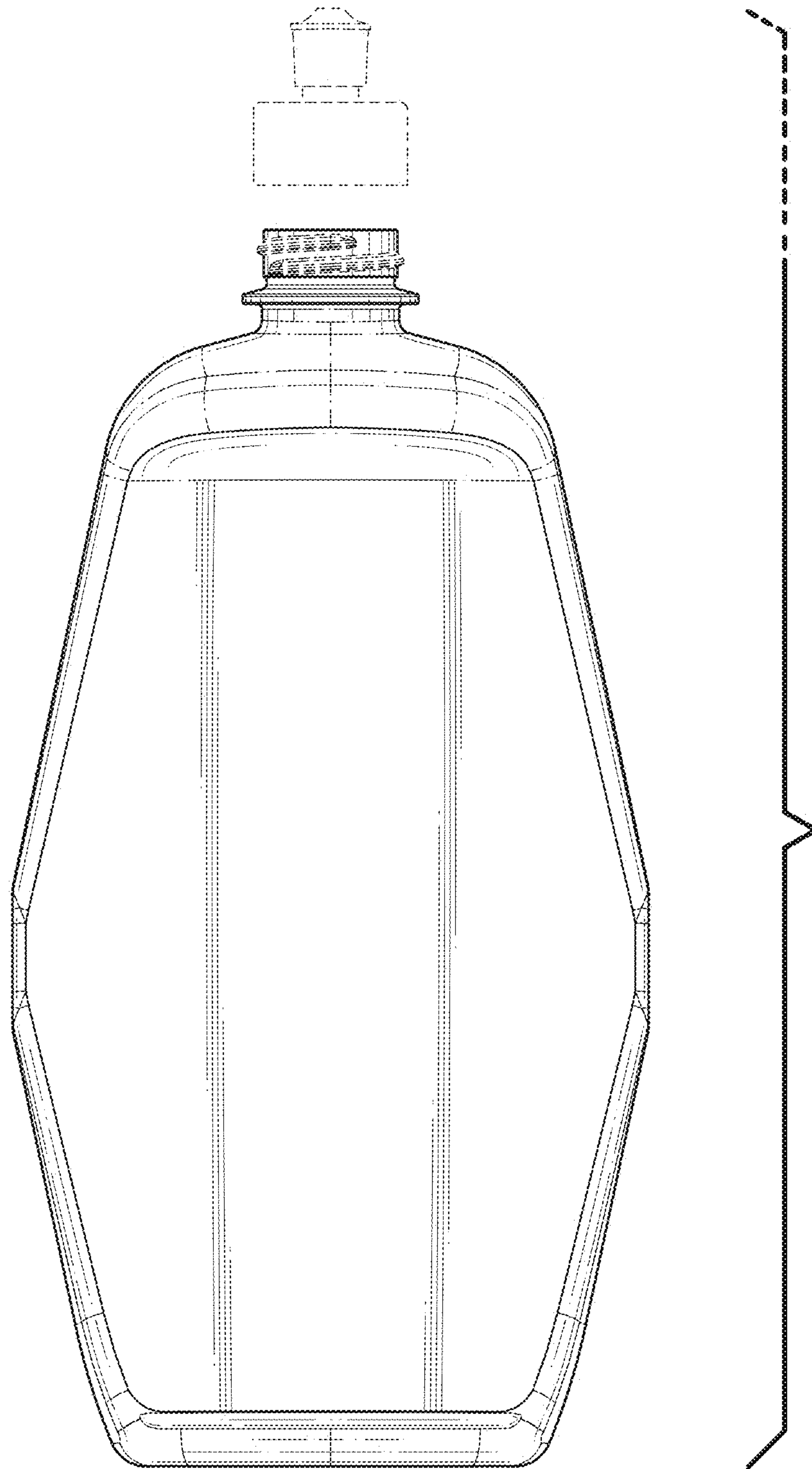


FIG 12

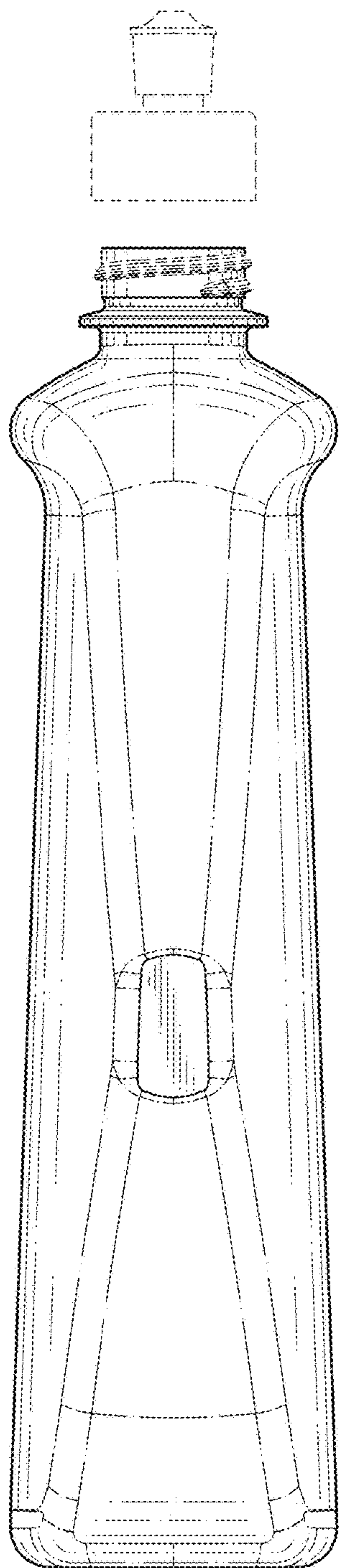


FIG 13

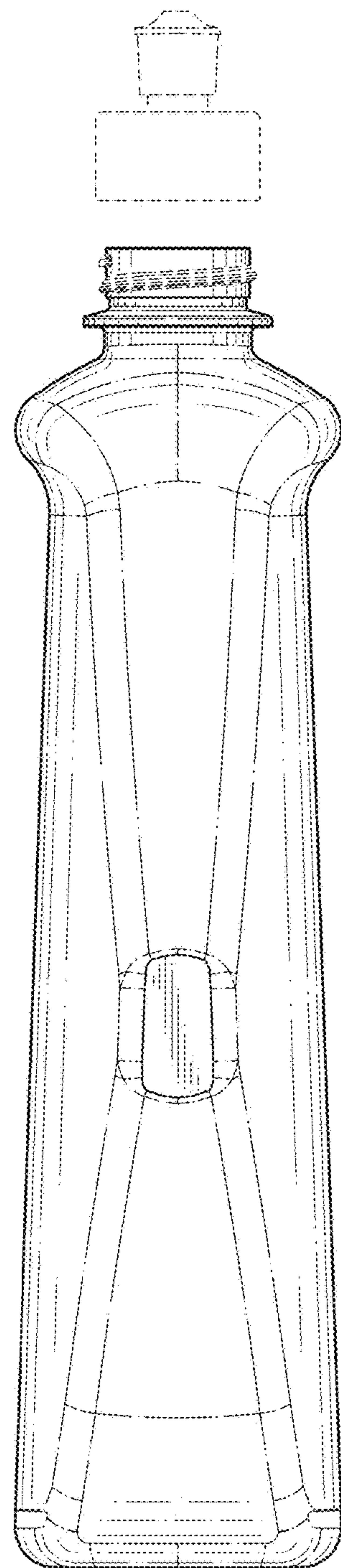


FIG 14

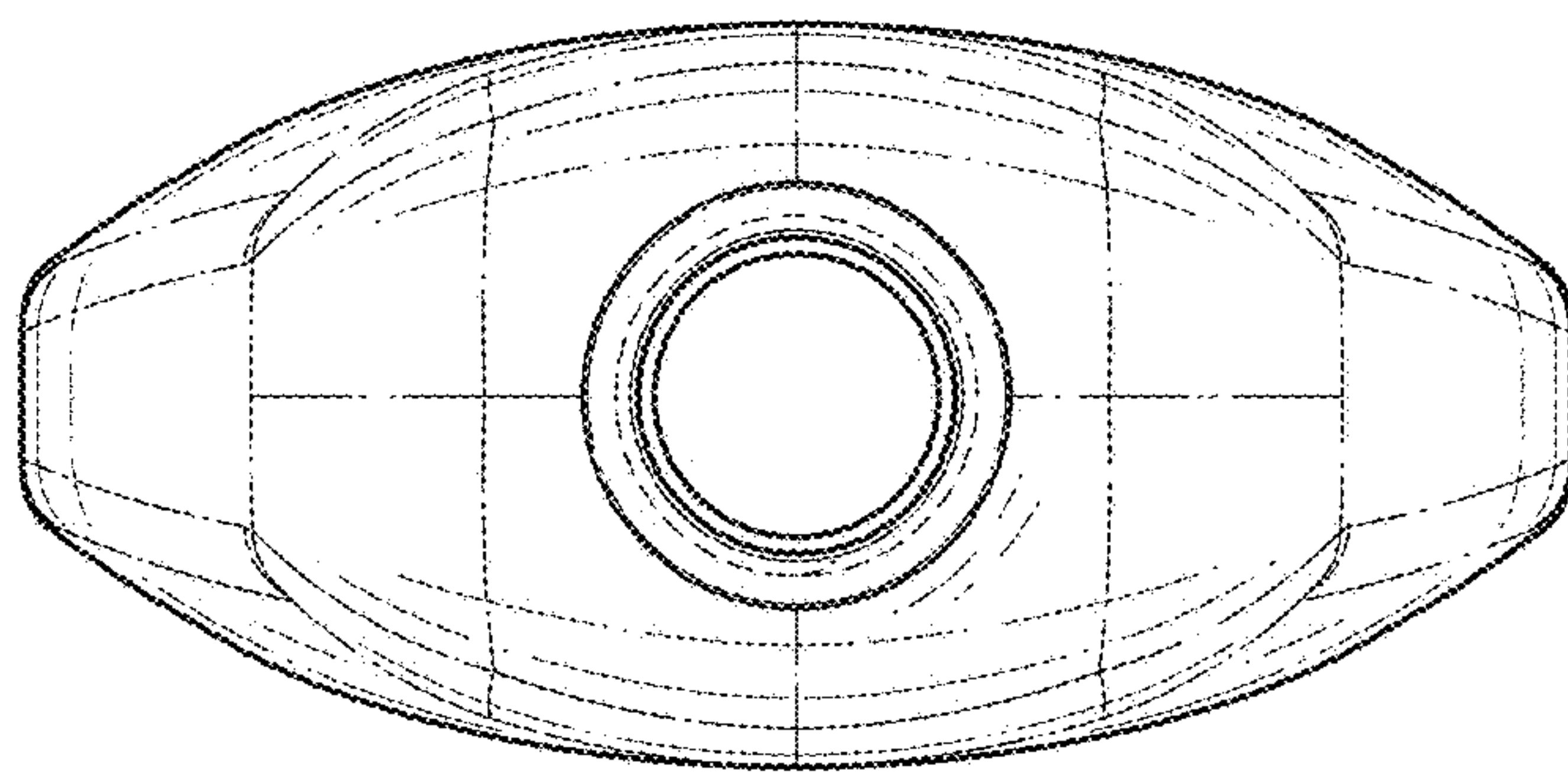


FIG 15

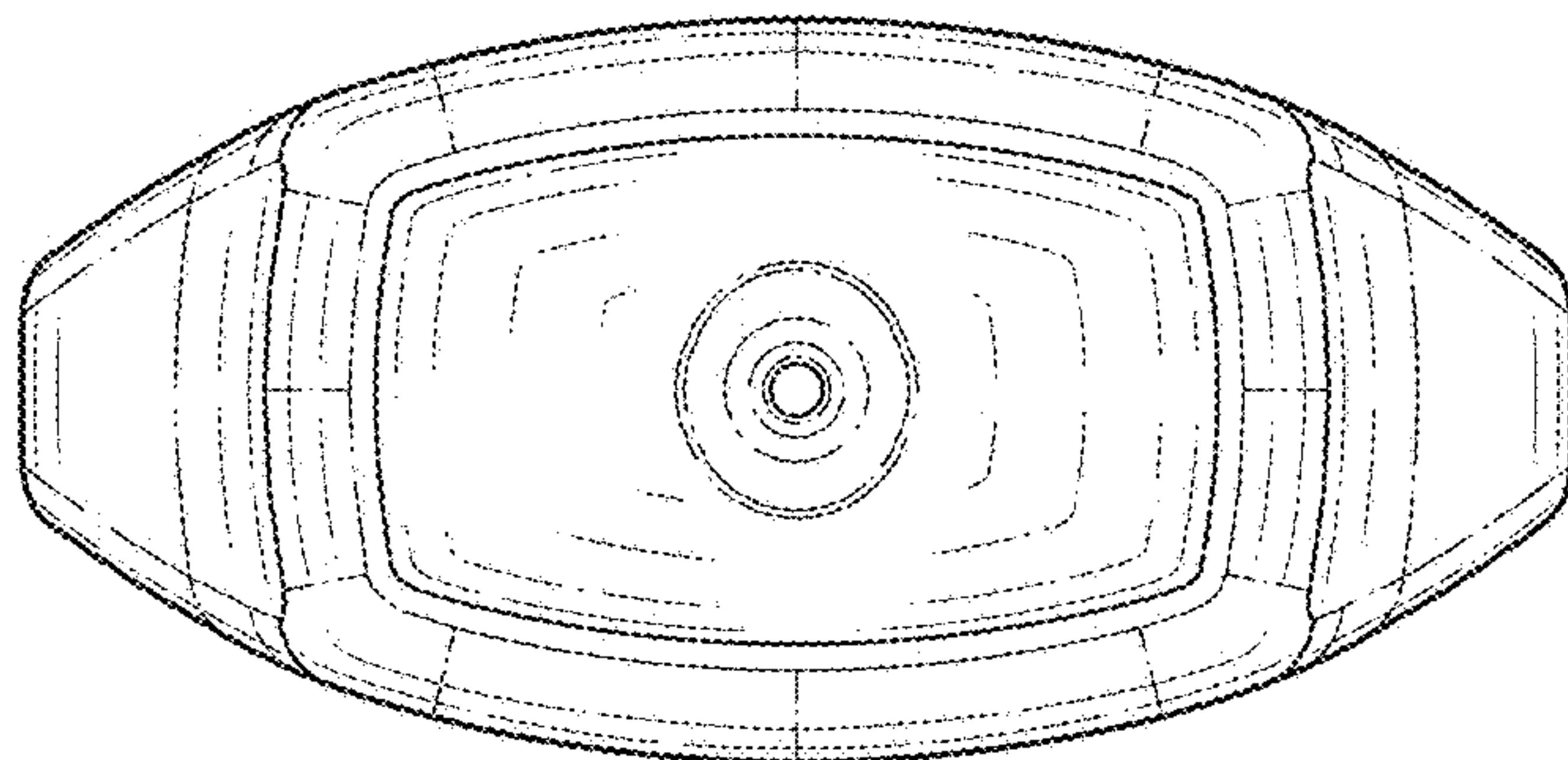


FIG 16