



US00D835993S

(12) **United States Design Patent** (10) **Patent No.:** **US D835,993 S**  
**Briggs et al.** (45) **Date of Patent:** **\*\* Dec. 18, 2018**

(54) **CONTAINER WITH LID**  
(71) Applicant: **The Procter & Gamble Company,**  
Cincinnati, OH (US)

5,603,421 A 2/1997 Opresco  
5,671,853 A 9/1997 Herr  
5,865,330 A 2/1999 Buono  
5,915,576 A 6/1999 Robinson  
(Continued)

(72) Inventors: **Nicole Lynn Briggs,** West Chester, OH (US); **Richard Michael Girardot,** West Chester, OH (US); **Christopher Robert Kopulos,** Cincinnati, OH (US); **Brian Joseph Sullivan,** Milford, OH (US)

**FOREIGN PATENT DOCUMENTS**

CA 152318 11/2013  
CN 201530048509 \* 2/2015  
(Continued)

(73) Assignee: **The Procter & Gamble Company,**  
Cincinnati, OH (US)

**OTHER PUBLICATIONS**

Laundry Detergent: Detergent Packs, Spring Meadow, 4 PK. Online, published date unknown. Retrieved on Nov. 21, 2017 from <URL. [https://www.gamut.com/p/laundry-detergent-detergent-packs-spring-meadow-4-pk-NjM2Njgz?utm\\_source=google&utm\\_medium=cpc&adpos=1o1&scid=scplp287U584&sc\\_intid=287U584&gclid=EAlalQobChMltZiCjcXQ1wIVXIezCh3swgmSEAQYASABEgKGpvD\\_BwE](https://www.gamut.com/p/laundry-detergent-detergent-packs-spring-meadow-4-pk-NjM2Njgz?utm_source=google&utm_medium=cpc&adpos=1o1&scid=scplp287U584&sc_intid=287U584&gclid=EAlalQobChMltZiCjcXQ1wIVXIezCh3swgmSEAQYASABEgKGpvD_BwE)>.\*

(\*\*) Term: **15 Years**

(21) Appl. No.: **29/590,001**

(22) Filed: **Jan. 6, 2017**

(30) **Foreign Application Priority Data**

Jul. 18, 2016 (WO) ..... 968193301

(51) **LOC (11) Cl.** ..... **09-01**

(52) **U.S. Cl.**  
USPC ..... **D9/543**

(58) **Field of Classification Search**  
USPC ..... D9/434-435, 439, 447, 449, 450, 452, D9/454, 516, 520, 522-524, 528-531, D9/541-544, 549-551, 558-560, 563, D9/565-566, 571-575, 682, 686, 687, D9/693-694, 715, 719; D7/300, 300.1, D7/316, 317, 598; D23/211, 225  
CPC ... B65D 1/00; B65D 1/02; B65D 1/12; B65D 1/18; B65D 1/20; B65D 1/0223; B65D 2501/0009; B65D 2501/0081  
See application file for complete search history.

*Primary Examiner* — Karen S Acker  
*Assistant Examiner* — Omeed Agilee  
(74) *Attorney, Agent, or Firm* — Gregory S. Darley-Emerson

(57) **CLAIM**

The ornamental design for a container with lid, as shown and described above.

**DESCRIPTION**

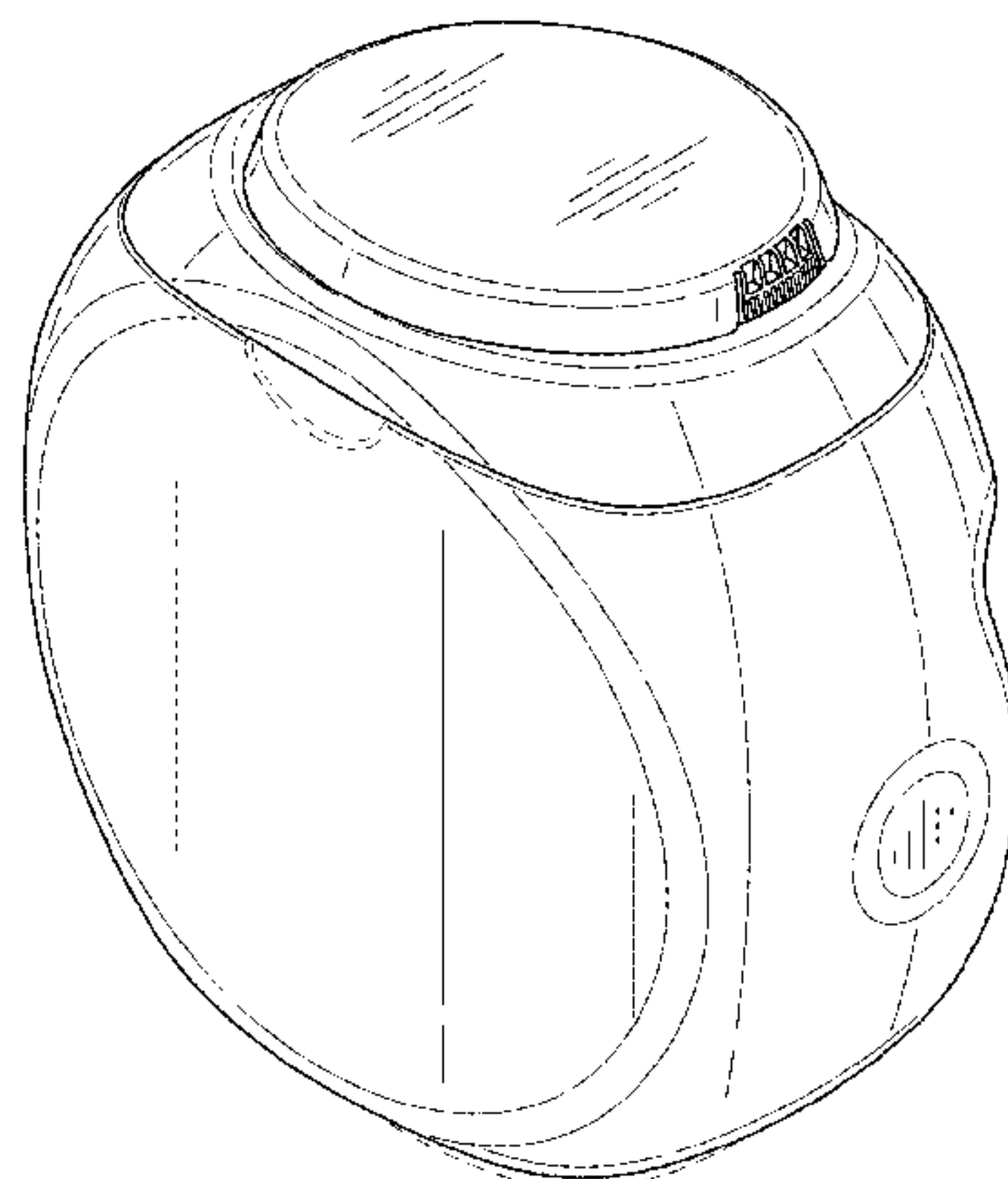
FIG. 1 is a perspective view of a container with lid;  
FIG. 2 is a front view thereof;  
FIG. 3 is a rear view thereof;  
FIG. 4 is a left side view thereof;  
FIG. 5 is a right side view thereof;  
FIG. 6 is a top plan view thereof; and,  
FIG. 7 is a bottom view thereof.  
The broken lines and the areas within the broken lines depict portions of the container with lid that form no part of the claimed design.

(56) **References Cited**

**U.S. PATENT DOCUMENTS**

4,149,646 A 4/1979 Julian  
D259,292 S \* 5/1981 Conrad ..... D30/101  
D295,090 S \* 4/1988 Sheridan ..... D30/101

**1 Claim, 7 Drawing Sheets**



(56)

References Cited

U.S. PATENT DOCUMENTS

5,927,526 A 7/1999 Herr  
 6,036,036 A 3/2000 Bilani et al.  
 6,112,921 A 9/2000 Robinson  
 6,168,035 B1 1/2001 McLelland  
 6,357,615 B1 3/2002 Herr  
 D510,461 S \* 10/2005 Vu ..... D28/66  
 D559,116 S \* 1/2008 Bates ..... D9/516  
 D588,459 S \* 3/2009 Davis ..... D9/449  
 7,641,064 B2 1/2010 Robinson  
 7,815,062 B2 10/2010 Suffa  
 D631,749 S \* 2/2011 Toh ..... D9/522  
 D637,912 S 5/2011 Van Den Wouwer et al.  
 D639,665 S \* 6/2011 Wilkins ..... D9/528  
 D646,575 S \* 10/2011 Davis ..... D9/530  
 8,038,026 B2 10/2011 Auer et al.  
 D649,063 S \* 11/2011 Bakalis ..... D9/544  
 8,051,999 B2 11/2011 Carmody et al.  
 8,079,483 B2 12/2011 Brozell et al.  
 8,087,539 B2 1/2012 Auer et al.  
 8,123,058 B2 2/2012 Brozell et al.  
 D656,402 S 3/2012 Kopulos et al.  
 D660,156 S 5/2012 Kopulos et al.  
 D660,168 S \* 5/2012 Kopulos ..... D9/543  
 D661,994 S \* 6/2012 Van Den Wouwer ..... D9/529  
 D662,817 S 7/2012 Andres et al.  
 D662,818 S 7/2012 Andres et al.  
 8,240,491 B2 8/2012 Beecroft et al.  
 D673,049 S \* 12/2012 Kopulos ..... D9/529  
 D673,857 S \* 1/2013 Kopulos ..... D9/543

D694,114 S \* 11/2013 Lecetre ..... D9/564  
 D708,065 S \* 7/2014 Pourian ..... D9/529  
 8,870,004 B2 10/2014 McCoy et al.  
 D741,725 S \* 10/2015 Gerhards ..... D9/707  
 D743,803 S \* 11/2015 Brandenburg ..... D9/564  
 D744,847 S \* 12/2015 Flood ..... D9/535  
 D756,228 S \* 5/2016 Premkumar ..... D9/523  
 D764,300 S \* 8/2016 De Baschmakoff ..... D9/445  
 2008/0277367 A1 11/2008 Yeager  
 2011/0204087 A1 8/2011 Kopulos et al.  
 2015/0175325 A1 6/2015 Martin

FOREIGN PATENT DOCUMENTS

EC 001688128-0001 3/2010  
 EM 002231753 3/2013  
 WO WO2006/082842 8/2006  
 WO WO2009/103947 A1 8/2009  
 WO DM89655 3/2016

OTHER PUBLICATIONS

U.S. Appl. No. 15/173,912, filed Jun. 6, 2016, Richard Michael Girardot, et al.  
 U.S. Appl. No. 15/173,920, filed Jun. 6, 2016, Richard Michael Girardot, et al.  
 U.S. Appl. No. 29/575,733, filed Aug. 29, 2016, Hilde Andriessen.  
 Images of Aleve bottle.  
 Images of Advil—bottle 1.  
 Images of Advil—bottle 2.

\* cited by examiner

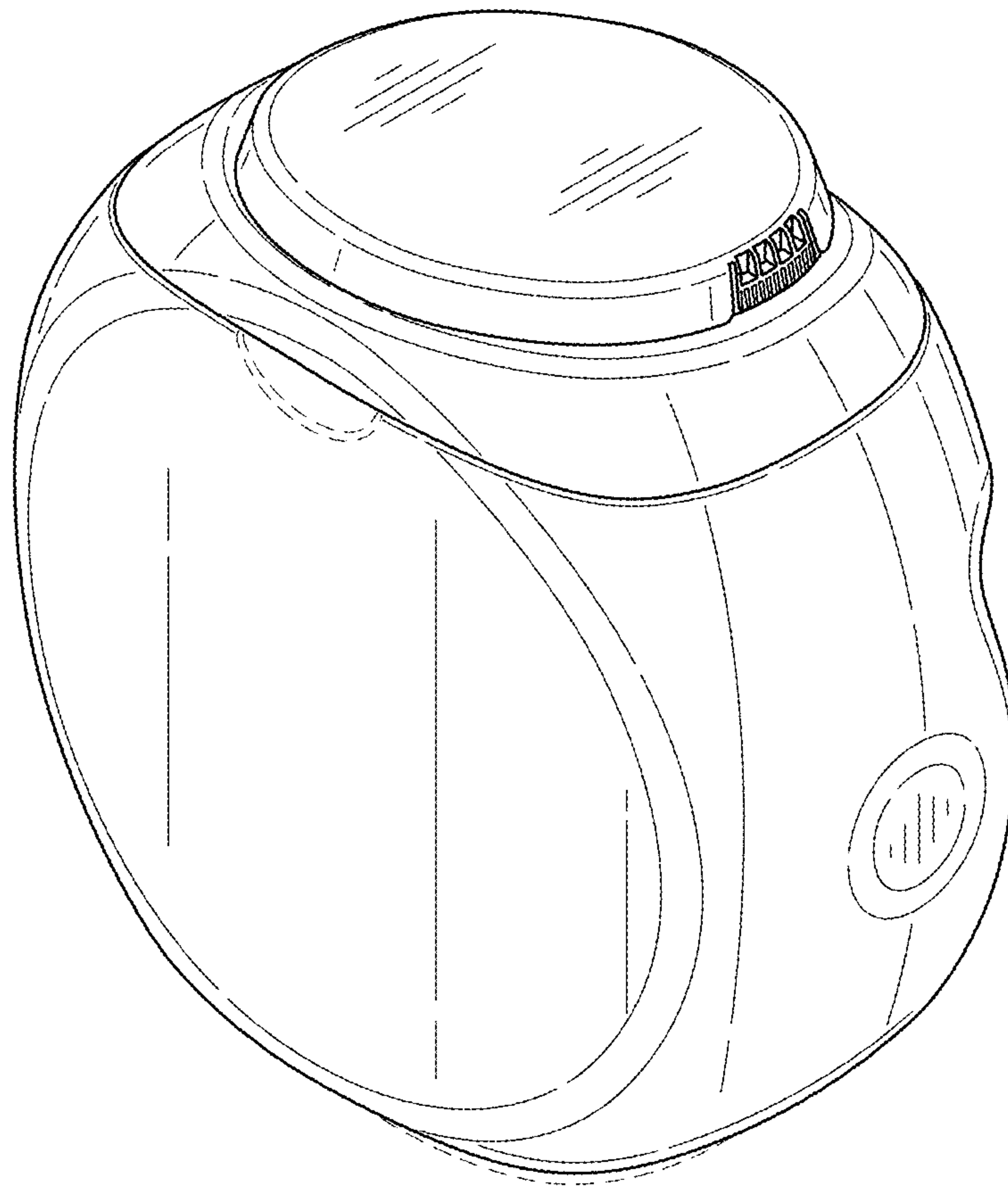


Fig. 1

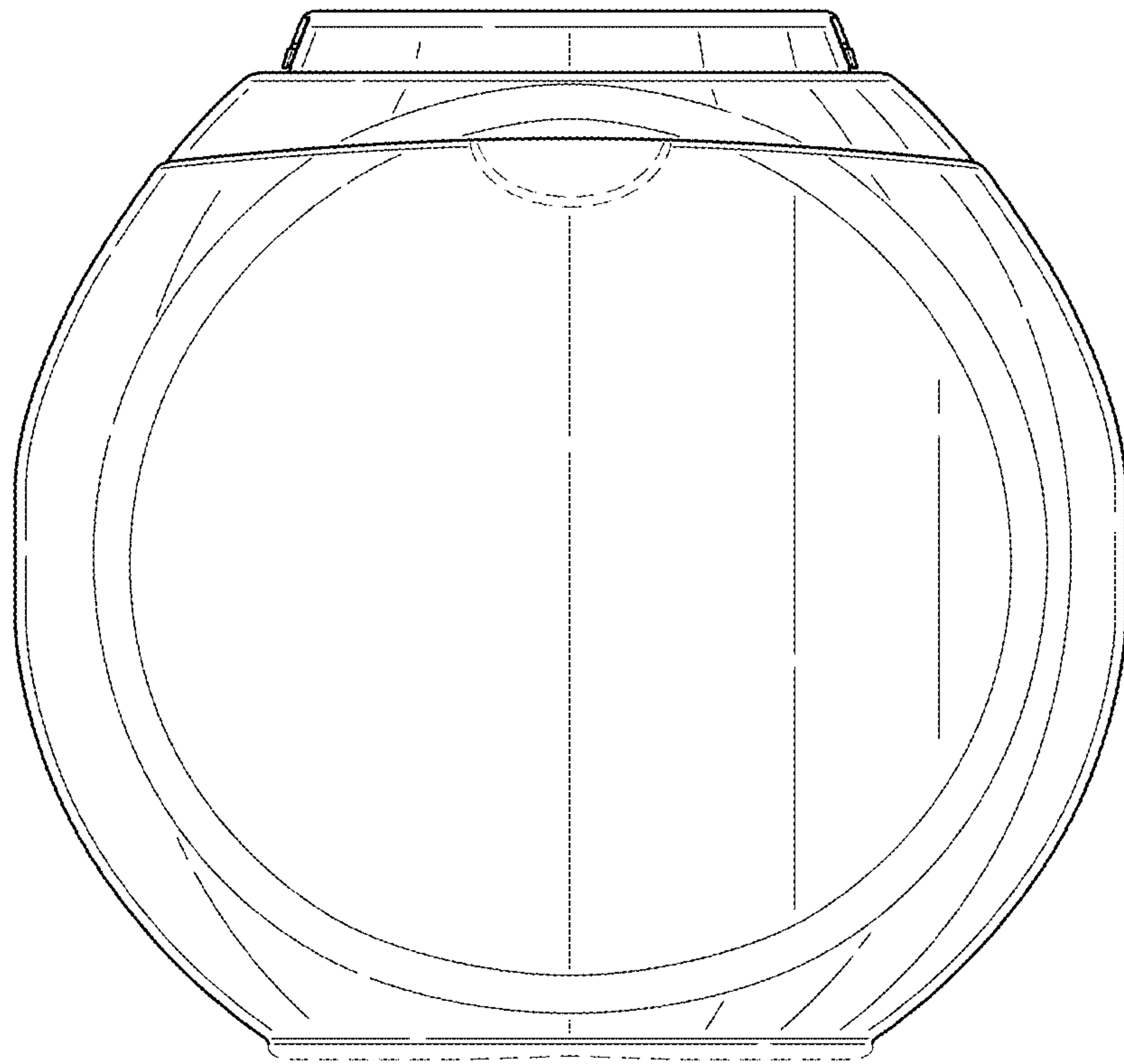


Fig. 2



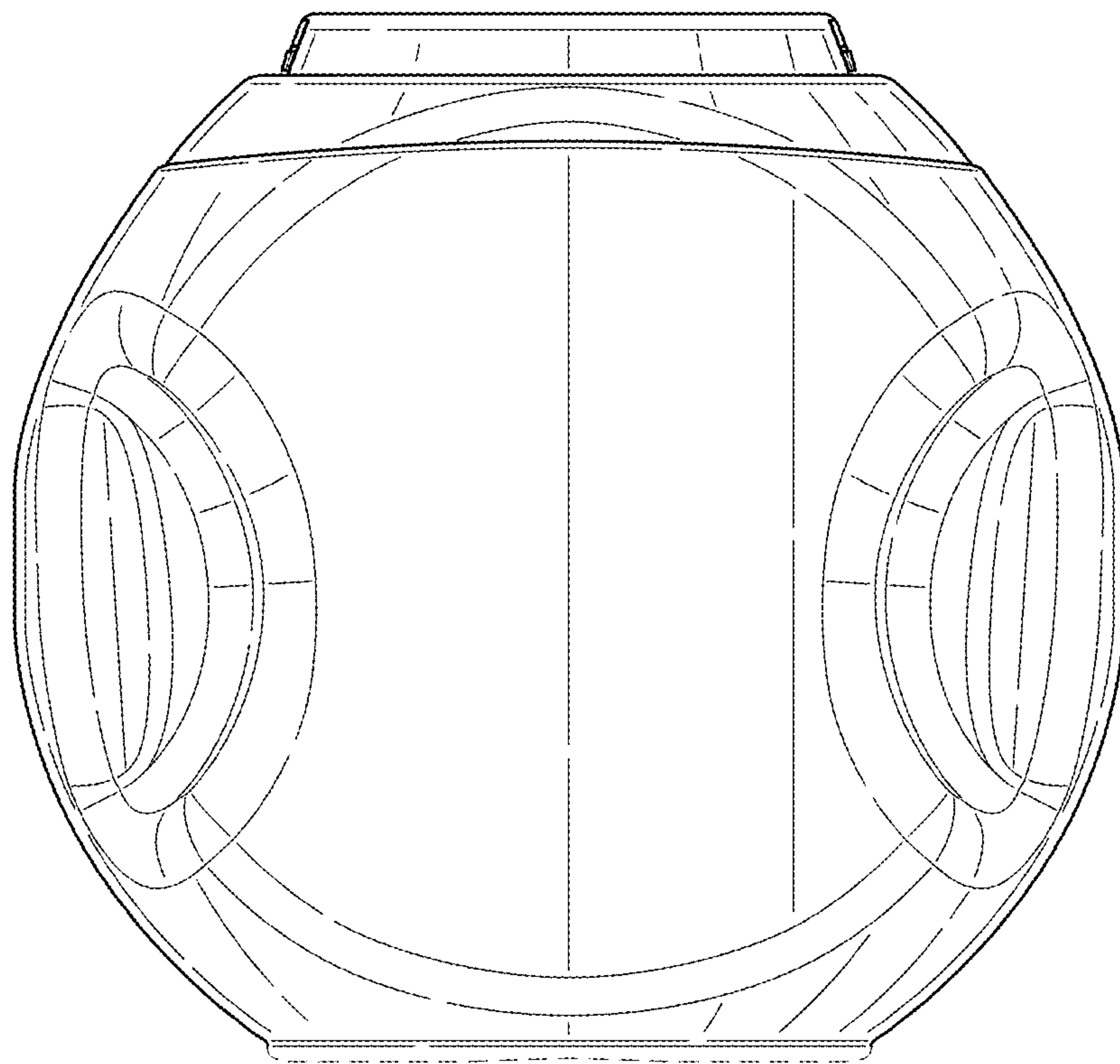


Fig. 3

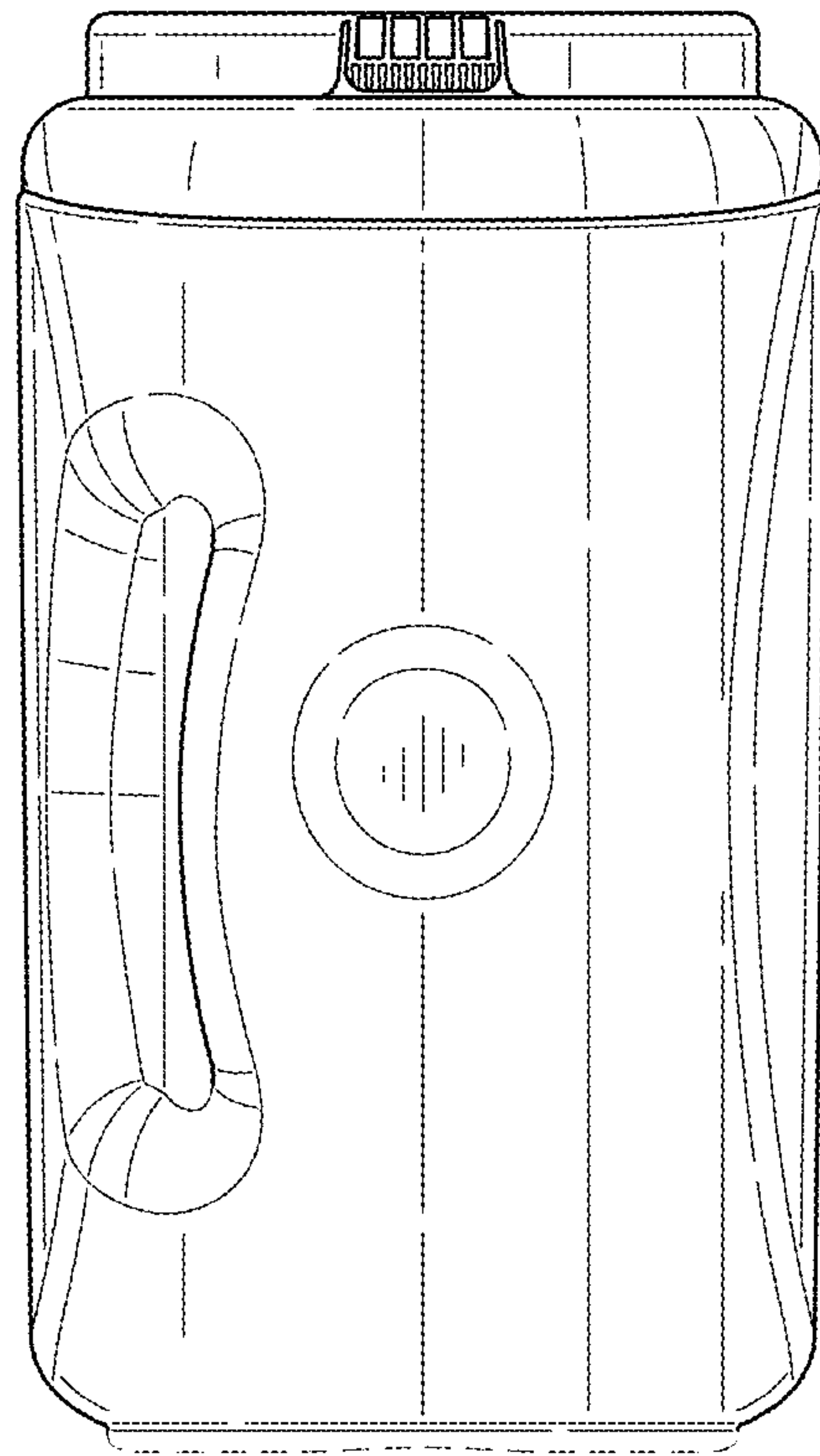


Fig. 4

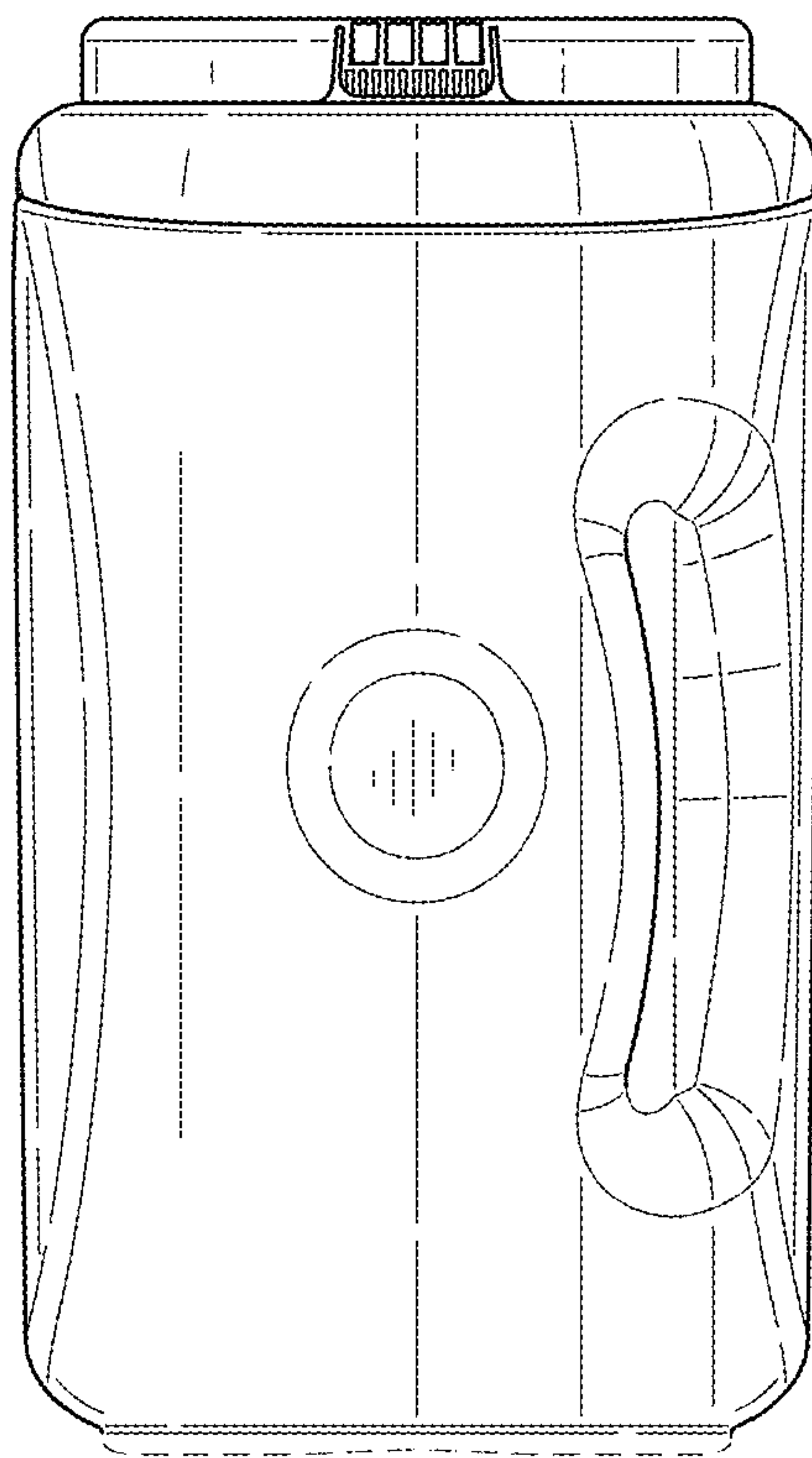


Fig. 5

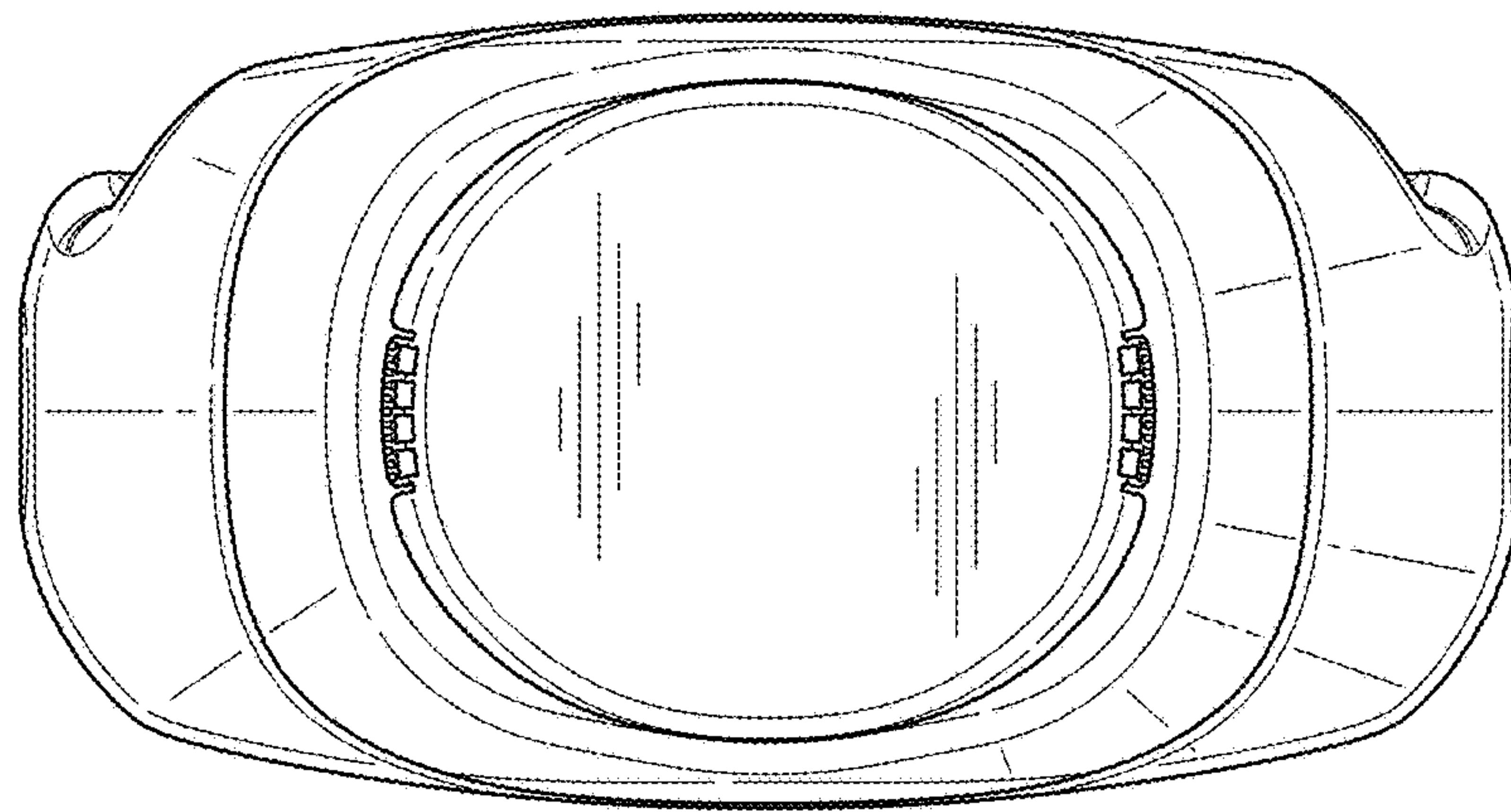


Fig. 6



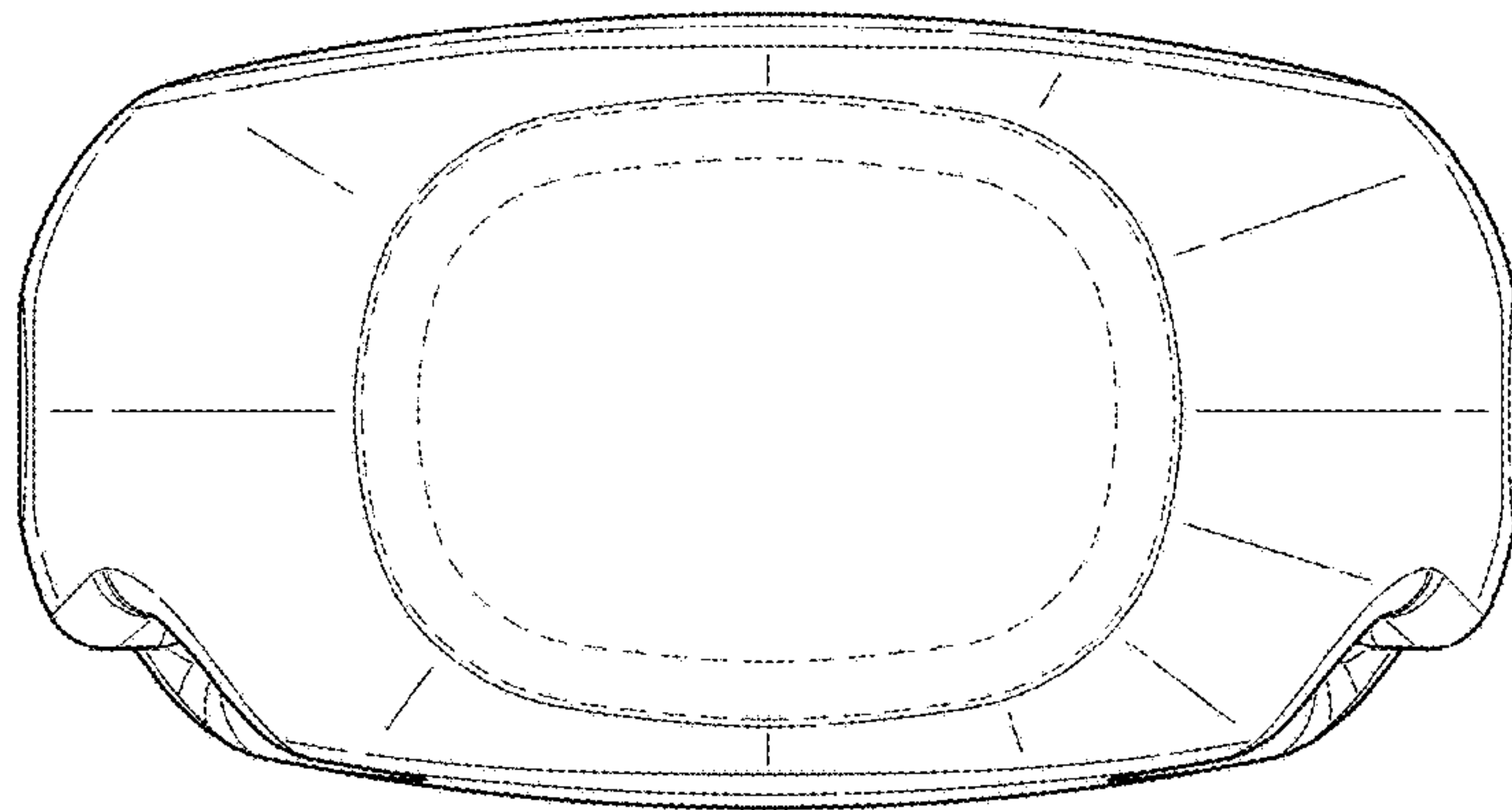


Fig. 7