



US00D835992S

(12) **United States Design Patent** (10) **Patent No.:** **US D835,992 S**  
**Giraud et al.** (45) **Date of Patent:** **\*\* Dec. 18, 2018**

- (54) **CONTAINER FOR STORAGE**
- (71) Applicant: **CSP TECHNOLOGIES, INC.,**  
Auburn, AL (US)
- (72) Inventors: **Jean-Pierre Giraud,** Auburn, AL (US);  
**Herve Pichot,** Chennevieres-sur-Marne  
(FR); **Franklin Lee Lucas, Jr.,**  
Opelika, AL (US)
- (73) Assignee: **CSP TECHNOLOGIES, INC.,**  
Auburn, AL (US)
- (\*\*) Term: **15 Years**
- (21) Appl. No.: **29/554,800**
- (22) Filed: **Feb. 16, 2016**
- (51) **LOC (11) Cl.** ..... **09-01**
- (52) **U.S. Cl.**  
USPC ..... **D9/529; D9/449; D9/585; D9/549**
- (58) **Field of Classification Search**  
USPC ..... D9/414, 421, 518, 520, 524, 529, 560,  
D9/563, 572, 575, 715, 741, 763, 779,  
D9/780, 549, 550, 543  
CPC ..... B65D 2543/00194; B65D 2543/00805;  
B65D 2543/00694; B65D 43/163; B65D  
83/06  
See application file for complete search history.

(56) **References Cited**

**U.S. PATENT DOCUMENTS**

|              |         |                   |          |
|--------------|---------|-------------------|----------|
| D247,158 S * | 2/1978  | Evangelista ..... | D9/523   |
| D322,358 S * | 12/1991 | Jacober .....     | D3/202   |
| D322,383 S * | 12/1991 | Jones .....       | D15/90   |
| D349,418 S * | 8/1994  | Kostanecki .....  | D7/619.1 |
| D521,230 S * | 5/2006  | Linz .....        | D3/202   |
| D563,234 S * | 3/2008  | Moreno .....      | D9/572   |
| D566,329 S * | 4/2008  | Bagaric .....     | D27/189  |
| D586,221 S * | 2/2009  | Shaikh .....      | D9/523   |

|              |         |                   |         |
|--------------|---------|-------------------|---------|
| D604,165 S * | 11/2009 | Gilbert .....     | D9/443  |
| D614,497 S * | 4/2010  | Pola .....        | D9/443  |
| D621,951 S * | 8/2010  | Bucholtz .....    | D24/224 |
| D644,740 S * | 9/2011  | John .....        | D24/224 |
| D654,366 S * | 2/2012  | Presche .....     | D9/504  |
| D668,773 S * | 10/2012 | Shanler .....     | D24/224 |
| D689,361 S * | 9/2013  | Wada .....        | D9/420  |
| D720,620 S * | 1/2015  | Gerard .....      | D9/522  |
| D729,010 S * | 5/2015  | Logel .....       | D7/510  |
| D729,366 S * | 5/2015  | Kauss .....       | D23/360 |
| D741,035 S * | 10/2015 | van Pruysen ..... | D32/53  |
| D742,062 S * | 10/2015 | Almsberger .....  | D27/143 |
| D751,757 S * | 3/2016  | Stern .....       | D27/189 |
| D769,721 S * | 10/2016 | Zahr .....        | D27/186 |
| D793,235 S * | 8/2017  | Bois .....        | D9/435  |
| D801,507 S * | 10/2017 | Kelnhofer .....   | D23/366 |
| D804,313 S * | 12/2017 | Reches .....      | D9/522  |
| D812,479 S * | 3/2018  | Li .....          | D9/503  |

(Continued)

*Primary Examiner* — Ian Simmons

*Assistant Examiner* — Keith Frank

(74) *Attorney, Agent, or Firm* — David B. Gornish;  
Eckert Seamans Cherin & Mellott LLC

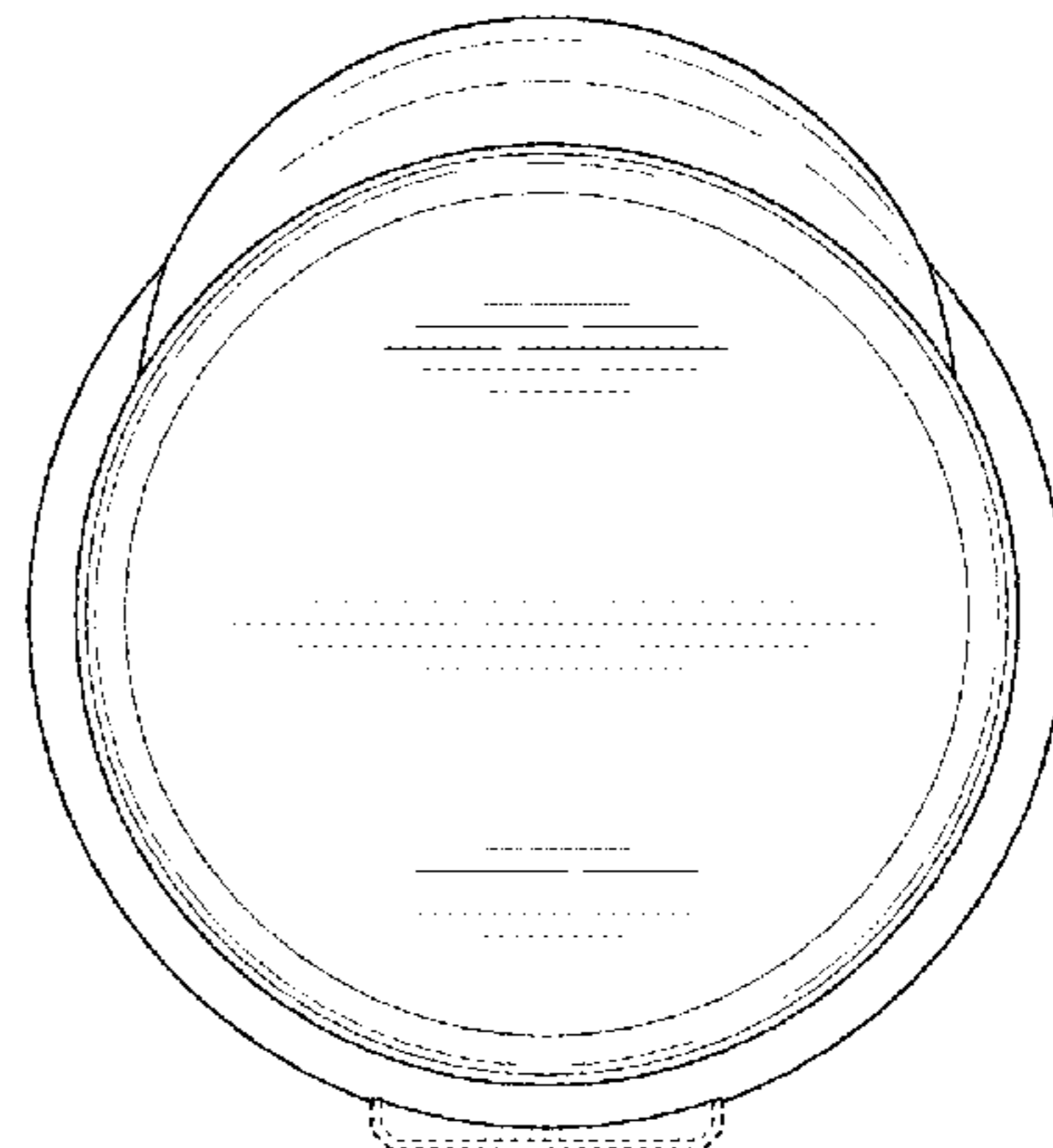
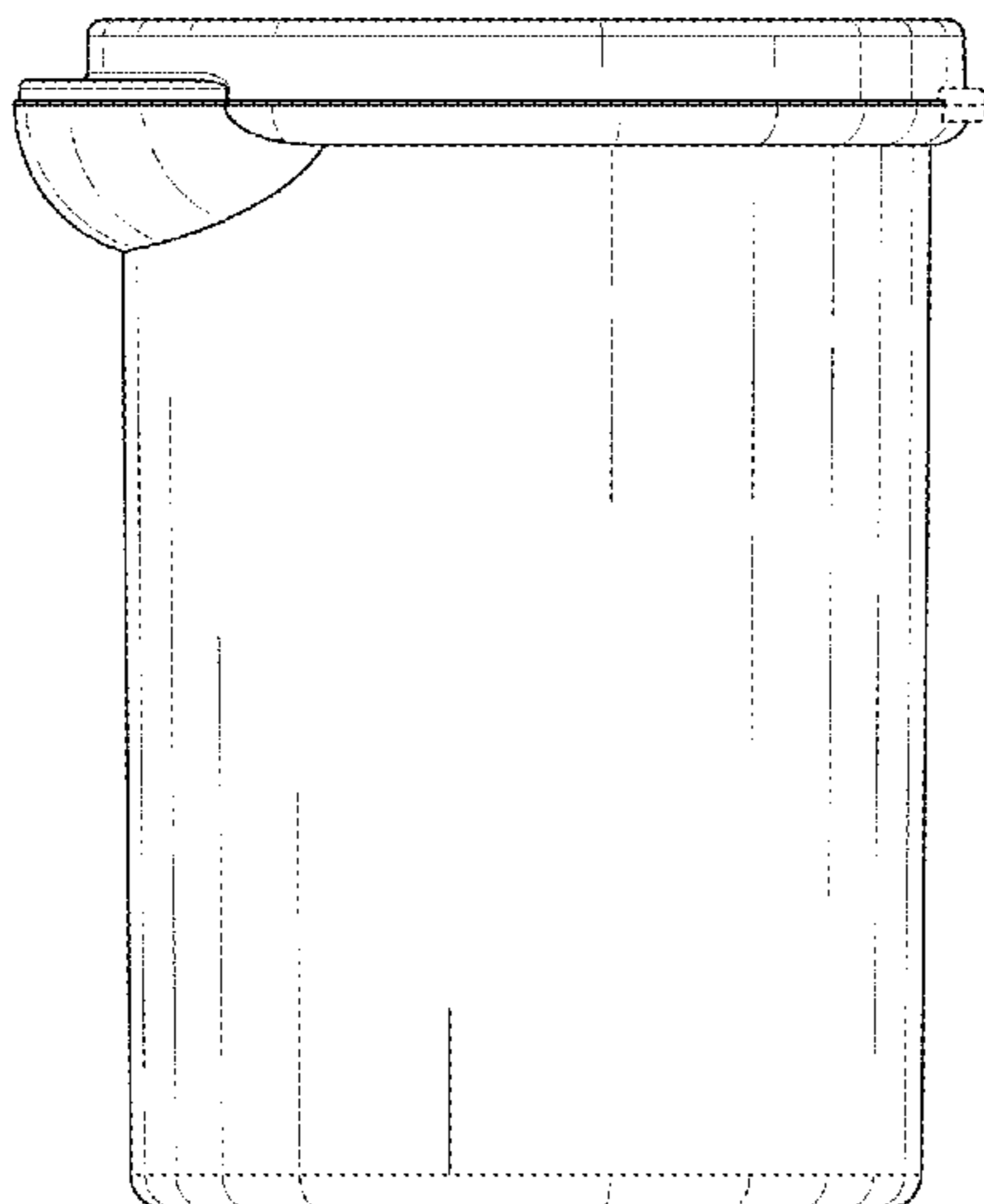
(57) **CLAIM**

The ornamental design for a container for storage, as shown and described.

**DESCRIPTION**

FIG. 1 is an isometric view of a second embodiment of a container for storage showing our new design;  
 FIG. 2 is a front elevation view thereof;  
 FIG. 3 is a rear elevation view thereof;  
 FIG. 4 is a left side elevation view thereof;  
 FIG. 5 is a right side elevation view thereof;  
 FIG. 6 is a top plan view thereof; and,  
 FIG. 7 is a bottom plan view thereof.  
 The features shown in broken lines in the drawings depict unclaimed subject matter only and form no part of the claimed design.

**1 Claim, 5 Drawing Sheets**



(56)

**References Cited**

U.S. PATENT DOCUMENTS

2010/0051636 A1\* 3/2010 Logel ..... B65D 43/169  
220/834  
2010/0224646 A1\* 9/2010 Incorvia ..... B29C 45/0081  
220/839  
2011/0000930 A1\* 1/2011 Logel ..... B65D 43/162  
220/849  
2016/0120218 A1\* 5/2016 Schennum ..... A24F 15/12  
206/266

\* cited by examiner

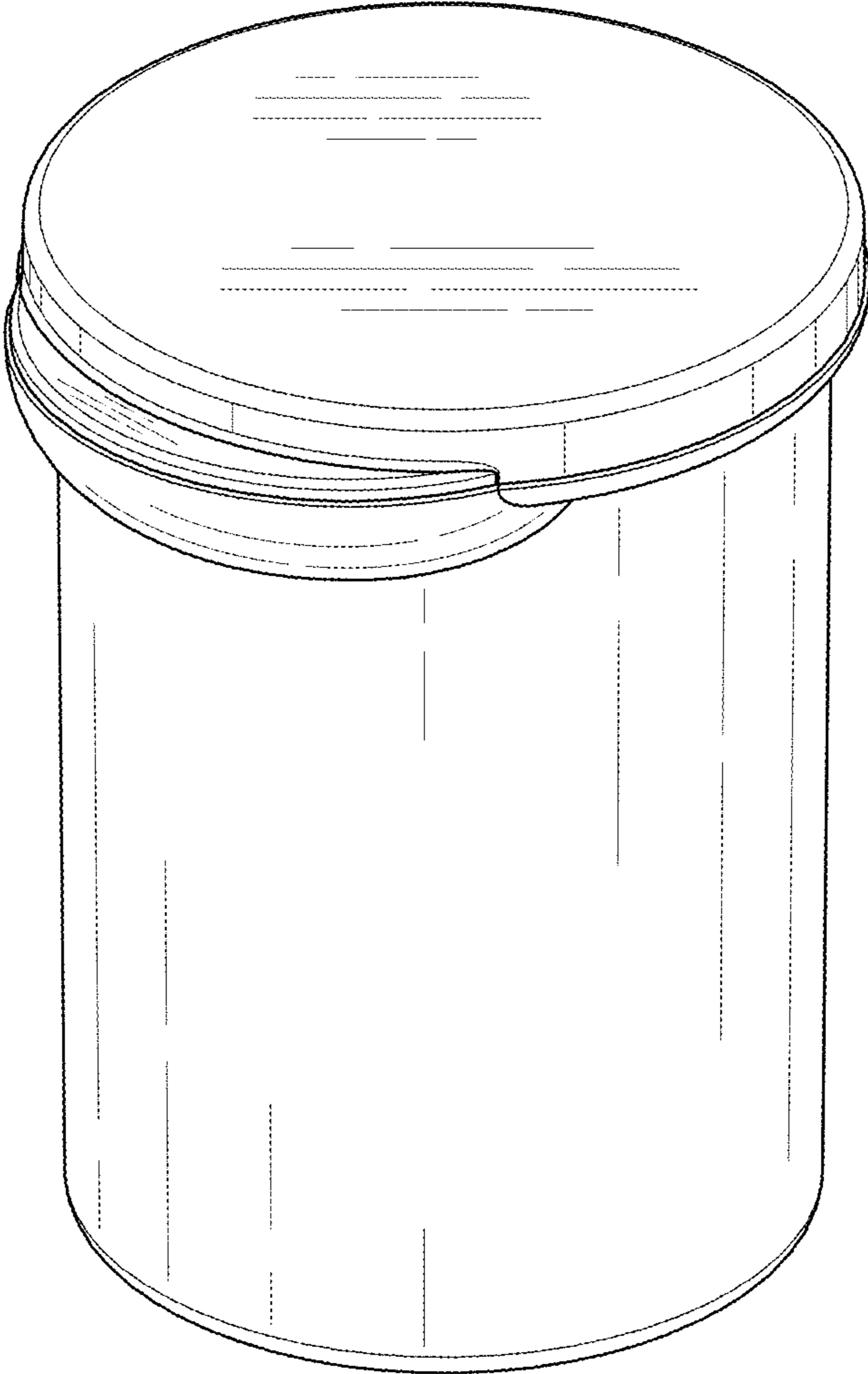


FIG. 1

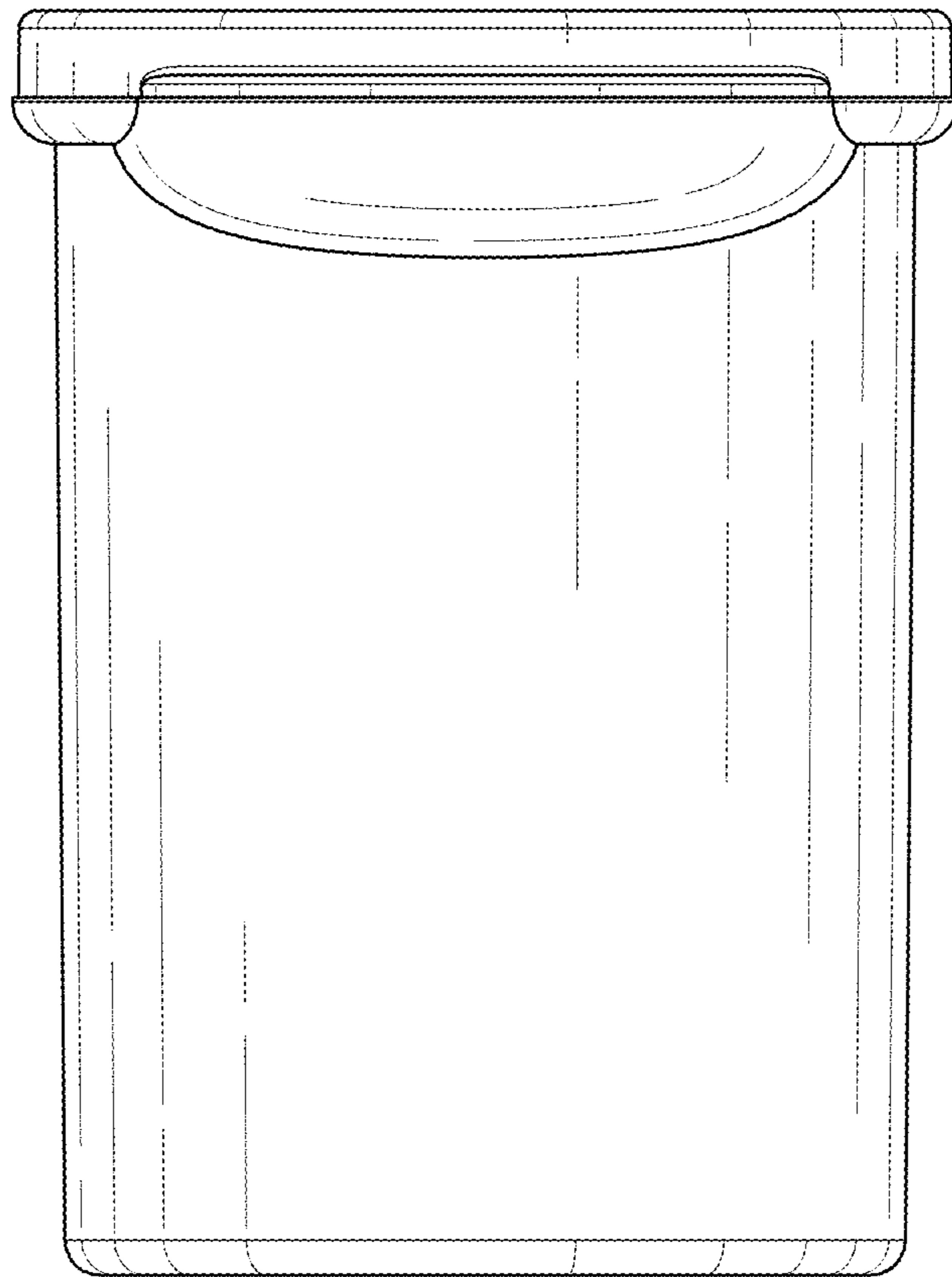


FIG. 2

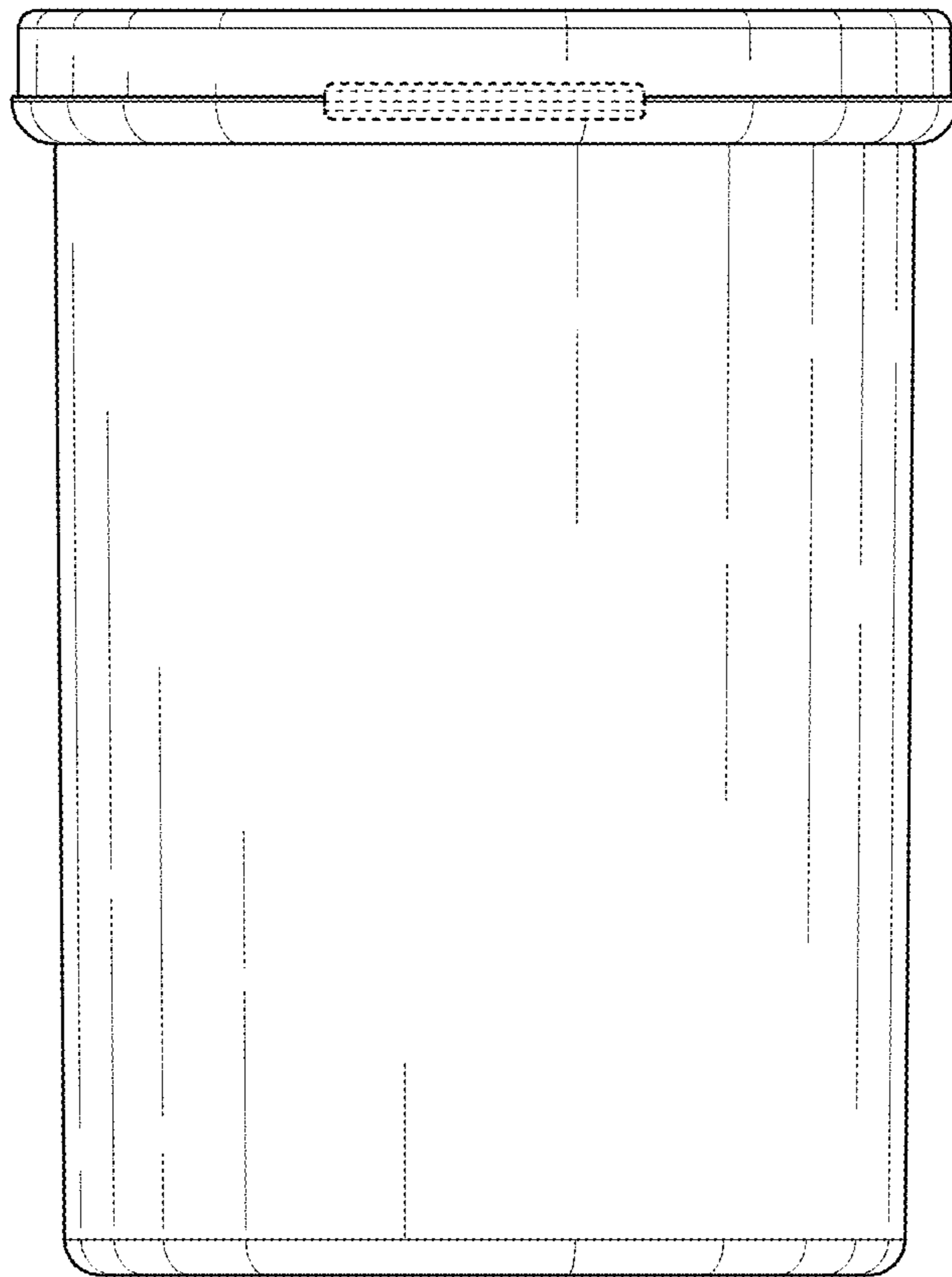


FIG. 3

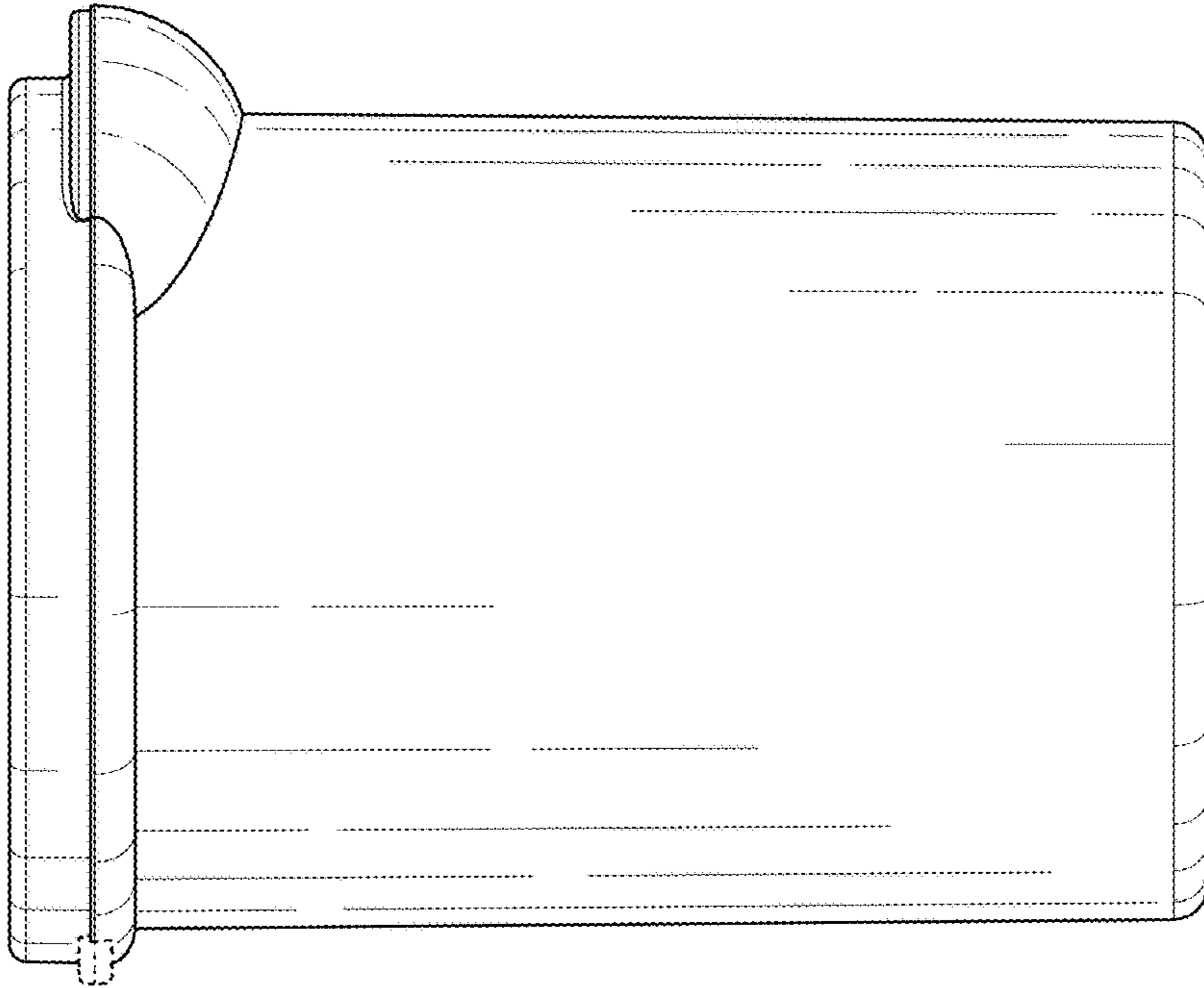


FIG. 4

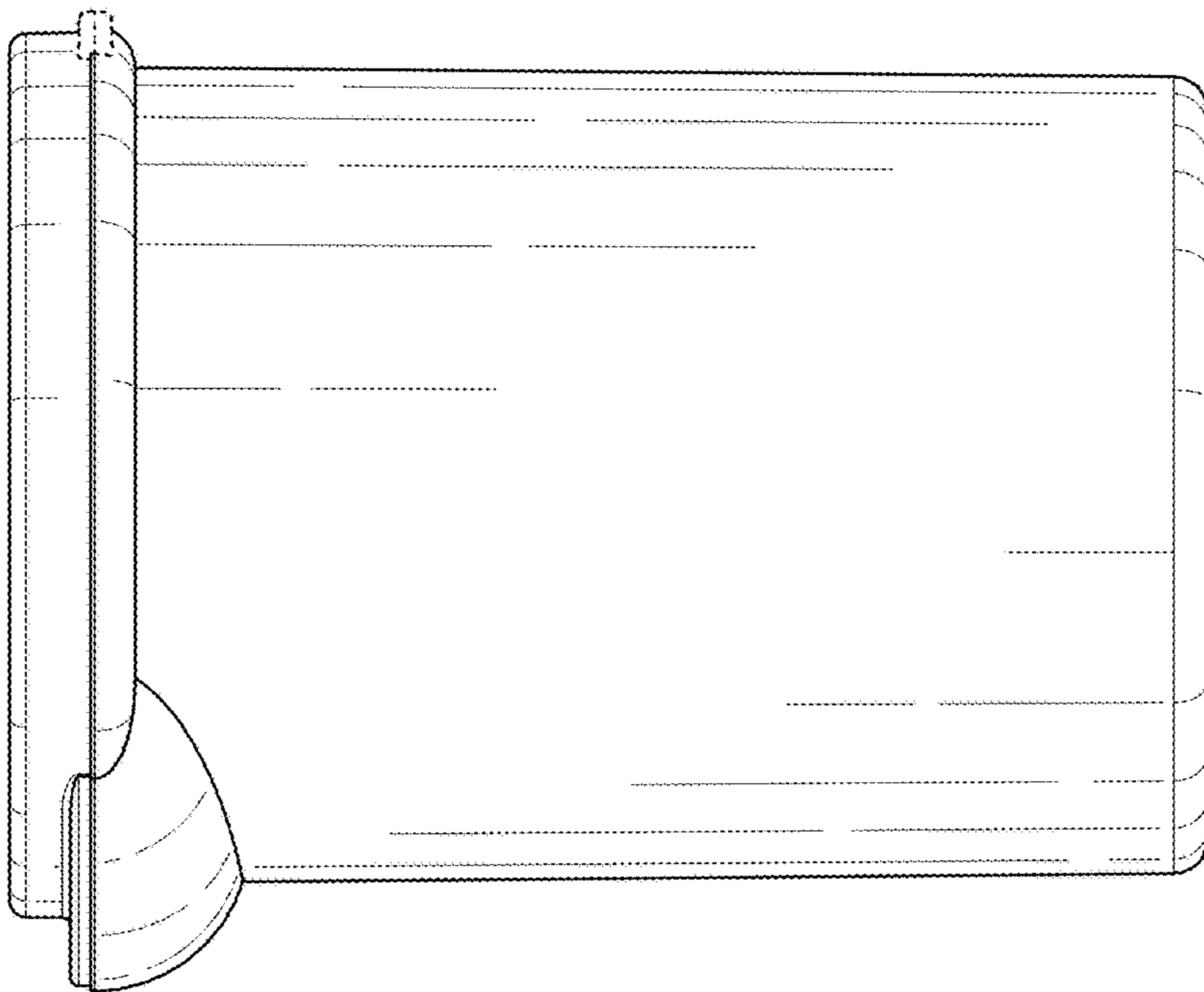


FIG. 5

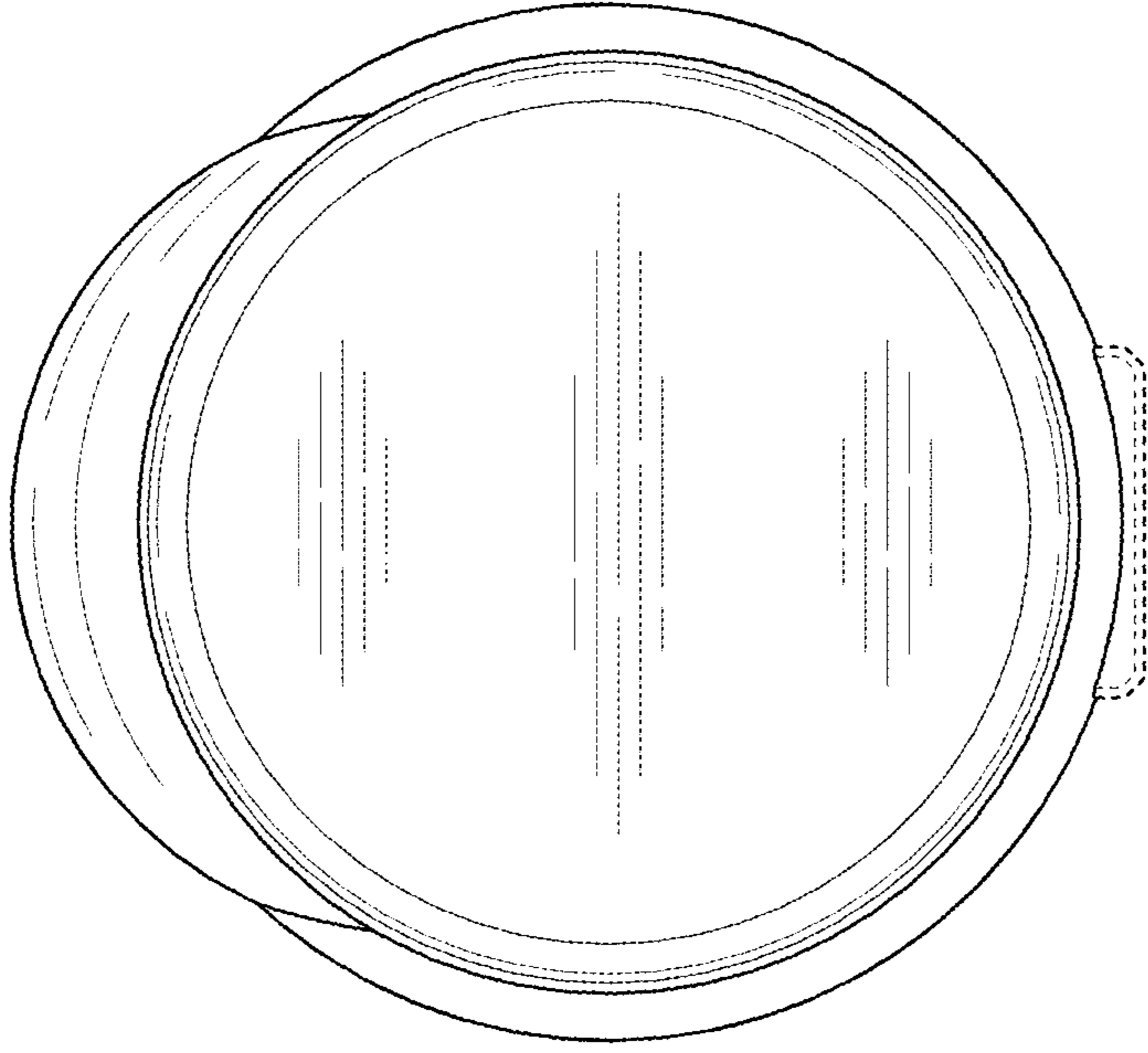


FIG. 7

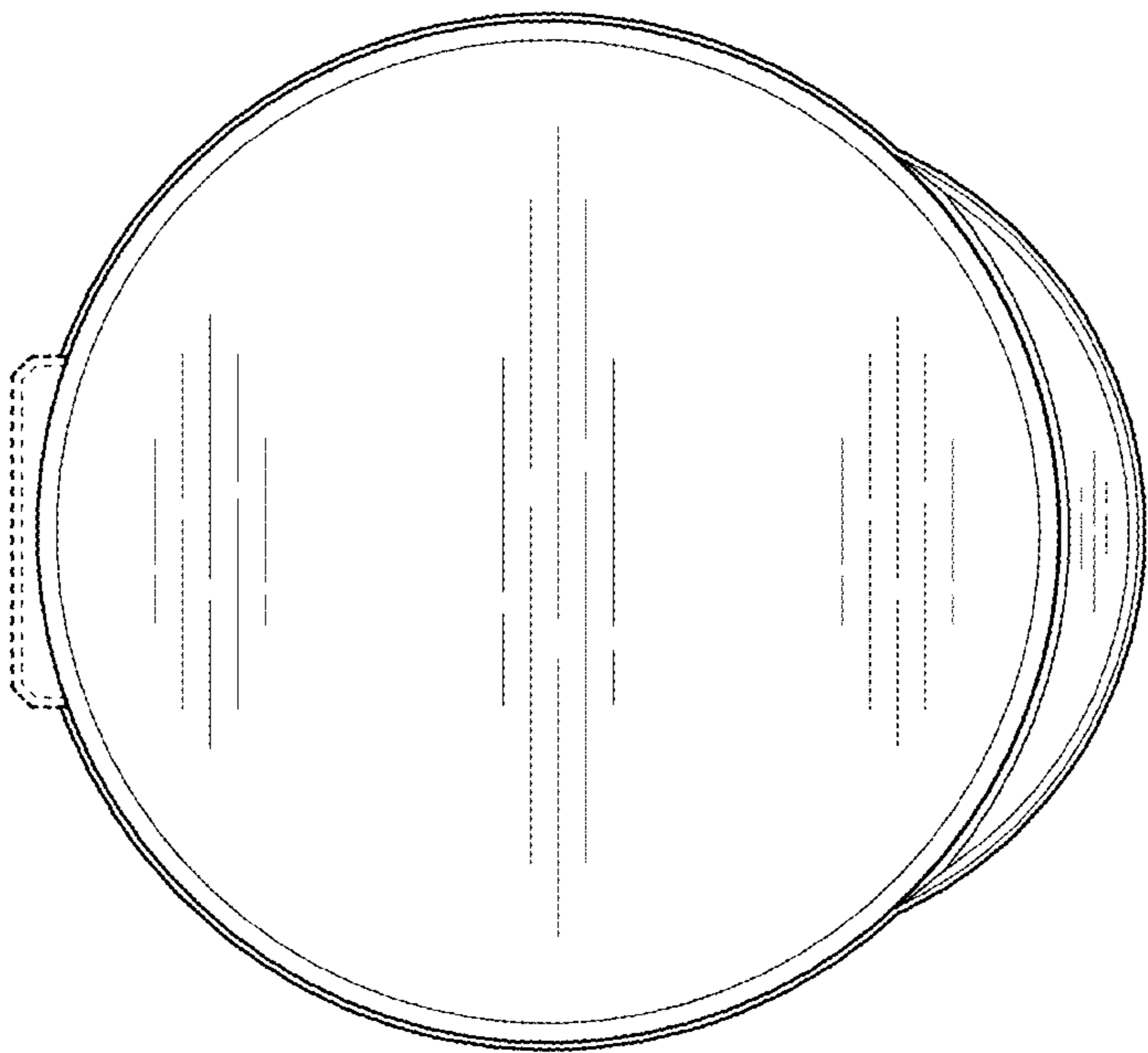


FIG. 6