



US00D835991S

(12) **United States Design Patent**
Veldhuis

(10) **Patent No.:** **US D835,991 S**

(45) **Date of Patent:** **** Dec. 18, 2018**

(54) **CONTAINER FOR FLUIDS**

2543/00805; B65D 2571/0066; B65D
2585/36

(71) Applicant: **BARK INNOVATIONS B.V.**, Eerbeek
(NL)

See application file for complete search history.

(72) Inventor: **Jorn Veldhuis**, Eerbeek (NL)

(73) Assignee: **Bark Innovations B.V.** (NL)

(**) Term: **15 Years**

(21) Appl. No.: **35/501,249**

(22) Filed: **Apr. 8, 2016**

(80) **Hague Agreement Data**

Int. Filing Date: **Apr. 8, 2016**

Int. Reg. No.: **DM/091497**

Int. Reg. Date: **Apr. 8, 2016**

Int. Reg. Pub. Date: **Jul. 22, 2016**

(51) **LOC (11) Cl.** **09-01**

(52) **U.S. Cl.**

USPC **D9/523; D9/528; D9/531; D9/547;**
D9/543

(58) **Field of Classification Search**

USPC **D9/516, 522, 523, 528, 530, 531, 541,**
D9/543, 547, 549, 551, 552, 554, 556,
D9/557, 559, 560, 565, 567, 569-572,
D9/575; 229/87.01, 87.08-87.09;
426/118, 128

CPC ... **A23B 7/148; A23L 3/2418; A23V 2002/00;**
A47G 1/001; B65D 65/04; B65D 65/14;
B65D 65/22; B65D 75/08; B65D 75/322;
B65D 77/08; B65D 77/225; B65D
81/3461; B65D 85/36; B65D 85/60;
B65D 2101/0015; B65D 2205/00; B65D
2543/00296; B65D 2543/00694; B65D

(56) **References Cited**

U.S. PATENT DOCUMENTS

D165,984 S *	2/1952	Konefes	D9/526
D224,701 S *	9/1972	Wright	206/806
D226,168 S *	1/1973	Muscatiello	D9/522
D246,156 S *	10/1977	Muscatiello	D9/525
D302,521 S *	8/1989	Grinde	D9/524
4,856,685 A *	8/1989	Gaffney	B65D 83/00 220/771
D307,553 S *	5/1990	Matthews	D9/547
D471,461 S *	3/2003	McGowan	D9/449
D473,794 S *	4/2003	Ouillette	D9/523
D553,990 S *	10/2007	Muhlhausen	D9/447
D565,415 S *	4/2008	Lablaine	D9/531
D590,262 S *	4/2009	Watson	D9/528
D656,030 S *	3/2012	Lee	D9/531
D660,710 S *	5/2012	Kallenbach	D9/528
D693,691 S *	11/2013	Nachtsheim	D9/523

(Continued)

Primary Examiner — Keli L Hill

(74) *Attorney, Agent, or Firm* — Woodard Emhardt
Moriarty McNett & Henry LLP

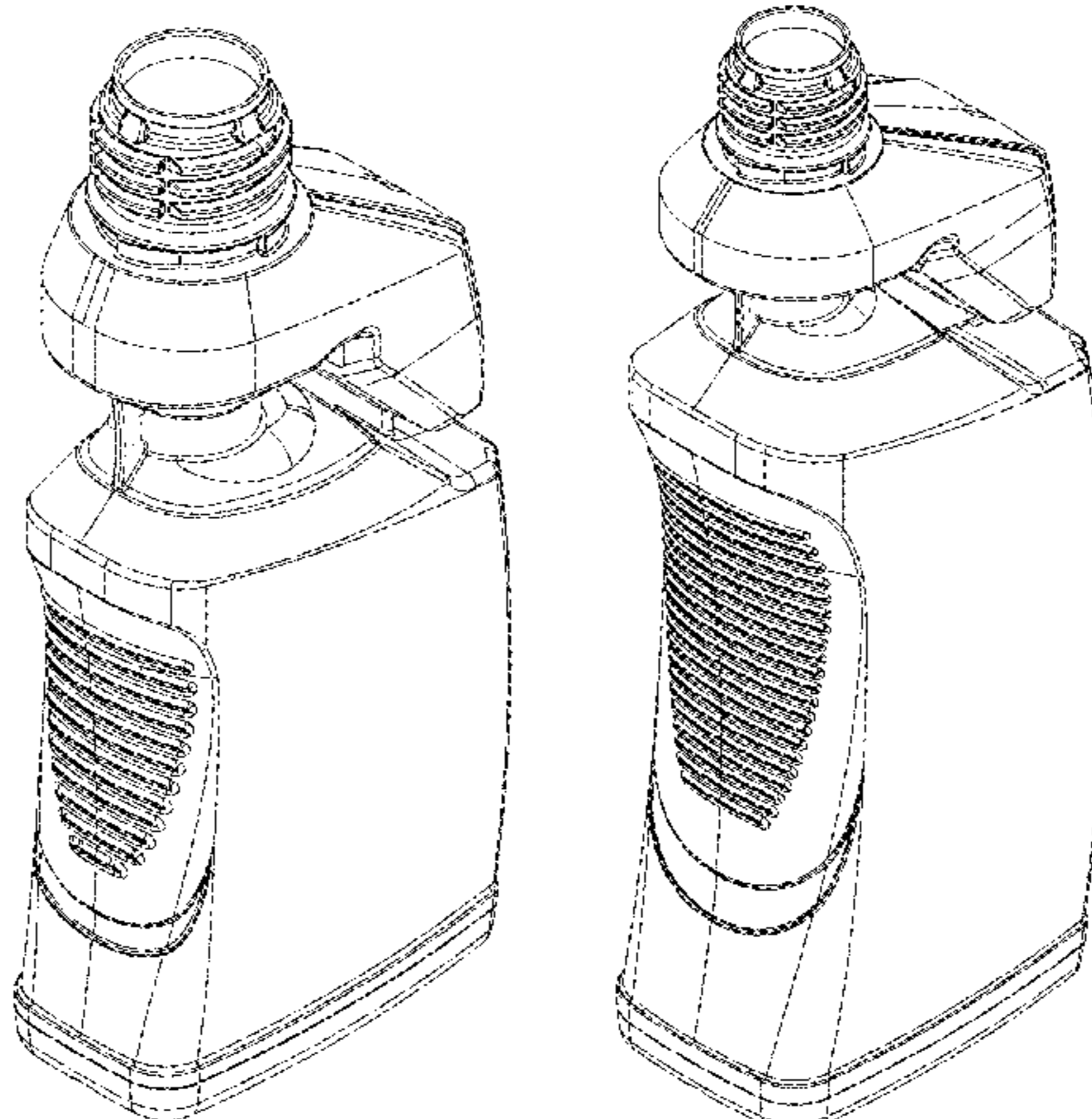
(57) **CLAIM**

The ornamental design for a container for fluids, as shown
and described.

DESCRIPTION

- 1.1** is a side elevation view of a container for fluids.
- 1.2** is a rear elevation view of the container of FIG. **1.1**.
- 1.3** is a front elevation view of the container of FIG. **1.1**.
- 1.4** is a front and side perspective view of the container of FIG. **1.1**.
- 2.1** is a side elevation view of a container for fluids.
- 2.2** is a rear elevation view of the container of FIG. **2.1**.
- 2.3** is a front elevation view of the container of FIG. **2.1**.
- 2.4** is a front and side perspective view of the container of FIG. **2.1**.

(Continued)



The broken lines shown in the drawing represent unclaimed portions of the container for fluids and form no part of the claimed design.

1 Claim, 8 Drawing Sheets

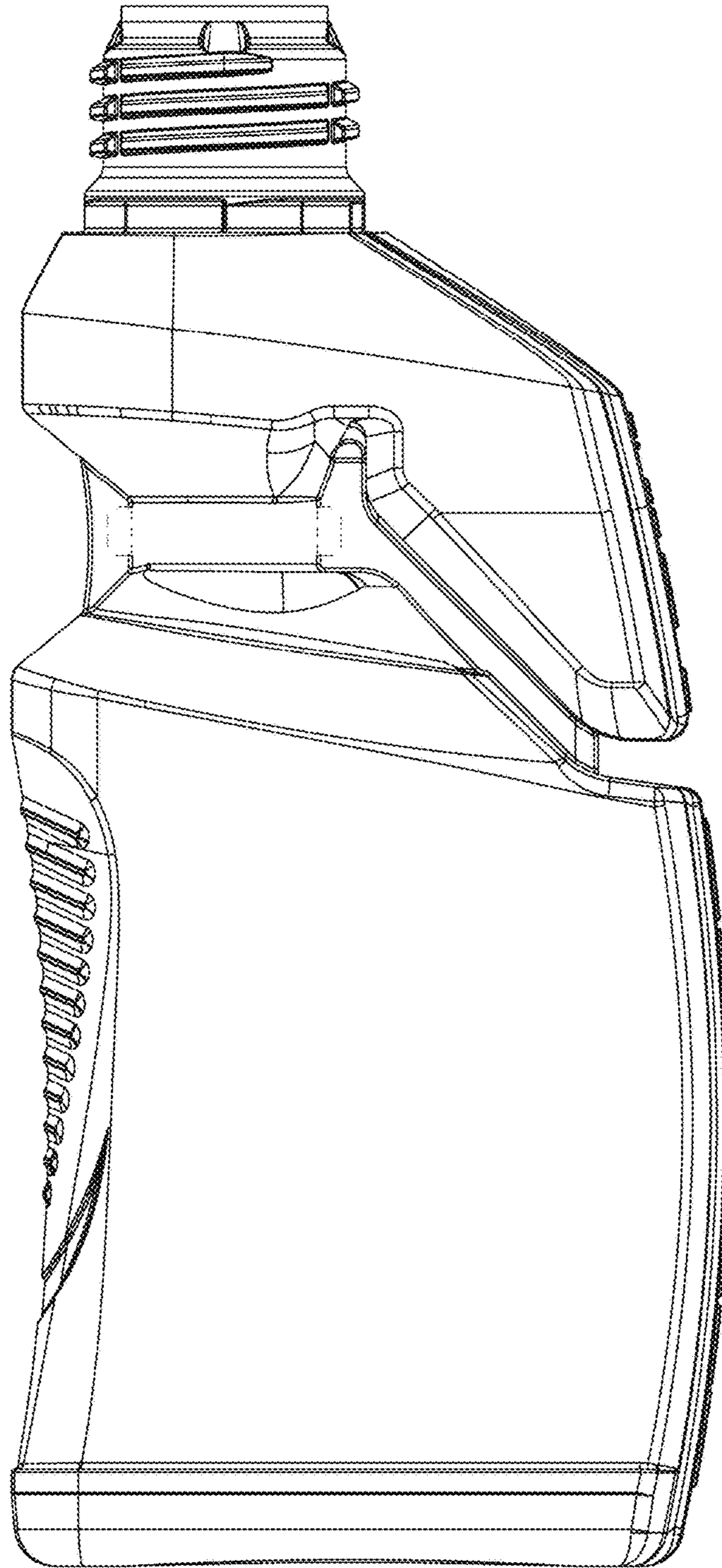
(56)

References Cited

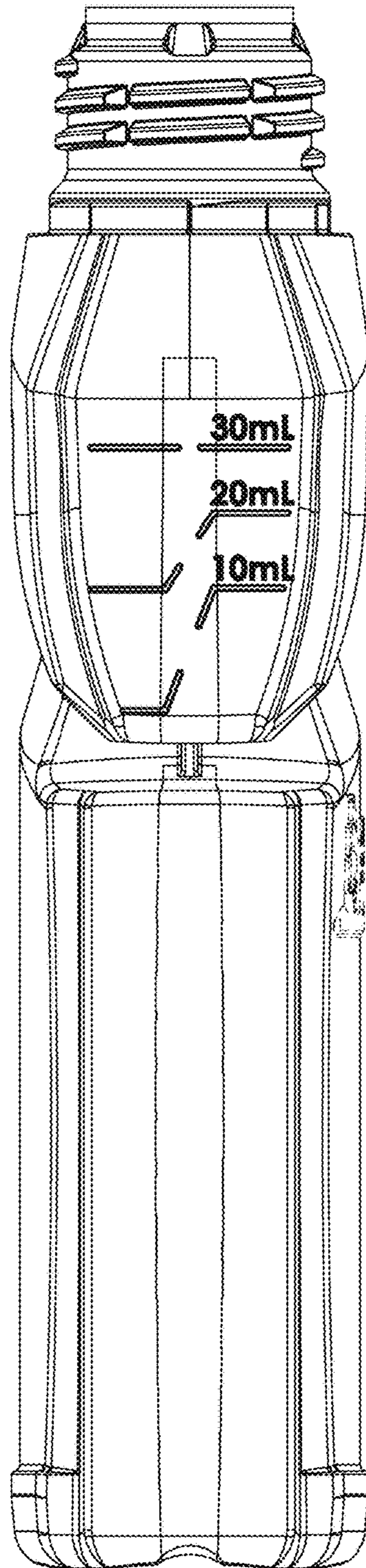
U.S. PATENT DOCUMENTS

D726,014 S * 4/2015 Jasso Gomez D9/531
D820,092 S * 6/2018 Tatievski D9/528

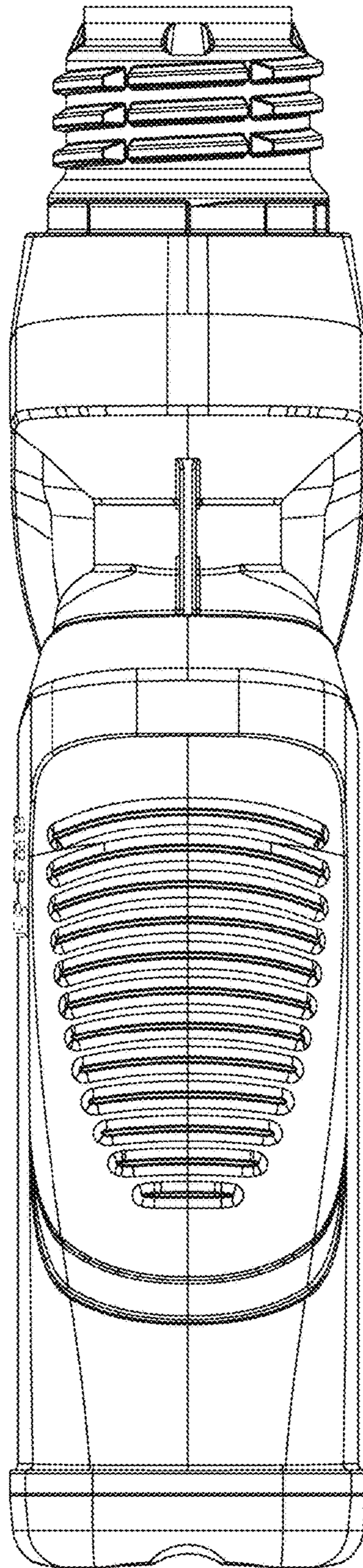
* cited by examiner



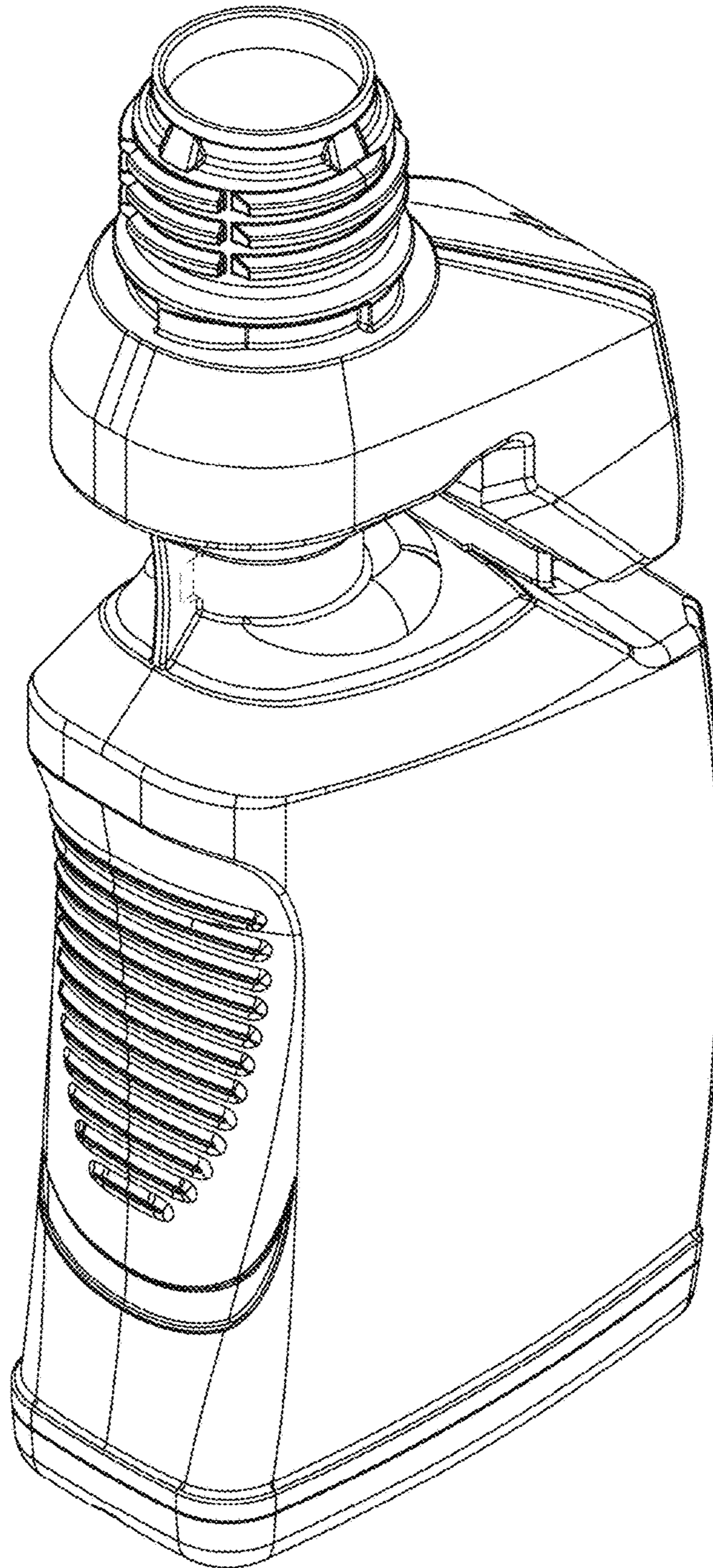
1.1



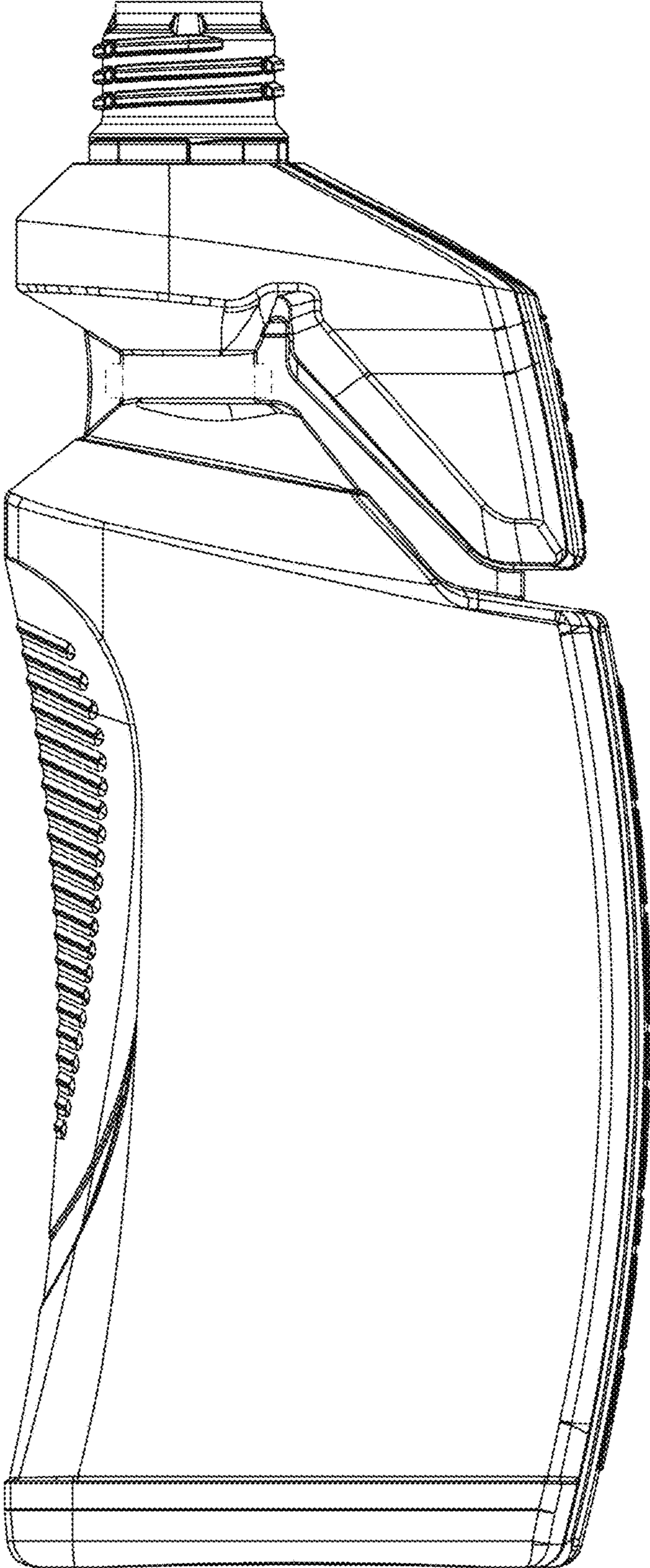
1.2



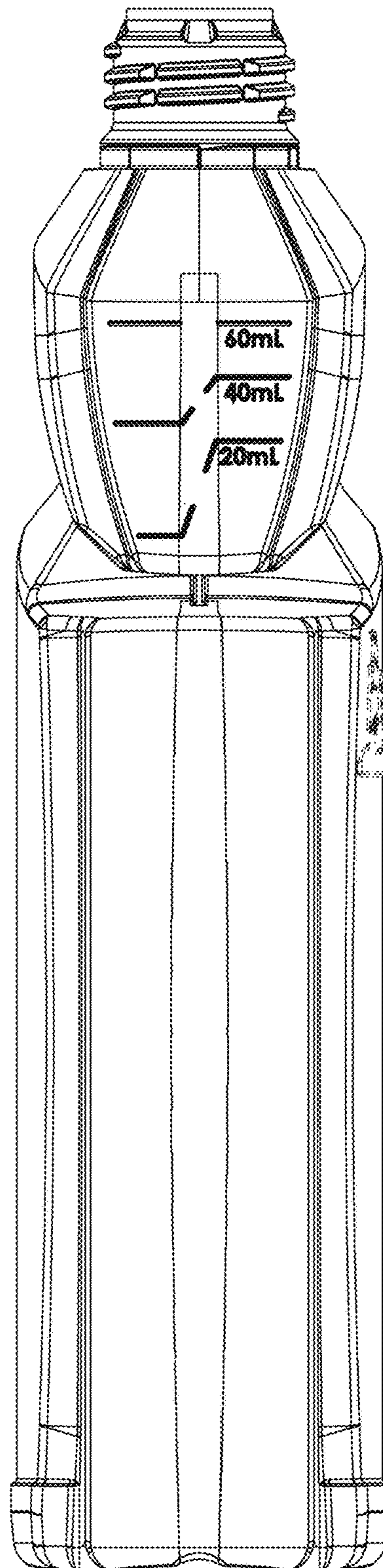
1.3



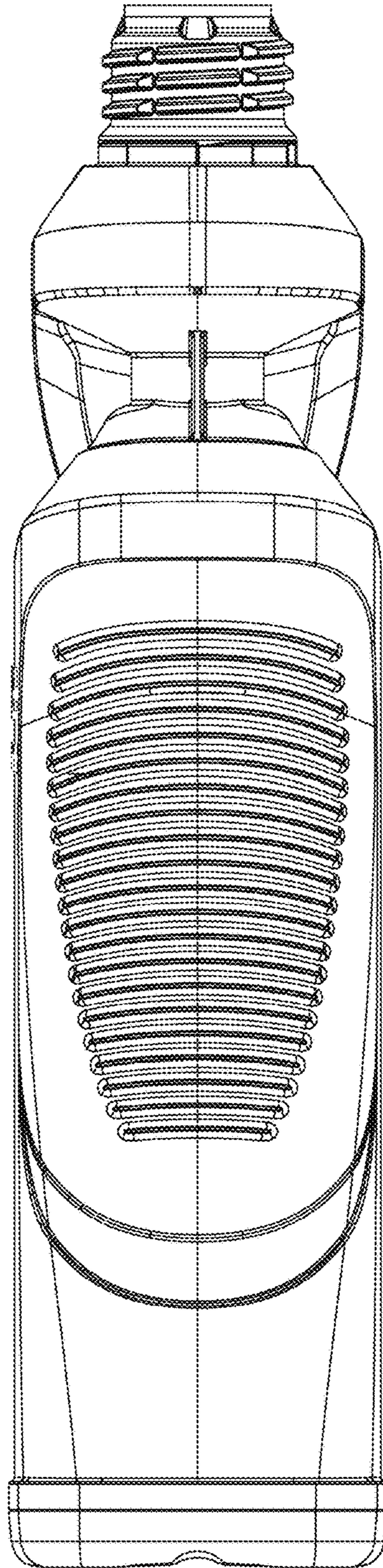
1.4



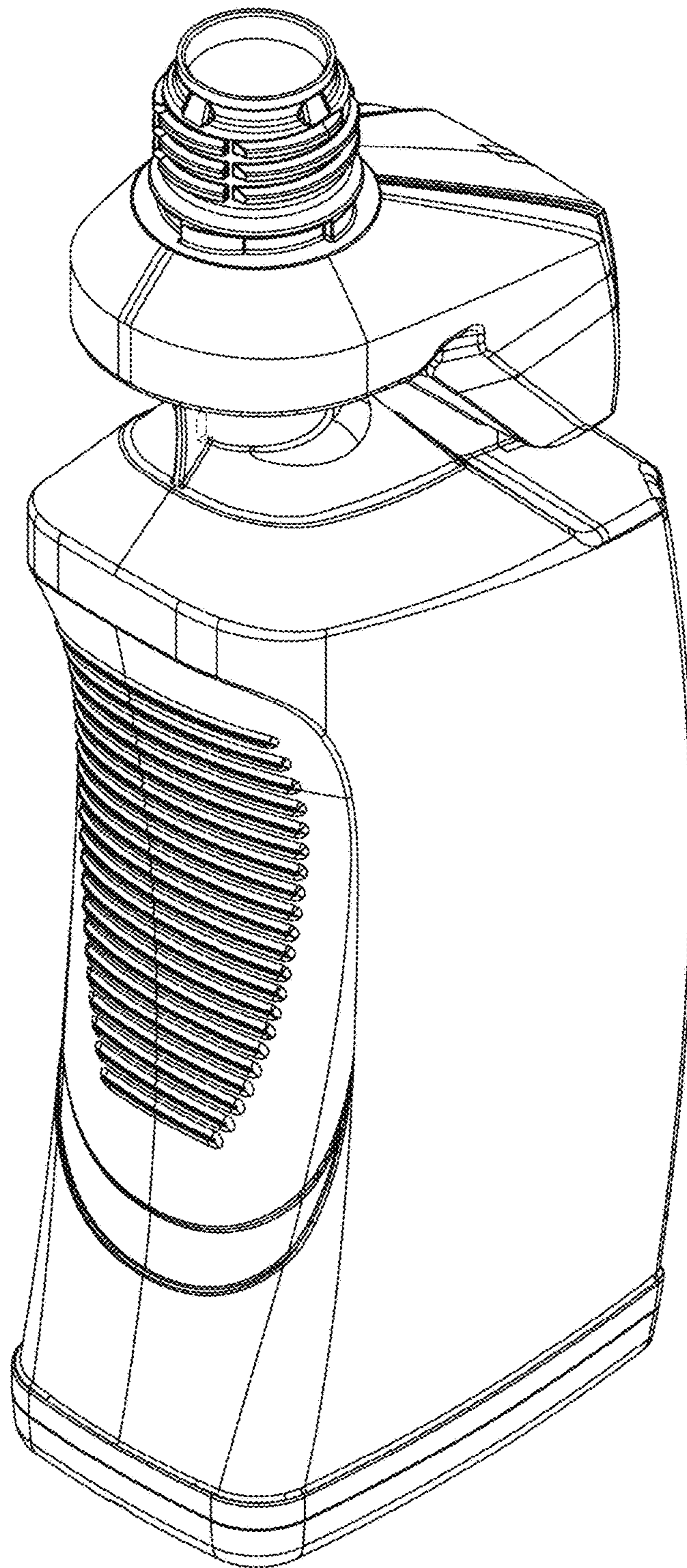
2.1



2.2



2.3



2.4