



US00D835985S

(12) **United States Design Patent** (10) **Patent No.:** **US D835,985 S**
Yessin (45) **Date of Patent:** **** Dec. 18, 2018**

(54) **STORAGE CONTAINER**

(71) Applicant: **Dart Industries Inc.**, Orlando, FL (US)

(72) Inventor: **Julie L. Yessin**, Berkeley, CA (US)

(73) Assignee: **Dart Industries Inc.**, Orlando, FL (US)

(**) Term: **15 Years**

(21) Appl. No.: **29/587,400**

(22) Filed: **Dec. 13, 2016**

(51) **LOC (11) Cl.** **09-03**

(52) **U.S. Cl.**
USPC **D9/425**

(58) **Field of Classification Search**

USPC D7/538-542, 602, 608, 629; D9/414,
D9/420, 424-426, 429, 432, 761;
(Continued)

(56) **References Cited**

U.S. PATENT DOCUMENTS

D470,018 S 2/2003 Claypool
D488,352 S * 4/2004 Tisdale D7/586
(Continued)

FOREIGN PATENT DOCUMENTS

DE 40002074 8/2000
JP D1475764 7/2013

Primary Examiner — Derrick E Holland

Assistant Examiner — Janice Patyk

(74) *Attorney, Agent, or Firm* — Taylor J. Ross

(57) **CLAIM**

The ornamental design for a storage container, as shown and described.

DESCRIPTION

This application is related to co-pending Ser. No. 29/587, 401, filed Dec. 13, 2016, which is incorporated herein by reference.

FIG. 1 is a top, front and left side perspective view of the first embodiment of a storage container showing my new design;

FIG. 2 is a bottom, front and right side perspective view thereof;

FIG. 3 is a top plan view thereof;

FIG. 4 is a bottom plan view thereof;

FIG. 5 is a front elevation view thereof;

FIG. 6 is a rear elevation view thereof;

FIG. 7 is a left side elevation view thereof;

FIG. 8 is a right side elevation view thereof;

FIG. 9 is a cross-sectional view thereof, taken along line 9-9 of FIG. 3;

FIG. 10 is a cross-sectional view thereof, taken along line 10-10 of FIG. 3;

FIG. 11 is a top, front and left side perspective view of the second embodiment of a storage container showing my new design;

FIG. 12 is a bottom, front and right side perspective view thereof;

FIG. 13 is a top plan view thereof;

FIG. 14 is a bottom plan view thereof;

FIG. 15 is a front elevation view thereof;

FIG. 16 is a rear elevation view thereof;

FIG. 17 is a left side elevation view thereof;

FIG. 18 is a right side elevation view thereof;

FIG. 19 is a cross-sectional view thereof, taken along line 19-19 of FIG. 13;

FIG. 20 is a cross-sectional view thereof, taken along line 20-20 of FIG. 13;

FIG. 21 is a top, front and left side perspective view of the third embodiment of a storage container showing my new design;

FIG. 22 is a bottom, front and right side perspective view thereof;

FIG. 23 is a top plan view thereof;

FIG. 24 is a bottom plan view thereof;

FIG. 25 is a front elevation view thereof;

FIG. 26 is a rear elevation view thereof;

FIG. 27 is a left side elevation view thereof;

FIG. 28 is a right side elevation view thereof;

FIG. 29 is a cross-sectional view thereof, taken along line 29-29 of FIG. 23;

(Continued)

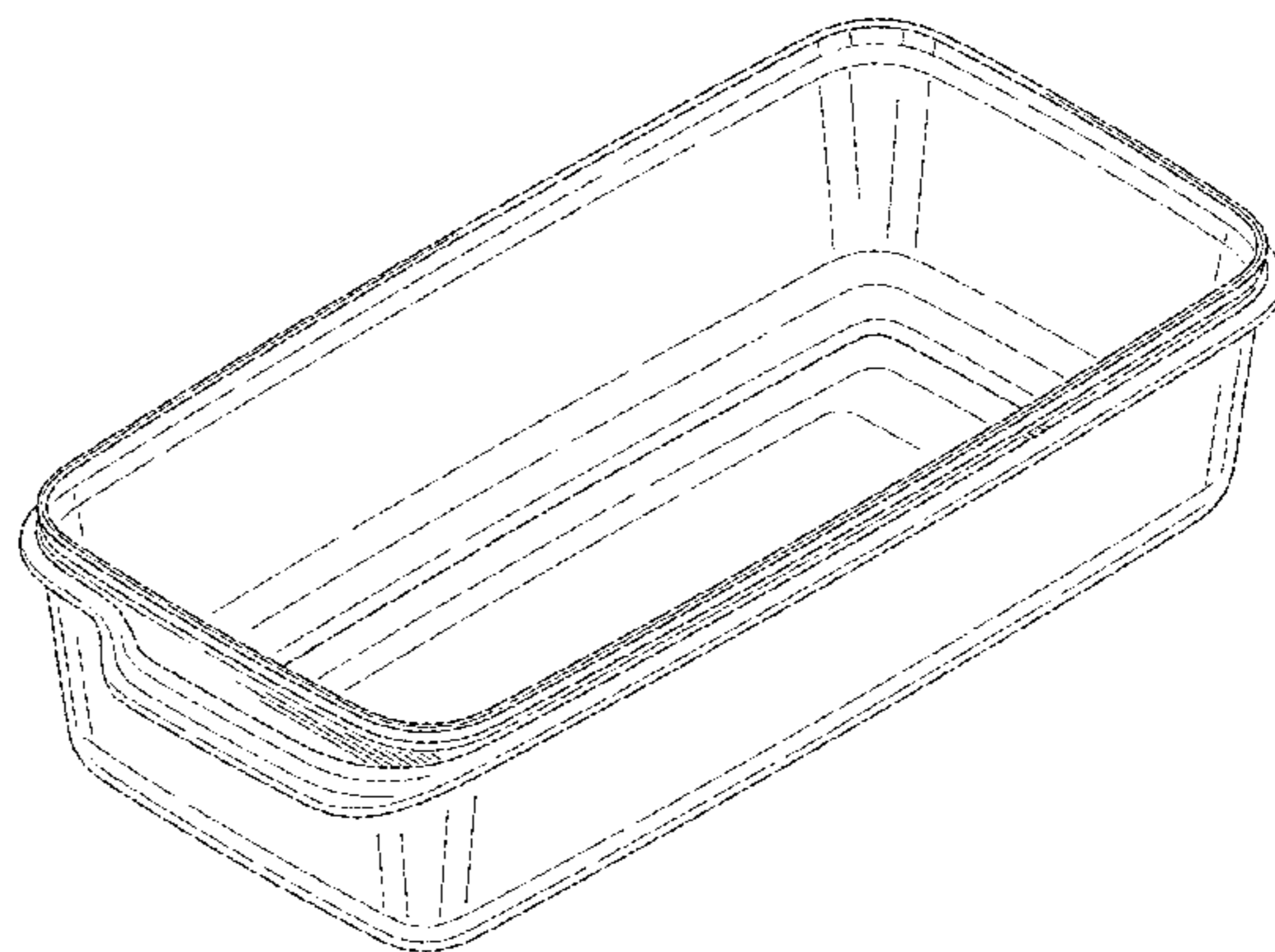
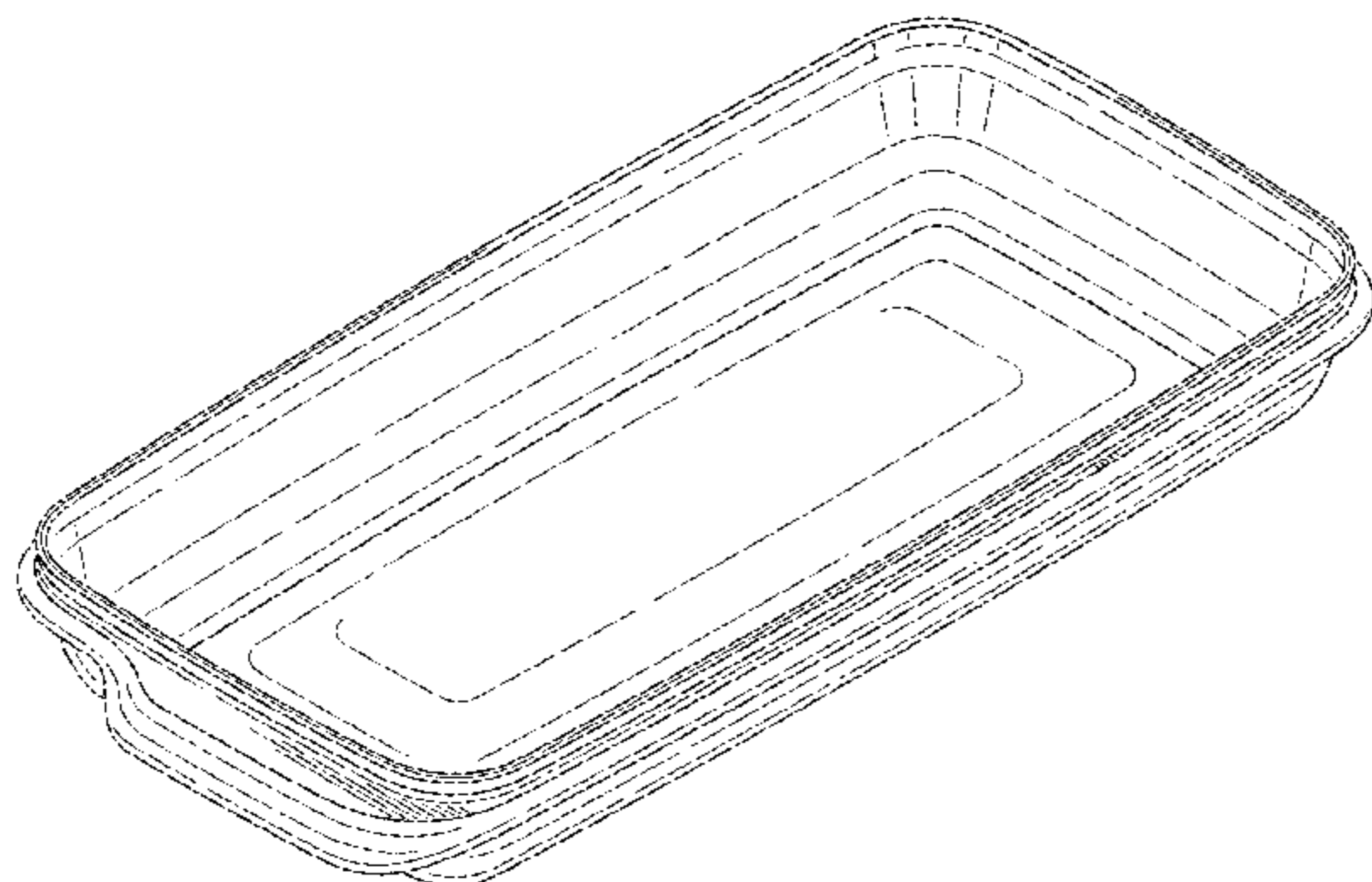


FIG. 30 is a cross-sectional view thereof, taken along line 30-30 of FIG. 23;
 FIG. 31 is a top, front and left side perspective view of the fourth embodiment of a storage container showing my new design;
 FIG. 32 is a bottom, front and right side perspective view thereof;
 FIG. 33 is a top plan view thereof;
 FIG. 34 is a bottom plan view thereof;
 FIG. 35 is a front elevation view thereof;
 FIG. 36 is a rear elevation view thereof;
 FIG. 37 is a left side elevation view thereof;
 FIG. 38 is a right side elevation view thereof;
 FIG. 39 is a cross-sectional view thereof, taken along line 39-39 of FIG. 33; and,
 FIG. 40 is a cross-sectional view thereof, taken along line 40-40 of FIG. 33.

1 Claim, 19 Drawing Sheets

(58) **Field of Classification Search**

USPC 206/501-509; 220/781, 791, 793,
 220/811-813, 835, 839

CPC B65D 1/24; B65D 25/04; B65D 43/03;
 B65D 43/16; B65D 43/0212

See application file for complete search history.

(56)

References Cited

U.S. PATENT DOCUMENTS

D540,122	S	*	4/2007	Wasserman	D7/584
D555,476	S	*	11/2007	Nielsen	D9/425
D655,578	S	*	3/2012	Samartgis	D7/602
D700,480	S		3/2014	Yessin et al.		
D700,481	S		3/2014	Yessin et al.		
D700,482	S		3/2014	Yessin et al.		
D700,483	S		3/2014	Yessin et al.		
D707,120	S	*	6/2014	Tyberghein	D7/629
D717,119	S	*	11/2014	Carlson	D7/602
D717,121	S	*	11/2014	Carlson	D7/602
2007/0289963	A1	*	12/2007	Wu	B65D 21/0233 220/4.21

* cited by examiner

FIG. 1

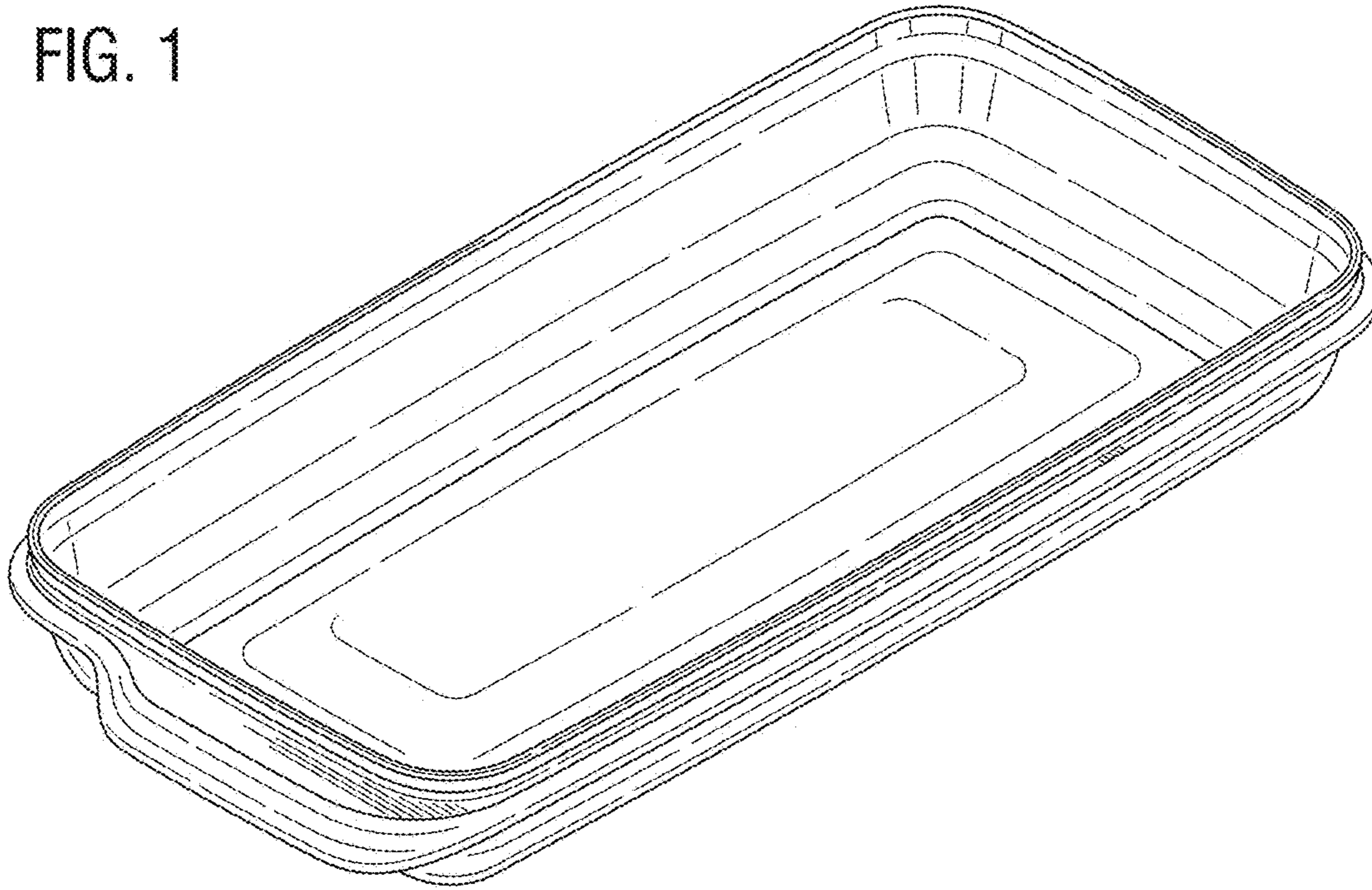
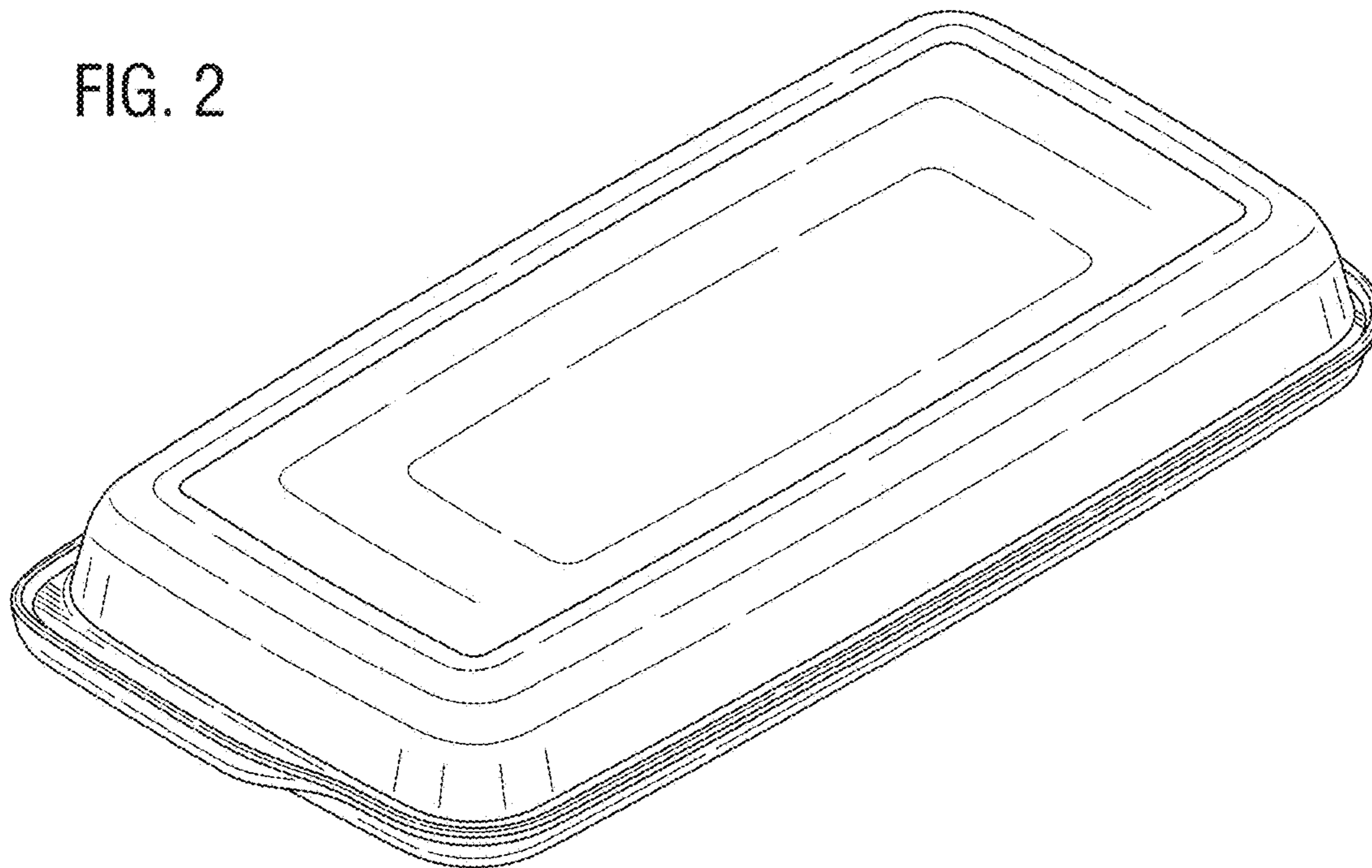


FIG. 2



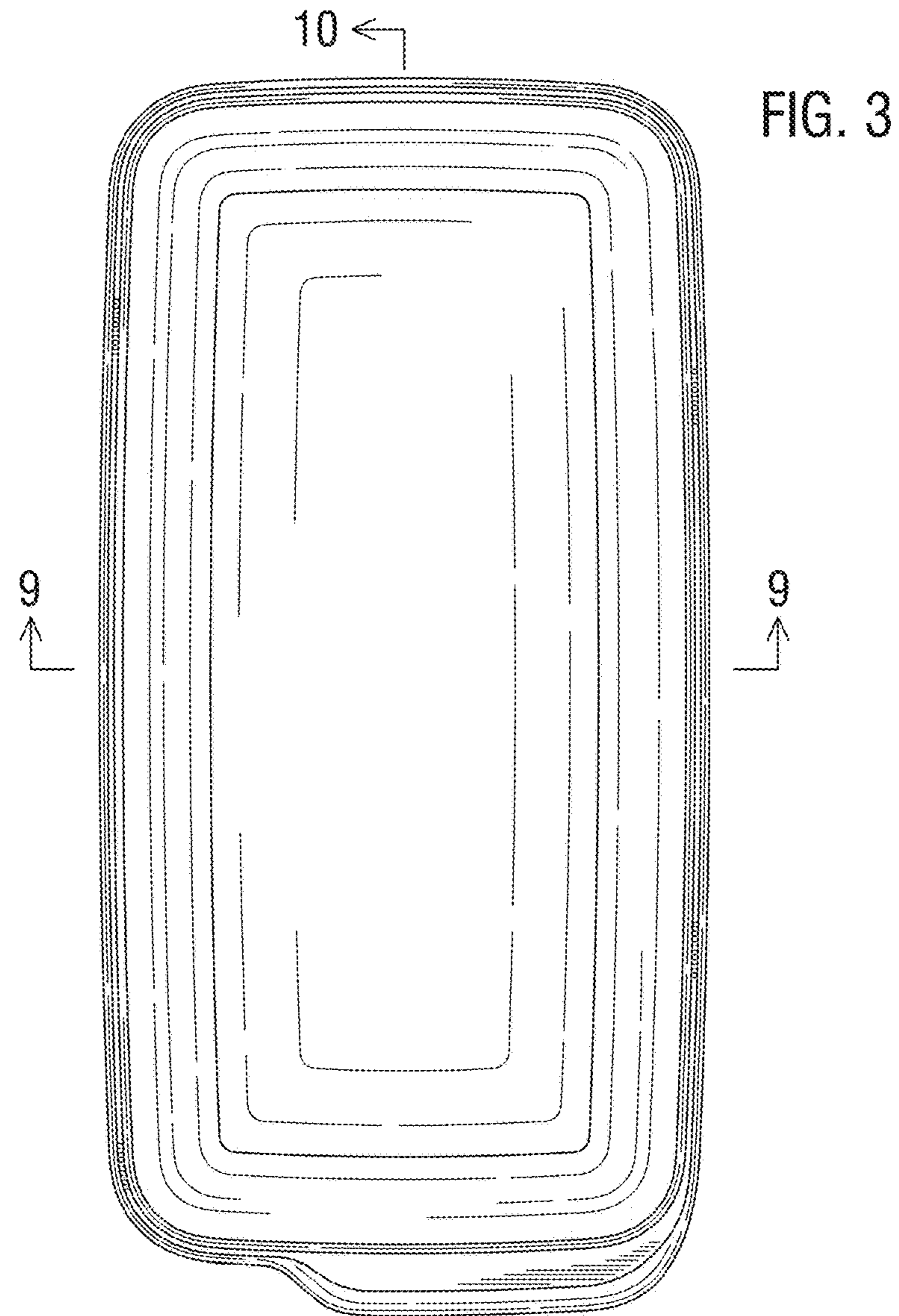


FIG. 5

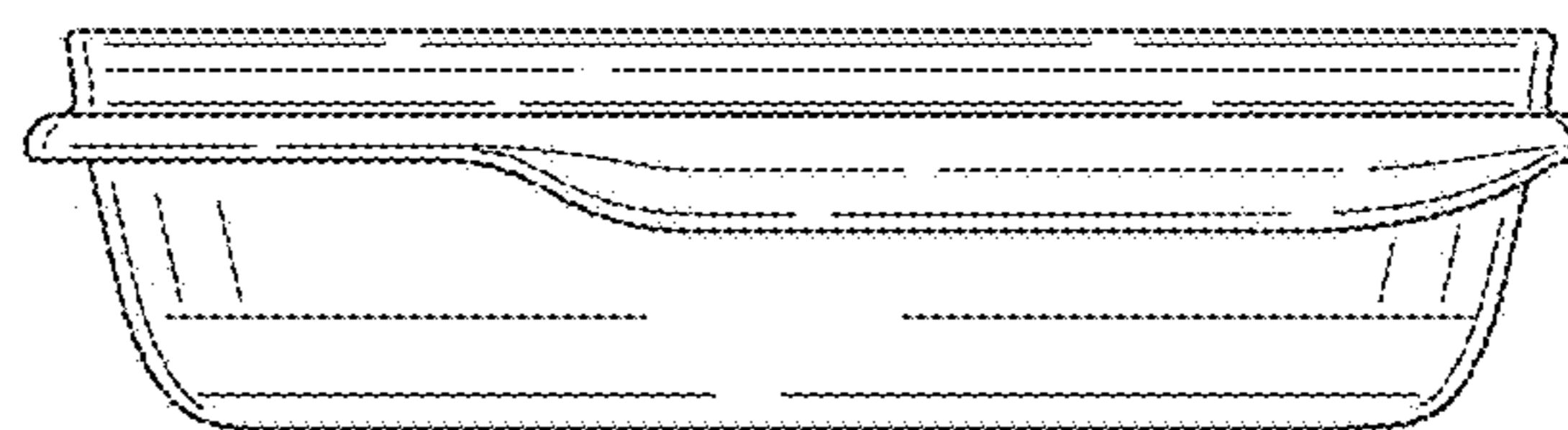
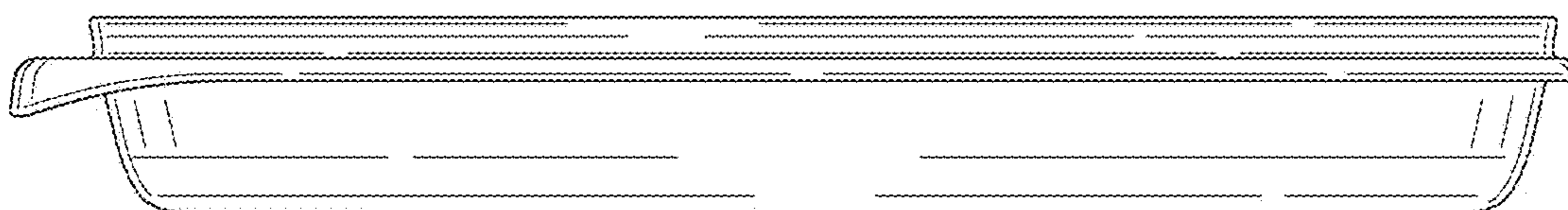


FIG. 7



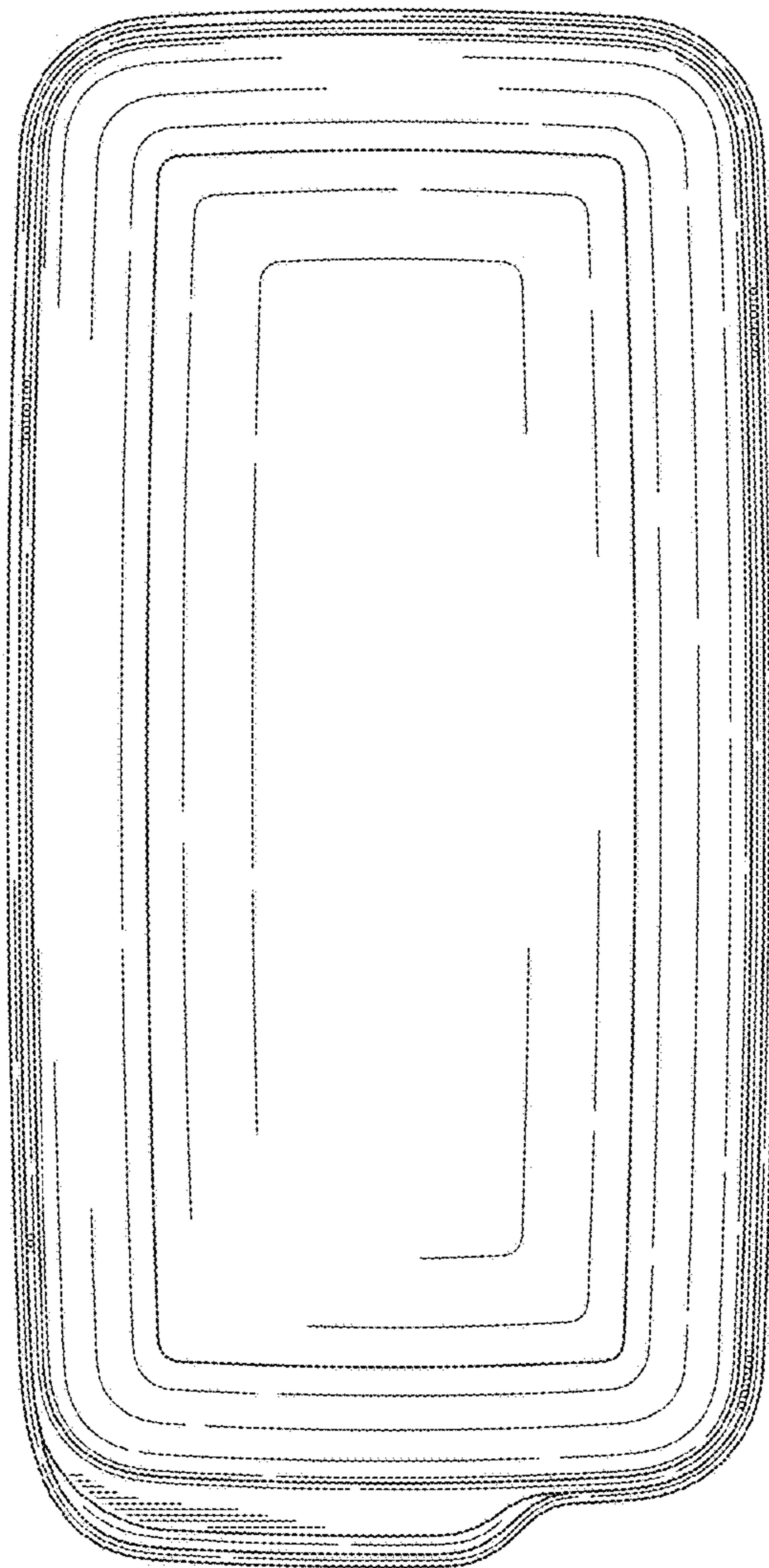


FIG. 4

FIG. 6

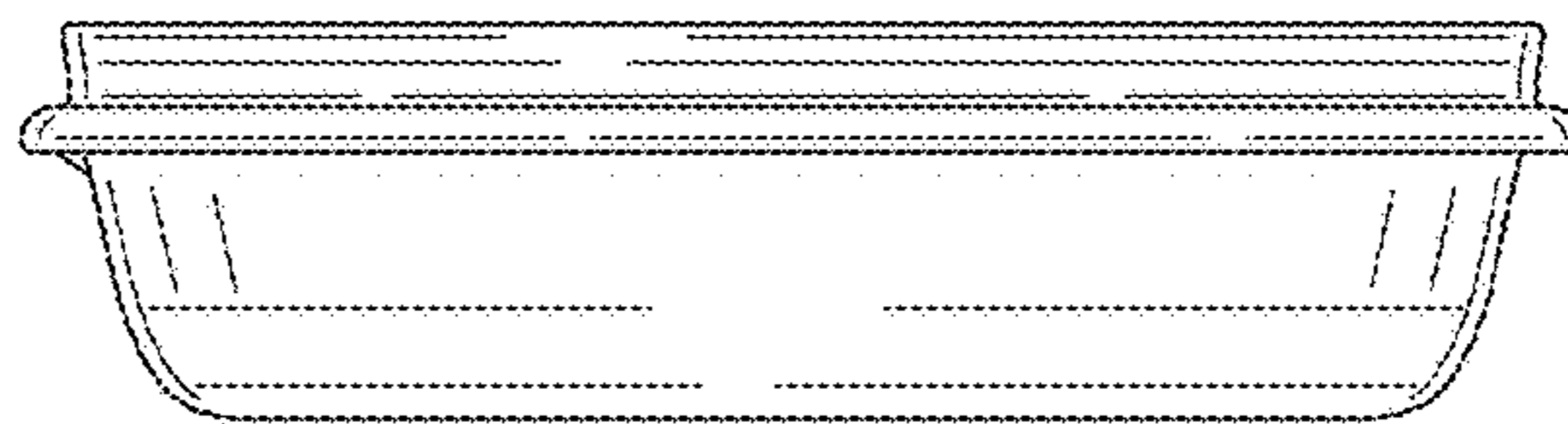


FIG. 8

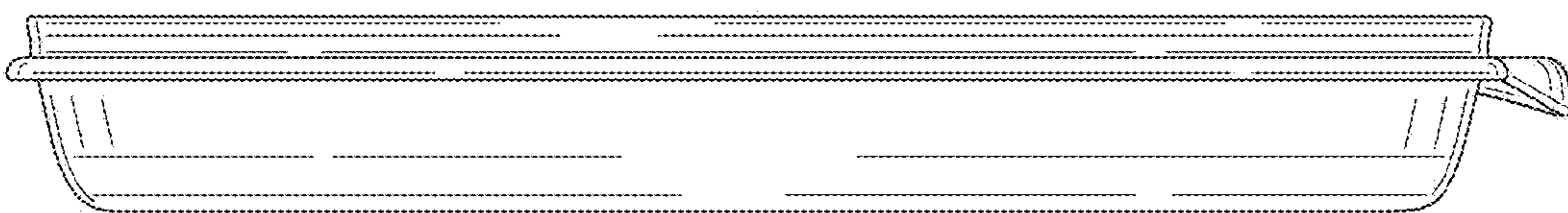


FIG. 9

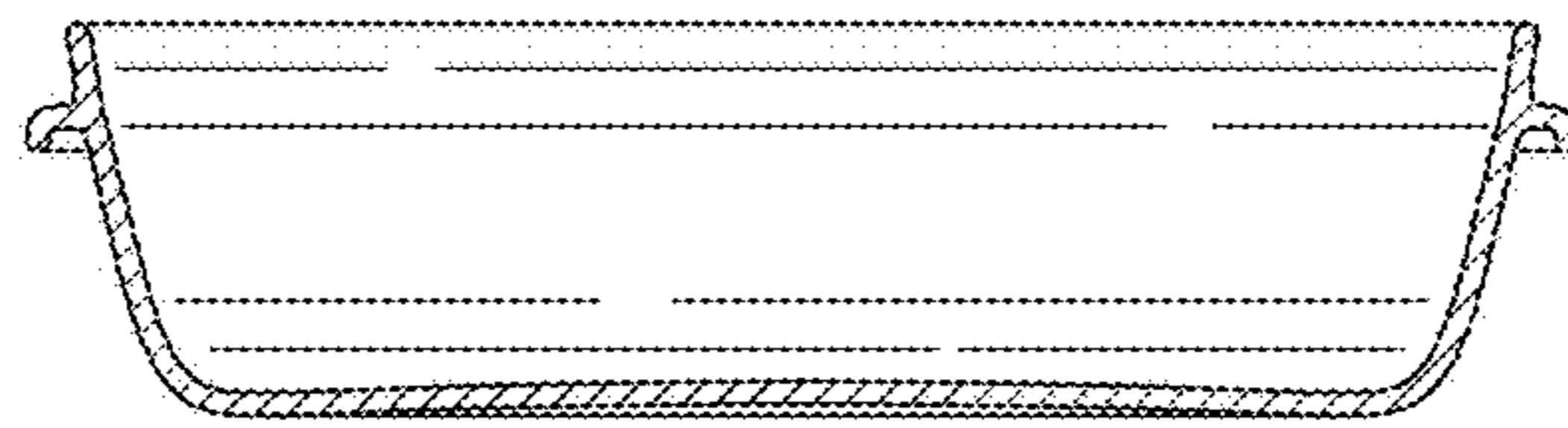


FIG. 10

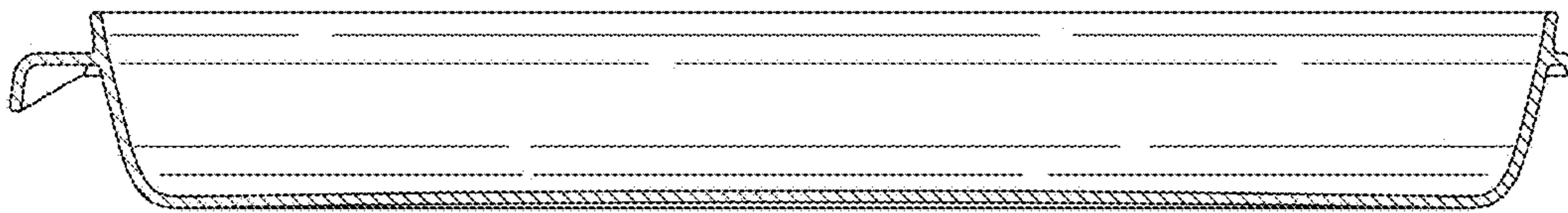


FIG. 11

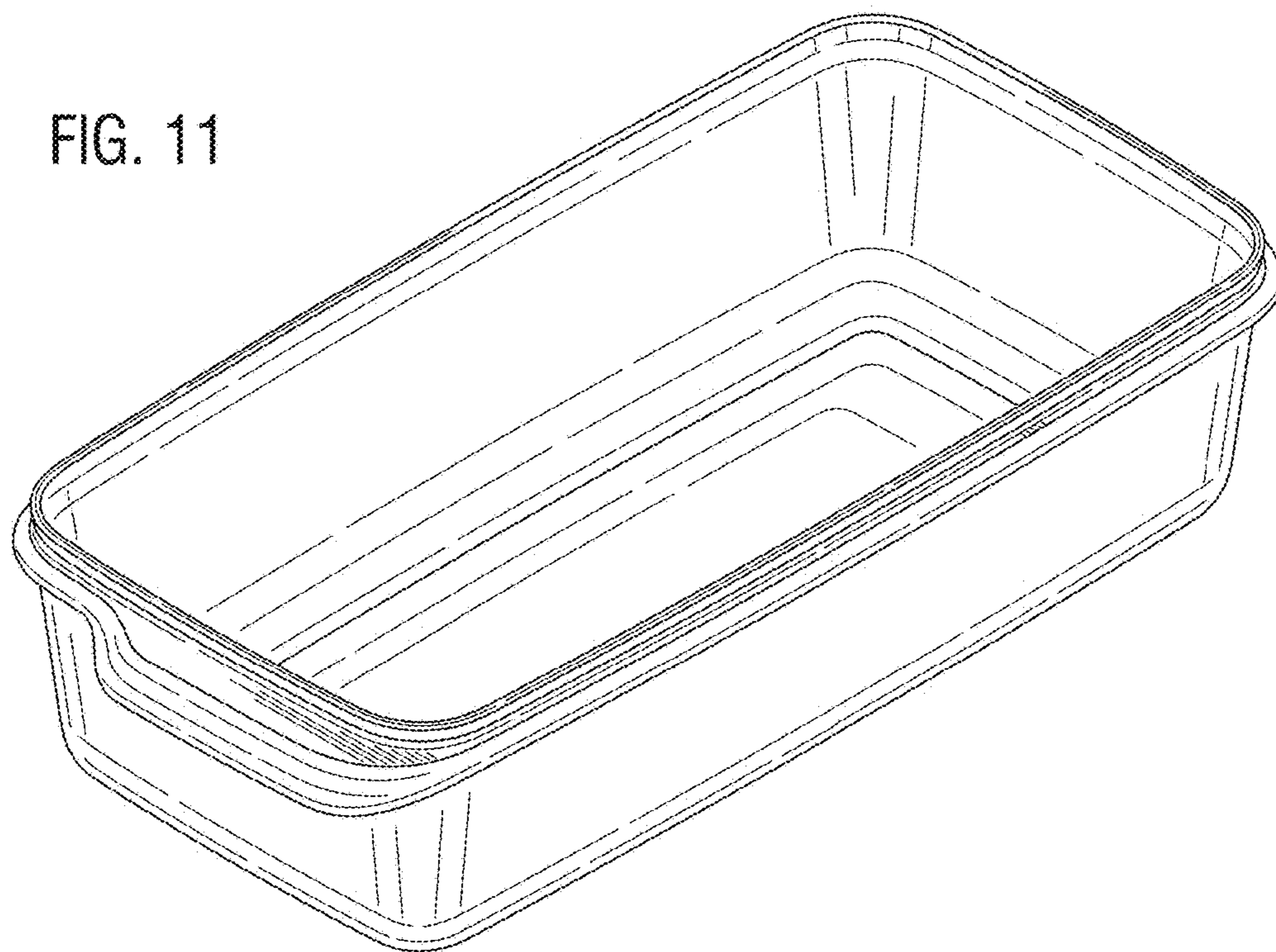


FIG. 12

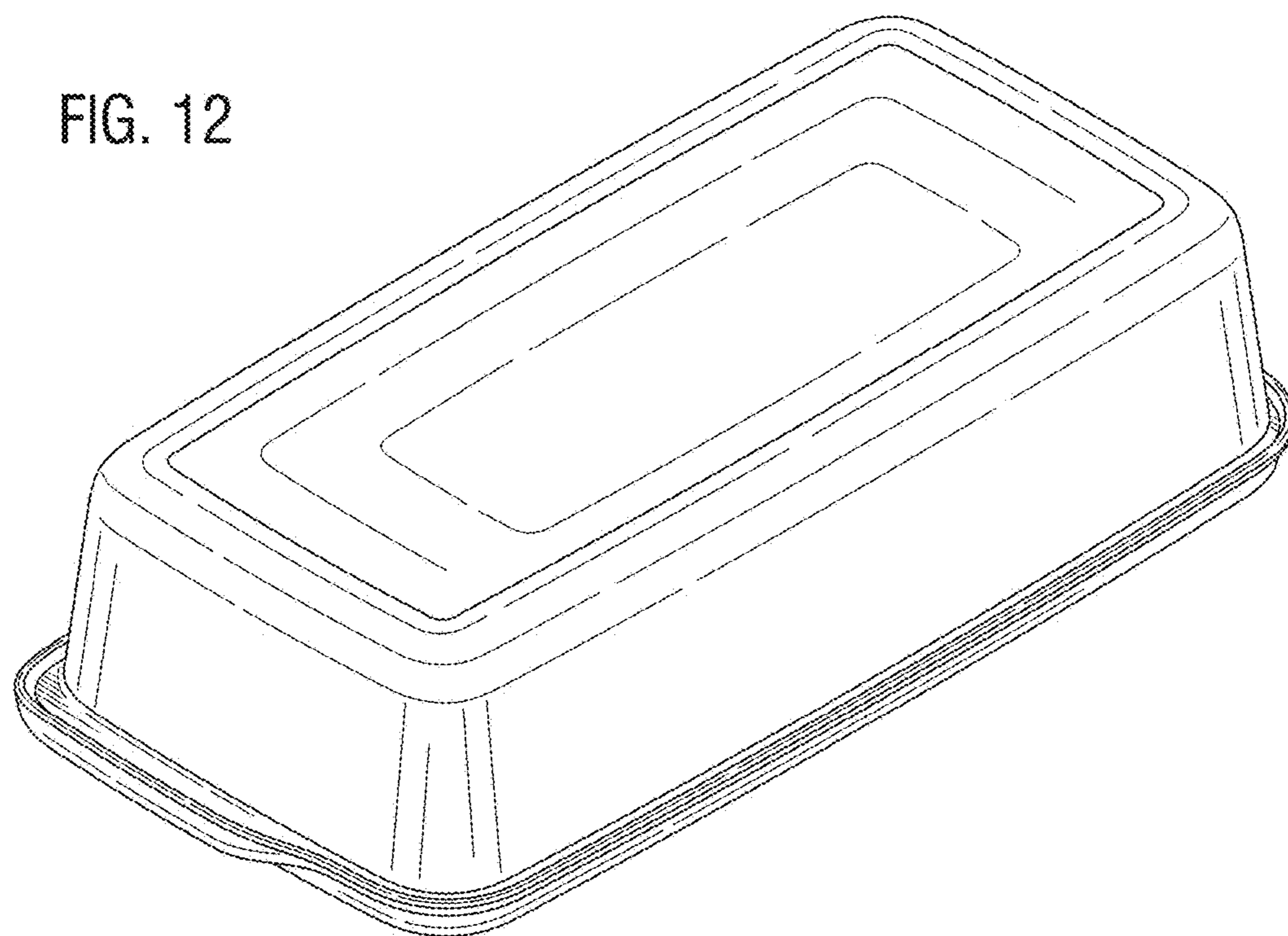


FIG. 13

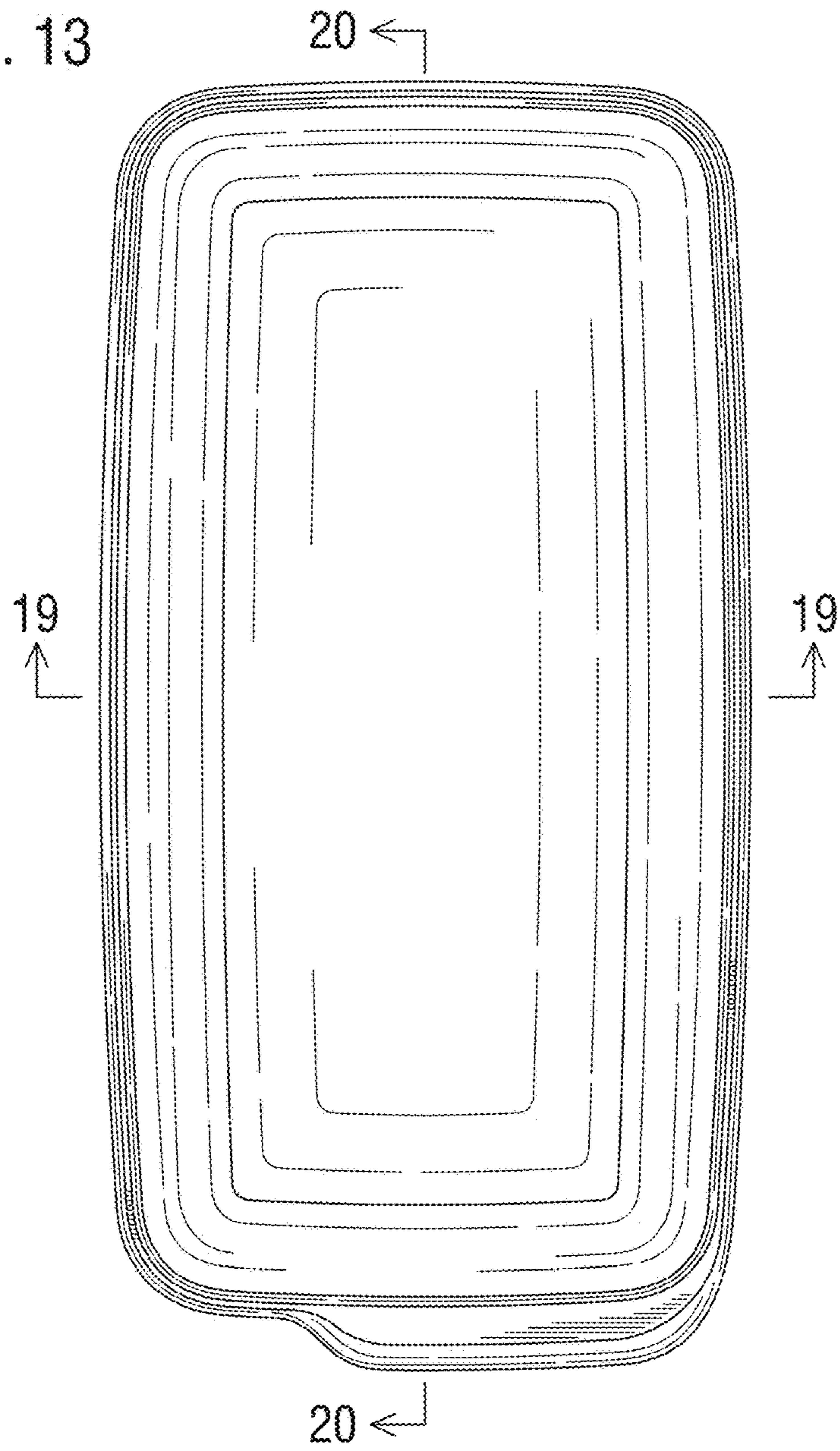


FIG. 15

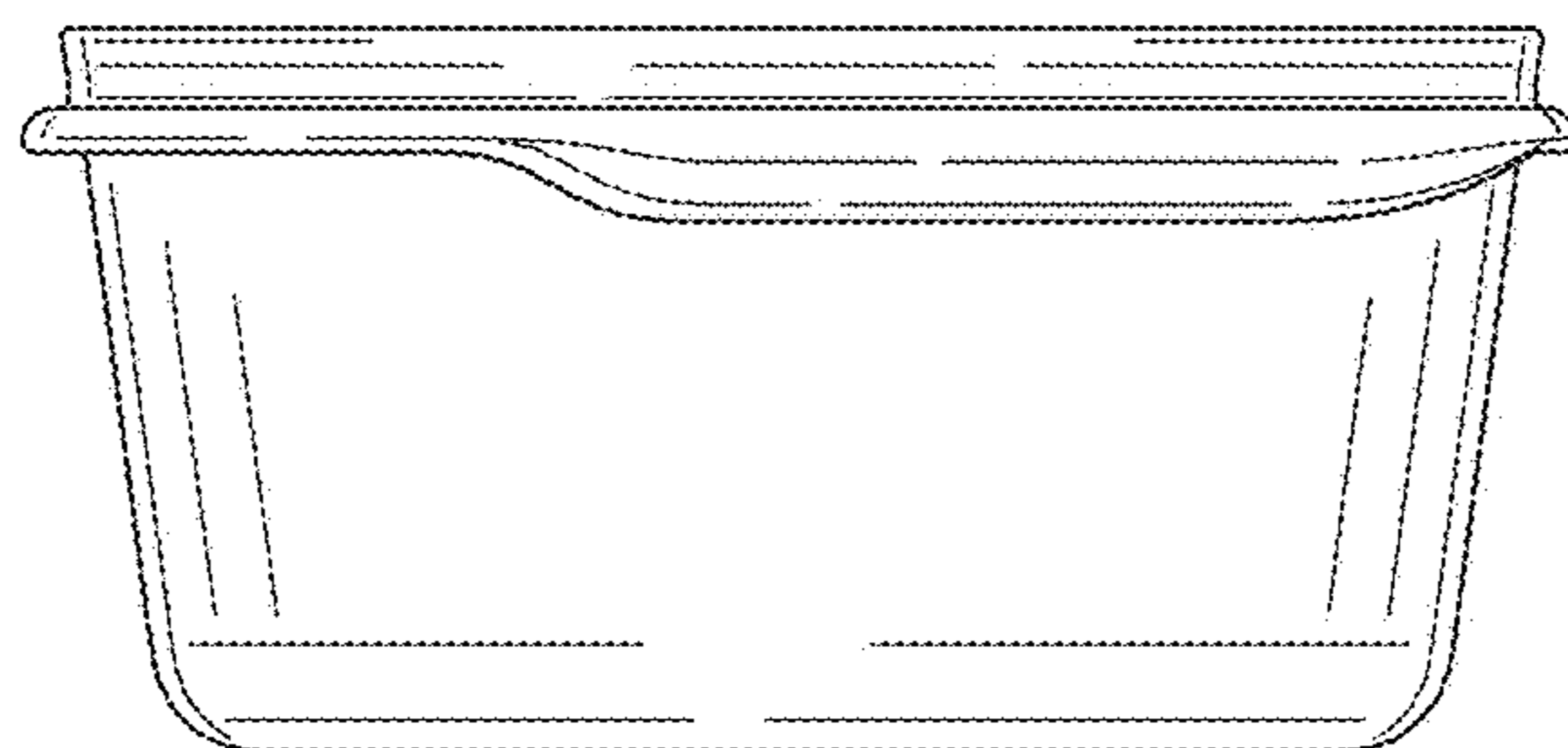


FIG. 14

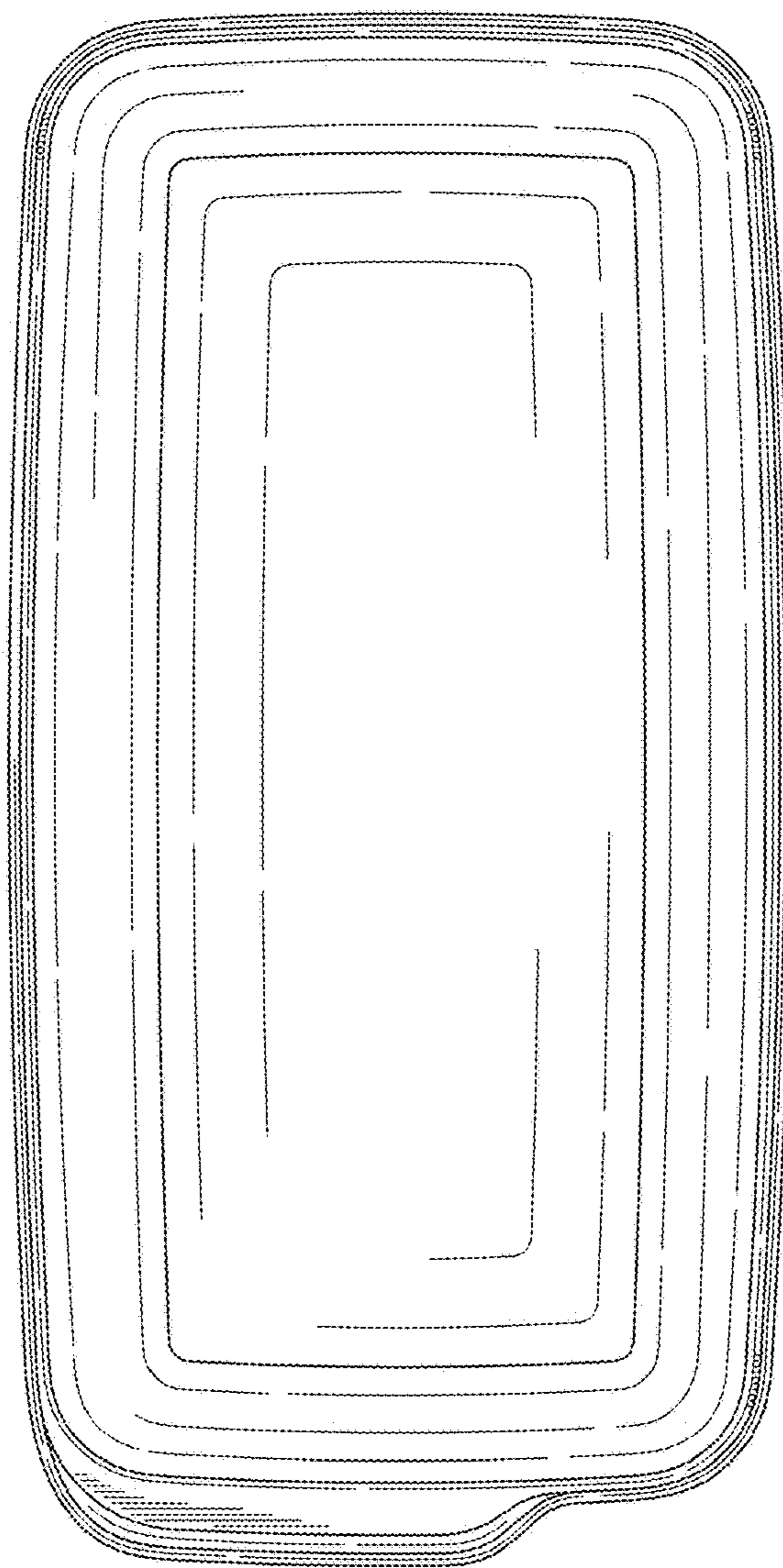


FIG. 16

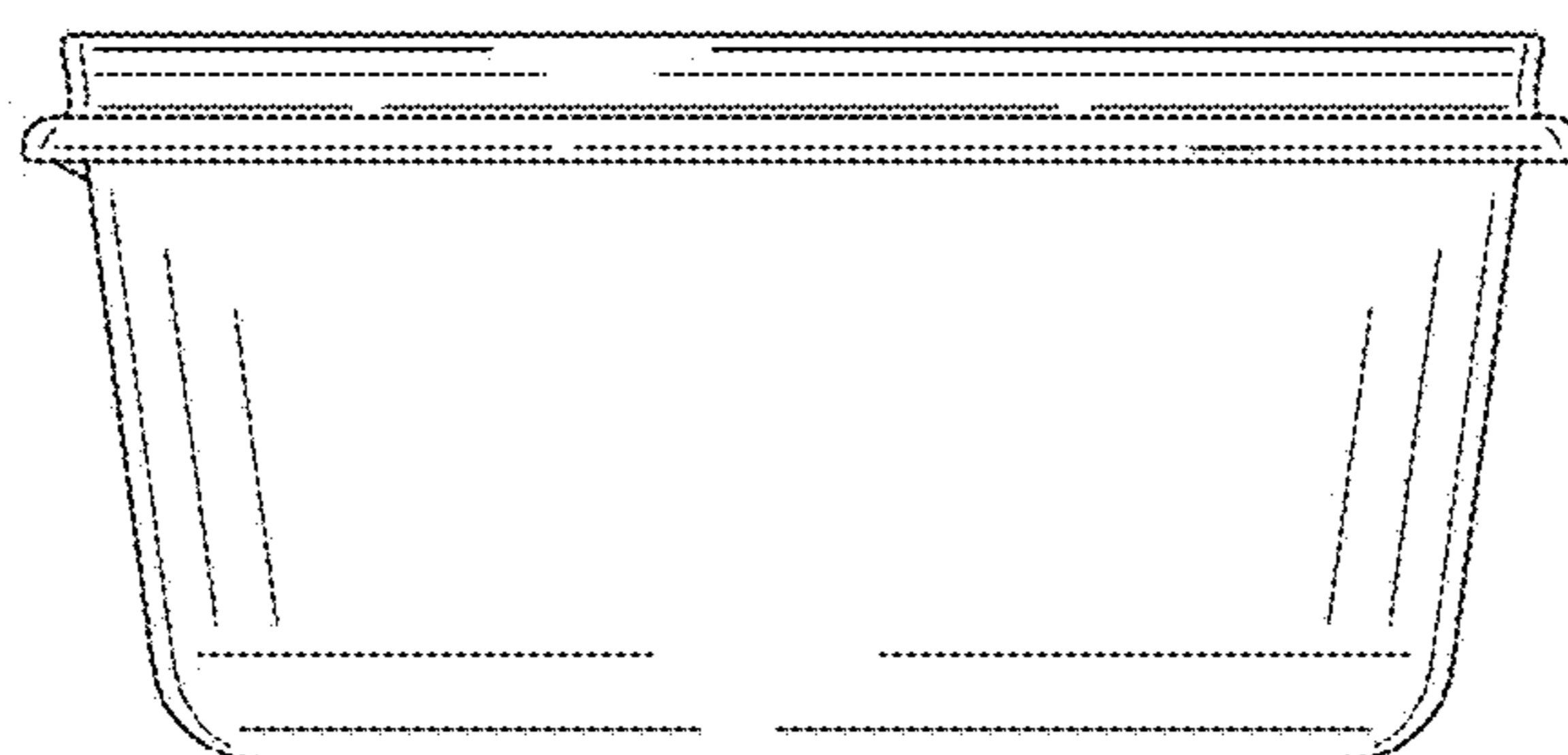


FIG. 17

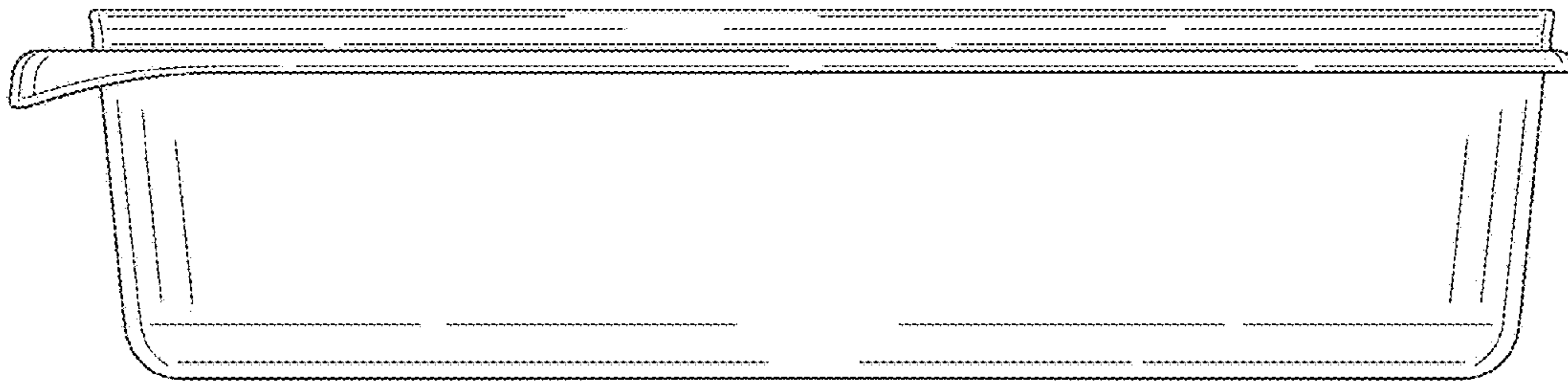


FIG. 18

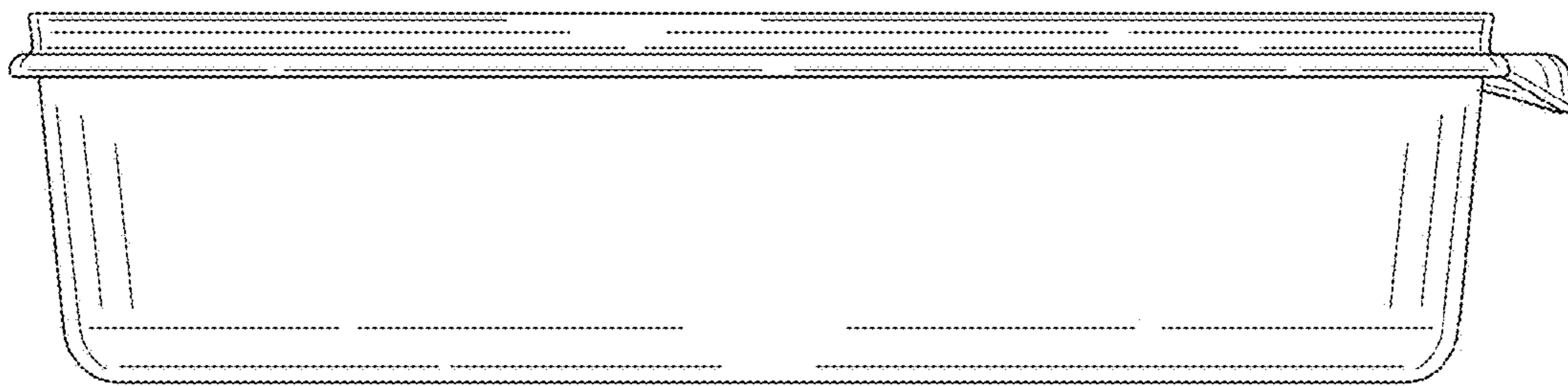


FIG. 19

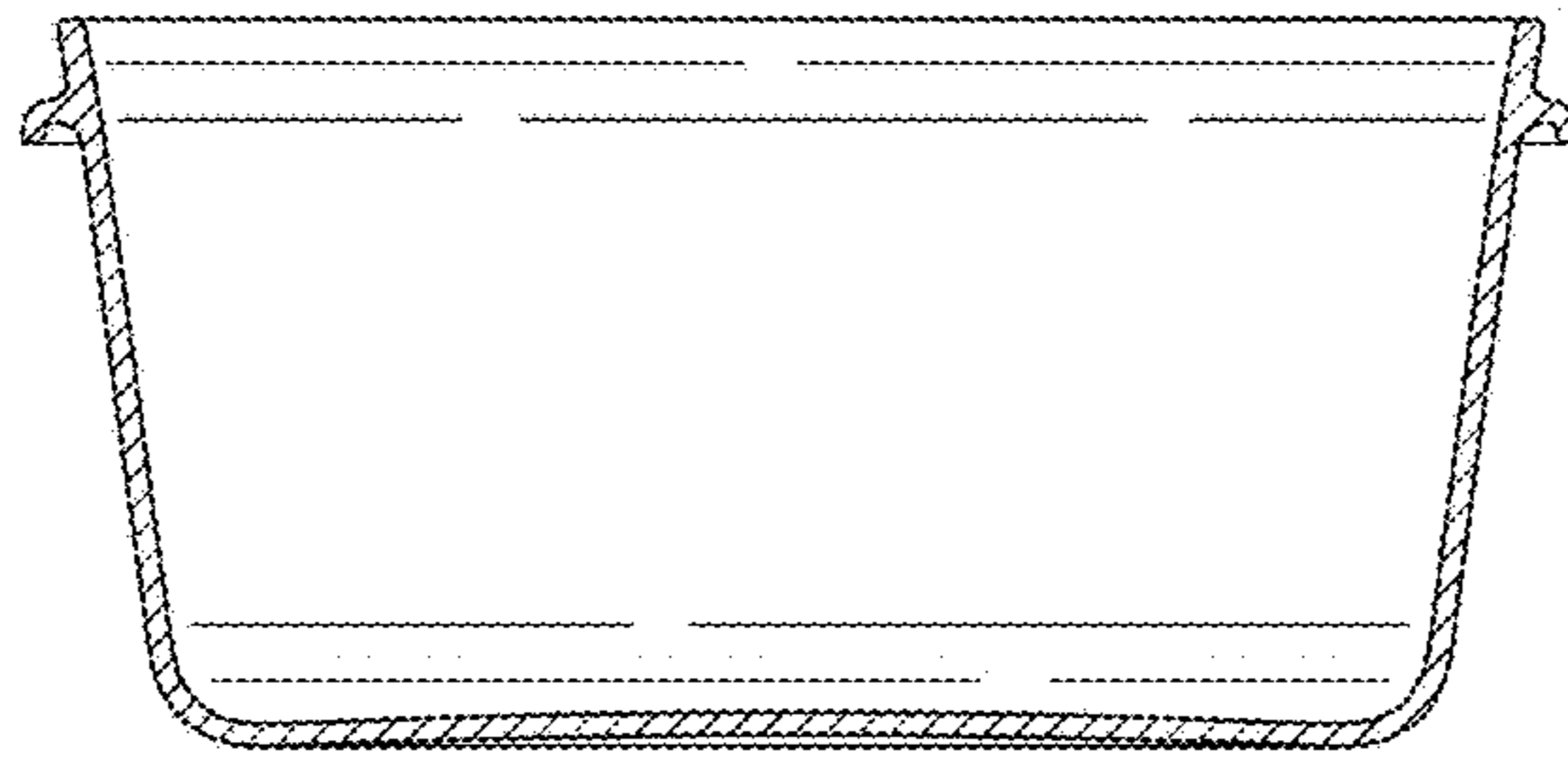


FIG. 20

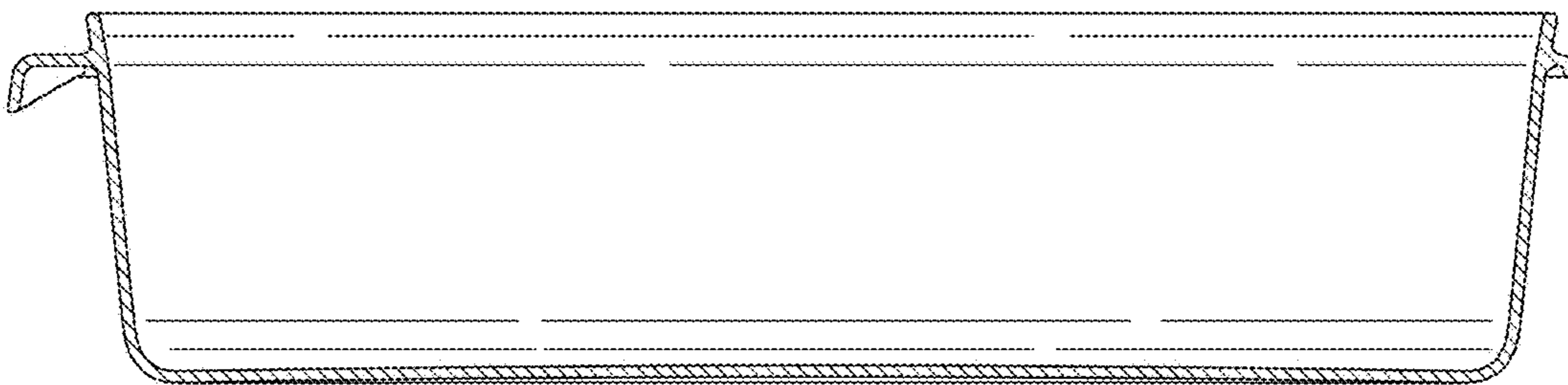


FIG. 21

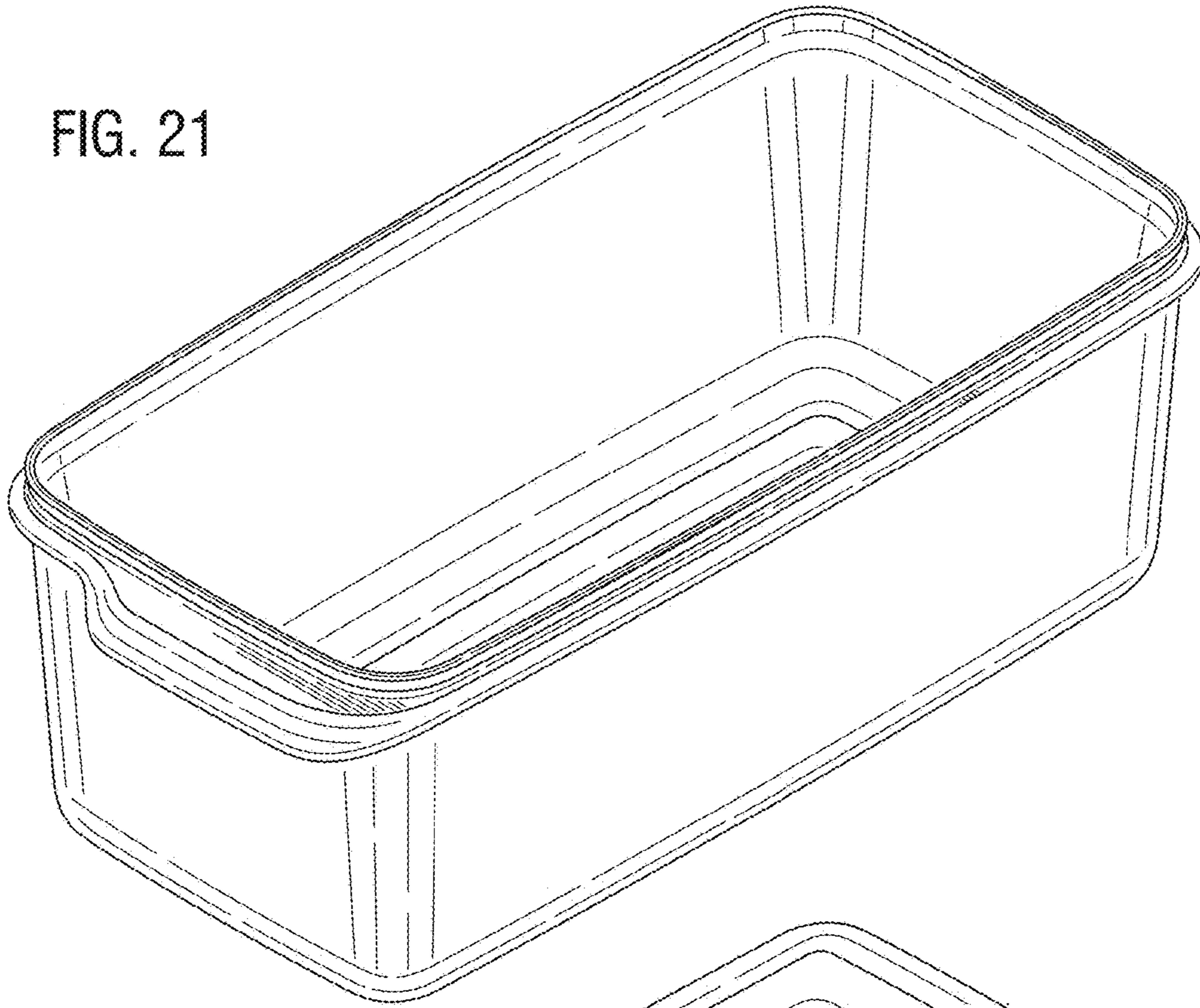


FIG. 22

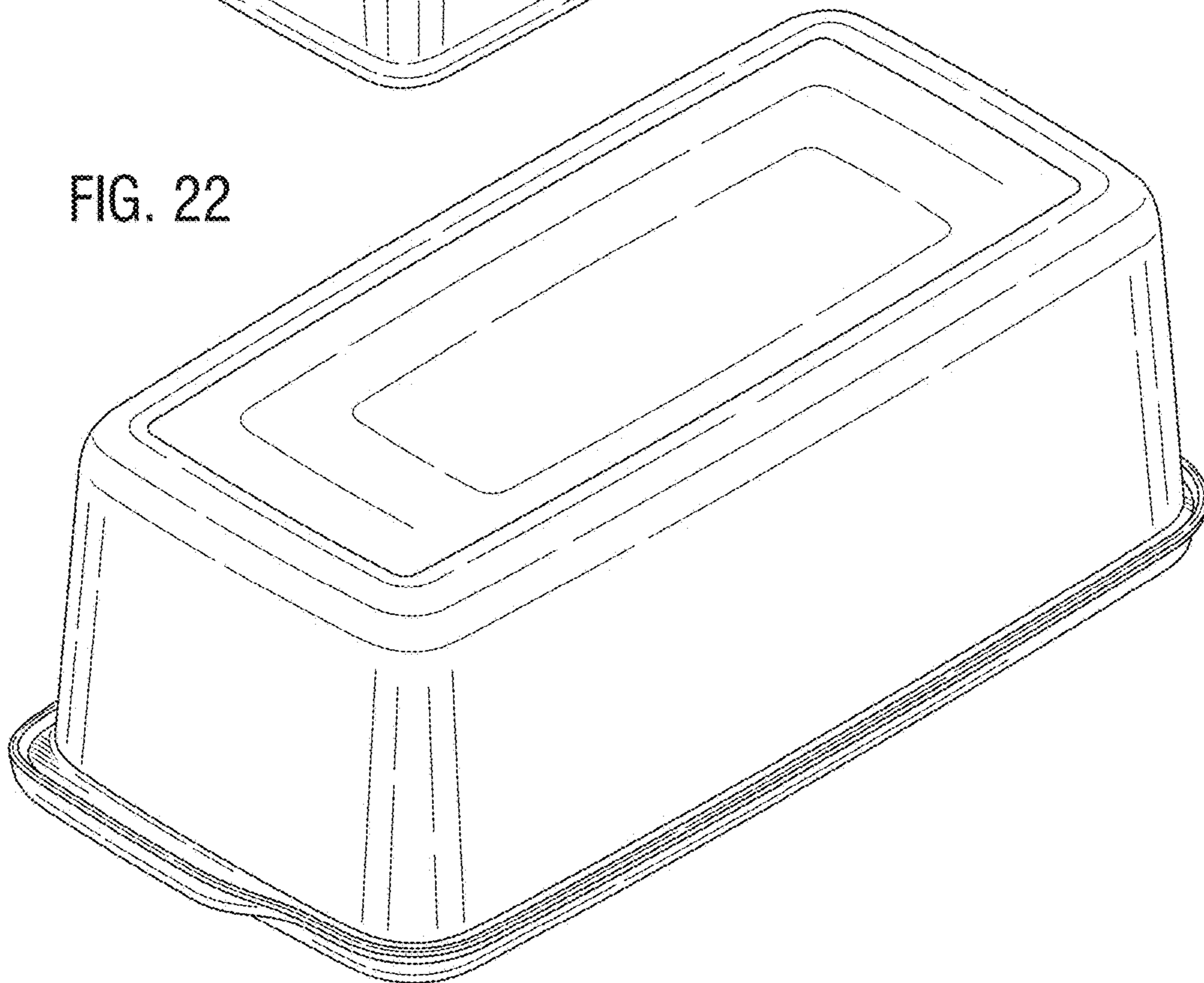


FIG. 23

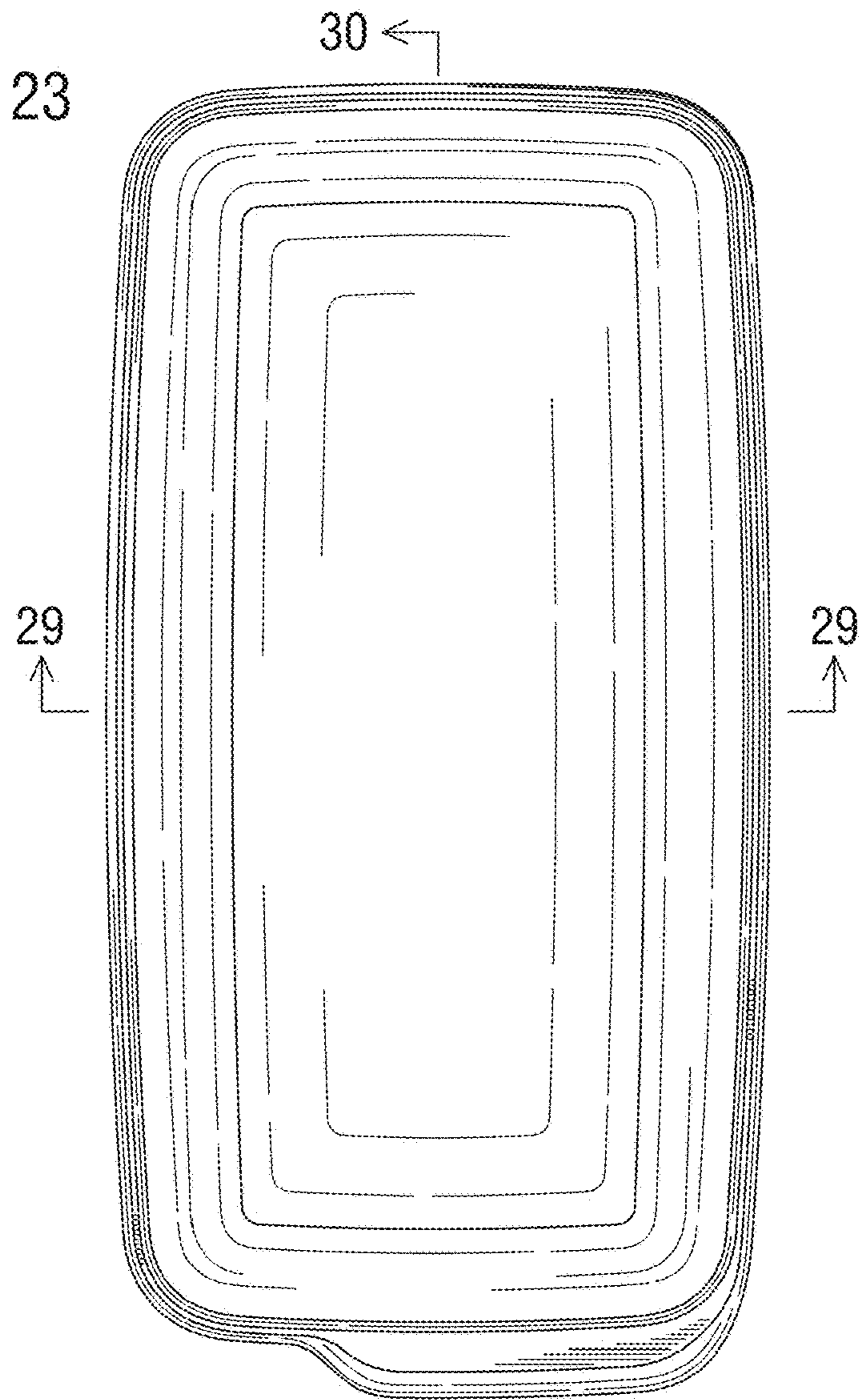


FIG. 25

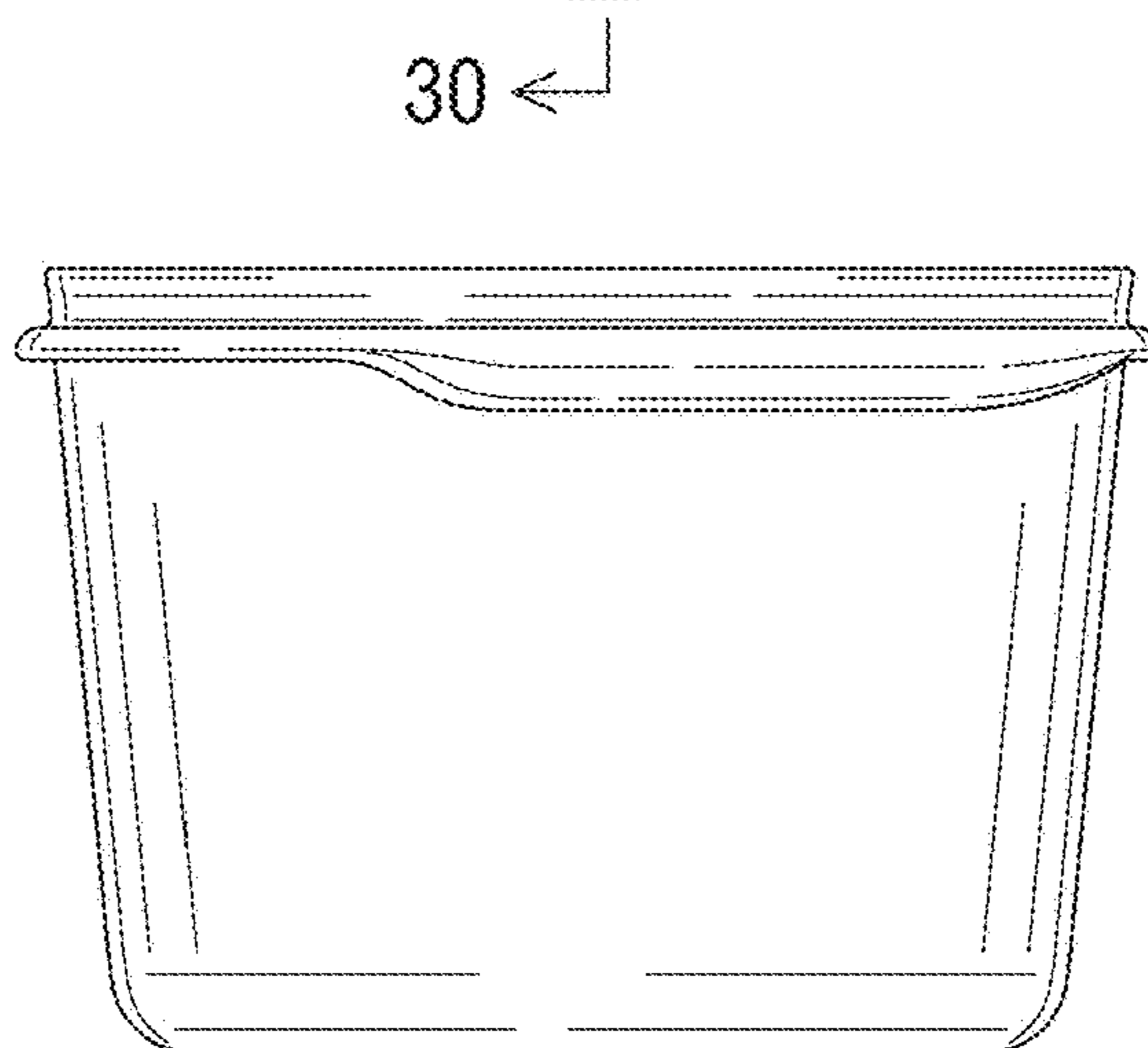


FIG. 24

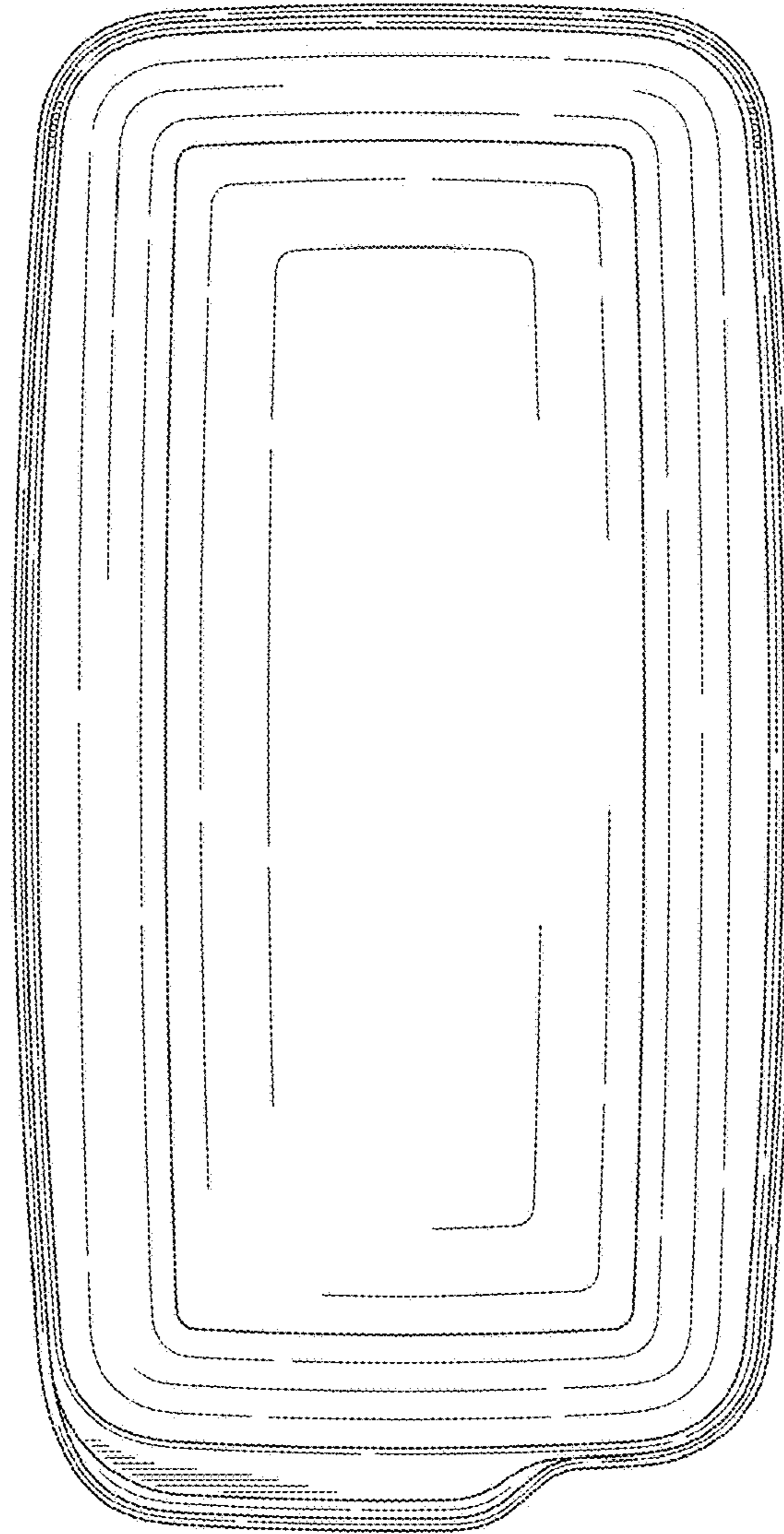


FIG. 26

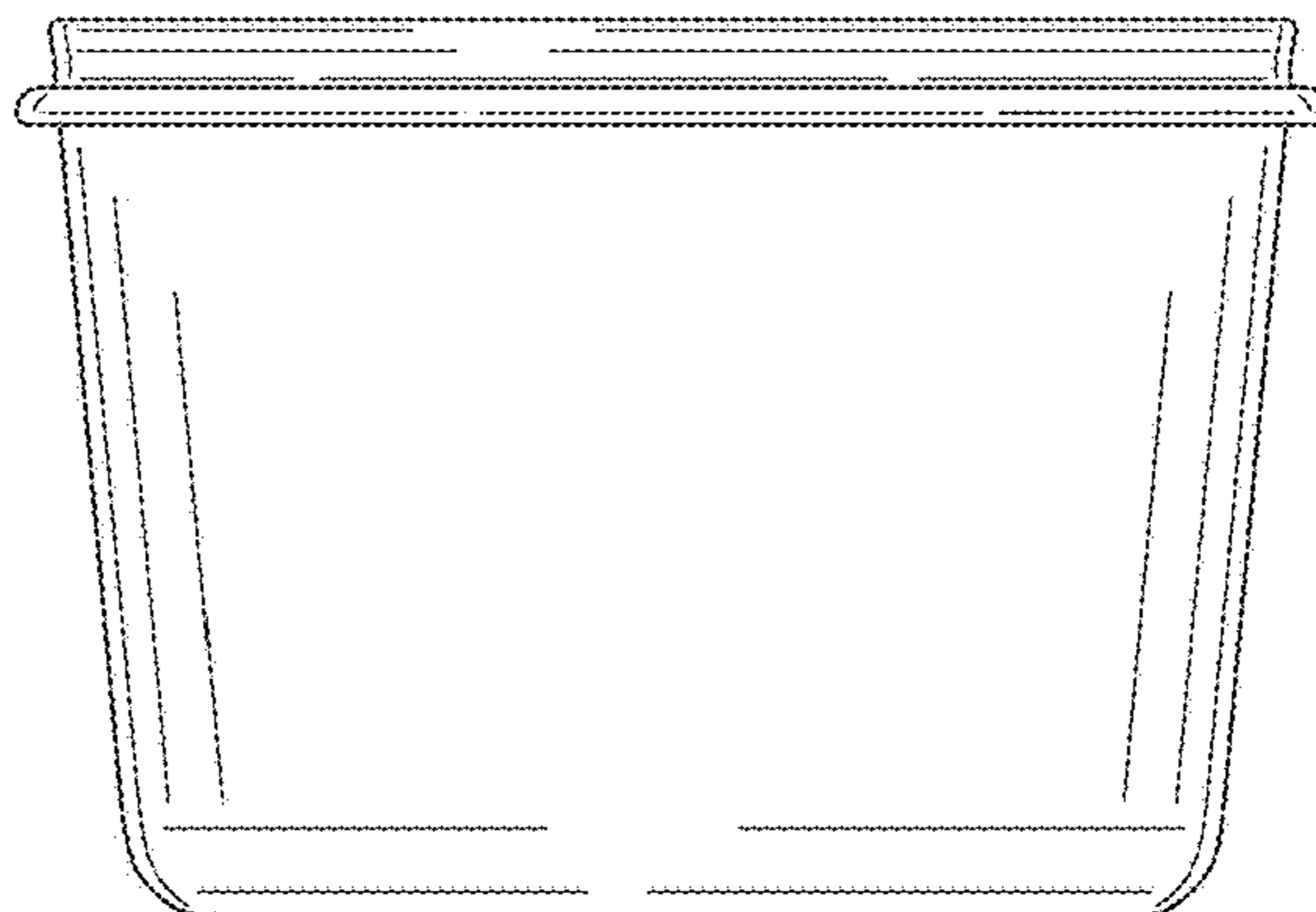


FIG. 27

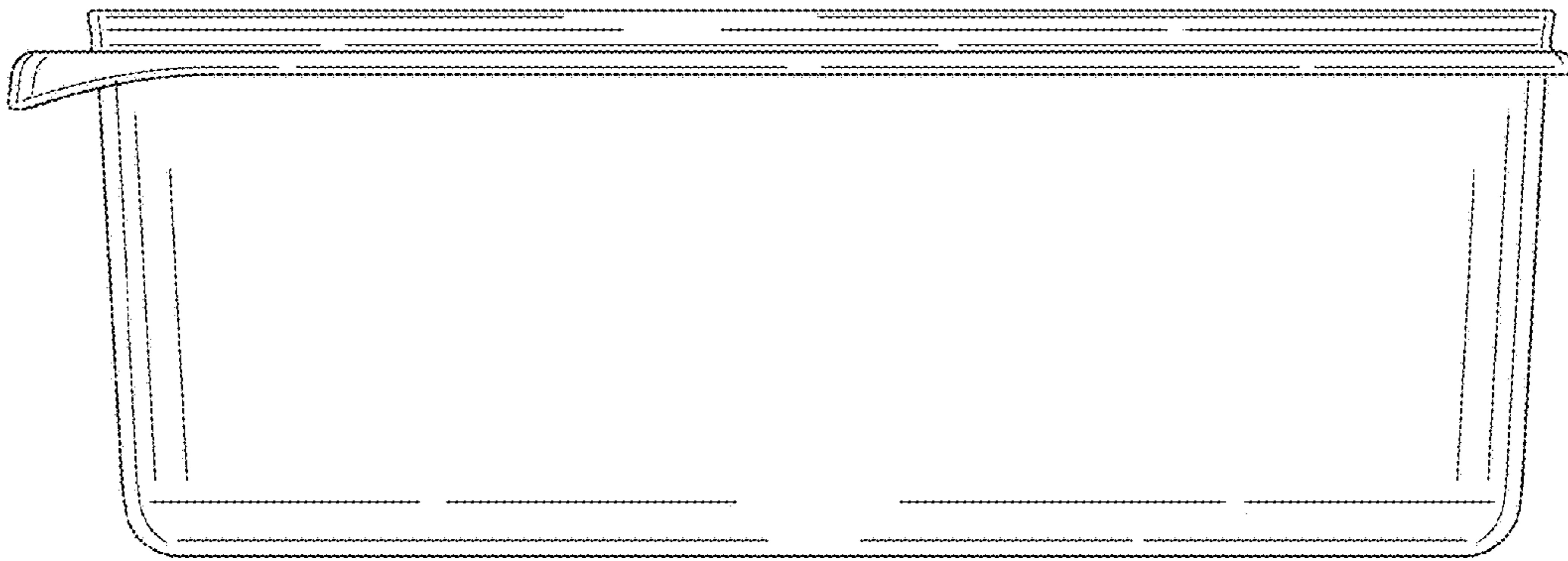


FIG. 28

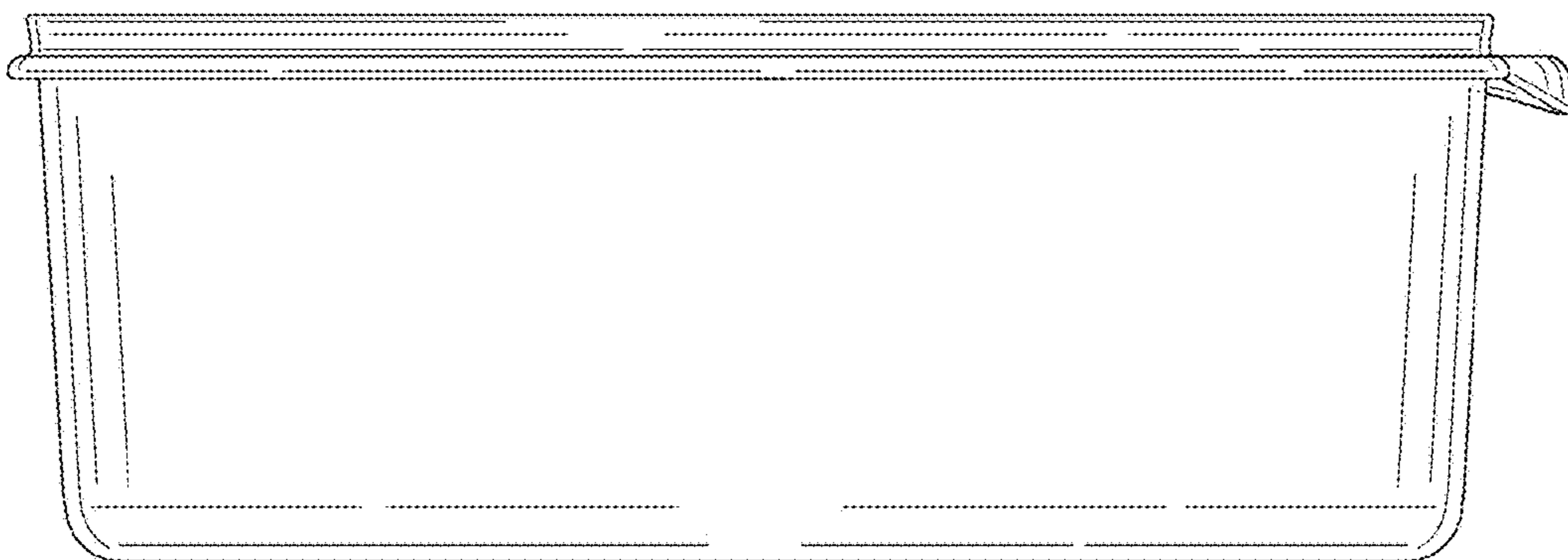


FIG. 29

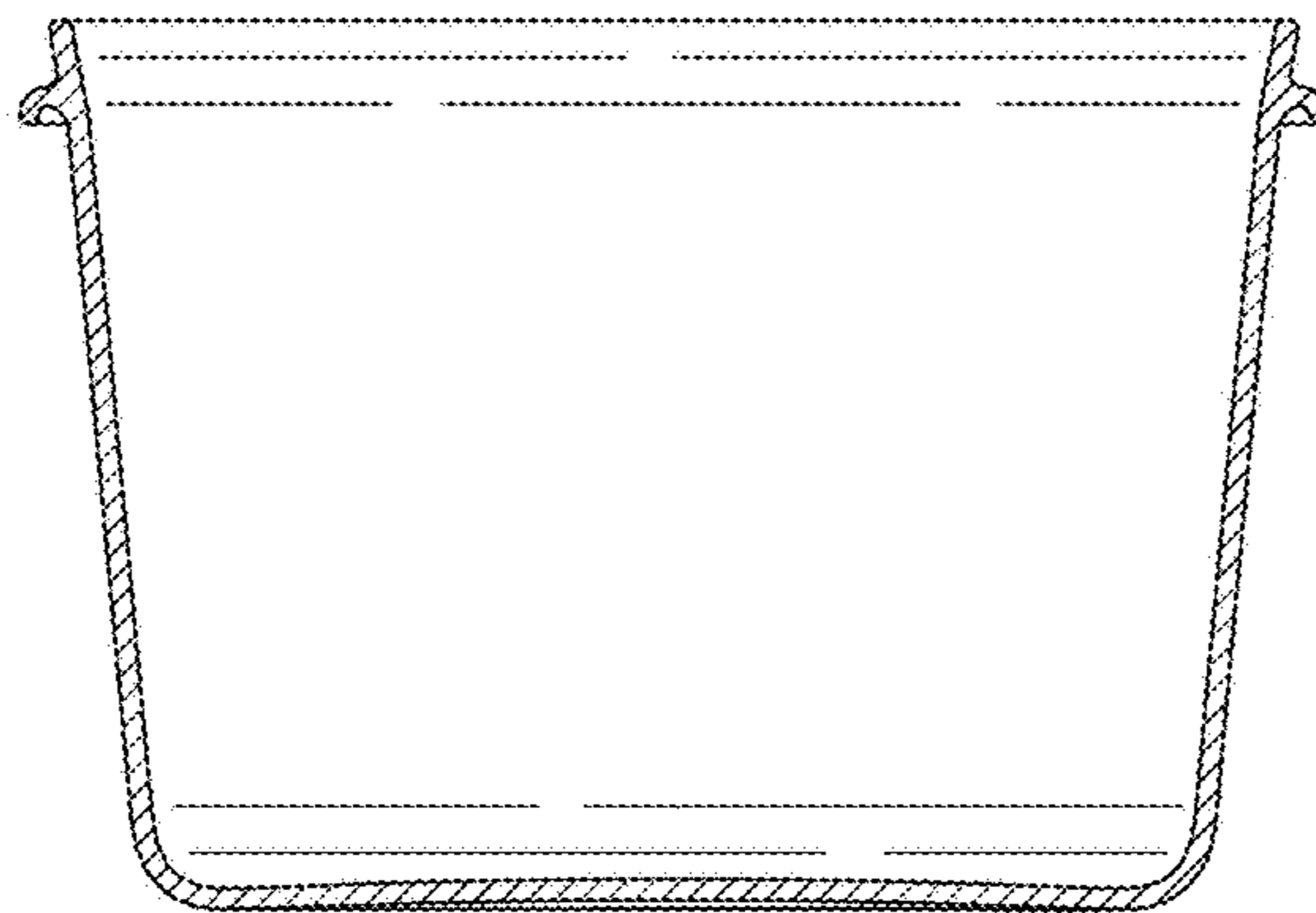


FIG. 30

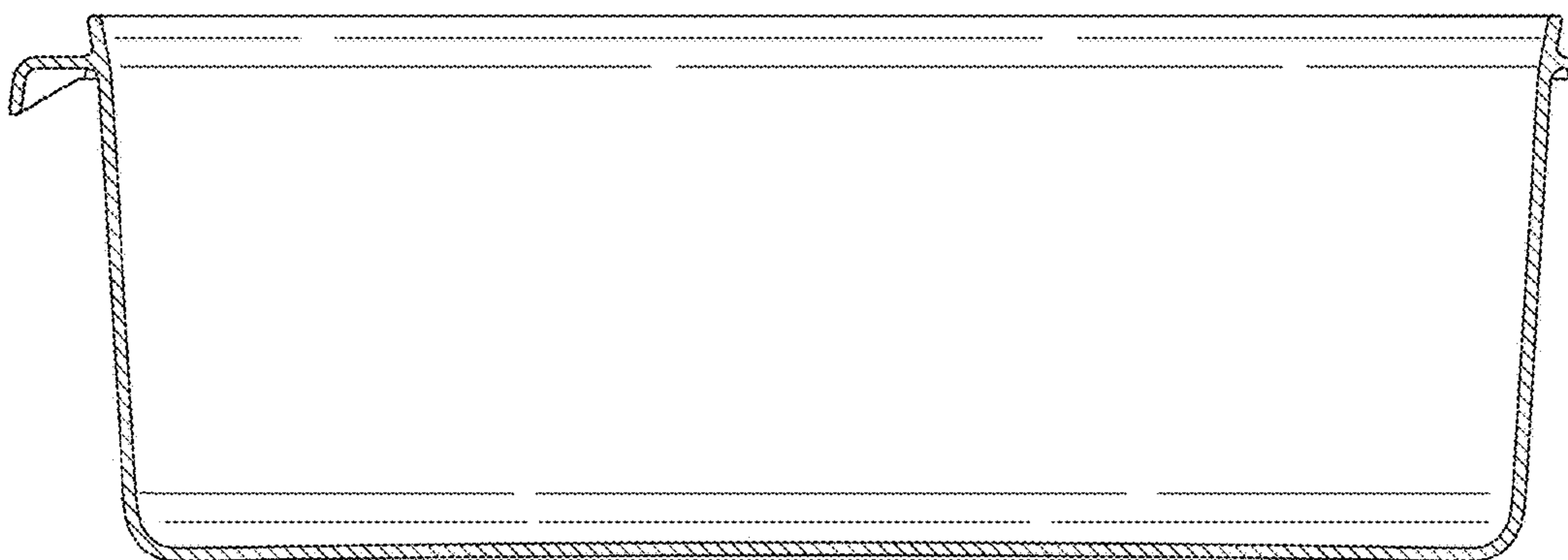


FIG. 31

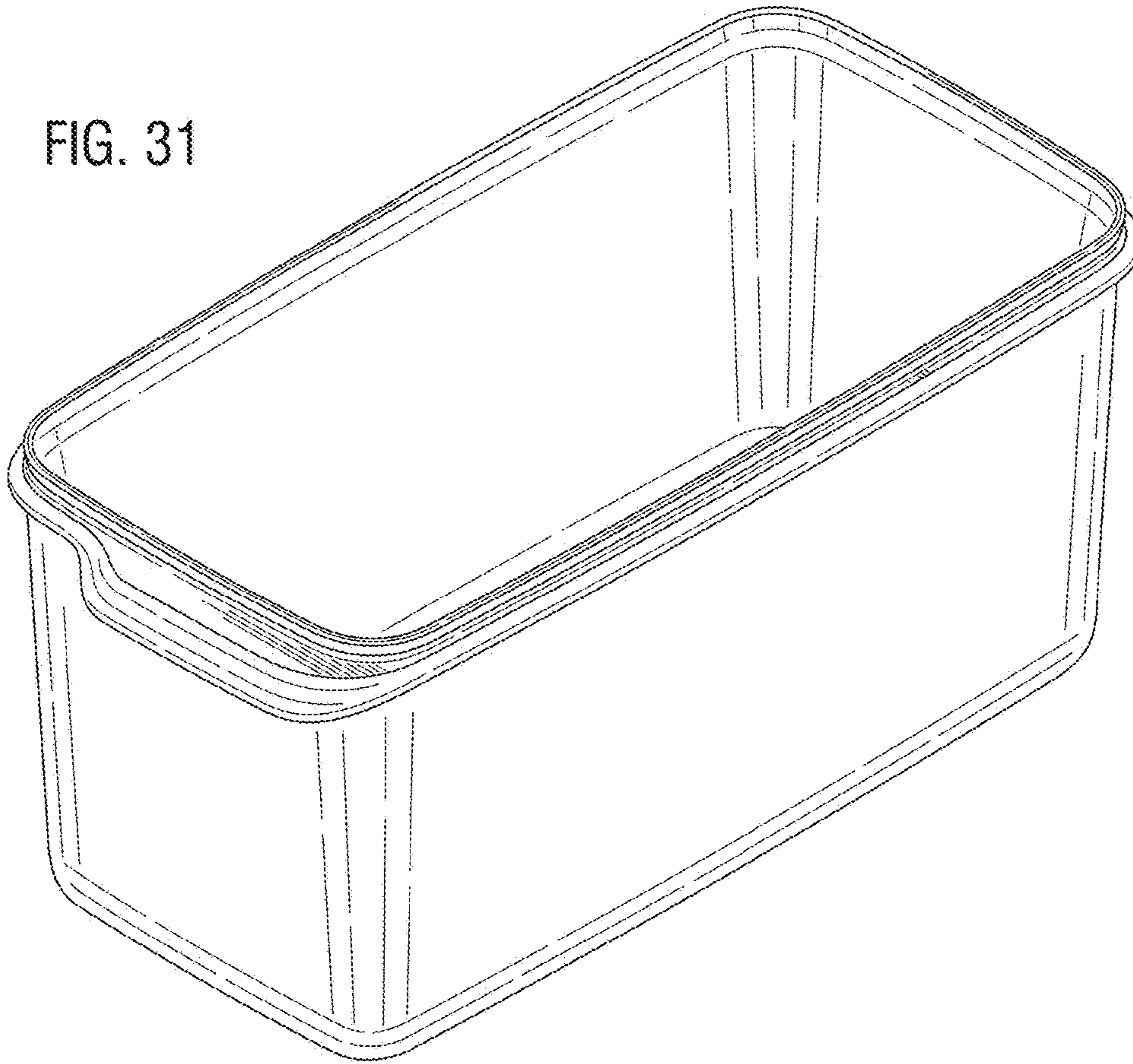


FIG. 37

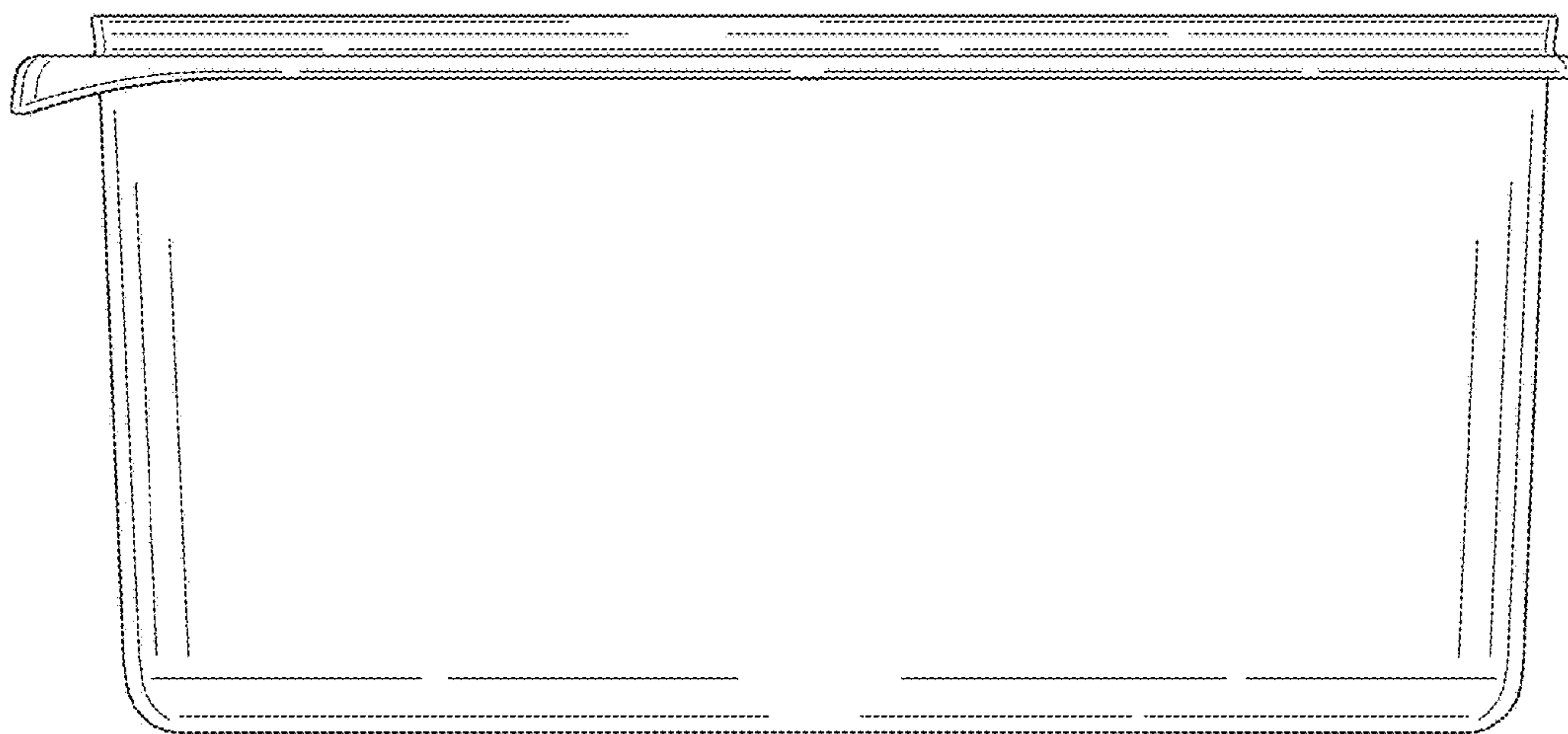


FIG. 32

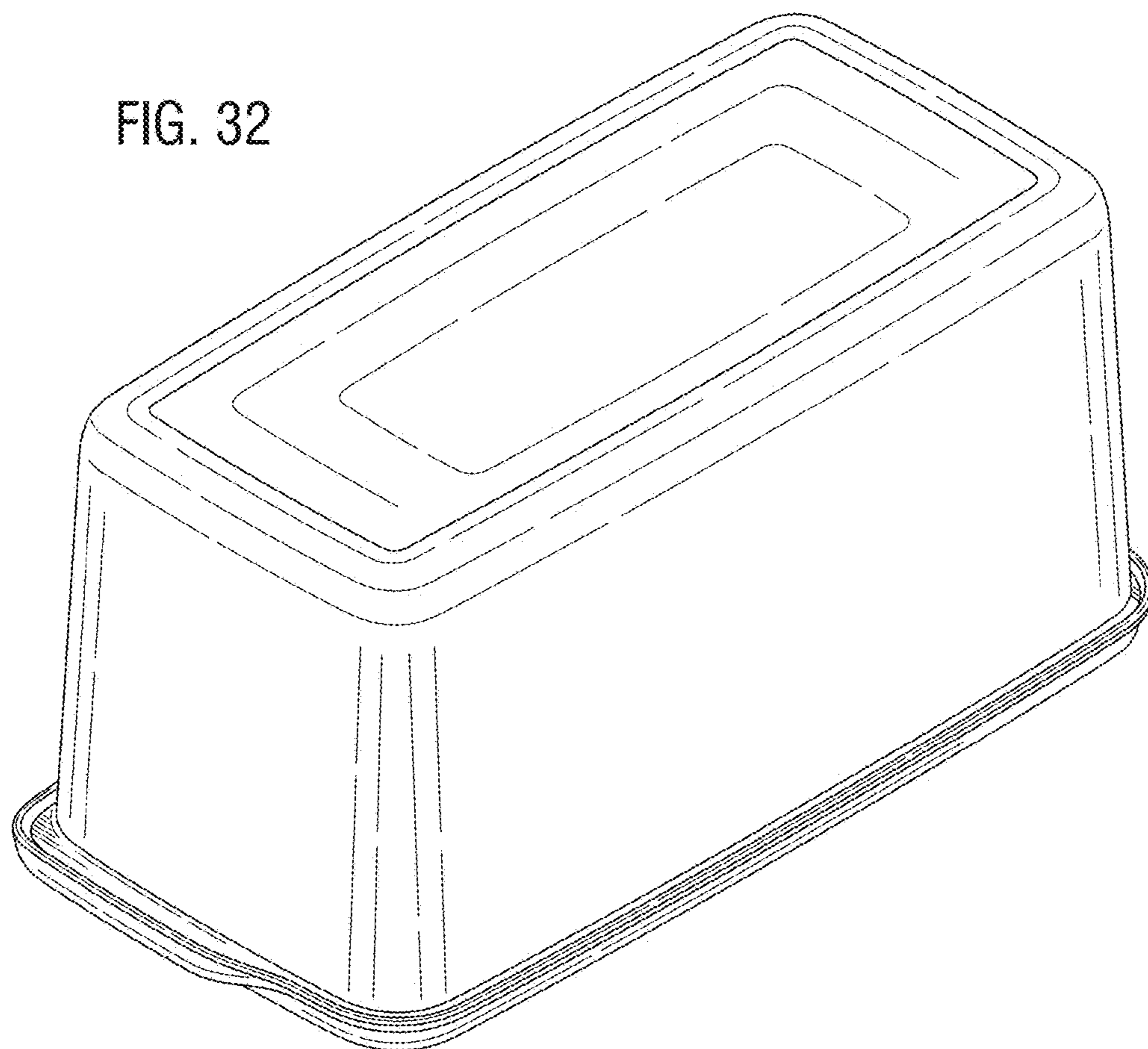
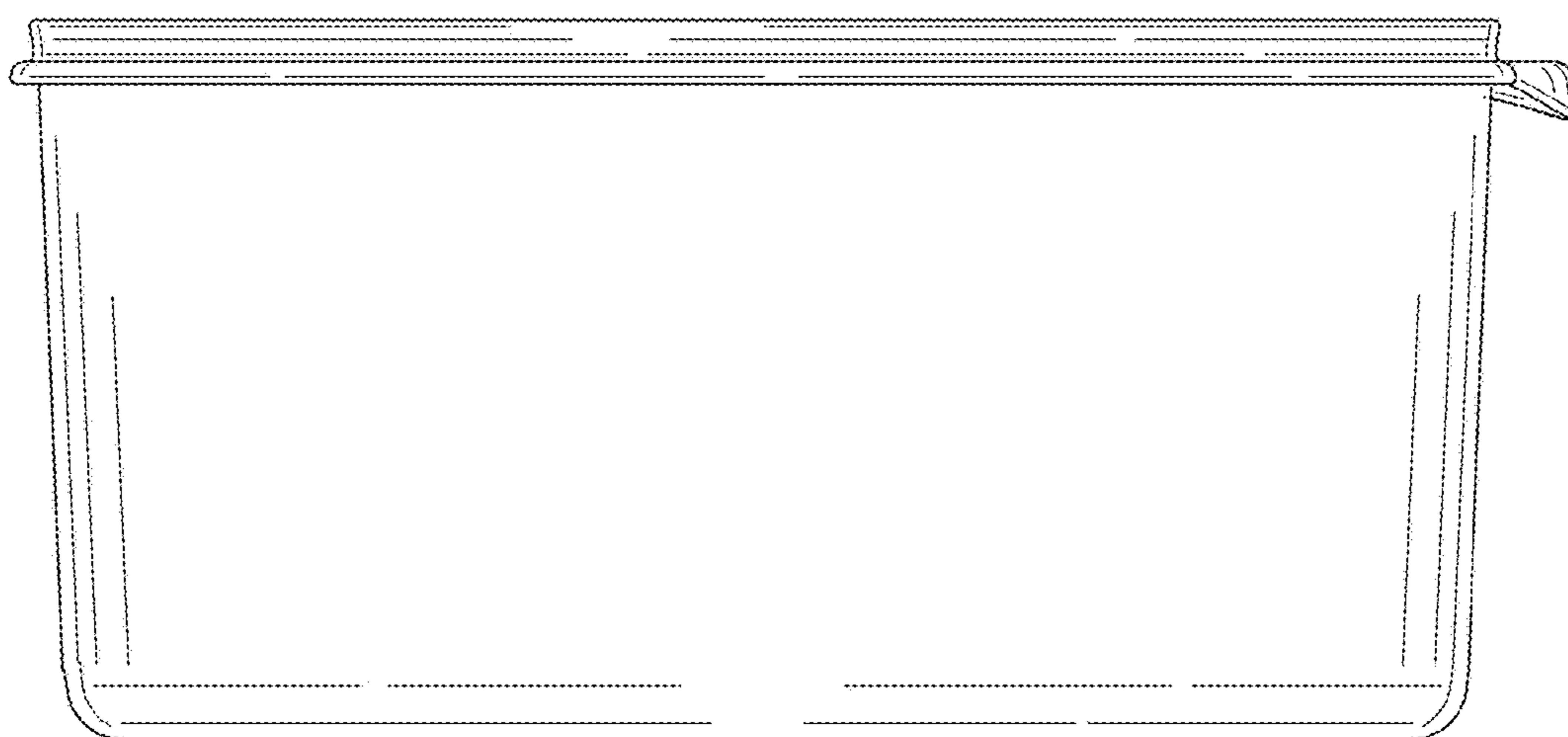
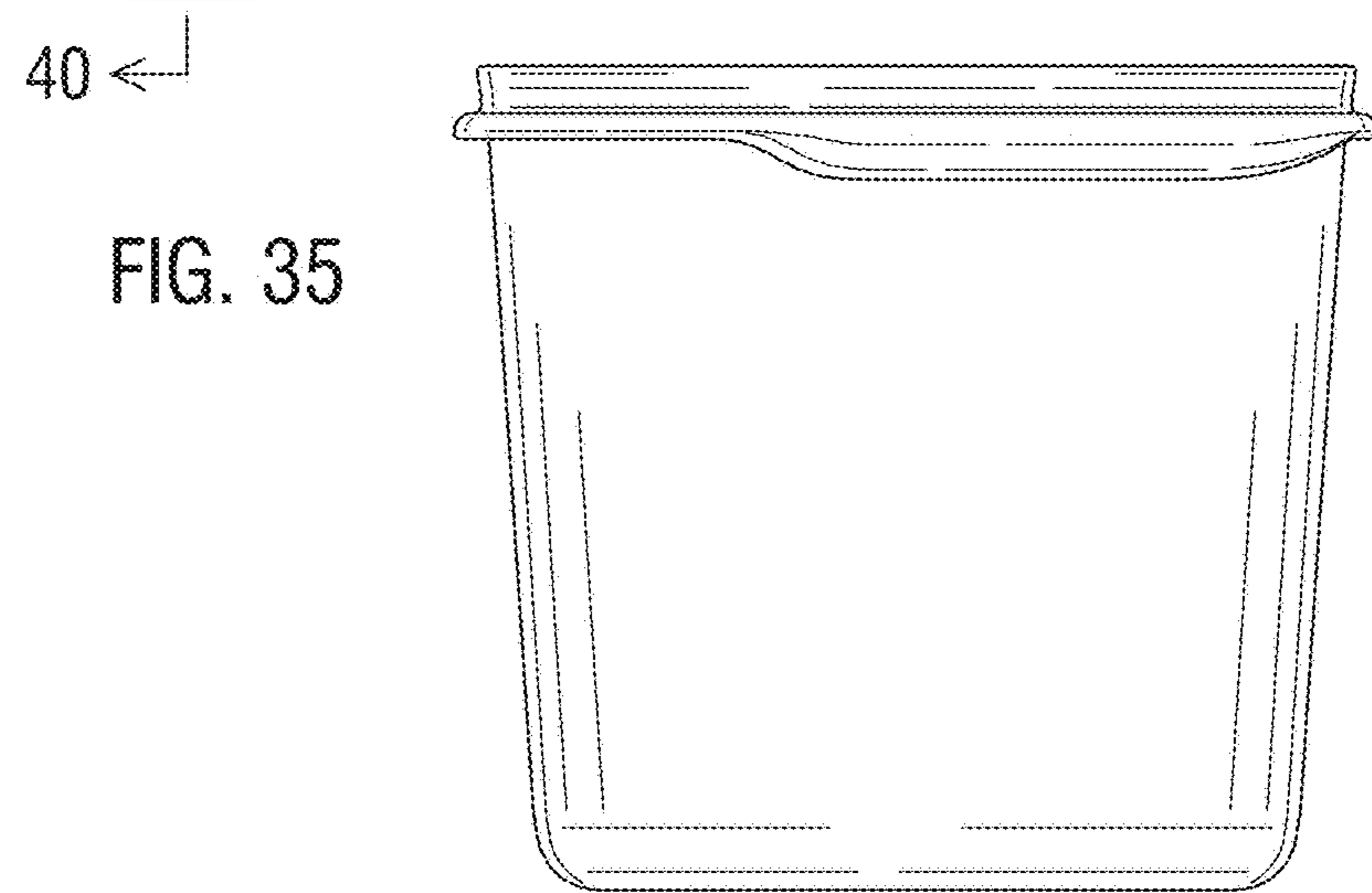
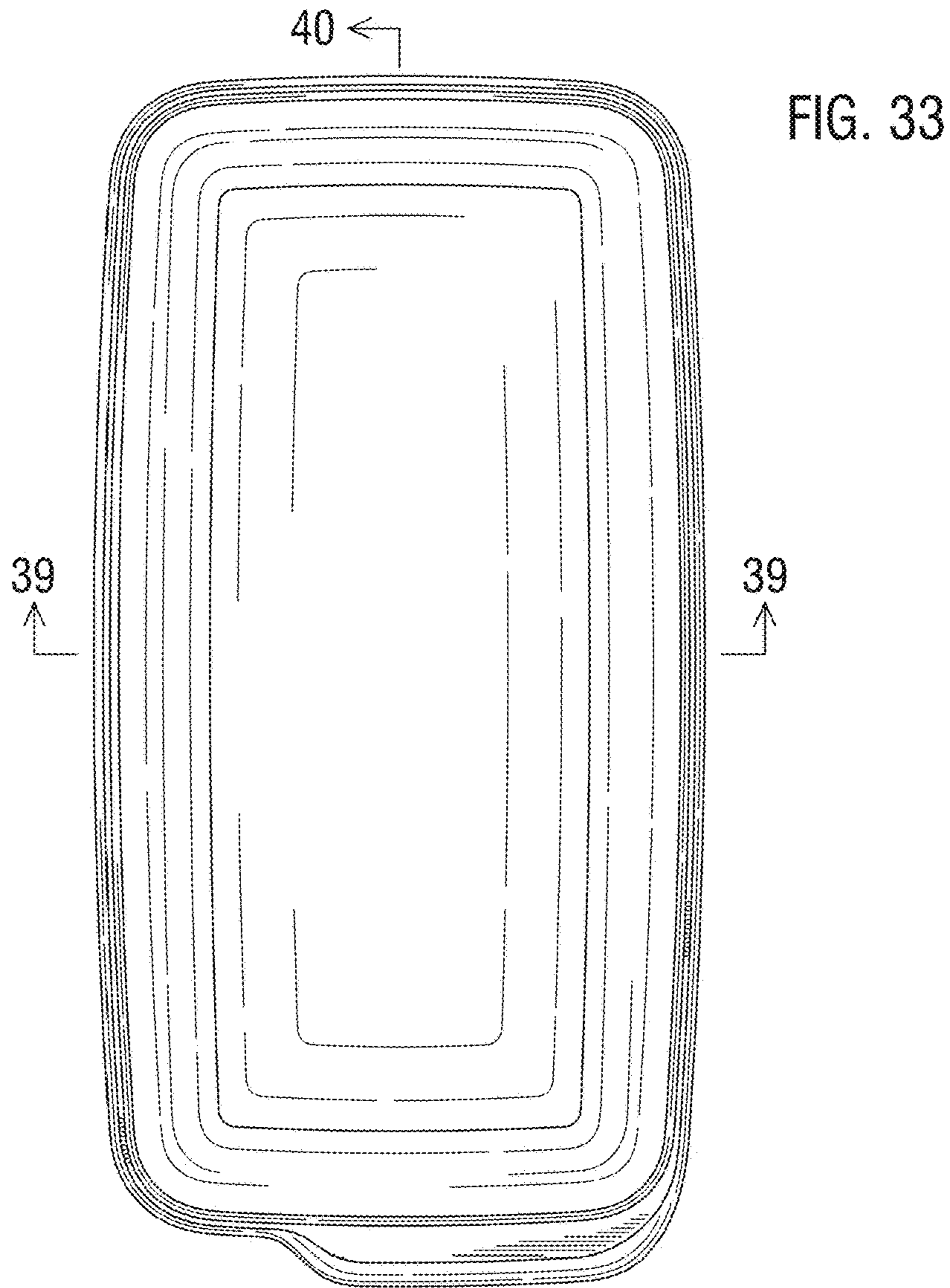


FIG. 38





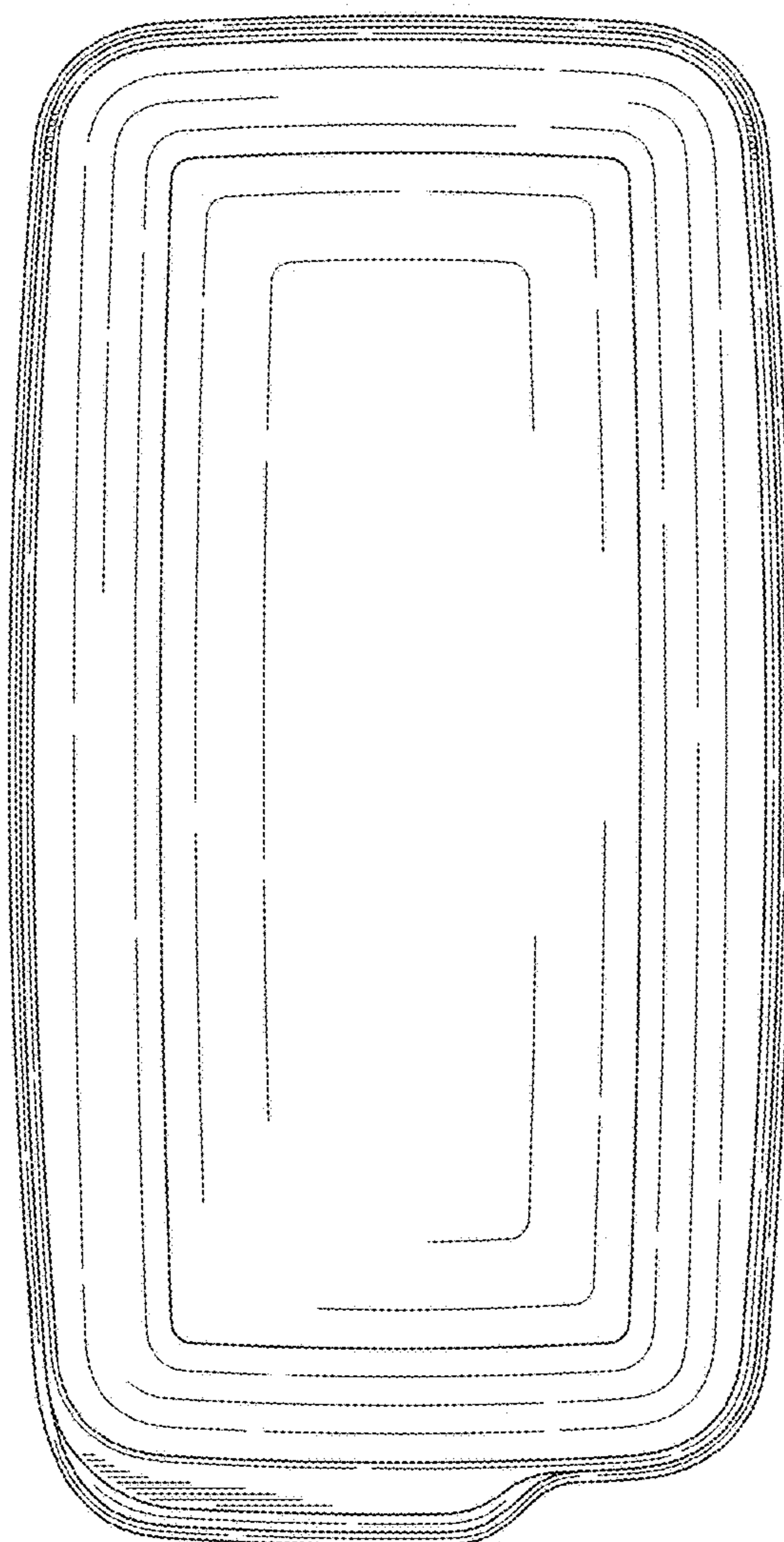


FIG. 34

FIG. 36

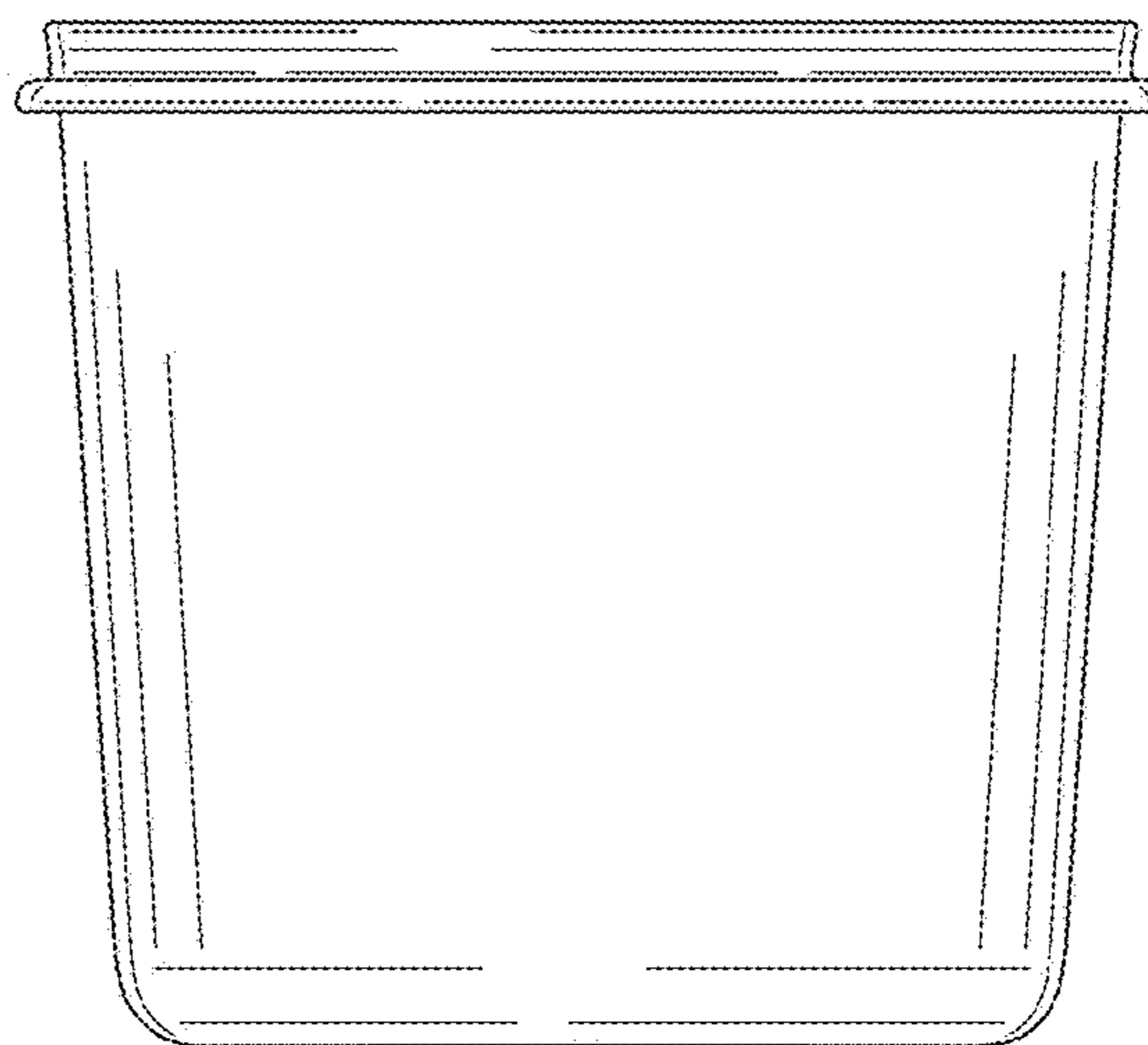


FIG. 39

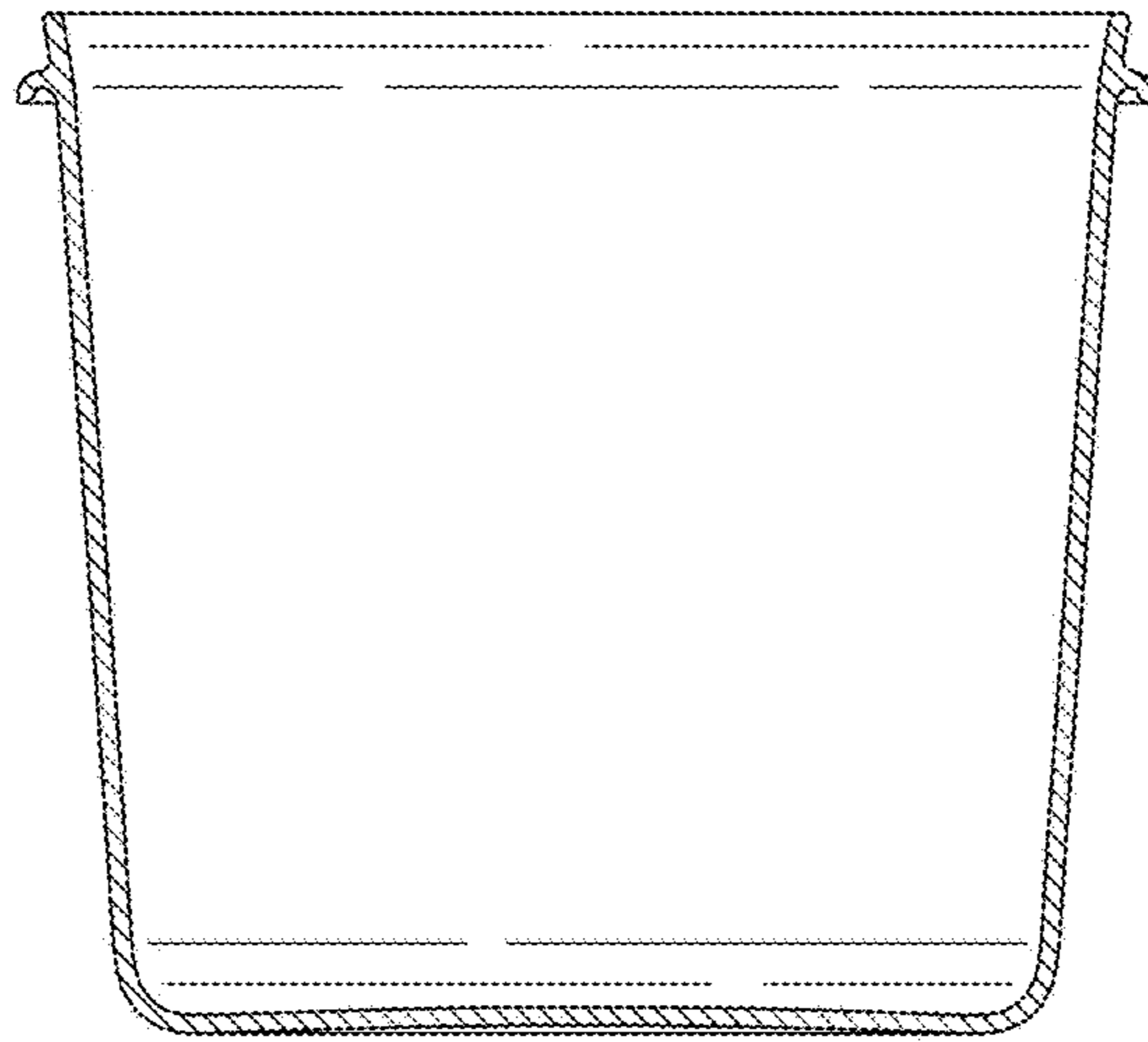


FIG. 40

