



US00D835984S

(12) **United States Design Patent** (10) **Patent No.:** **US D835,984 S**
Perry et al. (45) **Date of Patent:** **** *Dec. 18, 2018**

(54) **CONTAINER**

(71) Applicant: **Abbott Laboratories**, Abbott Park, IL (US)
(72) Inventors: **James Perry**, Gahanna, OH (US); **Jameel Ahmed**, Lombard, IL (US); **Matthew L. Phillips**, Litchfield, CT (US); **David Schweitzer**, Weston, CT (US); **Robert Bruno**, Avon, CT (US)
(73) Assignee: **Abbott Laboratories**, Abbott Park, IL (US)
(*) Notice: This patent is subject to a terminal disclaimer.

(**) Term: **15 Years**
(21) Appl. No.: **29/596,349**
(22) Filed: **Mar. 7, 2017**

(51) **LOC (11) Cl.** **09-03**
(52) **U.S. Cl.**
USPC **D9/420**

(58) **Field of Classification Search**
USPC D9/414, 418, 420, 423-427, 435, D9/446-447, 449, 516, 529, 575, 686; D7/589-591, 601-602, 605, 608, 612, D7/629, 703, 709; D3/201, 203, 205, D3/206, 273, 274, 276, 283, 291, 294,
(Continued)

(56) **References Cited**

U.S. PATENT DOCUMENTS

5,785,179 A * 7/1998 Buczwinski B65D 43/16
206/1.5
D398,816 S * 9/1998 Koutsouflakis D7/605
(Continued)

OTHER PUBLICATIONS

“Similac Advance”, Posted May 17, 2014 [online], [retrieved Jan. 29, 2018]. Retrieved from Internet, <URL:https://www.walmart.com/ip/Similac-Advance-1-45-lb-Powder/14018007.*

(Continued)

Primary Examiner — Barbara Fox
Assistant Examiner — Mehri F Bajoul
(74) *Attorney, Agent, or Firm* — McAndrews, Held & Malloy, Ltd.

(57) **CLAIM**

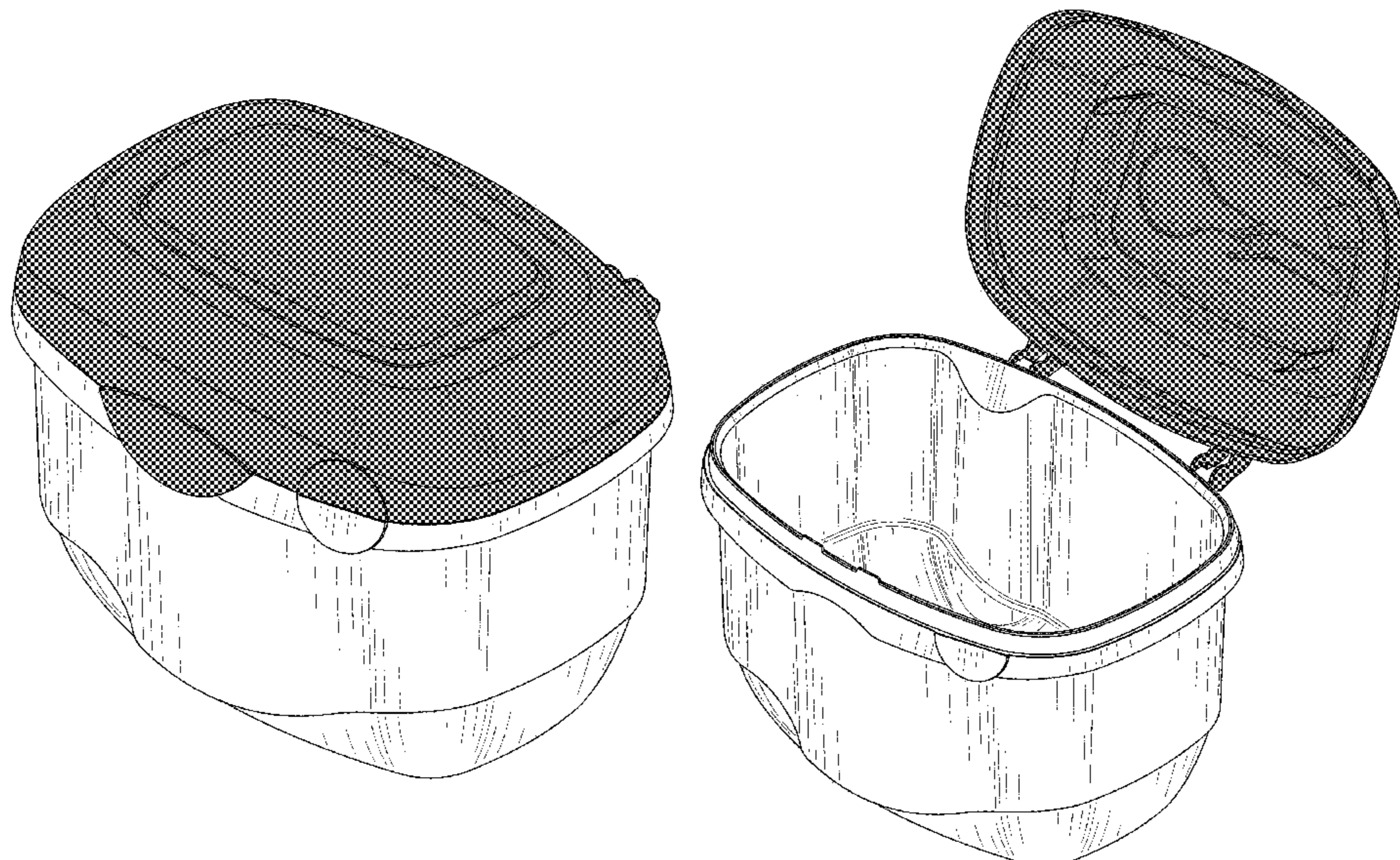
The ornamental design for a container, as shown and described.

DESCRIPTION

The patent file contains at least one drawing executed in color. Copies of this patent with color drawings will be provided by the Office upon request and payment of the necessary fee.

FIG. 1 is a top front perspective view of a container showing our new design in a closed configuration; FIG. 2 is a front elevation view thereof; FIG. 3 is a rear elevation view thereof; FIG. 4 is a right side elevation view thereof; FIG. 5 is a left side elevation view thereof; FIG. 6 is a top plan view thereof; FIG. 7 is a bottom plan view thereof; FIG. 8 is a top rear perspective view thereof; FIG. 9 is a bottom front perspective view thereof; FIG. 10 is a top front perspective view of a container showing our new design in an open configuration; FIG. 11 is a front elevation view thereof; FIG. 12 is a rear elevation view thereof; FIG. 13 is a right side elevation view thereof; FIG. 14 is a left side elevation view thereof; FIG. 15 is a top plan view thereof; FIG. 16 is a bottom plan view thereof; and, FIG. 17 is a top rear perspective view thereof.

1 Claim, 17 Drawing Sheets
(17 of 17 Drawing Sheet(s) Filed in Color)



(58) **Field of Classification Search**

USPC D3/302; 62/457.1, 457.7; 220/324, 660,
 220/669, 675, 810, 831, 915.1, 915.2;
 215/235-237, 379, 381-382
 CPC A45C 5/04; B65D 25/2897; B65D 51/20;
 B65D 17/02

See application file for complete search history.

(56) **References Cited**

U.S. PATENT DOCUMENTS

D414,606	S *	10/1999	Sun	D3/276
D414,637	S *	10/1999	Amundson	D9/734
D442,438	S *	5/2001	Schankowski	D14/168
D461,371	S *	8/2002	Umans	D7/605
D463,276	S *	9/2002	Piscopopo	D9/420
D464,485	S *	10/2002	Sward	D3/273
D485,461	S *	1/2004	Sams	D6/515
D501,721	S *	2/2005	Zimmerman	D3/273
D531,802	S *	11/2006	Zimmerman	D3/302
D557,993	S *	12/2007	Stamper	D7/629
D566,484	S *	4/2008	George	D3/294
D617,149	S *	6/2010	Olivari	D7/629
D624,406	S *	9/2010	Cronican	D9/434
D630,939	S *	1/2011	Peters	D9/420
D631,303	S *	1/2011	Roth	D7/629
D633,756	S *	3/2011	Bago	D7/629
D637,461	S *	5/2011	Ho	D7/629
D649,407	S *	11/2011	Neuhaus	D7/609
8,381,909	B2 *	2/2013	Hernandez	B65D 21/0233 206/207
D680,225	S *	4/2013	Boonprasop	D24/217
D682,046	S *	5/2013	Myoung	D7/629
D692,281	S *	10/2013	George	D7/629
D695,575	S *	12/2013	Katz	D7/629
D700,482	S *	3/2014	Yessin	D7/629
D708,913	S *	7/2014	Ng	D7/629
8,857,645	B2 *	10/2014	Perry	B65D 51/24 220/214
D718,983	S *	12/2014	Yessin	D7/629
D741,665	S *	10/2015	Bagley	D7/629

D751,215	S *	3/2016	Perry	D24/232
D758,805	S *	6/2016	Myoung	D7/629
D758,806	S *	6/2016	Morales	D3/276
9,387,963	B2 *	7/2016	McBroom	B65D 43/169
D763,629	S *	8/2016	Swartz	D7/629
D772,659	S *	11/2016	Middleton	D7/629
D773,901	S *	12/2016	Marret	D7/629
D777,530	S *	1/2017	Marret	D7/629
D801,754	S *	11/2017	Neumann	D7/629
D805,363	S *	12/2017	Weinberg	D7/703
D806,974	S *	1/2018	Lloyd	D34/7
D808,228	S *	1/2018	Weernink	D7/629
2008/0156806	A1 *	7/2008	Perry	B65D 25/2897 220/361
2010/0006578	A1 *	1/2010	Roth	A45C 11/20 220/592.01
2010/0108670	A1 *	5/2010	Perry	B65D 43/169 220/23.87
2010/0308044	A1 *	12/2010	Perry	B65D 1/42 220/200
2010/0308065	A1 *	12/2010	Vandamme	B65D 43/169 220/697
2014/0021206	A1 *	1/2014	Vernon	A47G 19/06 220/574.1
2014/0097183	A1 *	4/2014	McGrath	B65D 25/2897 220/212
2016/0045054	A1 *	2/2016	Su	A47J 47/14 99/403
2017/0057697	A1 *	3/2017	Fee	B44D 3/121
2017/0096268	A1 *	4/2017	Perry	B65D 51/24

OTHER PUBLICATIONS

“Food Glass Storage”, Posted Jul. 14, 2016, [Online], [retrieved Jan. 29, 2018]. Retrieved from Internet, <URL:https://www.amazon.com/Glass-Food-Storage-Container-Set/dp/B01E47VQLQ/ref=cm_cr_arp_d_product_top?ie=UTF8 https://www.amazon.com/Glass-Food-Storage-Container-Set/product-reviews/B01E47VQLQ/ref=c.*

* cited by examiner

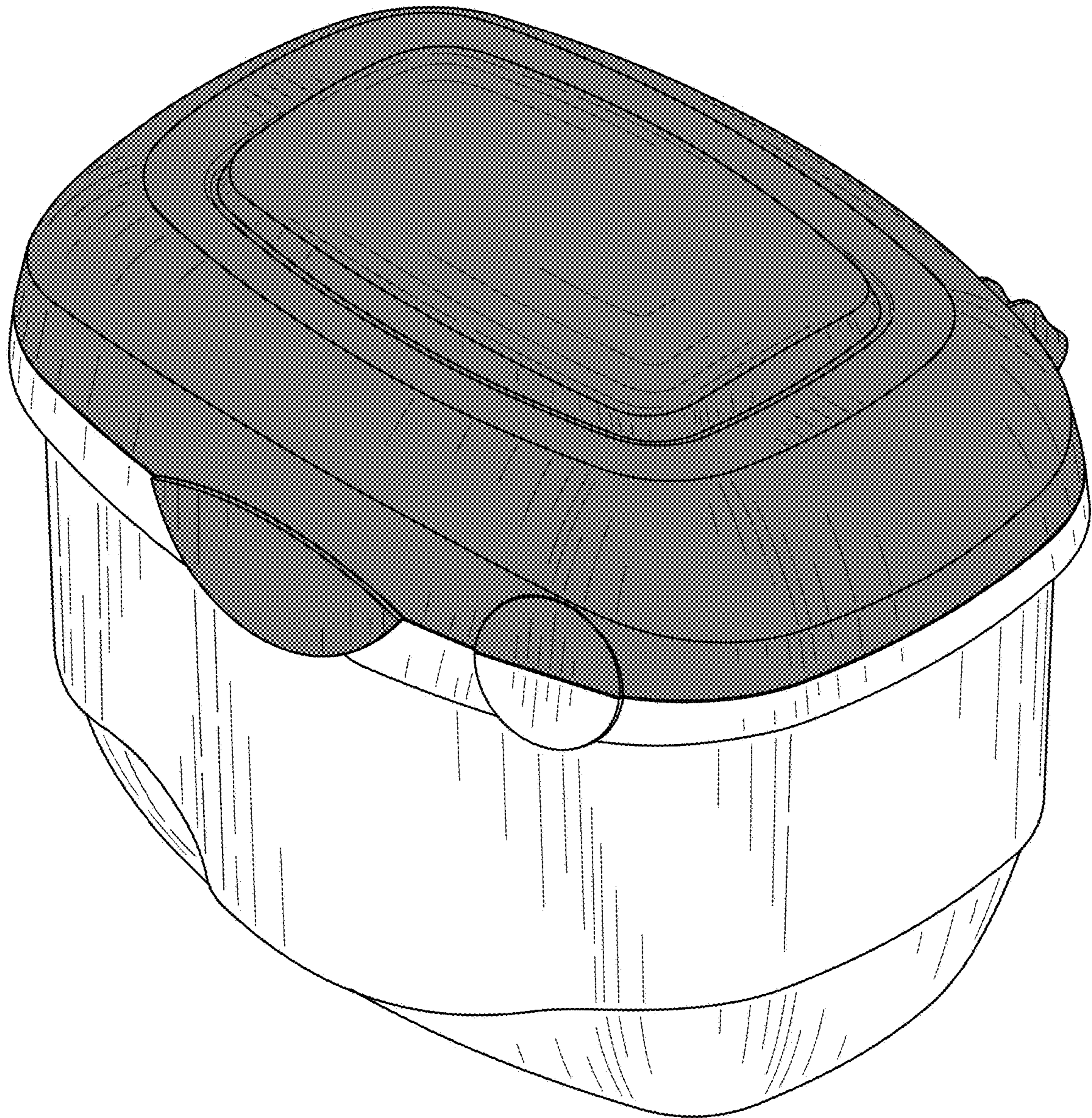


FIG. 1

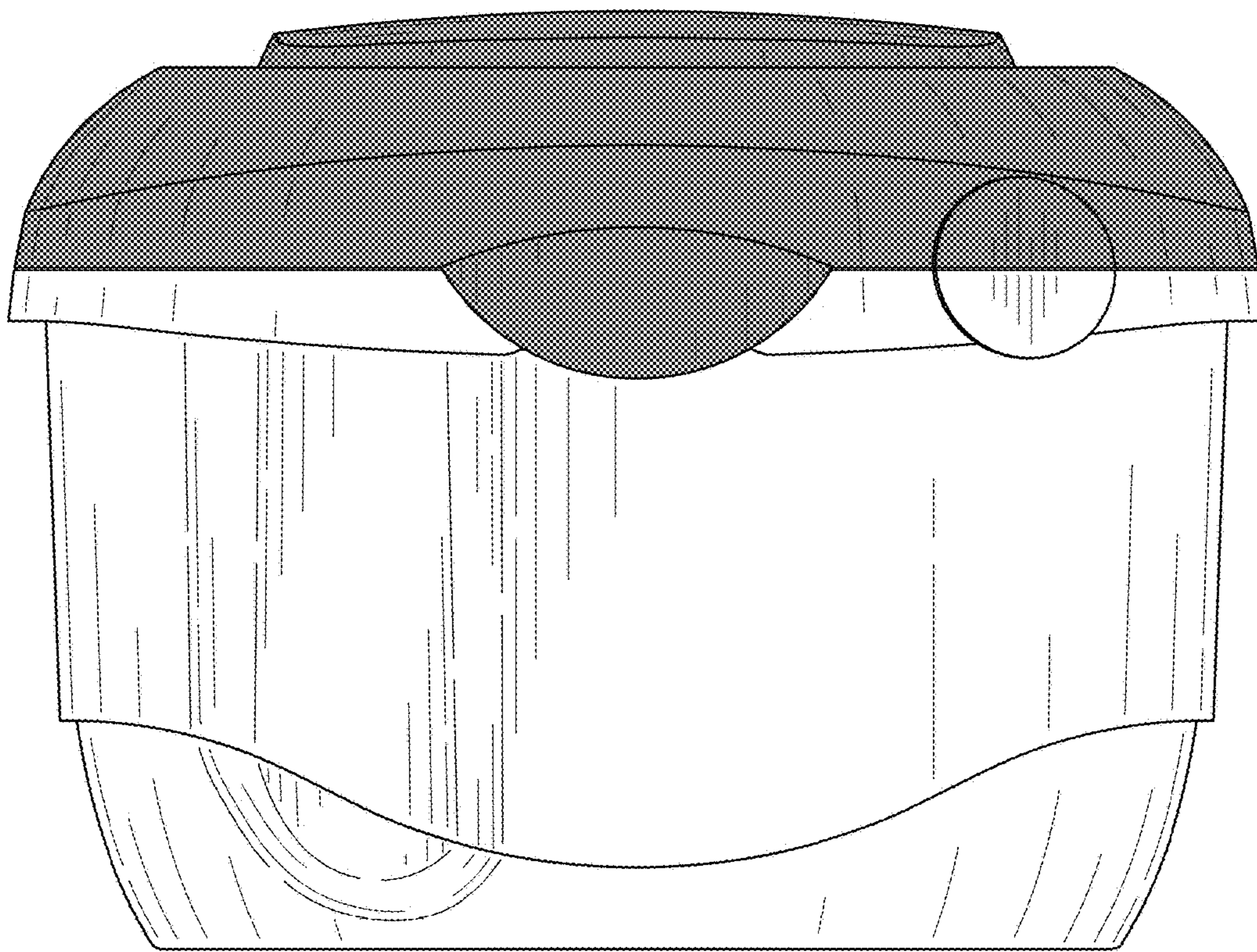


FIG. 2

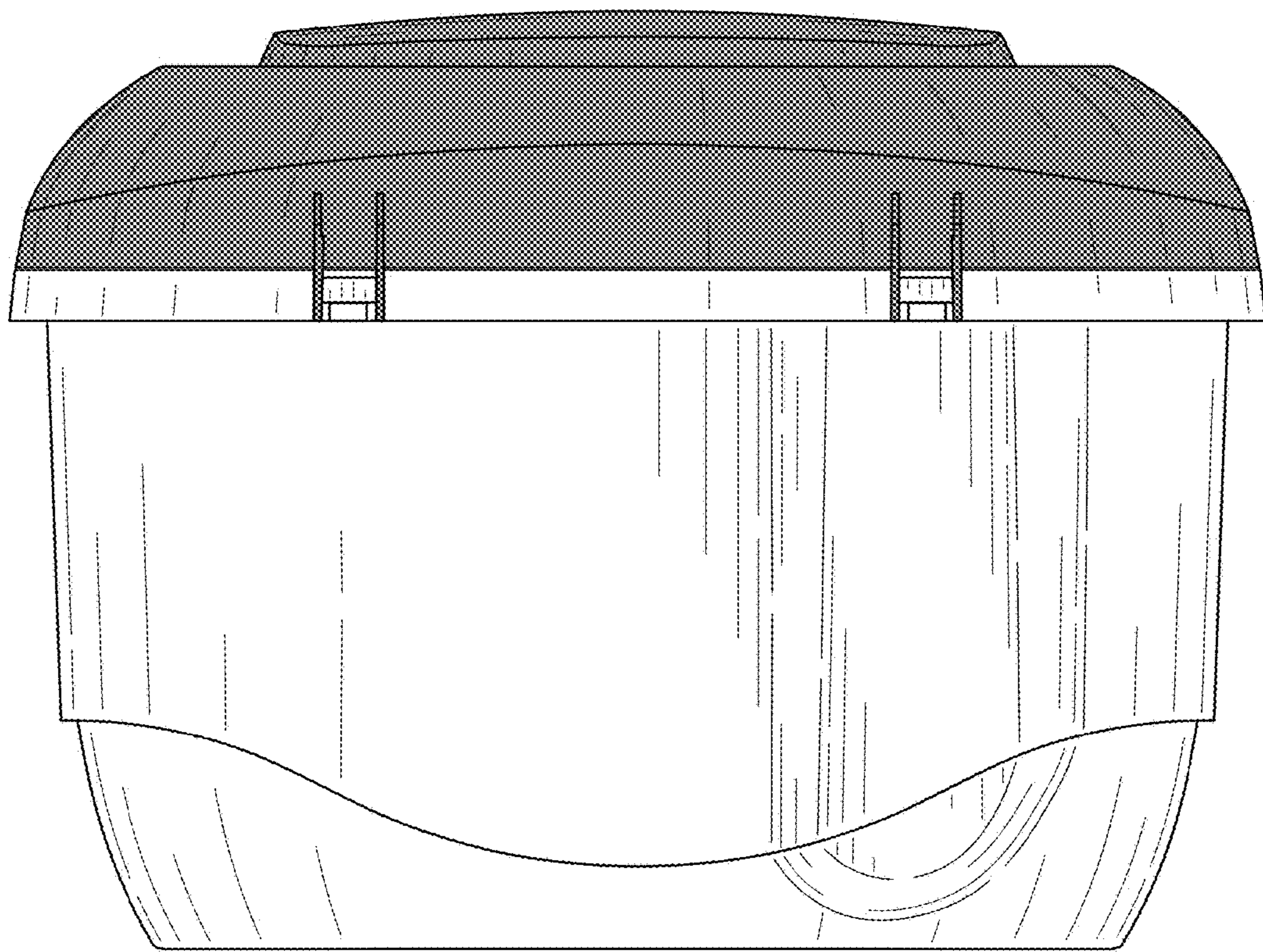


FIG. 3

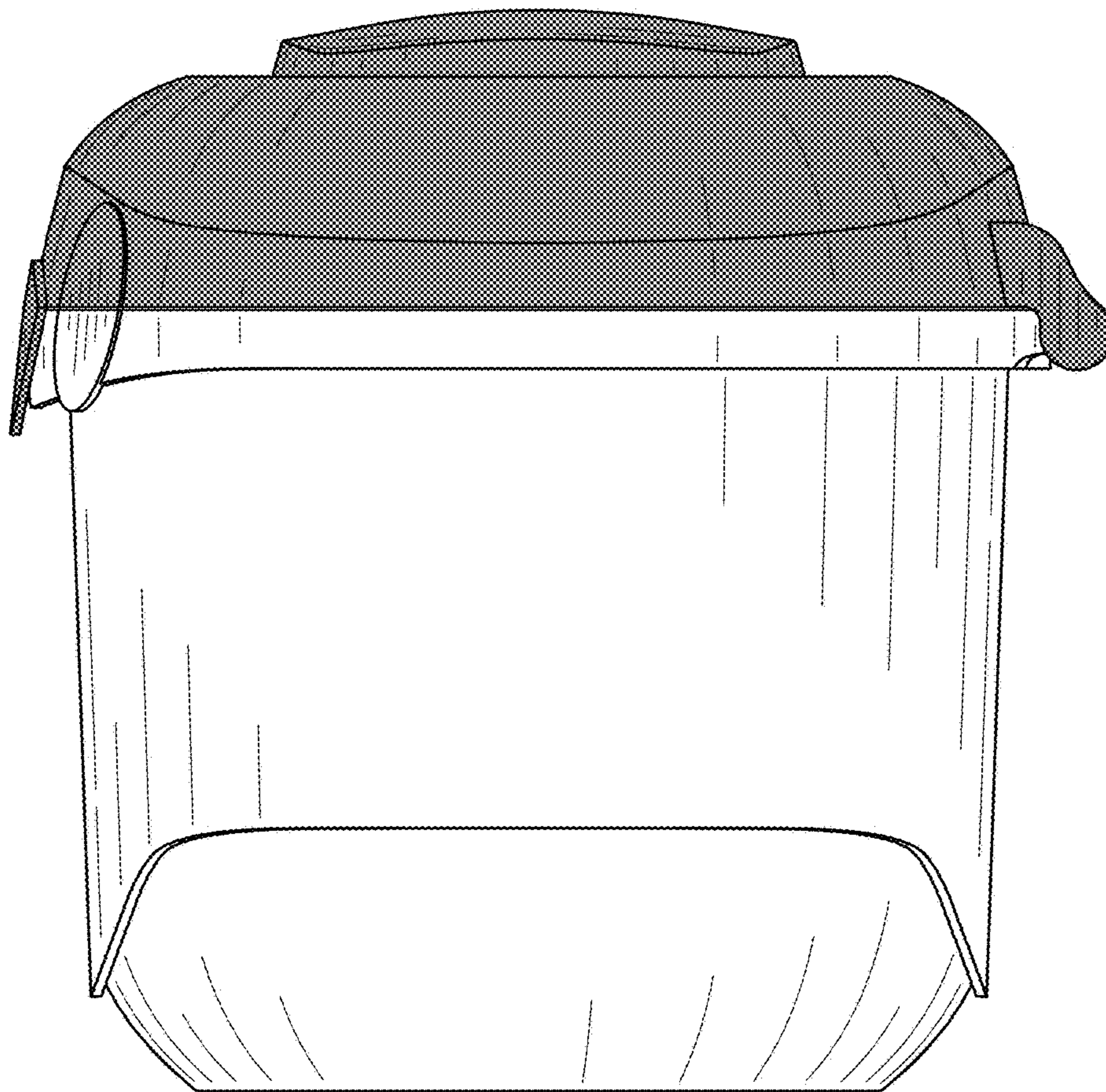


FIG. 4

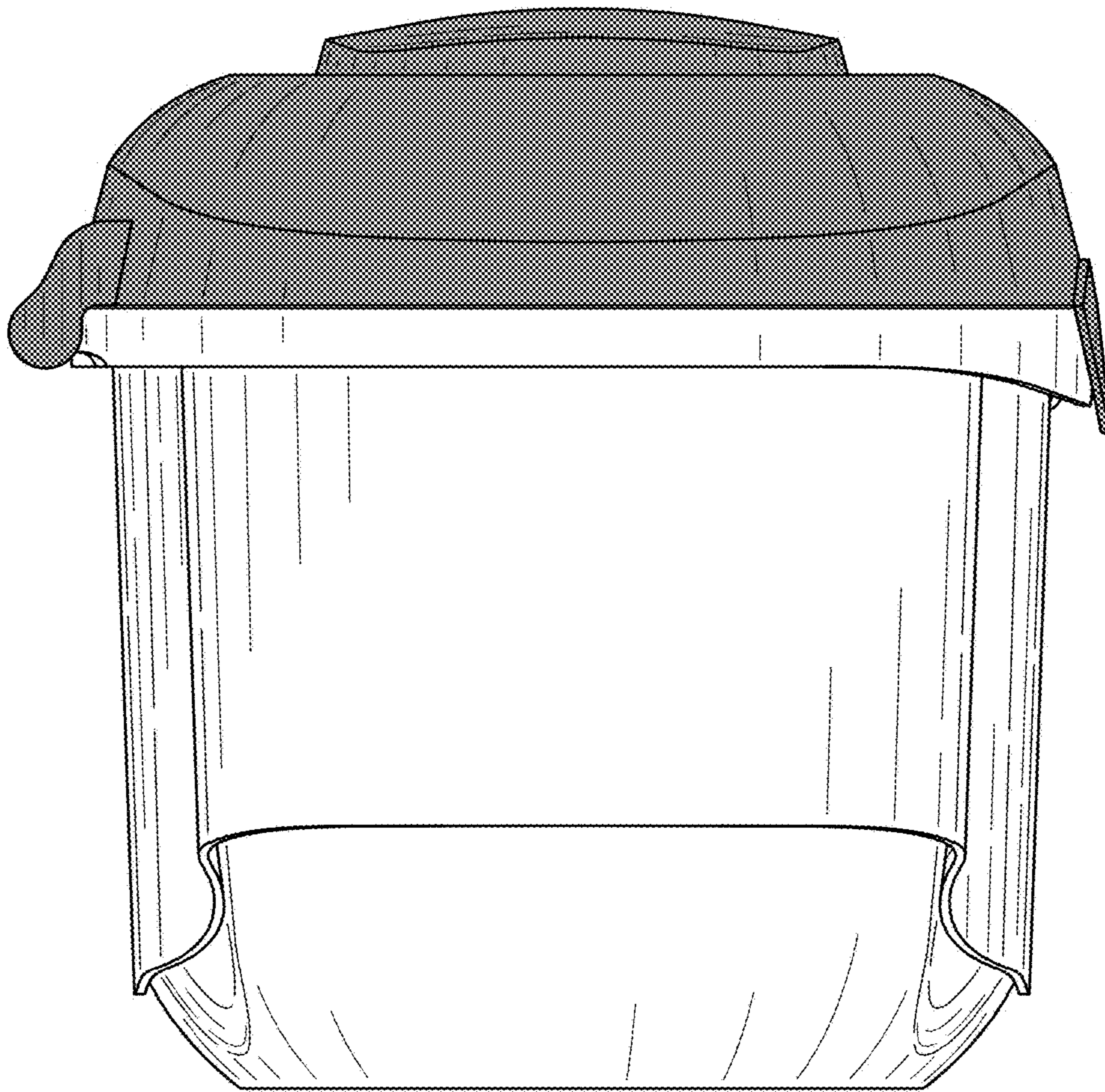


FIG. 5

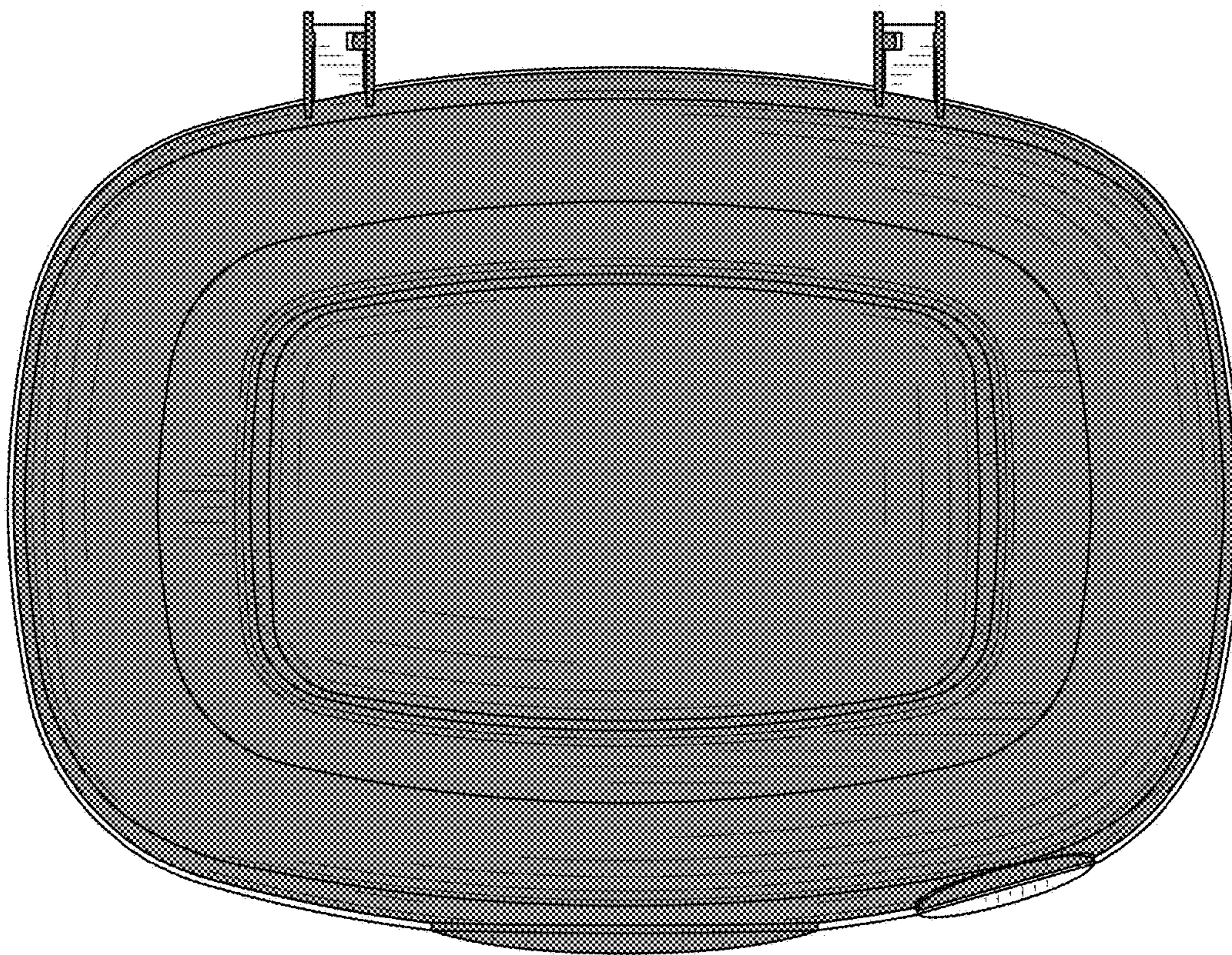


FIG. 6

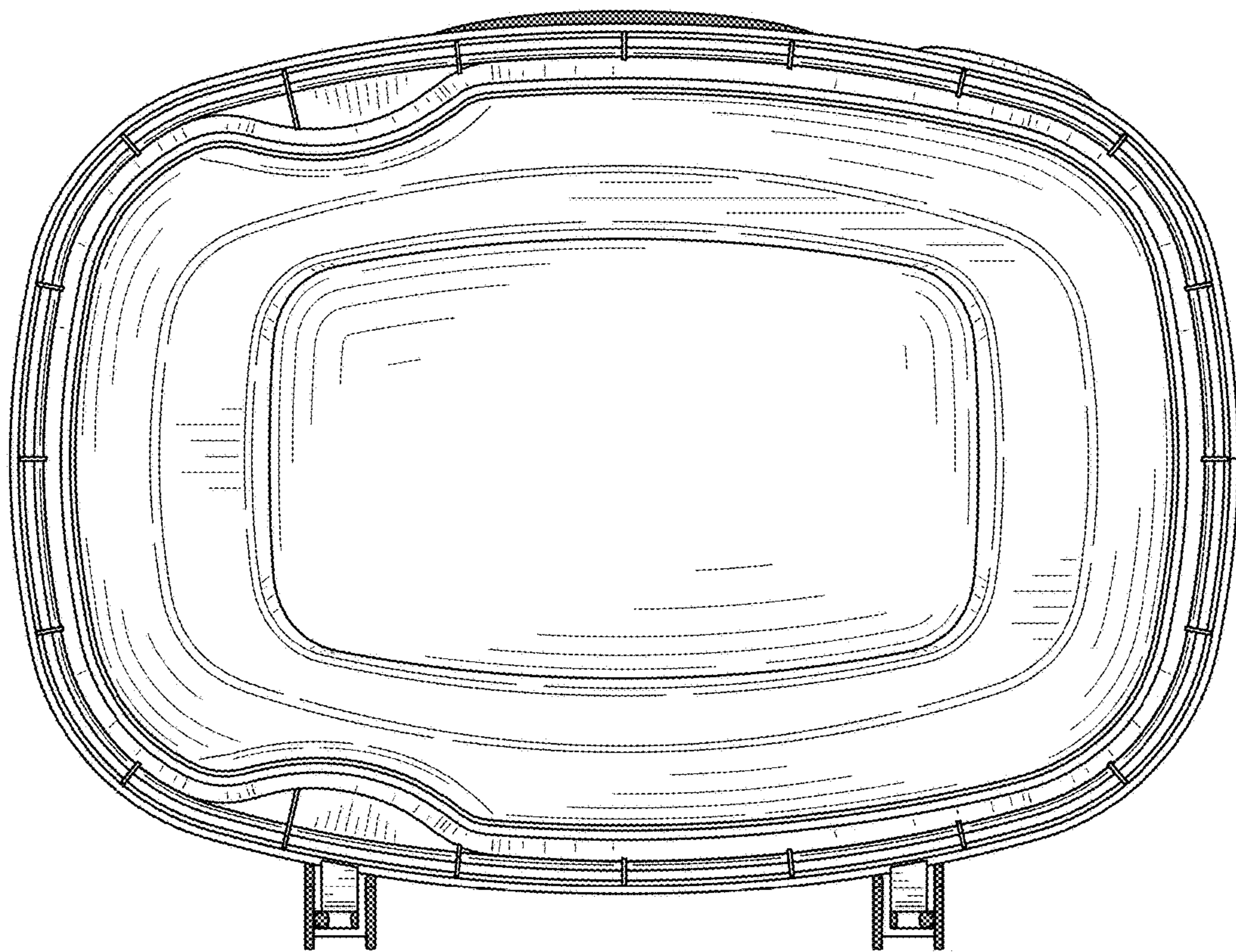


FIG. 7

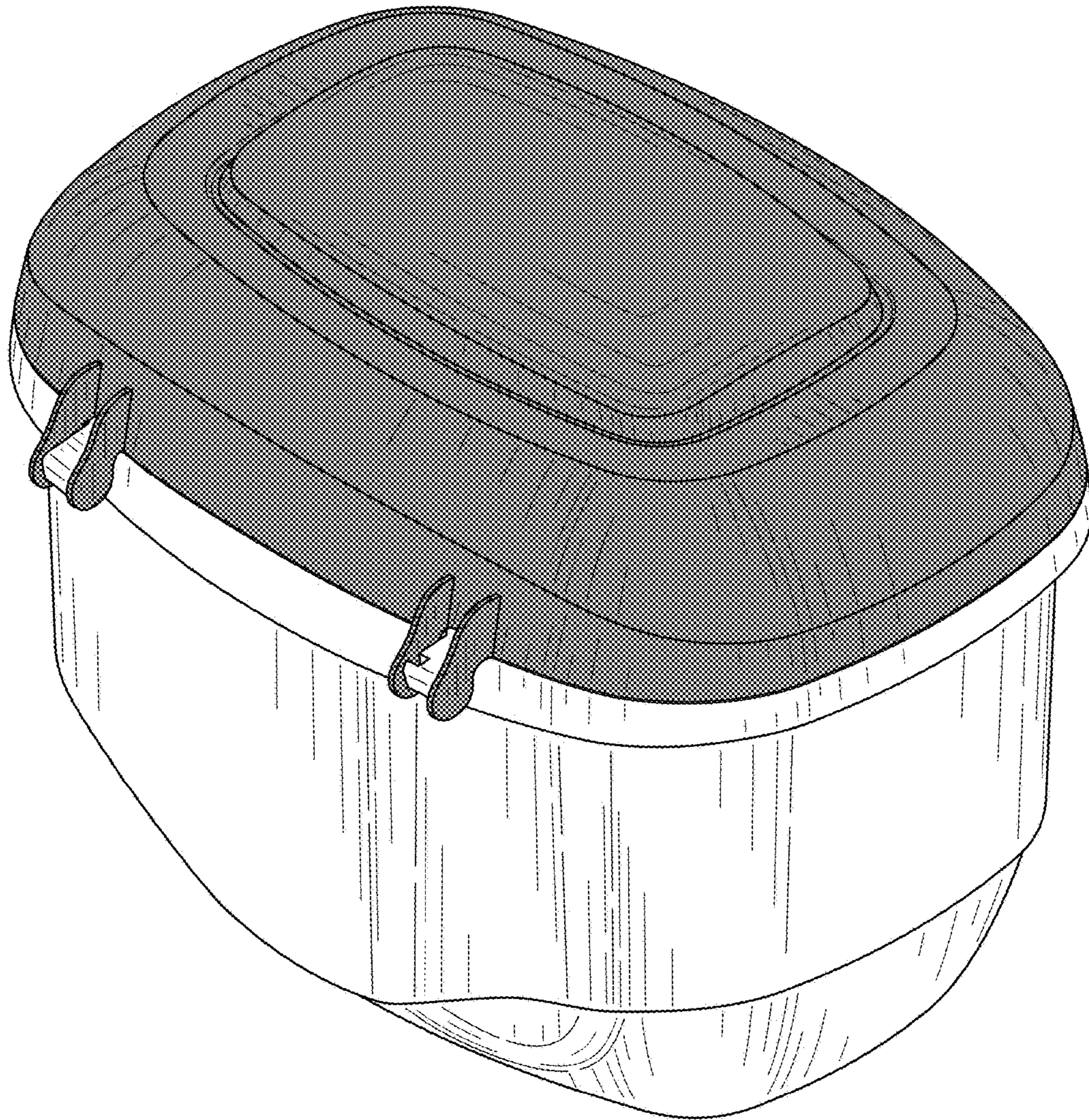


FIG. 8

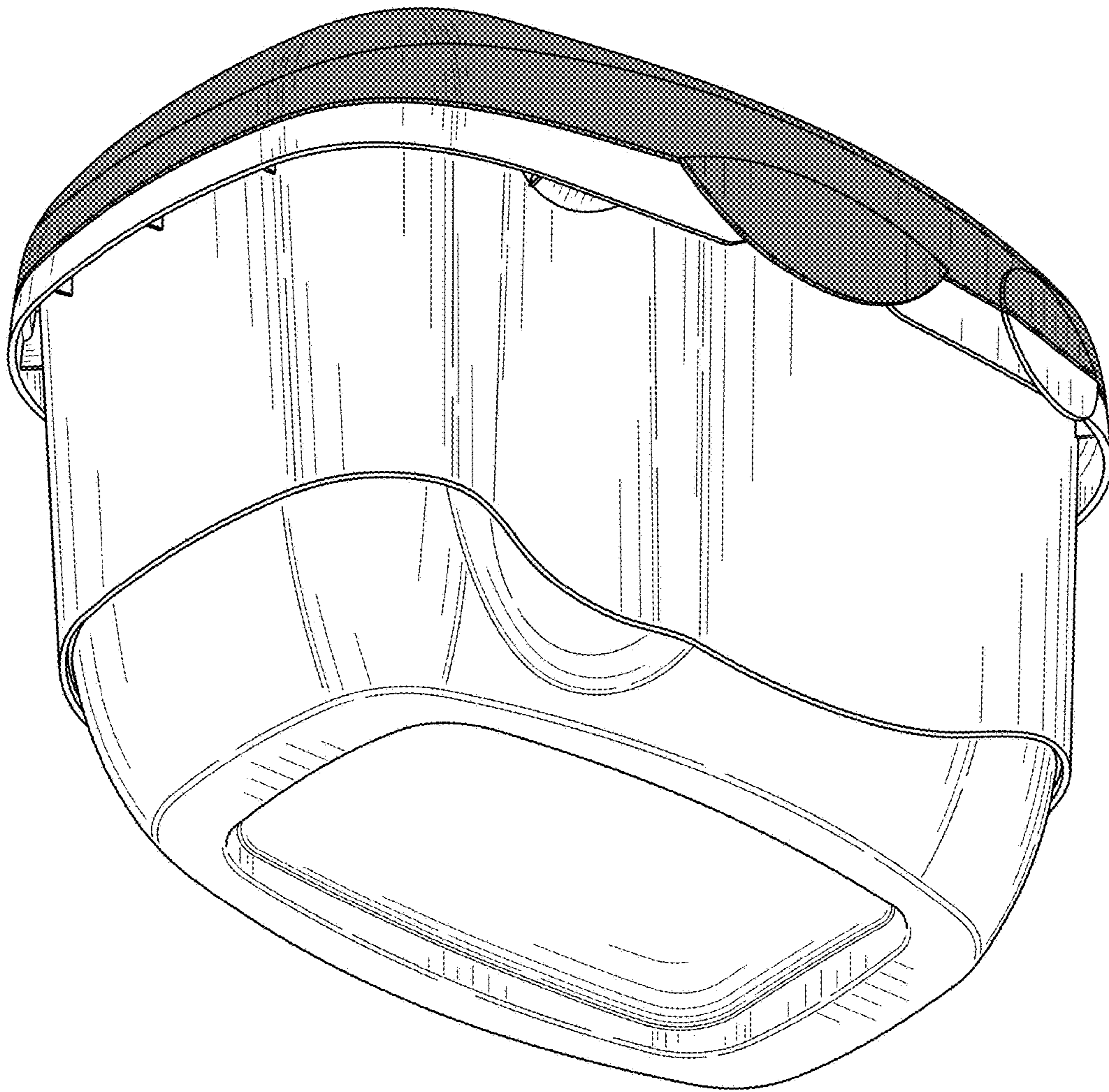


FIG. 9

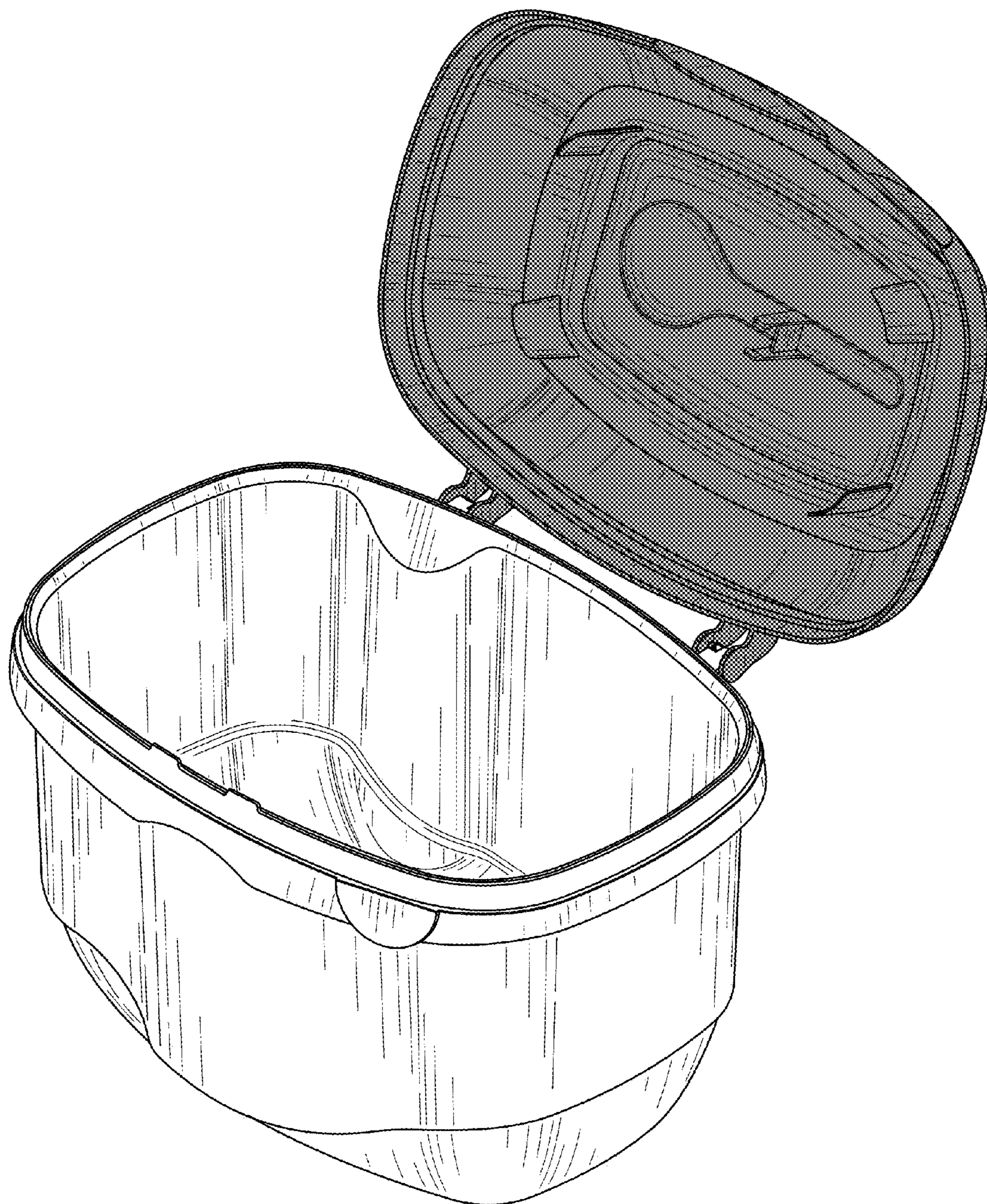


FIG. 10

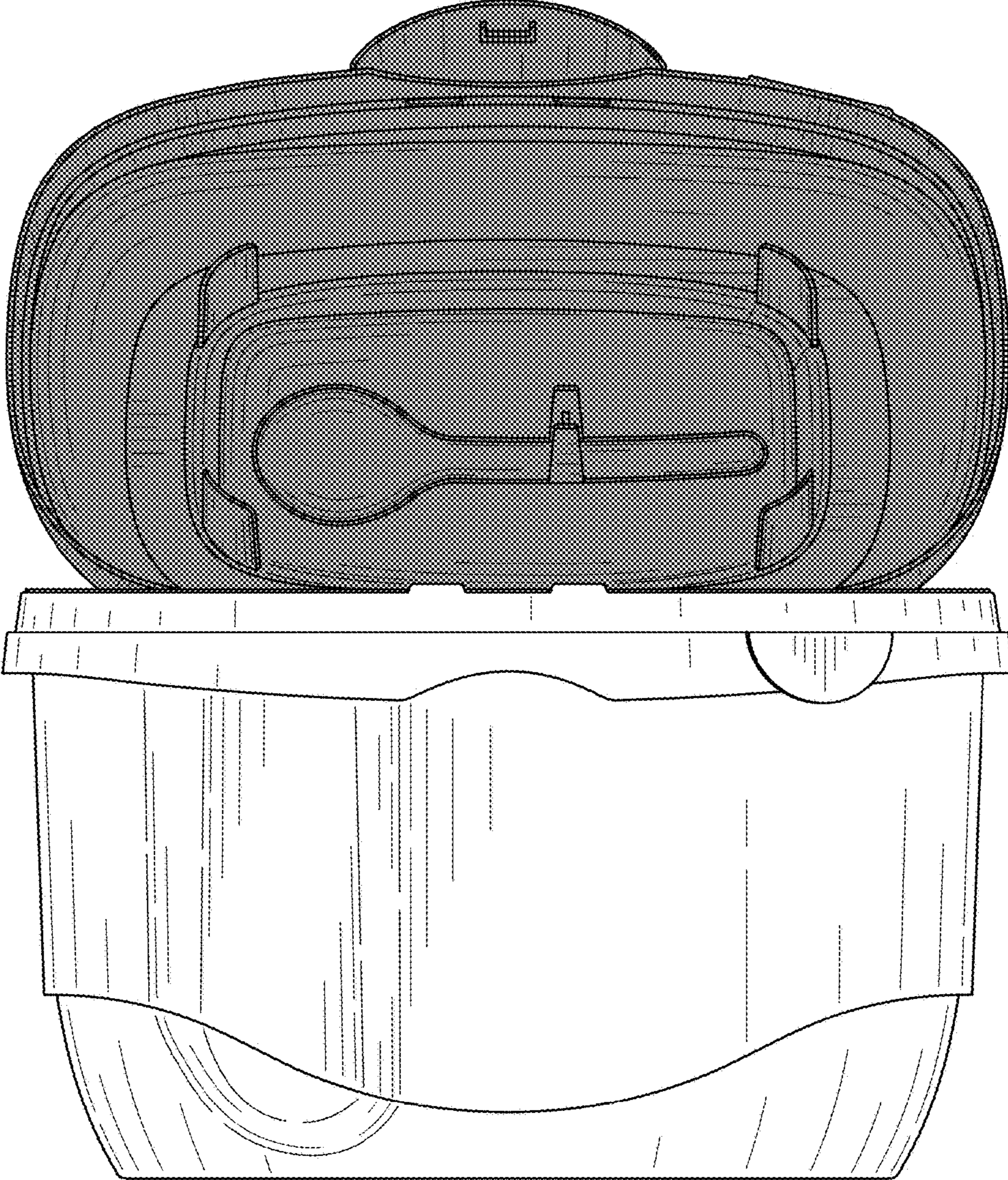


FIG. 11

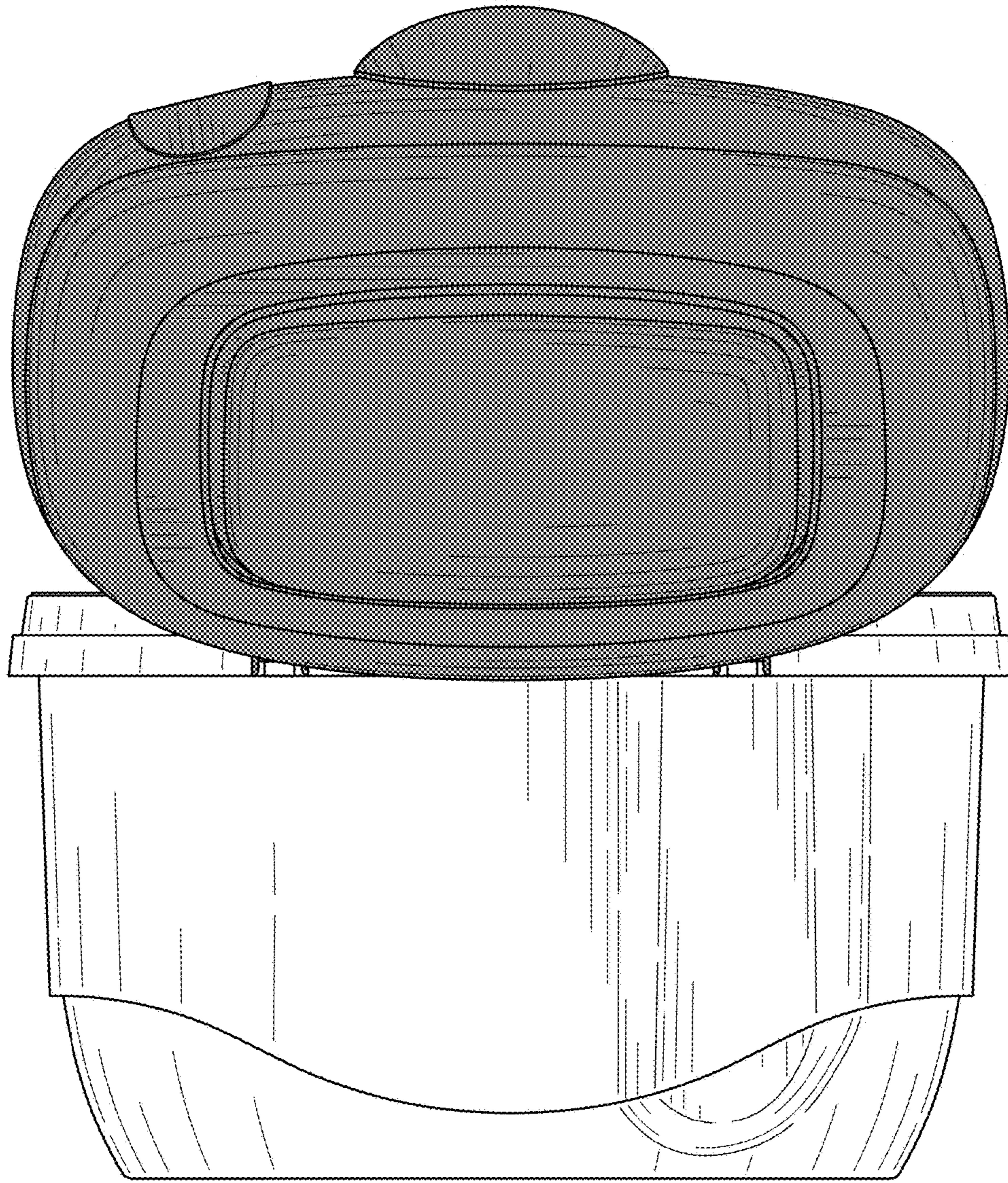


FIG. 12

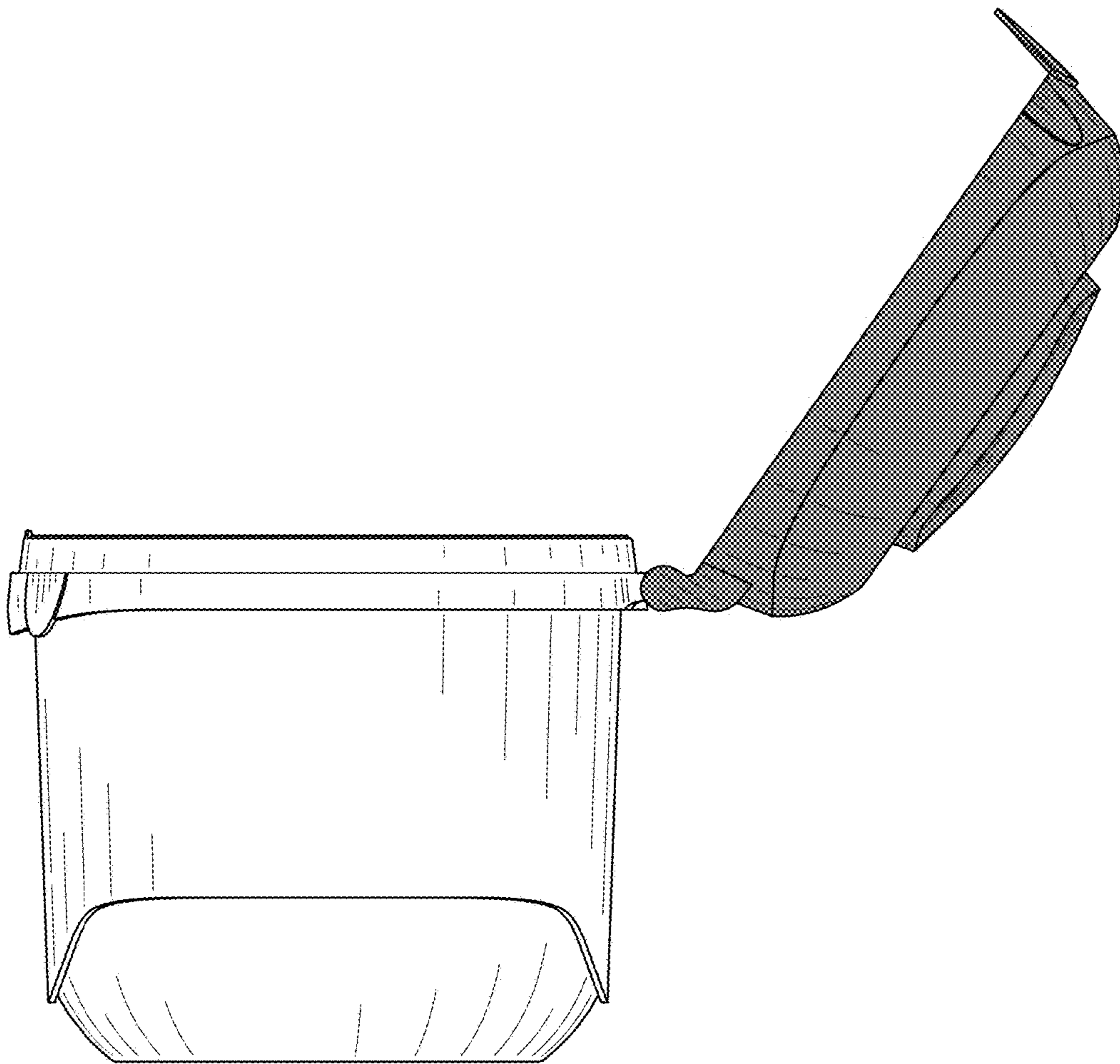


FIG. 13

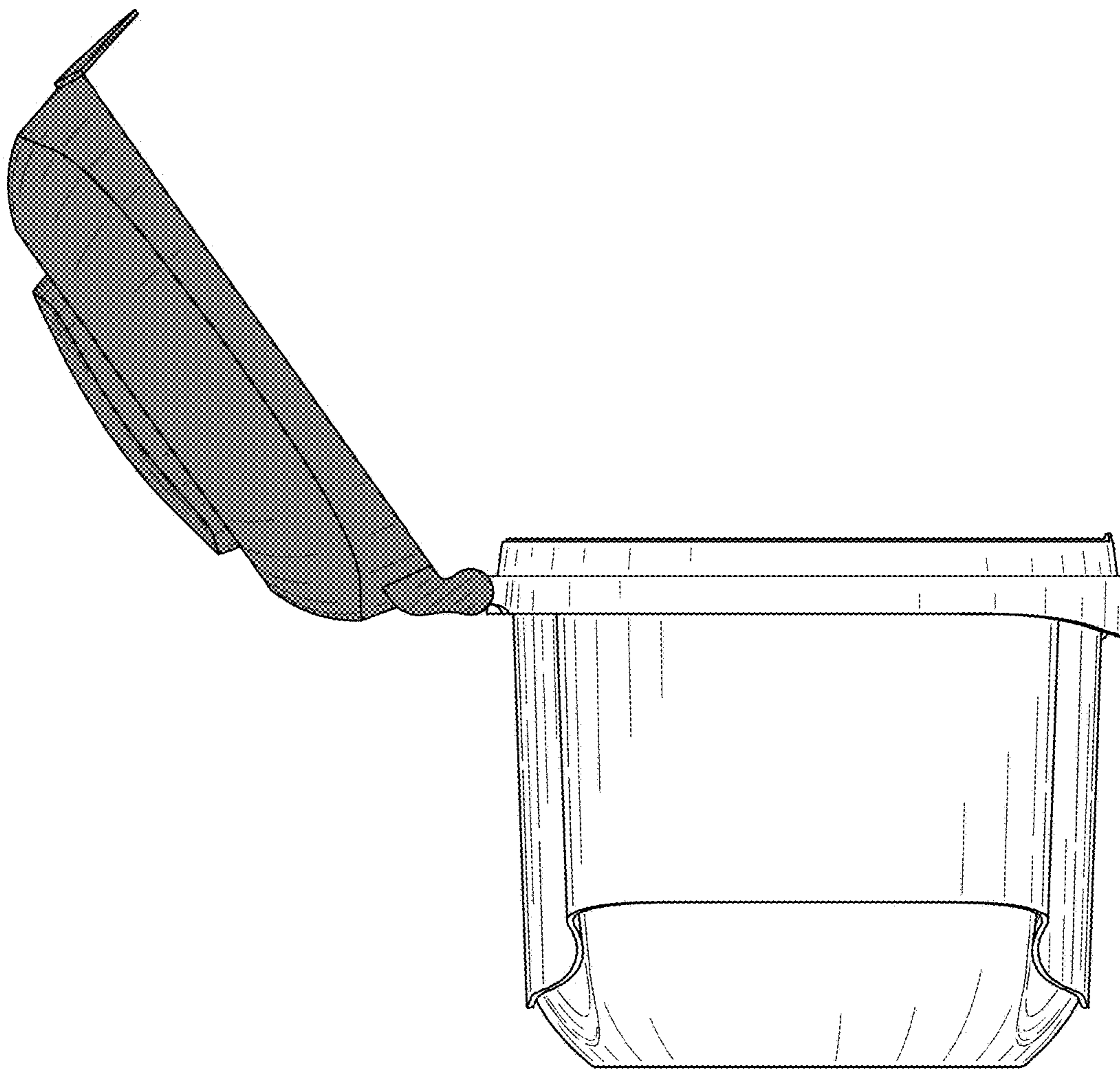


FIG. 14

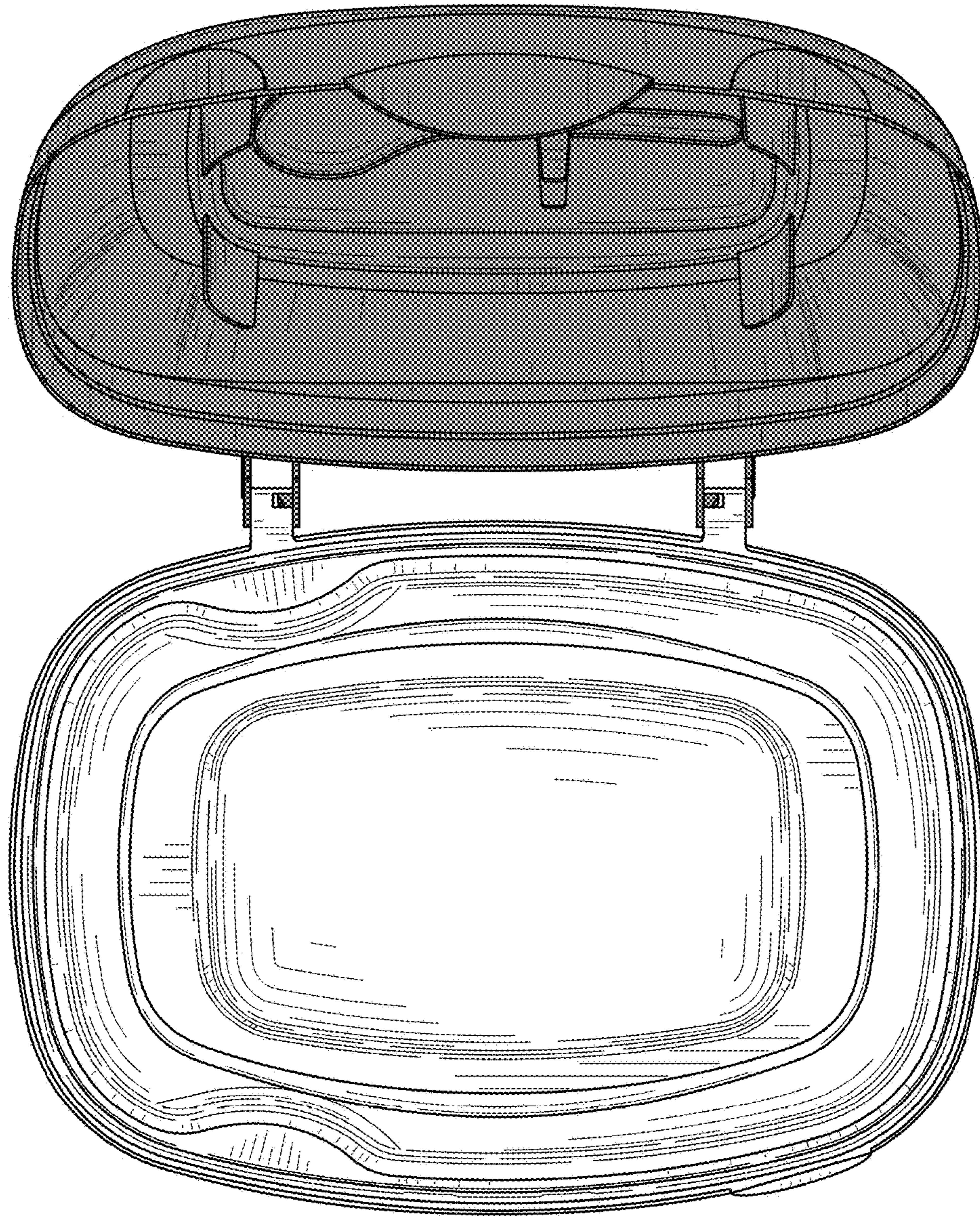


FIG. 15

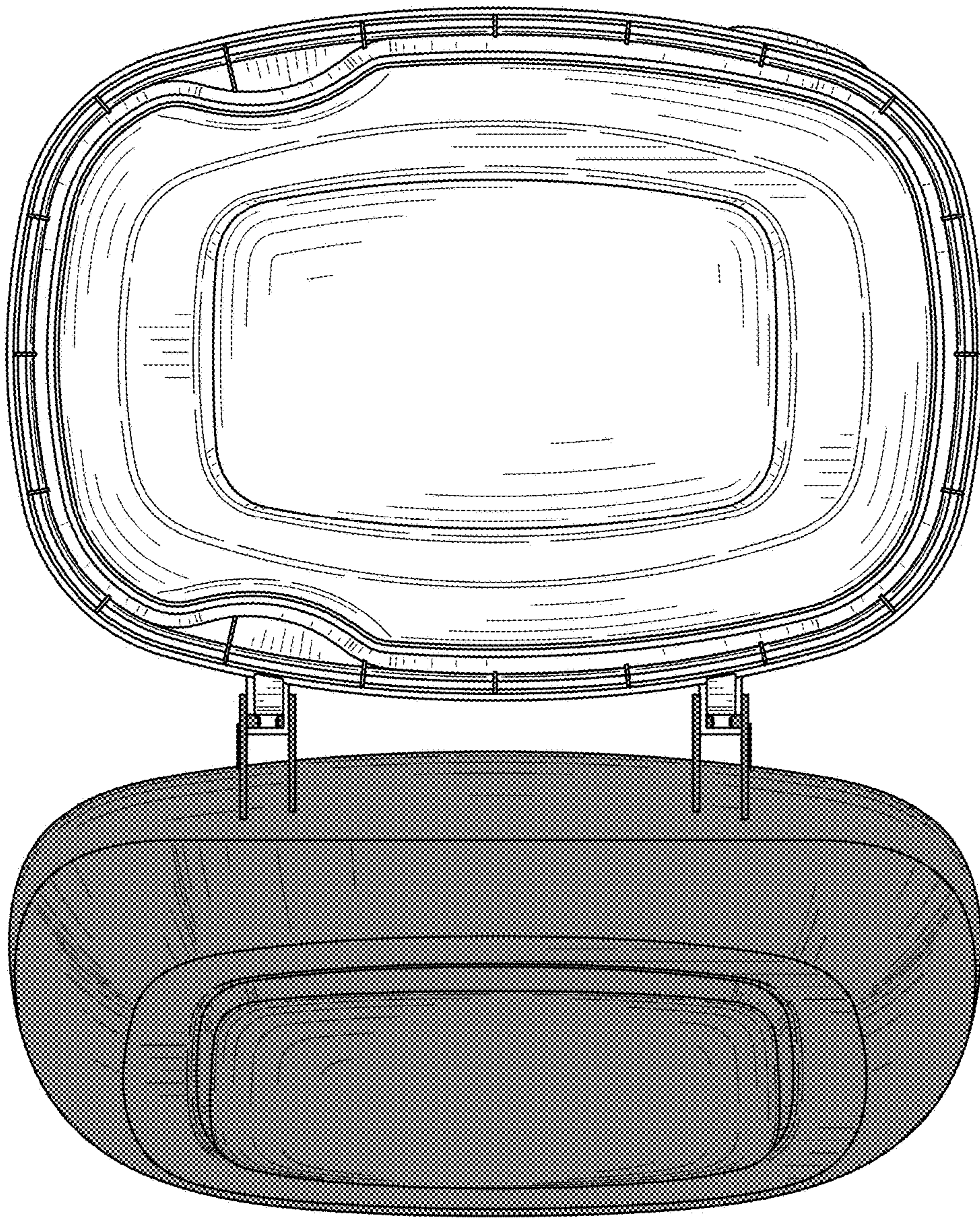


FIG. 16

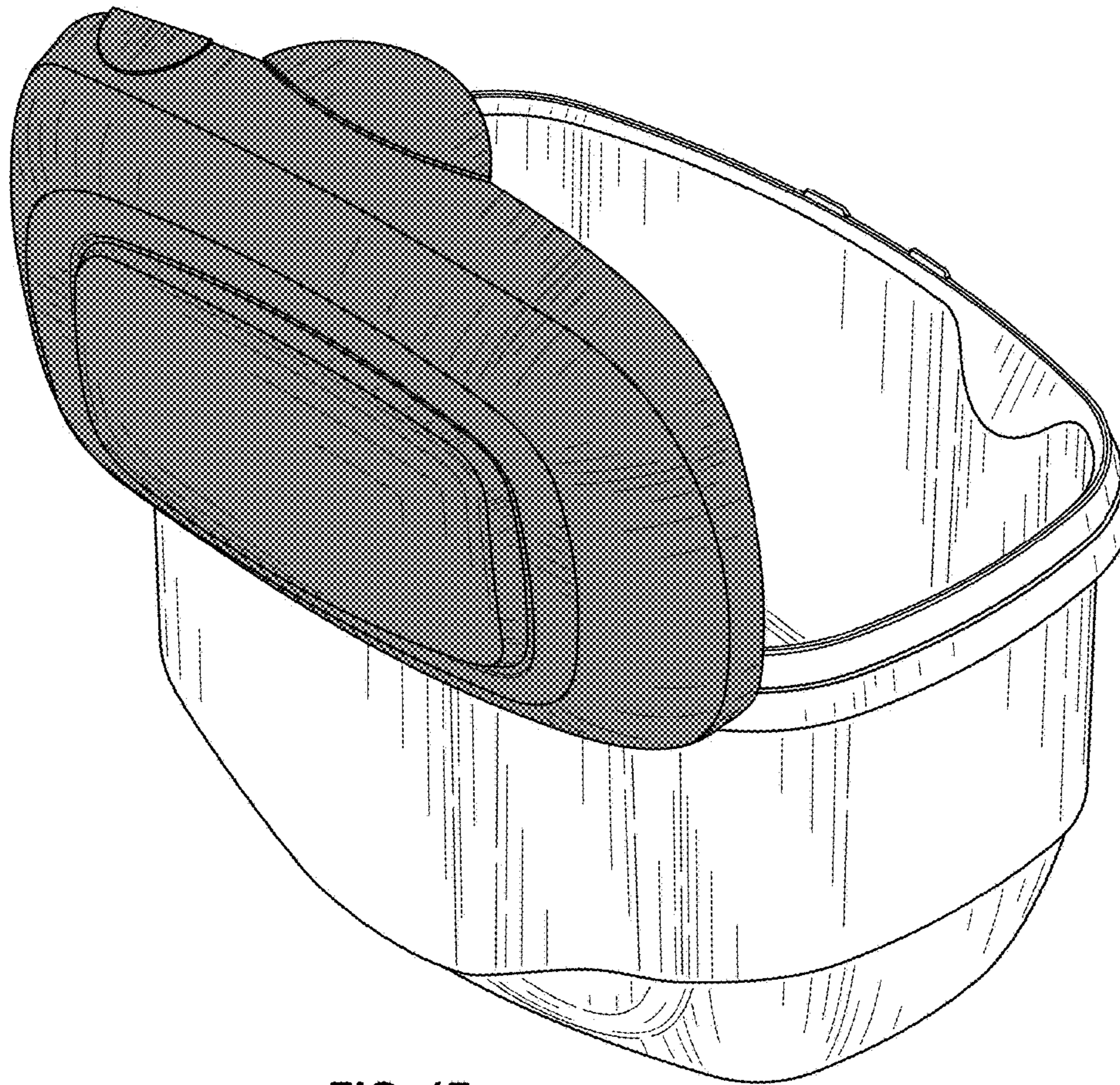


FIG. 17