



US00D835983S

(12) **United States Design Patent**
Cacciatore

(10) **Patent No.:** **US D835,983 S**
(45) **Date of Patent:** **** Dec. 18, 2018**

(54) **3D GIFT CARD BOX**
(71) Applicant: **Sabrina Cacciatore**, Bilstain (BE)
(72) Inventor: **Sabrina Cacciatore**, Bilstain (BE)
(**) Term: **15 Years**
(21) Appl. No.: **29/567,542**
(22) Filed: **Jun. 9, 2016**

D280,952 S * 10/1985 Kirchner D19/76
D319,079 S * 8/1991 Cunningham D21/393
5,513,746 A * 5/1996 Anderson A47F 3/145
206/232
D455,957 S * 4/2002 Sisinni D9/423
D464,568 S * 10/2002 Sisinni D9/423
D536,245 S * 2/2007 Bruun D9/422
D568,765 S * 5/2008 Miles D9/737
D589,798 S * 4/2009 Liipola D9/456
D643,306 S * 8/2011 Martinez D9/721
D682,680 S * 5/2013 Terlesky D9/432

(Continued)

(30) **Foreign Application Priority Data**

May 19, 2016 (WO) 967535901

(51) **LOC (11) Cl.** **09-03**
(52) **U.S. Cl.**
USPC **D9/420**

(58) **Field of Classification Search**
USPC D9/414, 415, 420, 423, 427, 432, 455,
D9/457, 499, 725, 721, 737, 749;
D3/201; 206/216, 223, 471, 467, 514,
206/557, 736, 745
CPC ... B65D 5/00; B65D 5/52; B65D 5/70; B65D
5/0015; B65D 5/005; B65D 5/0065;
B65D 5/0085; B65D 5/009; B65D 77/00;
B65D 79/00; G09F 5/00; G09F 5/04;
G09F 23/00; G09F 1/00; G09F 1/06;
G09F 1/10
See application file for complete search history.

(56) **References Cited**

U.S. PATENT DOCUMENTS

1,909,474 A * 5/1933 Keppler B65D 5/5206
206/45.29
2,631,915 A * 3/1953 Wintersteen A47F 3/004
206/216
3,812,957 A * 5/1974 Forbes, Jr. B65D 5/02
206/216
3,924,734 A * 12/1975 Gardner B65D 5/0005
206/561
D244,833 S * 6/1977 Persson D9/423

FOREIGN PATENT DOCUMENTS

FR 2893309 A1 * 5/2007 B65D 5/5021
WO WO-2015088077 A1 * 6/2015 B65D 5/6664

Primary Examiner — Wan Laymon
Assistant Examiner — Clint A Samuel
(74) *Attorney, Agent, or Firm* — Symbus Law Group,
LLC; Clifford D. Hyra

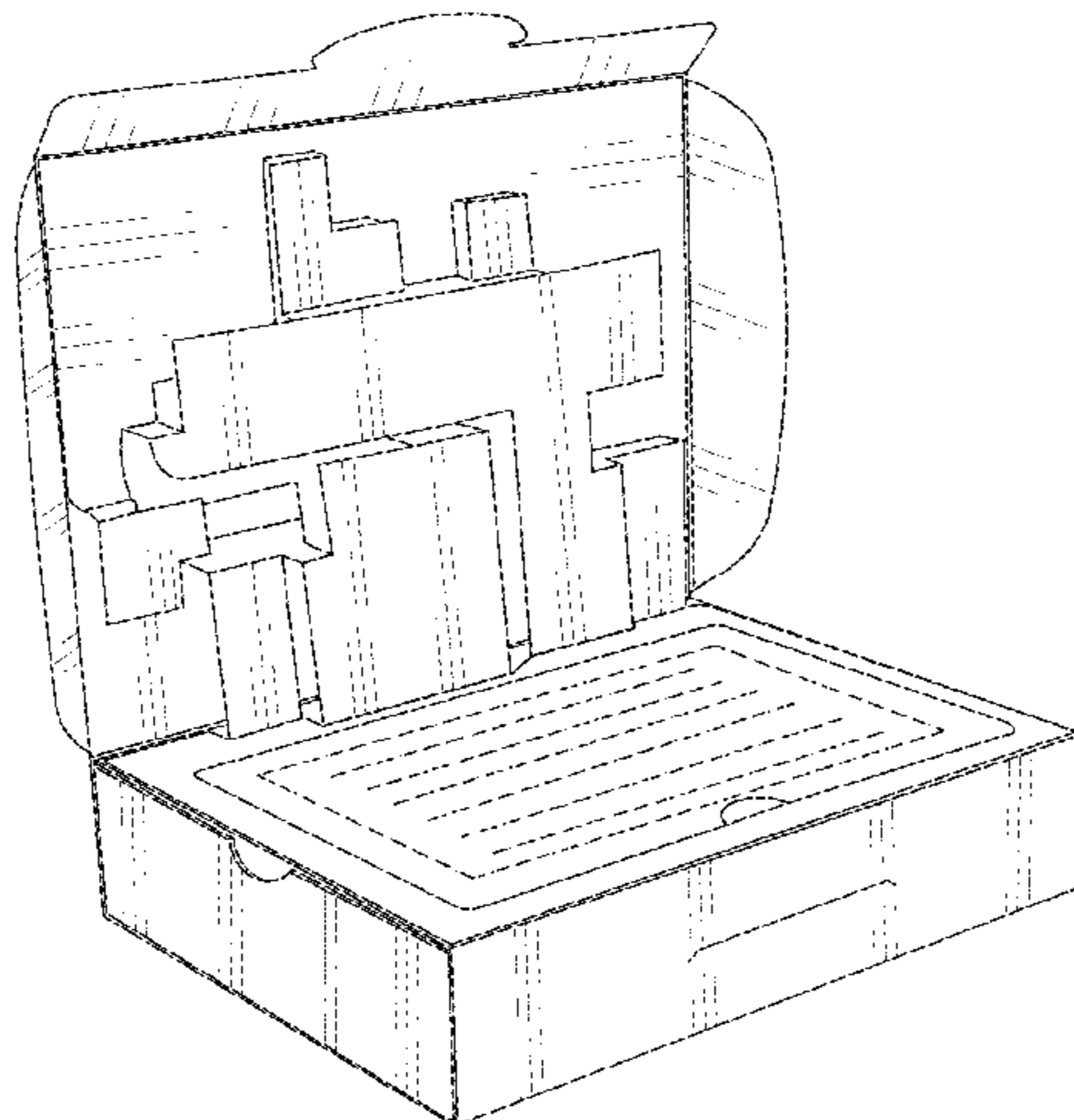
(57) **CLAIM**

The ornamental design for a 3D gift card box, as shown and described.

DESCRIPTION

FIG. 1 is a front plan view of a 3D gift card box.
FIG. 2 is a rear view thereof.
FIG. 3 is a left side view thereof.
FIG. 4 is a right side view thereof.
FIG. 5 is a top view thereof.
FIG. 6 is a bottom view thereof.
FIG. 7 is a perspective view thereof, showing the front and left sides.
FIG. 8 is a perspective view thereof, showing the front and left sides, with the drawer partially removed; and,
FIG. 9 is a perspective view thereof, showing the front and left sides, with the postcard removed.
The broken lines are environmental structure and form no part of the claimed design.

1 Claim, 9 Drawing Sheets



(56)

References Cited

U.S. PATENT DOCUMENTS

D701,756	S *	4/2014	Chen	D9/432
D729,061	S *	5/2015	Rotonda	D9/432
D741,165	S *	10/2015	Yassin	D9/414
D747,192	S *	1/2016	Nietert	D9/423
D751,378	S *	3/2016	Solovov, Jr.	D9/414
D751,401	S *	3/2016	Kuo	D9/432
D753,484	S *	4/2016	Lyulyev	D9/432
D757,549	S *	5/2016	Kuo	D9/432
D780,569	S *	3/2017	Bard	D9/420
D780,570	S *	3/2017	Bard	D9/420
D812,463	S *	3/2018	Lee	D9/420
2008/0000118	A1 *	1/2008	Suzuki	G09F 1/06 40/312
2012/0012502	A1 *	1/2012	Young	A45C 11/04 206/736
2017/0144793	A1 *	5/2017	Robertson	B65D 5/0085

* cited by examiner

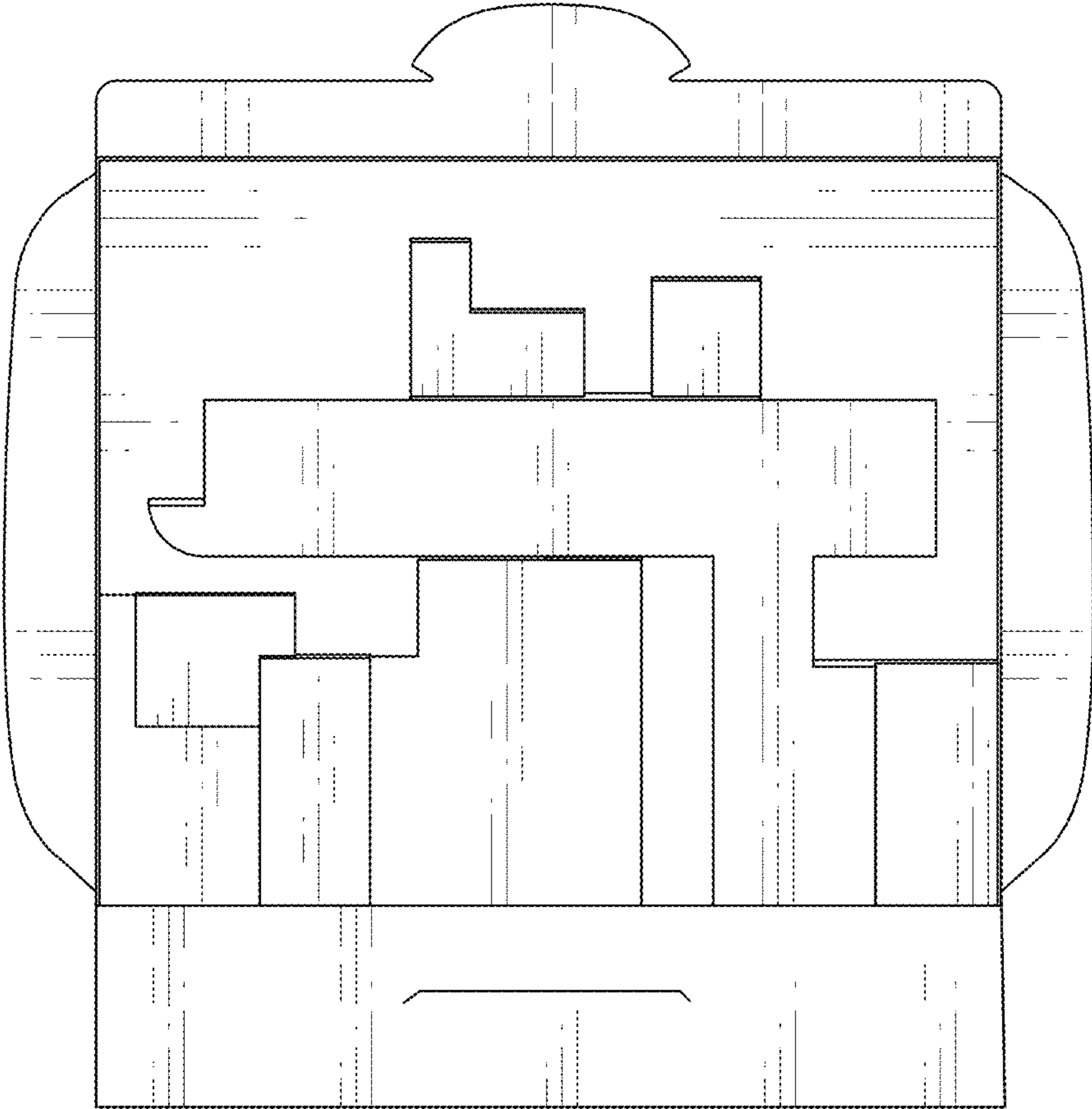


FIG. 1

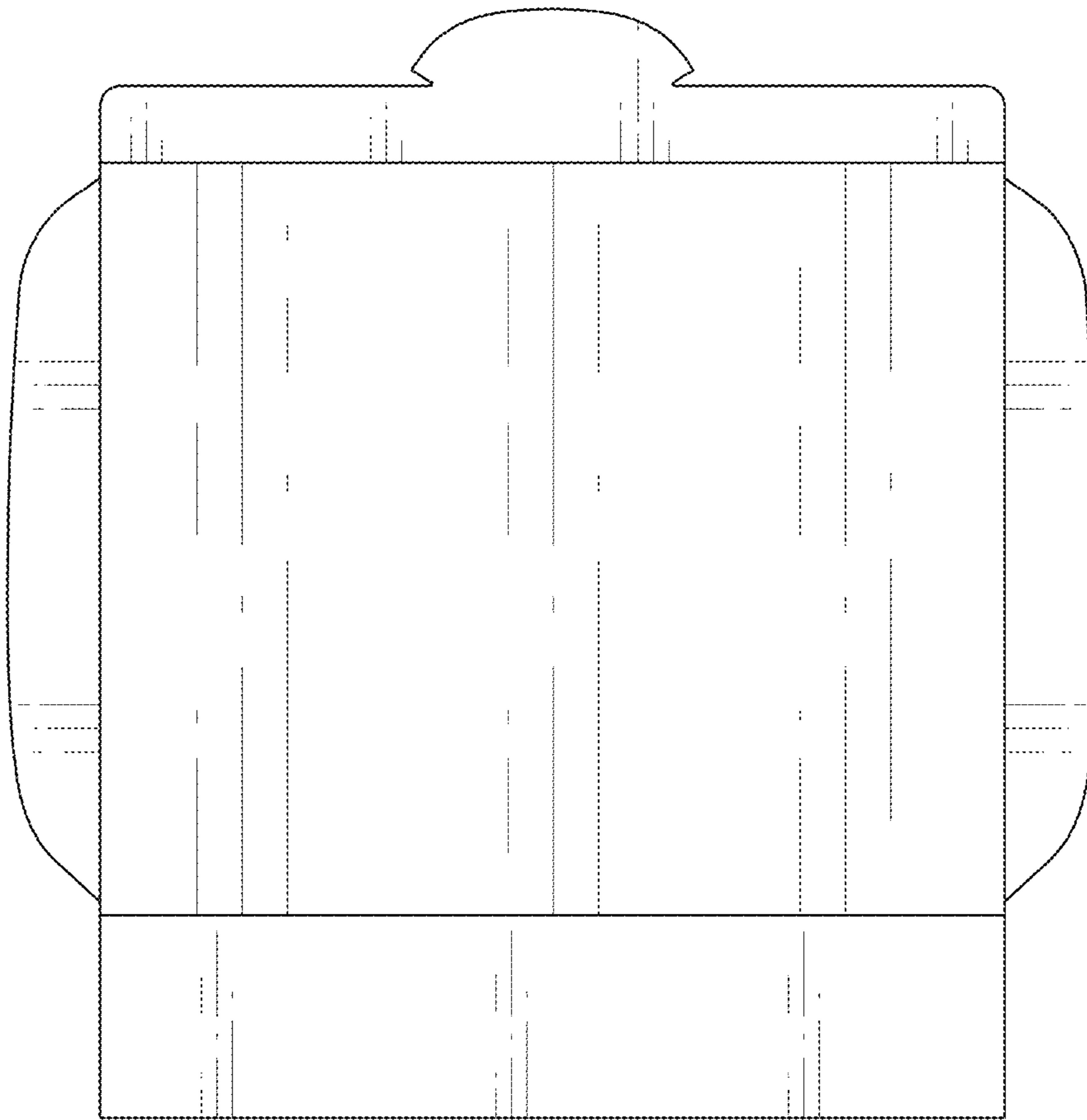


FIG. 2

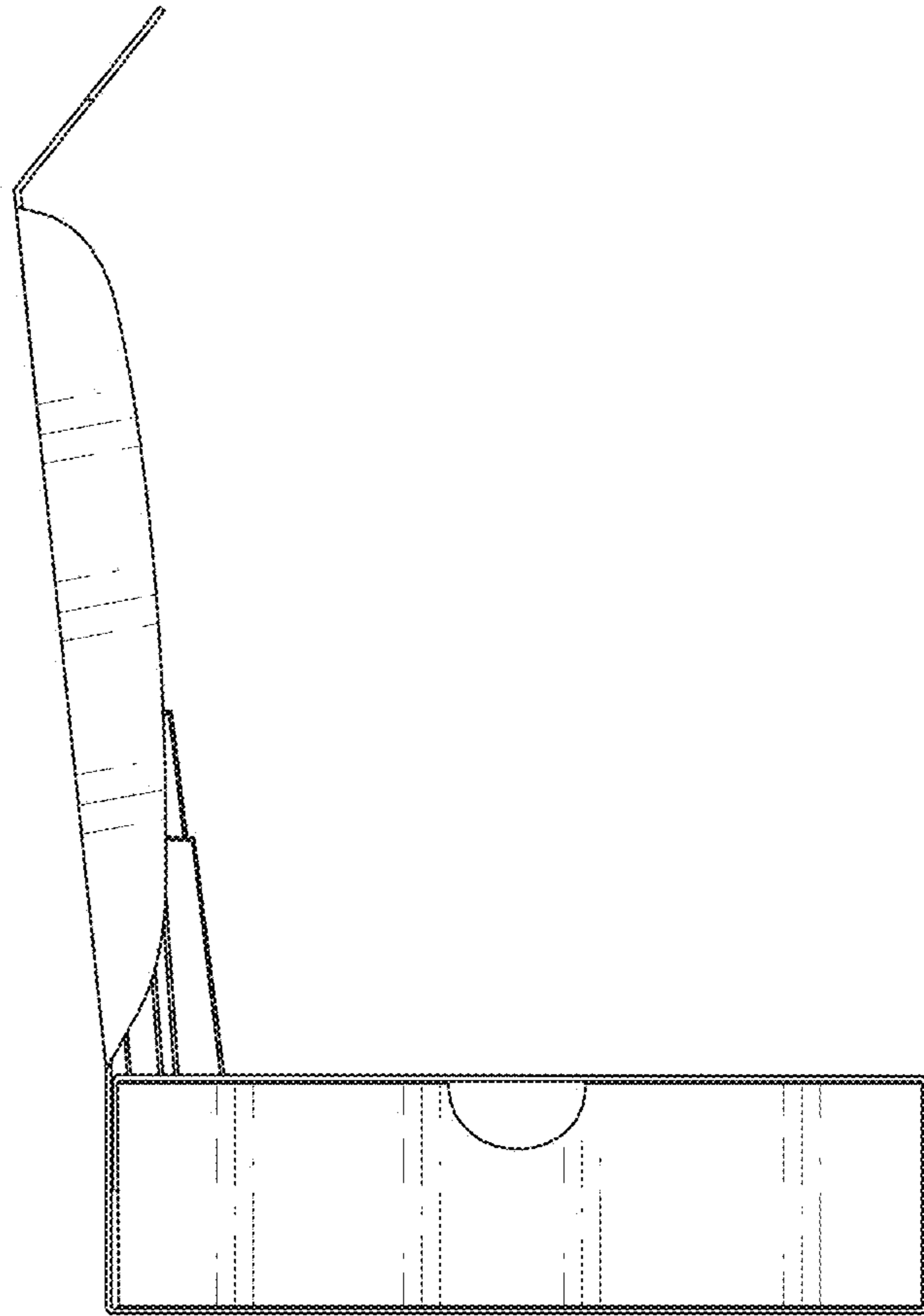


FIG. 3

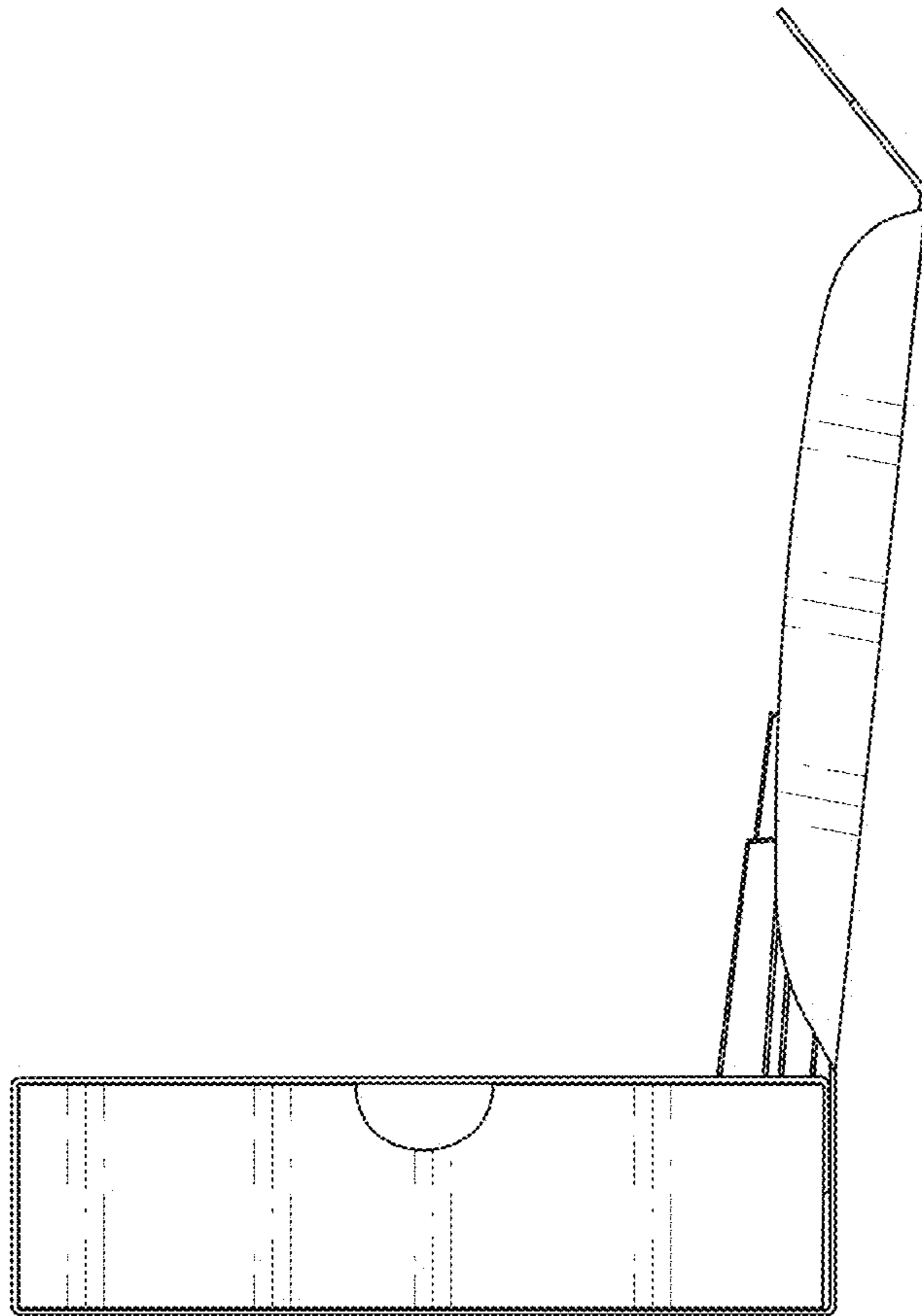


FIG. 4

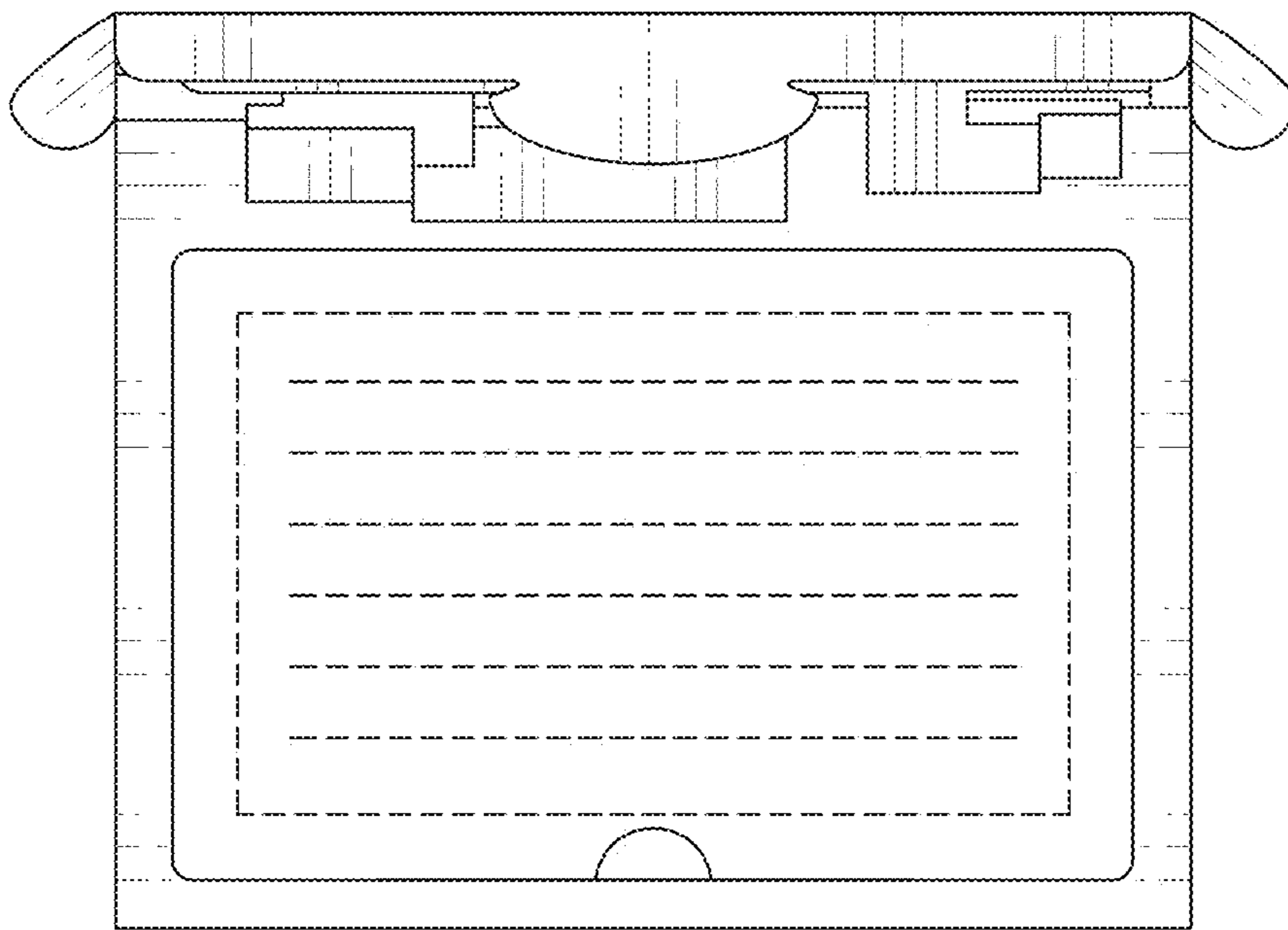


FIG. 5

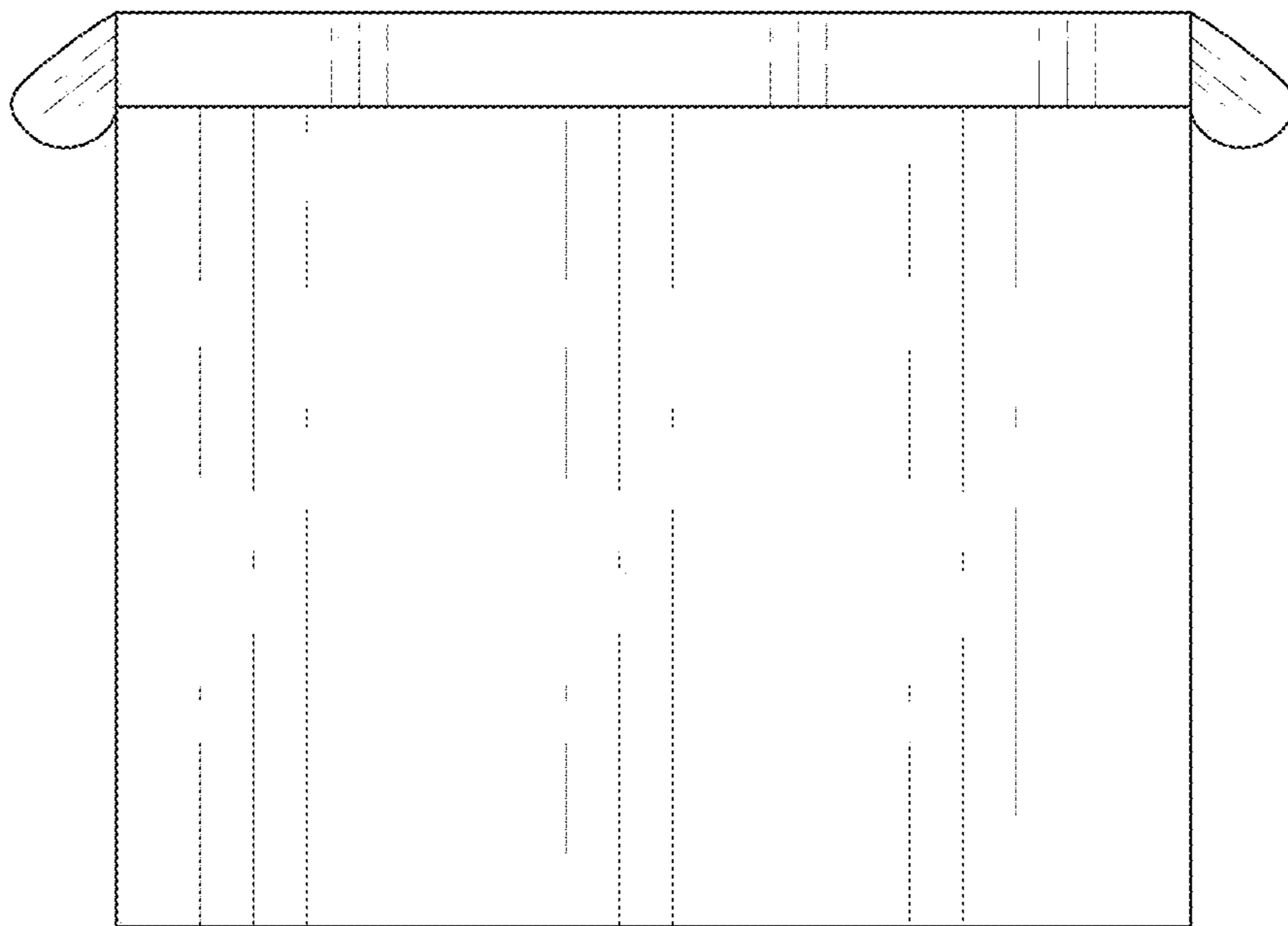


FIG. 6

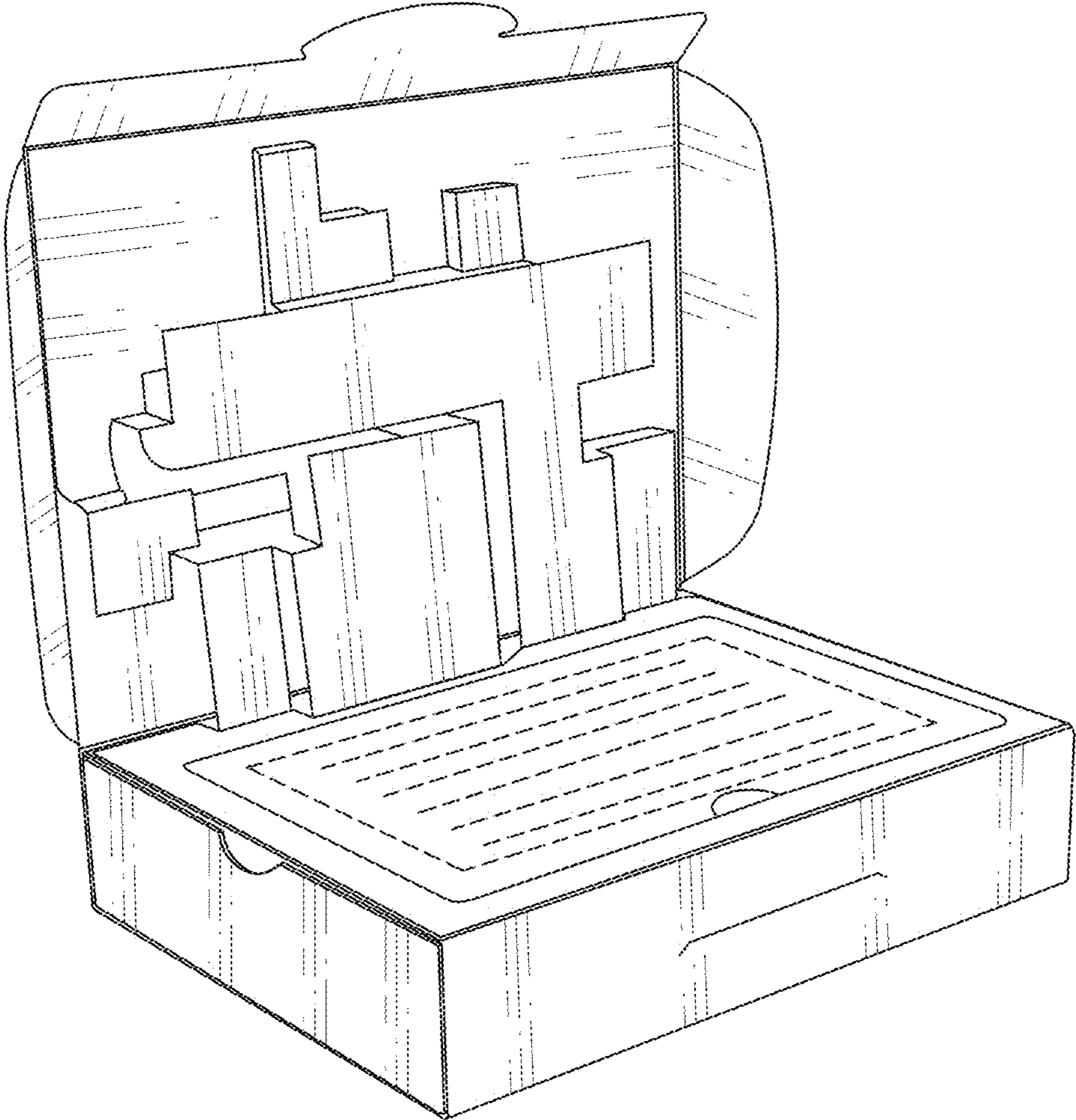


FIG. 7

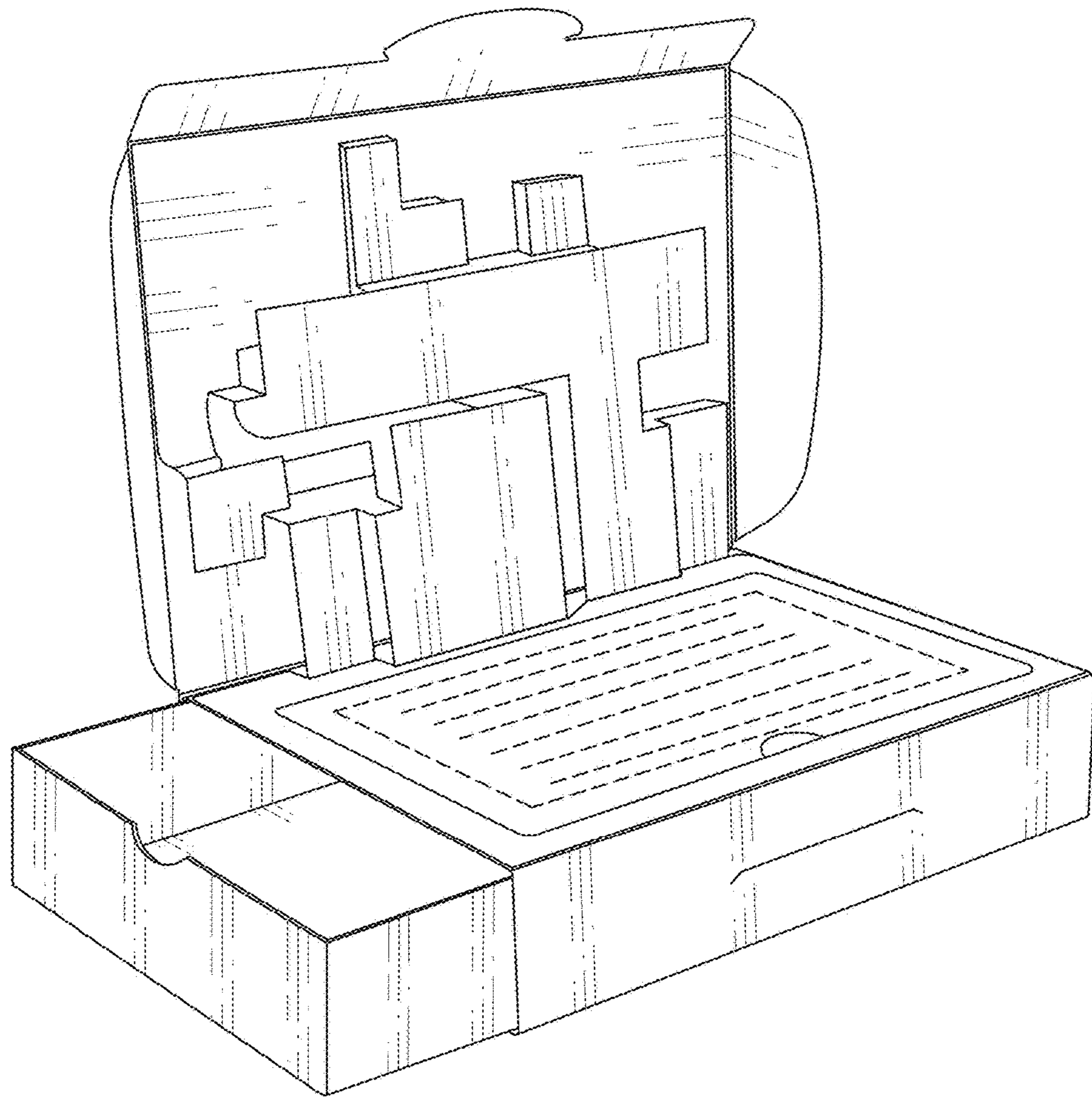


FIG. 8

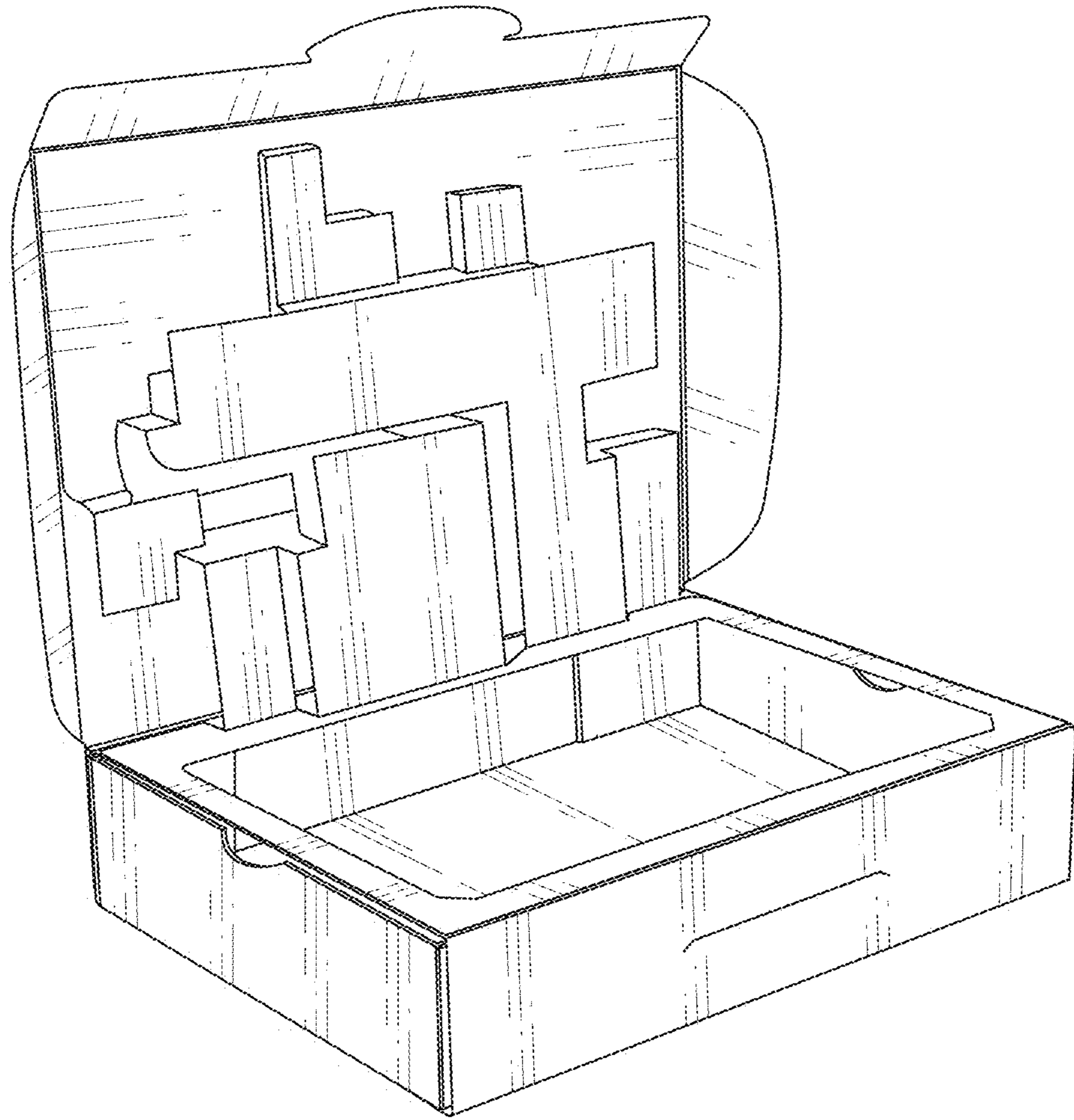


FIG. 9