



US00D835982S

(12) **United States Design Patent** (10) **Patent No.:** **US D835,982 S**
Mayer (45) **Date of Patent:** **** Dec. 18, 2018**

(54) **CLOSEABLE CONTAINER**

(71) Applicant: **Inno-Pak, LLC**, Delaware, OH (US)

(72) Inventor: **Steven A. Mayer**, Indianapolis, IN (US)

(73) Assignee: **Inno-Pak LLC**, Delaware, OH (US)

(**) Term: **15 Years**

(21) Appl. No.: **29/621,179**

(22) Filed: **Oct. 5, 2017**

(51) **LOC (11) Cl.** **09-03**

(52) **U.S. Cl.**
USPC **D9/418**

(58) **Field of Classification Search**
USPC D9/414, 418-422, 431-433, 499;
D7/590, 601, 612; D19/91
(Continued)

(56) **References Cited**

U.S. PATENT DOCUMENTS

5,114,002 A * 5/1992 Warner B65D 5/5007
206/783
D541,149 S * 4/2007 Moorman D9/431
(Continued)

Primary Examiner — Wan Laymon

Assistant Examiner — Clint A Samuel

(74) *Attorney, Agent, or Firm* — Ward and Smith, P.A.;
Ryan K. Simmons

(57) **CLAIM**

The ornamental design for a closeable container, as shown and described.

DESCRIPTION

FIG. 1 is a front right perspective view of a closeable container showing a new design, the front left perspective view being a mirror image;

FIG. 2 is a front elevation view thereof;
FIG. 3 is a rear elevation view thereof;
FIG. 4 is a left side elevation view thereof, the right side being a mirror image;
FIG. 5 is a top plan view thereof;
FIG. 6 is a bottom plan view thereof;
FIG. 7 is a front right perspective view of the closeable container of FIG. 1 in a partially opened configuration, the front left perspective view being a mirror image;
FIG. 8 is a plan view, showing the closeable container of FIG. 1 in a blank configuration;
FIG. 9 is a front right perspective view of the closeable container of FIG. 1 showing an alternate embodiment thereof, the front left perspective view being a mirror image;
FIG. 10 is a left side elevation view thereof, the right side being a mirror image;
FIG. 11 is a front right perspective view of the closeable container of FIG. 9 in a partially opened configuration, the front left perspective view being a mirror image;
FIG. 12 is a plan view, showing the closeable container of FIG. 9 in a blank configuration;
FIG. 13 is a front right perspective view of the closeable container of FIG. 1 showing an alternate embodiment thereof having a perforated window cover, the front left perspective view being a mirror image;
FIG. 14 is a front elevation view thereof;
FIG. 15 is a rear elevation view thereof;
FIG. 16 is a left side elevation view thereof, the right side being a mirror image;
FIG. 17 is a top plan view thereof;
FIG. 18 is a bottom plan view thereof;
FIG. 19 is a front right perspective view of the closeable container of FIG. 13 in a partially opened configuration, the front left perspective view being a mirror image;
FIG. 20 is a plan view, showing the closeable container of FIG. 13 in a blank configuration;
FIG. 21 is a front right perspective view of the closeable container of FIG. 13 in a partially open configuration showing an alternate configuration with the perforated window cover removed and inserted as a divider in the interior of the carton, the front left perspective view being a mirror image;
FIG. 22 is a top view thereof in a closed configuration;

(Continued)

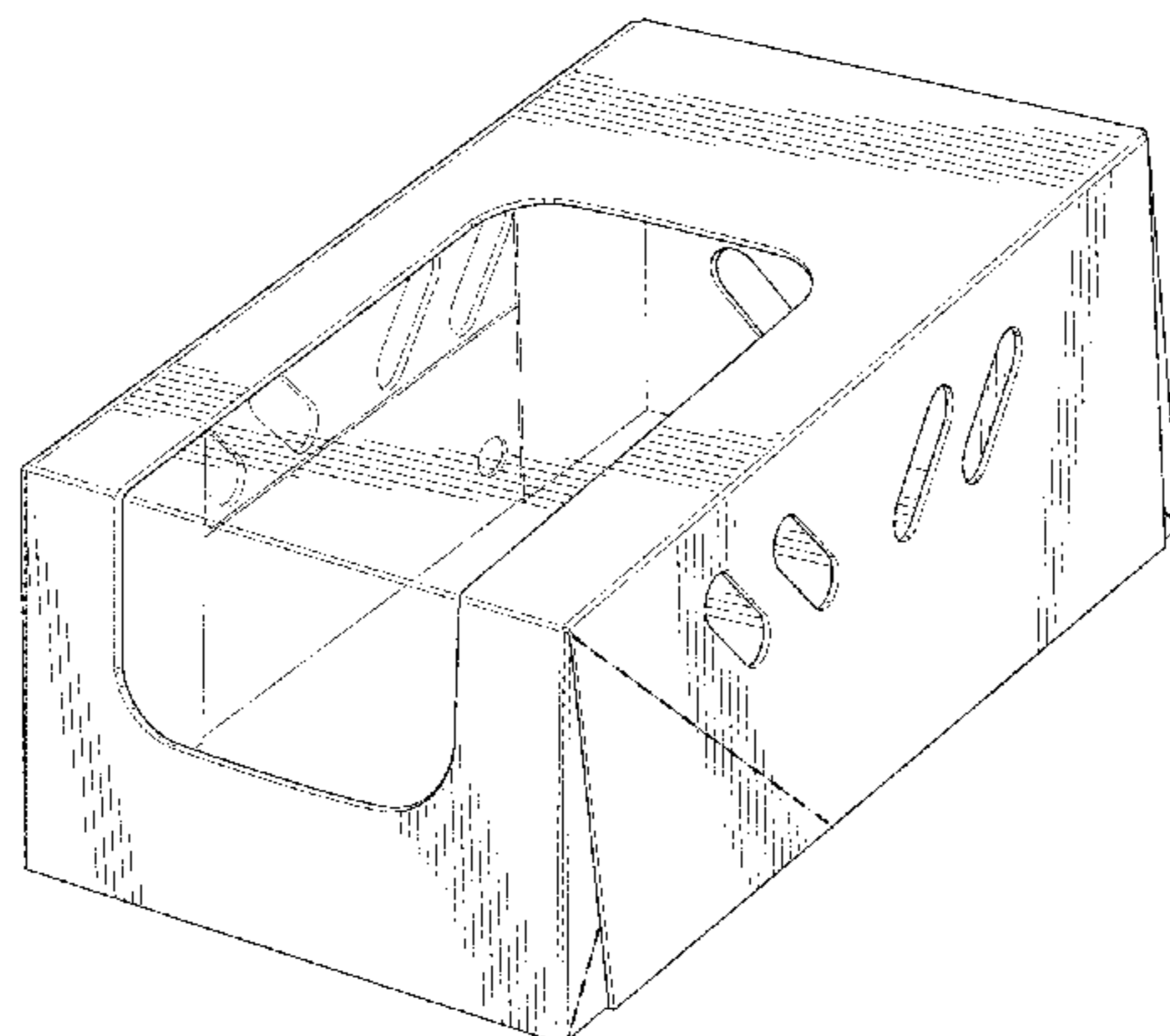


FIG. 23 is a top view thereof in a fully opened configuration;
 FIG. 24 is a right side elevation view thereof in a fully opened configuration, the left side being a mirror image;
 FIG. 25 is a rear right perspective view thereof in a partially opened configuration, the rear left perspective view being a mirror image;
 FIG. 26 is a front right perspective view of the closeable container of FIG. 13 in a partially open configuration showing another alternate configuration with the perforated window cover removed and inserted as a divider in the interior of the carton, the front left perspective view being a mirror image;
 FIG. 27 is a top view thereof in a closed configuration;
 FIG. 28 is a top view thereof in a fully opened configuration;
 FIG. 29 is a right side elevation view thereof in a fully opened configuration, the left side being a mirror image;
 FIG. 30 is a rear right perspective view thereof in a partially opened configuration, the rear left perspective view being a mirror image;
 FIG. 31 is a front right perspective view of the closeable container of FIG. 13 in a partially open configuration showing yet another alternate configuration with the perforated window cover removed and inserted as a divider in the interior of the carton, the front left perspective view being a mirror image;
 FIG. 32 is a top view thereof in a closed configuration;
 FIG. 33 is a top view thereof in a fully opened configuration;
 FIG. 34 is a rear right perspective view thereof in a partially opened configuration, the rear left perspective view being a mirror image;
 FIG. 35 is a front right perspective view of the closeable container of FIG. 9 showing an alternate embodiment thereof having a perforated window cover, the front left perspective view being a mirror image;
 FIG. 36 is a left side elevation view thereof, the right side being a mirror image;
 FIG. 37 is a front right perspective view of the closeable container of FIG. 35 in a partially opened configuration, the front left perspective view being a mirror image;
 FIG. 38 is a plan view, showing the closeable container of FIG. 35 in a blank configuration;
 FIG. 39 is a front right perspective view of the closeable container of FIG. 35 in a partially open configuration

showing an alternate configuration with the perforated window cover removed and inserted as a divider in the interior of the carton, the front left perspective view being a mirror image;
 FIG. 40 is a top view thereof in a closed configuration;
 FIG. 41 is a top view thereof in a fully opened configuration;
 FIG. 42 is a front right perspective view of the closeable container of FIG. 35 in a partially open configuration showing another alternate configuration with the perforated window cover removed and inserted as a divider in the interior of the carton, the front left perspective view being a mirror image;
 FIG. 43 is a top view thereof in a closed configuration;
 FIG. 44 is a top view thereof in a fully opened configuration;
 FIG. 45 is a front right perspective view of the closeable container of FIG. 35 in a partially open configuration showing yet another alternate configuration with the perforated window cover removed and inserted as a divider in the interior of the carton, the front left perspective view being a mirror image;
 FIG. 46 is a top view thereof in a closed configuration; and,
 FIG. 47 is a top view thereof in a fully opened configuration.

1 Claim, 45 Drawing Sheets

(58) **Field of Classification Search**

CPC B65D 5/16; B65D 5/4204; B65D 5/5007;
 B65D 5/5206; B65D 1/00; B65D 1/22;
 B65D 1/225; A47F 7/03; A47F 7/145
 See application file for complete search history.

(56)

References Cited

U.S. PATENT DOCUMENTS

D738,202	S	*	9/2015	Stone	D9/418
D764,280	S	*	8/2016	Carnu	D9/423
D771,486	S	*	11/2016	Mayer	D9/418
D772,053	S	*	11/2016	Mayer	D9/418
D787,933	S	*	5/2017	Sill	D9/418
D789,783	S	*	6/2017	DeBusk	D9/418
D816,480	S	*	5/2018	Sill	D9/418
D822,480	S	*	7/2018	Rivera	D9/418

* cited by examiner

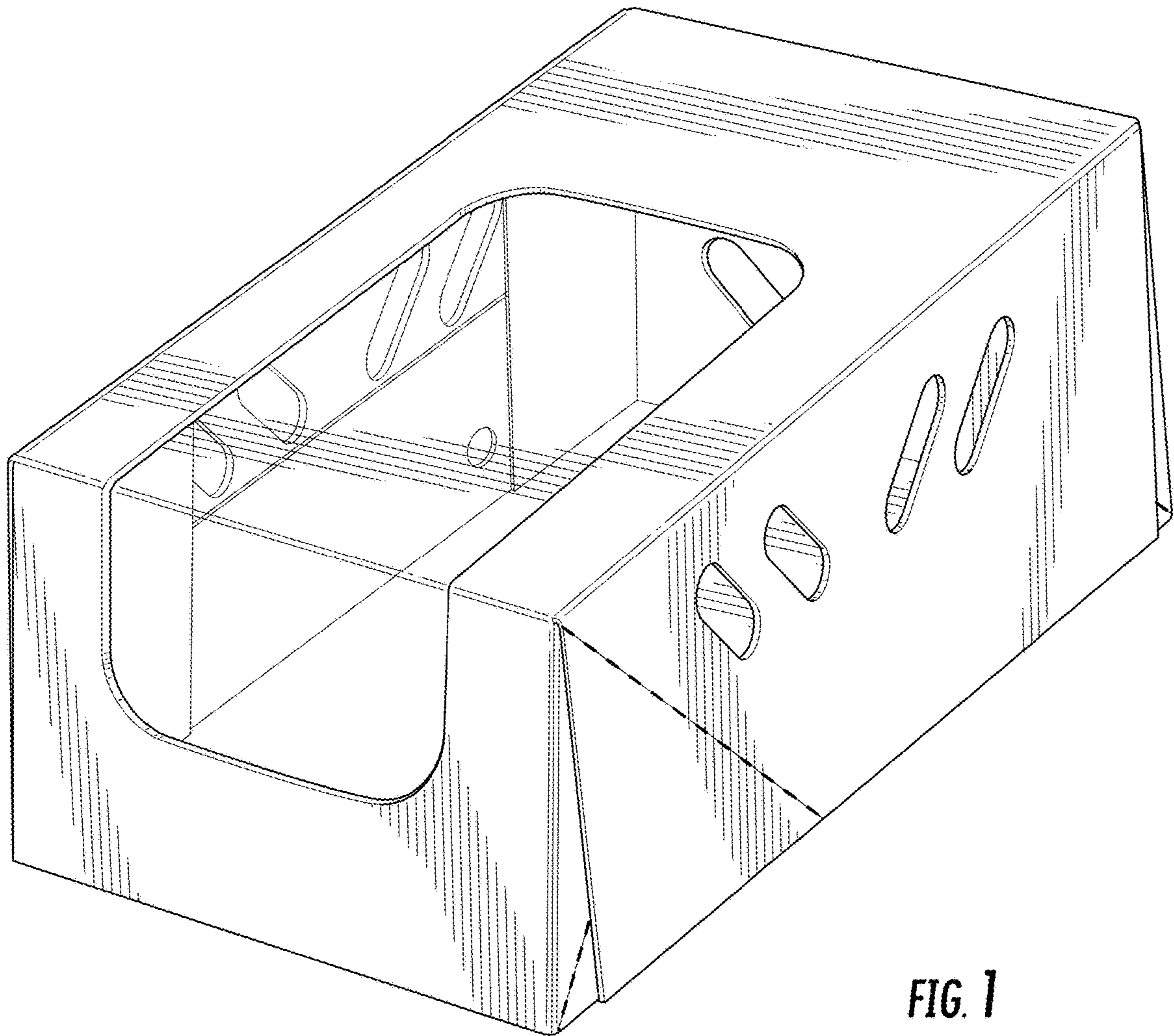


FIG. 1

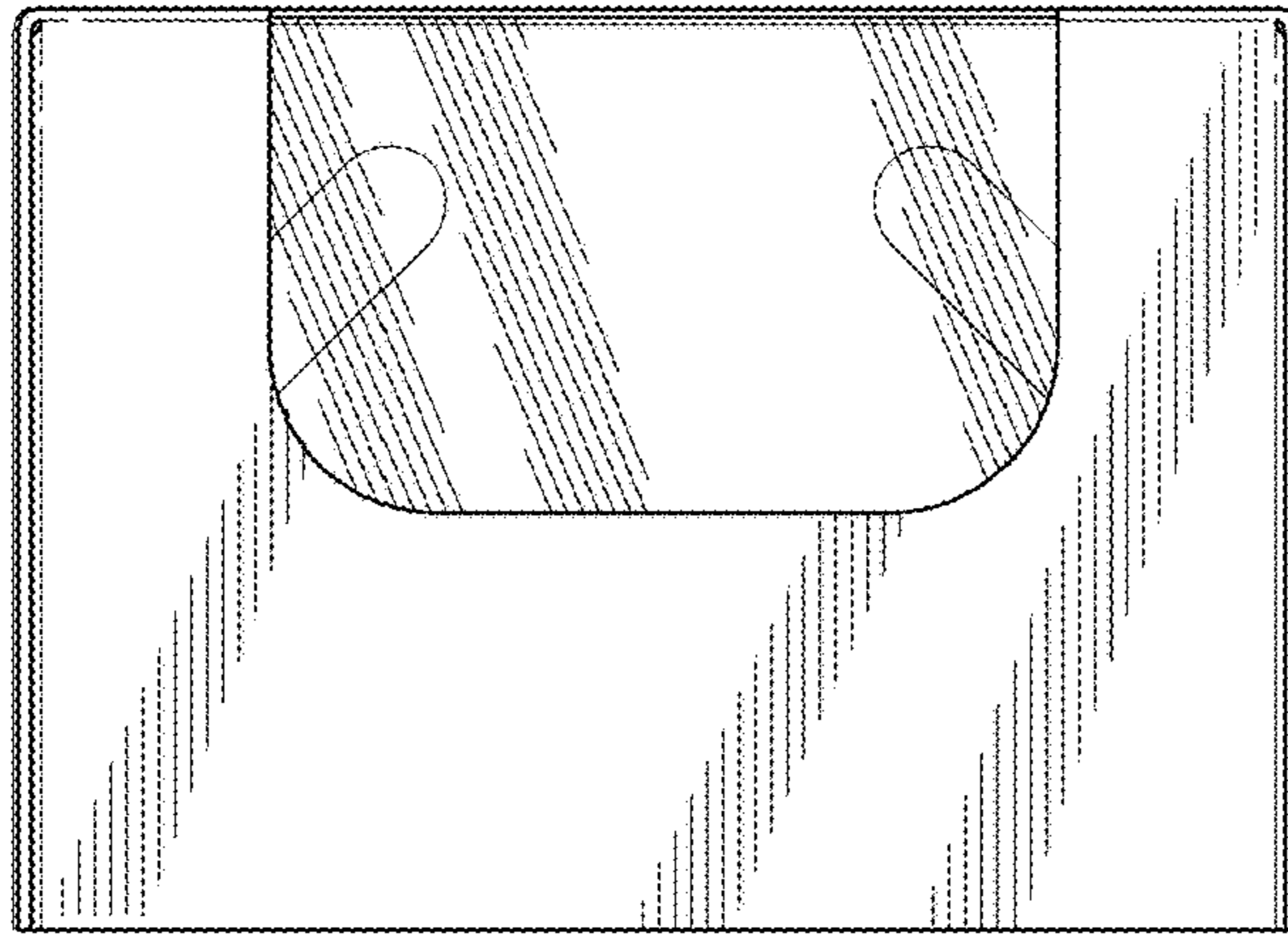


FIG. 2

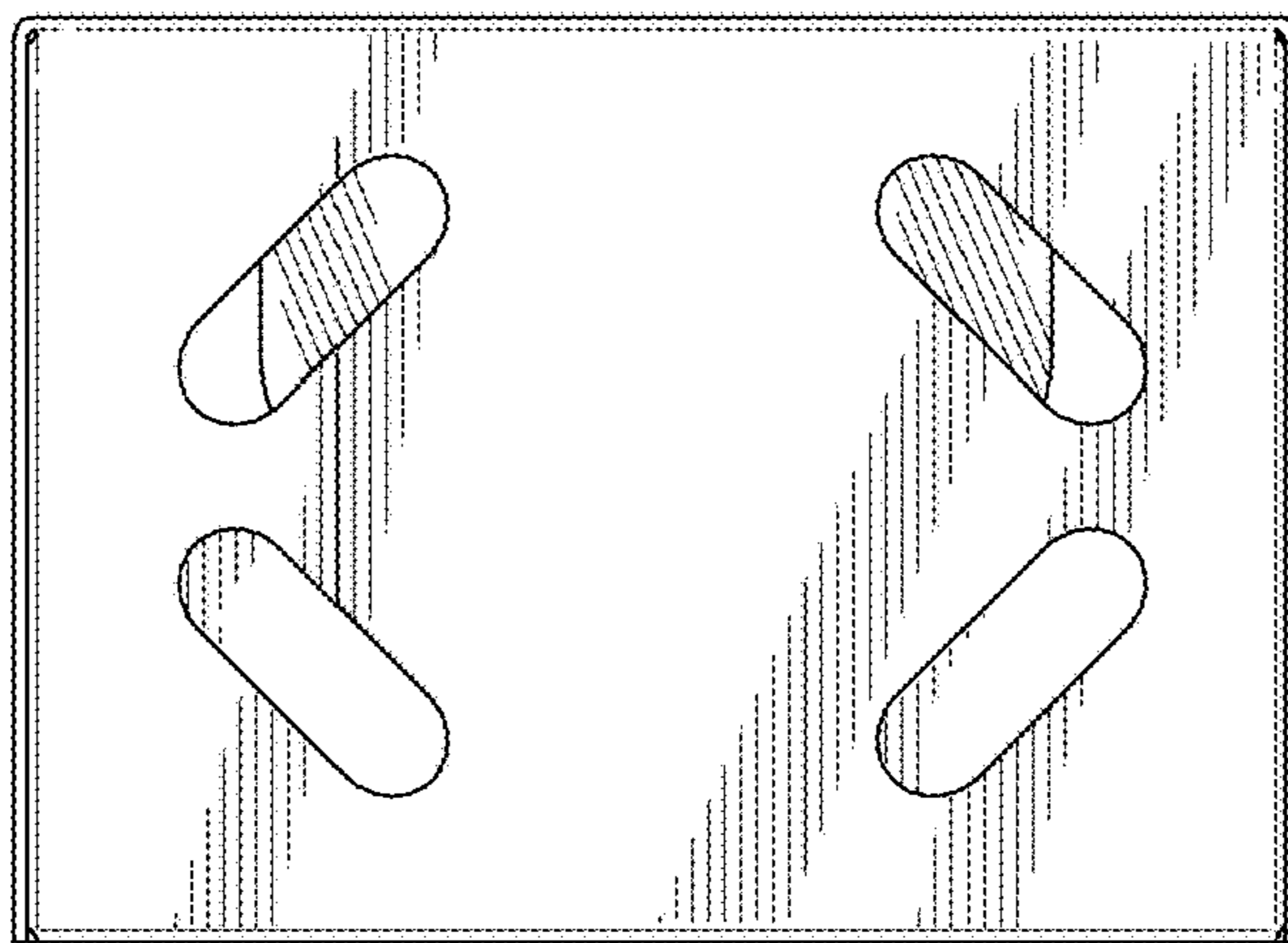


FIG. 3

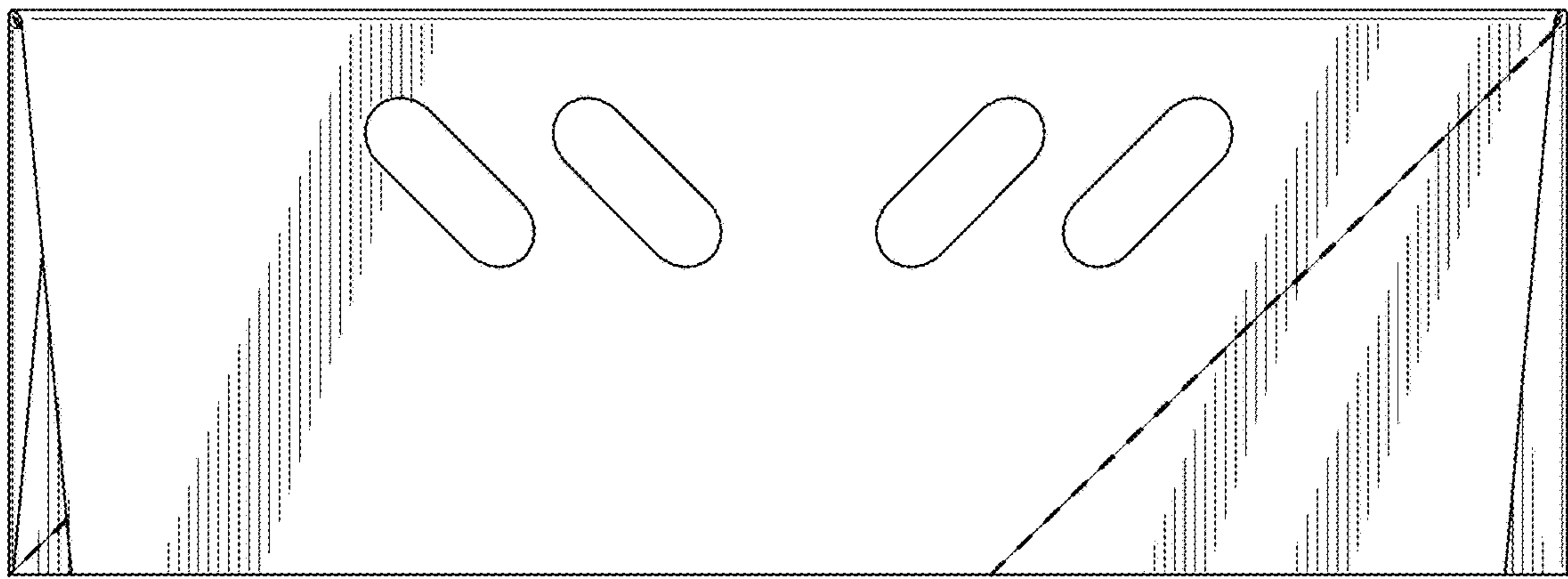


FIG. 4

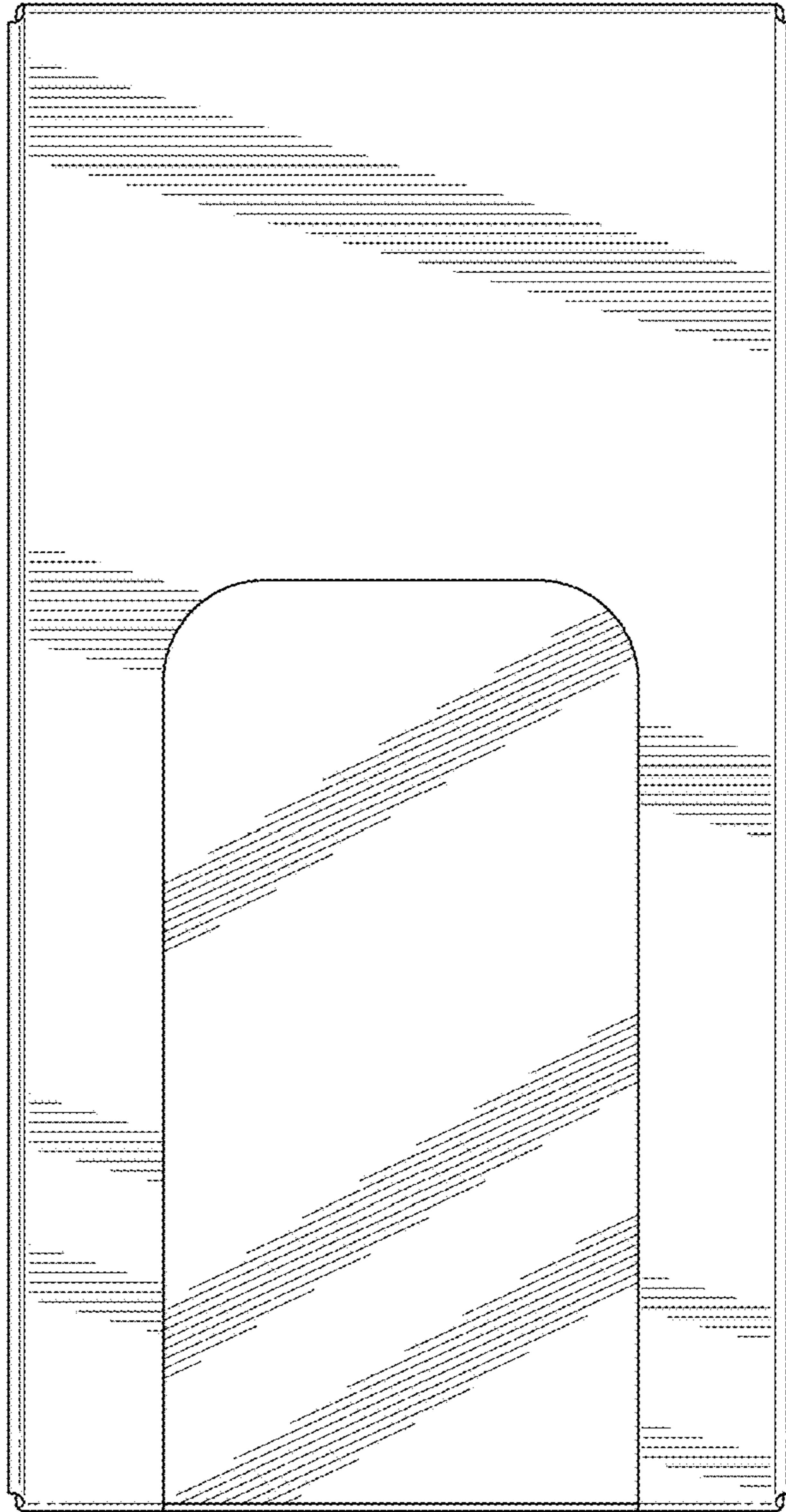


FIG. 5

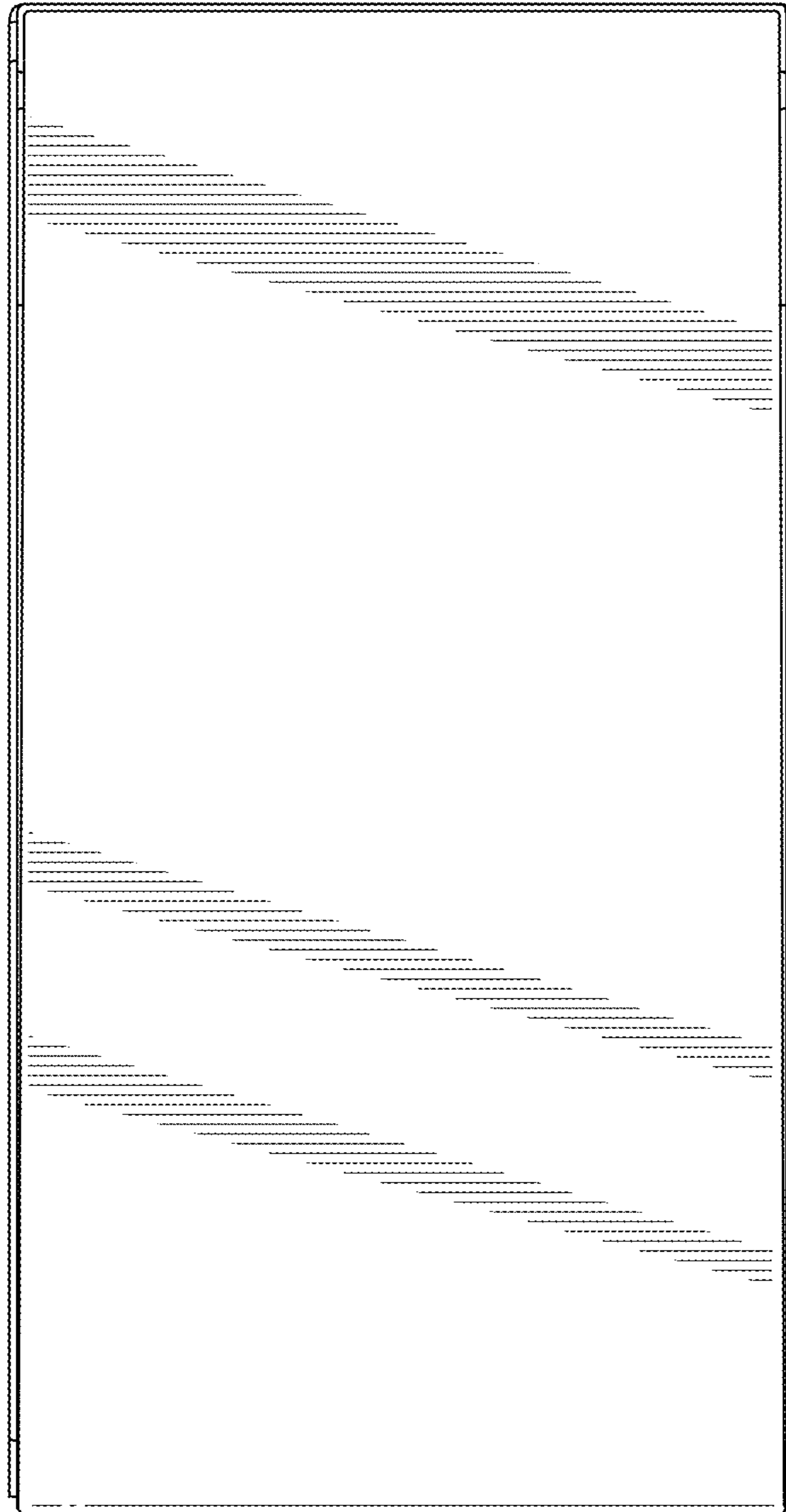


FIG. 6

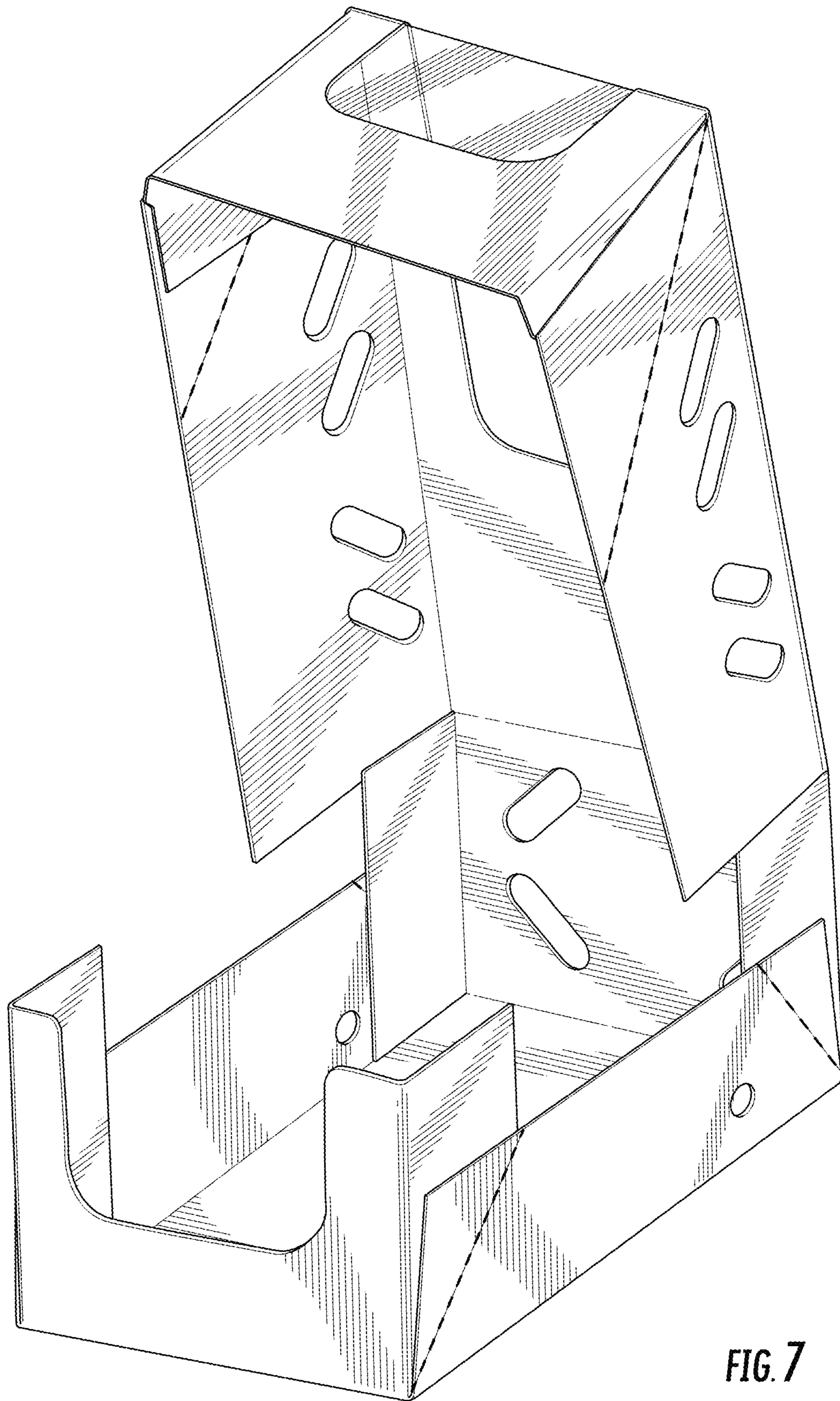


FIG. 7

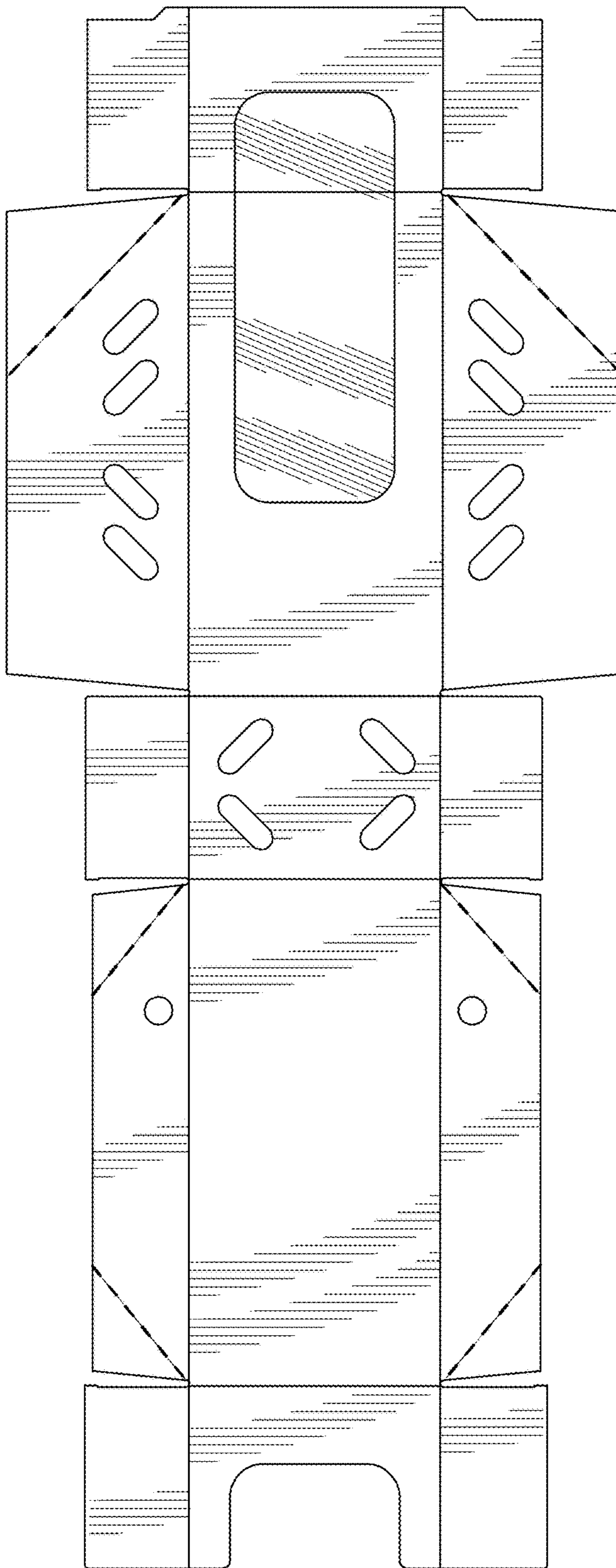


FIG. 8

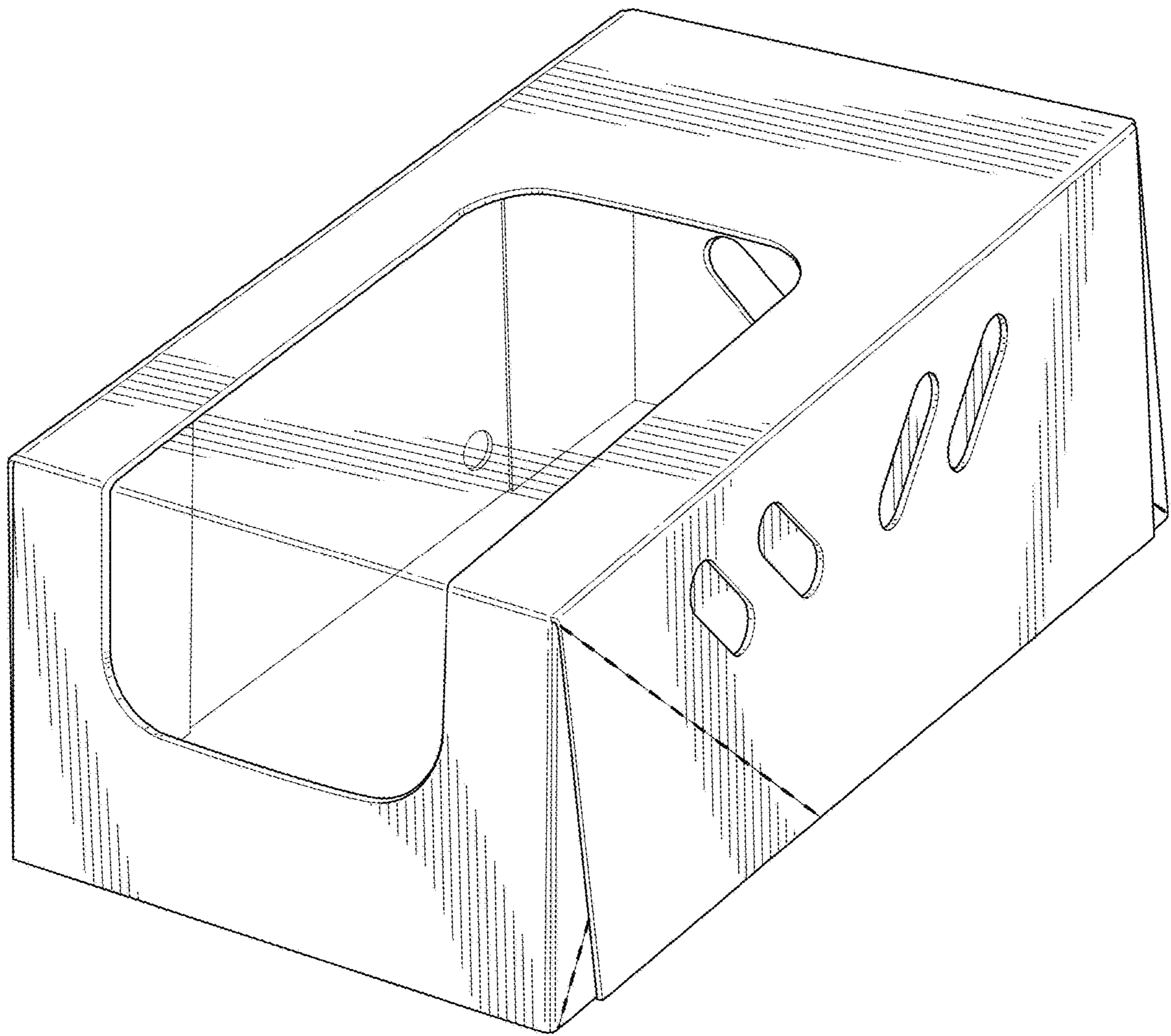


FIG. 9

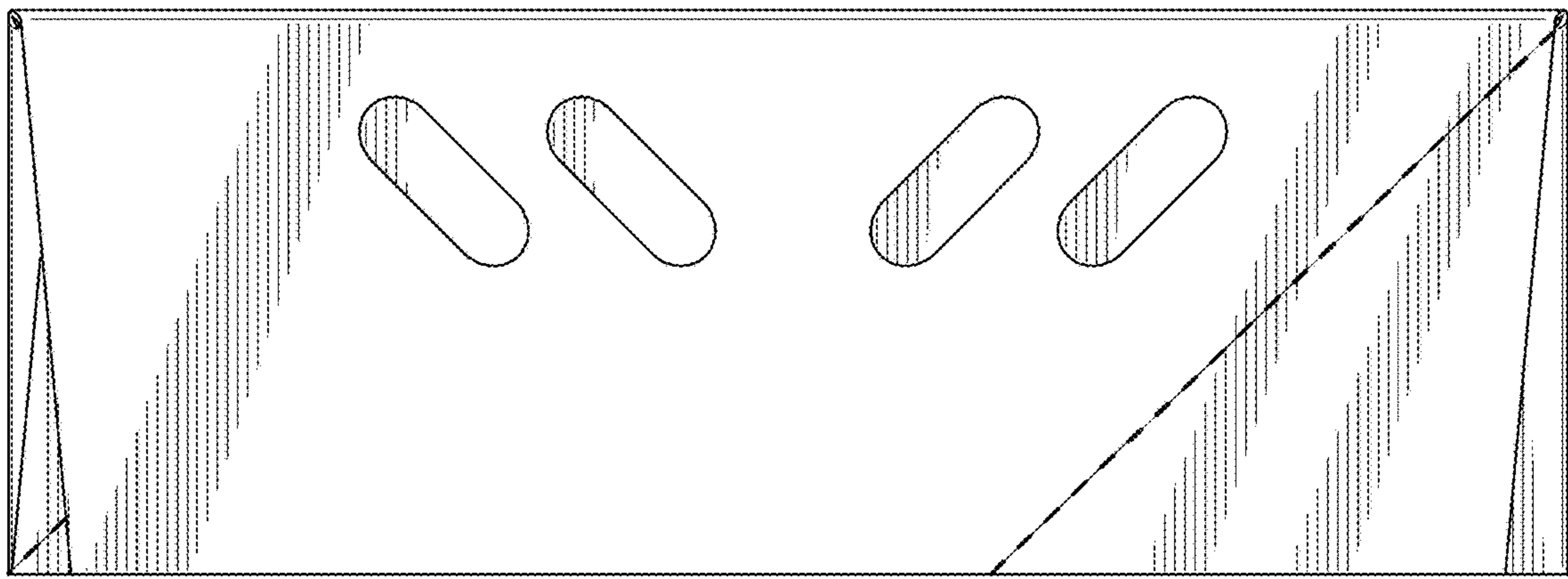


FIG. 10

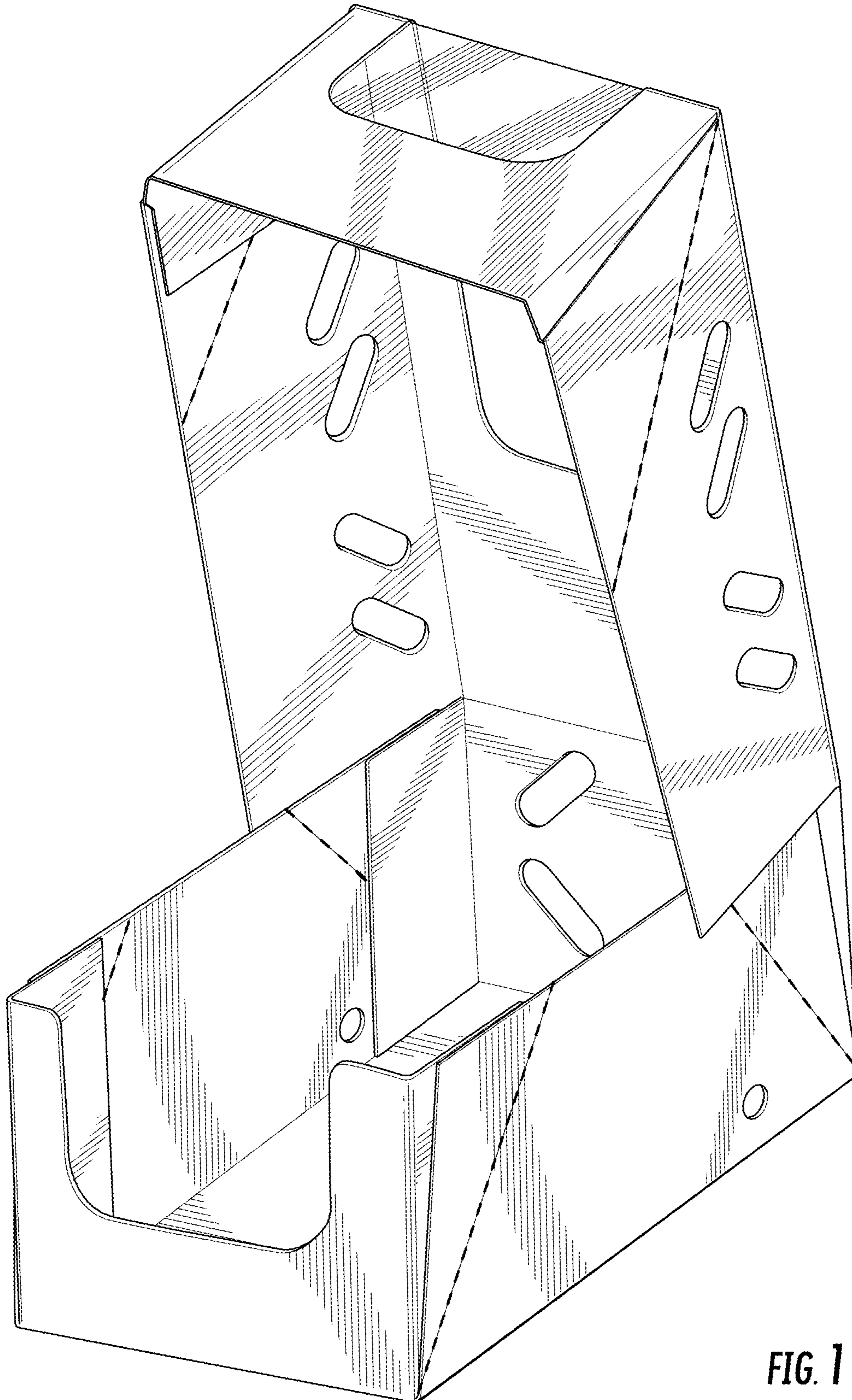


FIG. 11

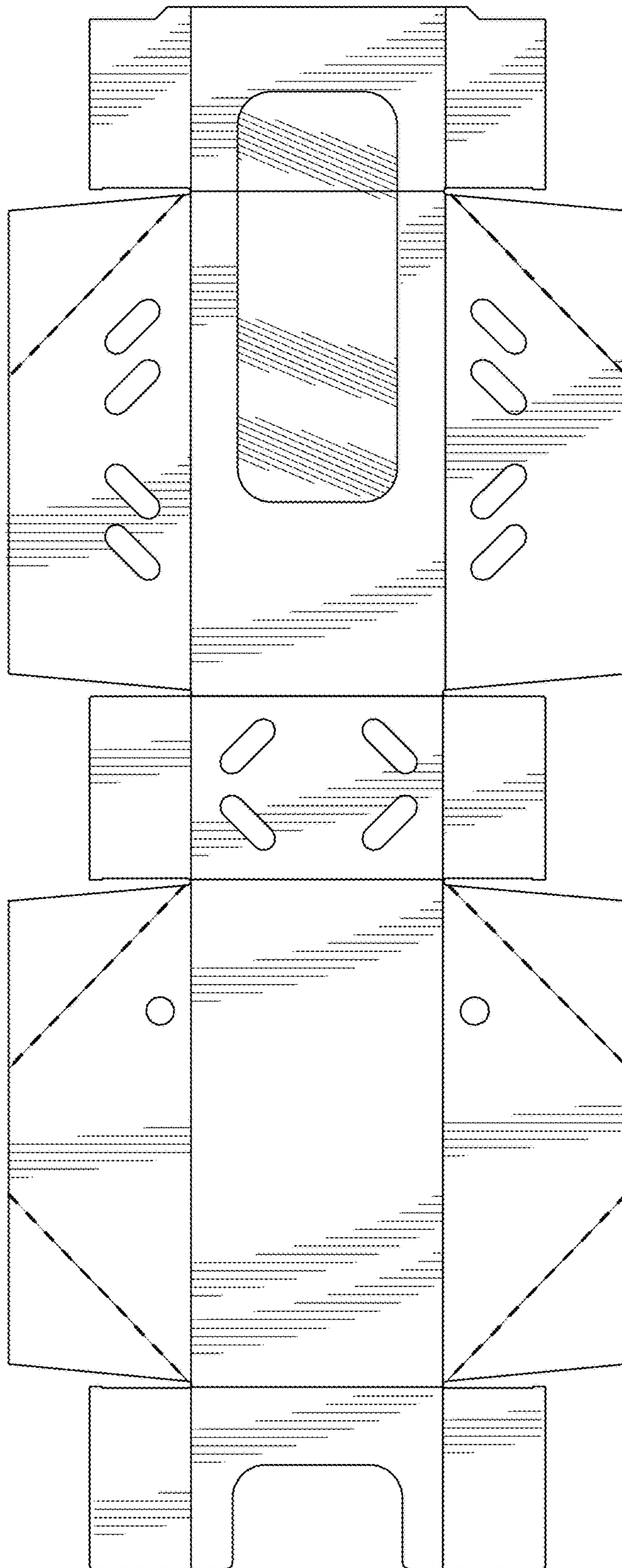


FIG. 12

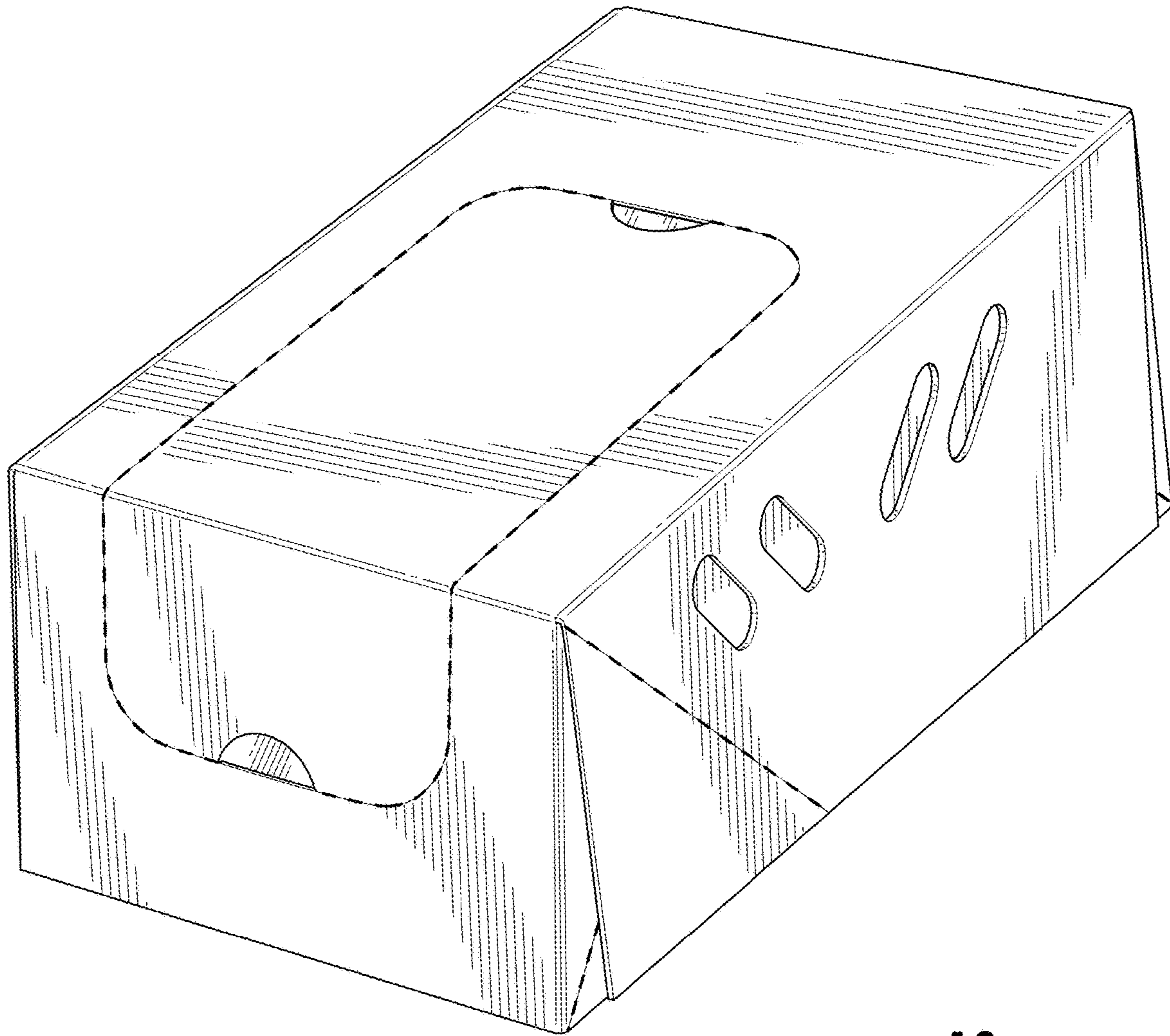


FIG. 13

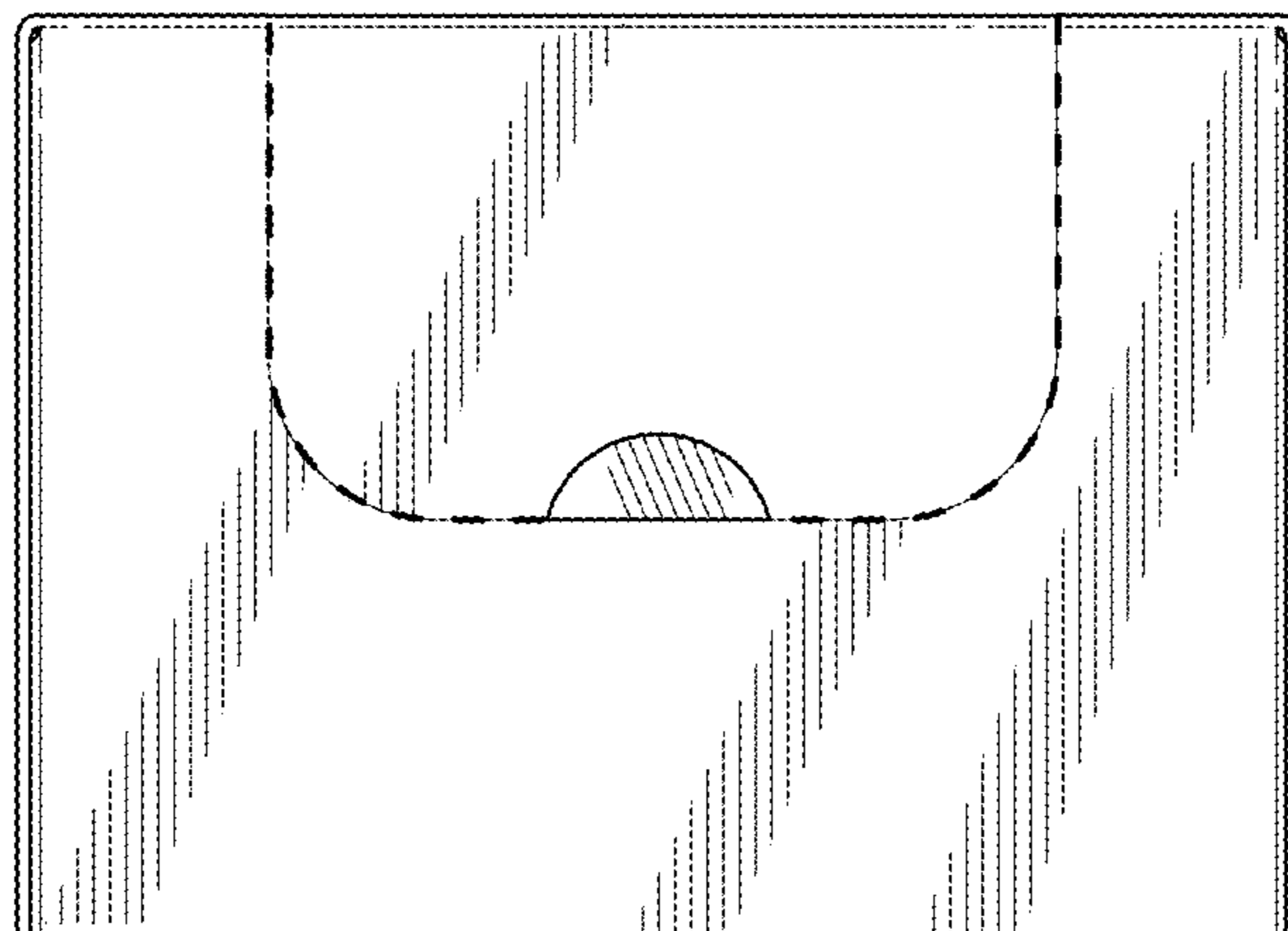


FIG. 14

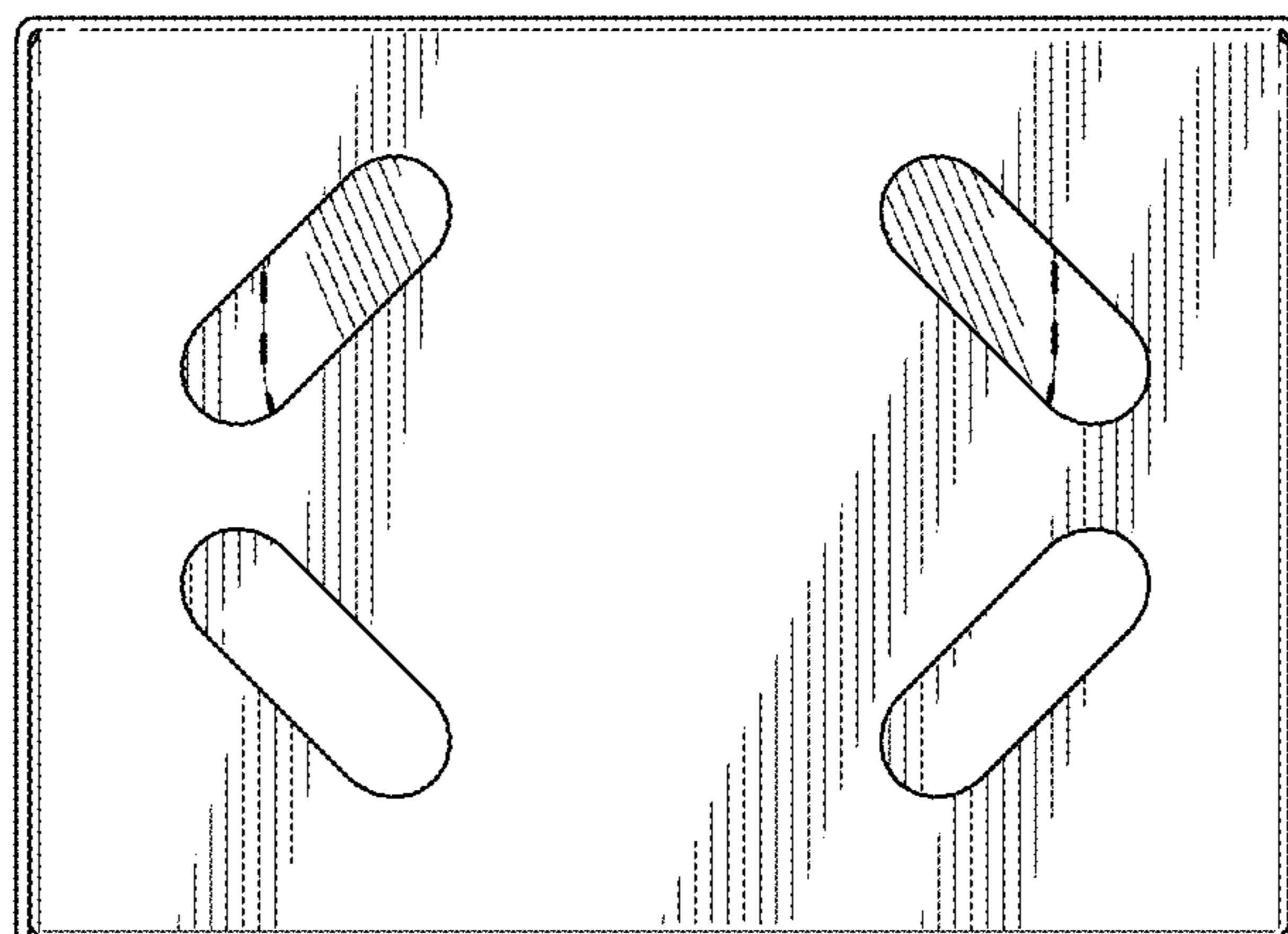


FIG. 15

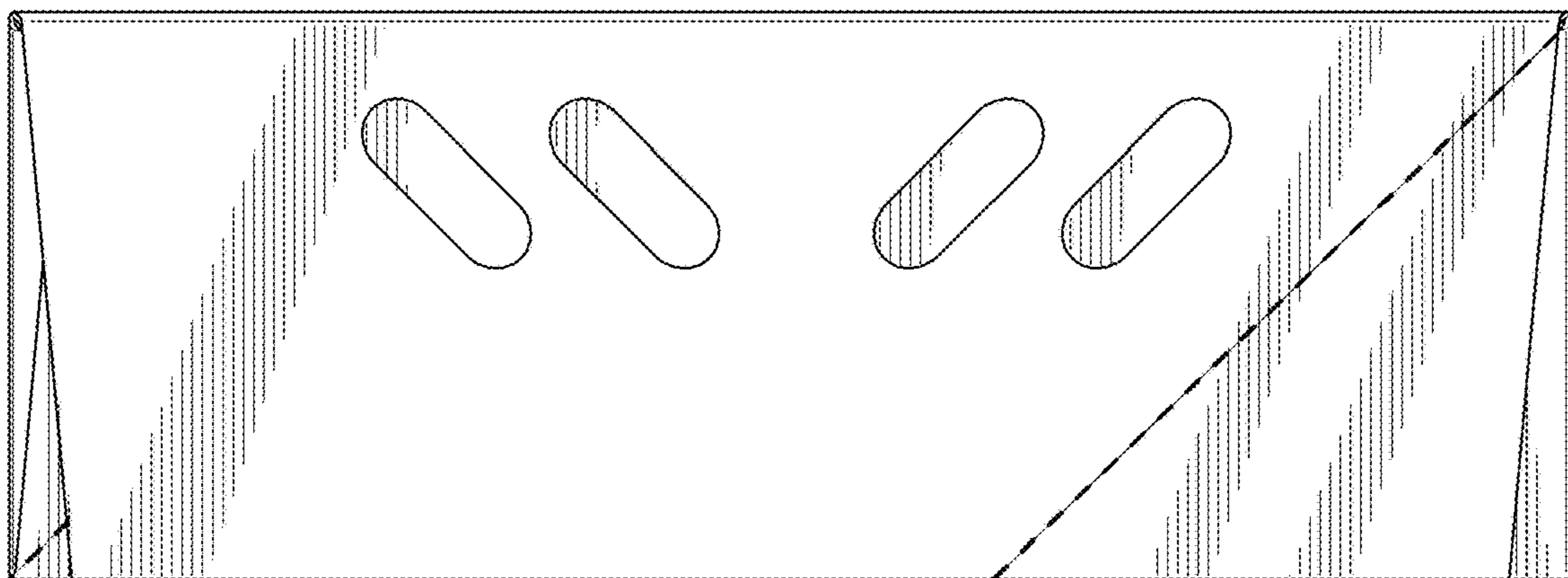


FIG. 16

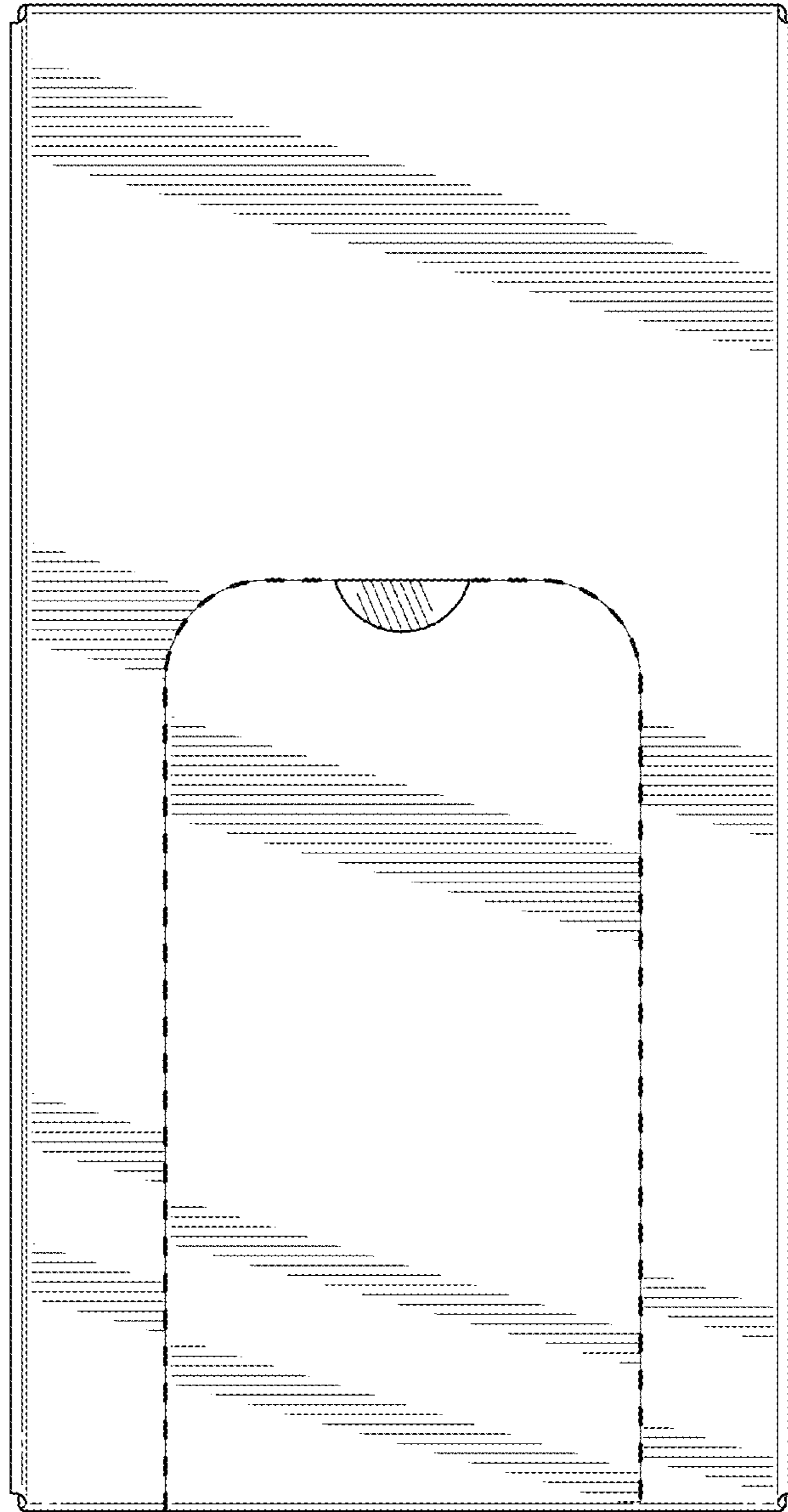


FIG. 17

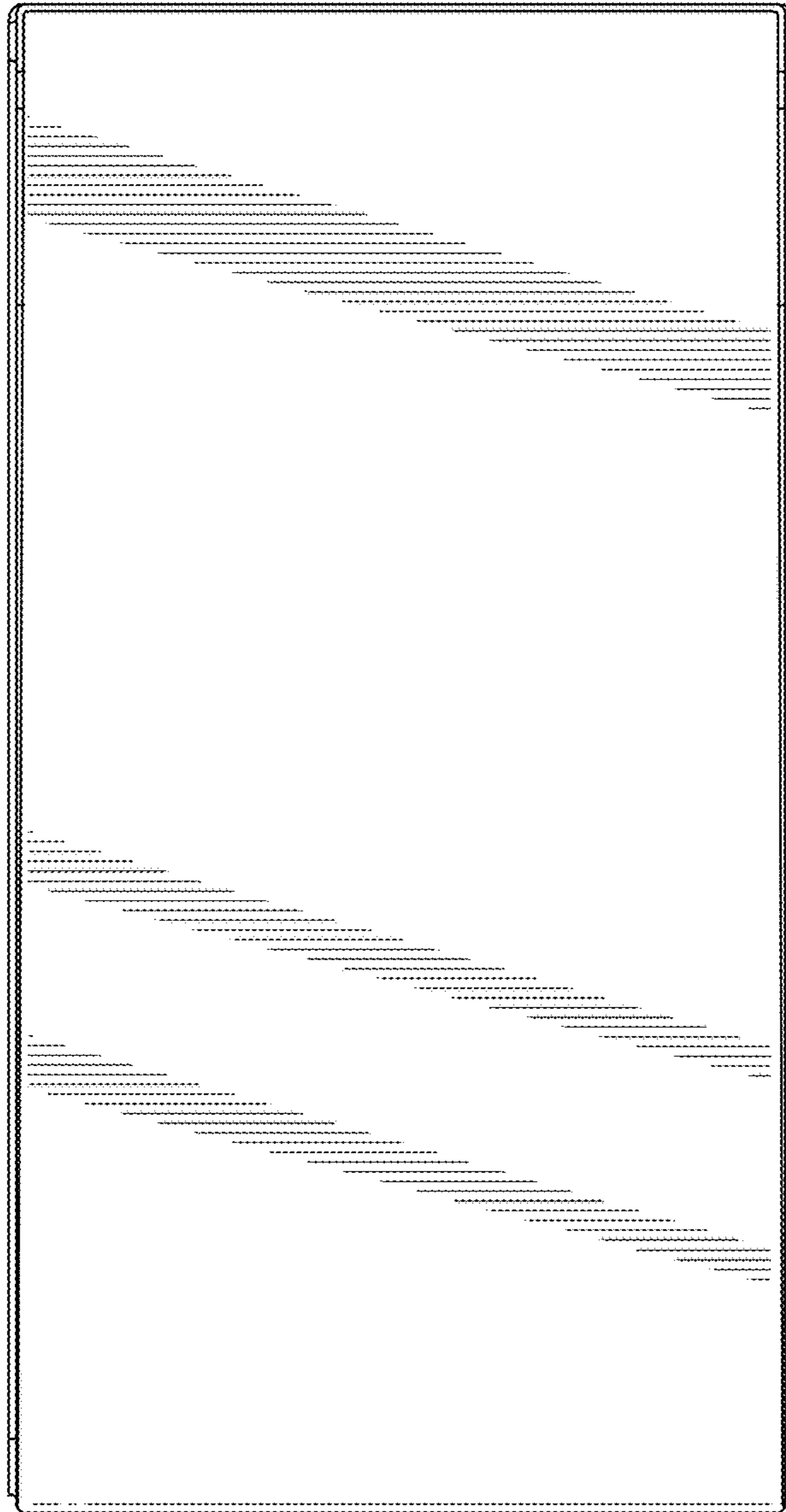


FIG. 18

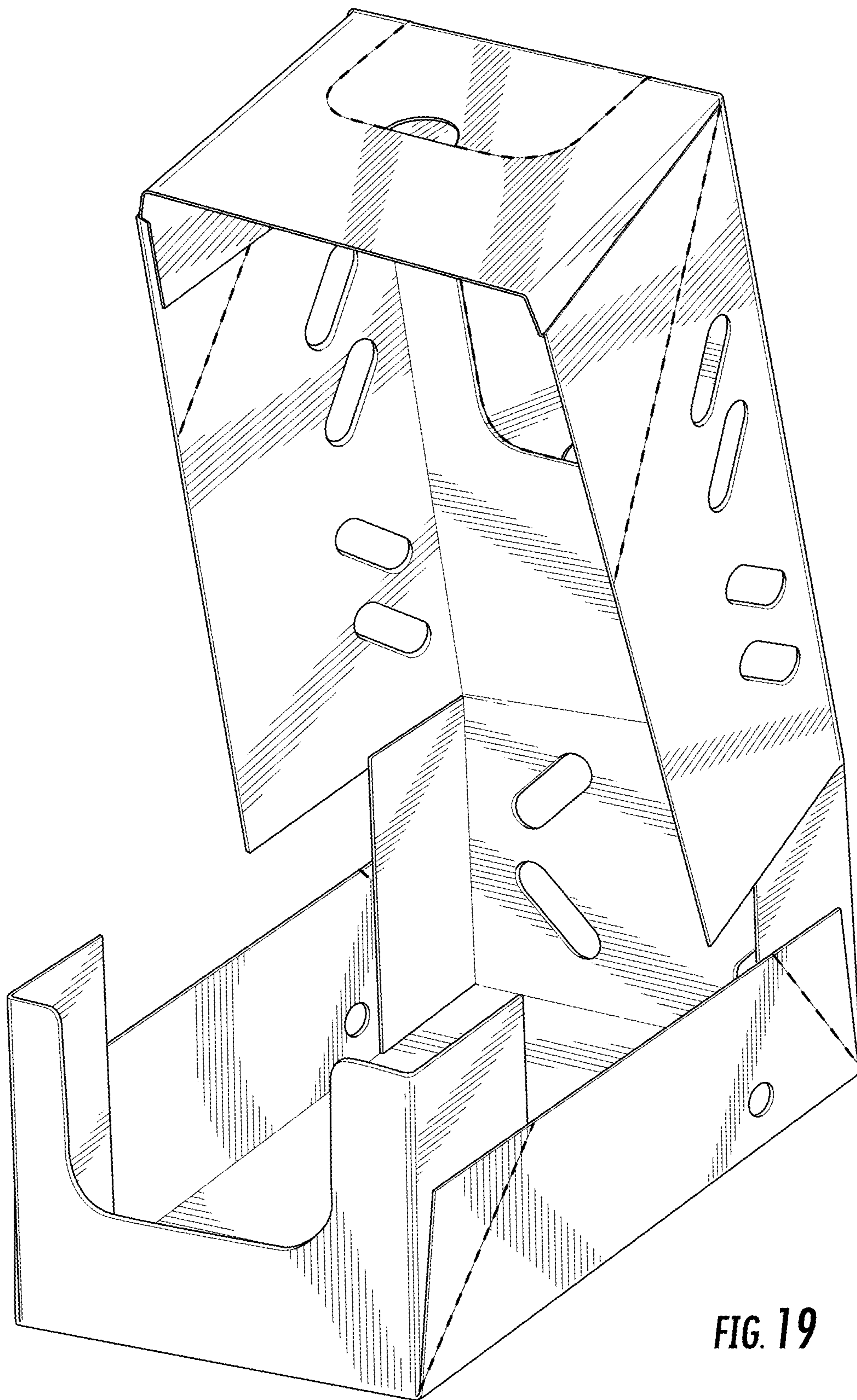


FIG. 19

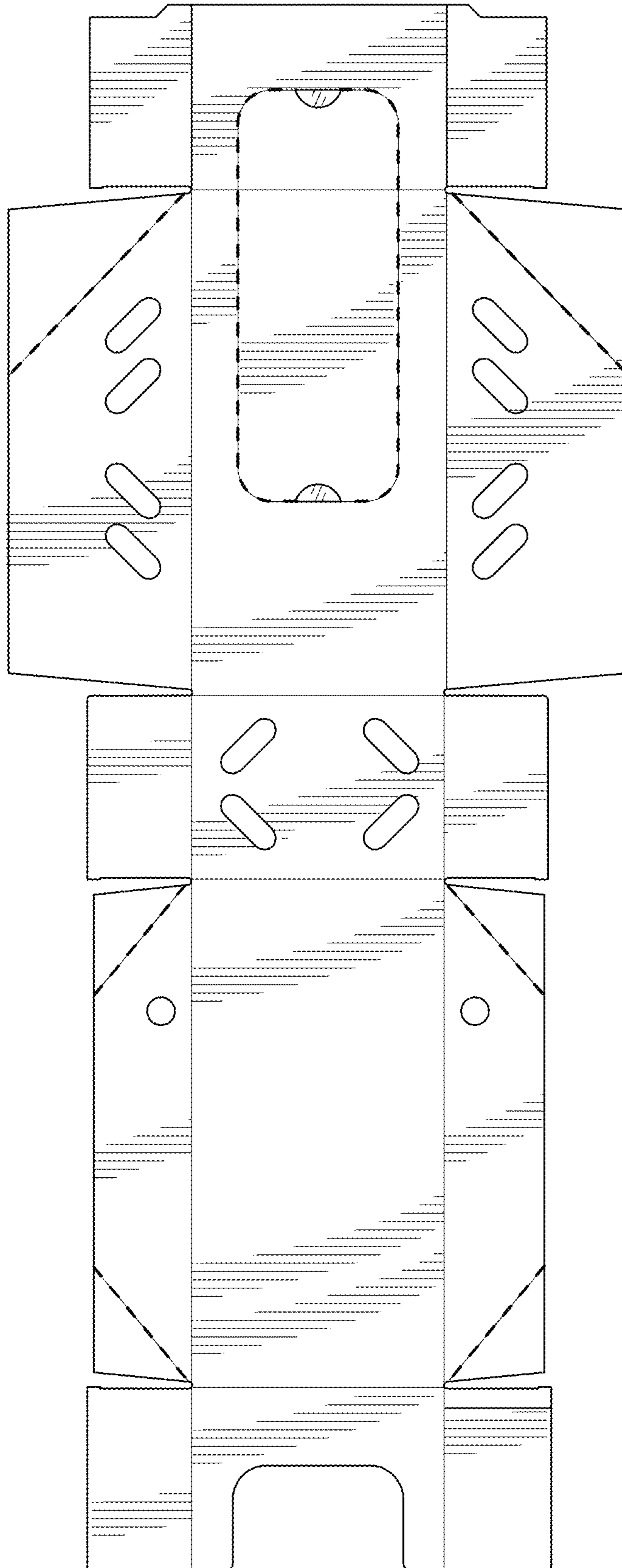


FIG. 20

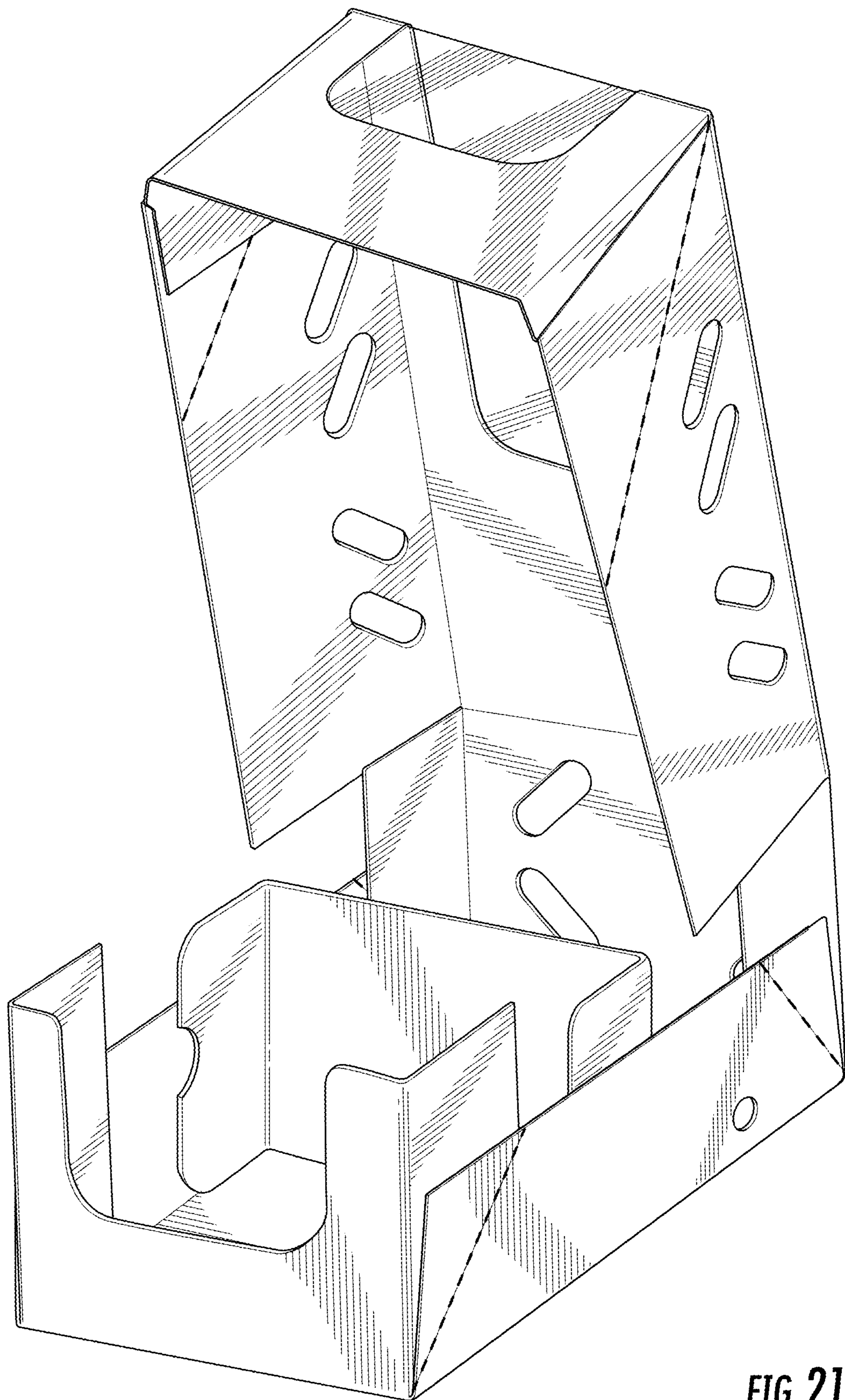


FIG. 21

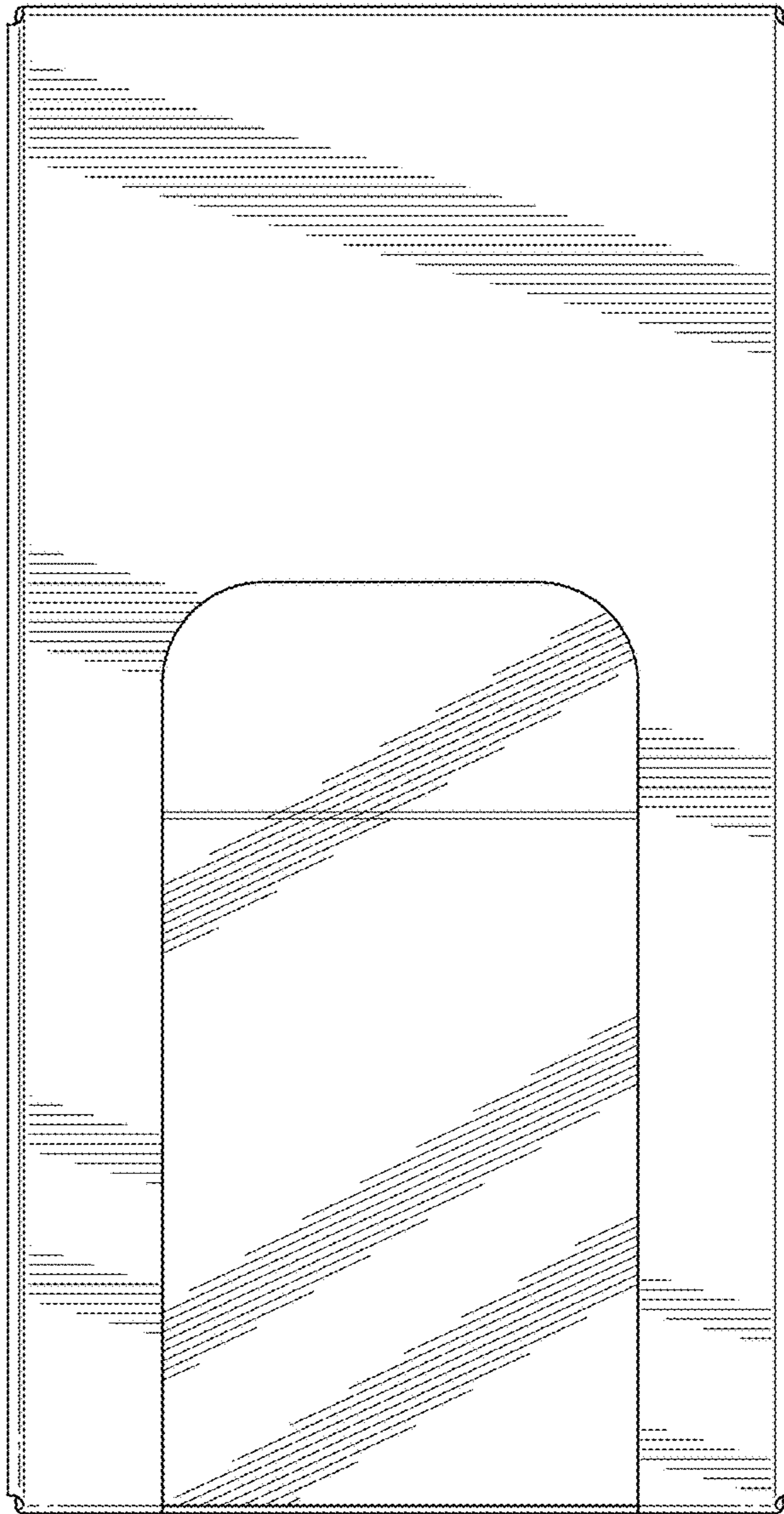


FIG. 22

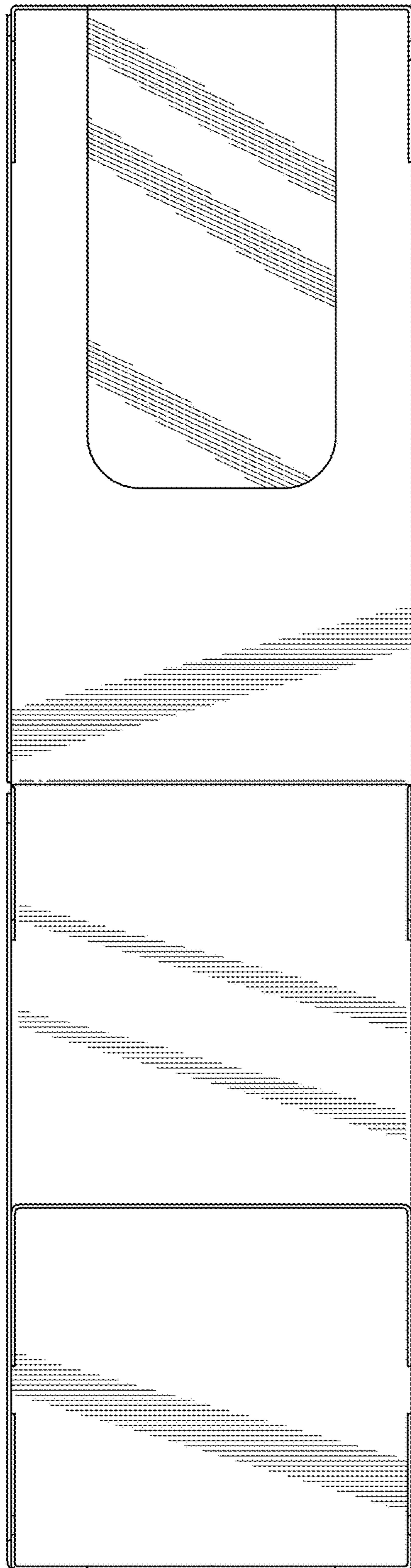


FIG. 23

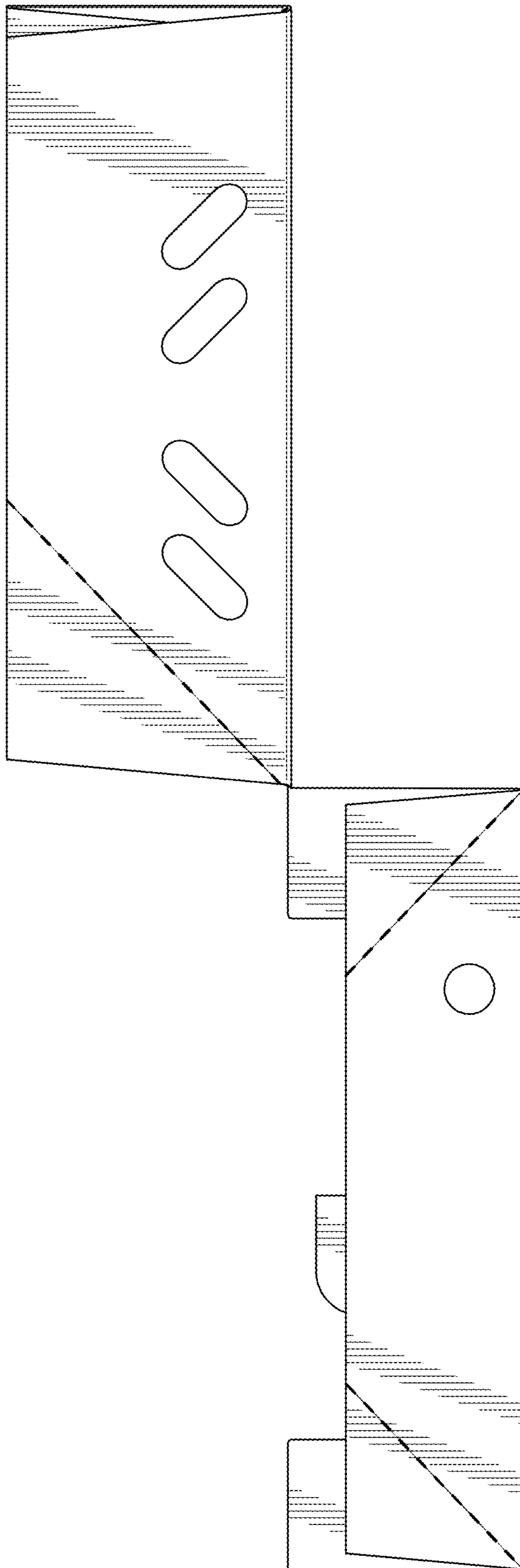


FIG. 24

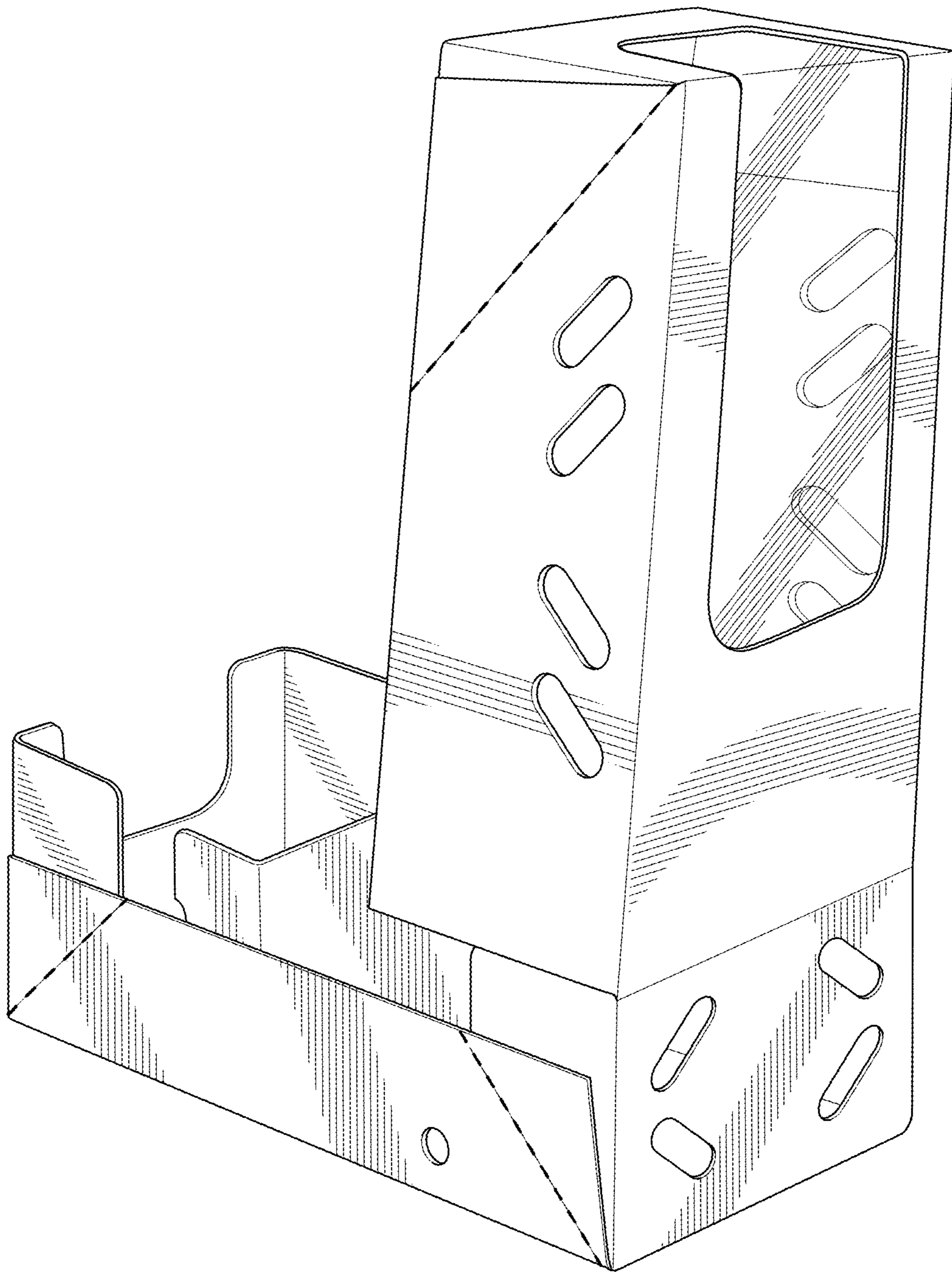


FIG. 25

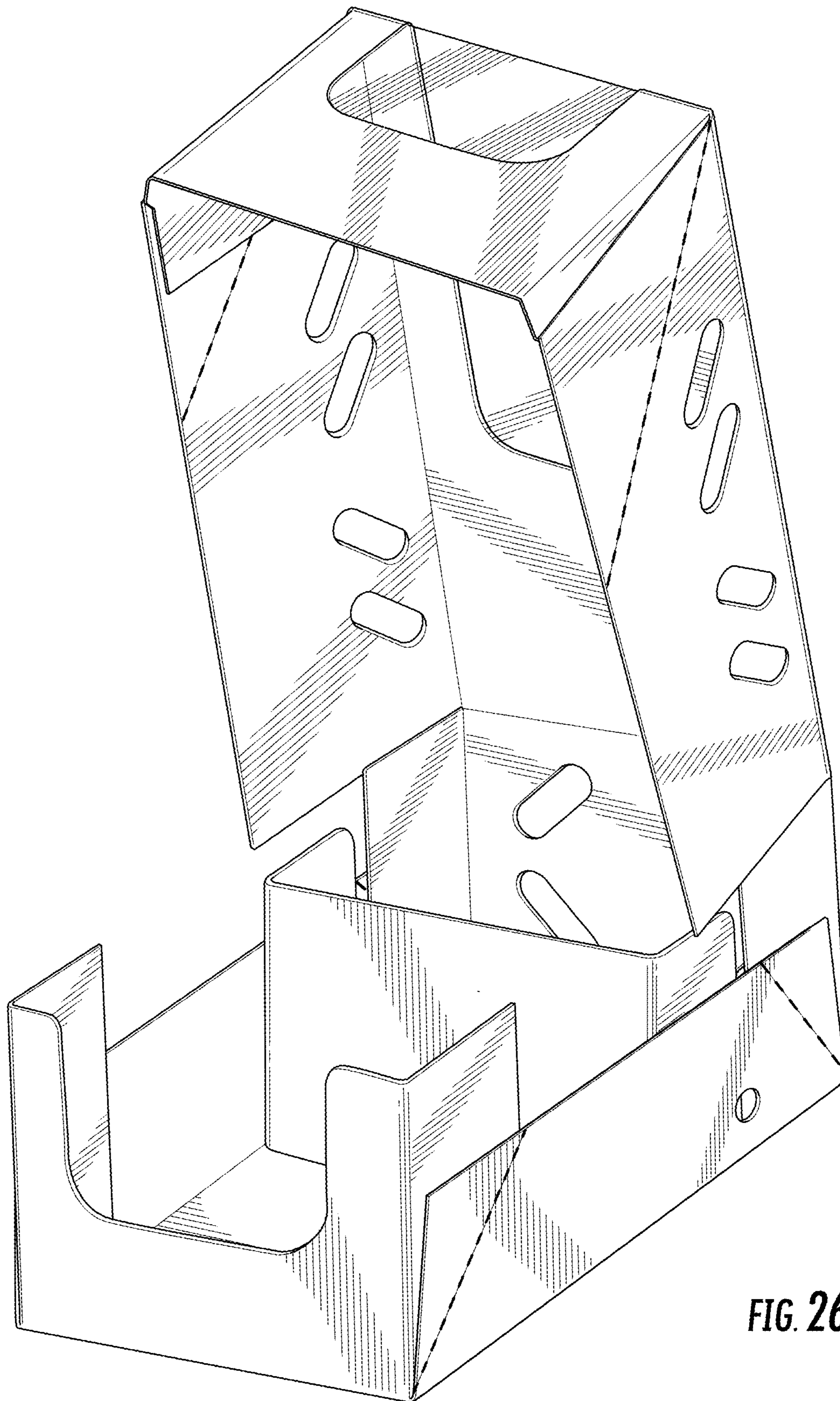


FIG. 26

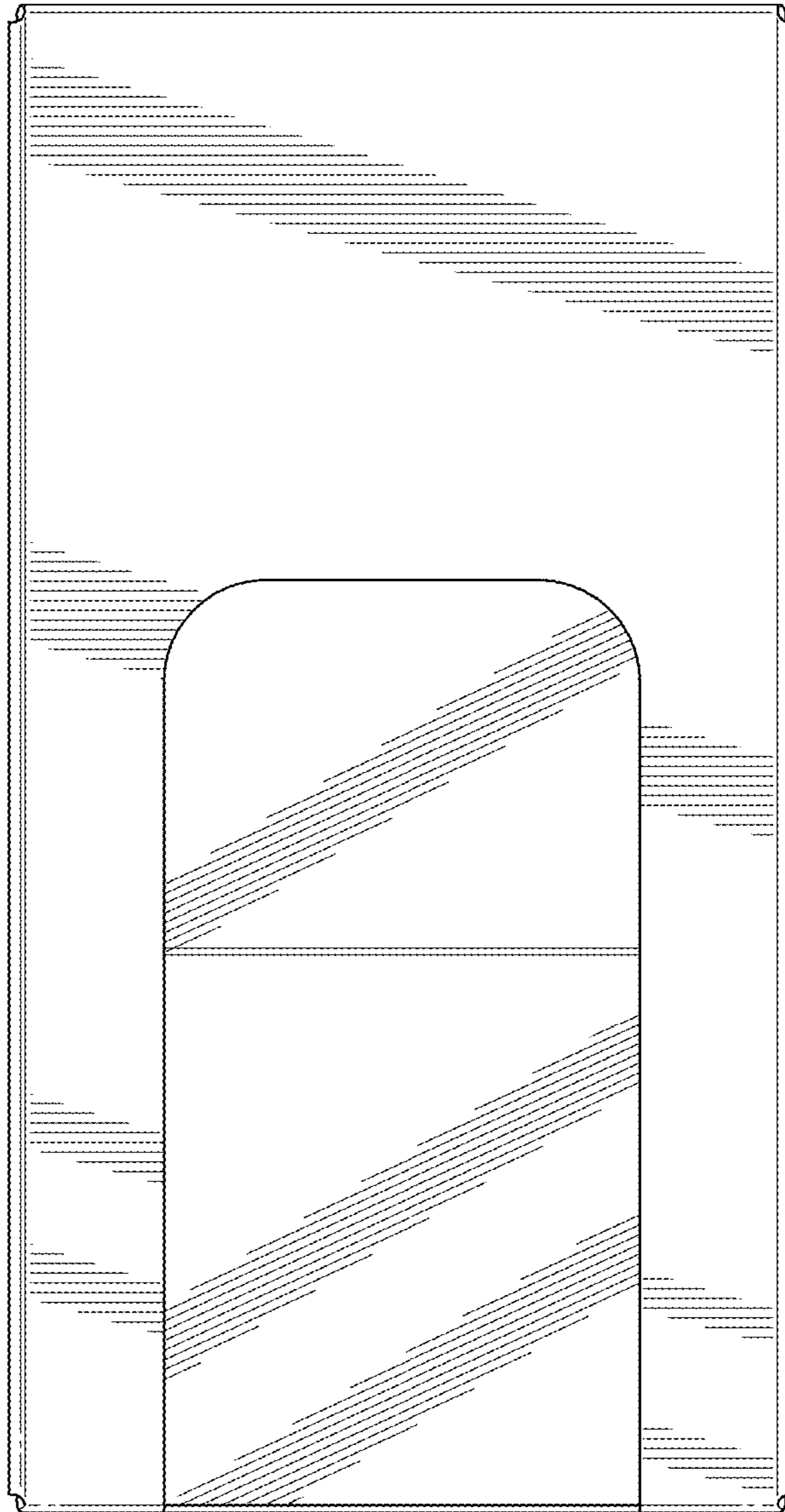


FIG. 27

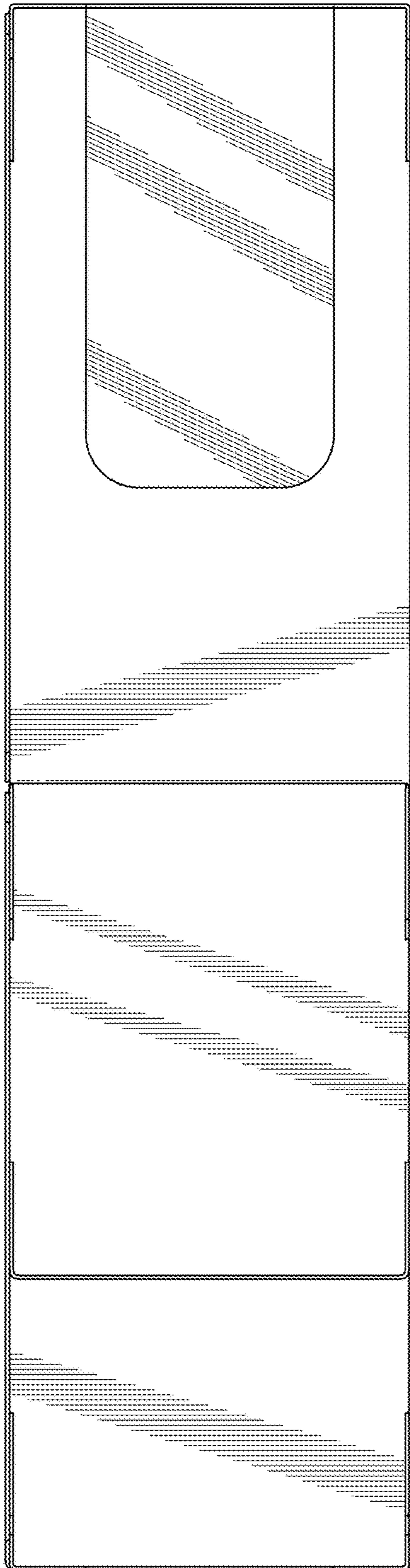


FIG. 28

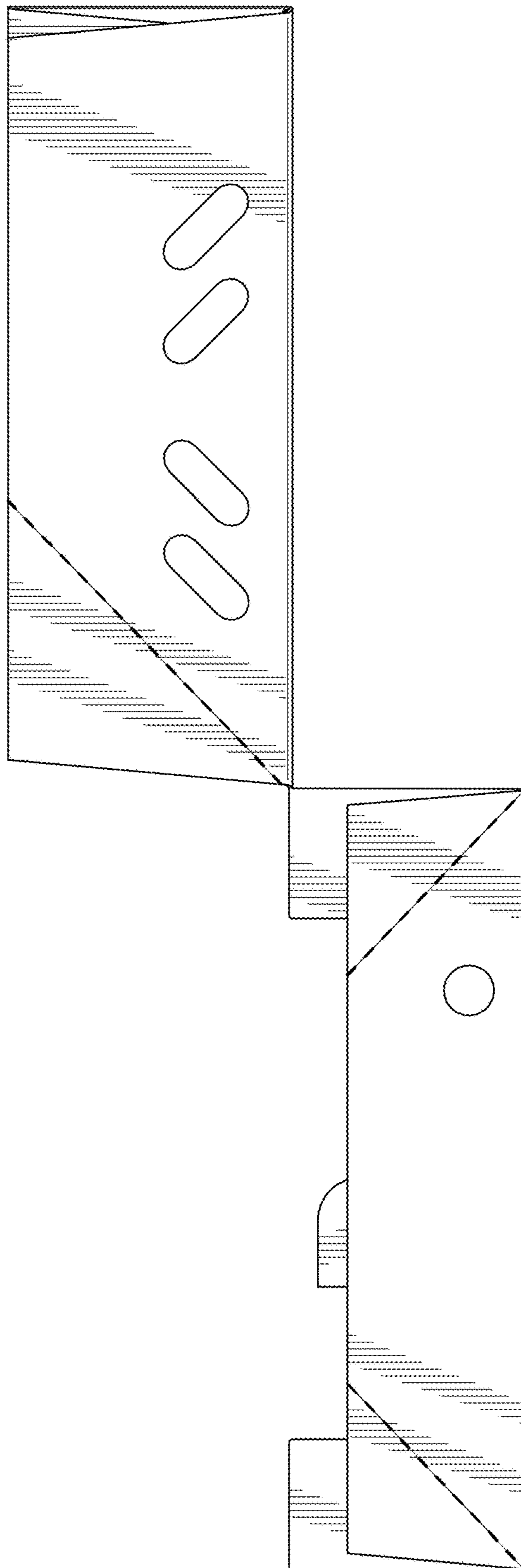


FIG. 29

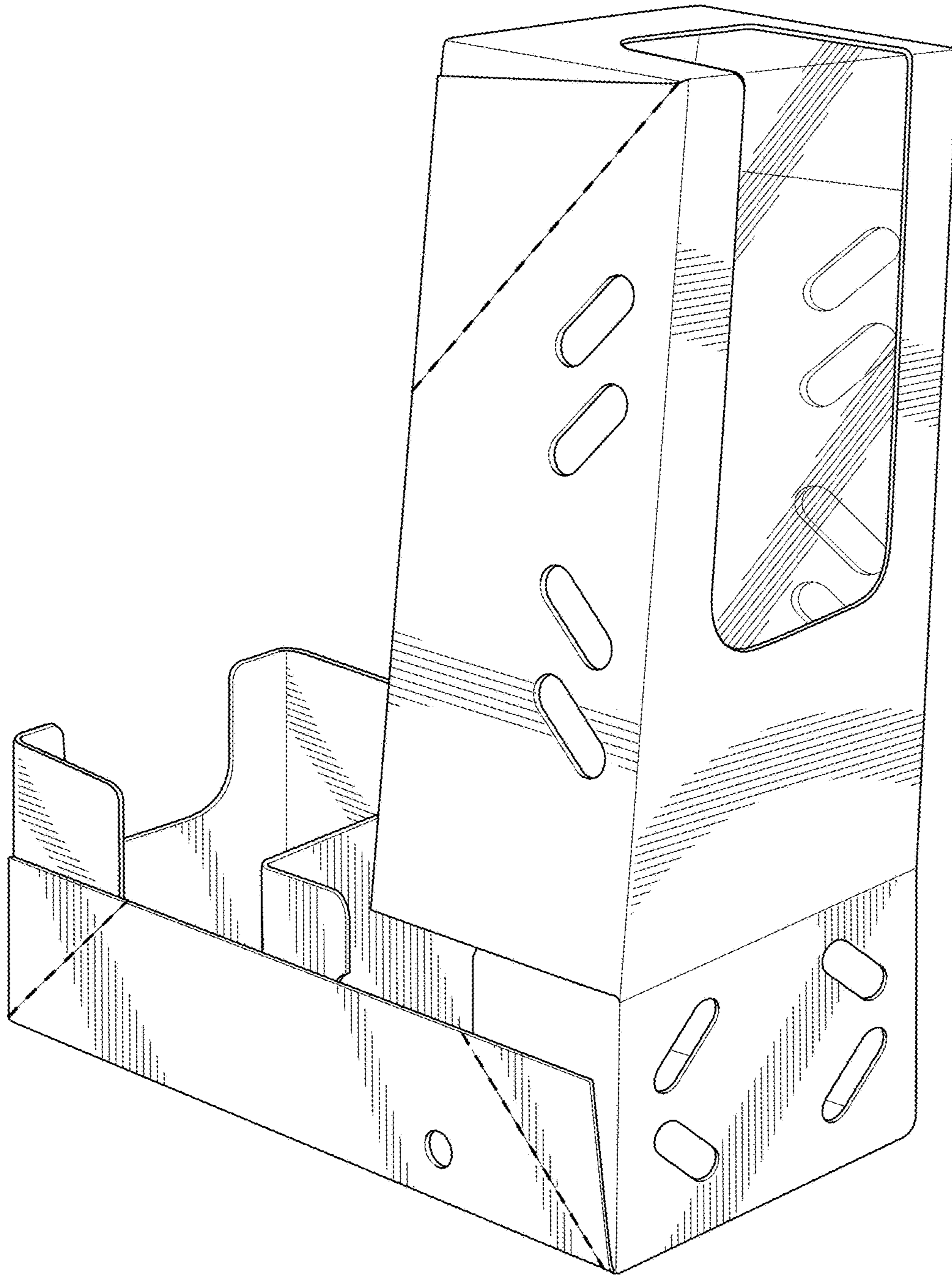


FIG. 30

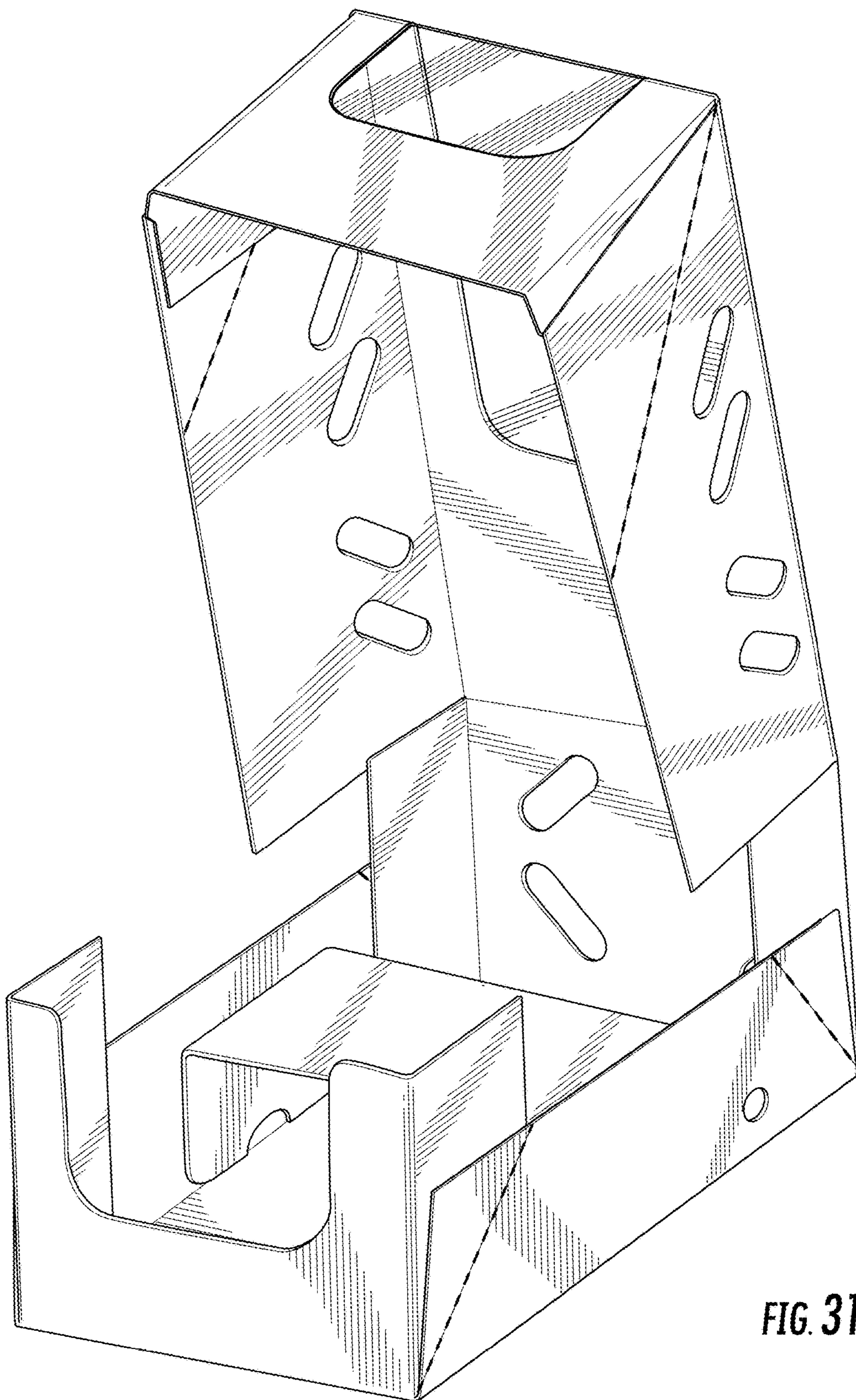


FIG. 31

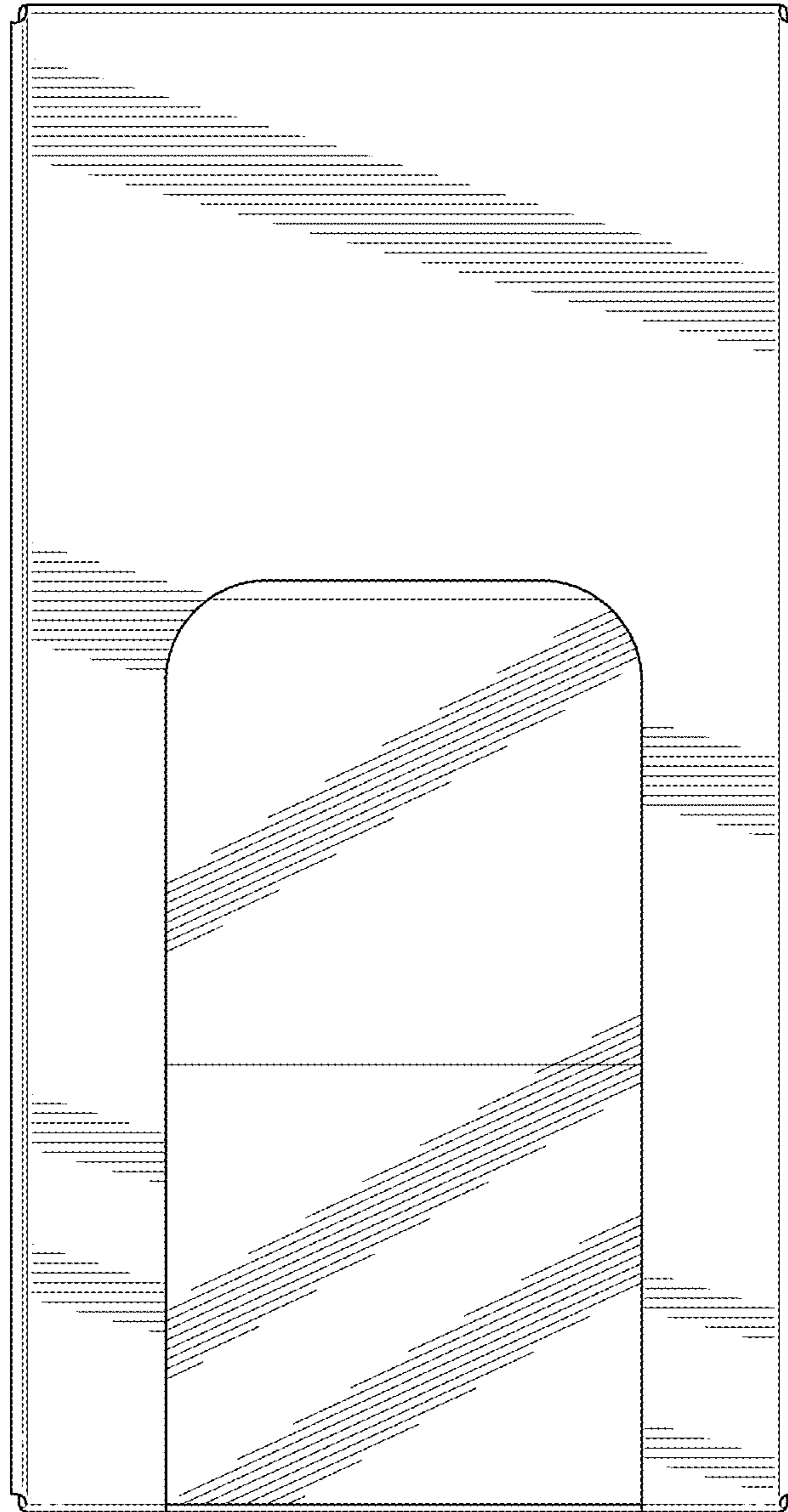


FIG. 32

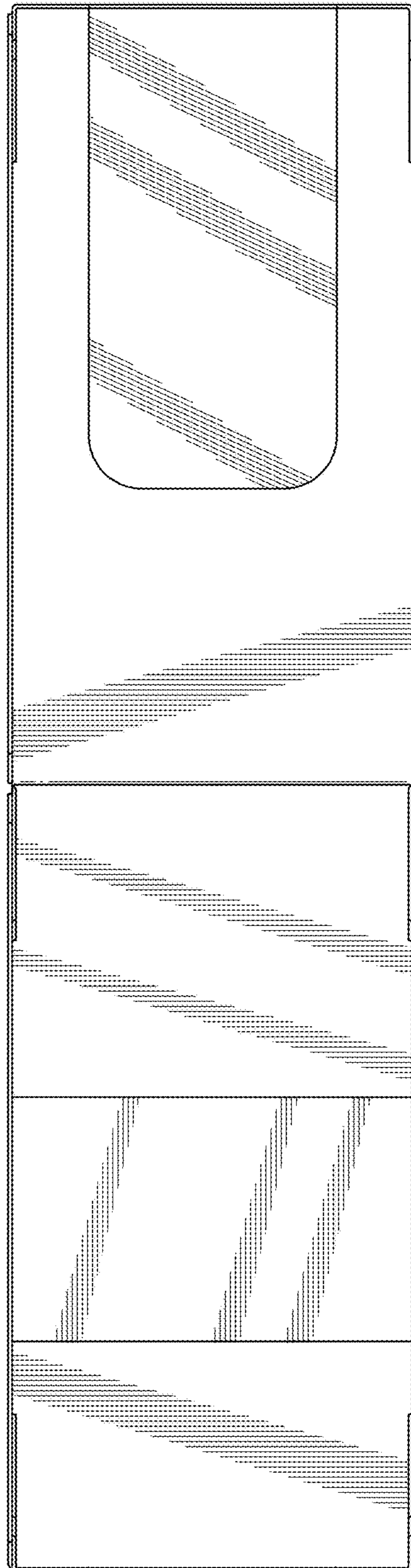


FIG. 33

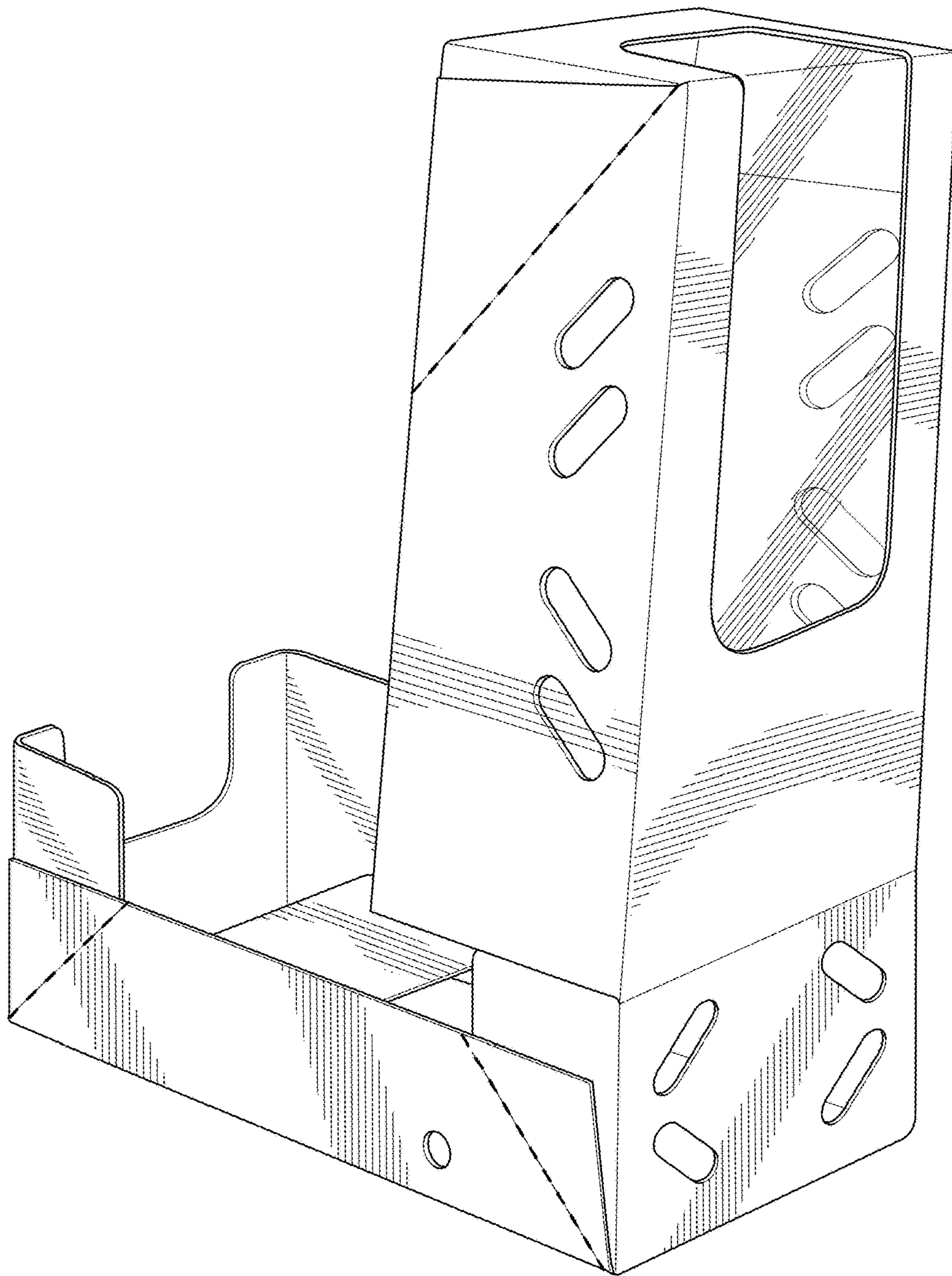


FIG. 34

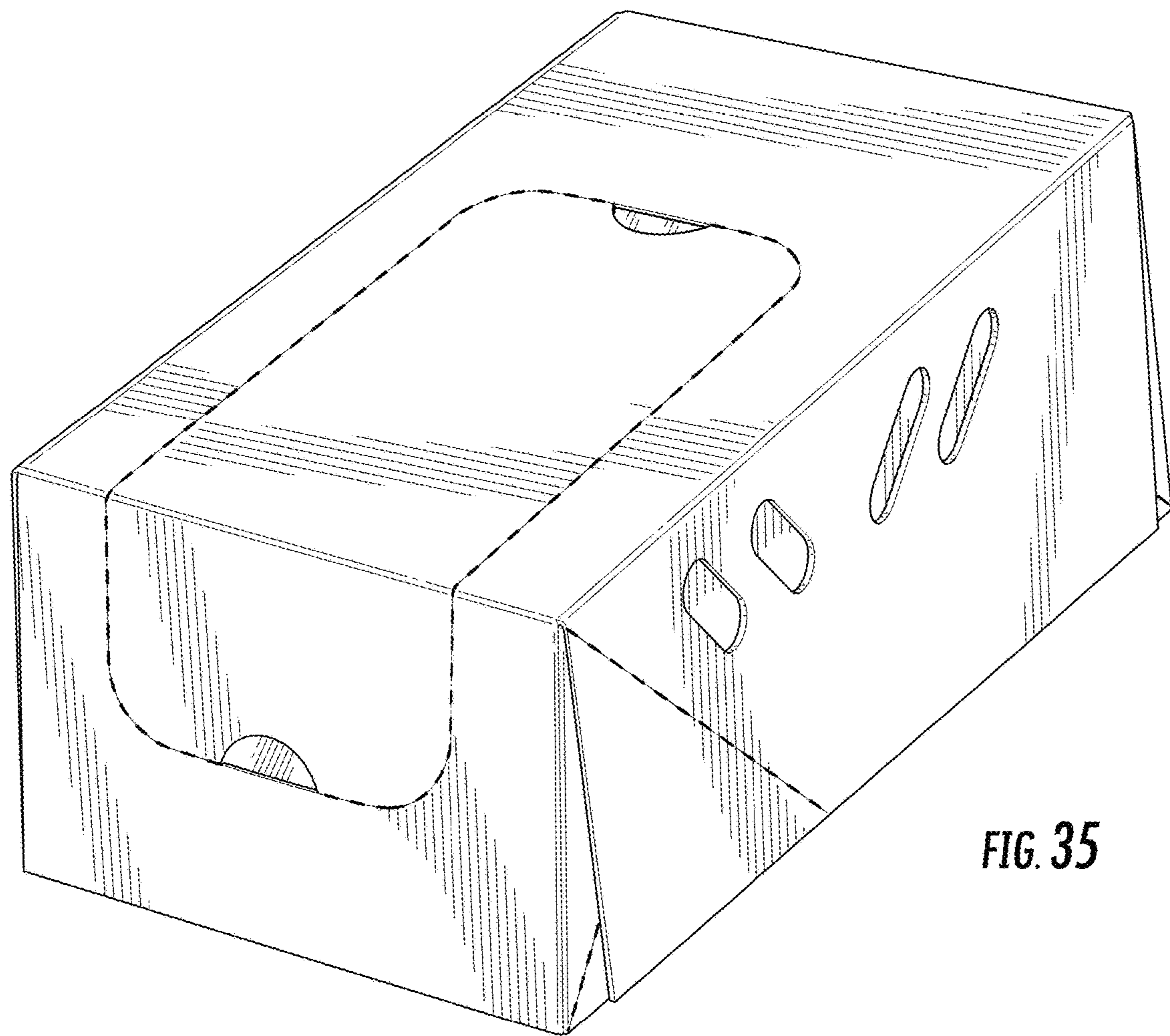


FIG. 35

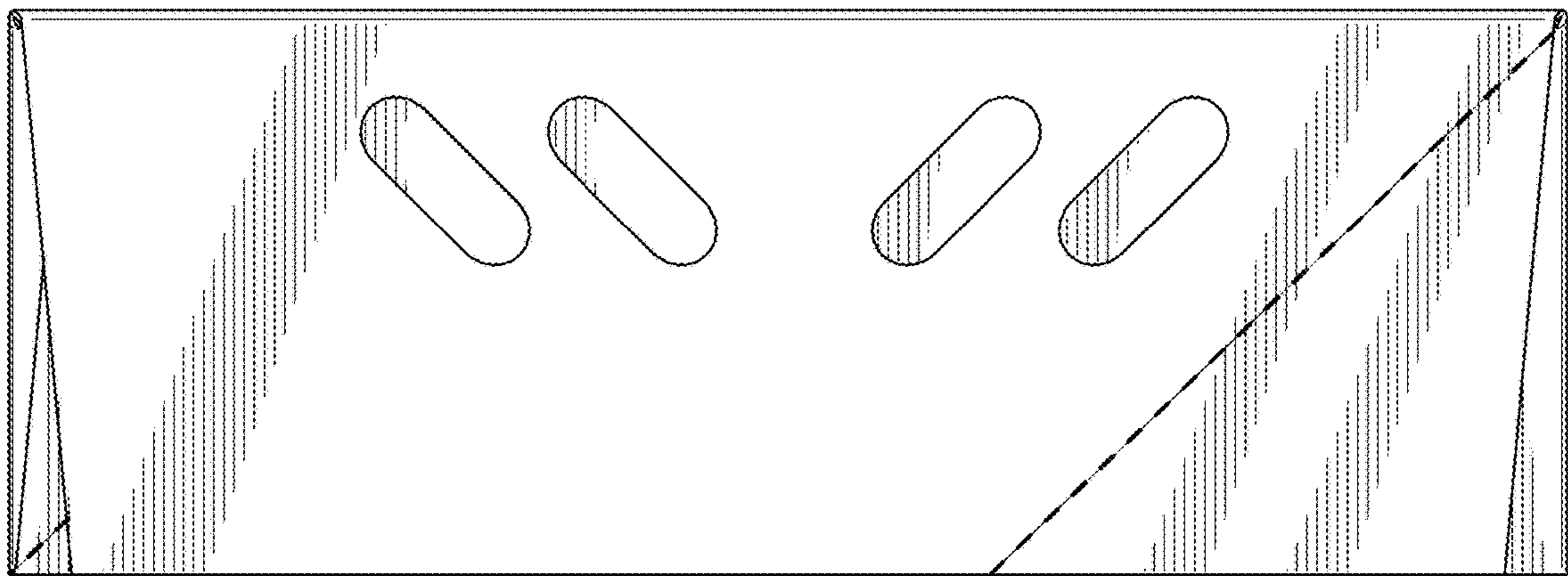


FIG. 36

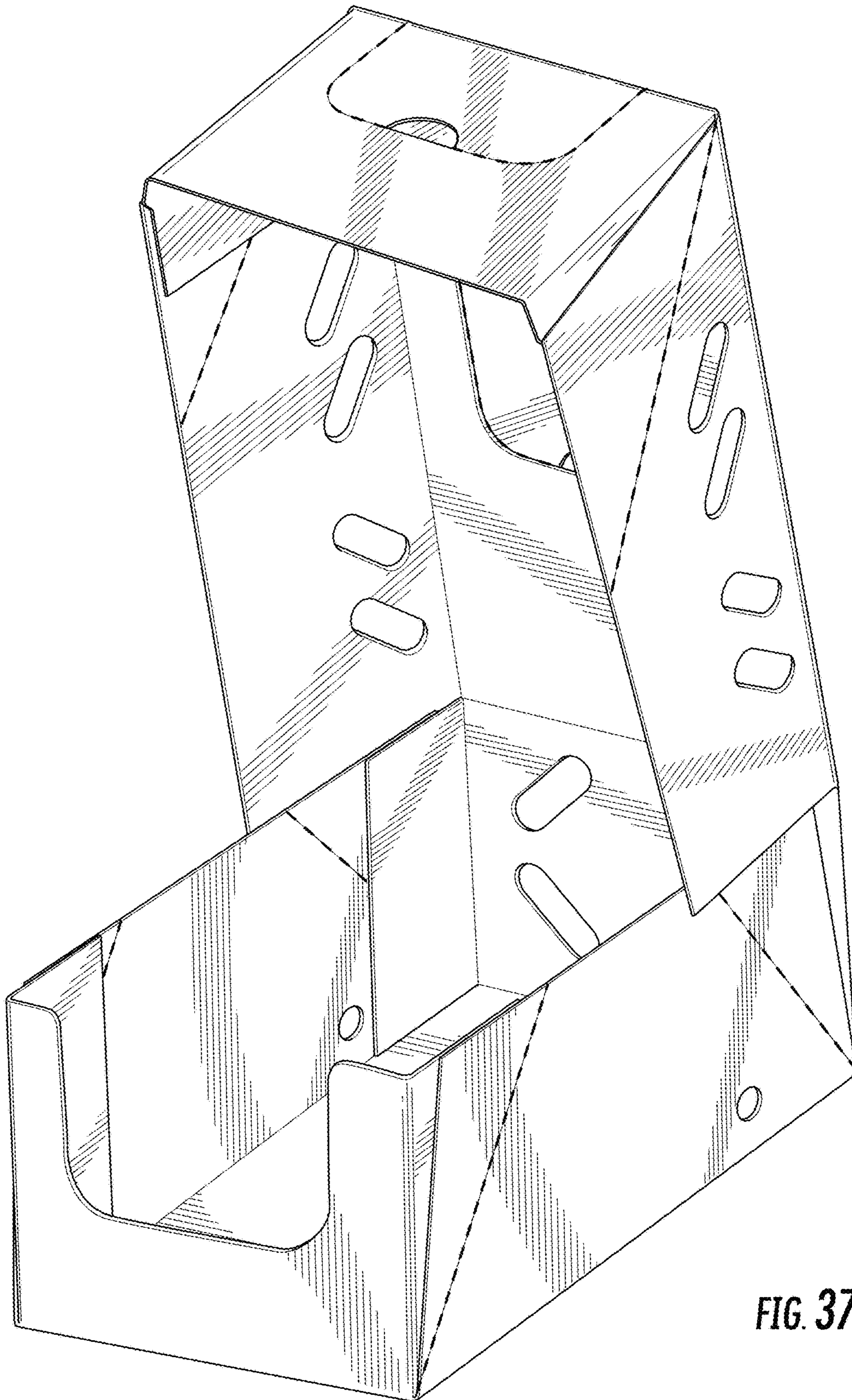


FIG. 37

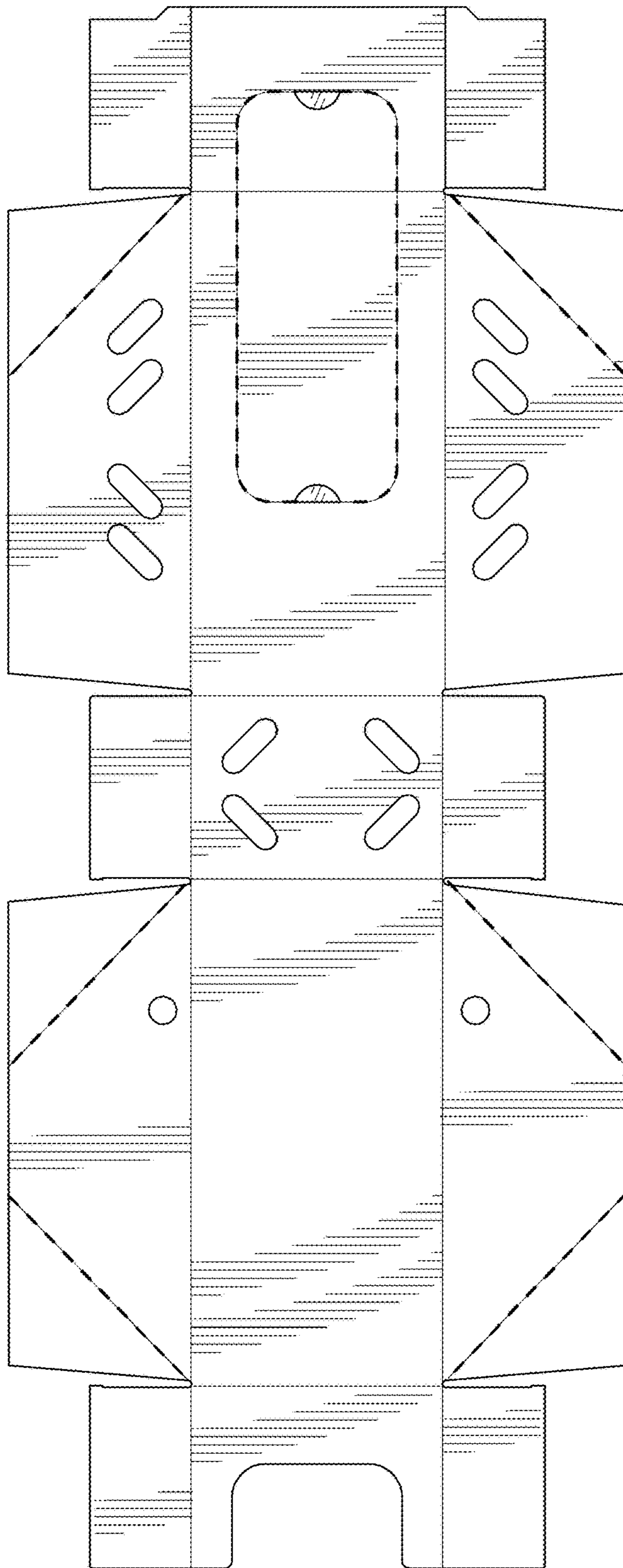


FIG. 38

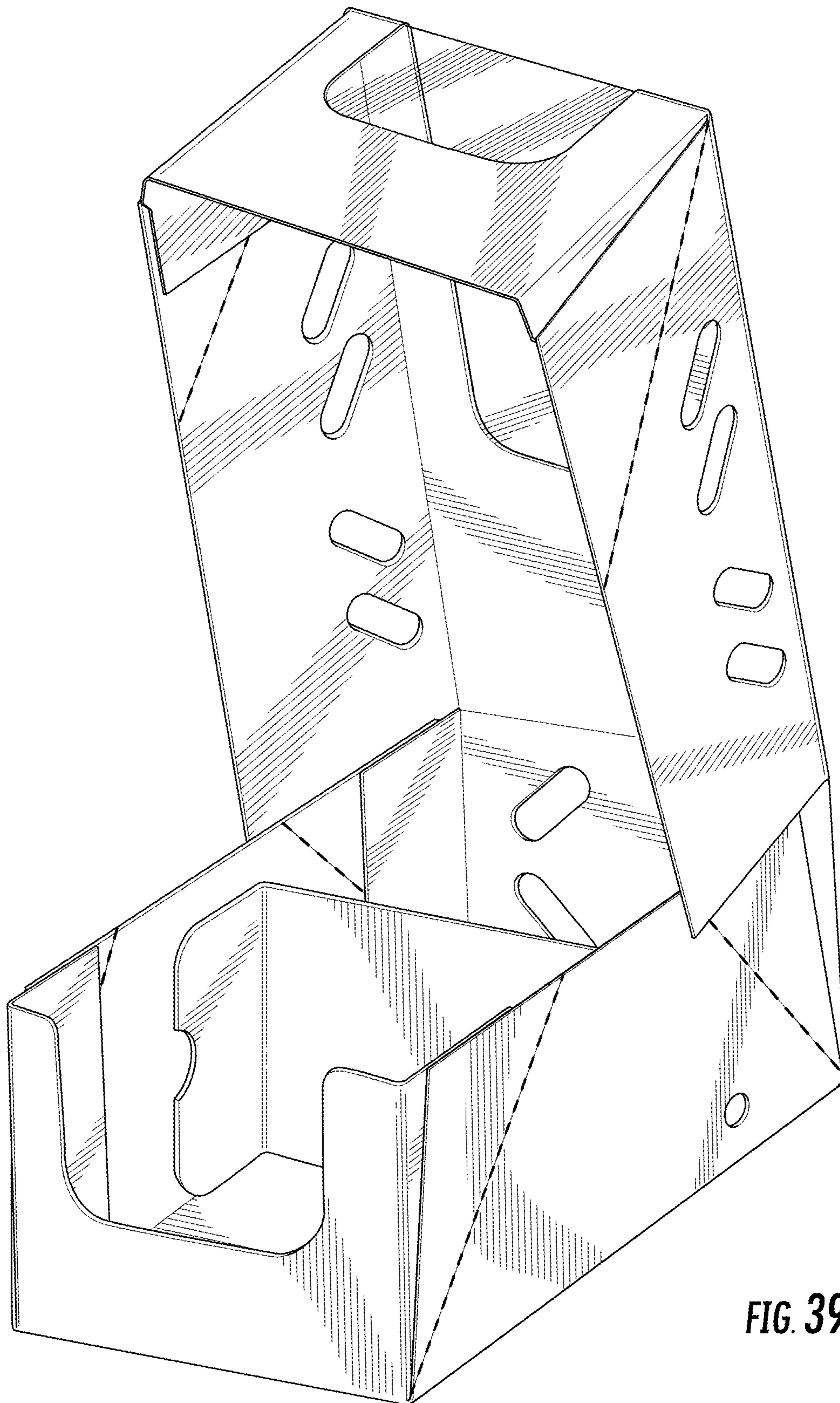


FIG. 39

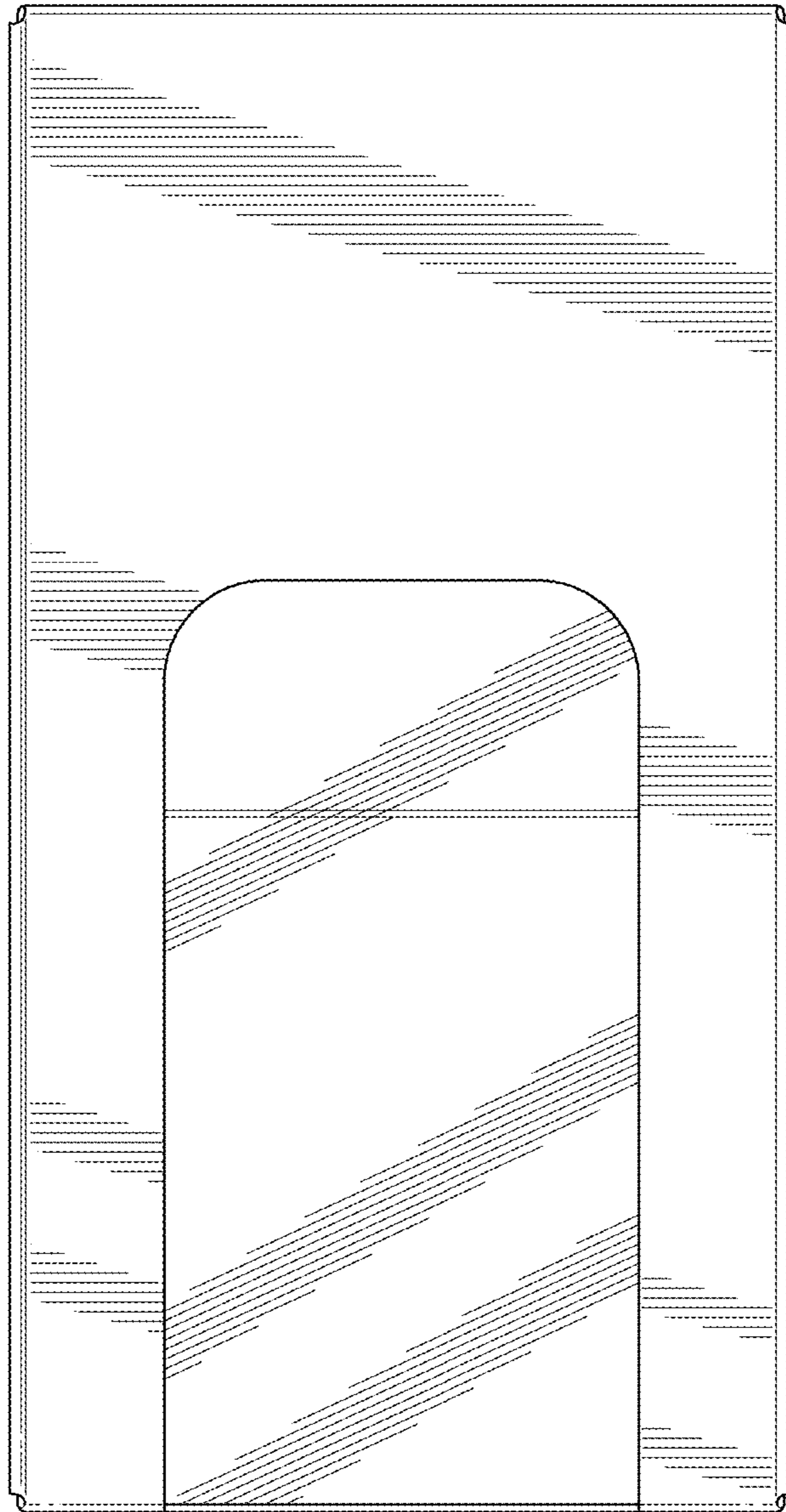


FIG. 40

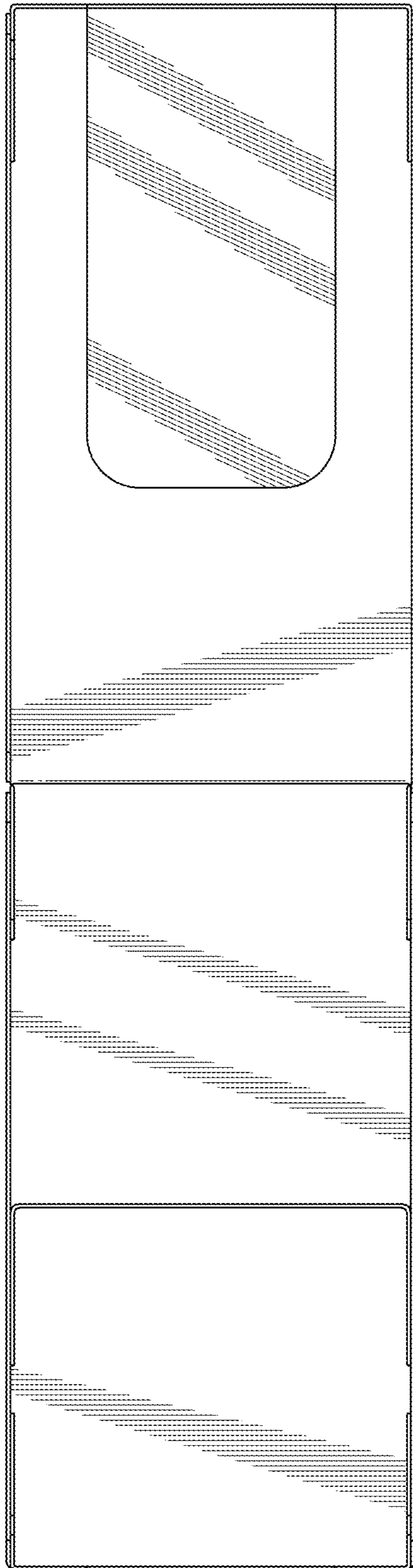


FIG. 41

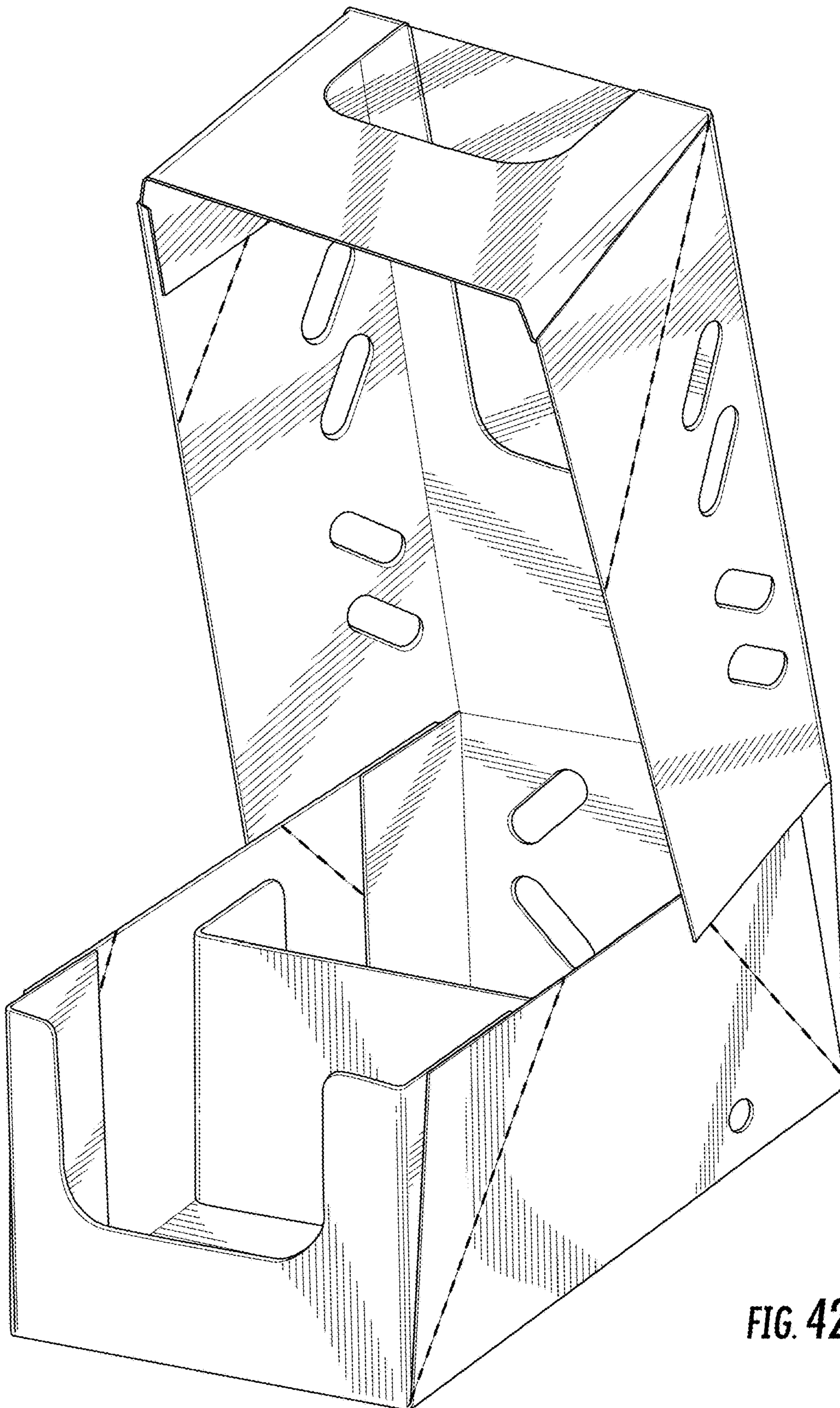


FIG. 42

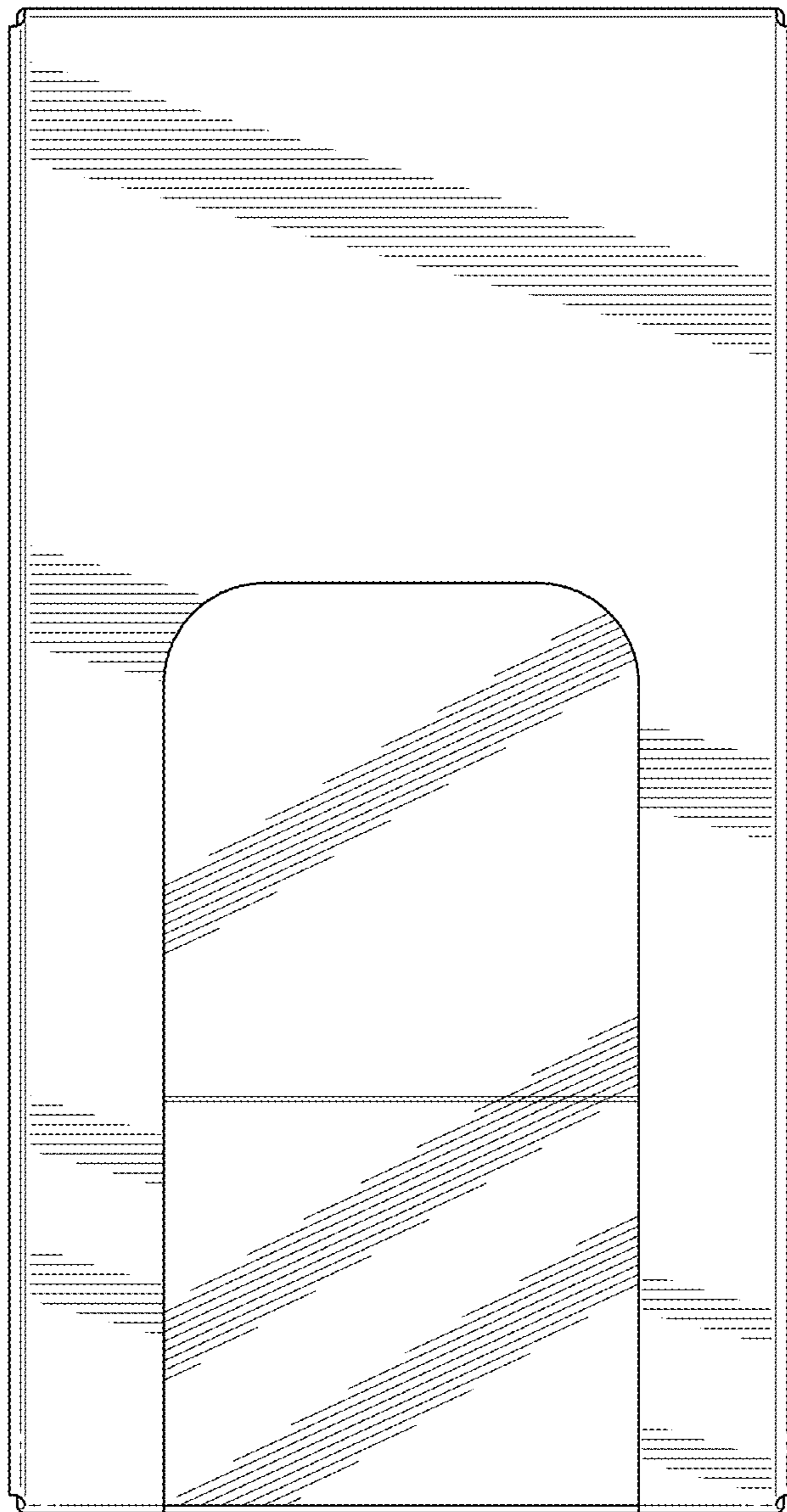


FIG. 43

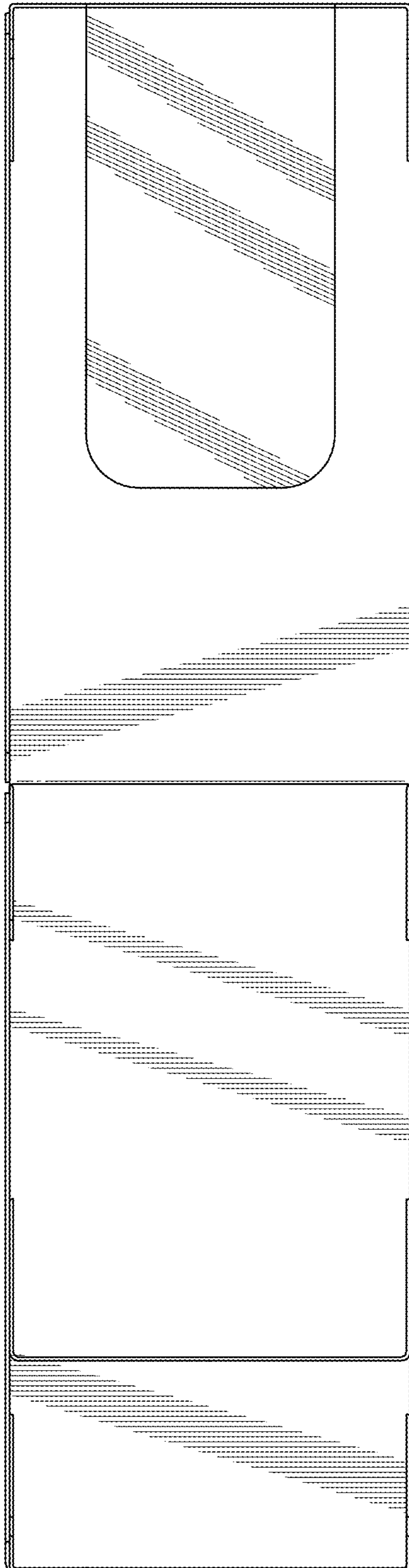


FIG. 44

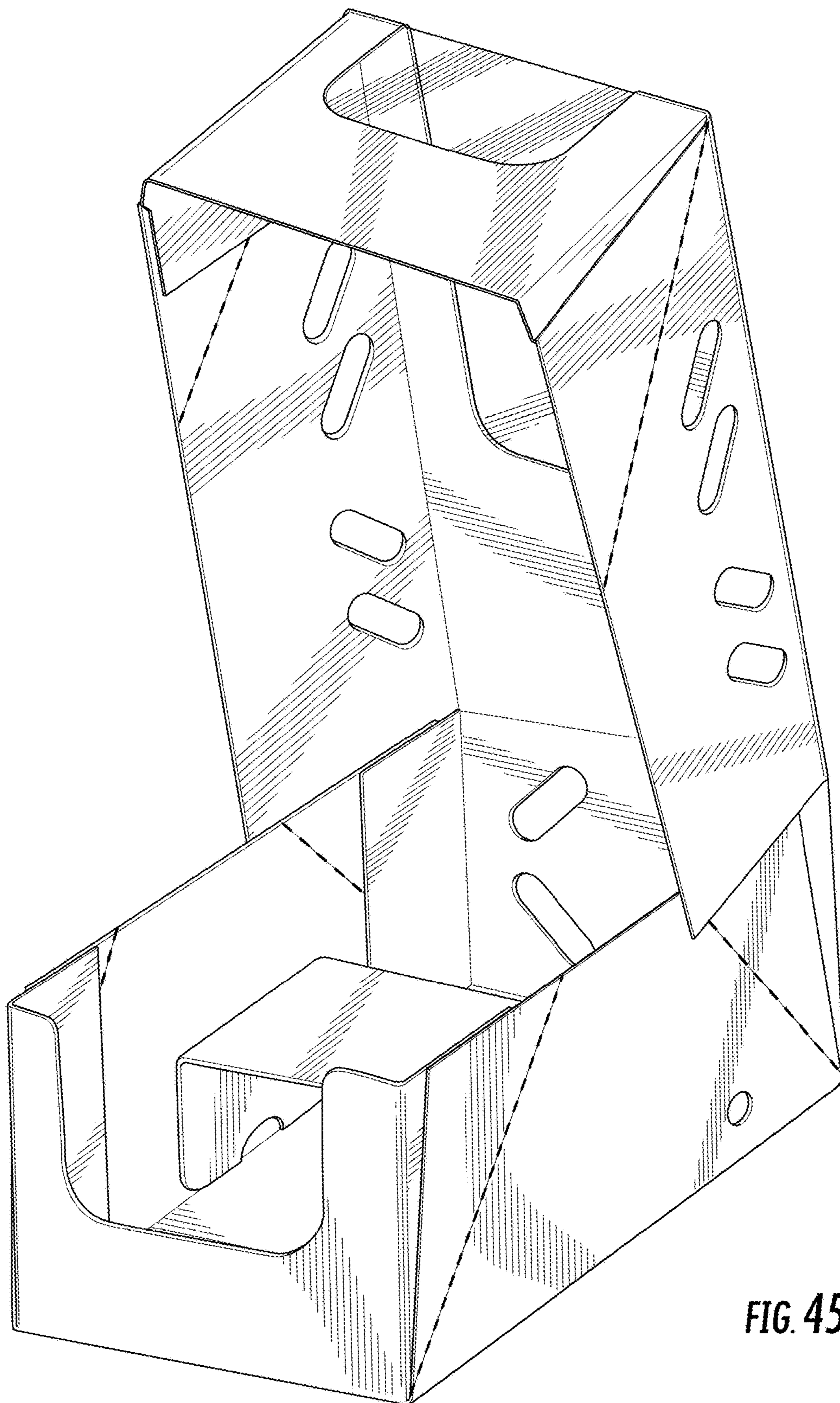


FIG. 45

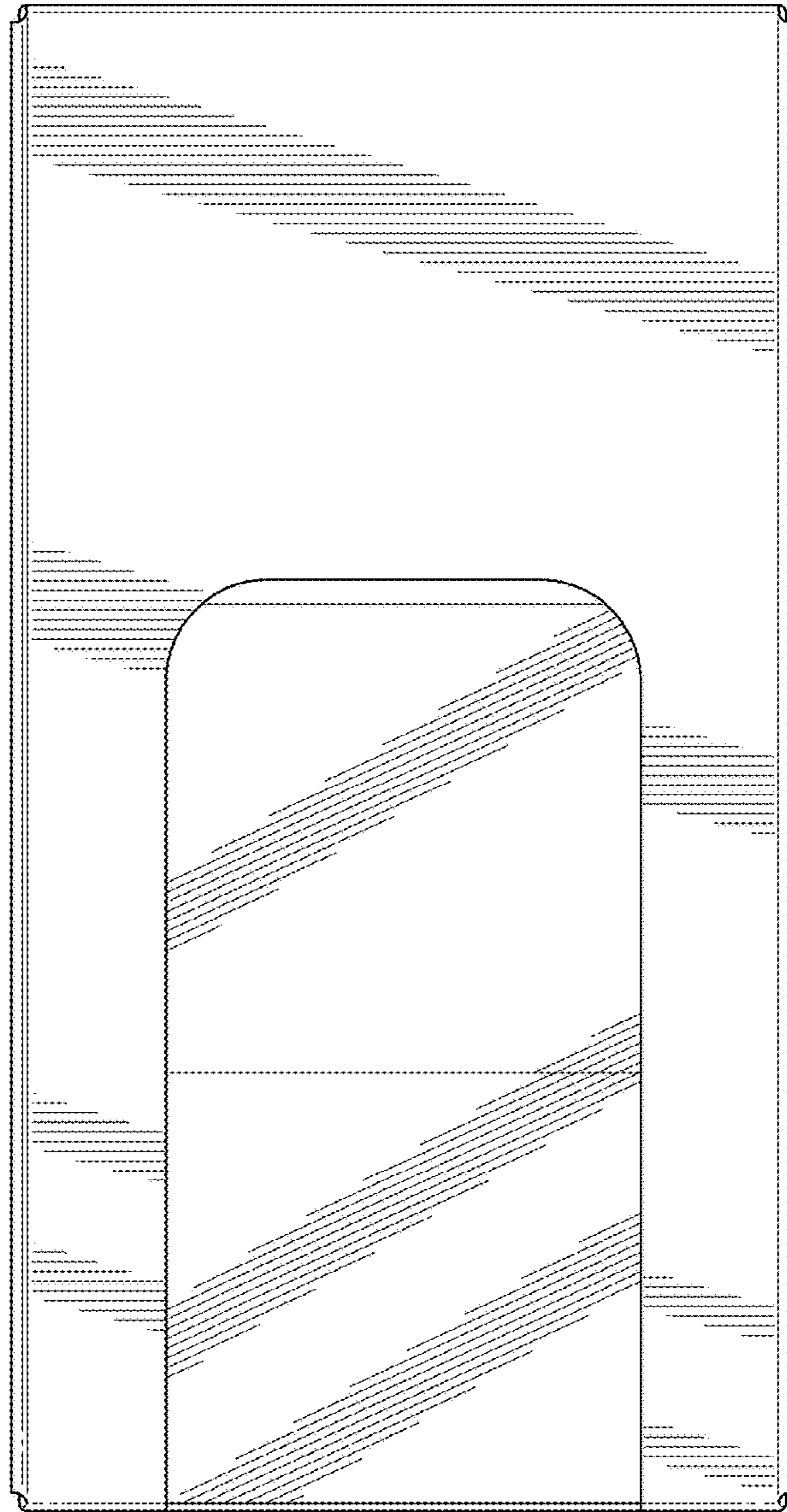


FIG. 46

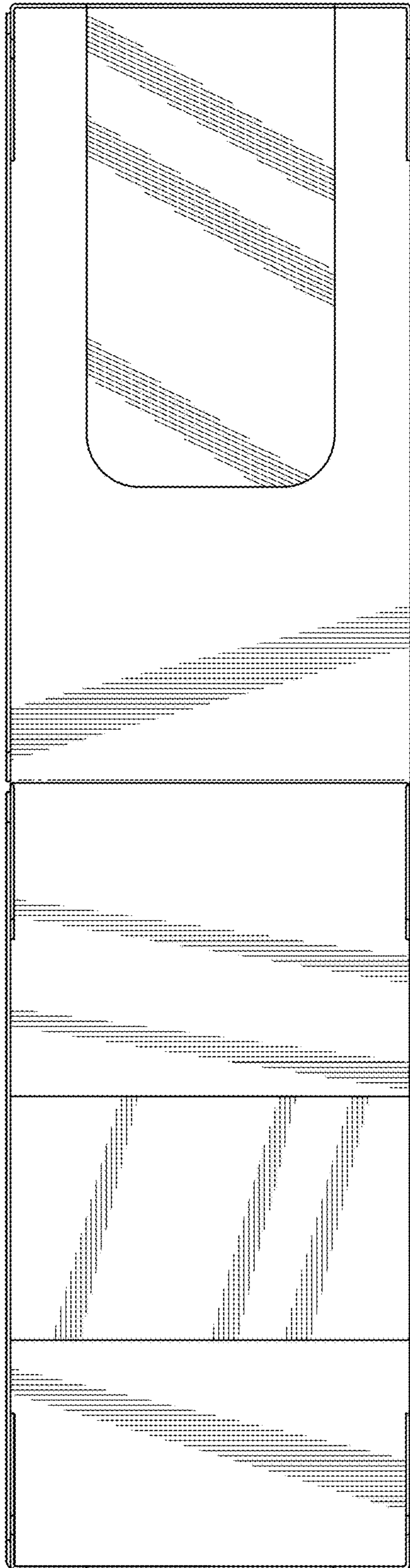


FIG. 47