



US00D835980S

(12) **United States Design Patent**  
**Kovacs**

(10) **Patent No.:** **US D835,980 S**

(45) **Date of Patent:** **\*\* Dec. 18, 2018**

(54) **SNOW FENCE FOR A ROOF OR OTHER STRUCTURE**

(71) Applicant: **PMC INDUSTRIES, INC.**, Plainville, CT (US)

(72) Inventor: **Xamas Kovacs**, Burlington, CT (US)

(\*\*) Term: **15 Years**

(21) Appl. No.: **35/001,332**

(22) Filed: **Mar. 1, 2017**

(80) **Hague Agreement Data**

Int. Filing Date: **Mar. 1, 2017**

Int. Reg. No.: **DM/097070**

Int. Reg. Date: **Mar. 1, 2017**

Int. Reg. Pub. Date: **Aug. 11, 2017**

(51) **LOC (11) Cl.** ..... **08-99**

(52) **U.S. Cl.**  
USPC ..... **D8/499**

(58) **Field of Classification Search**  
USPC ..... D8/499  
CPC ..... E04D 13/10; E04D 13/00  
See application file for complete search history.

(56) **References Cited**

**U.S. PATENT DOCUMENTS**

- 441,668 A 12/1890 McAuley
- 1,085,474 A \* 1/1914 Peterson ..... E04D 13/10  
52/15
- 3,142,937 A 8/1964 Ess
- 3,214,876 A 11/1965 Mattes
- D230,582 S \* 3/1974 LaBorde ..... D25/119
- D235,620 S \* 7/1975 Everett ..... 174/38
- 3,897,667 A 8/1975 Turek et al.
- 3,901,481 A 8/1975 Probst et al.
- 4,193,247 A 3/1980 Heckelsberg
- 4,194,333 A 3/1980 Paton et al.
- 4,299,008 A \* 11/1981 Burns ..... A47H 1/06  
16/95 D
- D270,516 S \* 9/1983 Achille ..... D8/354

- 4,571,897 A 2/1986 Kerr et al.
- 4,594,829 A 6/1986 Herrgord
- D293,037 S \* 12/1987 Capawana ..... D34/29
- D314,506 S \* 2/1991 McMullen ..... D8/499
- D323,133 S \* 1/1992 Newmark ..... D11/152

(Continued)

**FOREIGN PATENT DOCUMENTS**

- DE 2126082 A1 12/1972
- DE 2845103 A1 4/1980

(Continued)

**OTHER PUBLICATIONS**

aceclamp.com: Color Snap A2-N Snow Bar System. (c) 2018. 12 pages. Found online Jun. 19, 2018 at <http://www.aceclamp.com/roof-clamp-products/agentType/View/PropertyID/71/Color-Snap-A2-N-Snow-Bar-System> (Year: 2018).\*

*Primary Examiner* — Robert M. Spear

(74) *Attorney, Agent, or Firm* — Damian Wasserbauer, Esq.; Wasserbauer Law LLC

(57) **CLAIM**

The ornamental design for a snow fence for a roof or other structure, as shown and described.

**DESCRIPTION**

1. Roof snow fence

FIG. 1.1 is a perspective of the snow fence for roof of the present invention;

FIG. 1.2 is a front view thereof;

FIG. 1.3 is a back view thereof;

FIG. 1.4 is a top view thereof;

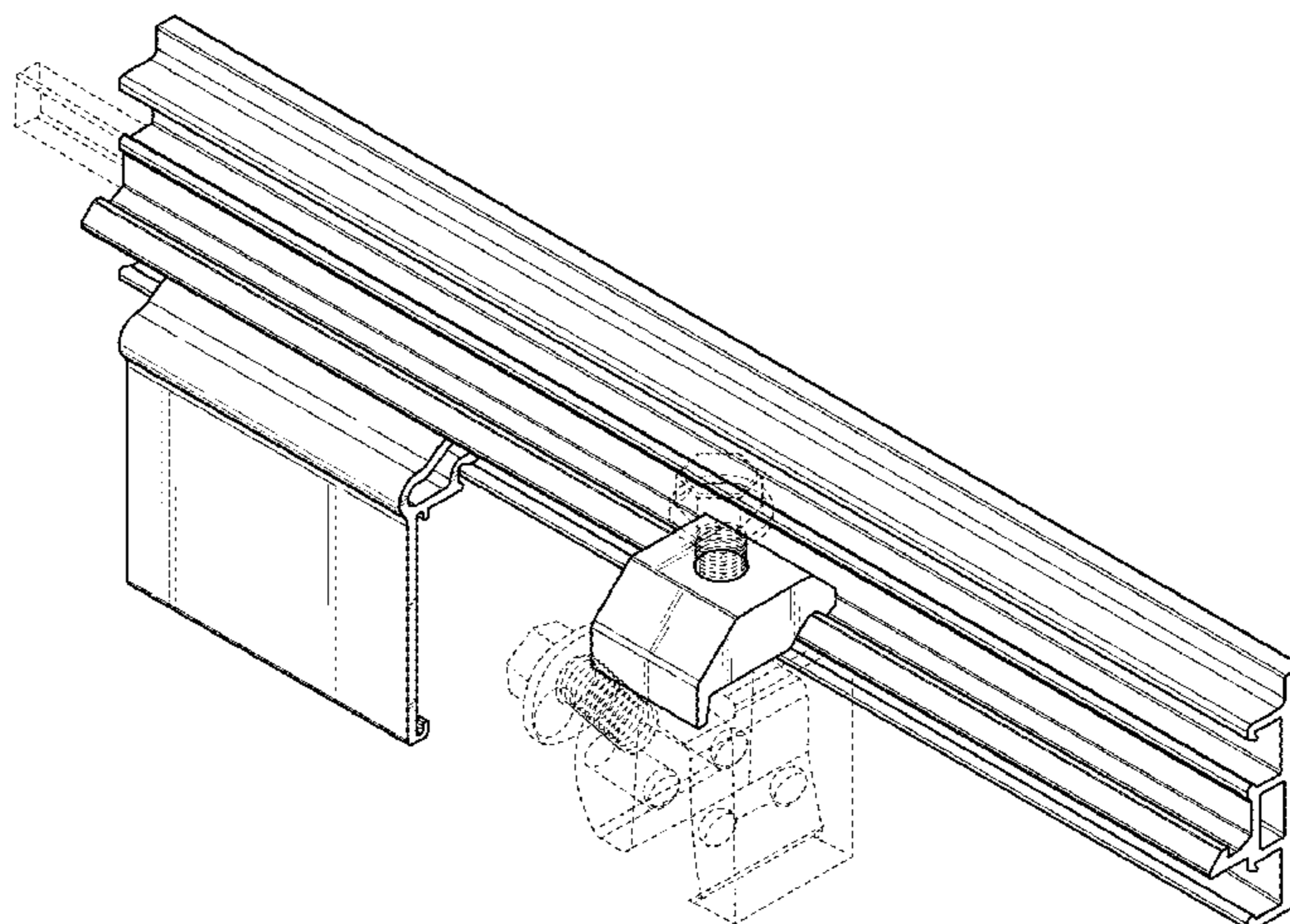
FIG. 1.5 is a bottom view thereof;

FIG. 1.6 is a left side view thereof, the right side view is a mirror image of the left side view; and

FIG. 1.7 is an exploded view of the snow fence in operational environment.

The parts shown by means of broken lines in the reproductions are not part of the claimed design.

**1 Claim, 7 Drawing Sheets**



(56)

**References Cited**

U.S. PATENT DOCUMENTS

5,152,107 A 10/1992 Strickert  
 5,247,773 A 9/1993 Weir  
 5,271,194 A 12/1993 Drew  
 5,515,941 A 5/1996 Palmer  
 5,557,903 A 9/1996 Haddock  
 5,609,326 A 3/1997 Stearns  
 5,636,481 A 6/1997 De Zen  
 5,778,491 A 7/1998 Boer  
 5,988,578 A 11/1999 Davies  
 6,357,184 B1 3/2002 Alley  
 6,470,628 B1 10/2002 Haddock  
 6,536,166 B1 3/2003 Alley  
 D483,168 S \* 12/2003 McDaniel ..... D34/29  
 6,688,047 B1 \* 2/2004 McNichol ..... E04D 13/10  
 52/25  
 D536,243 S \* 2/2007 McNichol ..... D8/499  
 7,703,256 B2 \* 4/2010 Haddock ..... F16B 5/0004  
 52/24

D625,176 S \* 10/2010 Fisher ..... D8/499  
 8,065,838 B2 \* 11/2011 Hockman ..... E04D 13/10  
 52/24  
 8,272,172 B2 \* 9/2012 Li ..... F24S 25/33  
 52/24  
 D713,425 S \* 9/2014 Irion ..... D15/32  
 9,850,661 B2 \* 12/2017 Kovacs ..... E04D 13/10  
 2013/0168525 A1 \* 7/2013 Haddock ..... E04D 13/10  
 248/505  
 2016/0177984 A1 \* 6/2016 Kovacs ..... B25B 5/003  
 361/825

FOREIGN PATENT DOCUMENTS

DE 3716491 A1 12/1988  
 EP 273833 A1 9/1990  
 EP 2339087 A1 6/2011  
 FR 2638772 A1 5/1990  
 WO 2015006619 A1 1/2015

\* cited by examiner

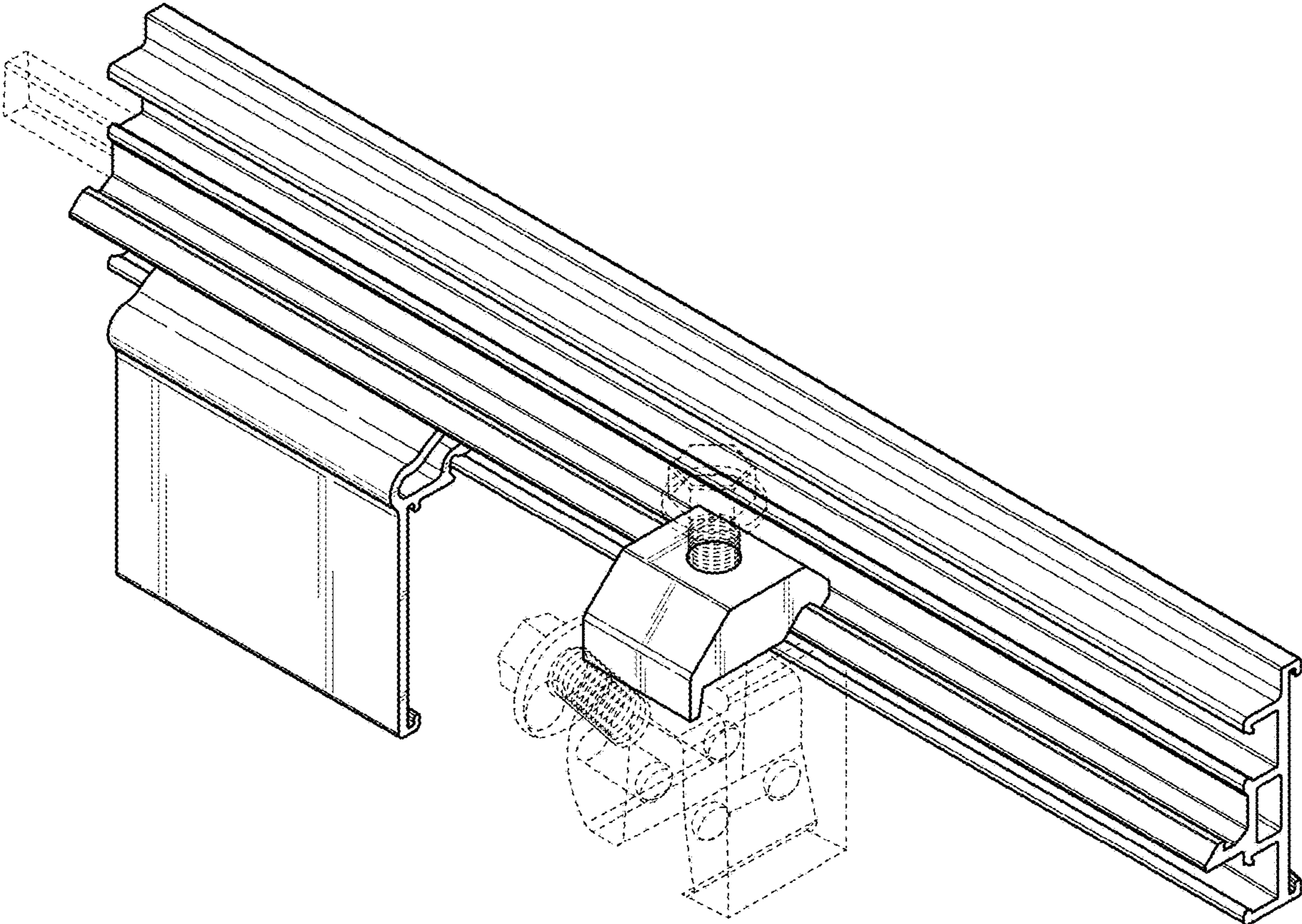


FIG. 1.1



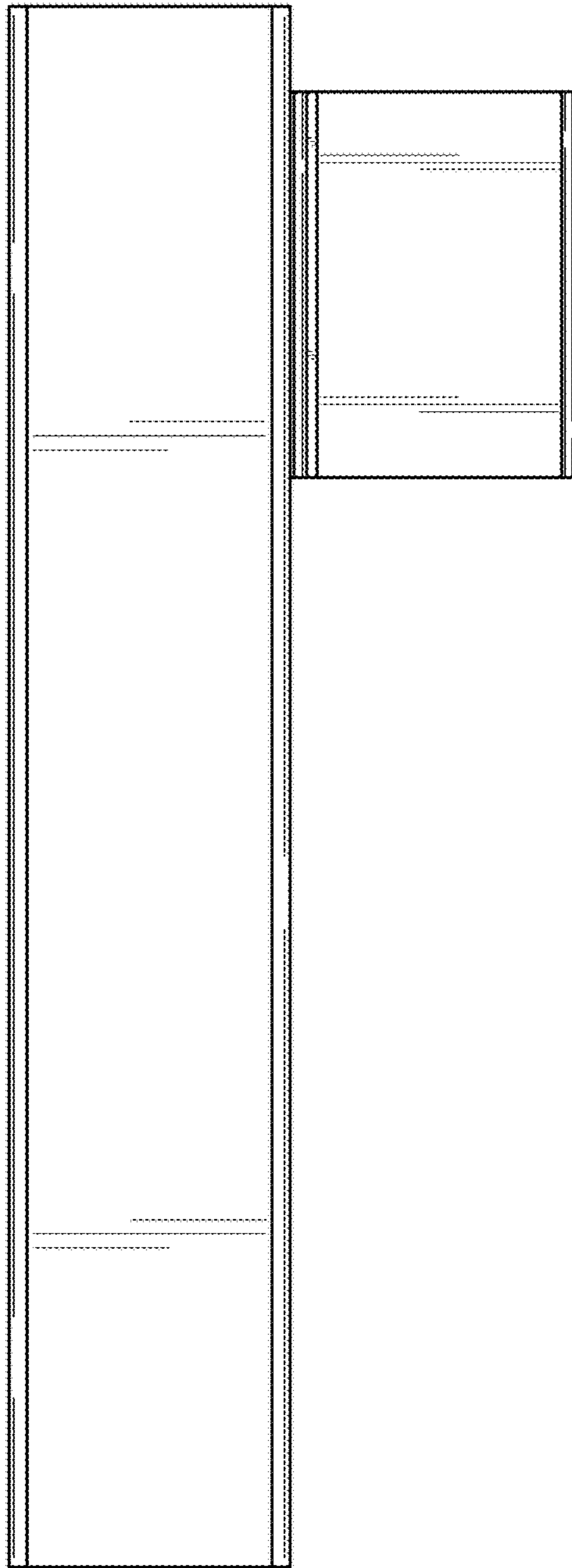


FIG. 1.2

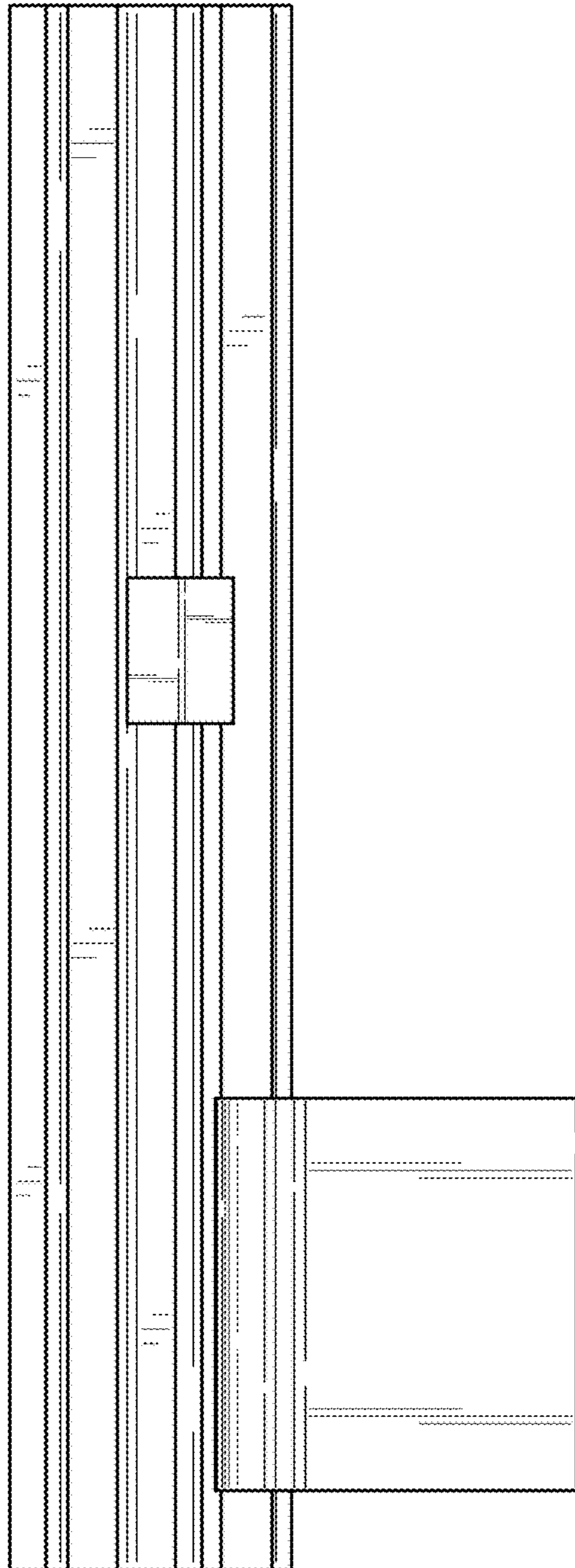


FIG. 1.3

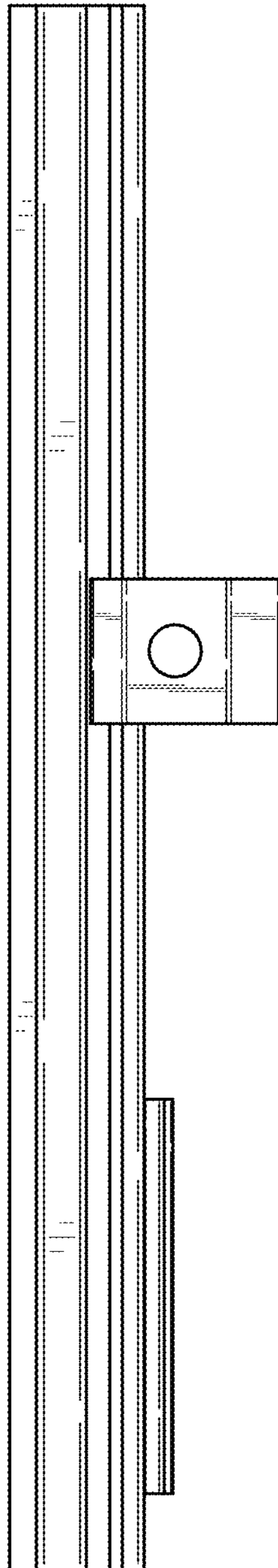


FIG. 1.4

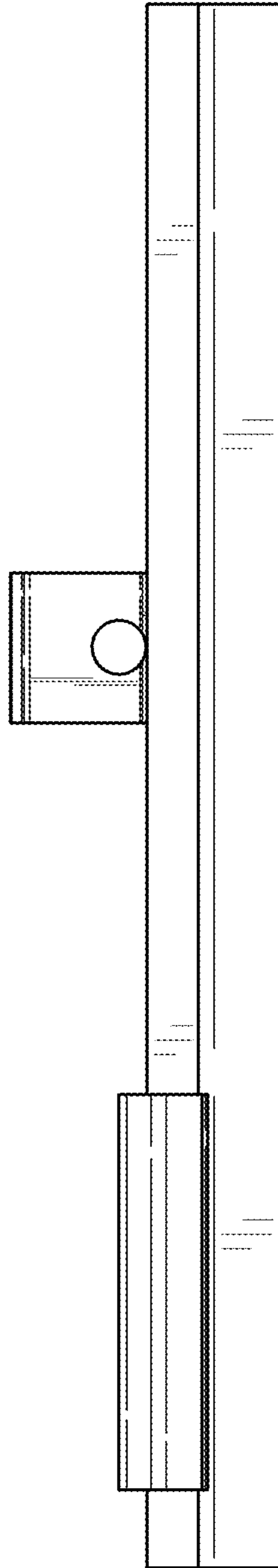


FIG. 1.5

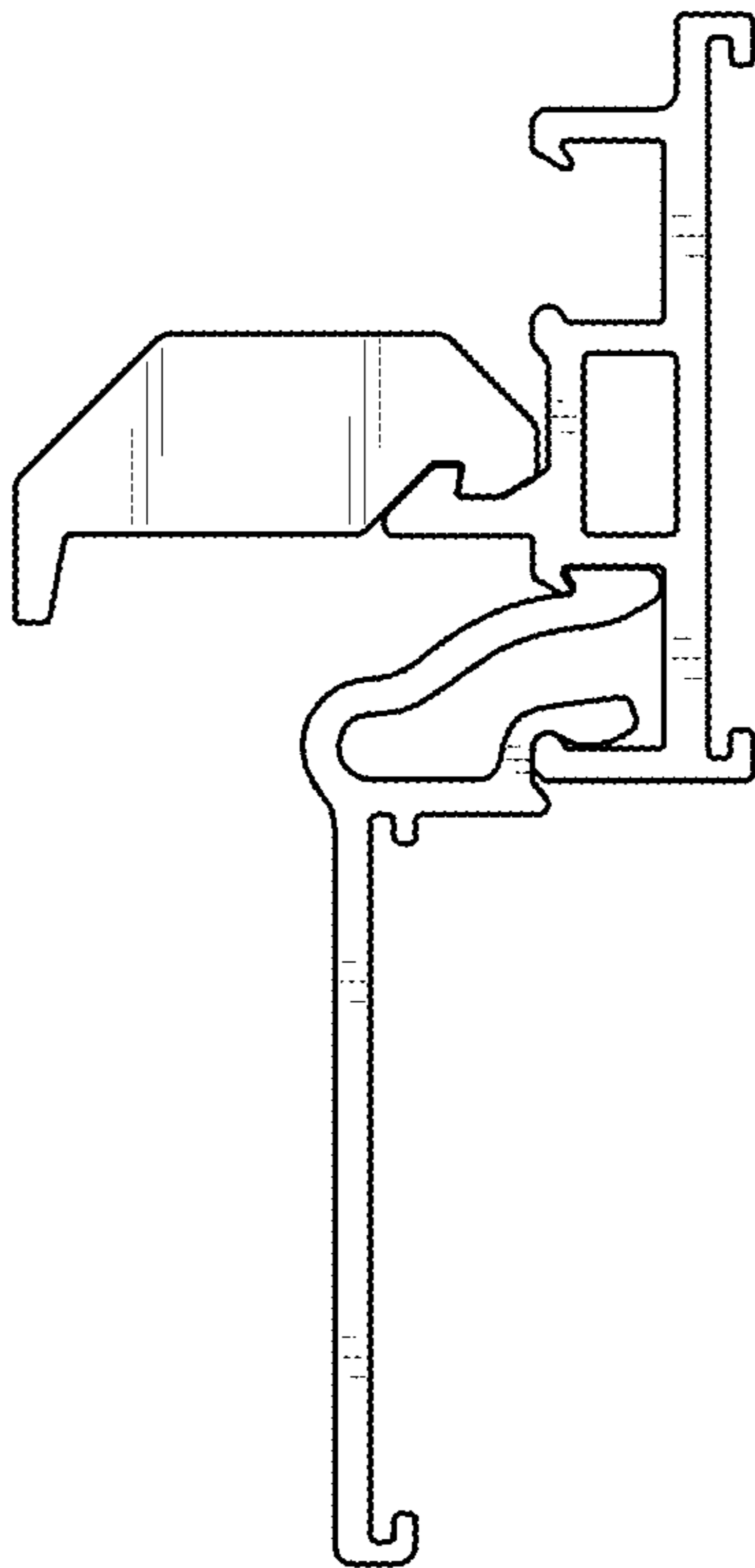


FIG. 1.6



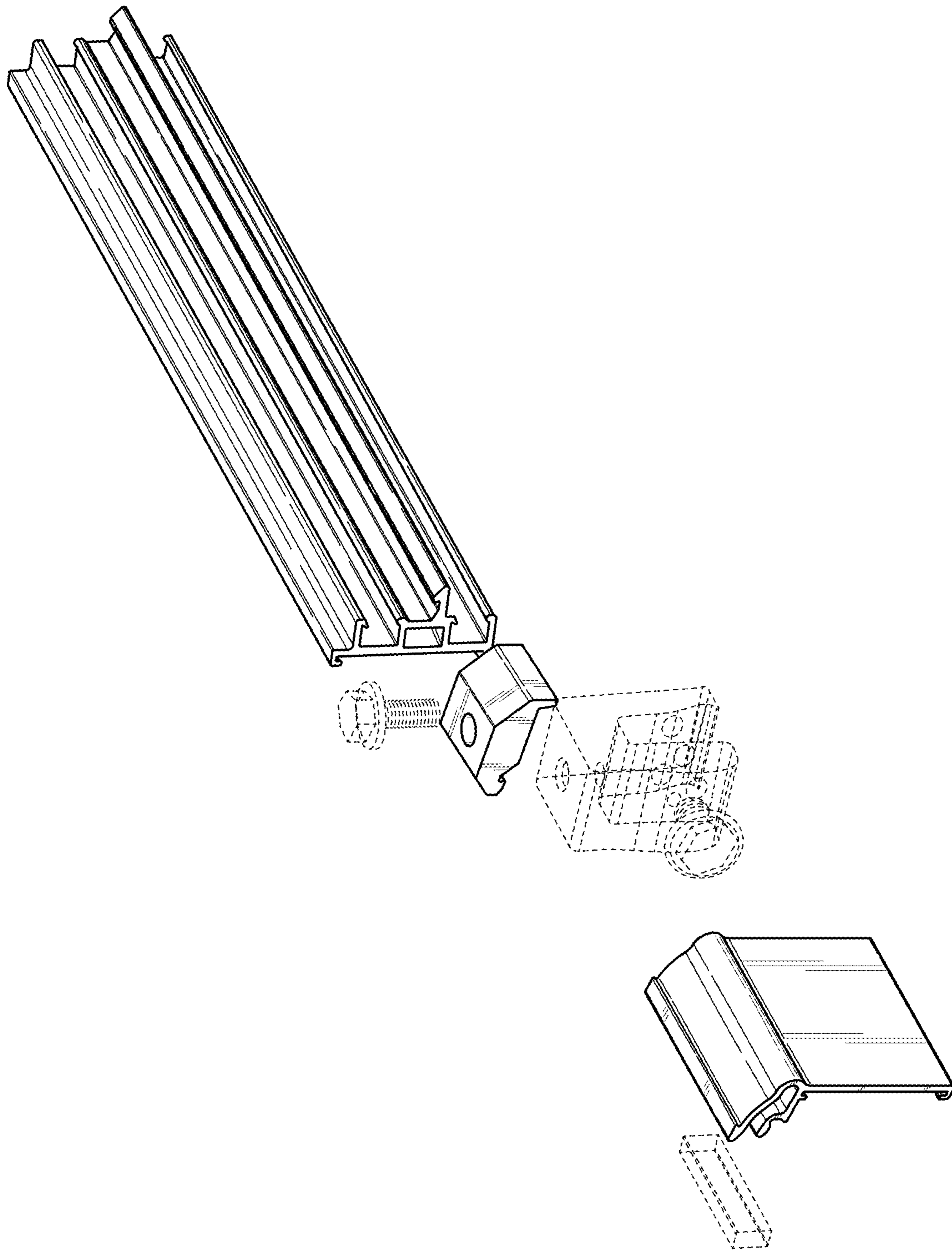


FIG. 1.7