



US00D835978S

(12) **United States Design Patent** (10) **Patent No.:** **US D835,978 S**
Ikeda (45) **Date of Patent:** **** Dec. 18, 2018**

(54) **NUT**
(71) Applicant: **YAMASHINA CORPORATION,**
Kyoto (JP)
(72) Inventor: **Seiji Ikeda,** Shiga (JP)
(73) Assignee: **YAMASHINA CORPORATION,**
Kyoto (JP)
(**) Term: **15 Years**

D287,819 S * 1/1987 Bullen D8/385
D289,374 S * 4/1987 Ziaylek, Jr. D8/382
4,840,523 A * 6/1989 Oshida F16B 19/1081
411/48
D623,049 S * 9/2010 Zeyfang D8/397
D628,056 S * 11/2010 Busch D8/385
D659,218 S * 5/2012 Palomaki D22/107
8,226,339 B2 * 7/2012 Neri F16B 37/067
411/161
D684,678 S * 6/2013 Okada D23/411
D688,937 S * 9/2013 Brewer D8/382
D704,044 S * 5/2014 Makino D8/397
9,651,080 B2 * 5/2017 Eggers F16B 37/125

(Continued)

(21) Appl. No.: **29/607,519**

(22) Filed: **Jun. 14, 2017**

(30) **Foreign Application Priority Data**

Dec. 22, 2016 (JP) 2016-027971

(51) **LOC (11) Cl.** **08-08**

(52) **U.S. Cl.**
USPC **D8/397**

(58) **Field of Classification Search**
USPC D8/349, 354, 382, 385, 387, 388, 393,
D8/397, 399

CPC F16B 37/00; F16B 37/14; F16B 2037/007;
F16B 35/041; F16B 35/06; F16B 37/145

See application file for complete search history.

(56) **References Cited**

U.S. PATENT DOCUMENTS

D157,484 S * 2/1950 Gade 411/437
2,826,631 A * 3/1958 Rohe F16B 33/004
174/138 R
3,722,565 A * 3/1973 Miller, Jr. A47B 91/024
248/188.4
D228,340 S * 9/1973 Jennings D8/385
D243,510 S * 3/1977 Shirey D23/316
D243,582 S * 3/1977 Shirey D23/316
D262,864 S * 2/1982 Schavilje D8/385
D264,429 S * 5/1982 Foscarini D8/385

OTHER PUBLICATIONS

Takene's product information of prior art nuts, found on the Internet
at <http://www.takene.co.jp/service1.html>.

(Continued)

Primary Examiner — Sandra S Snapp

Assistant Examiner — Ieisha N Price

(74) *Attorney, Agent, or Firm* — Capitol City TechLaw

(57) **CLAIM**

The ornamental design for a nut, as shown and described.

DESCRIPTION

FIG. 1 is a top perspective view of a nut showing my new design;

FIG. 2 is a front view thereof, the rear view being a mirror image thereof;

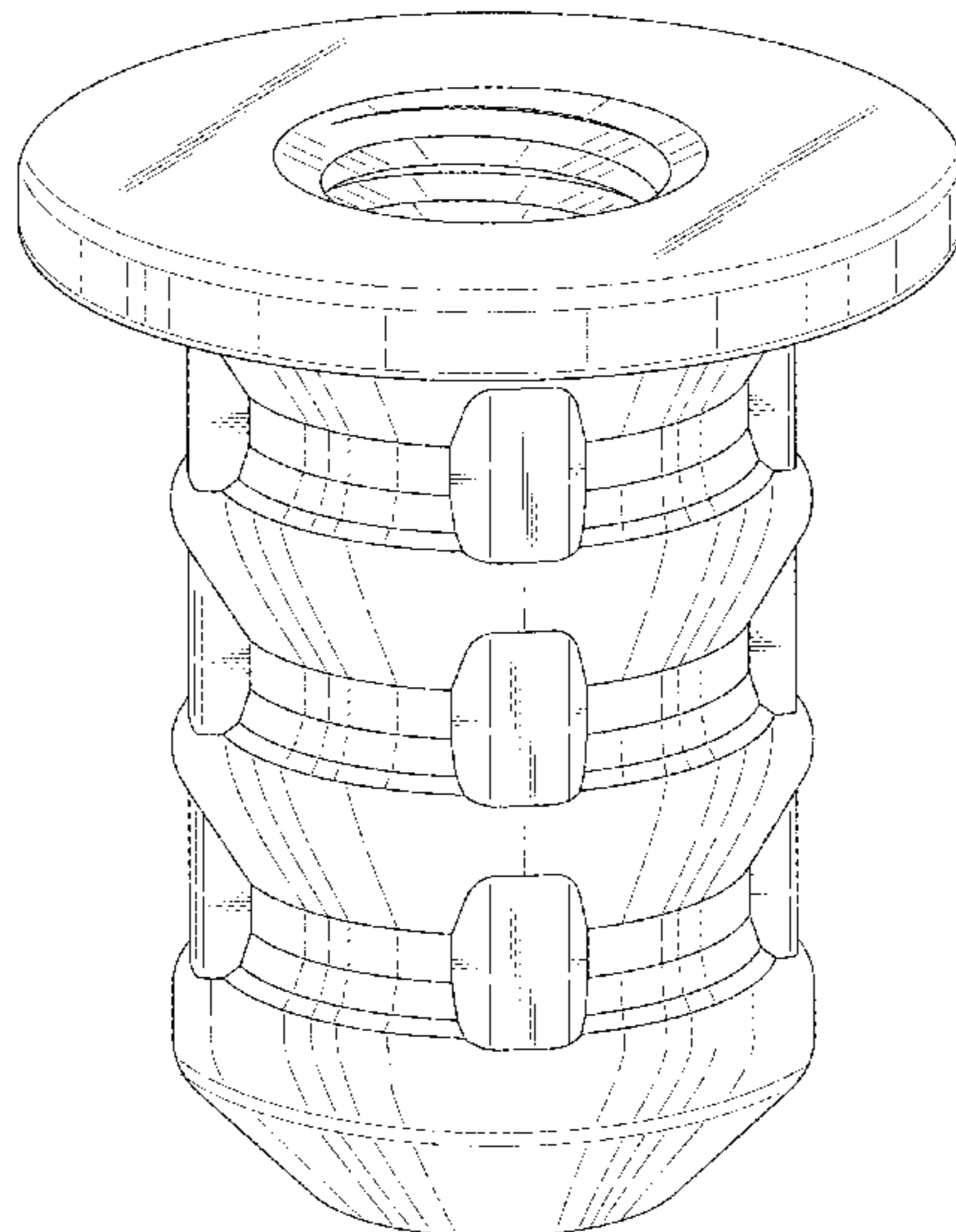
FIG. 3 is a left side view thereof, the right side view being a mirror image thereof;

FIG. 4 is a top view thereof; and,

FIG. 5 is a bottom view thereof.

The dashed broken lines shown in the figures illustrate portions of the nut that form no part of the claimed design.

1 Claim, 5 Drawing Sheets



(56)

References Cited

U.S. PATENT DOCUMENTS

D806,520 S * 1/2018 Krombein D8/354
2002/0021948 A1* 2/2002 Stumpf F16B 37/122
411/180
2003/0152442 A1* 8/2003 Curley, Jr. F16B 37/061
411/427
2006/0291974 A1* 12/2006 McGee B25B 27/0014
411/171
2008/0240883 A1* 10/2008 Walling F16B 37/125
411/178
2009/0080998 A1* 3/2009 Nagayama F16B 3/06
411/432
2011/0268526 A1* 11/2011 Wu E21D 21/008
411/1
2012/0076613 A1* 3/2012 Ishida F16B 11/006
411/337
2013/0017032 A1* 1/2013 Levey F16B 37/122
411/103
2015/0233411 A1* 8/2015 Eggers F16B 39/04
29/456
2017/0159695 A1* 6/2017 Muuttonen F16B 5/02

OTHER PUBLICATIONS

Yuewing Guchuan Electric's product information of prior art nuts, found on the internet at https://guchuandz.en.alibaba.com/product/60301340060-801823002/press_in_threaded_insert_for-plastic_NFPC_NFPA_PFLB_PKB_PPB_M6_M10_S7_5.html?spm=a2700.8304367.prewdfa4cf.37.73152c54FBZe91.

* cited by examiner

FIG. 1

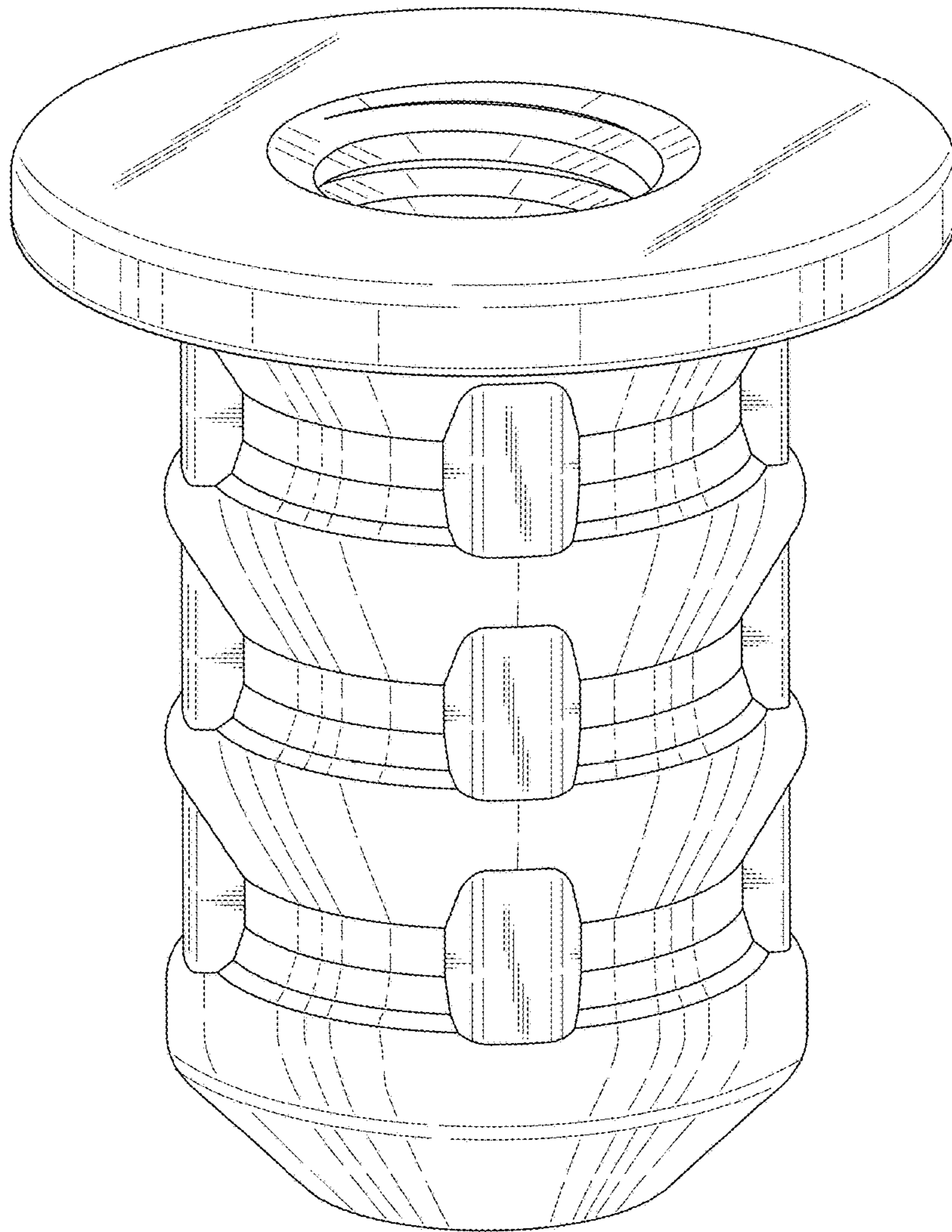


FIG. 2

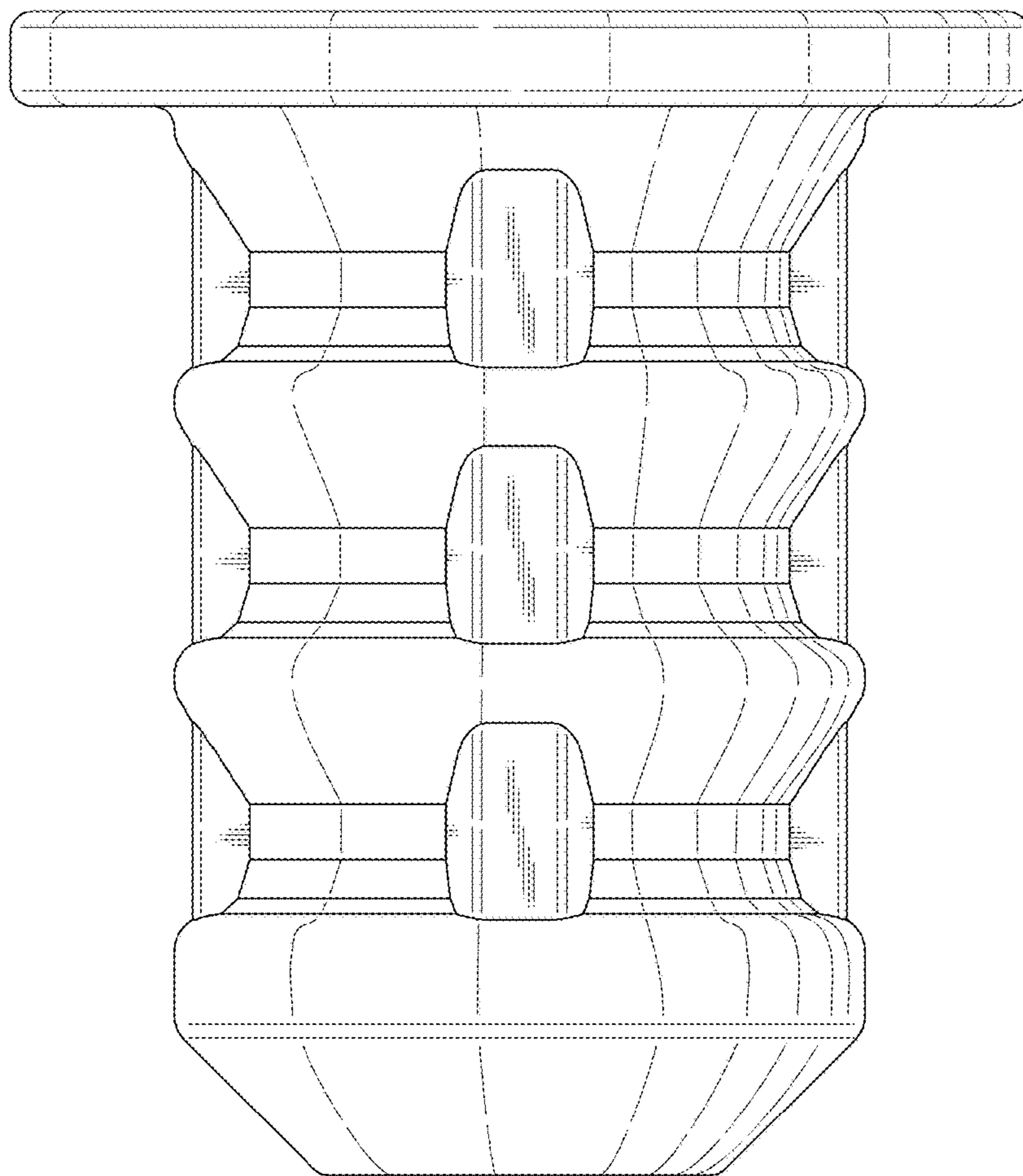


FIG. 3

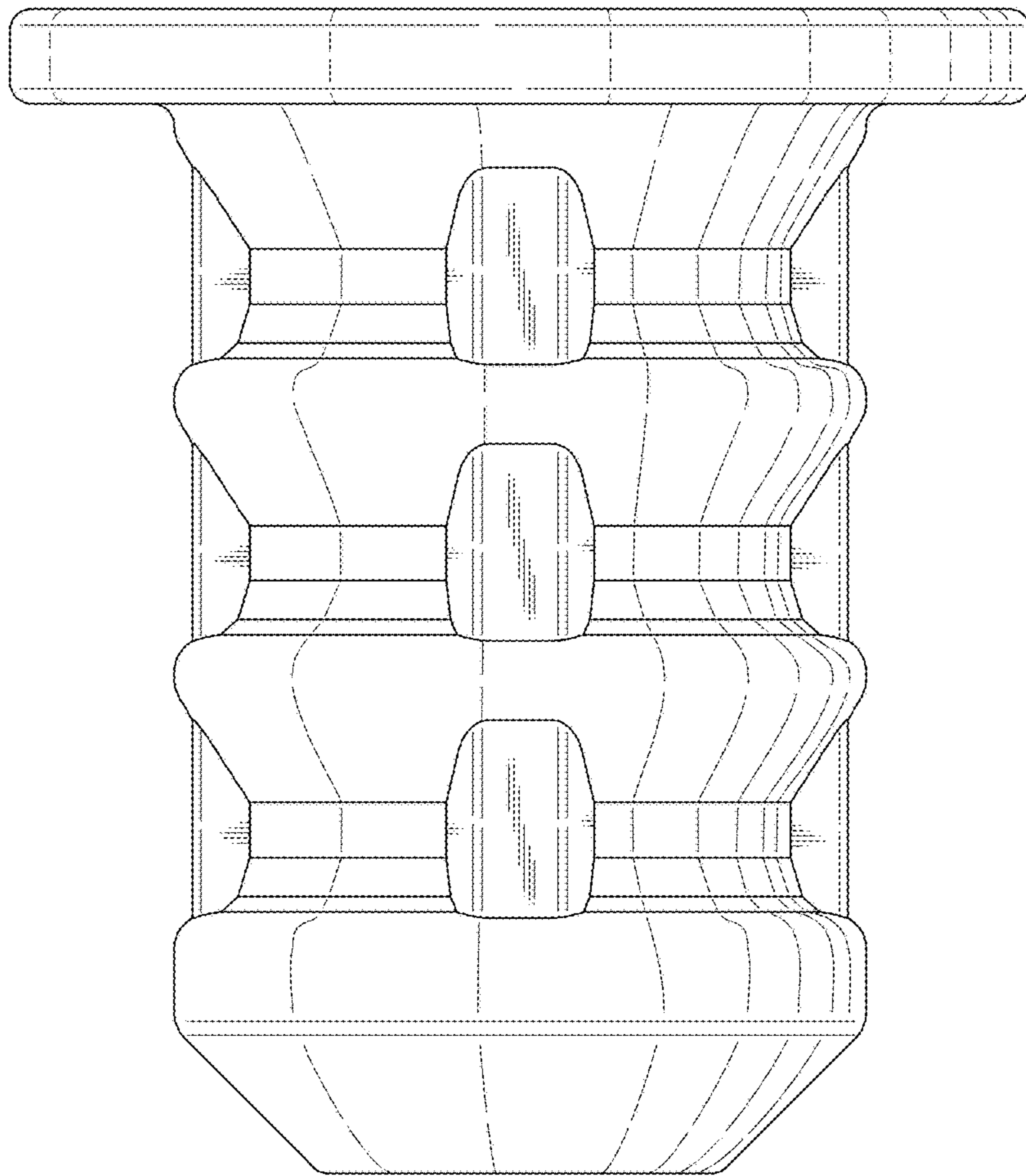


FIG. 4

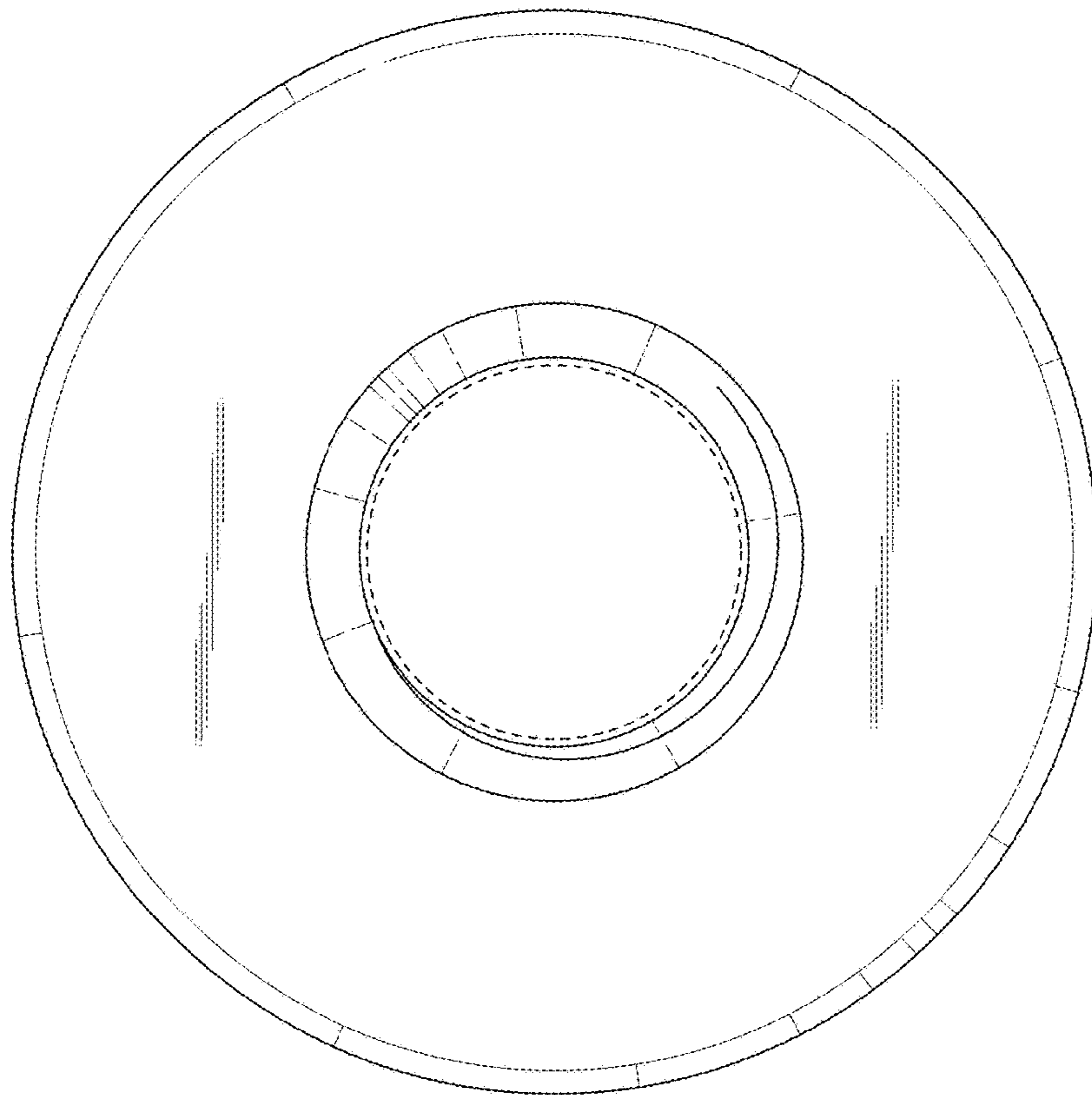


FIG. 5

