



US00D835975S

(12) **United States Design Patent** (10) **Patent No.:** **US D835,975 S**
Putnam, Jr. (45) **Date of Patent:** **** Dec. 18, 2018**

(54) **EARPHONE HOLDER**

(71) Applicant: **John Putnam, Jr.**, Boulder, CO (US)

(72) Inventor: **John Putnam, Jr.**, Boulder, CO (US)

(**) Term: **15 Years**

(21) Appl. No.: **29/625,187**

(22) Filed: **Nov. 7, 2017**

(51) **LOC (11) Cl.** **09-06**

(52) **U.S. Cl.**
USPC **D8/356**

(58) **Field of Classification Search**

USPC D8/356, 354
CPC B65H 57/16; B63B 21/045
See application file for complete search history.

(56) **References Cited**

U.S. PATENT DOCUMENTS

1,371,619	A *	3/1921	Greenstreet	A63H 33/06
					446/124
2,229,935	A *	1/1941	Powers	E04H 15/322
					24/129 B
4,244,544	A *	1/1981	Kornat	F16L 3/13
					248/68.1
5,316,246	A *	5/1994	Scott	A61M 5/1418
					248/68.1
D372,188	S *	7/1996	Van Dyke	D8/358
					(Continued)

Primary Examiner — Cynthia R Underwood

(74) *Attorney, Agent, or Firm* — Dorsey & Whitney LLP

(57) **CLAIM**

I claim the ornamental design for an earphone holder, as shown and described.

DESCRIPTION

FIG. 1 is a top isometric view of an earphone holder according to a first embodiment.

FIG. 2 is a bottom isometric view of the earphone holder of FIG. 1.

FIG. 3 is a front elevation view of the earphone holder of FIG. 1.

FIG. 4 is a rear elevation view of the earphone holder of FIG. 1.

FIG. 5 is a top plan view of the earphone holder of FIG. 1. FIG. 6 is a bottom plan view of the earphone holder of FIG. 1.

FIG. 7 is a right side elevation view of the earphone holder of FIG. 1.

FIG. 8 is a left side elevation view of the earphone holder of FIG. 1.

FIG. 9 is an isometric view of the earphone holder of FIG. 1 with alternative features shown in broken lines.

FIG. 10 is an isometric view of an earphone holder according to a second embodiment.

FIG. 11 is a front elevation view of the earphone holder of FIG. 9.

FIG. 12 is a rear elevation view of the earphone holder of FIG. 9.

FIG. 13 is a top plan view of the earphone holder of FIG. 9.

FIG. 14 is a bottom plan view of the earphone holder of FIG. 9.

FIG. 15 is a left side elevation view of the earphone holder of FIG. 9.

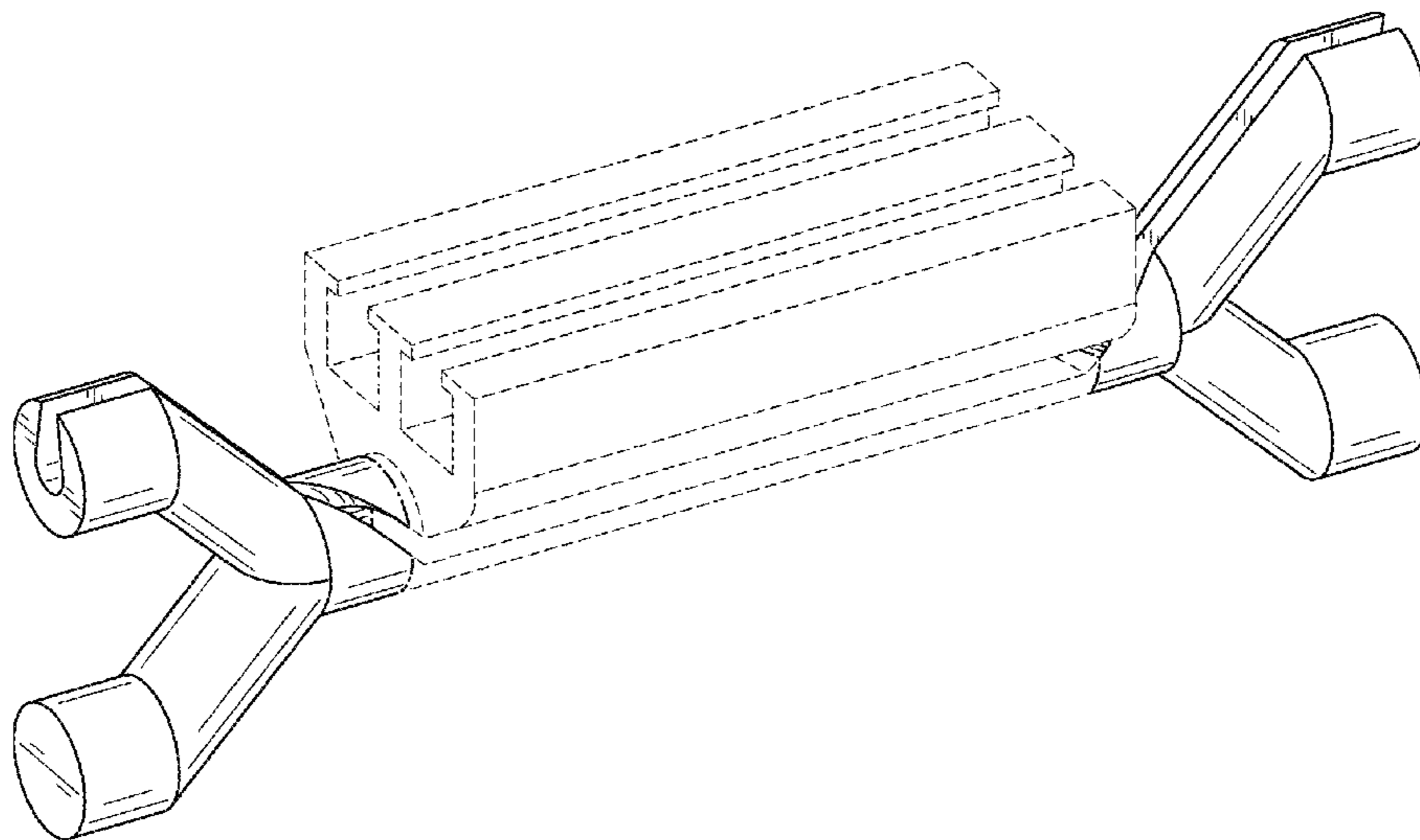
FIG. 16 is a right side elevation view of the earphone holder of FIG. 9.

FIG. 17 is an isometric view of the earphone holder of FIG. 9 with alternative features shown in broken lines; and,

FIG. 18 is an isometric view of the earphone holder of FIG. 9 with alternative features shown in broken lines.

The dashed broken lines illustrate unclaimed portions of the earphone holder that form no part of the claimed design. The dash-dot broken lines illustrate unclaimed boundaries of the design and form no part of the claimed design.

1 Claim, 12 Drawing Sheets



(56)

References Cited

U.S. PATENT DOCUMENTS

5,954,301 A * 9/1999 Joseph H01R 9/2416
 248/68.1
 6,206,330 B1 * 3/2001 Oi F16B 37/0842
 248/635
 D488,054 S * 4/2004 Myers D8/356
 D568,254 S * 5/2008 Patchett D13/155
 D569,234 S * 5/2008 Young, IV D13/154
 D569,236 S * 5/2008 Young, IV D13/154
 D569,712 S * 5/2008 Young, IV D13/154
 D589,899 S * 4/2009 Huang D13/147
 D596,128 S * 7/2009 Hung D13/147
 D617,741 S * 6/2010 Fennell D13/154
 7,825,337 B2 * 11/2010 Young, IV H02G 3/30
 174/135
 D638,690 S * 5/2011 Hoek D8/356
 D638,691 S * 5/2011 Hoek D8/356
 D638,692 S * 5/2011 Hoek D8/356
 D639,145 S * 6/2011 Hoek D8/356
 D639,146 S * 6/2011 Hoek D8/356
 D640,527 S * 6/2011 Hoek D8/356
 D644,501 S * 9/2011 Chen D8/356
 D657,869 S * 4/2012 Mammen D24/128

D668,620 S * 10/2012 Convert D13/147
 D680,851 S * 4/2013 Lo D8/356
 8,998,151 B2 * 4/2015 Hoek F16L 3/223
 248/68.1
 D742,212 S * 11/2015 Hsu D8/396
 D743,048 S * 11/2015 Kuran D24/231
 D749,209 S * 2/2016 Uhlenkamp D24/128
 D767,500 S * 9/2016 Byrne D13/154
 D768,089 S * 10/2016 Liu D13/154
 D773,414 S * 12/2016 Hoffman D13/183
 D774,002 S * 12/2016 Hsieh D13/155
 9,618,143 B2 * 4/2017 Noble F16L 3/24
 D790,127 S * 6/2017 Verleur D27/183
 D799,941 S * 10/2017 Rothenberg D8/356
 D802,168 S * 11/2017 Lee D25/119
 D803,164 S * 11/2017 Noble D13/155
 D805,879 S * 12/2017 Garcia D8/356
 D822,122 S * 7/2018 Bilezikian D21/484
 D822,463 S * 7/2018 Han D8/360
 2004/0118982 A1 * 6/2004 Shillings F16L 3/223
 248/68.1
 2005/0189453 A1 * 9/2005 DeGuevara H02G 3/305
 248/68.1
 2007/0235597 A1 * 10/2007 Winchester F16L 3/223
 248/68.1

* cited by examiner

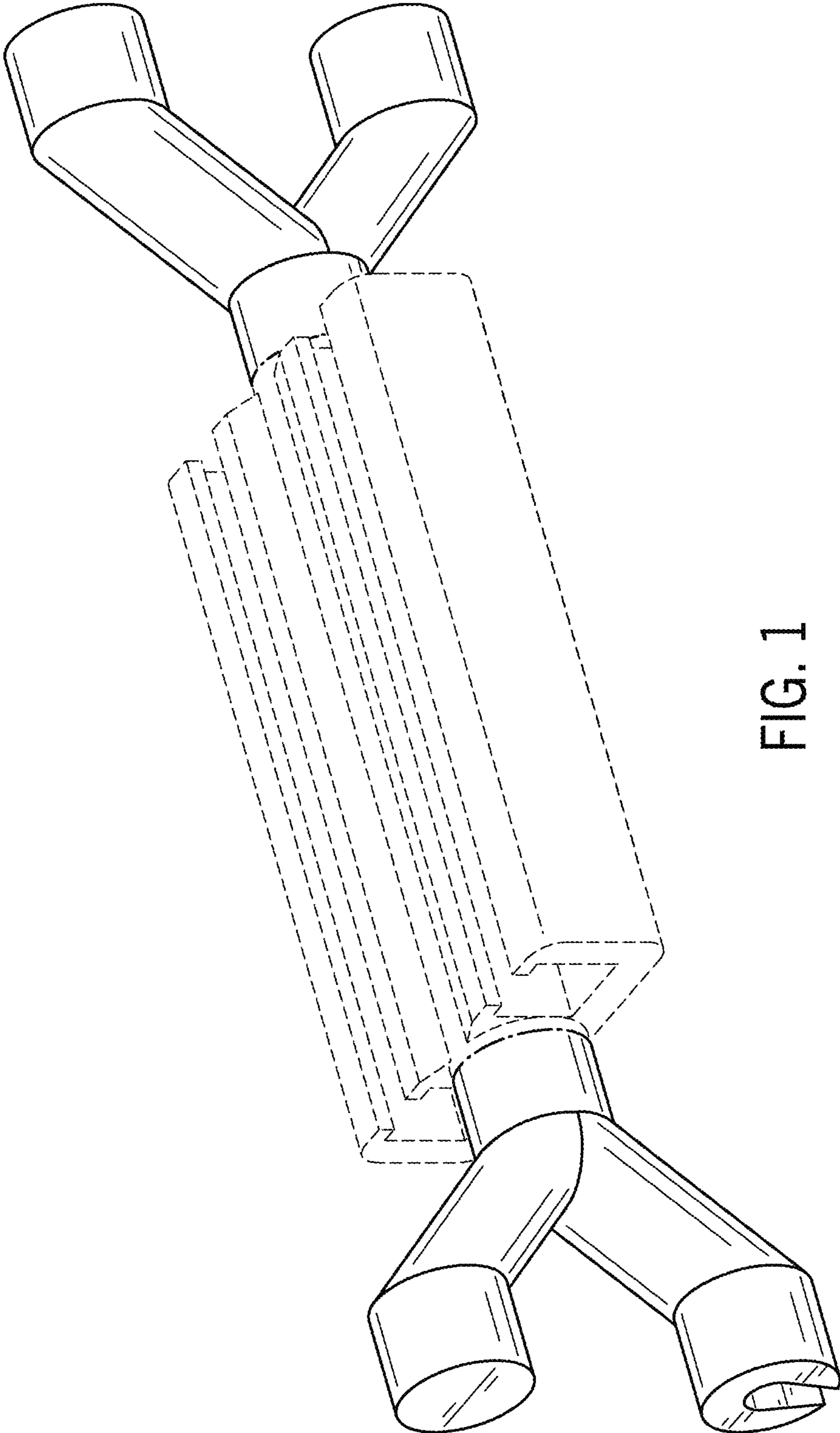


FIG. 1

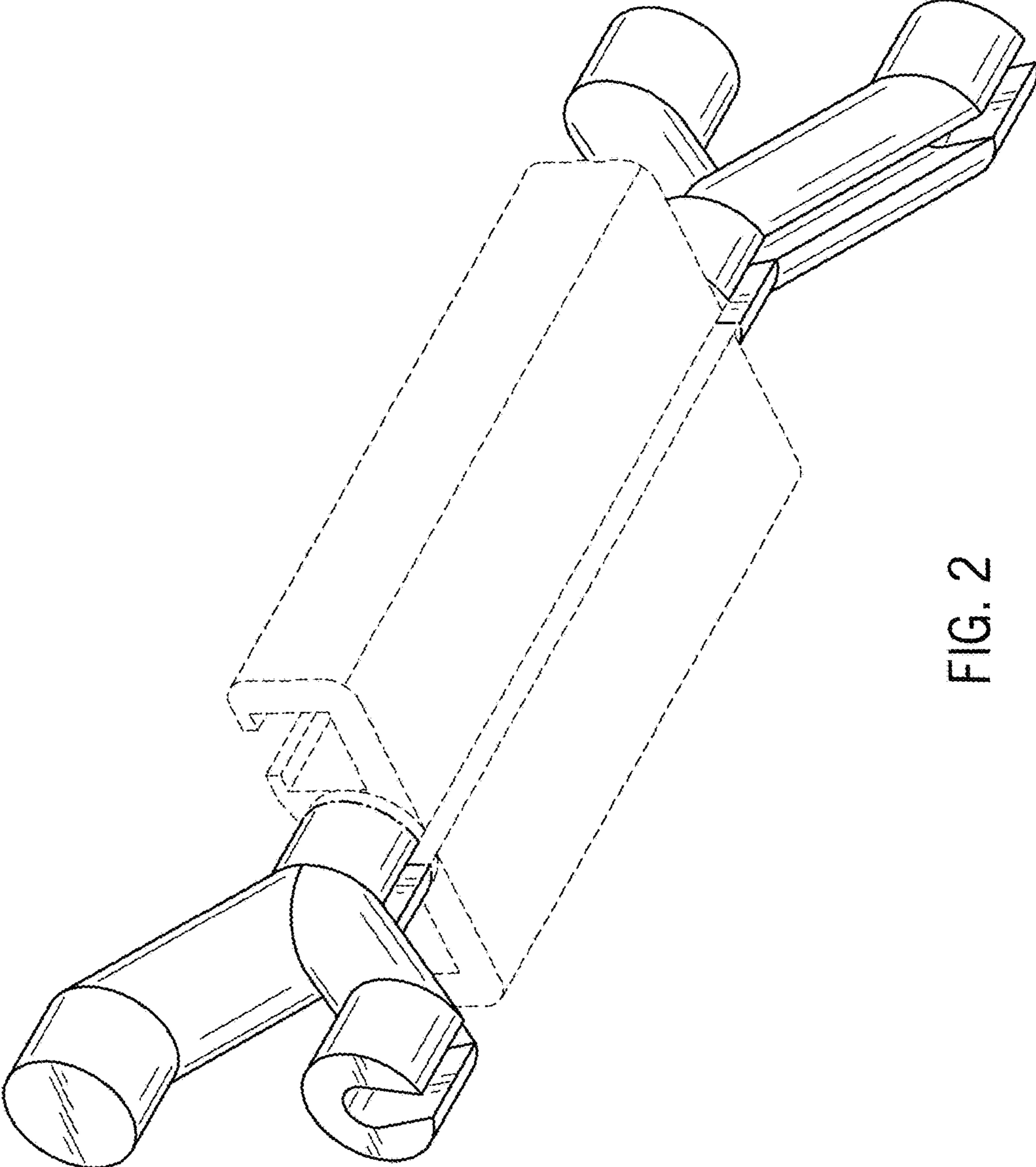


FIG. 2

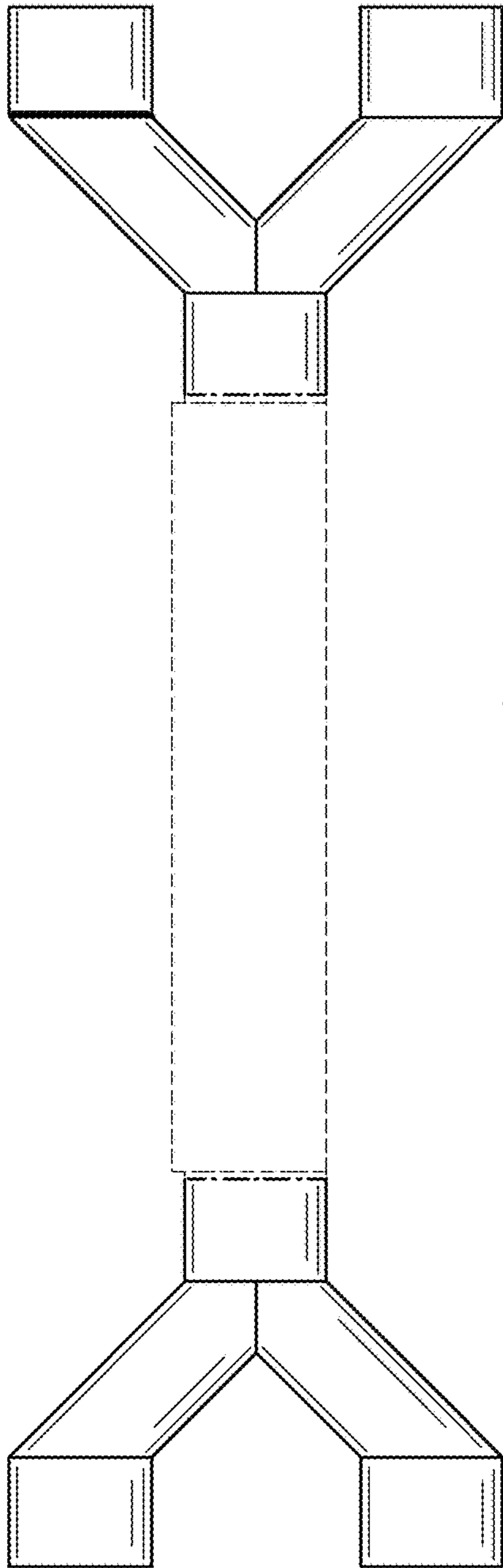


FIG. 3

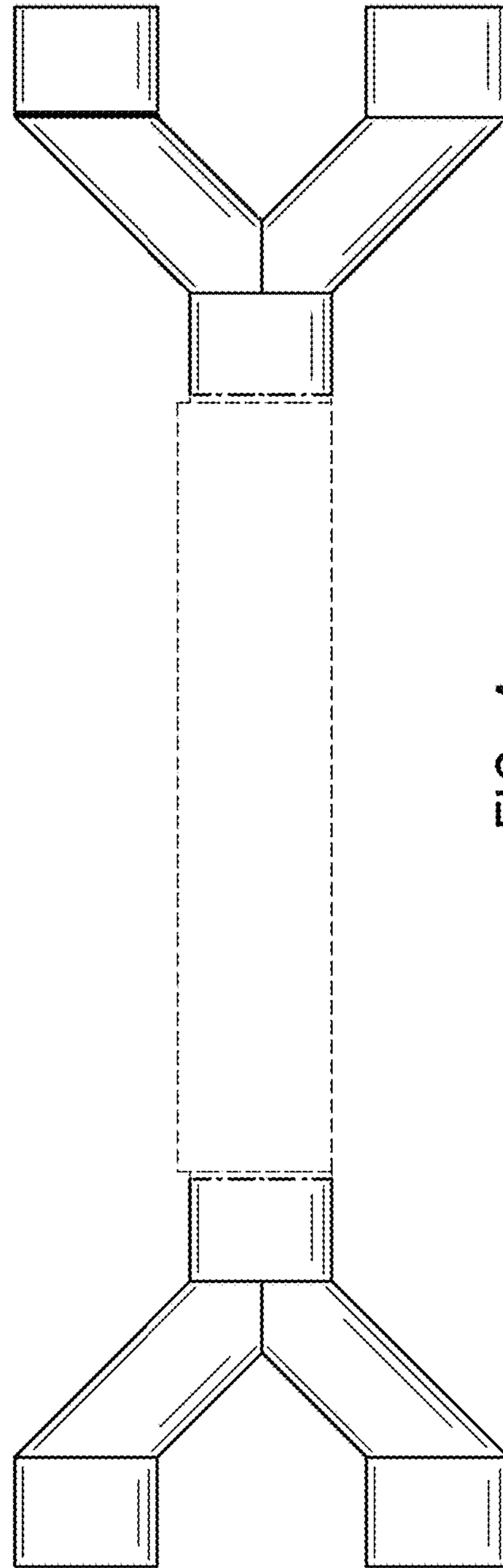


FIG. 4

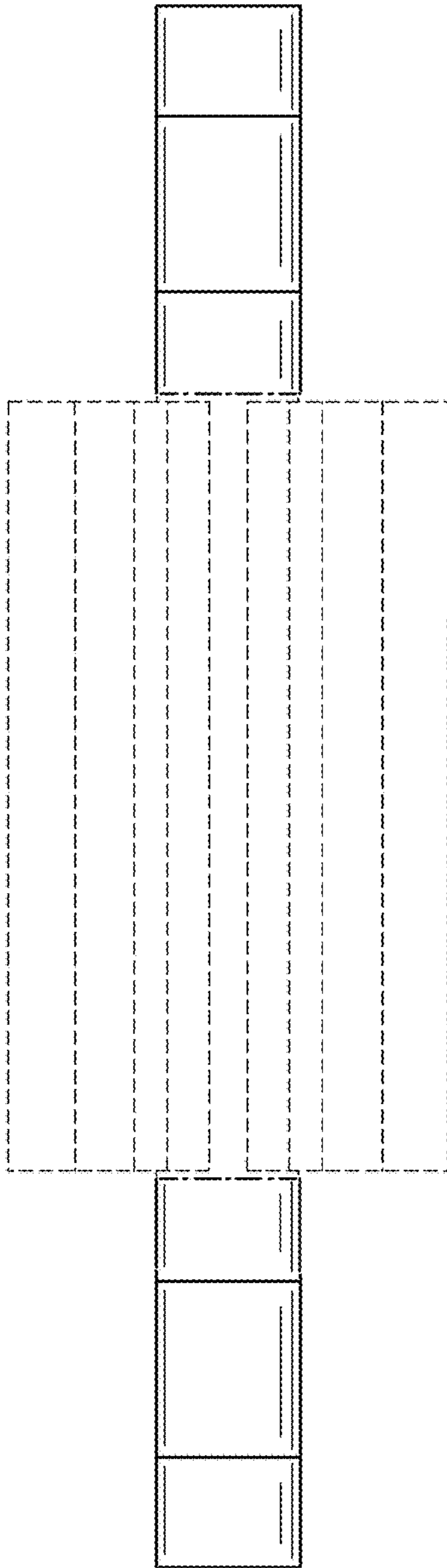


FIG. 5

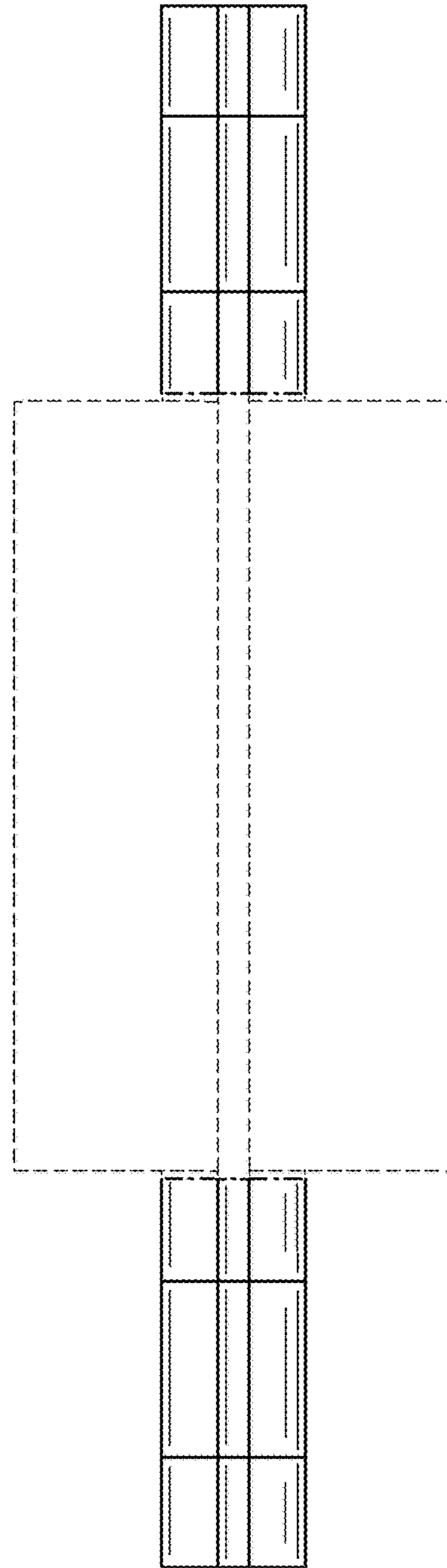


FIG. 6

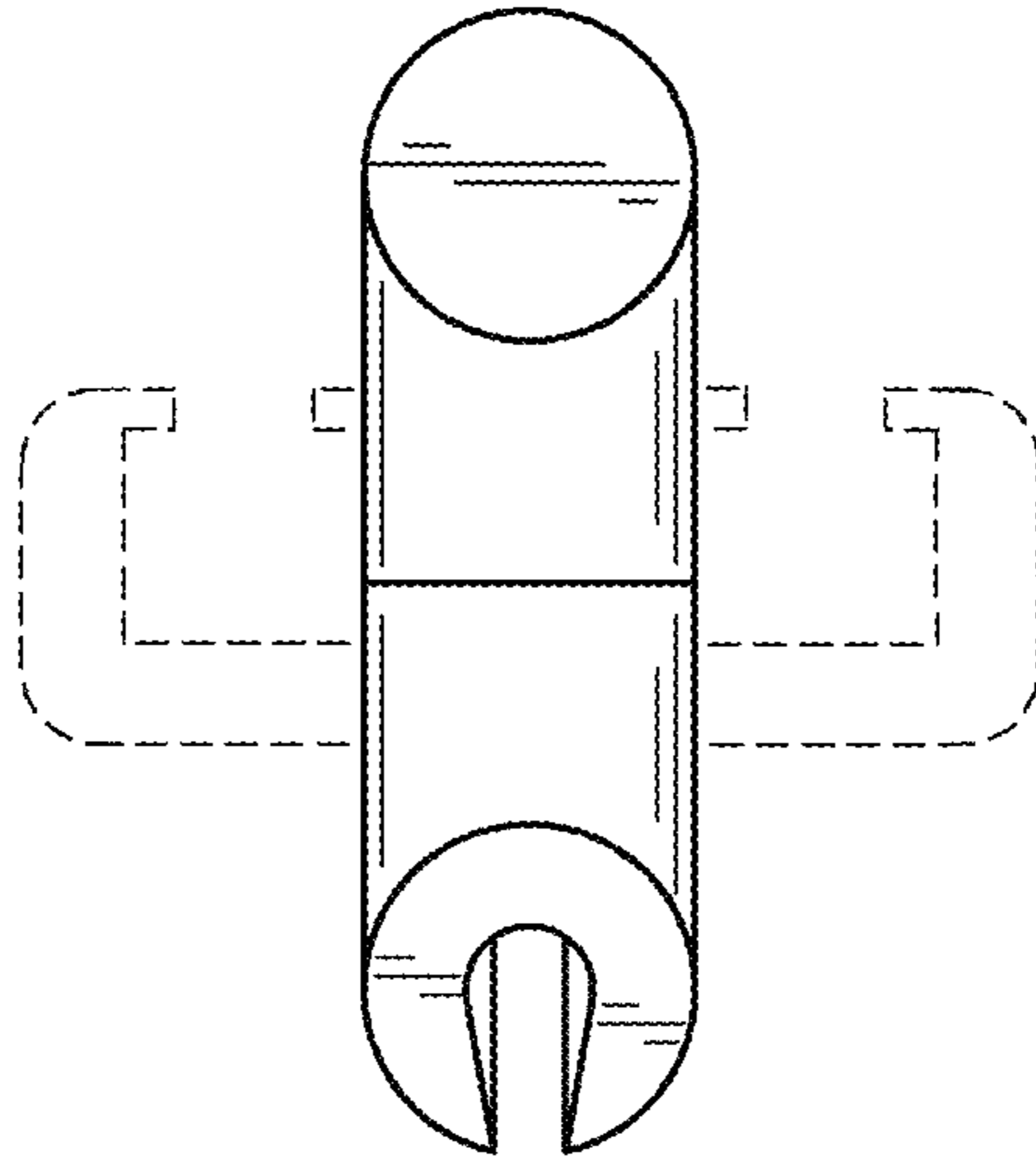


FIG. 7

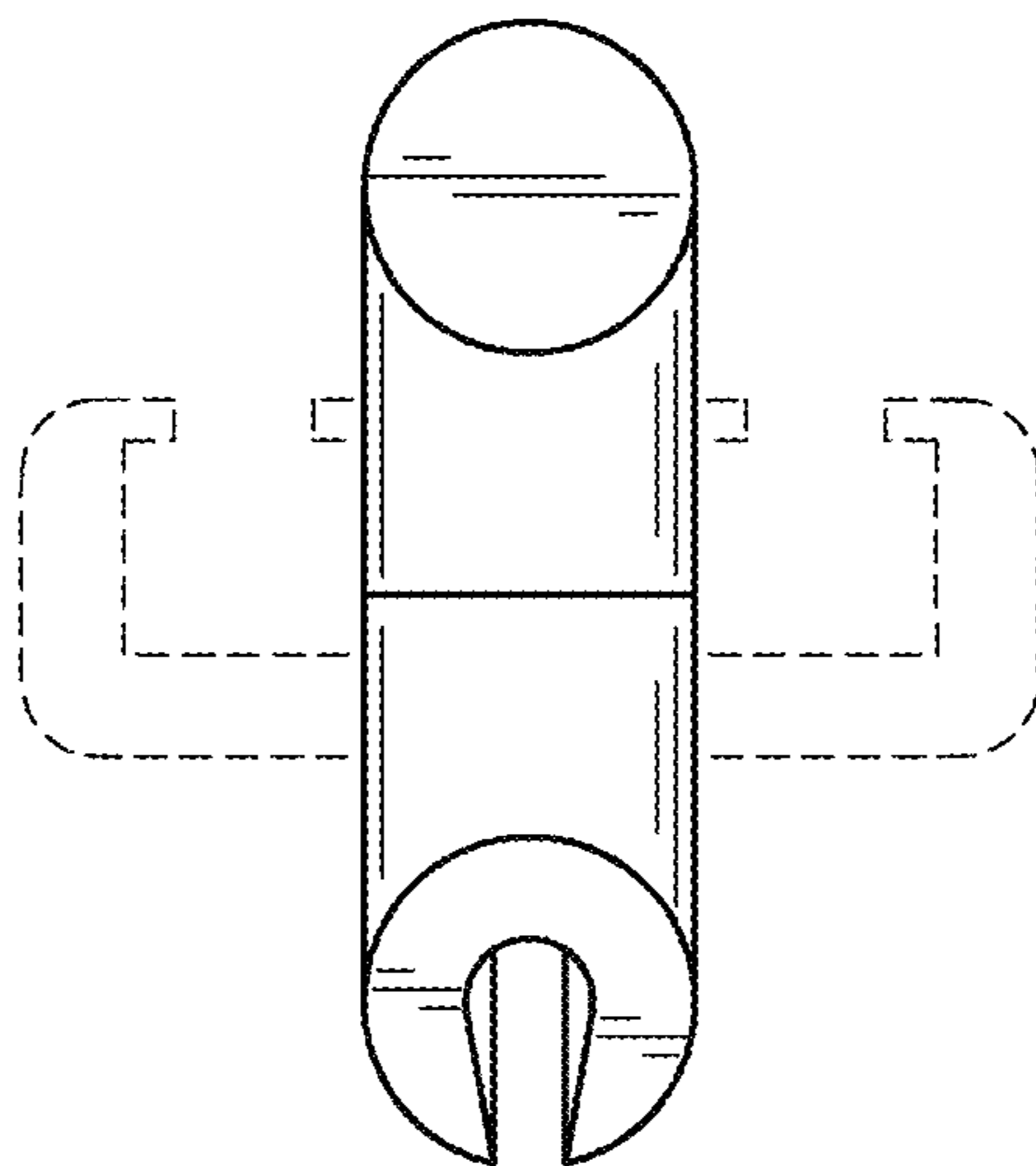


FIG. 8

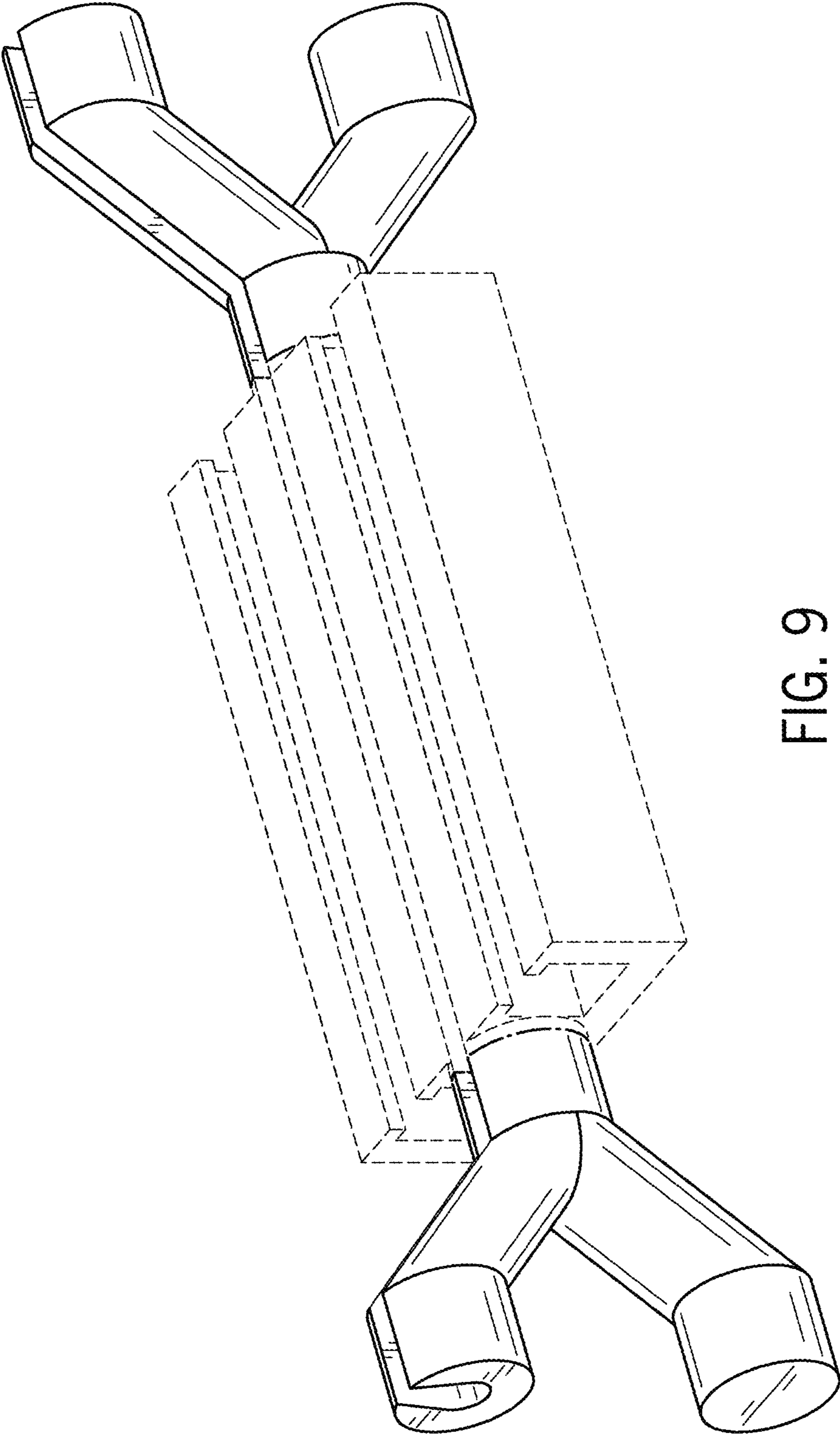


FIG. 9

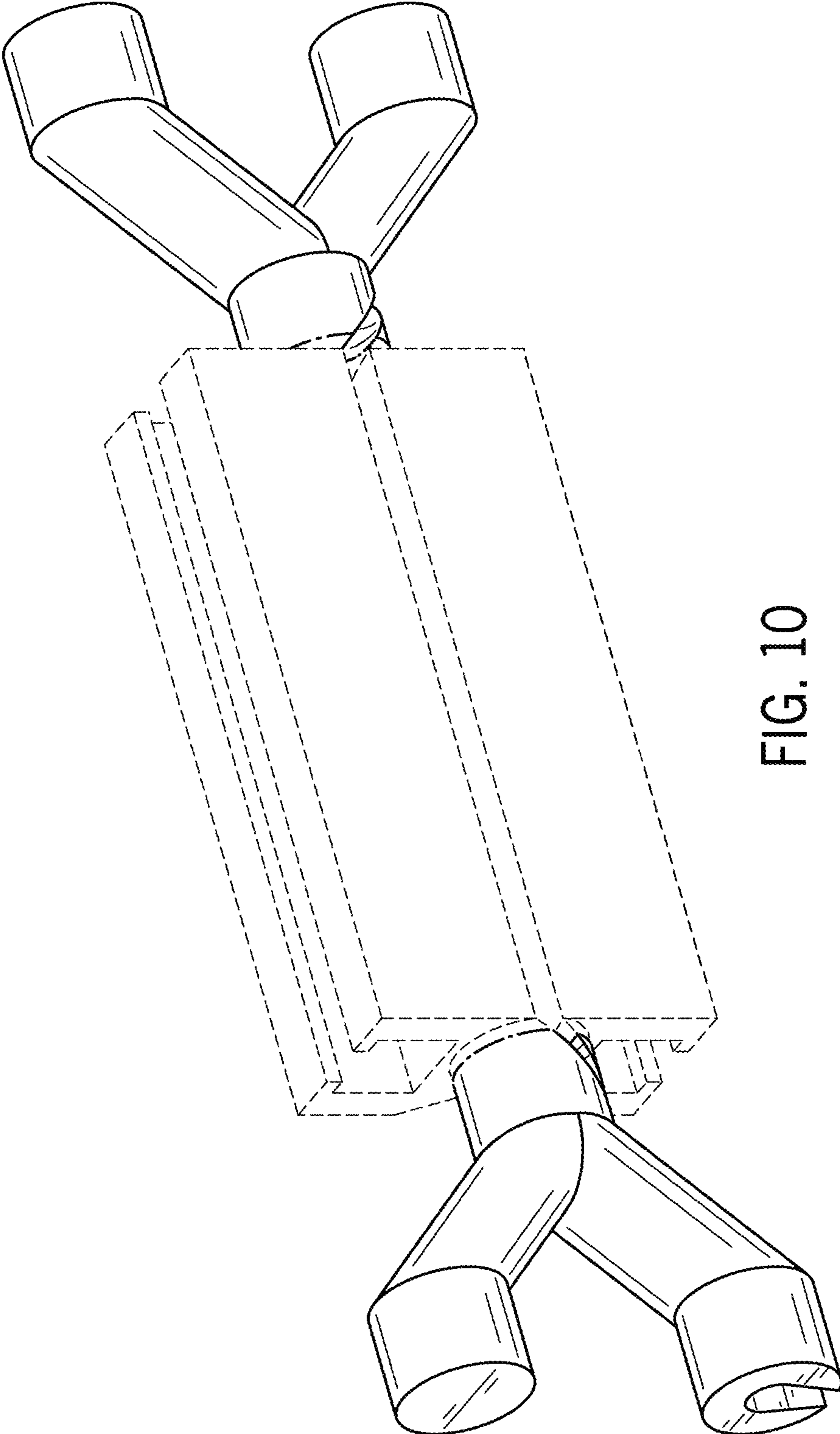


FIG. 10

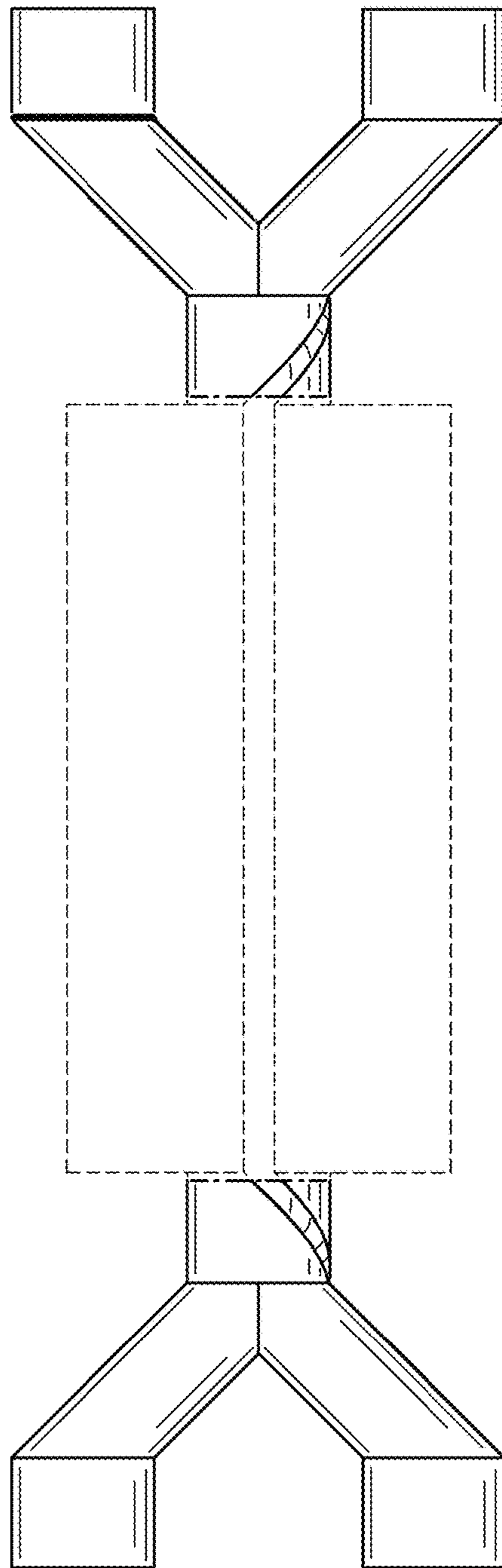


FIG. 11

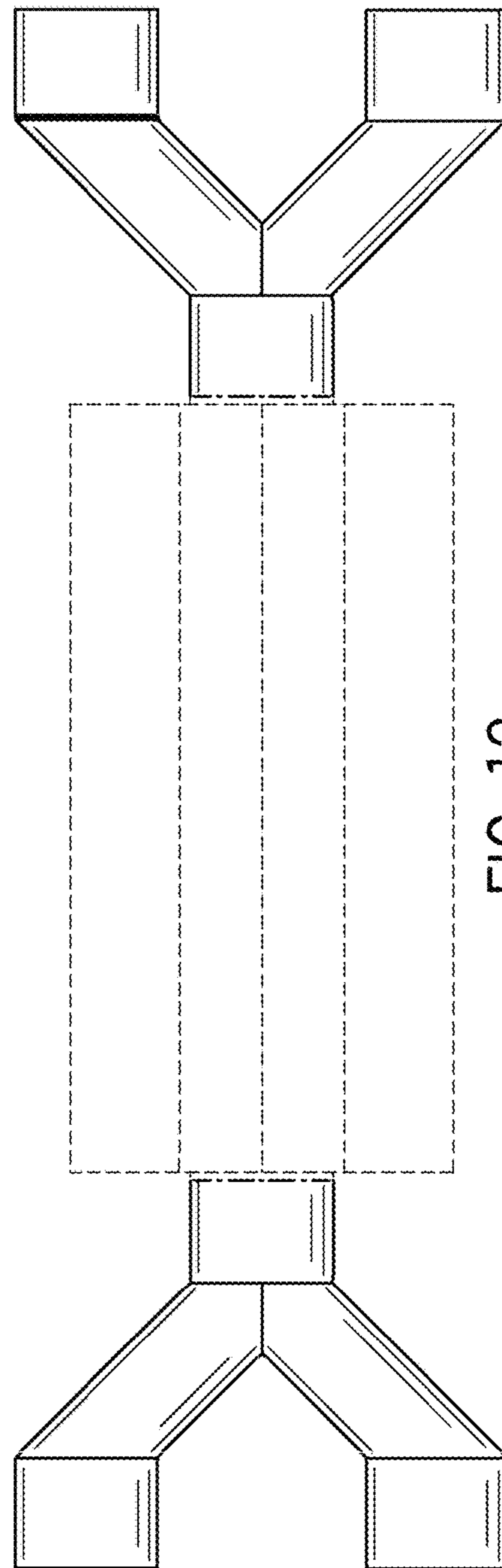


FIG. 12

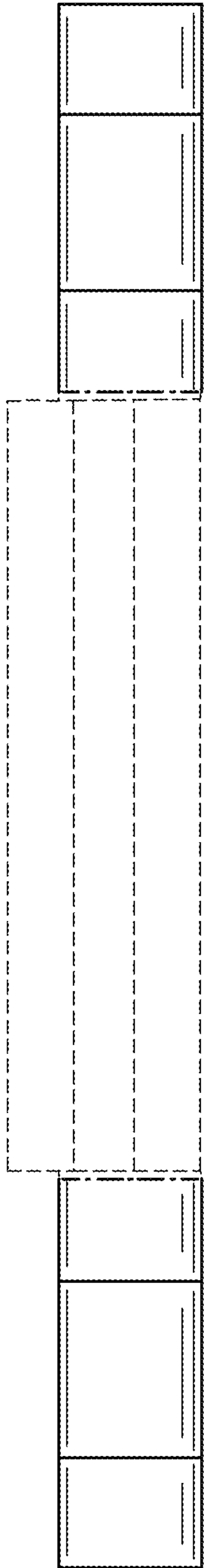


FIG. 13

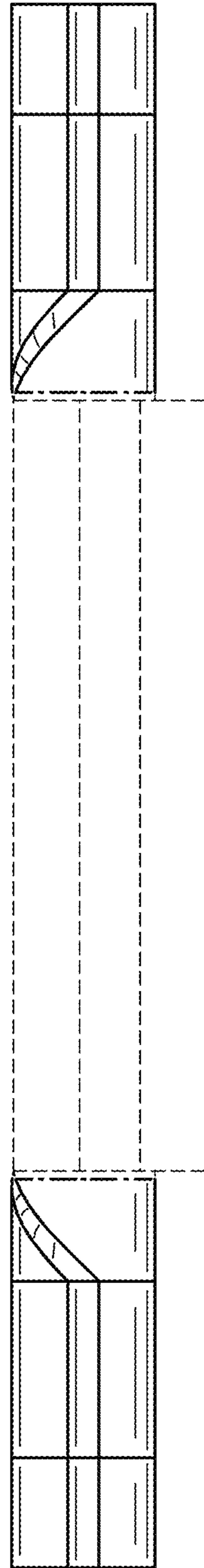


FIG. 14

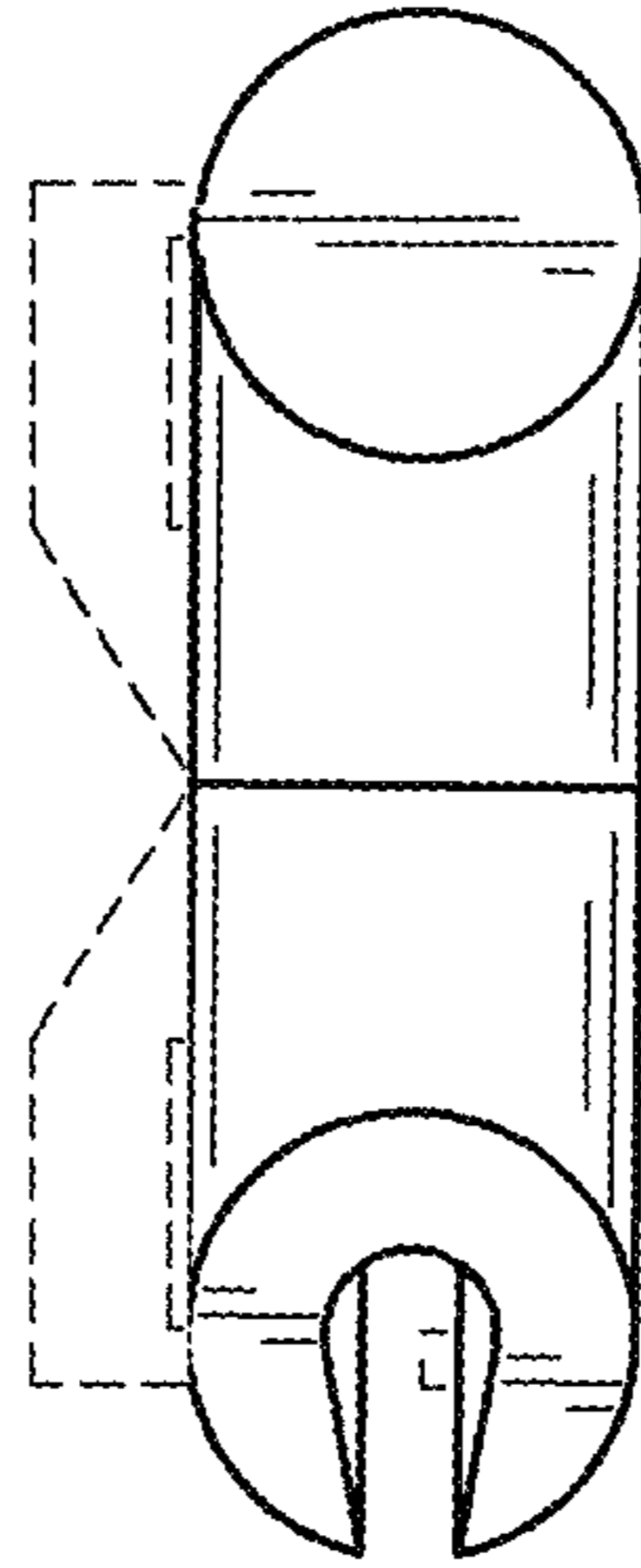


FIG. 15

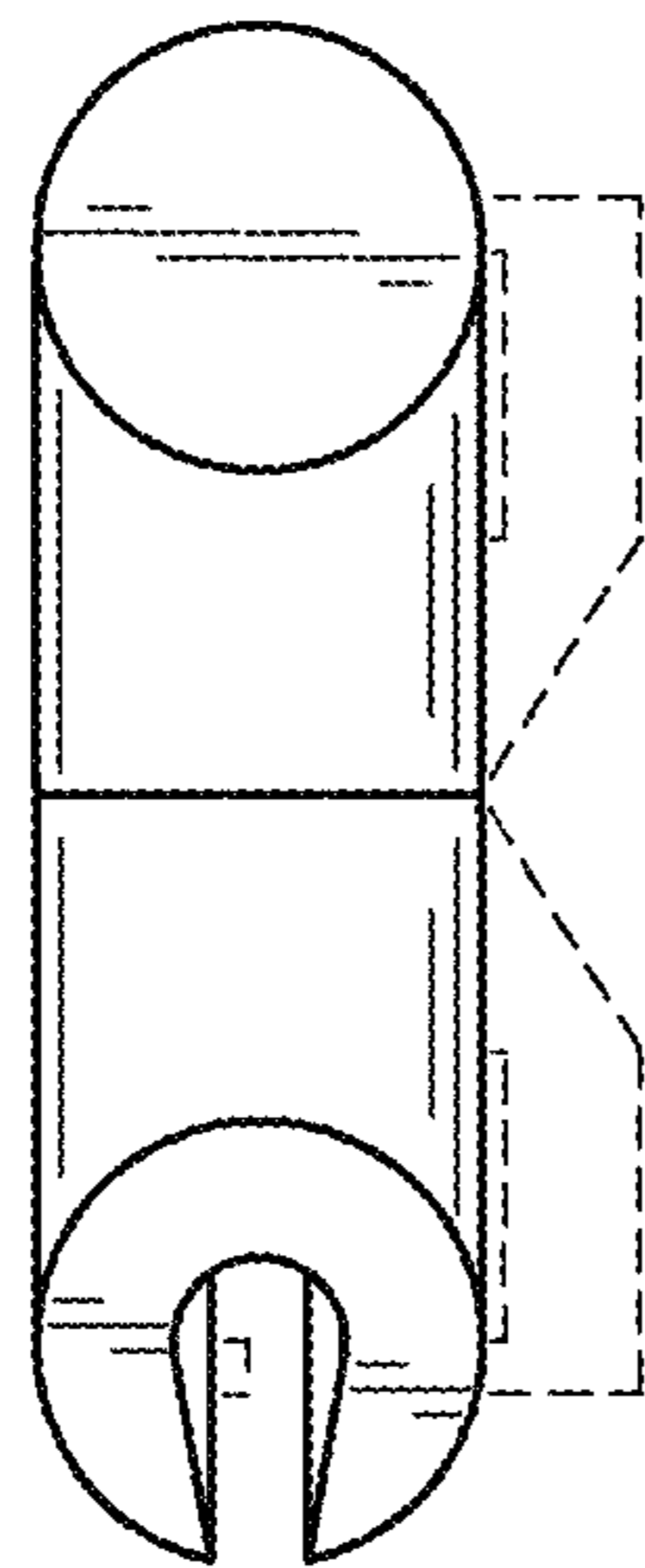


FIG. 16

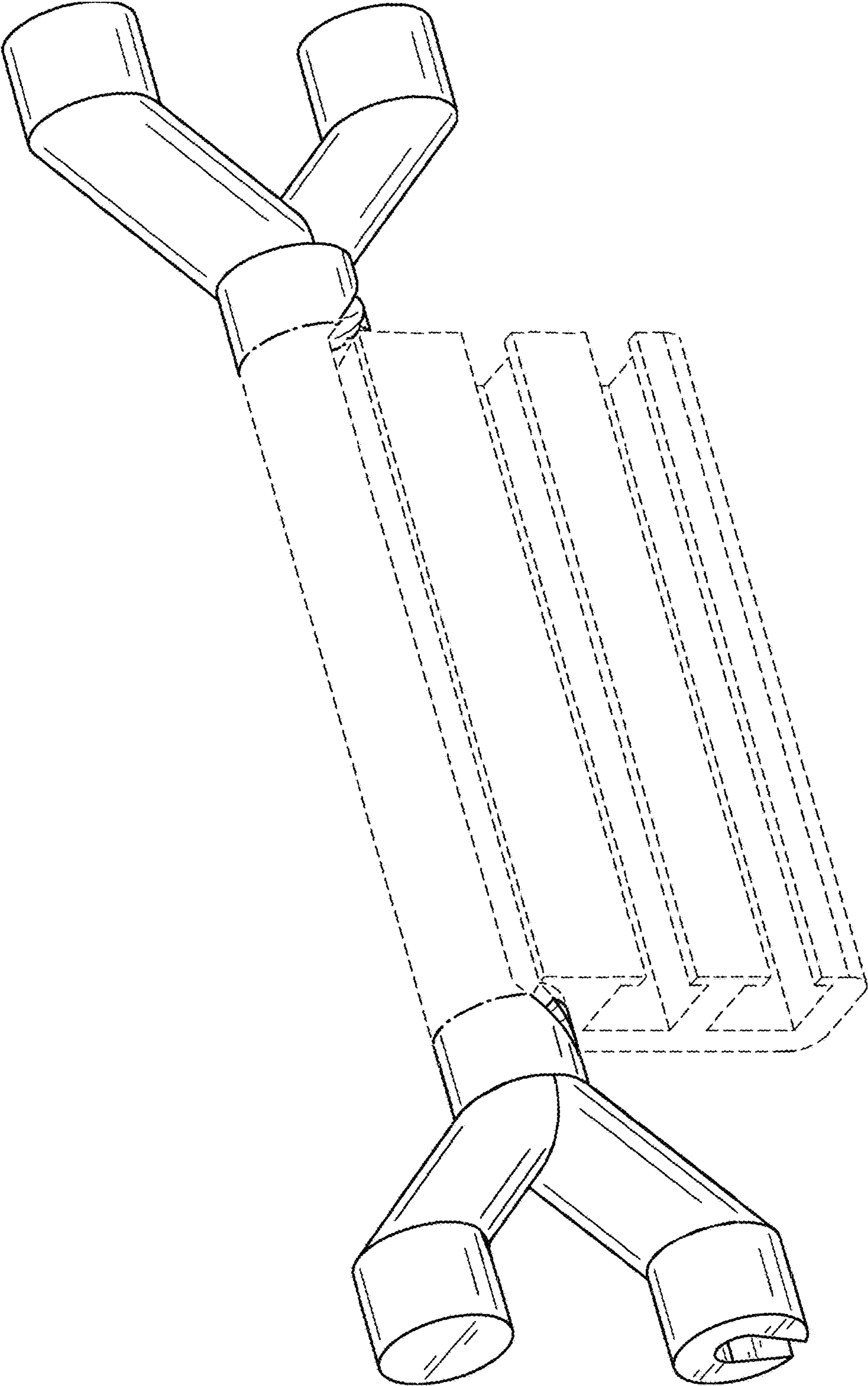


FIG. 17

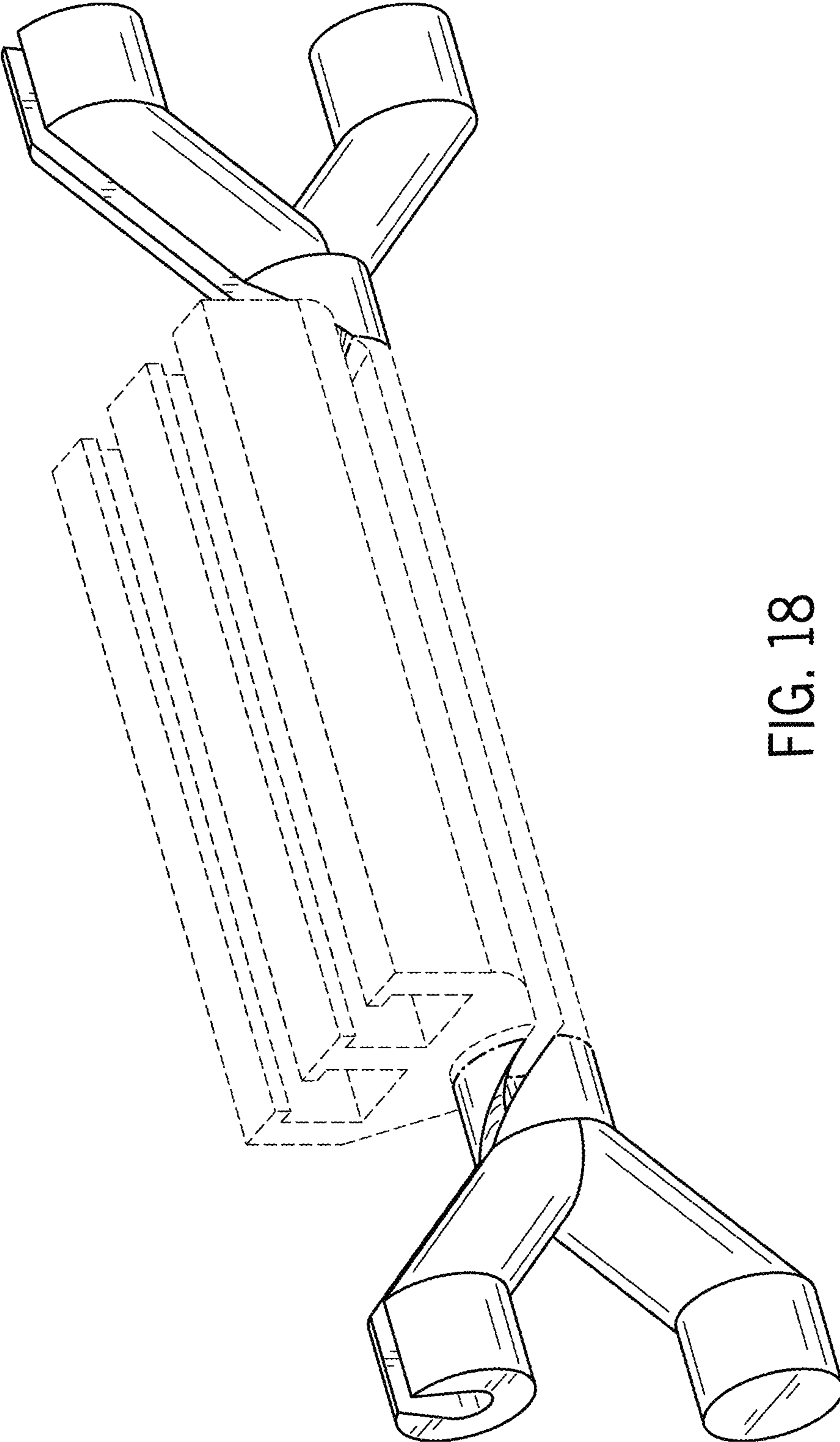


FIG. 18