



US00D835973S

(12) **United States Design Patent**
Bertato

(10) **Patent No.:** **US D835,973 S**

(45) **Date of Patent:** **** Dec. 18, 2018**

(54) **DECK BRACKET**

(71) Applicant: **LIV Building Products Inc.**, Uxbridge (CA)

(72) Inventor: **Maurizio Bertato**, Uxbridge (CA)

(73) Assignee: **LIV Building Products Inc.**, Uxbridge, ON (CA)

(**) Term: **15 Years**

(21) Appl. No.: **29/627,545**

(22) Filed: **Nov. 28, 2017**

(51) **LOC (11) Cl.** **08-05**

(52) **U.S. Cl.**
USPC **D8/354**

(58) **Field of Classification Search**
USPC D8/354, 349, 364, 366, 380
CPC E04B 1/0038; E04B 1/1903; E04B 1/40
See application file for complete search history.

(56) **References Cited**

U.S. PATENT DOCUMENTS

- 6,543,751 B1 * 4/2003 Spruill E04F 11/1817
256/65.04
- D568,147 S * 5/2008 Prichard, Jr. D8/382
- 7,429,023 B2 * 9/2008 Morrow E04B 1/003
248/200
- D585,269 S * 1/2009 Prichard, Jr. D8/382

- D621,692 S * 8/2010 Clarke D8/354
- 2015/0240516 A1 * 8/2015 Bertato E04H 17/1421
256/65.03
- 2018/0112387 A1 * 4/2018 Bertato E04B 1/0038

* cited by examiner

Primary Examiner — Lakiya G Rogers

Assistant Examiner — Harold E Blackwell, II

(57) **CLAIM**

I claim the ornamental design for a deck bracket, as shown and described.

DESCRIPTION

FIG. 1 is a perspective view showing of our new design;
 FIG. 2 is a bottom view thereof;
 FIG. 3 is a front view thereof;
 FIG. 4 is a top view thereof;
 FIG. 5 is a right side view thereof;
 FIG. 6 is an underside view thereof;
 FIG. 7 is a back view thereof;
 FIG. 8 is a perspective view showing a variation of our new design;
 FIG. 9 is an underside view of FIG. 8;
 FIG. 10 is a front view of FIG. 8;
 FIG. 11 is a top view of FIG. 8;
 FIG. 12 is a right side view of FIG. 8;
 FIG. 13 is an underside view of FIG. 8; and,
 FIG. 14 is a back view of FIG. 8.

1 Claim, 7 Drawing Sheets

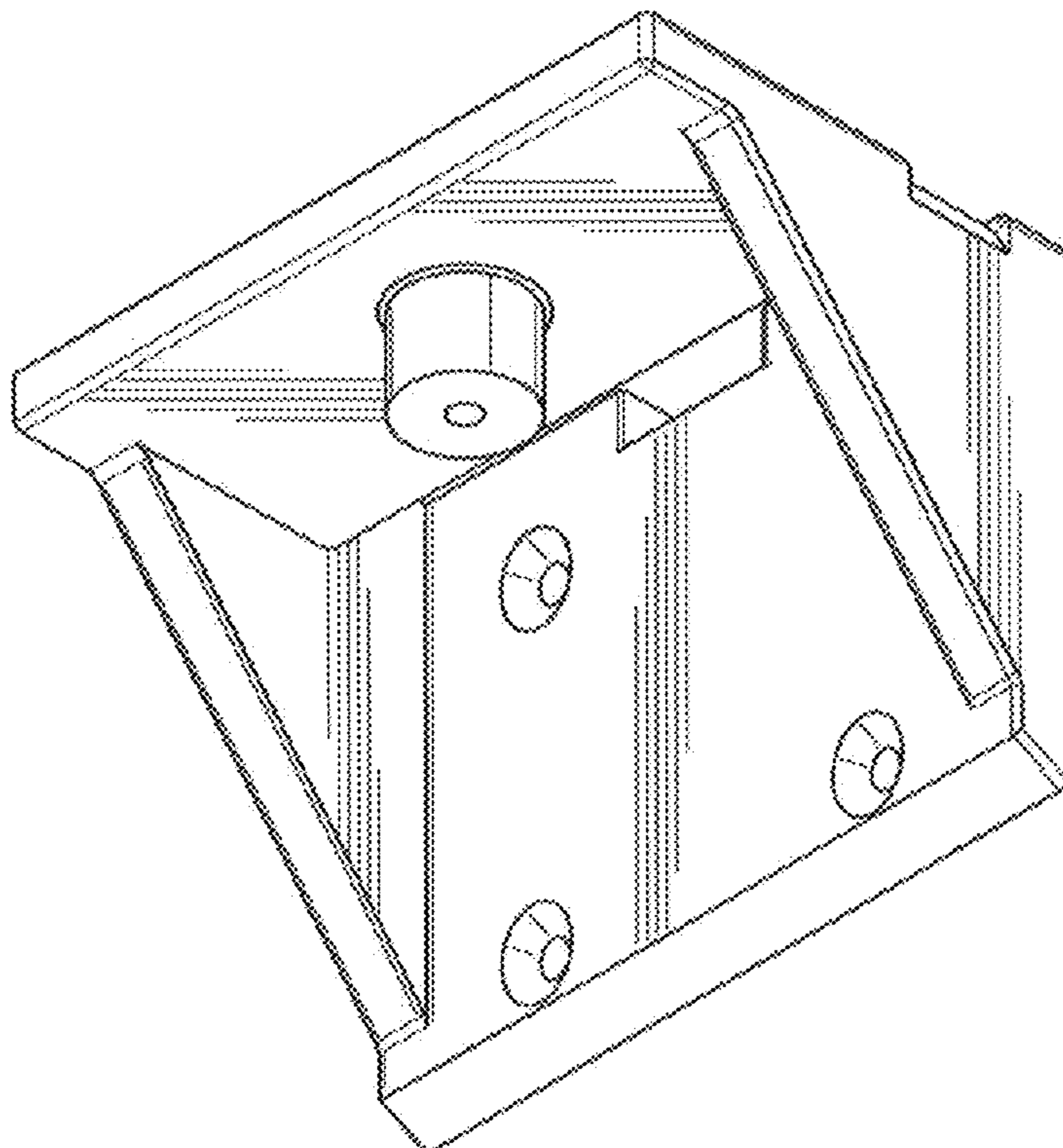


Fig. 1

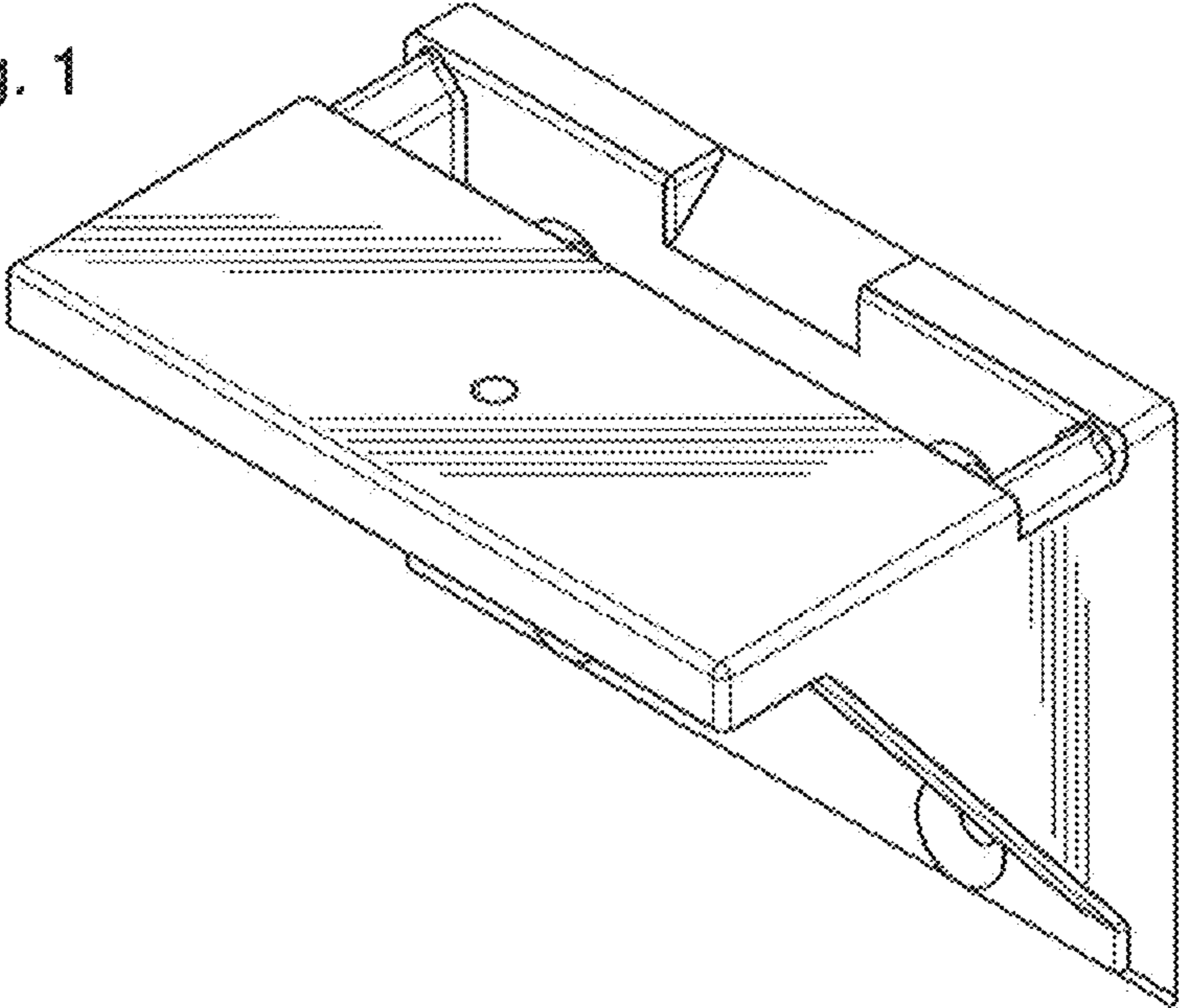


Fig. 2

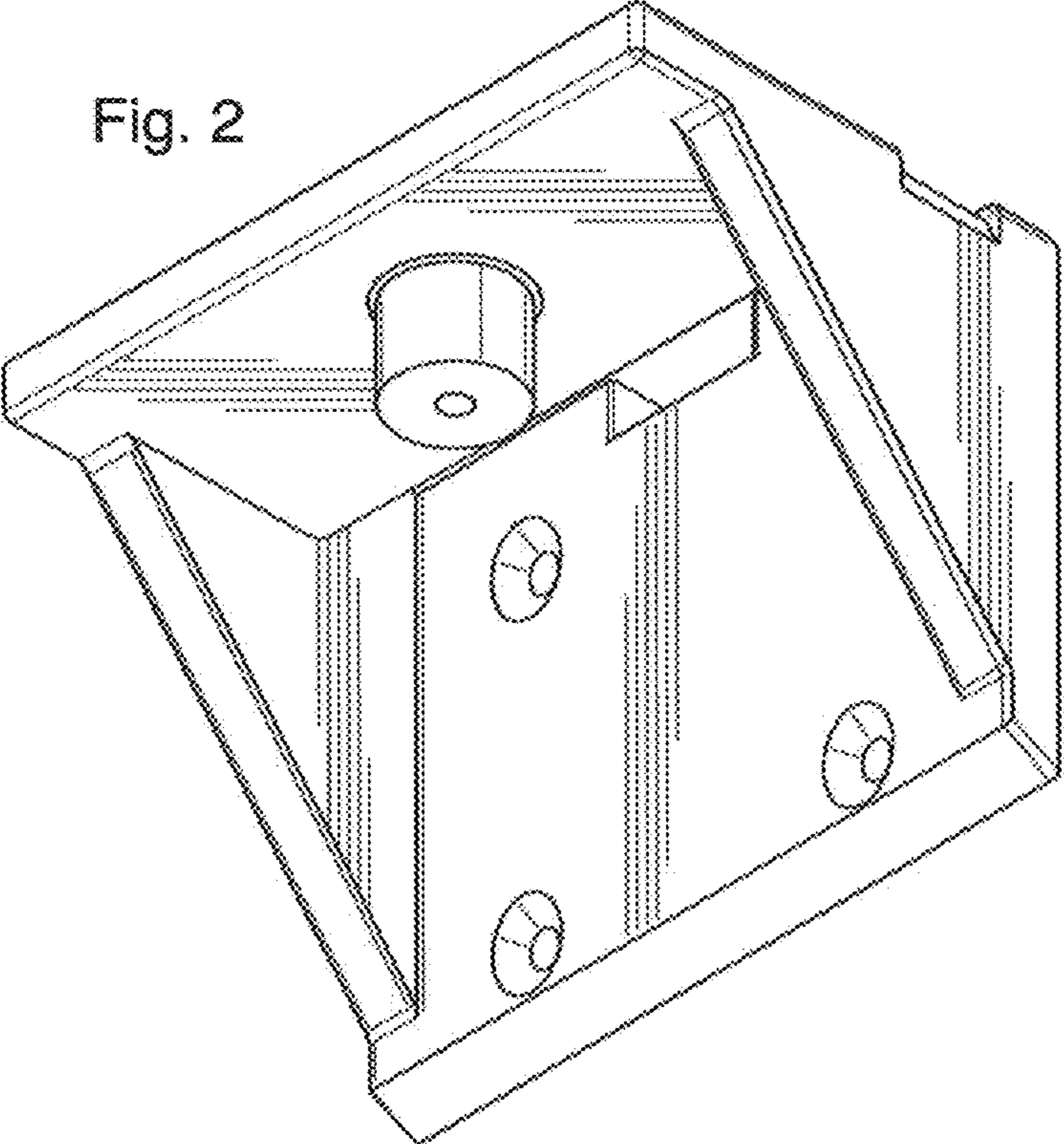


Fig. 3

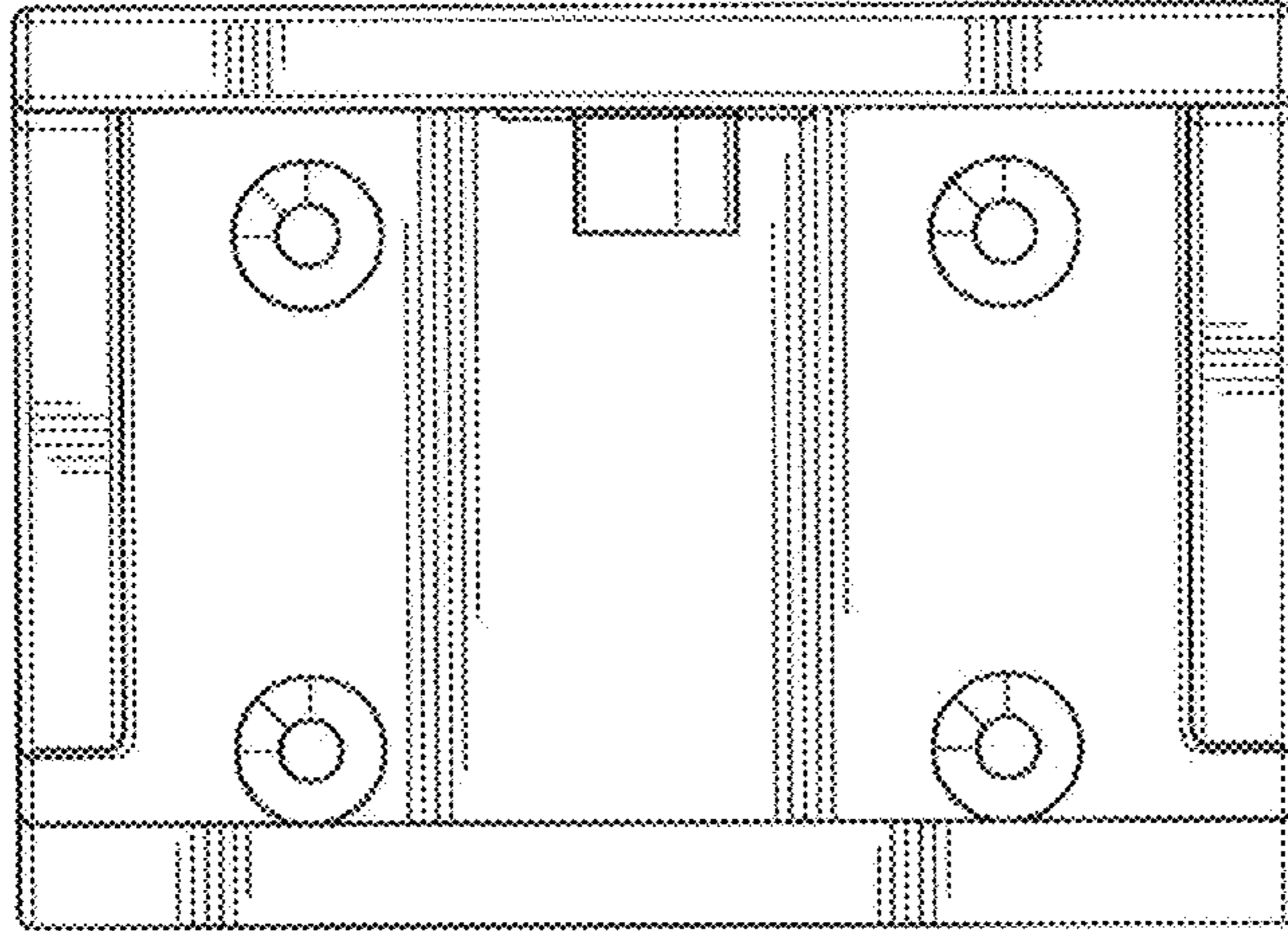


Fig. 4

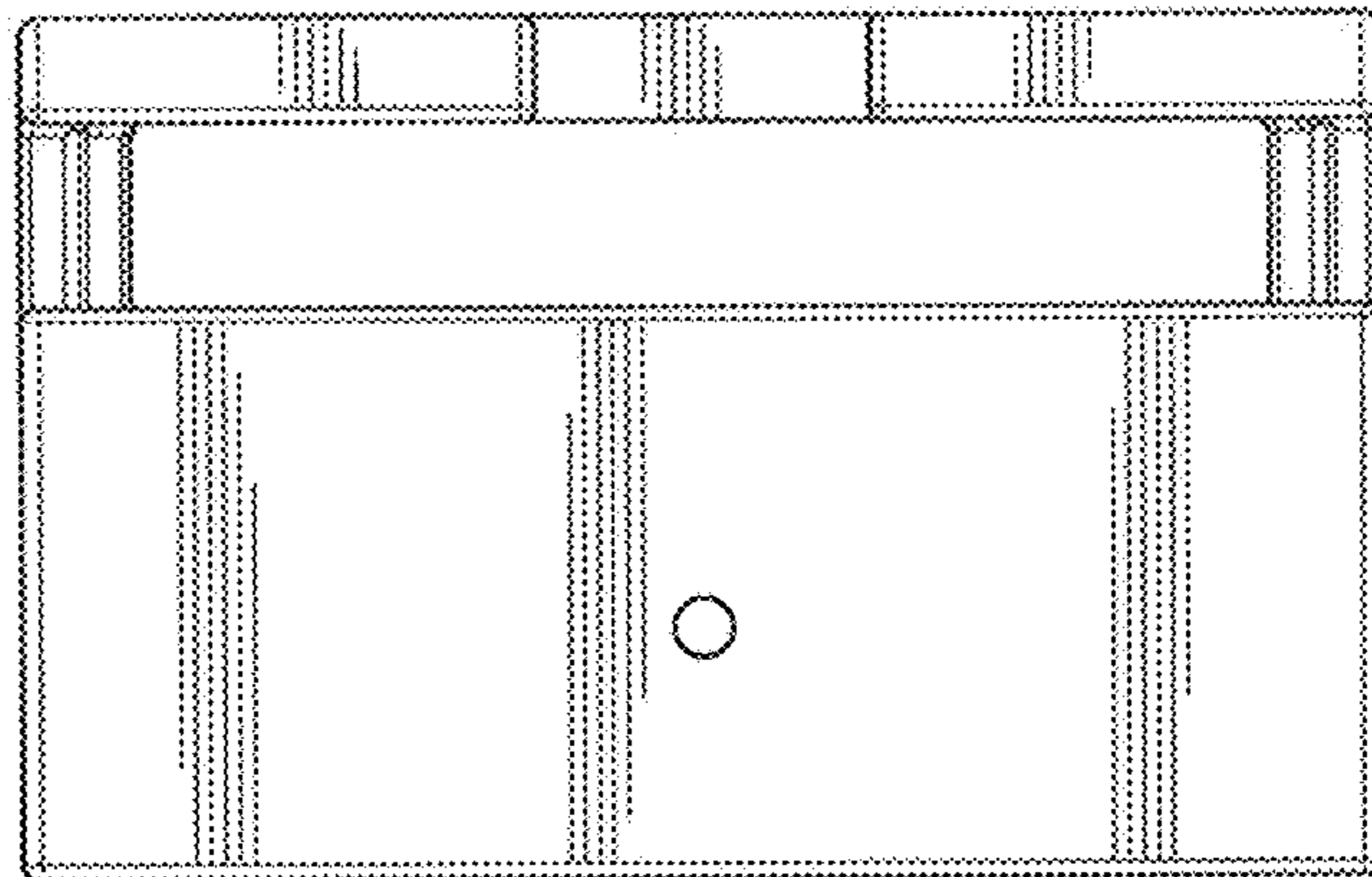


Fig. 5

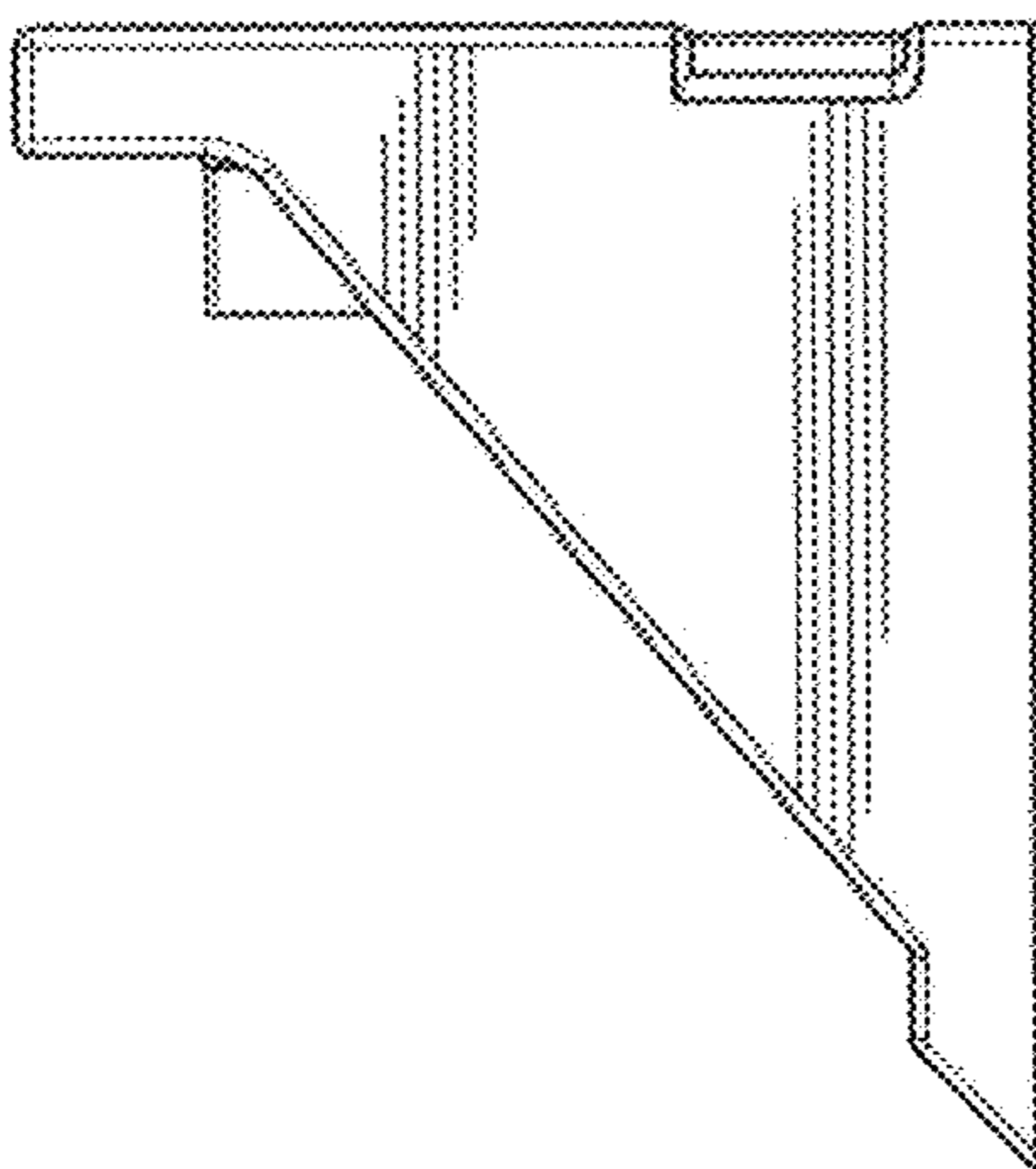


Fig. 6

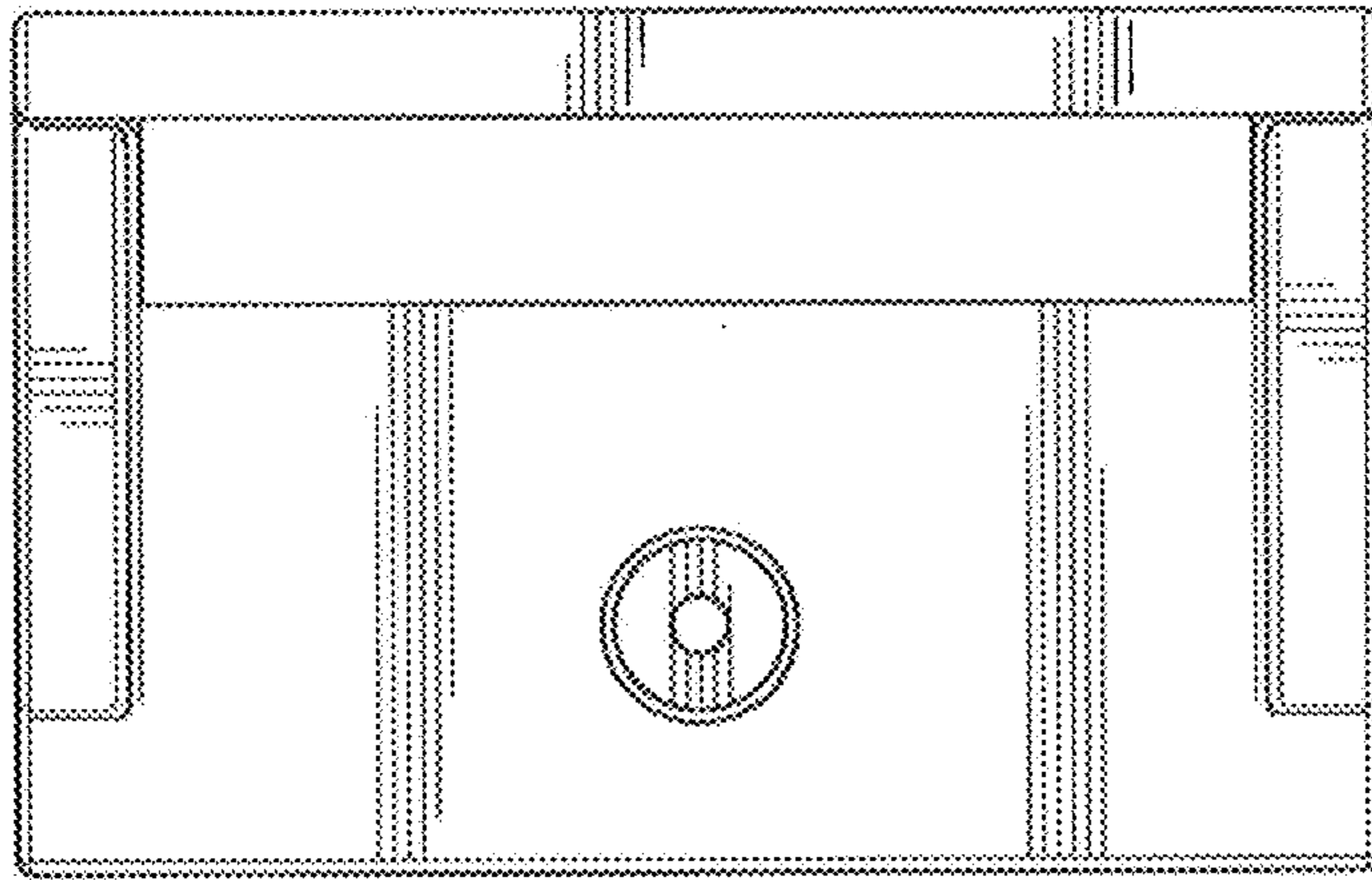
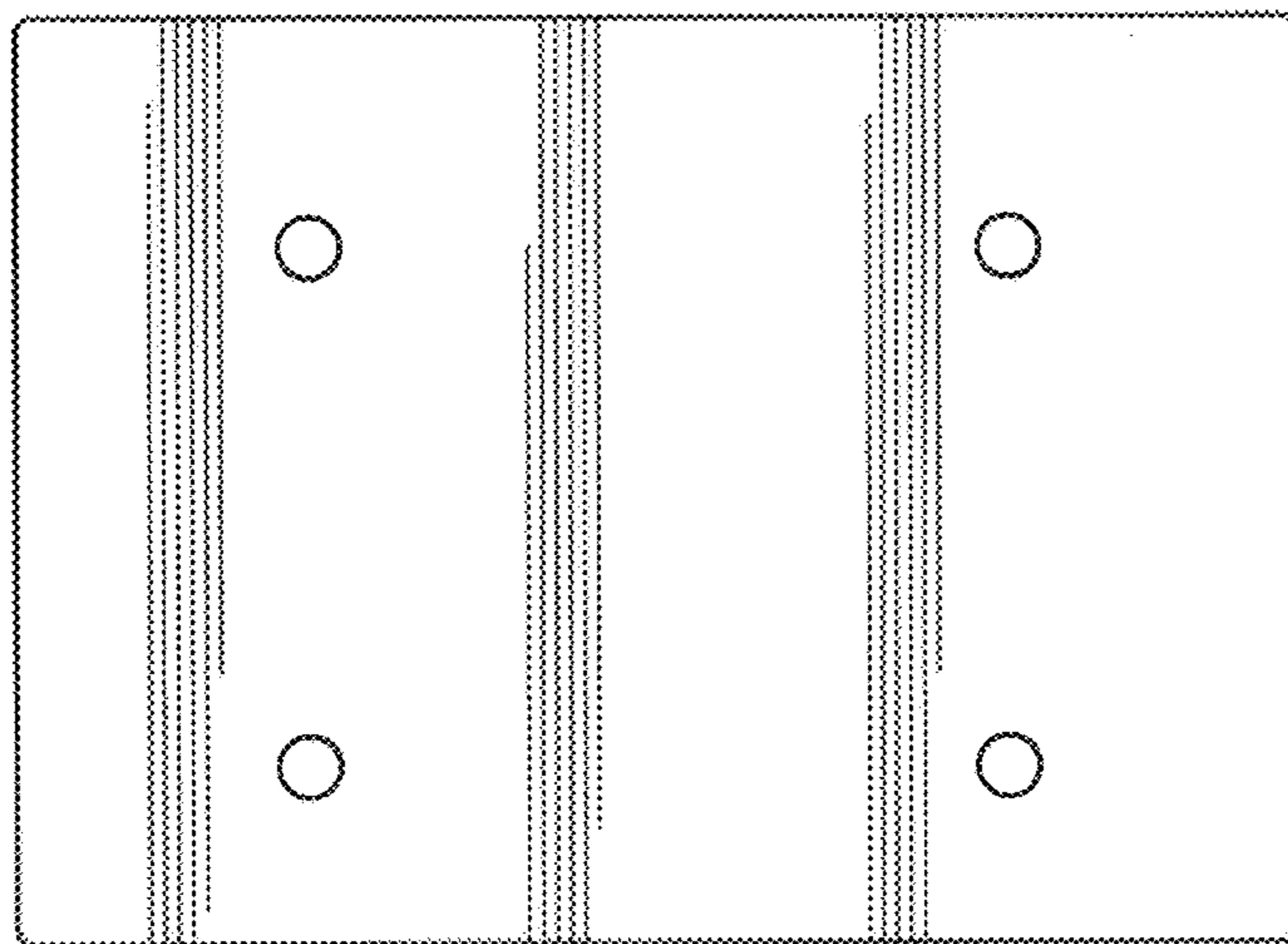


Fig. 7



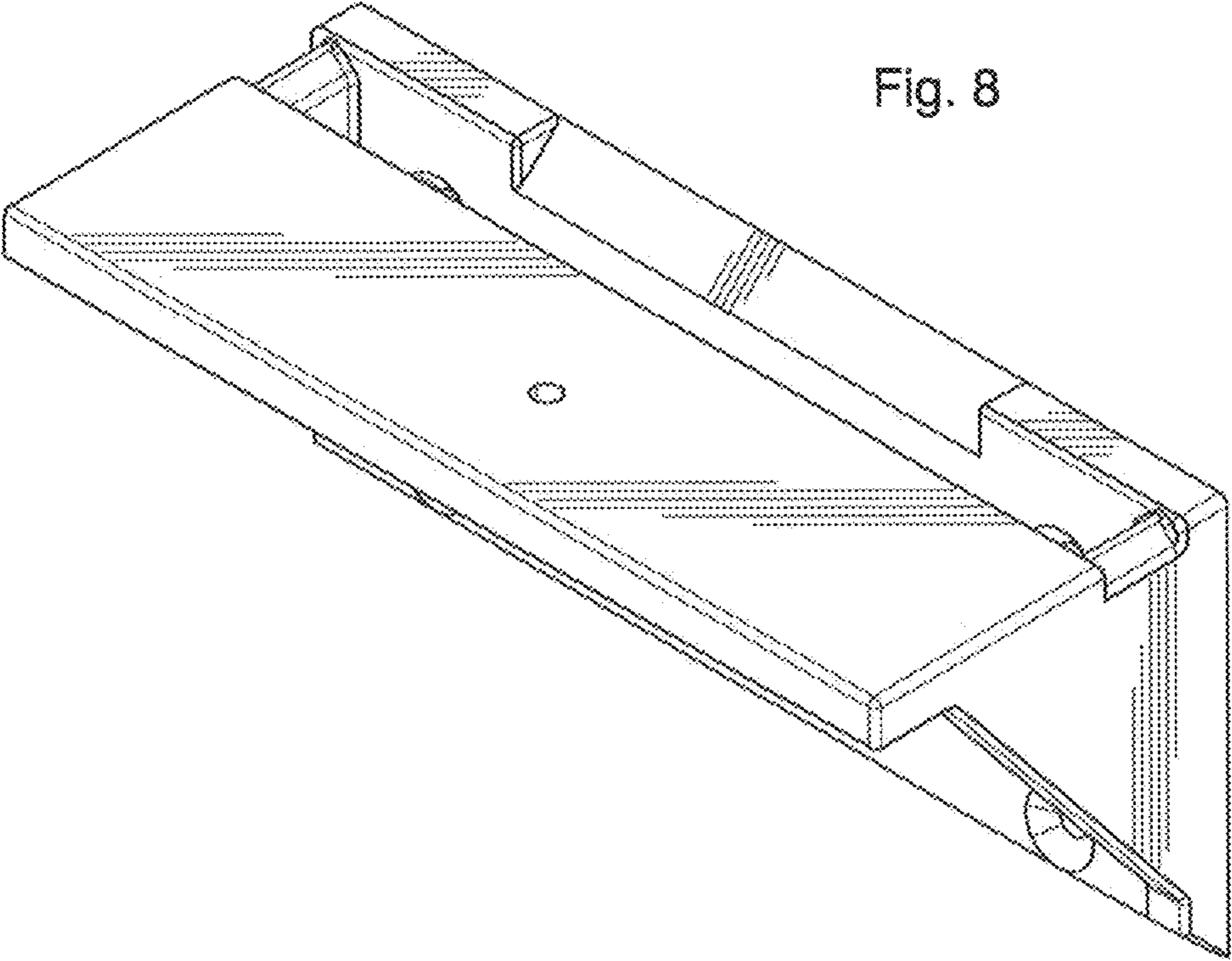


Fig. 8

Fig. 9

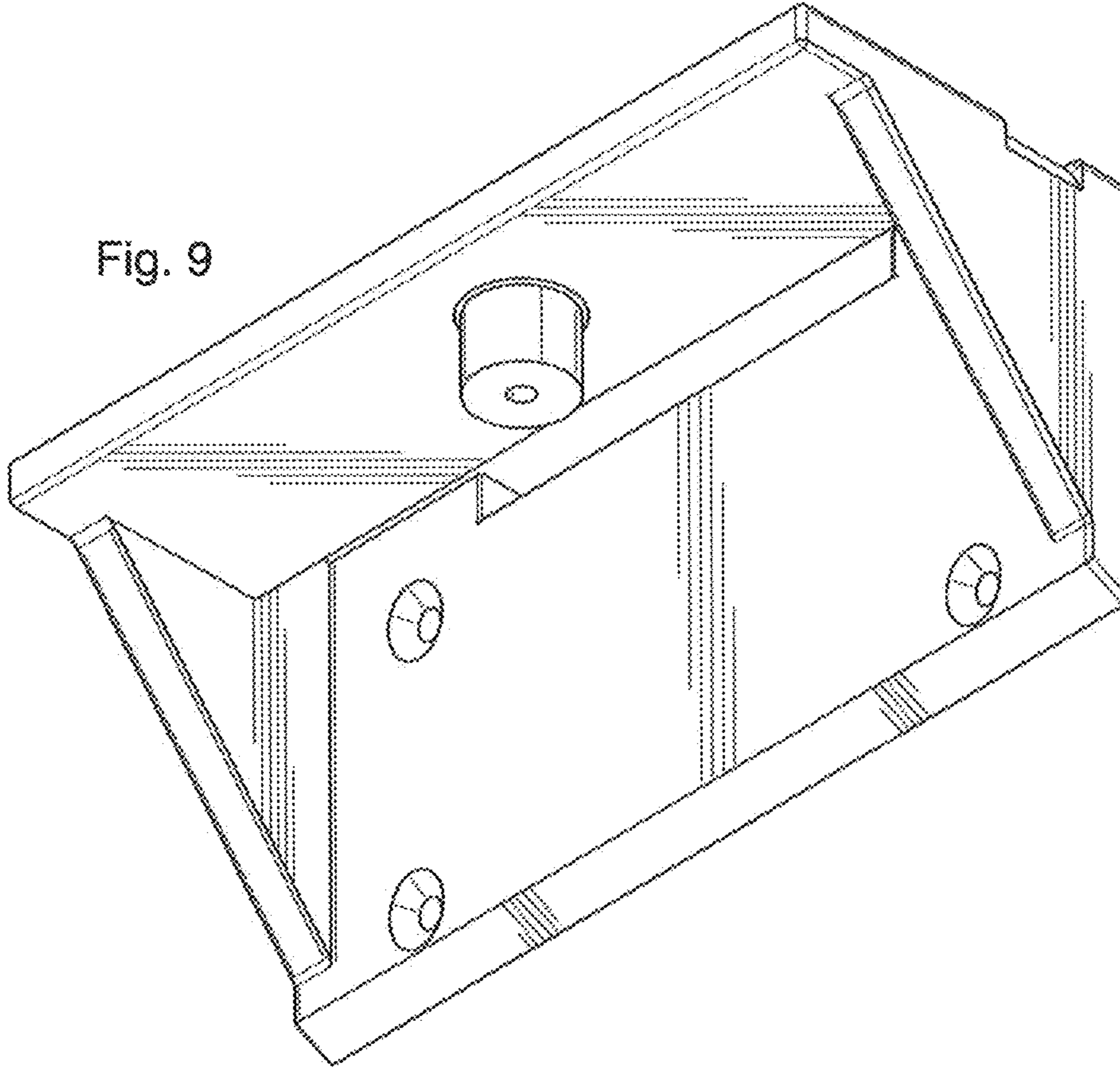


Fig. 10

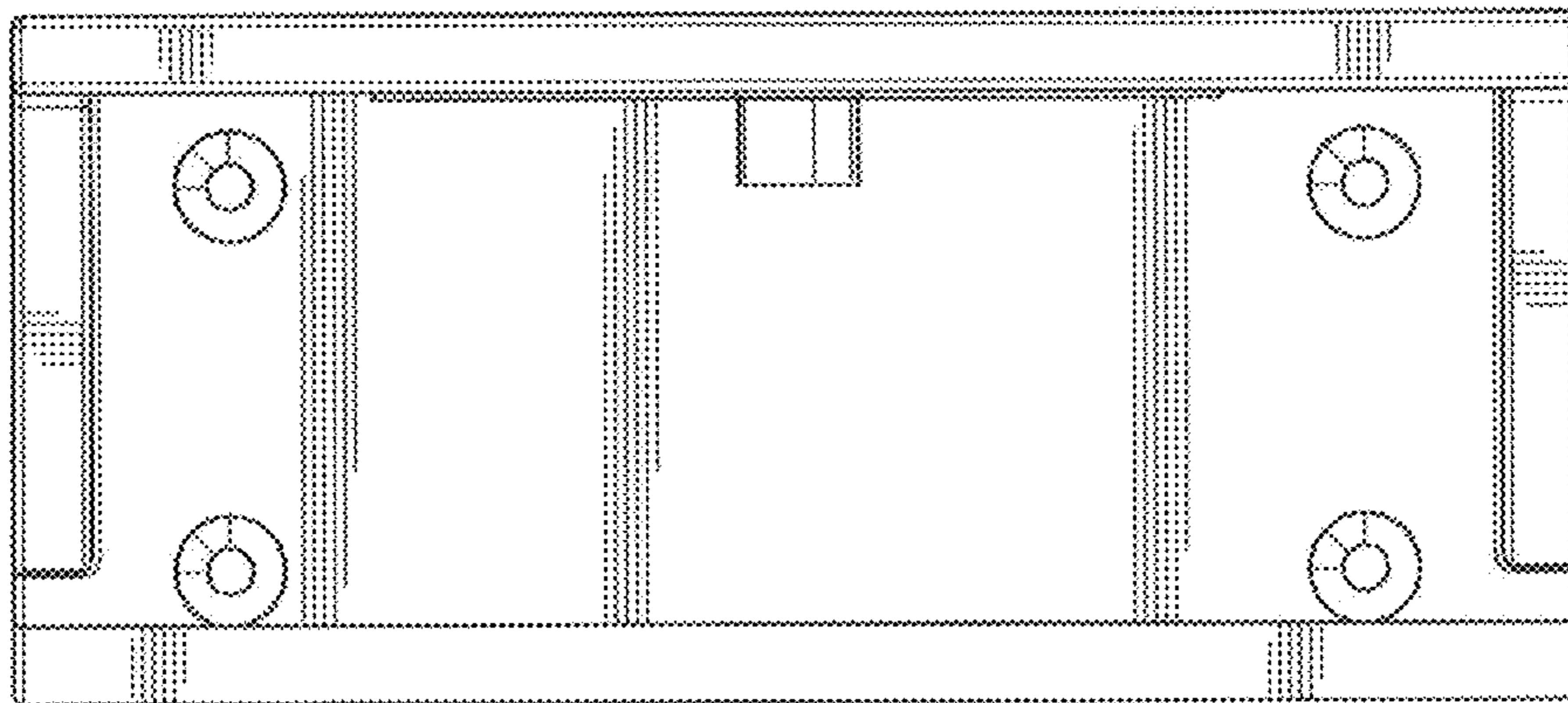


Fig. 11

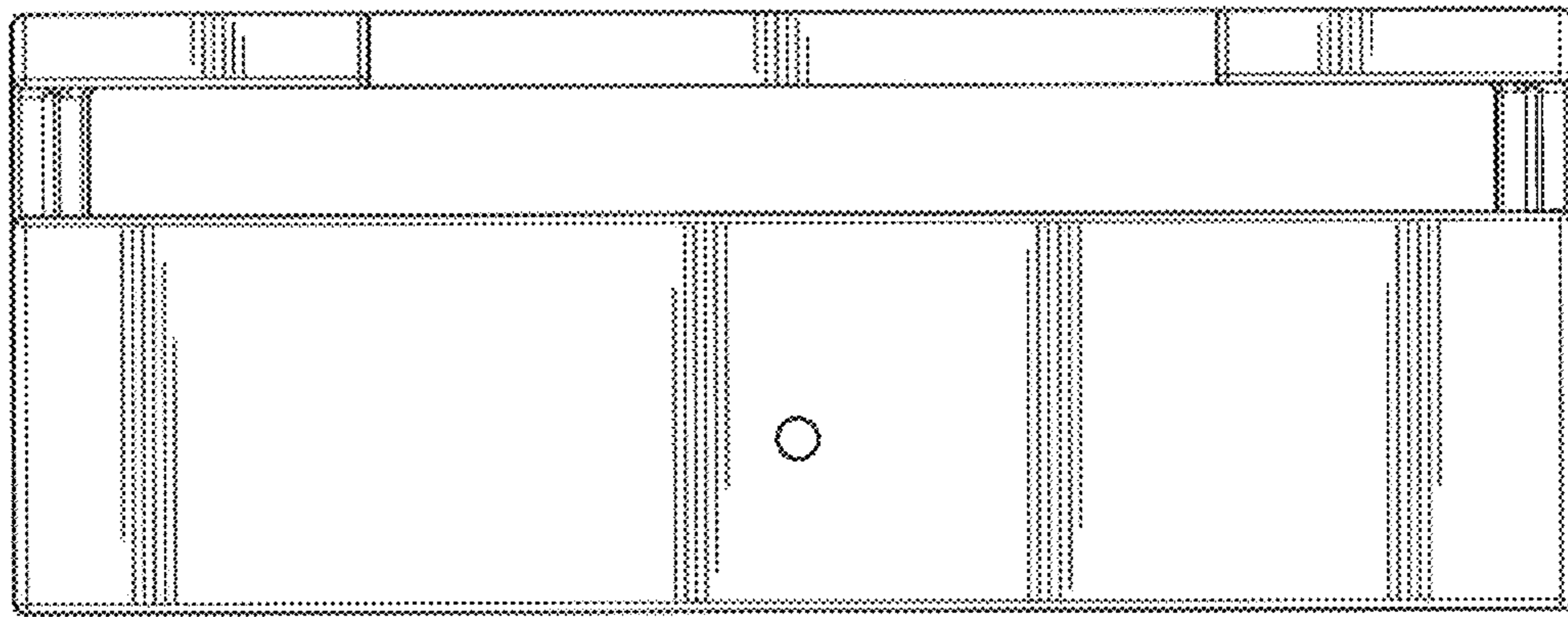


Fig. 12

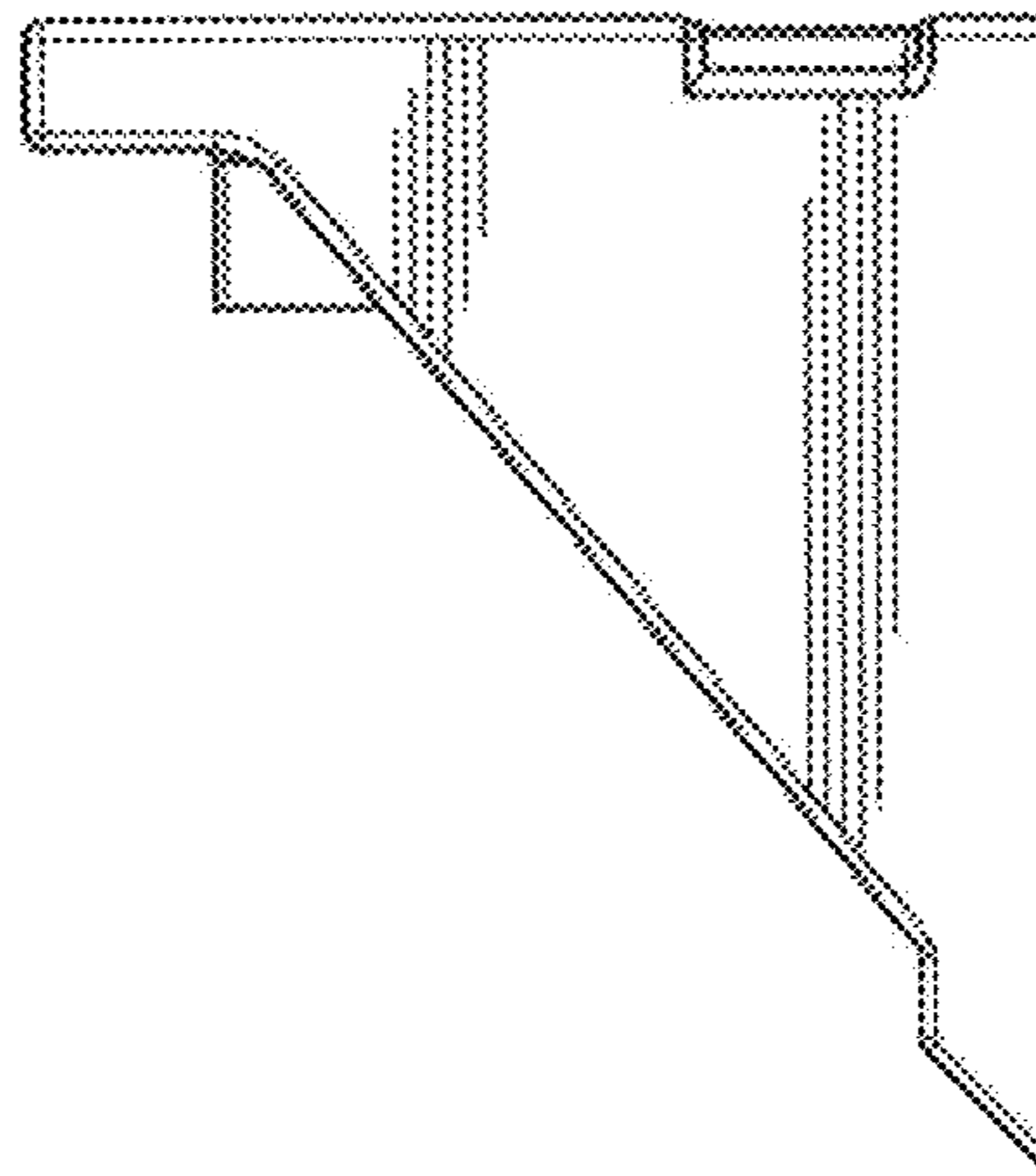


Fig. 13

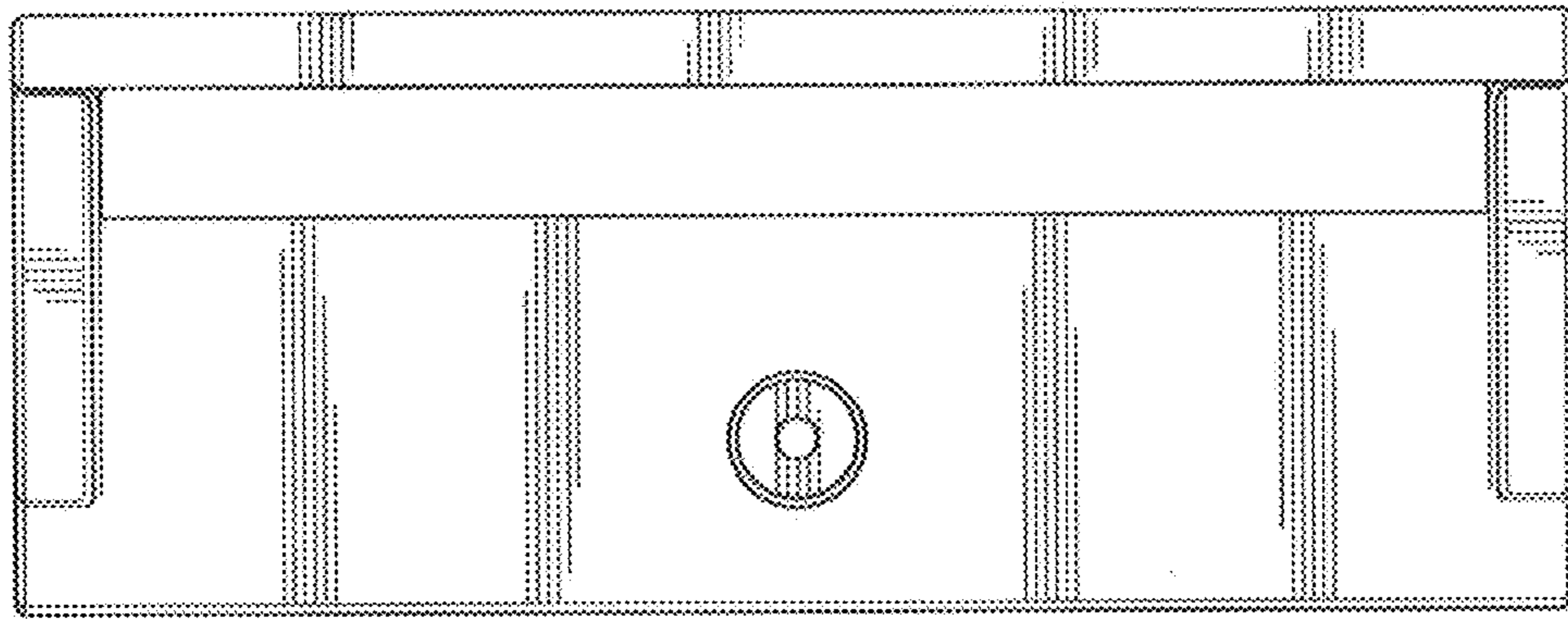


Fig. 14

