



US00D835972S

(12) **United States Design Patent**
Patil et al.

(10) **Patent No.:** **US D835,972 S**

(45) **Date of Patent:** **** Dec. 18, 2018**

- (54) **SENSOR MOUNTING TABLE**
- (71) Applicant: **Cummins Emission Solutions Inc.**
- (72) Inventors: **Mrinmayi Patil**, Baner (IN); **Amar A. Mali**, Pimple Gurav (IN); **Maitri Chaturvedi**, Balewadi (IN); **Vinay Dandin**, Madison, WI (US)
- (73) Assignee: **Cummins Emission Solutions Inc.**, Columbus, IN (US)
- (**) Term: **15 Years**
- (21) Appl. No.: **29/618,150**
- (22) Filed: **Sep. 19, 2017**

Related U.S. Application Data

- (63) Continuation of application No. 14/743,685, filed on Jun. 18, 2015.
- (51) **LOC (11) Cl.** **08-05**
- (52) **U.S. Cl.**
USPC **D8/354**
- (58) **Field of Classification Search**
USPC D8/354, 349, 364, 366, 380
CPC F01N 3/2066; F01N 13/1855; F01N 3/021;
F01N 3/2892; F01N 13/008; F01N
13/1872; F01N 3/103
See application file for complete search history.

(56) **References Cited**

U.S. PATENT DOCUMENTS

- D244,748 S * 6/1977 Canterbury D8/354
- D371,293 S * 7/1996 Schoenmeyr D8/354
- 5,700,029 A * 12/1997 Enders B60R 21/2037
280/728.2
- 5,934,019 A * 8/1999 Rotharmel E05F 15/43
49/25
- 6,076,877 A 6/2000 Krieg et al.

- 6,171,540 B1 1/2001 Ibaragi
- 6,712,323 B1 * 3/2004 Cheung G10C 3/00
248/201
- 6,766,992 B1 * 7/2004 Parker F16M 13/022
248/218.4
- D523,803 S * 6/2006 Smith D12/223
- 7,192,463 B2 3/2007 Shutty et al.
- D575,220 S * 8/2008 Pockalny D12/223
- D625,168 S * 10/2010 Chen D8/354
- D654,350 S * 2/2012 Preda D8/354
- D667,718 S * 9/2012 Preda D8/354
- 8,341,949 B2 1/2013 Tarabulski
- 8,375,654 B1 2/2013 West et al.
- D698,074 S * 1/2014 Hargreaves D26/138
- D719,437 S * 12/2014 Atkins D8/349
- 9,648,764 B2 * 5/2017 Nakashima H05K 5/0204
- 9,744,880 B2 * 8/2017 Jamieson B60N 2/682

(Continued)

Primary Examiner — Lakiya G Rogers

Assistant Examiner — Harold E Blackwell, II

(74) *Attorney, Agent, or Firm* — Foley & Lardner LLP

(57) **CLAIM**

We claim the ornamental design for a sensor mounting table, as shown and described.

DESCRIPTION

FIG. 1 is a perspective view of a sensor mounting table showing our new design;

FIG. 2 is a left side view thereof;

FIG. 3 is a right side view thereof;

FIG. 4 is a front view thereof;

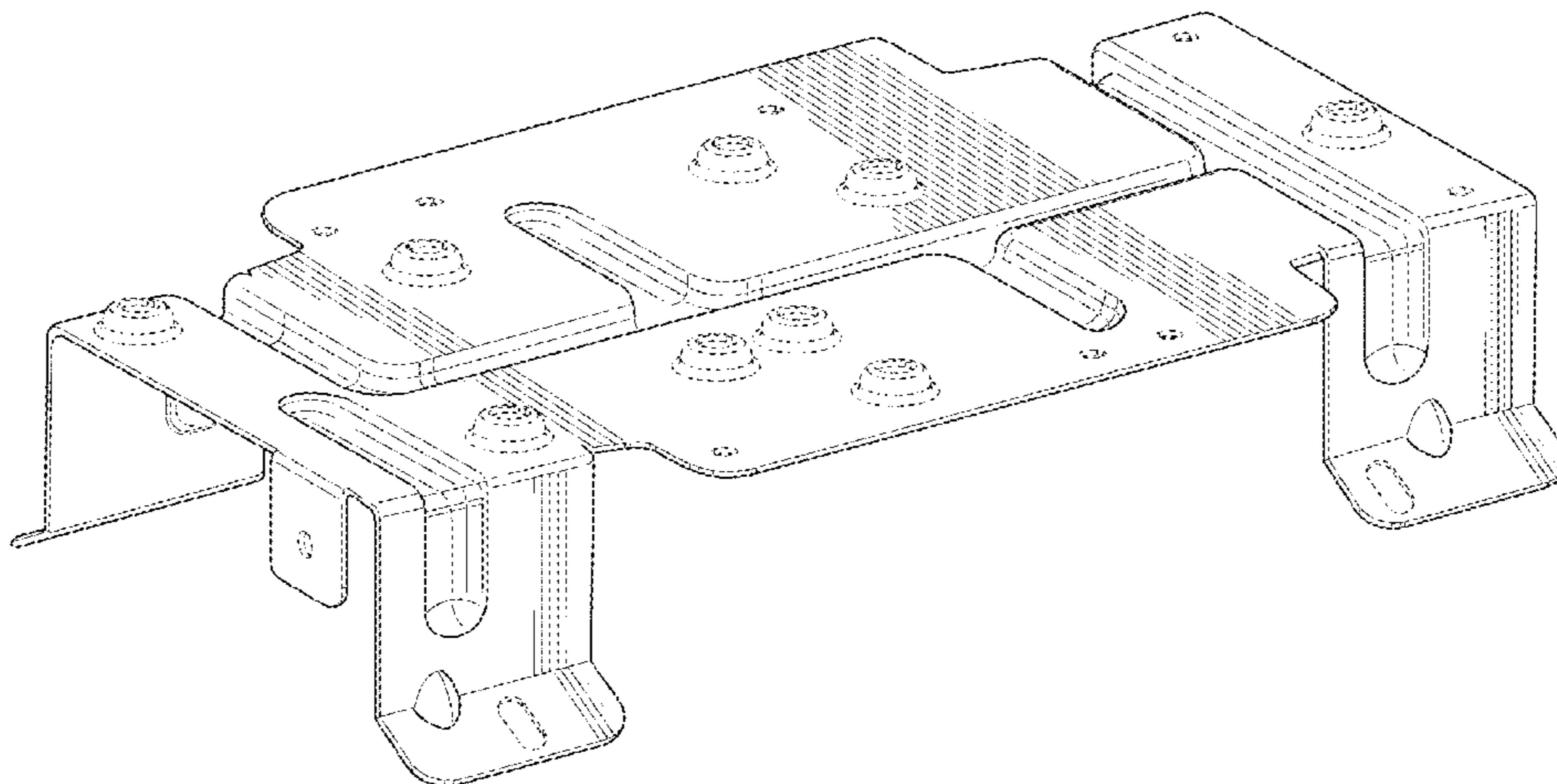
FIG. 5 is a rear view thereof;

FIG. 6 is a top view thereof; and,

FIG. 7 is a bottom view thereof.

The ornamental design which is claimed is shown in solid lines in the drawings. The broken lines formed by dashes show unclaimed subject matter and form no part of the claimed design.

1 Claim, 4 Drawing Sheets



(56)

References Cited

U.S. PATENT DOCUMENTS

D801,915 S * 11/2017 Bauer H02S 20/24
D13/102
D820,665 S * 6/2018 DeDios-Shirley D8/354
2002/0139515 A1 10/2002 Azar
2009/0325049 A1 12/2009 Niedzwiecki et al.
2012/0042637 A1 2/2012 Roozenboom et al.
2016/0369940 A1* 12/2016 Patil F01N 3/2066

* cited by examiner

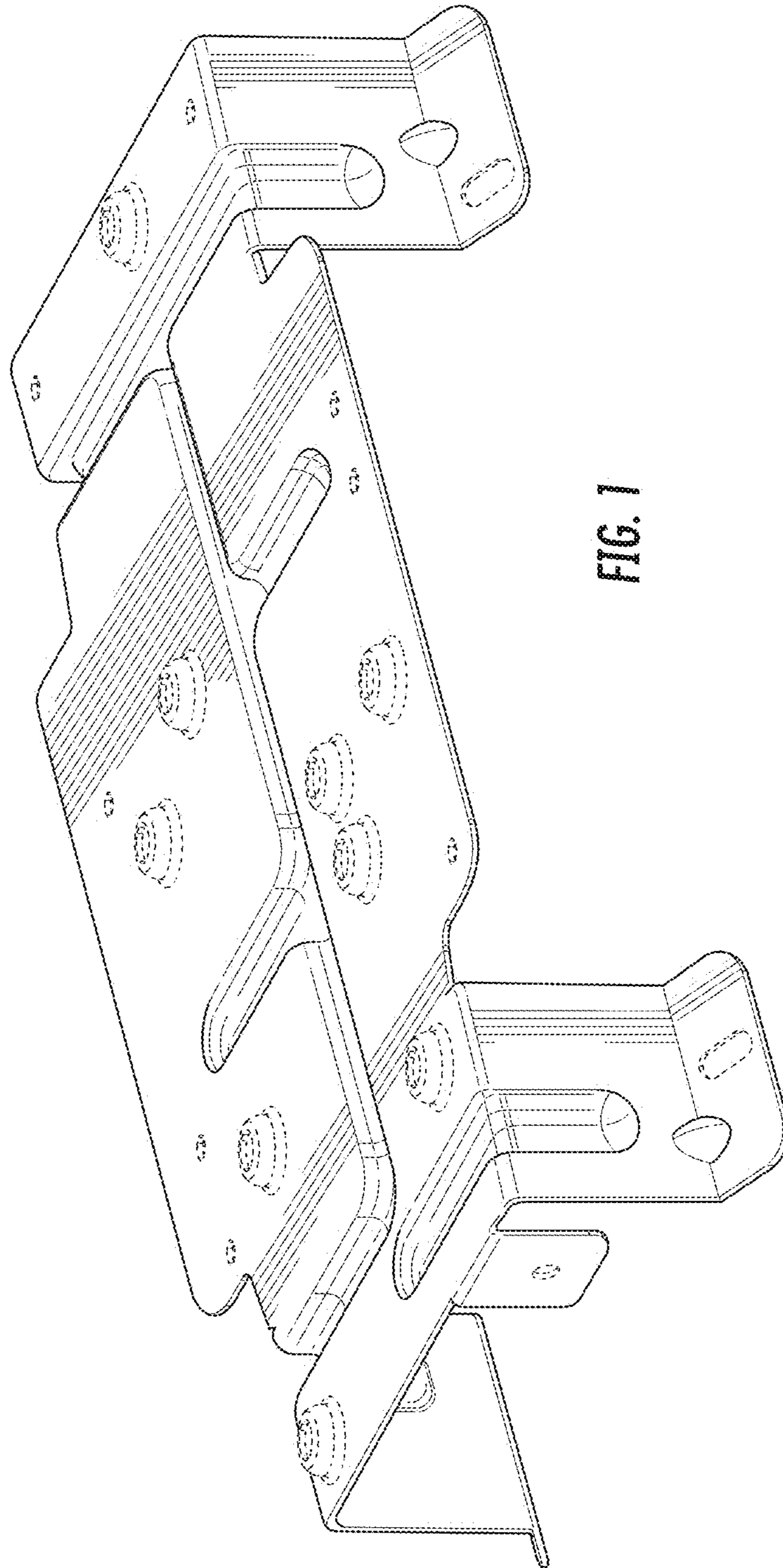


FIG. 1

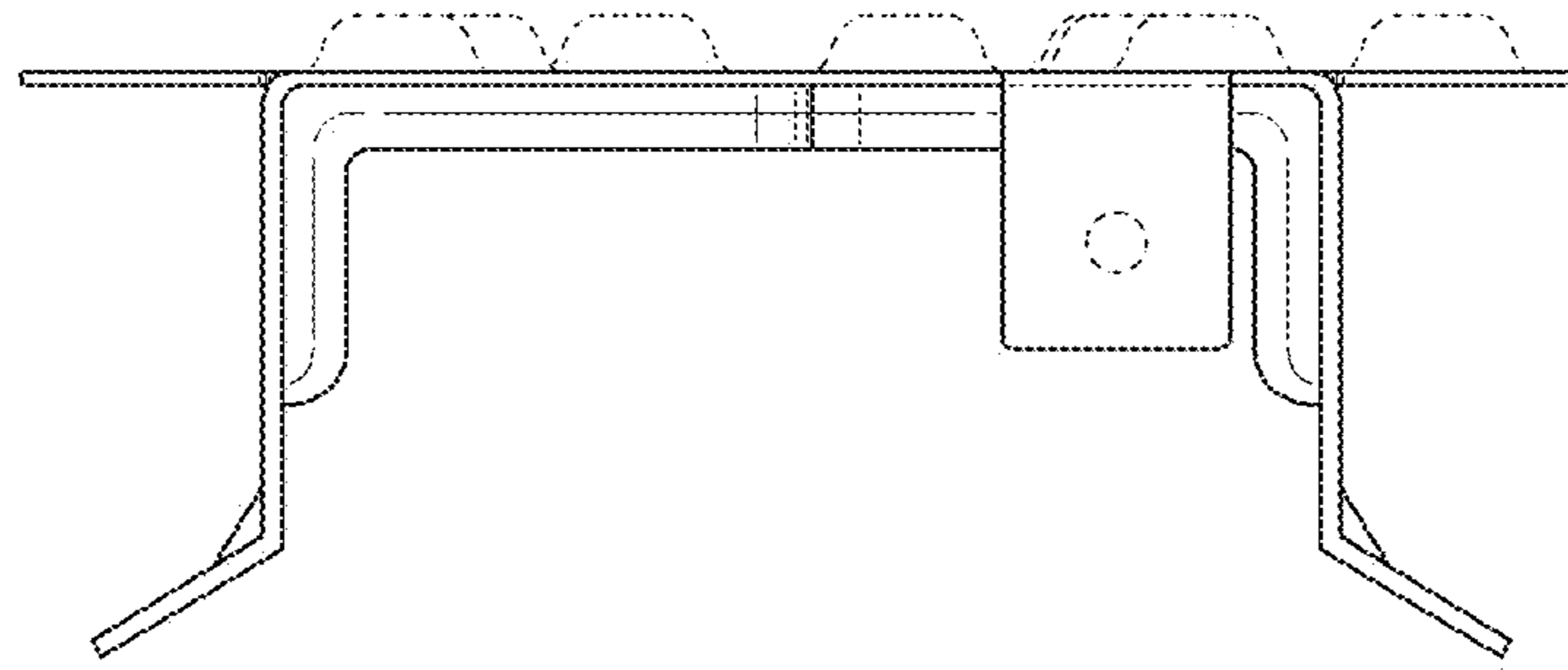


FIG. 2

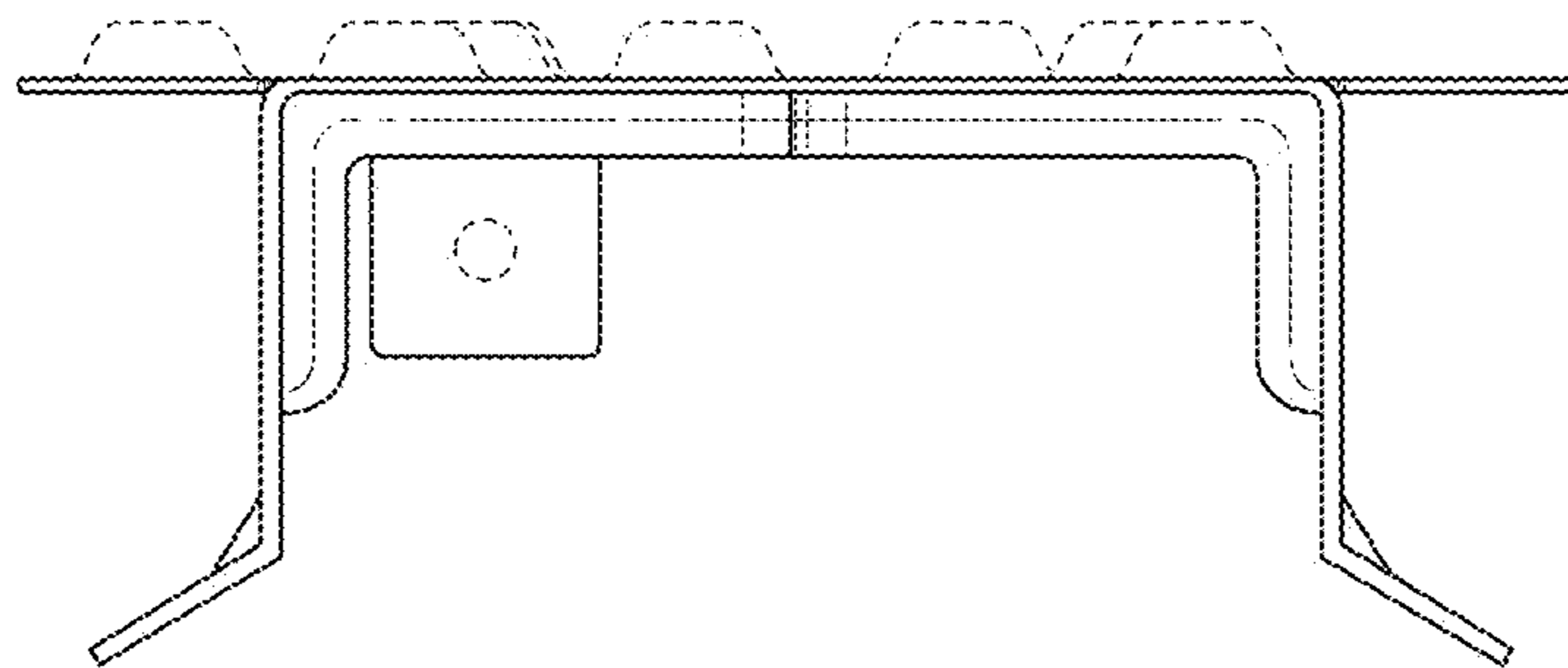


FIG. 3

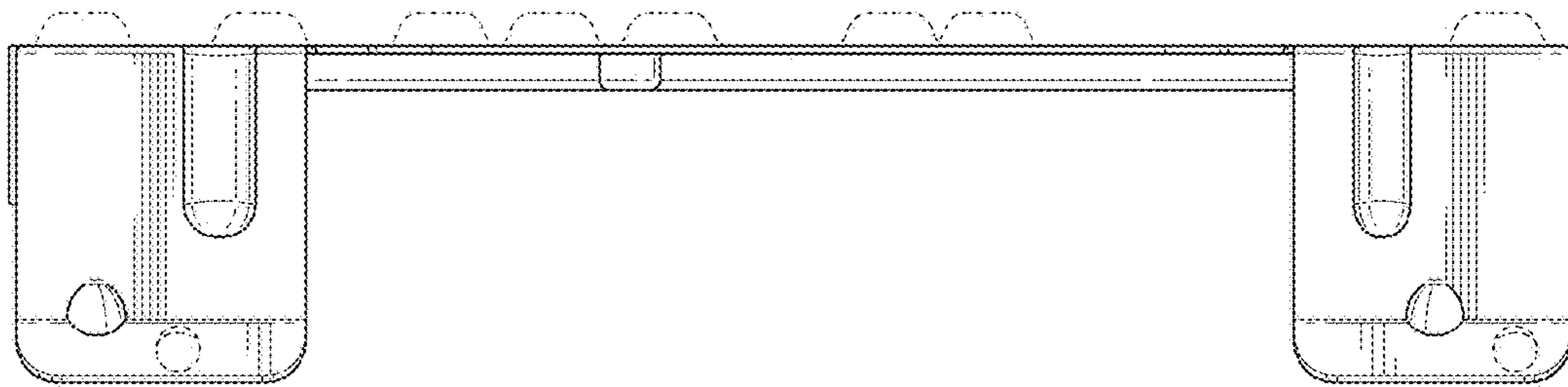


FIG. 4

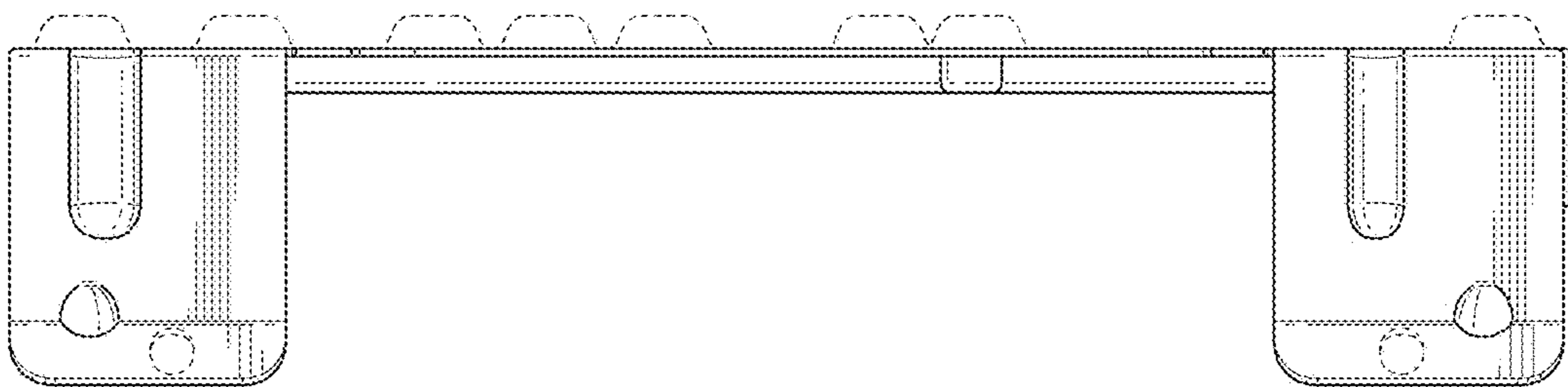


FIG. 5

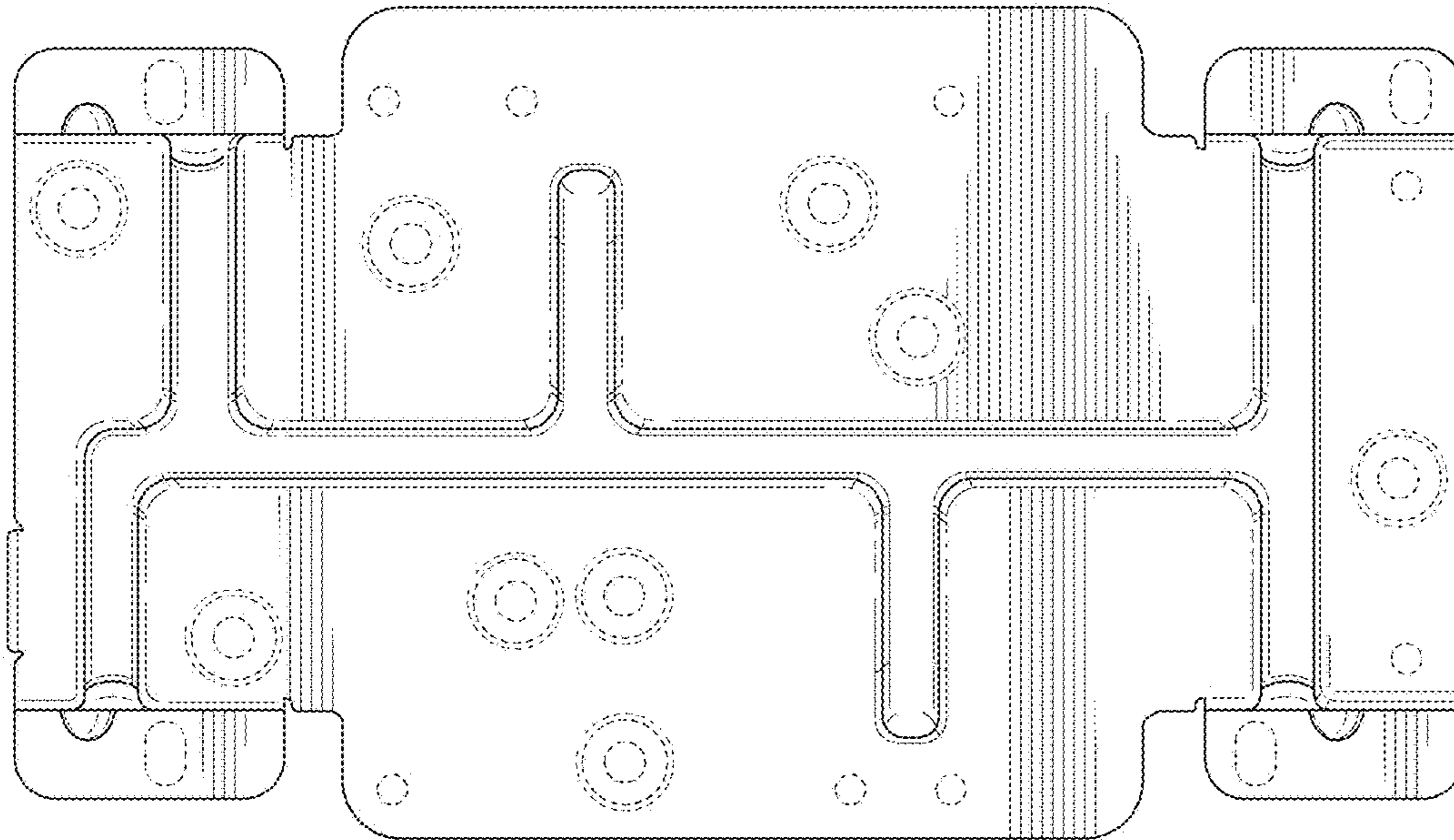


FIG. 6

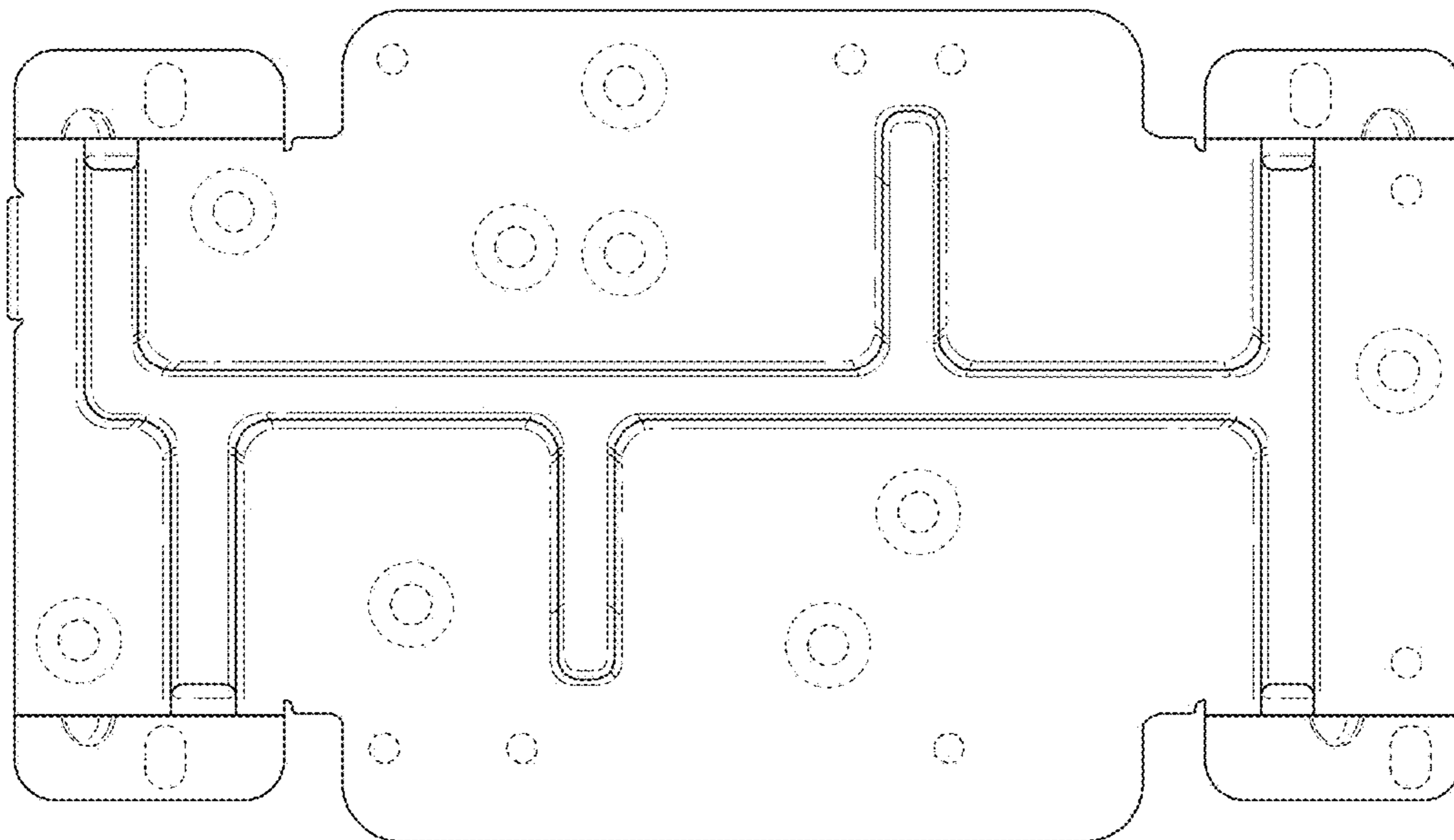


FIG. 7