



US00D835969S

(12) **United States Design Patent**  
**Dylewski, II**

(10) **Patent No.:** **US D835,969 S**

(45) **Date of Patent:** **\*\* Dec. 18, 2018**

- (54) **T-LATCH HANDLE ASSEMBLY**
- (71) Applicant: **Truck Accessories Group, LLC**,  
Elkhart, IN (US)
- (72) Inventor: **Eugene A. Dylewski, II**, Granger, IN  
(US)
- (73) Assignee: **Truck Accessories Group, LLC**,  
Elkhart, IN (US)
- (\*\*) Term: **15 Years**

- 5,038,588 A \* 8/1991 Hall ..... E05B 5/003  
70/208
- 6,422,049 B1 \* 7/2002 Jenks ..... E05B 5/003  
292/336.3
- 6,581,986 B2 \* 6/2003 Roatis ..... E05B 17/0029  
292/199
- 6,866,442 B1 \* 3/2005 Petersen ..... E02D 29/1427  
220/324
- D607,301 S \* 1/2010 Chen ..... D8/331
- 7,918,111 B2 \* 4/2011 Uliano ..... E05B 67/36  
70/2
- D716,738 S \* 11/2014 York ..... D13/147

(Continued)

(21) Appl. No.: **29/598,283**

*Primary Examiner* — Elizabeth J Oswecki

(22) Filed: **Mar. 24, 2017**

(74) *Attorney, Agent, or Firm* — Barnes & Thornburg  
LLP

**Related U.S. Application Data**

(62) Division of application No. 29/544,123, filed on Oct.  
30, 2015, now Pat. No. Des. 782,276.

(51) **LOC (11) Cl.** ..... **08-07**

(52) **U.S. Cl.**  
USPC ..... **D8/331**

(58) **Field of Classification Search**

USPC ..... D8/330, 331, 342, 343, 344, 349;  
D9/434, 435, 446; 206/528, 535, 828;  
220/200, 203.22, 293, 361–363, 740, 334,  
220/339, 333; 340/572.1, 572.8, 572.9,  
340/539.13, 539.26, 542, 571, 693.5;  
411/107, 116, 176, 378, 424, 427, 436;  
70/50, 51, 52, 90, 101, 158, 164, 465,  
70/466, 434; 292/307 R, 307 B, 327,  
292/251, 256, 67, 303, 911, 913, 924,  
292/2–5, 8, 43

CPC . E05C 1/00; E05C 19/00; E05C 19/10; F16B  
31/00; F16B 31/021; F16B 41/005

See application file for complete search history.

(56) **References Cited**

**U.S. PATENT DOCUMENTS**

- 4,552,001 A \* 11/1985 Roop ..... E05B 5/003  
70/208
- 4,835,998 A \* 6/1989 Steinbach ..... E05B 5/003  
70/207

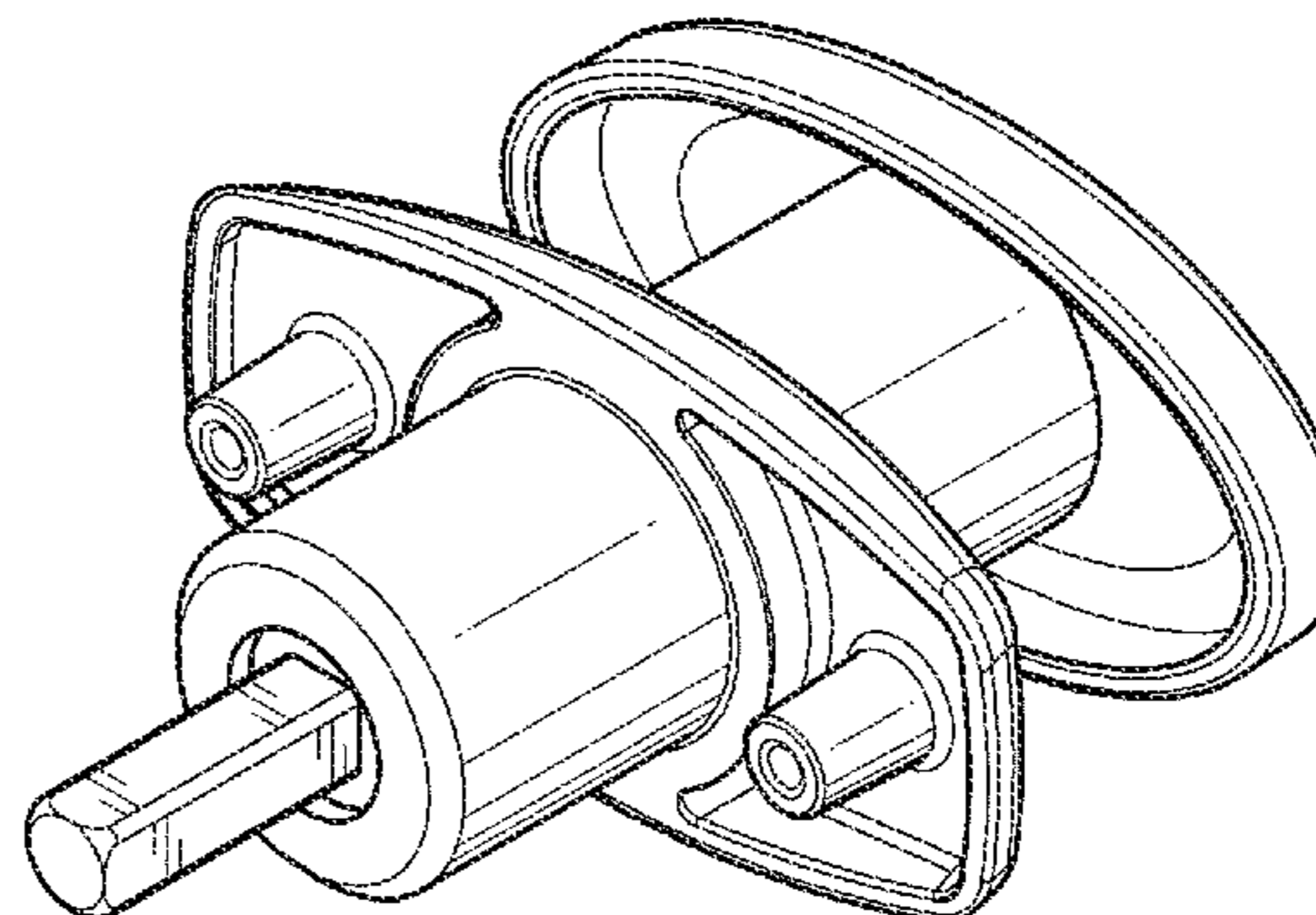
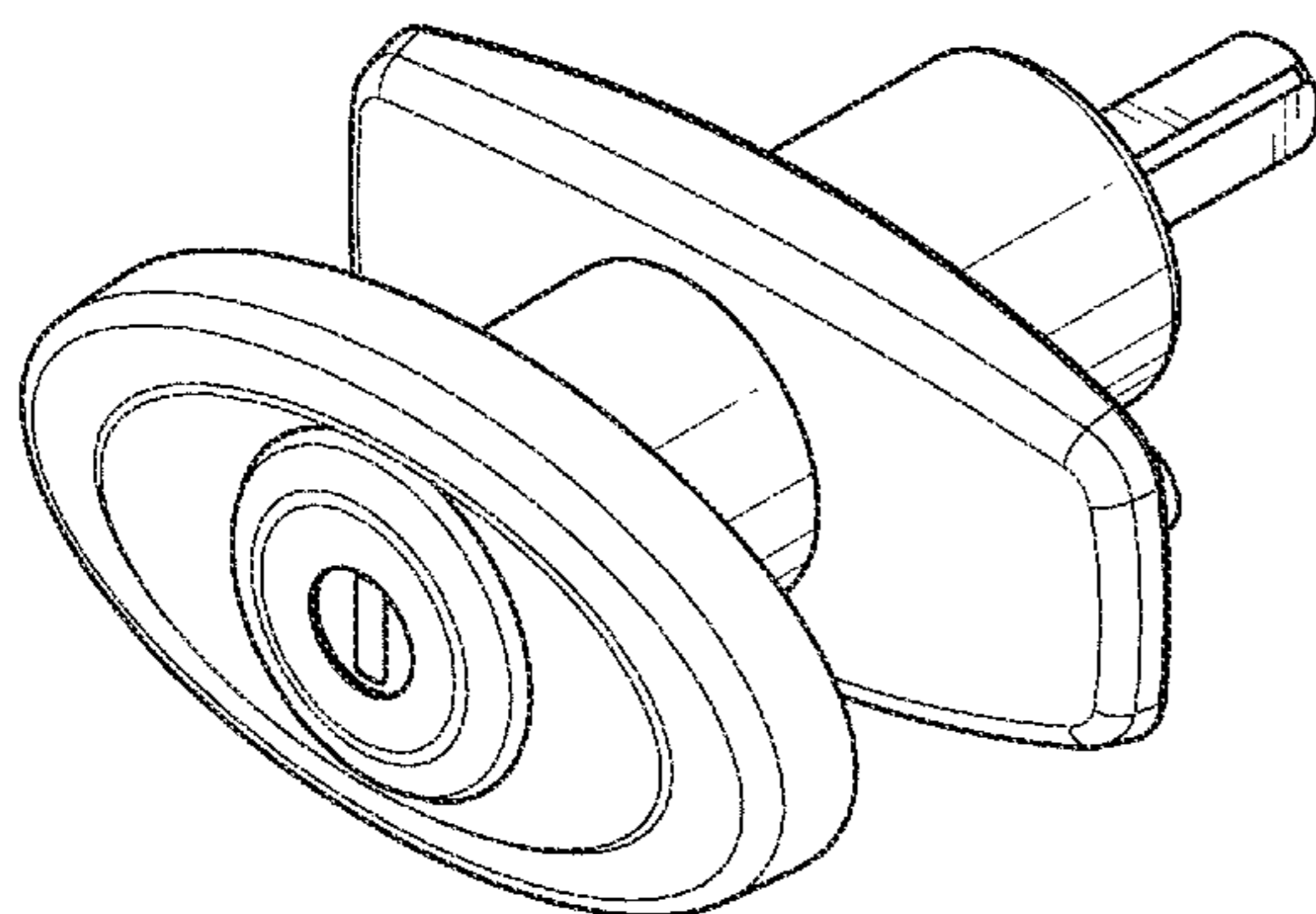
(57) **CLAIM**

The ornamental design for a T-latch handle assembly, as  
shown and described.

**DESCRIPTION**

FIG. 1 is a perspective view of a T-latch handle assembly  
showing my new design;  
FIG. 2 is another perspective view thereof;  
FIG. 3 is a bottom perspective view thereof;  
FIG. 4 is another bottom perspective view thereof;  
FIG. 5 is a rear perspective view thereof;  
FIG. 6 is another rear perspective view thereof;  
FIG. 7 is a bottom, rear perspective view thereof;  
FIG. 8 is another bottom, rear perspective view thereof;  
FIG. 9 is a top view thereof;  
FIG. 10 is a bottom view thereof;  
FIG. 11 is a front view thereof;  
FIG. 12 is a rear view thereof;  
FIG. 13 is a right side view thereof; and,  
FIG. 14 is a left side view thereof.

**1 Claim, 14 Drawing Sheets**



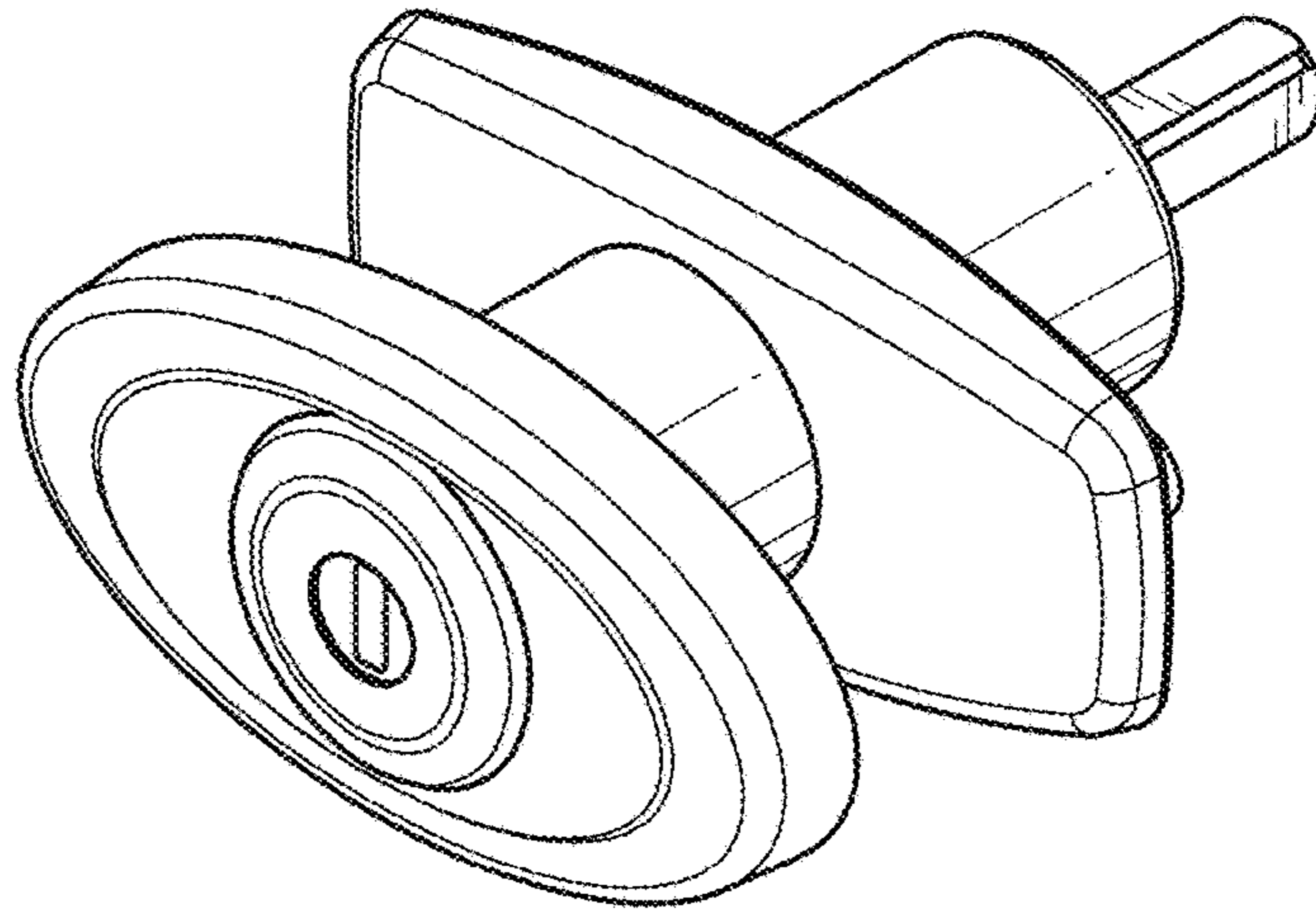
(56)

**References Cited**

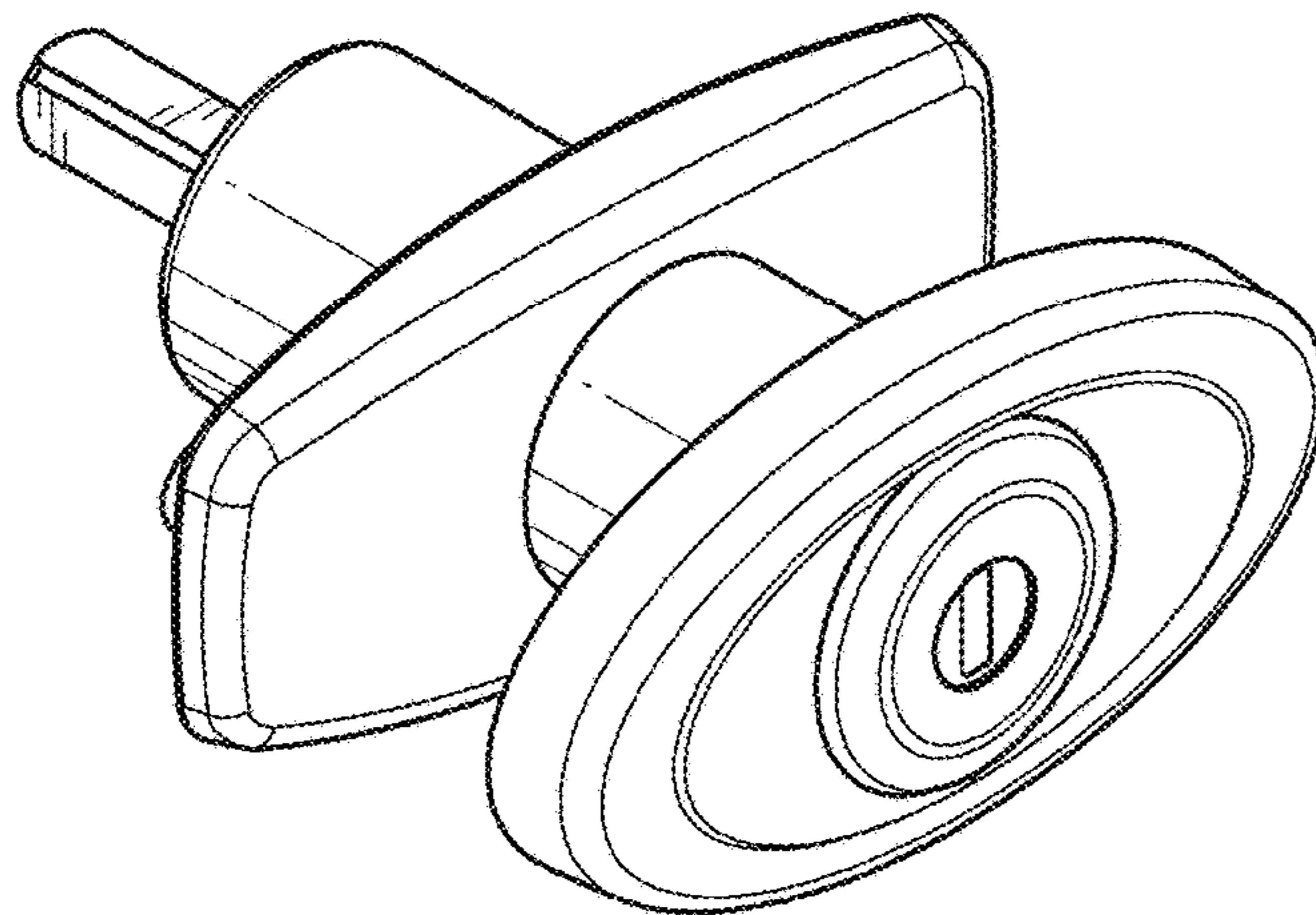
U.S. PATENT DOCUMENTS

D722,261 S \* 2/2015 Myers ..... D8/331  
D756,744 S \* 5/2016 Weisshaupt ..... D8/331

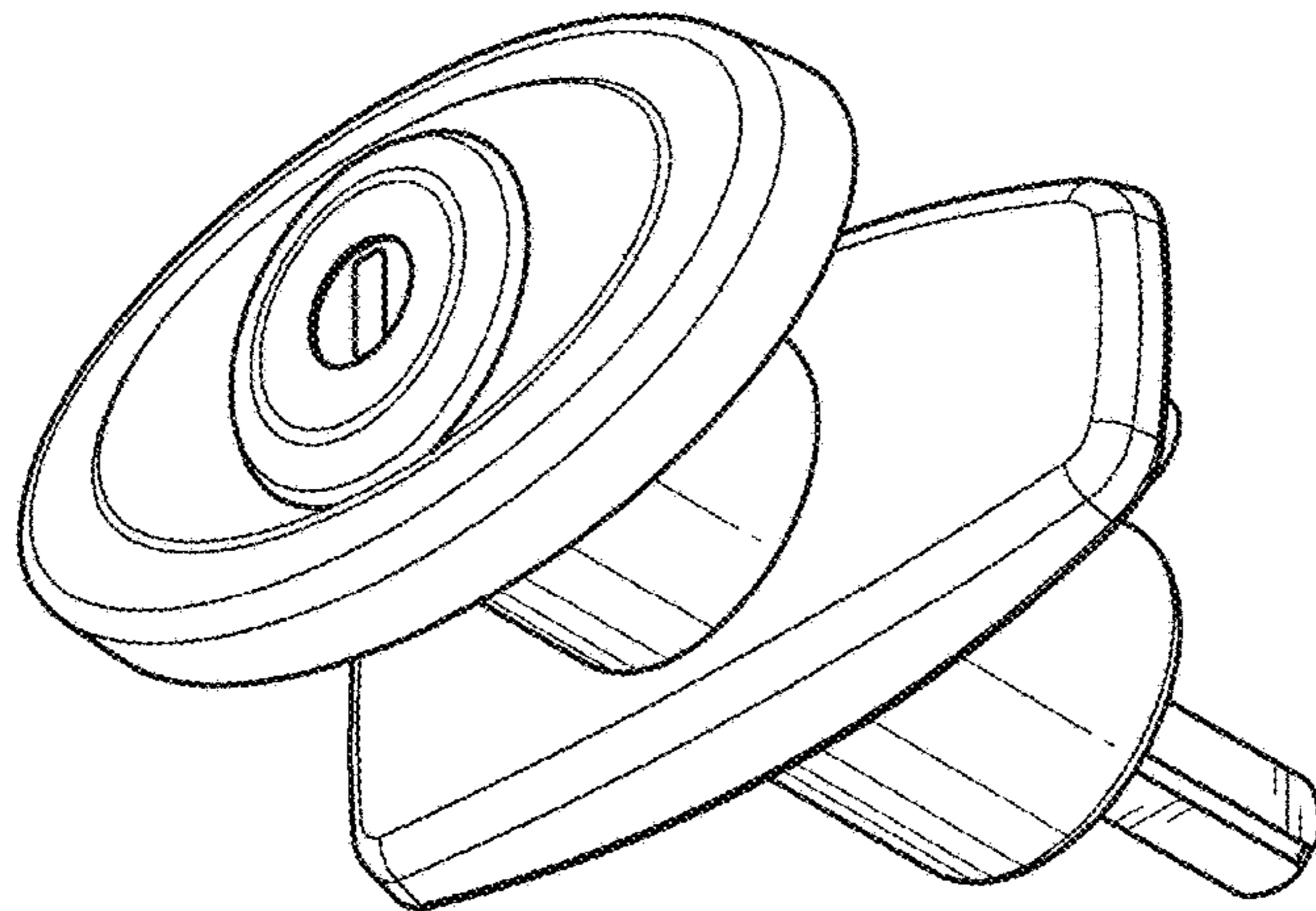
\* cited by examiner



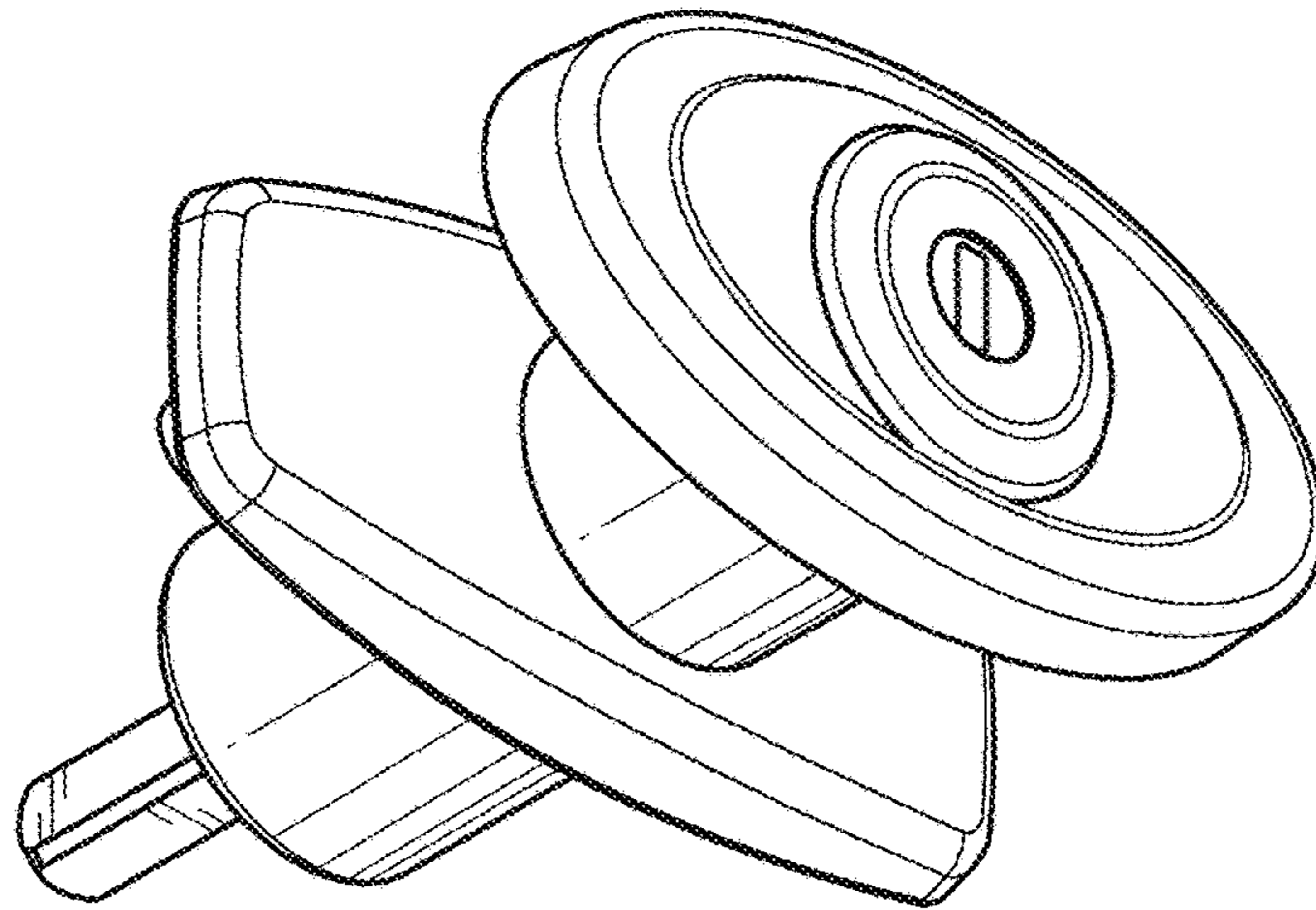
*FIG. 1*



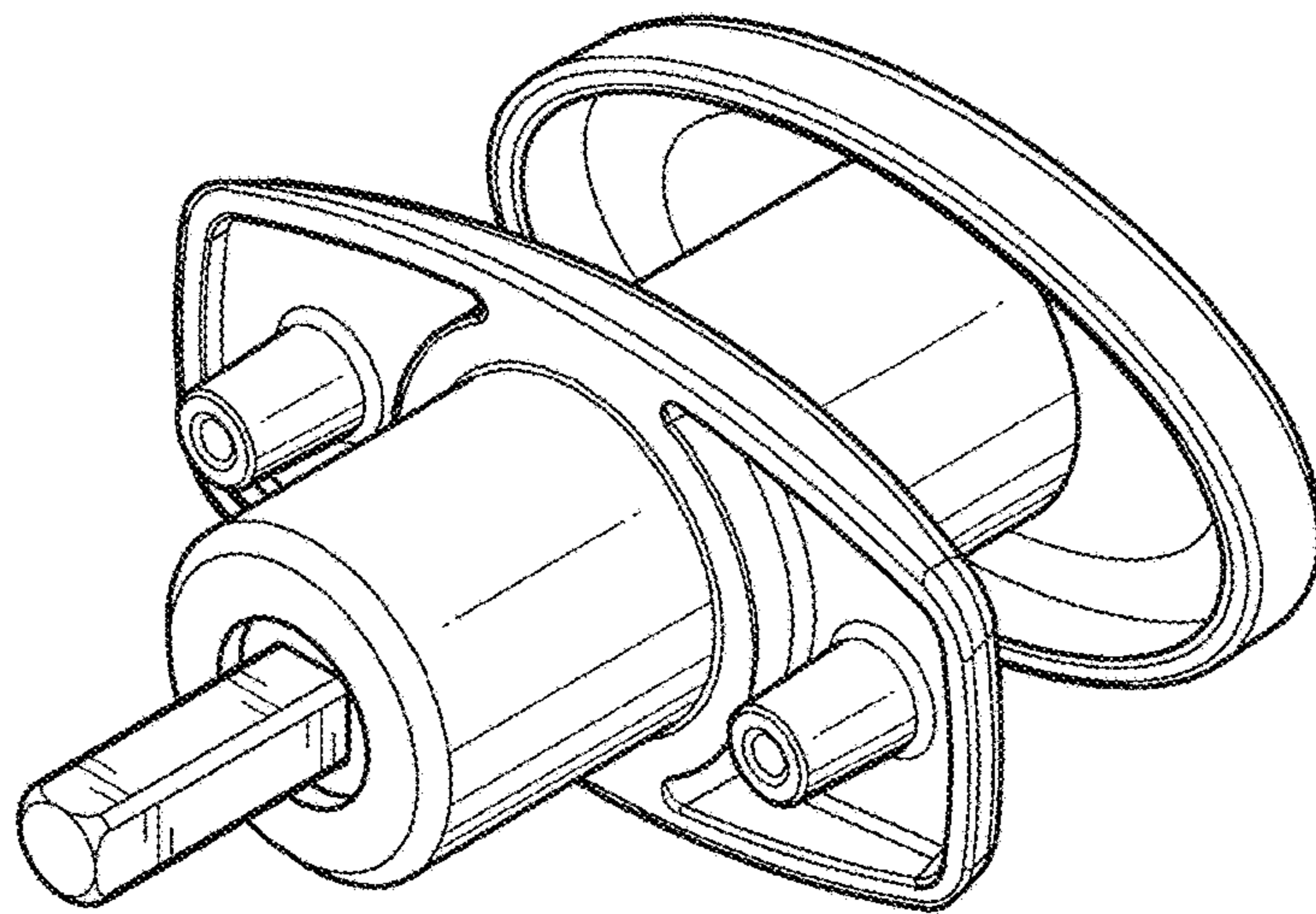
*FIG. 2*



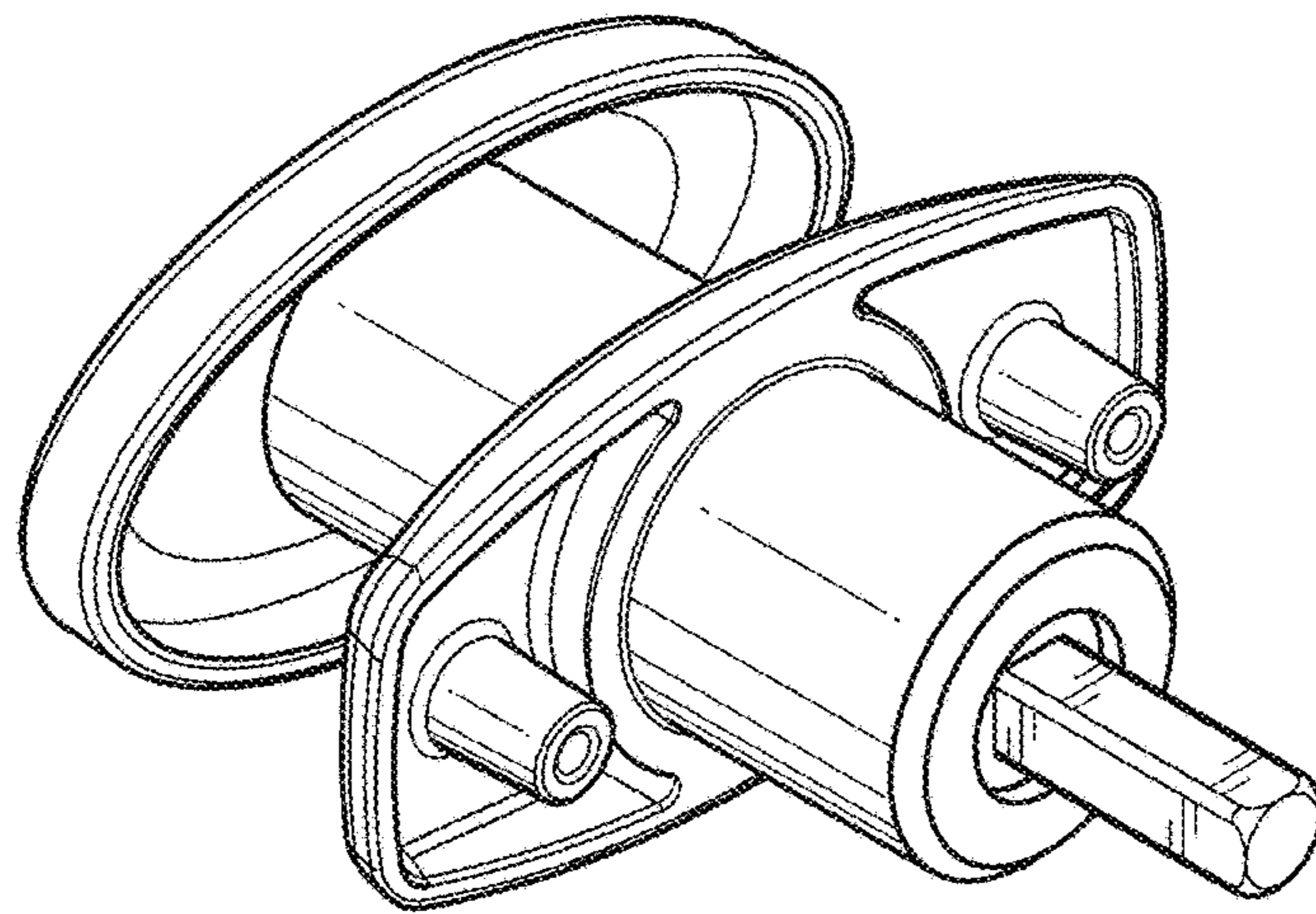
*FIG. 3*



*FIG. 4*

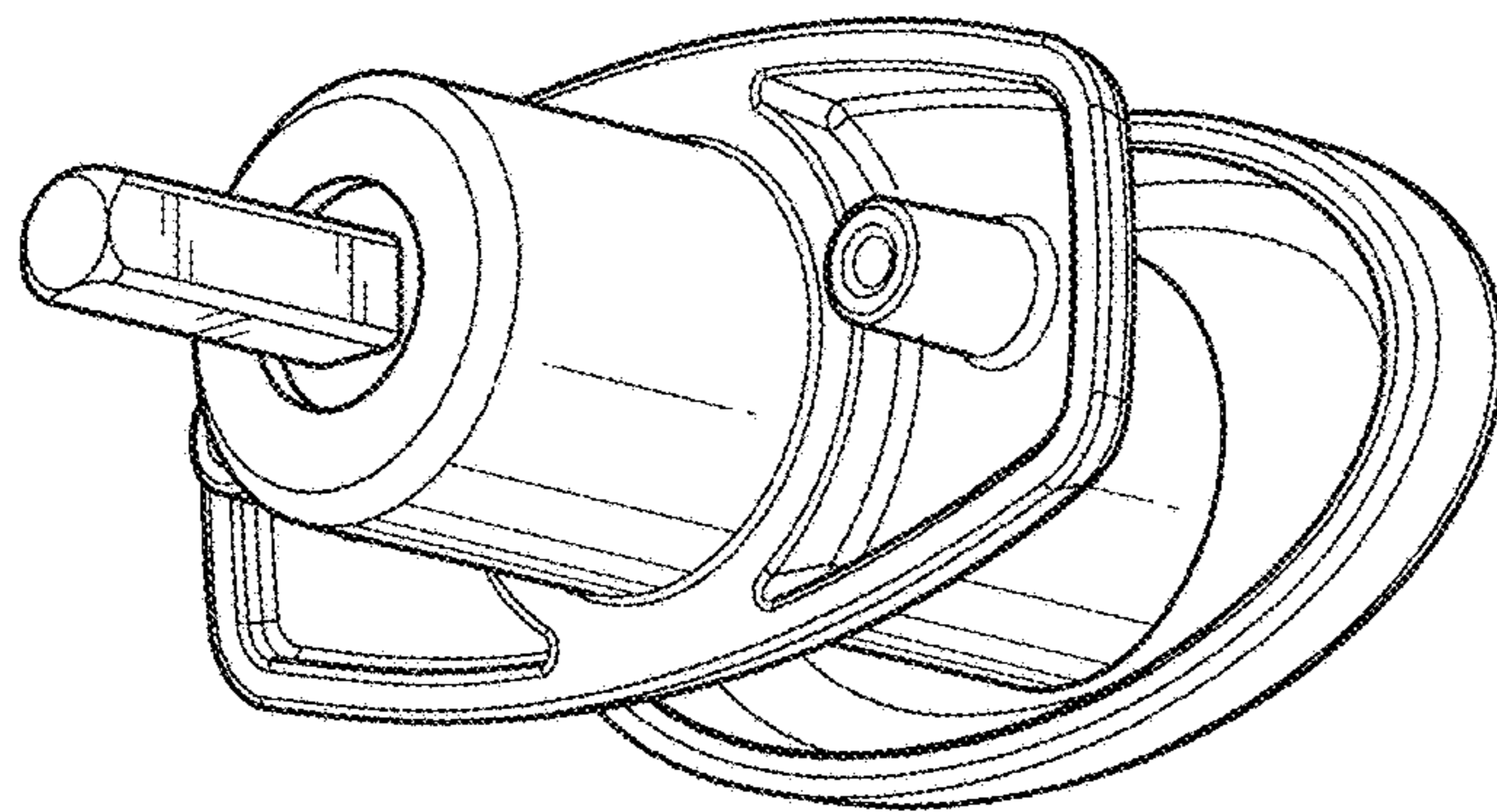


*FIG. 5*

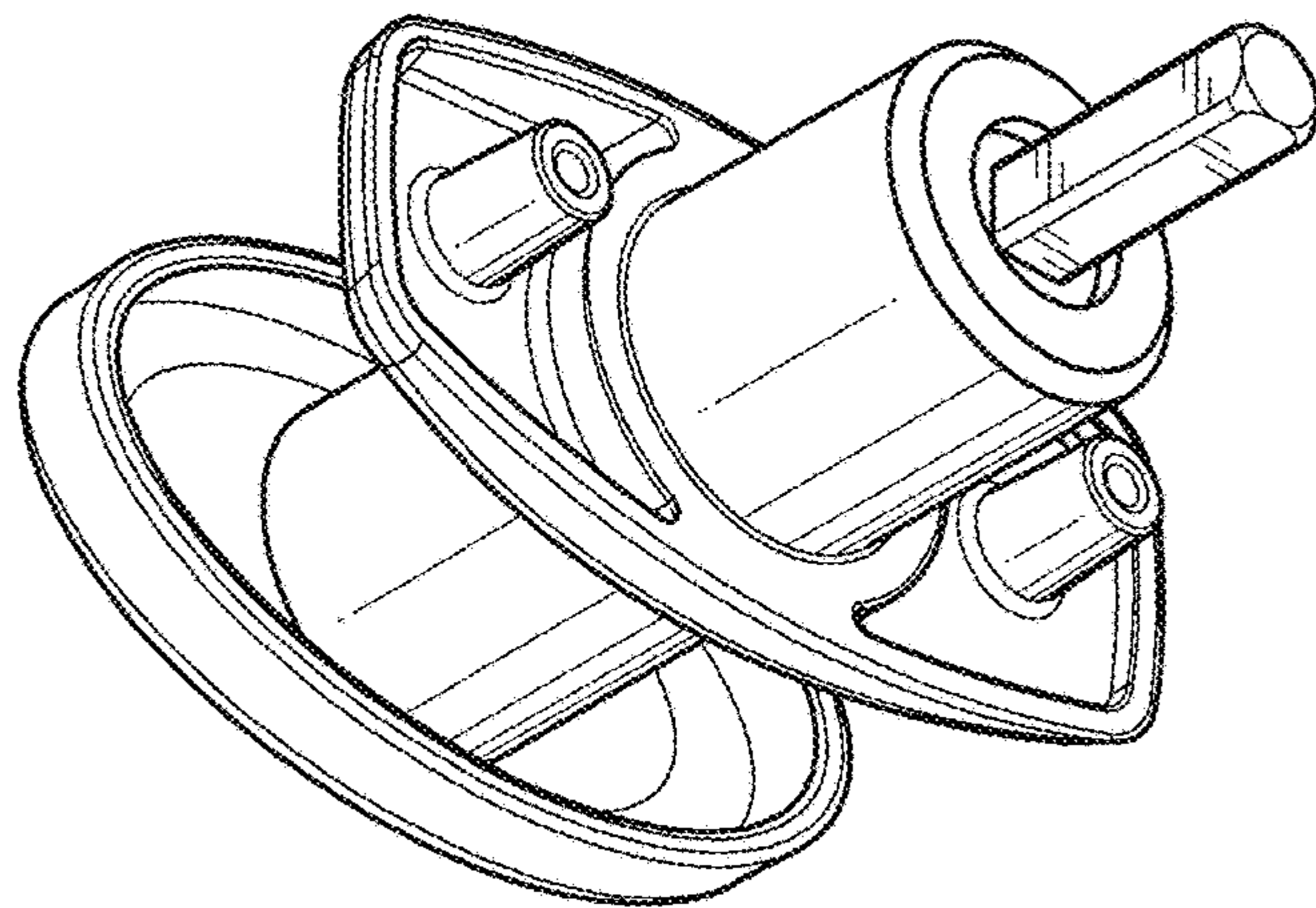


*FIG. 6*

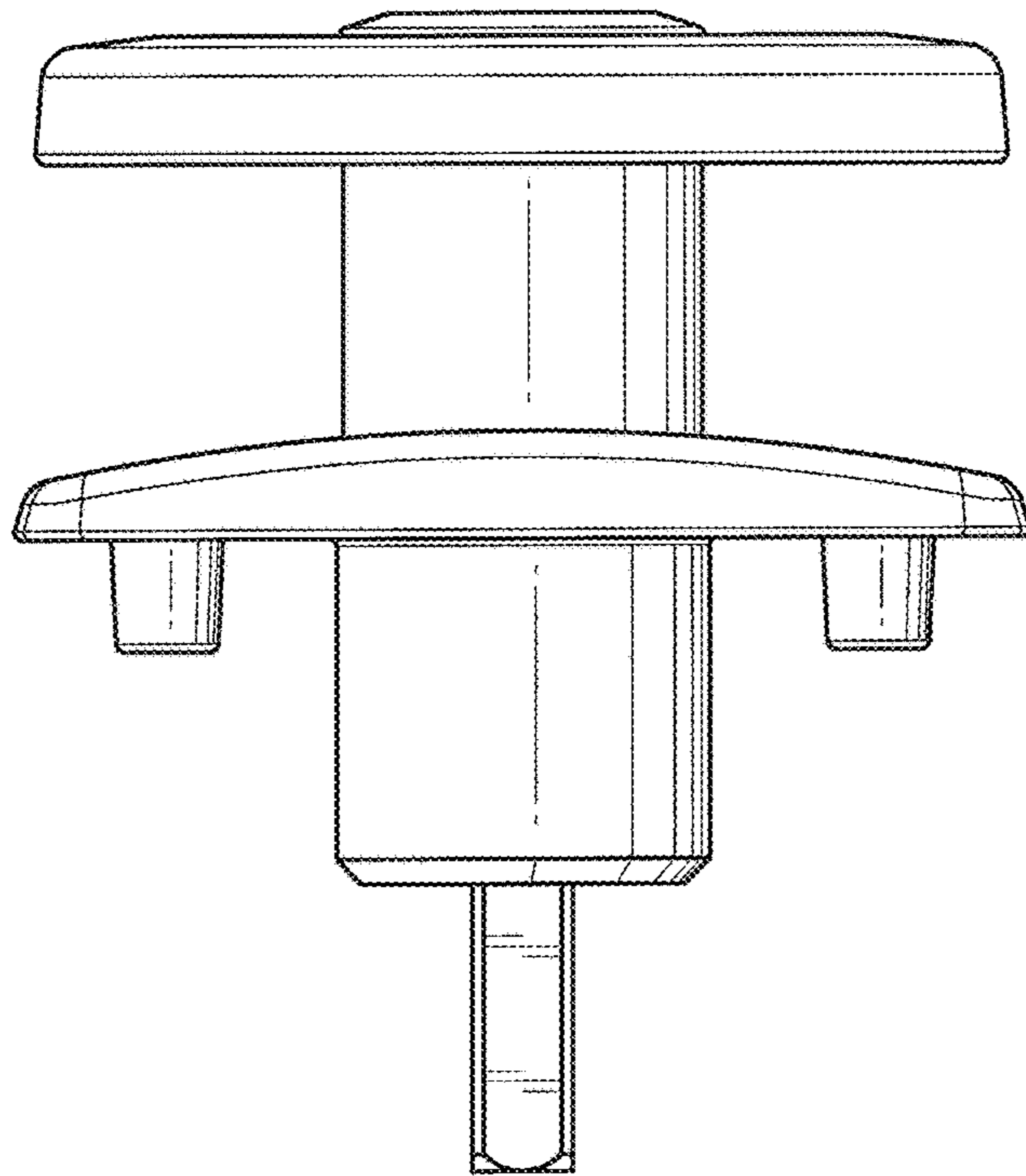




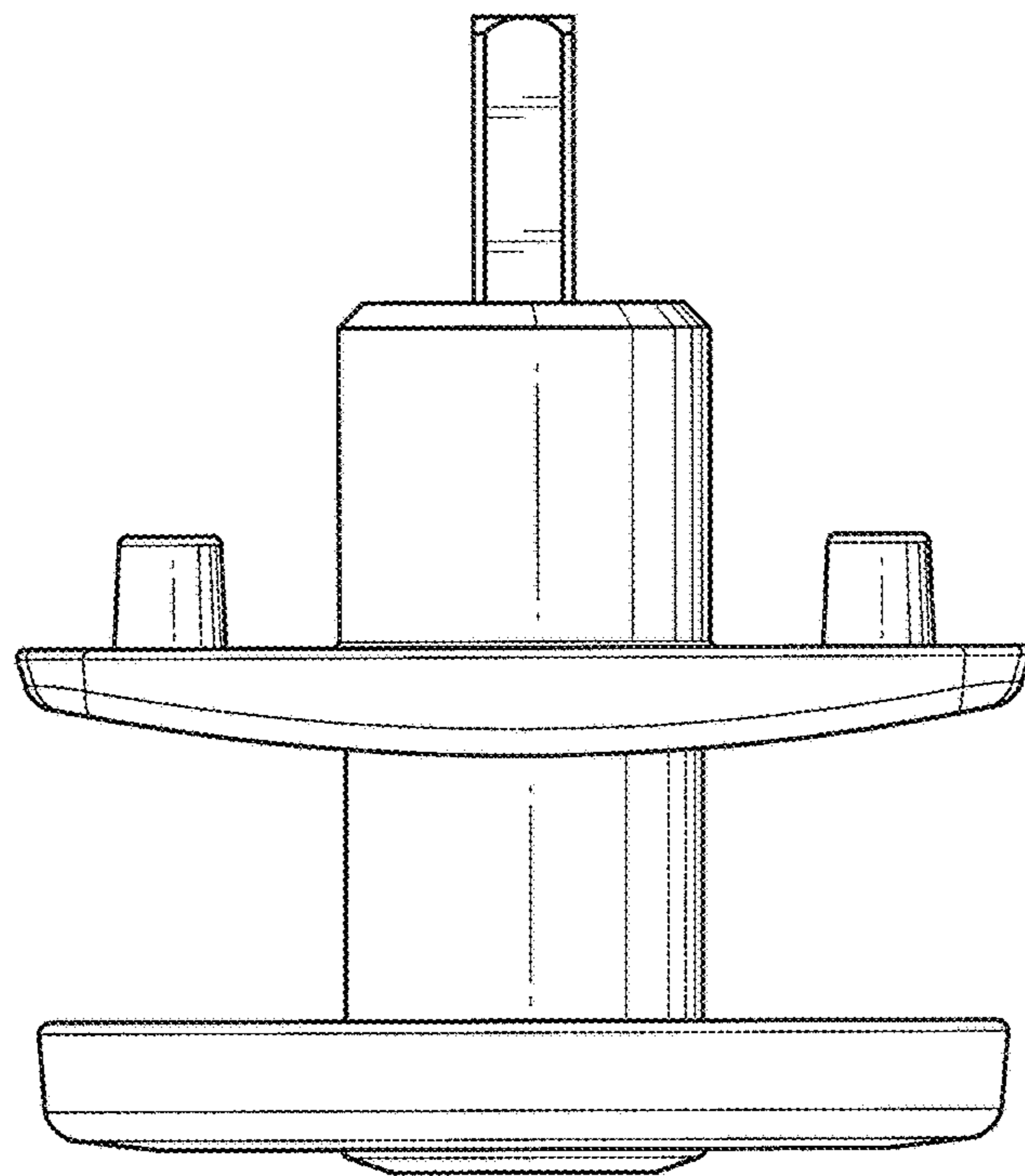
*FIG. 7*



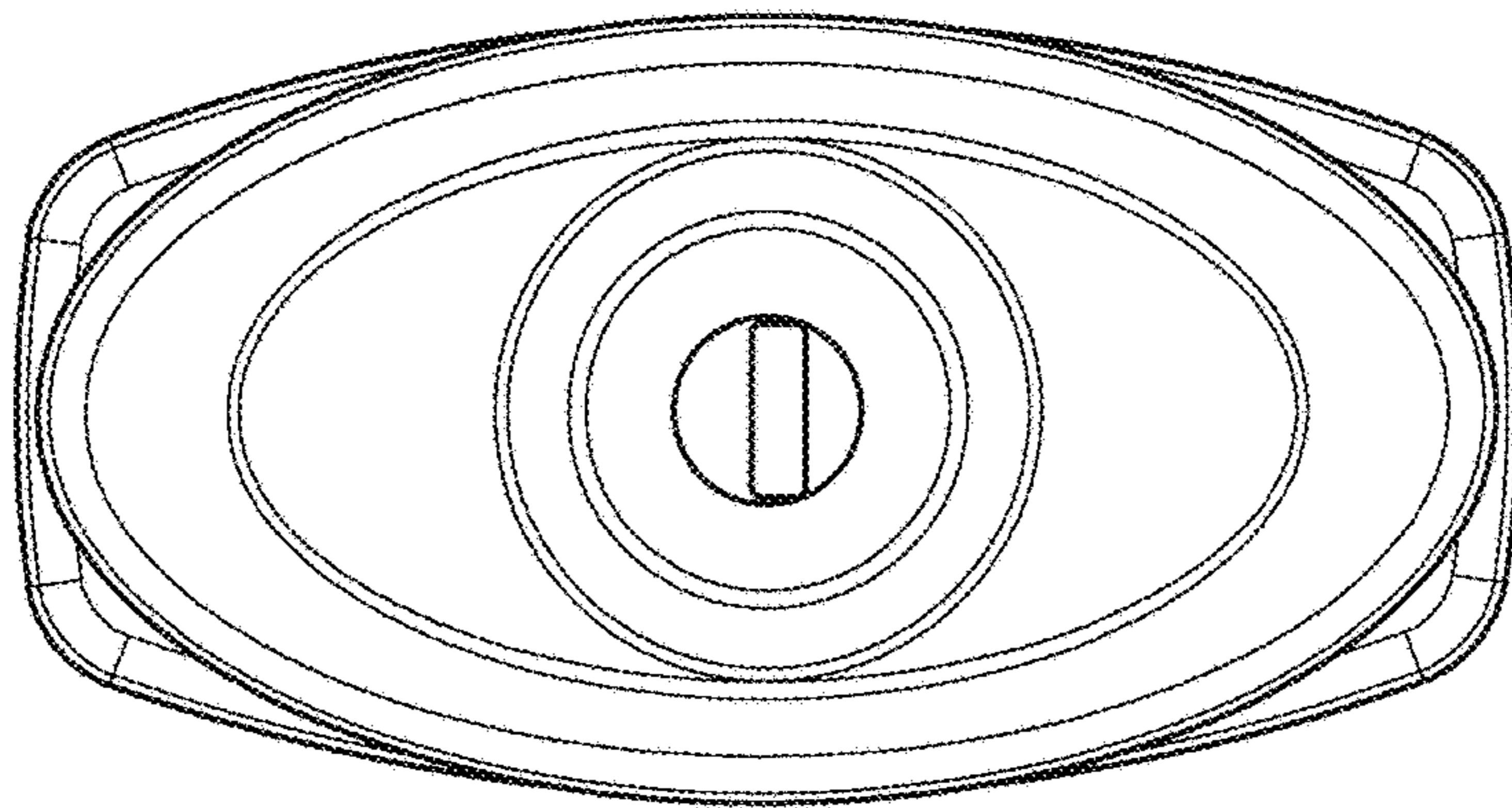
*FIG. 8*



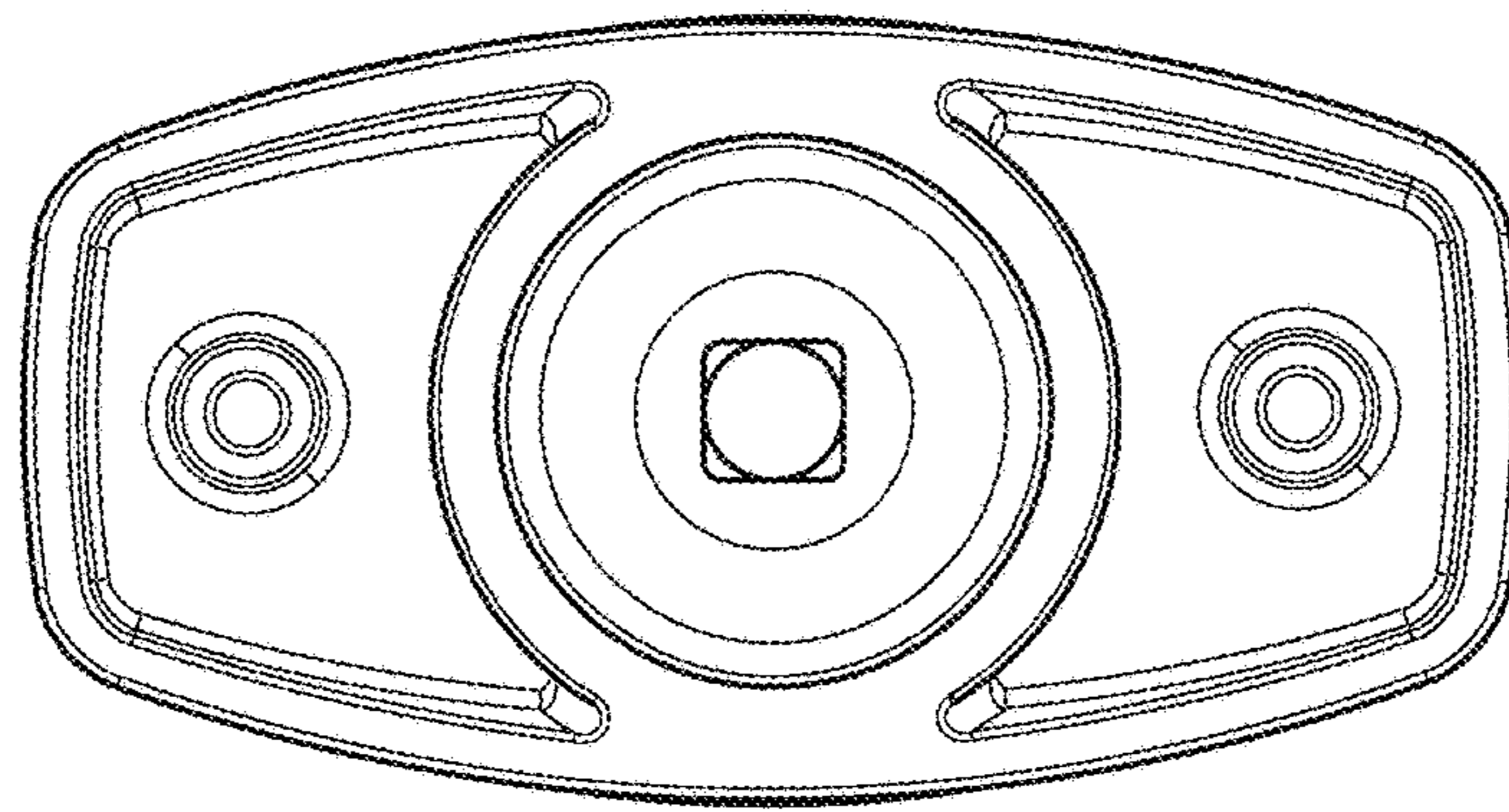
*FIG. 9*



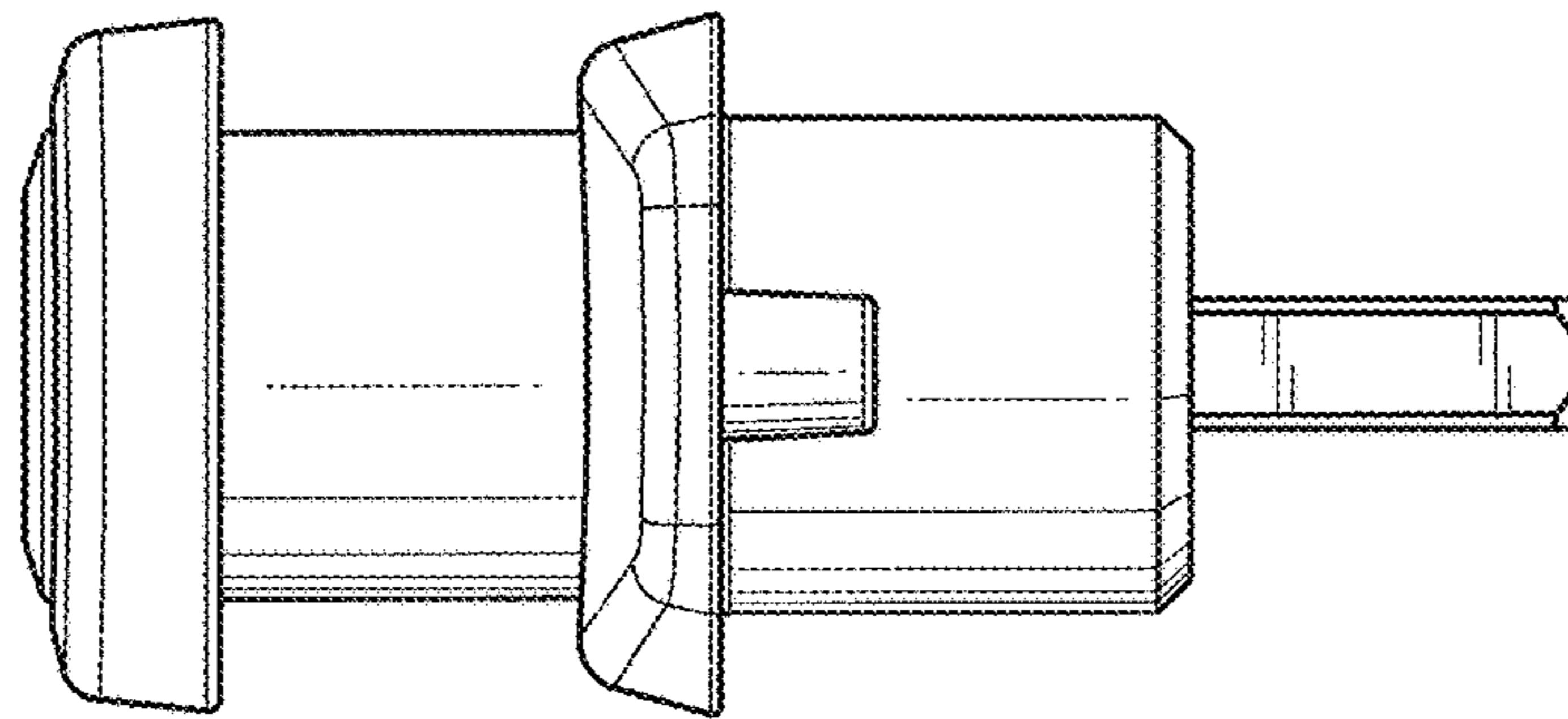
*FIG. 10*



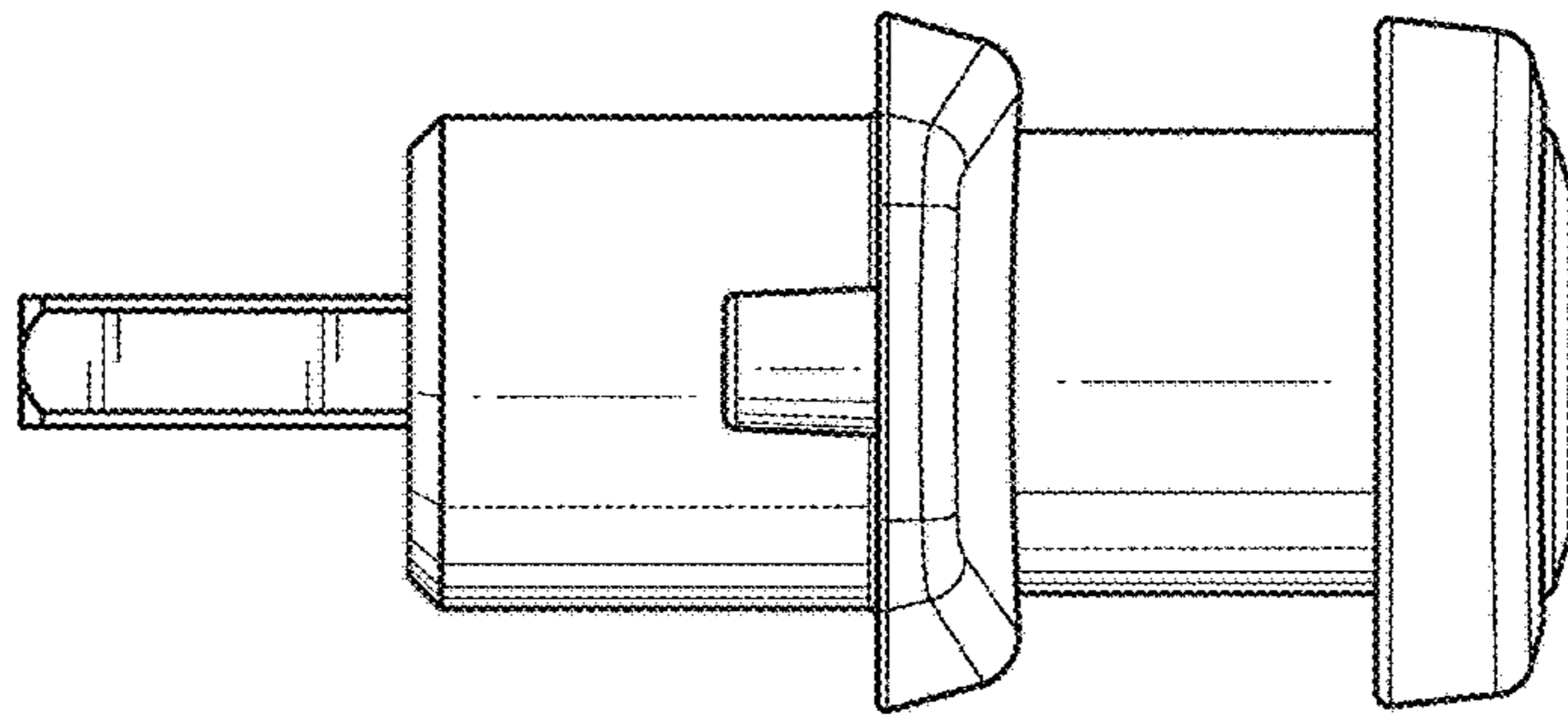
*FIG. 11*



*FIG. 12*



*FIG. 13*



*FIG. 14*