



US00D835966S

(12) **United States Design Patent** (10) **Patent No.:** **US D835,966 S**  
**Green** (45) **Date of Patent:** **\*\* Dec. 18, 2018**

(54) **FOLDING KNIFE**

(71) Applicant: **Salena Green**, Cleburne, TX (US)

(72) Inventor: **Salena Green**, Cleburne, TX (US)

(\*\*) Term: **15 Years**

(21) Appl. No.: **29/580,005**

(22) Filed: **Oct. 5, 2016**

**Related U.S. Application Data**

(63) Continuation-in-part of application No. 29/523,446, filed on Apr. 9, 2015.

(51) **LOC (11) Cl.** ..... **08-03**

(52) **U.S. Cl.**  
USPC ..... **D8/99**

(58) **Field of Classification Search**  
USPC ..... D8/98, 99, 100, 105, 107; D7/649;  
D22/118  
CPC .... B26B 1/00; B26B 1/02; B26B 1/08; B26B  
1/10; B26B 3/00

See application file for complete search history.

(56) **References Cited**

**U.S. PATENT DOCUMENTS**

4,227,303	A	10/1980	Brooker
D275,448	S	9/1984	Ferraro
4,470,327	A	9/1984	Gerber, Jr. et al.
D280,173	S	8/1985	Welch
4,651,419	A	3/1987	Reed, Jr.
4,730,393	A	3/1988	Coburn
D296,657	S	7/1988	Lefeber
D333,604	S	3/1993	Thompson et al.
6,560,877	B2	5/2003	Sanelli
D503,308	S	3/2005	Li
7,152,327	B2	12/2006	Rudisill et al.
7,249,417	B2	7/2007	Chu
7,716,839	B2	5/2010	Onion et al.

**OTHER PUBLICATIONS**

A.G. Russell Canal Street Cutlery Pinch Air Lockback, <http://www.agrussell.com/canal-street-cutlery-pinch-air-lockback/p/CSChhh597IM/>, Jun. 15, 2015.

A.G. Russell Folding Cook's Knife, <http://www.agrussell.com/a-g-russell-folding-cooks-knife/p/AG-135VG10/>, Jun. 15, 2015.

A.G. Russell Folding Cook's Knife II, <http://www.agrussell.com/a-g-russell-folding-cooks-knife-ii/p/AG-137BKG10/>, Jun. 15, 2015.

A.G. Russell Gentleman's Folding Steak Knives, <http://www.agrussell.com/product.asp?pn=RUS-CG23ERP>, Jun. 15, 2015.

(Continued)

*Primary Examiner* — Philip S Hyder

(74) *Attorney, Agent, or Firm* — Daniel J. Chalker; Chalker Flores, LLP

(57) **CLAIM**

The ornamental design for a folding knife, as shown and described.

**DESCRIPTION**

FIG. 1 is an isometric view of a folding knife showing my new design.

FIG. 2 is a side view of a folding knife.

FIG. 3 is a side view of a folding knife.

FIG. 4 is a bottom view of a folding knife.

FIG. 5 is a top view of a folding knife.

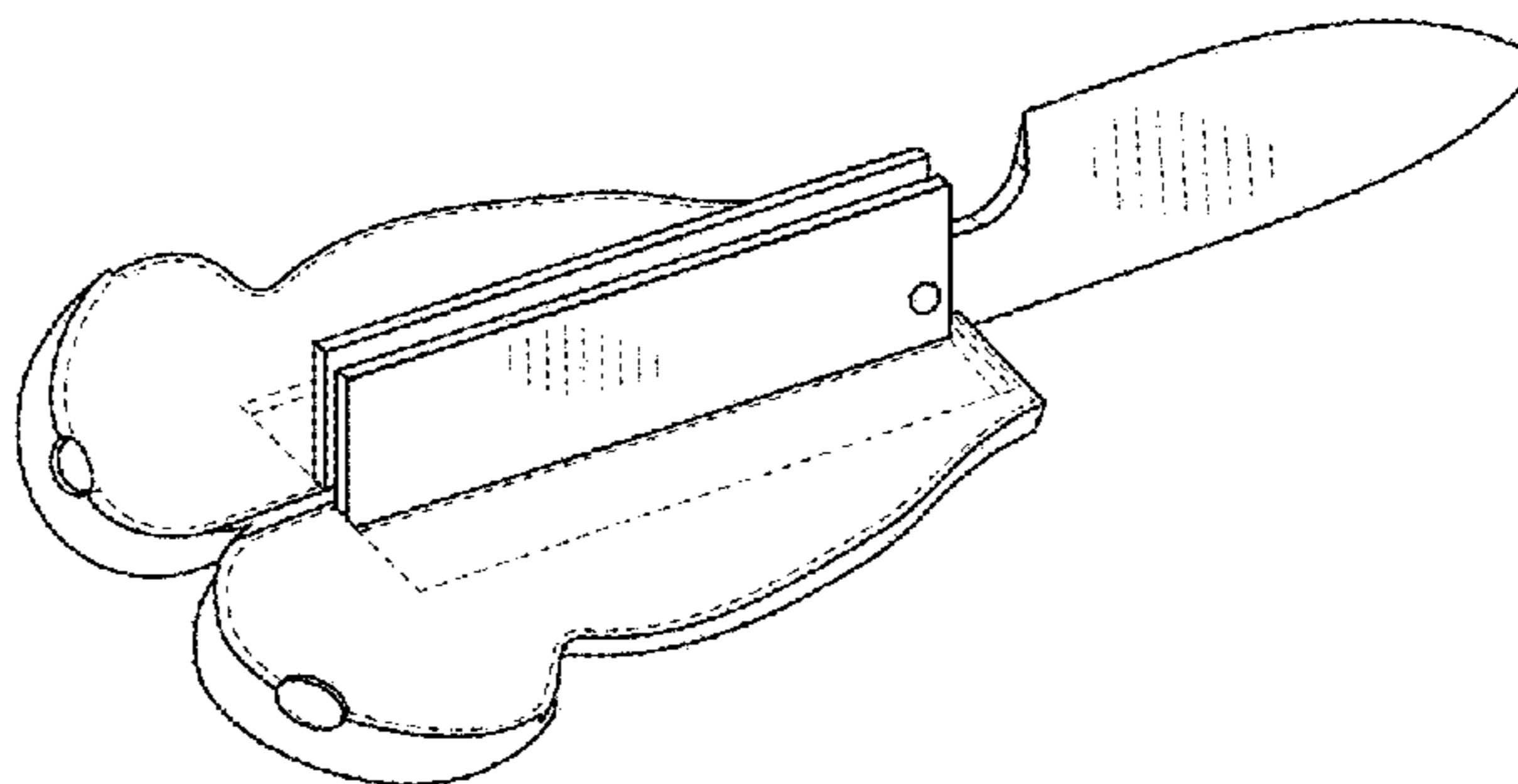
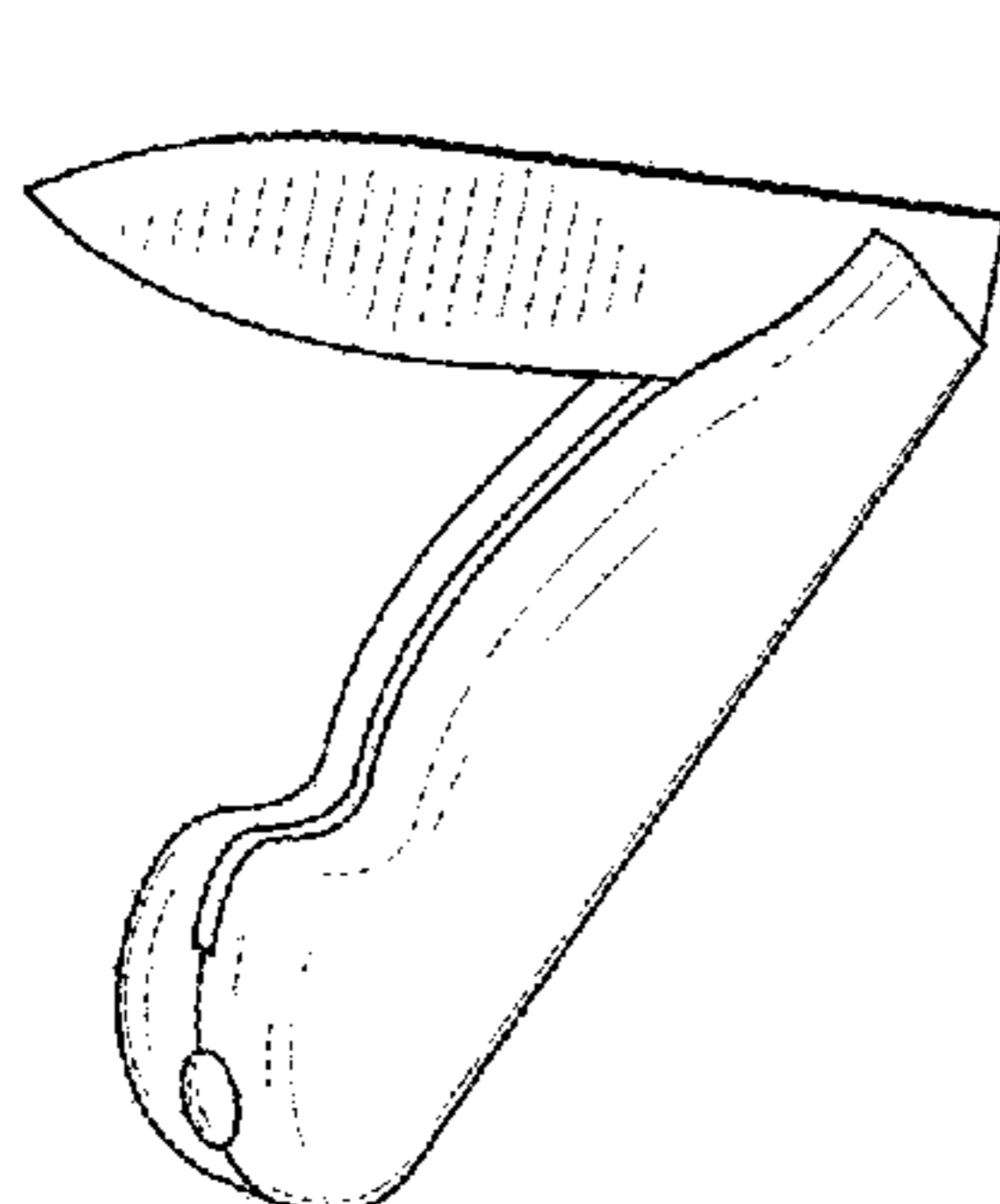
FIG. 6 is a front end view of a folding knife.

FIG. 7 is a back end of a folding knife; and,

FIG. 8 is an isometric view of the folding knife, with its handle in an open configuration.

The broken lines in the drawings have been shown for the purpose of illustrating an interior area and boundary along the outer edges of the handle, and form no part of the claimed design.

**1 Claim, 3 Drawing Sheets**



(56)

**References Cited**

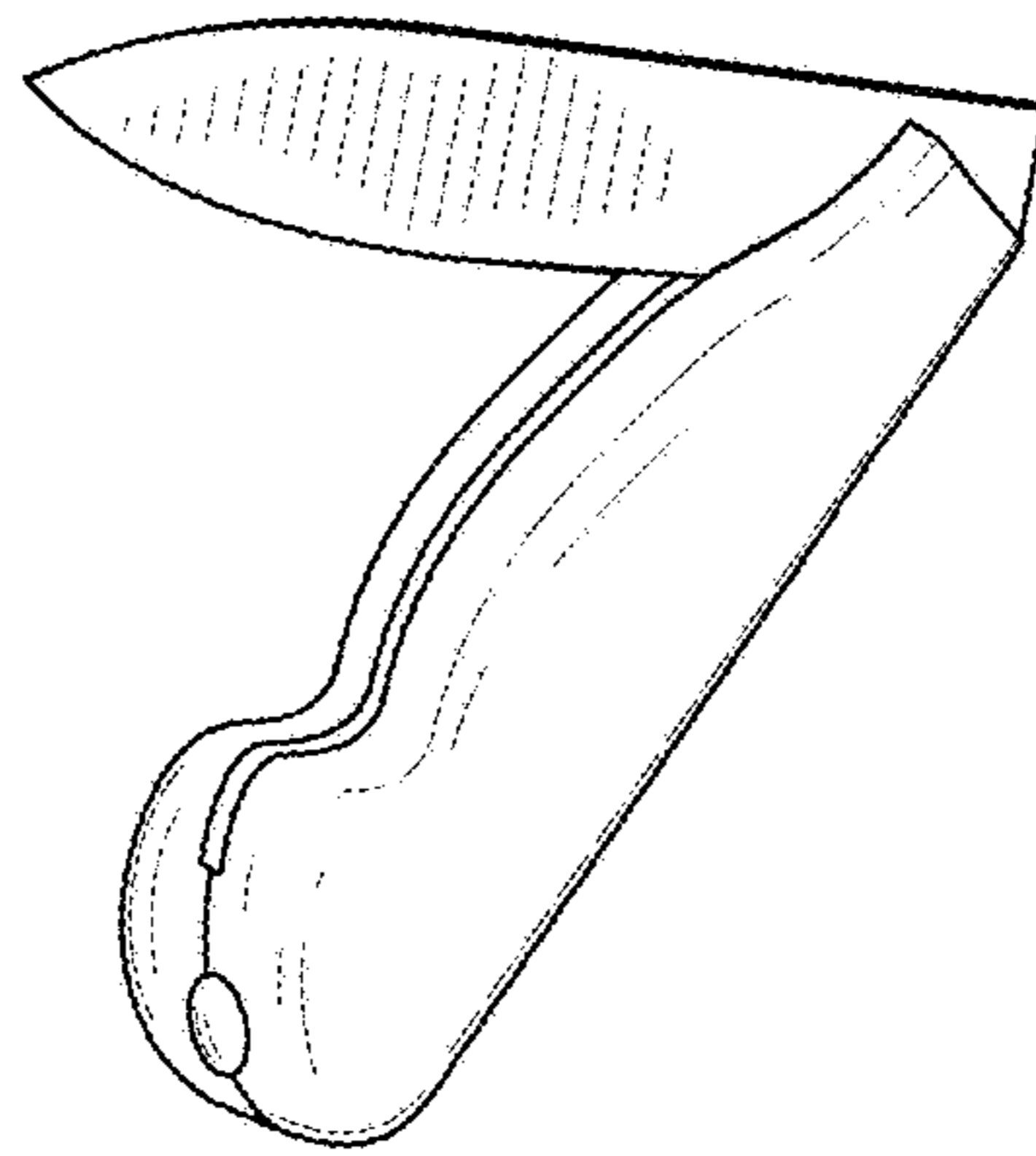
OTHER PUBLICATIONS

Maserin Gourmet Gentleman 380/EB, [http://www.maserin.com/en/product/31/gourmet\\_380.html](http://www.maserin.com/en/product/31/gourmet_380.html), Jun. 15, 2015.

Kershaw Folding Filet Knife, <http://kershaw.kaiusaltd.com/knives/knife/folding-fillet1>, Jun. 15, 2015.

Perceval Knives Le Grand Folding Knives, <http://www.perceval-knives.co.uk/folding-knife-le-grand.html>, Jun. 15, 2015.

Shun Gentlemen's Personal Steak Knife, <http://shun.kaiusaltd.com/knives/knife/higo-nokami-personal-steak-knife-gentlemans-knife>, Jun. 15, 2015.



*FIG. 1*

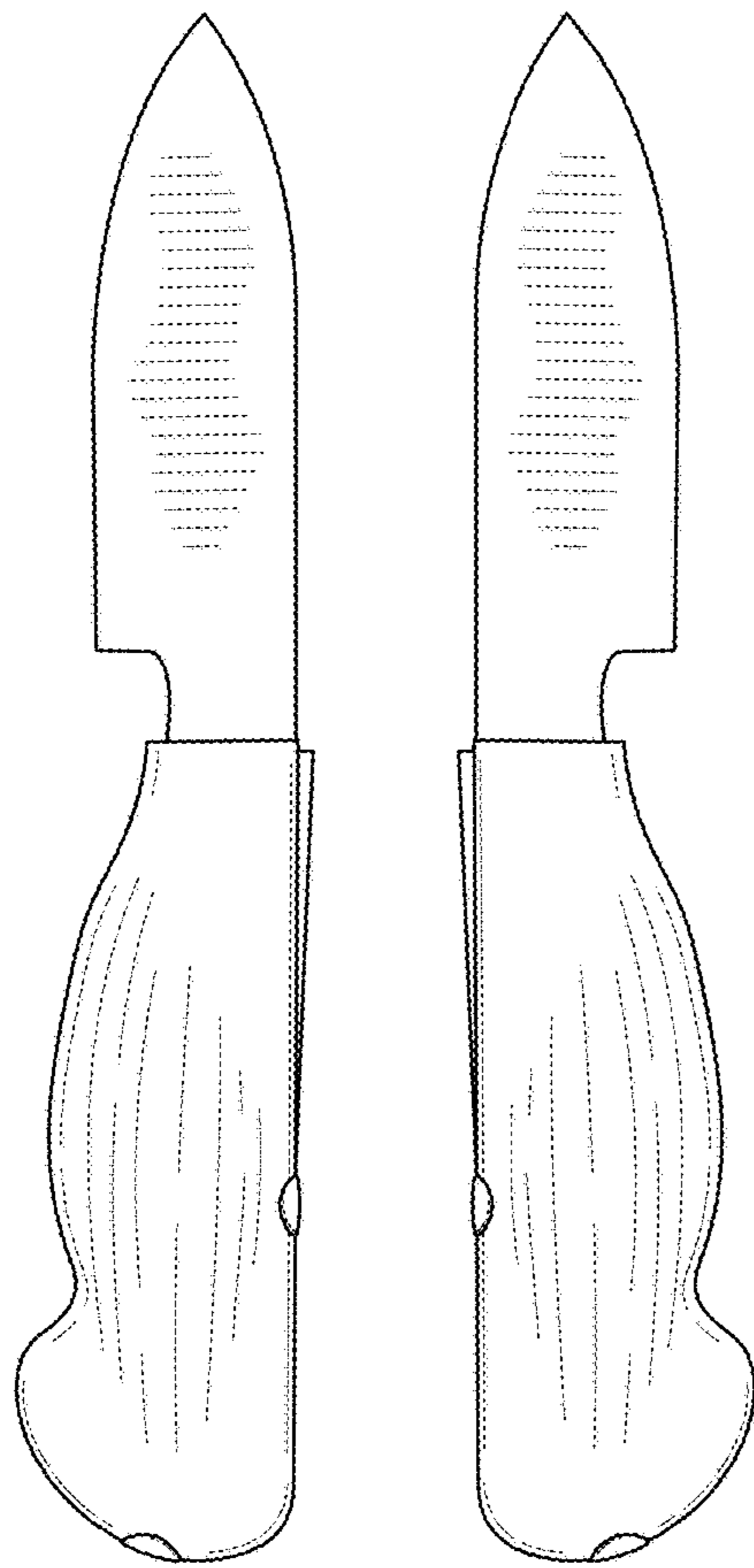


FIG. 2

FIG. 3

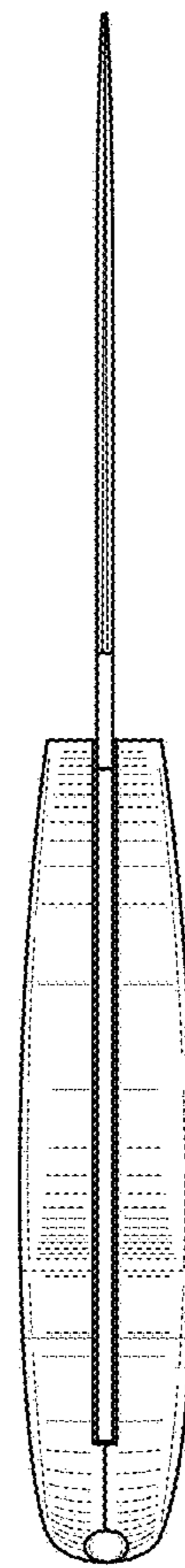


FIG. 4

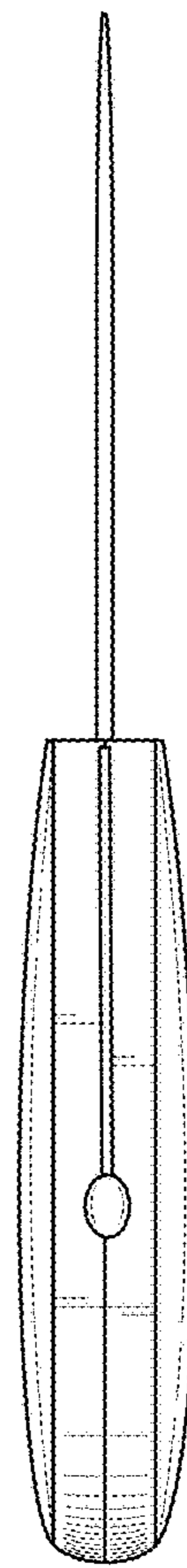


FIG. 5

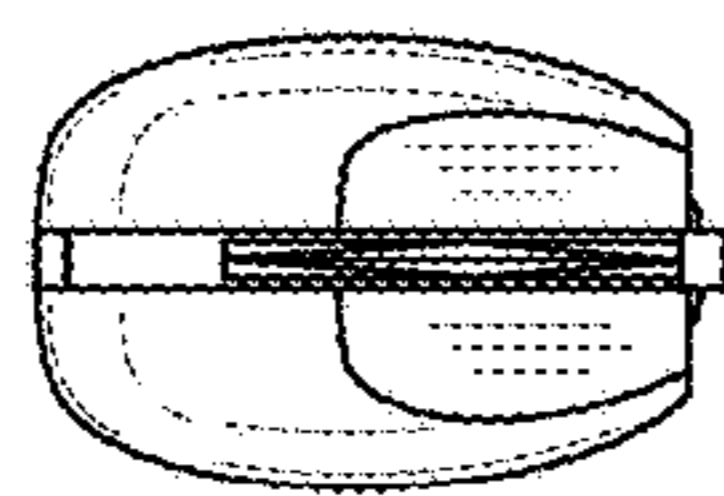


FIG. 6

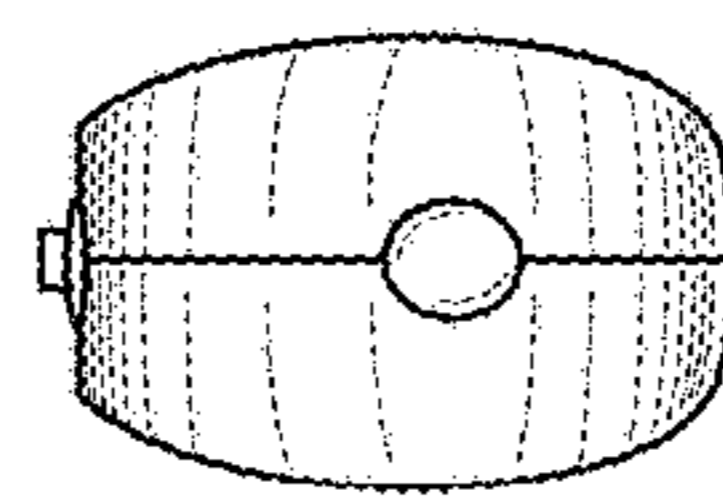
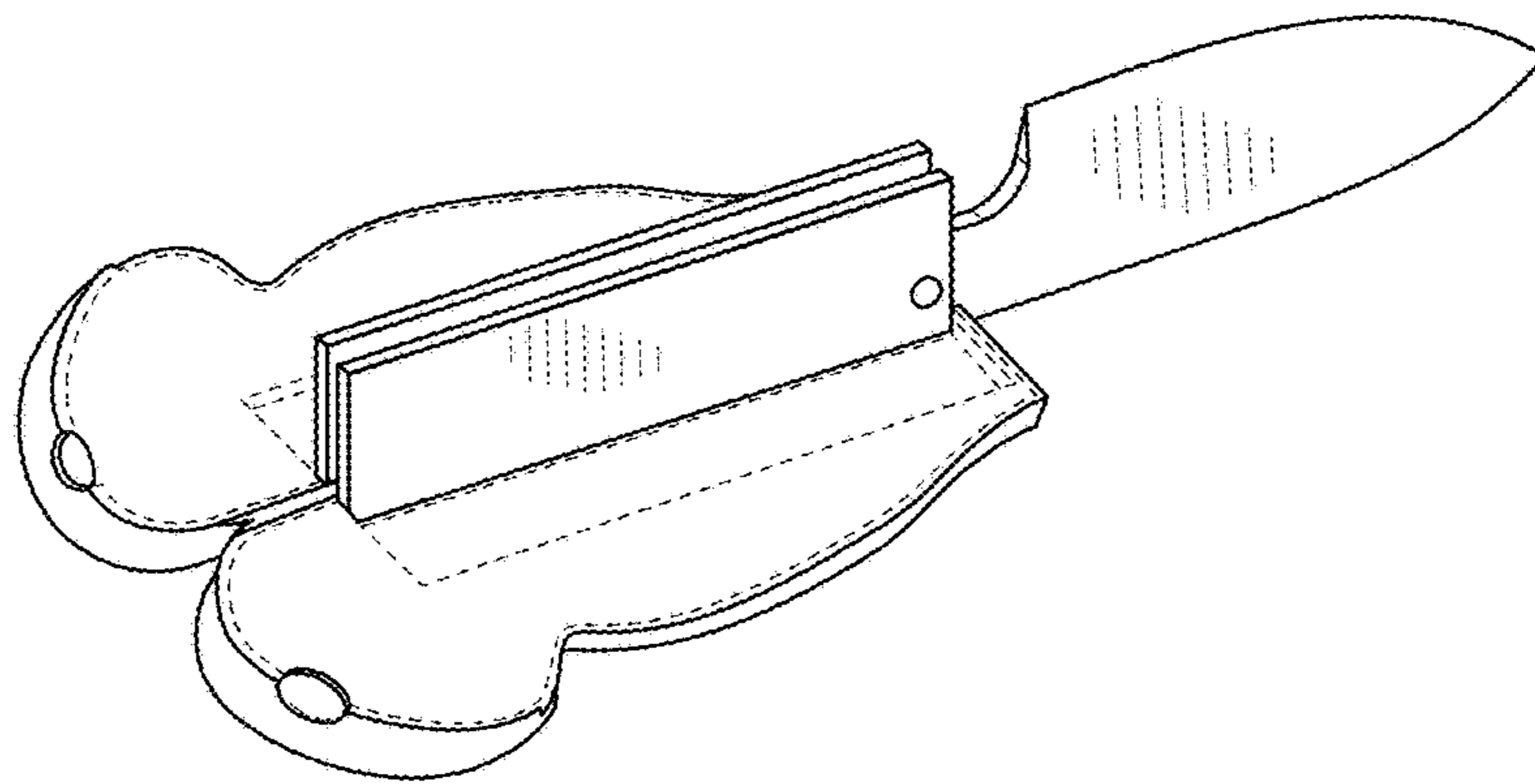


FIG. 7



*FIG. 8*