



US00D835964S

(12) **United States Design Patent** (10) **Patent No.:** **US D835,964 S**
Neubauer (45) **Date of Patent:** **** Dec. 18, 2018**

(54) **CLAMP**

(71) Applicant: **Geoffrey W. Neubauer**, Chicago, IL (US)

(72) Inventor: **Geoffrey W. Neubauer**, Chicago, IL (US)

(73) Assignee: **Nomis LLC**, Palatine, IL (US)

(**) Term: **15 Years**

(21) Appl. No.: **29/608,683**

(22) Filed: **Jun. 23, 2017**

(51) **LOC (11) Cl.** **08-05**

(52) **U.S. Cl.**
 USPC **D8/72**

(58) **Field of Classification Search**
 USPC D8/71-74, 394-399, 354, 355, 356, 59;
 248/62, 63, 72, 74.1, 689, 124.2; 81/487,
 81/385, 386, 388-390; 269/3, 4, 6, 143,
 269/165, 240, 243, 246-249, 254 R,
 269/147-149; 29/256, 257, 276;
 D15/140; D24/143; 408/103, 104-109;
 D7/683, 685, 686; D6/684
 CPC B25B 1/00; B25B 5/00; B25B 1/2478;
 B25B 1/103; B25B 1/22; B25B 1/2405;
 B25B 1/2457
 See application file for complete search history.

(56) **References Cited**

U.S. PATENT DOCUMENTS

2,289,597 A * 7/1942 Seat B25B 1/18
 269/157

3,096,975 A 7/1963 Irwin

3,312,461 A * 4/1967 Copron B25B 1/10
 269/101

3,357,697 A * 12/1967 Zanitsch B25B 1/103
 269/203

D234,118 S * 1/1975 Molitors D8/74

D255,643 S * 7/1980 Speiser D8/74

4,874,155 A 10/1989 Goul

5,094,131 A 3/1992 Sorensen et al.

5,222,420 A 6/1993 Sorensen et al.

D349,226 S * 8/1994 Ruyts 269/246

5,348,276 A 9/1994 Blacker

6,338,475 B1 1/2002 Ping

6,412,767 B1 7/2002 Beckmann et al.

D556,530 S * 12/2007 Workman D8/72

D694,085 S * 11/2013 Fukano D8/72

D720,977 S * 1/2015 Fukui D8/72

2010/0031487 A1 * 2/2010 Messina B23K 26/38
 29/26 A

2015/0165577 A1 * 6/2015 Fukano B25B 5/108
 269/165

2015/0283680 A1 * 10/2015 Ursell B25B 5/166
 269/149

2016/0016267 A1 * 1/2016 Beatty B23K 37/0538
 29/559

* cited by examiner

Primary Examiner — David Muller
Assistant Examiner — Nathan Johnston
 (74) *Attorney, Agent, or Firm* — Reinhart Boerner Van
 Deuren P.C.

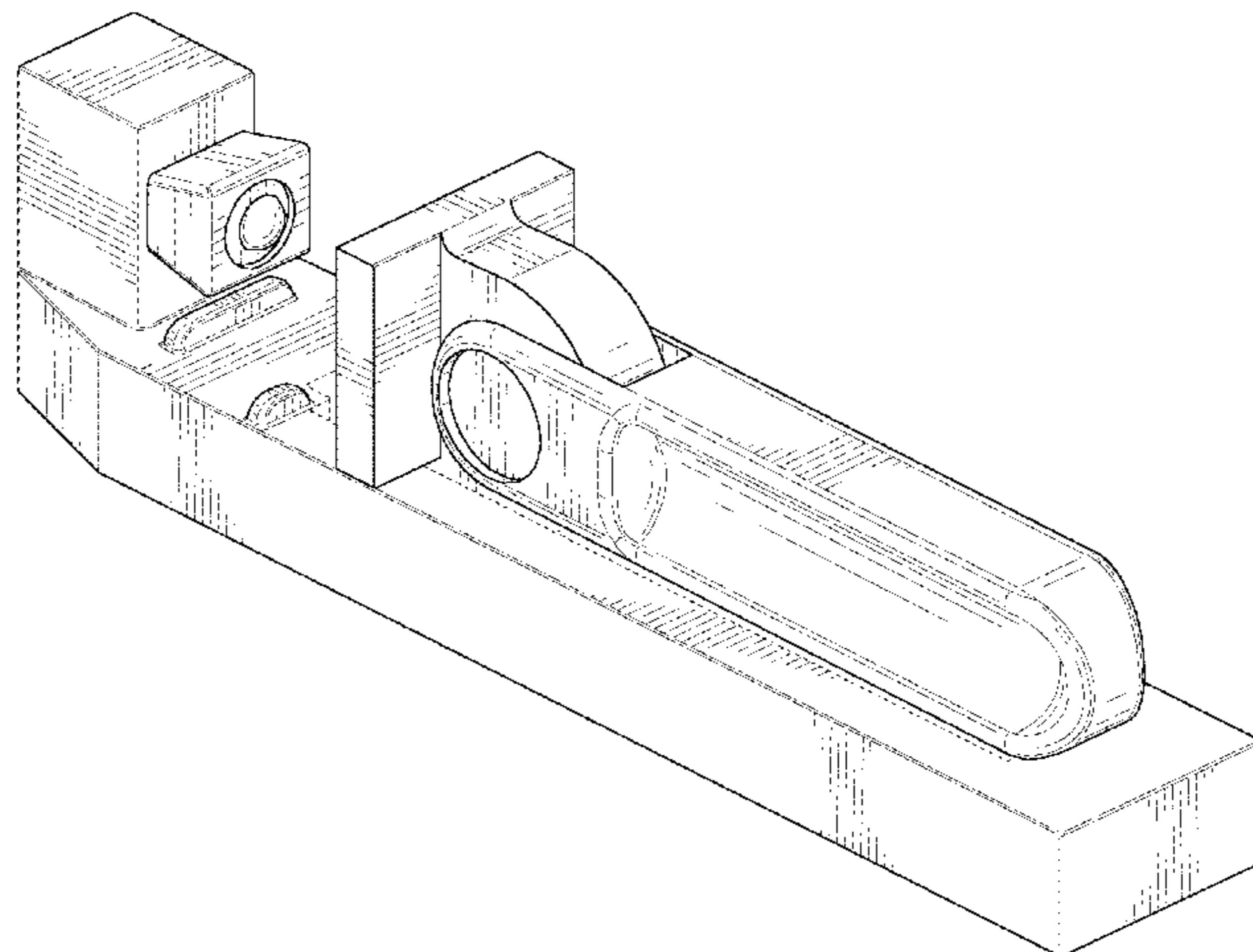
(57) **CLAIM**

I claim the ornamental design for the clamp, as shown and described.

DESCRIPTION

FIG. 1 is a front perspective view of the clamp;
 FIG. 2 is another front perspective view thereof;
 FIG. 3 is a side elevation view thereof;
 FIG. 4 is a side elevation view thereof showing the side
 opposite that is shown in FIG. 3;
 FIG. 5 is a rear elevation view thereof;
 FIG. 6 is a front elevation view thereof;
 FIG. 7 is a top plan view thereof;
 FIG. 8 is a bottom plan view thereof; and,
 FIG. 9 is a rear perspective view thereof.
 The broken lines form no part of the claimed design.

1 Claim, 9 Drawing Sheets



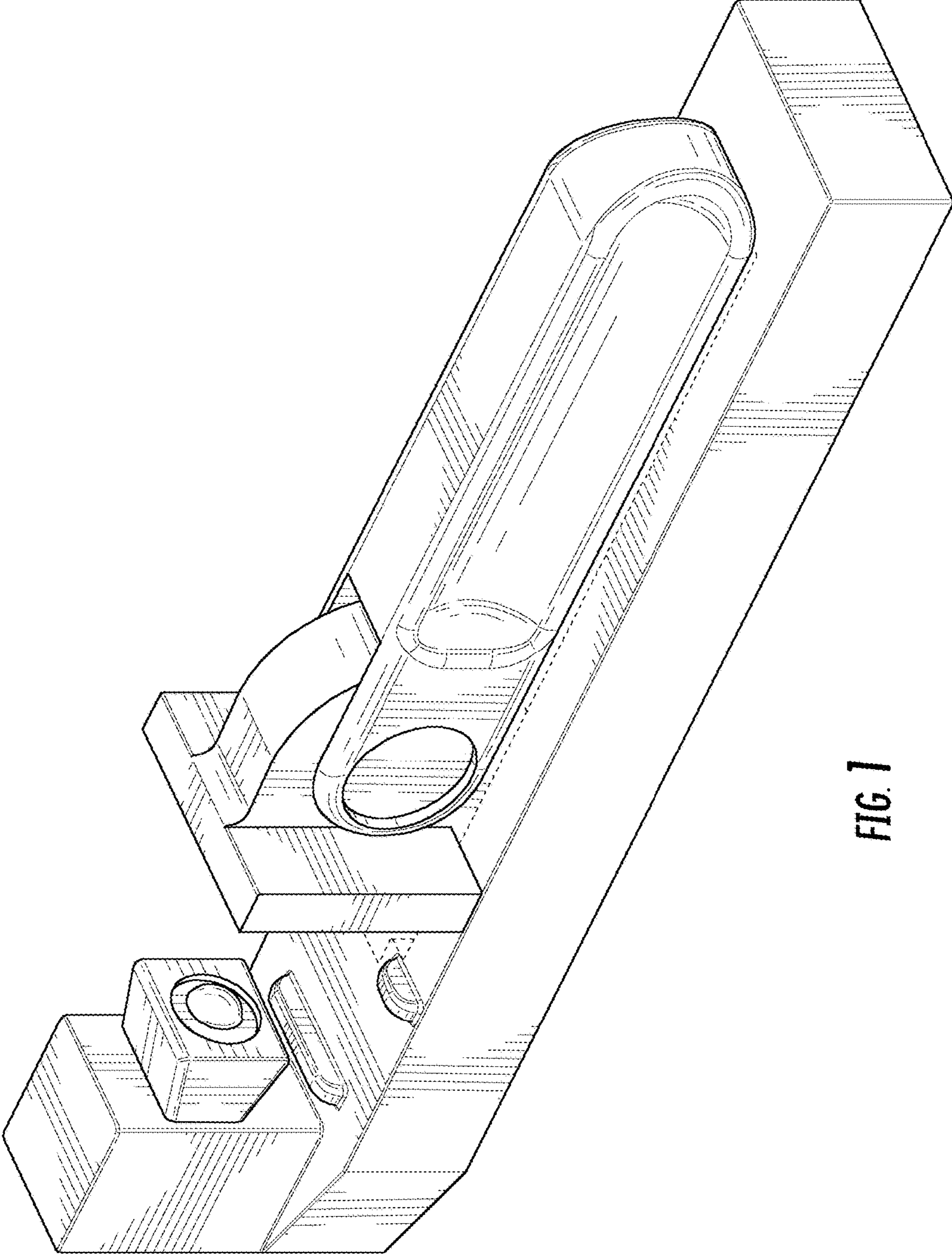


FIG. 1

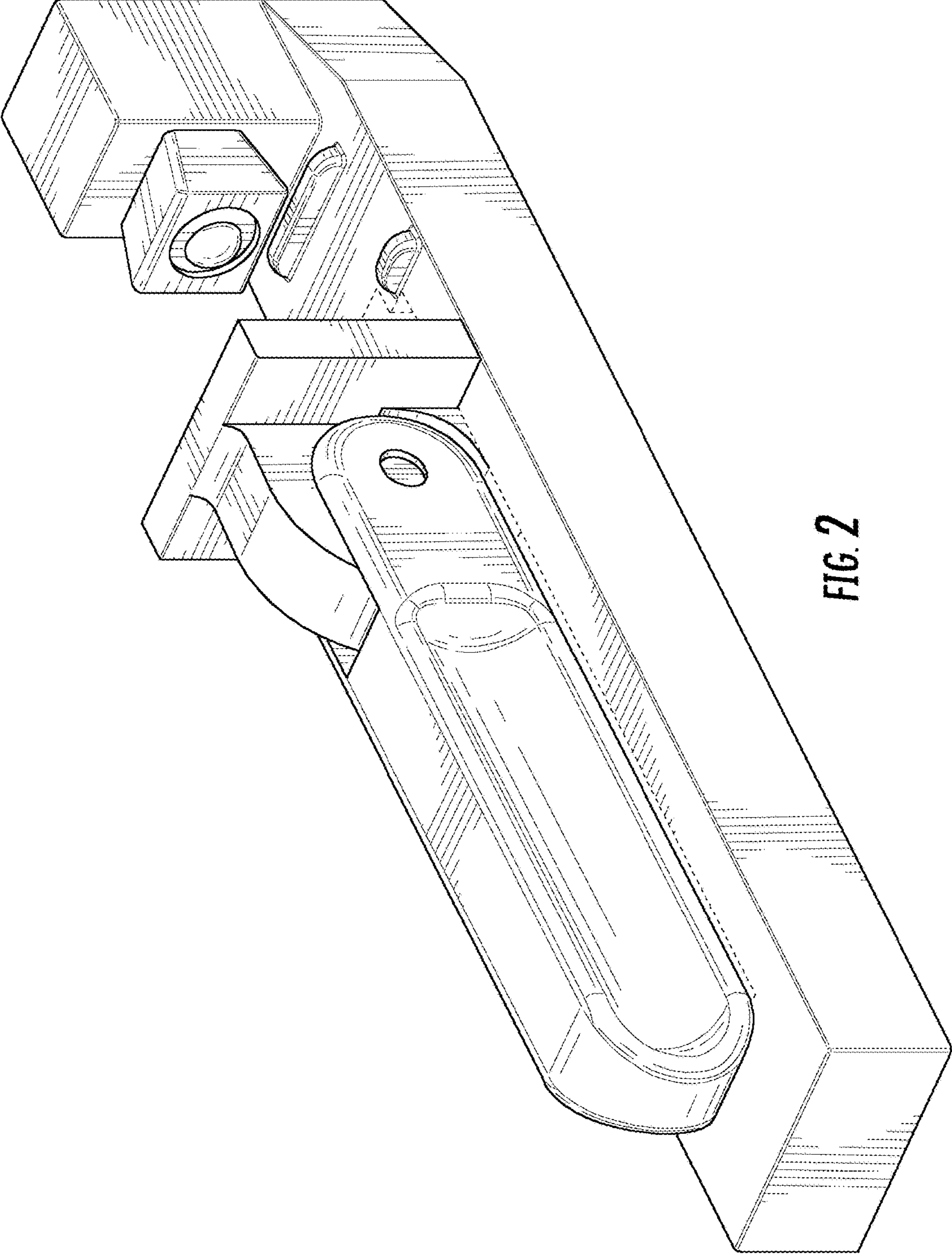


FIG. 2

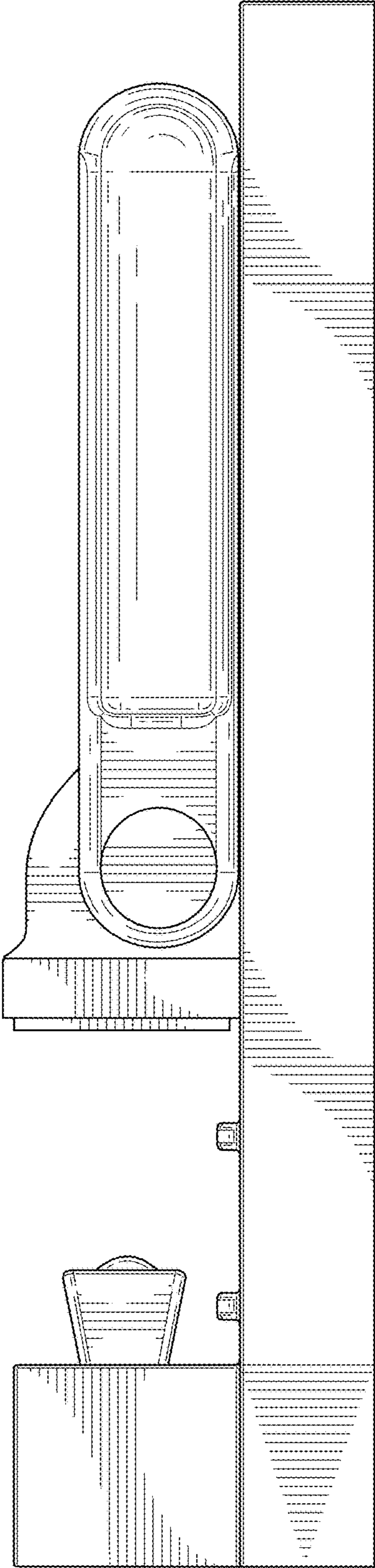


FIG. 3

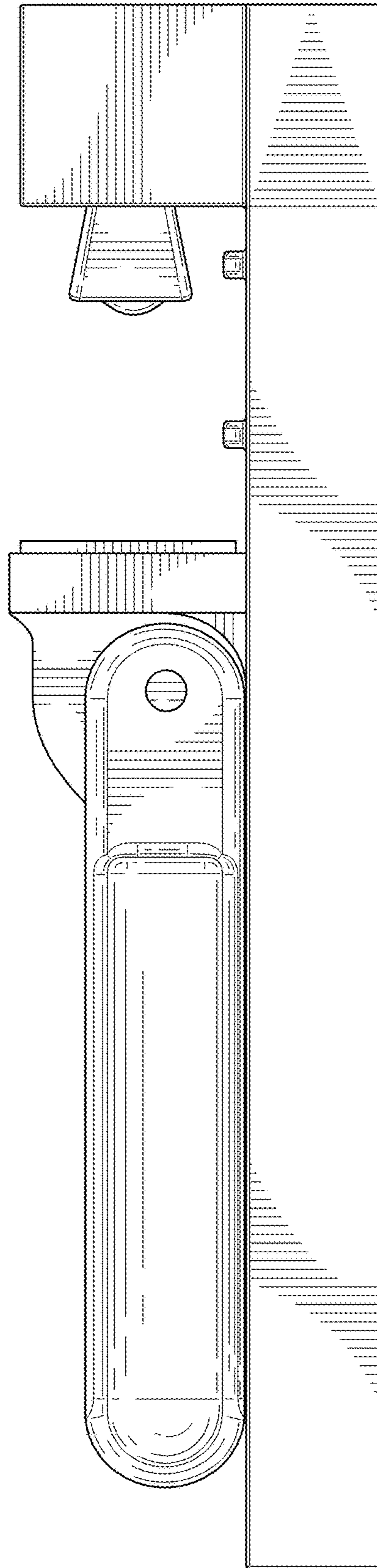


FIG. 4

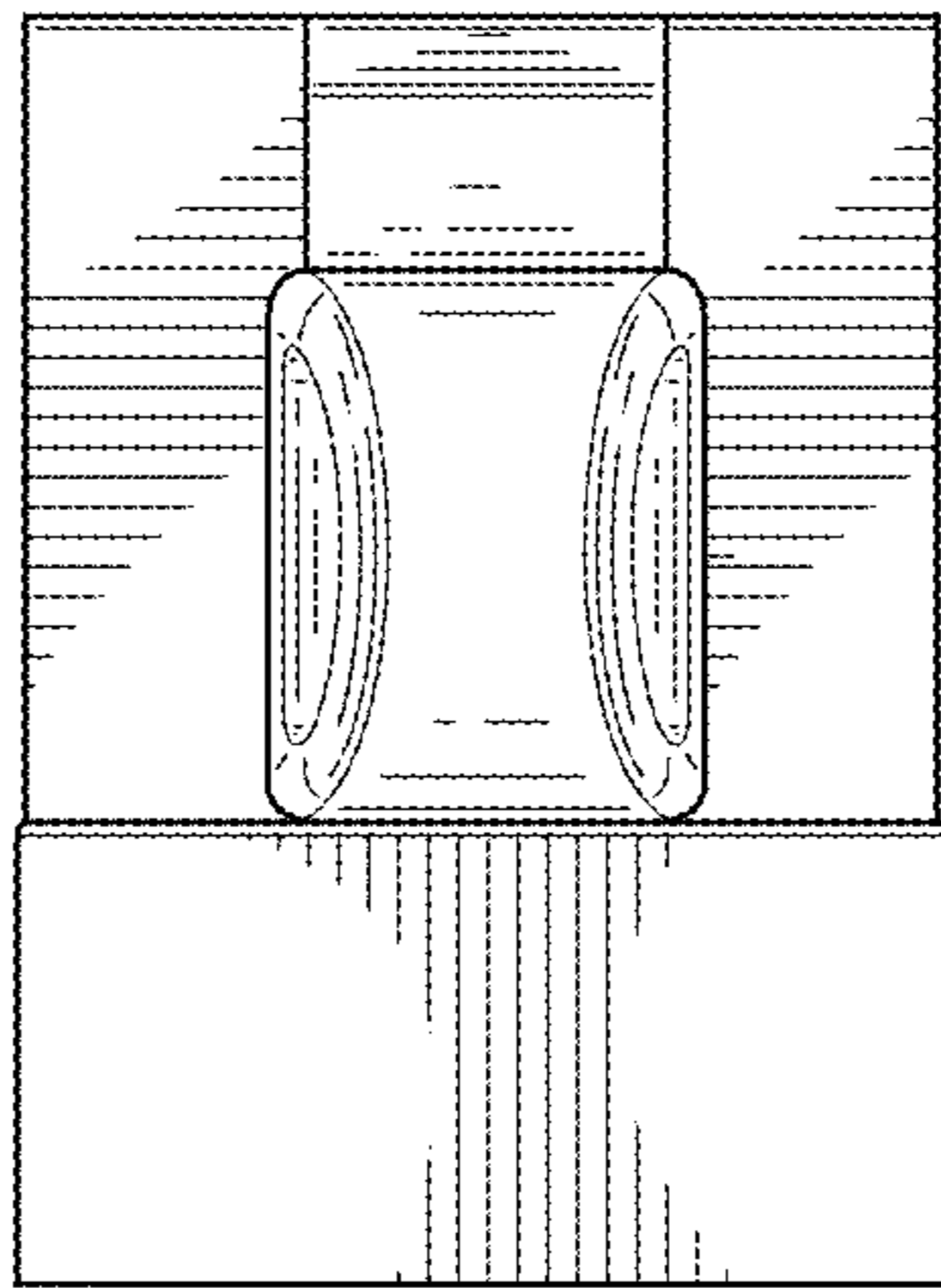


FIG. 5

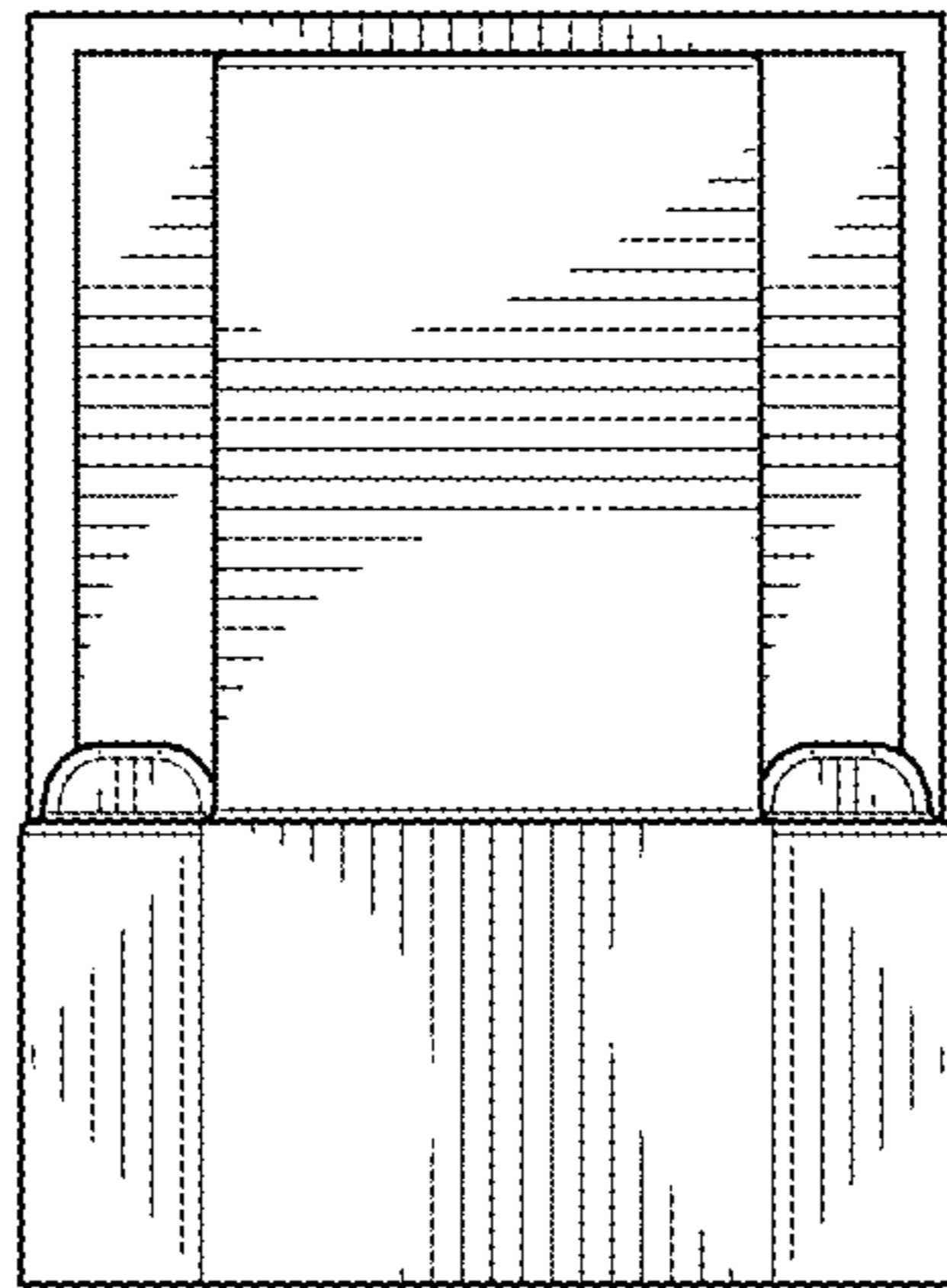


FIG. 6

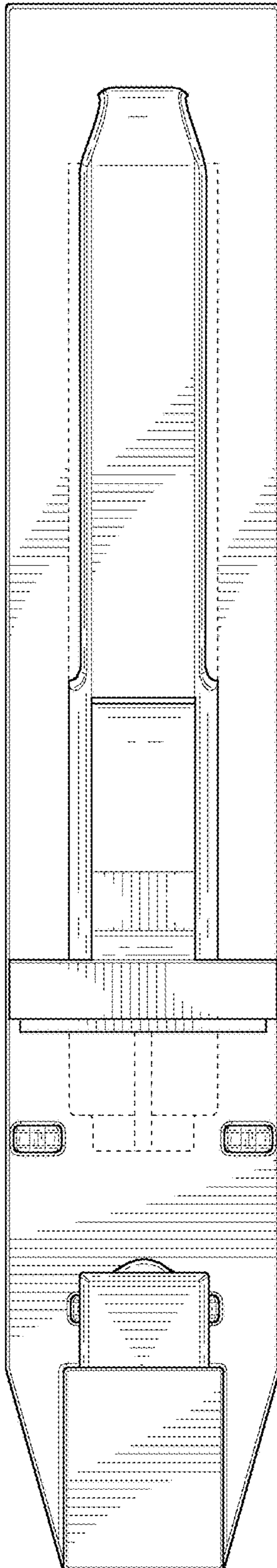


FIG. 7

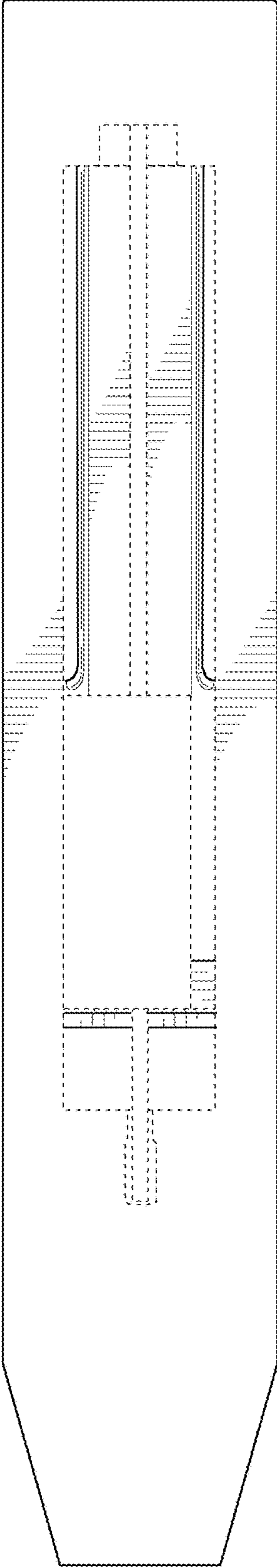


FIG. 8

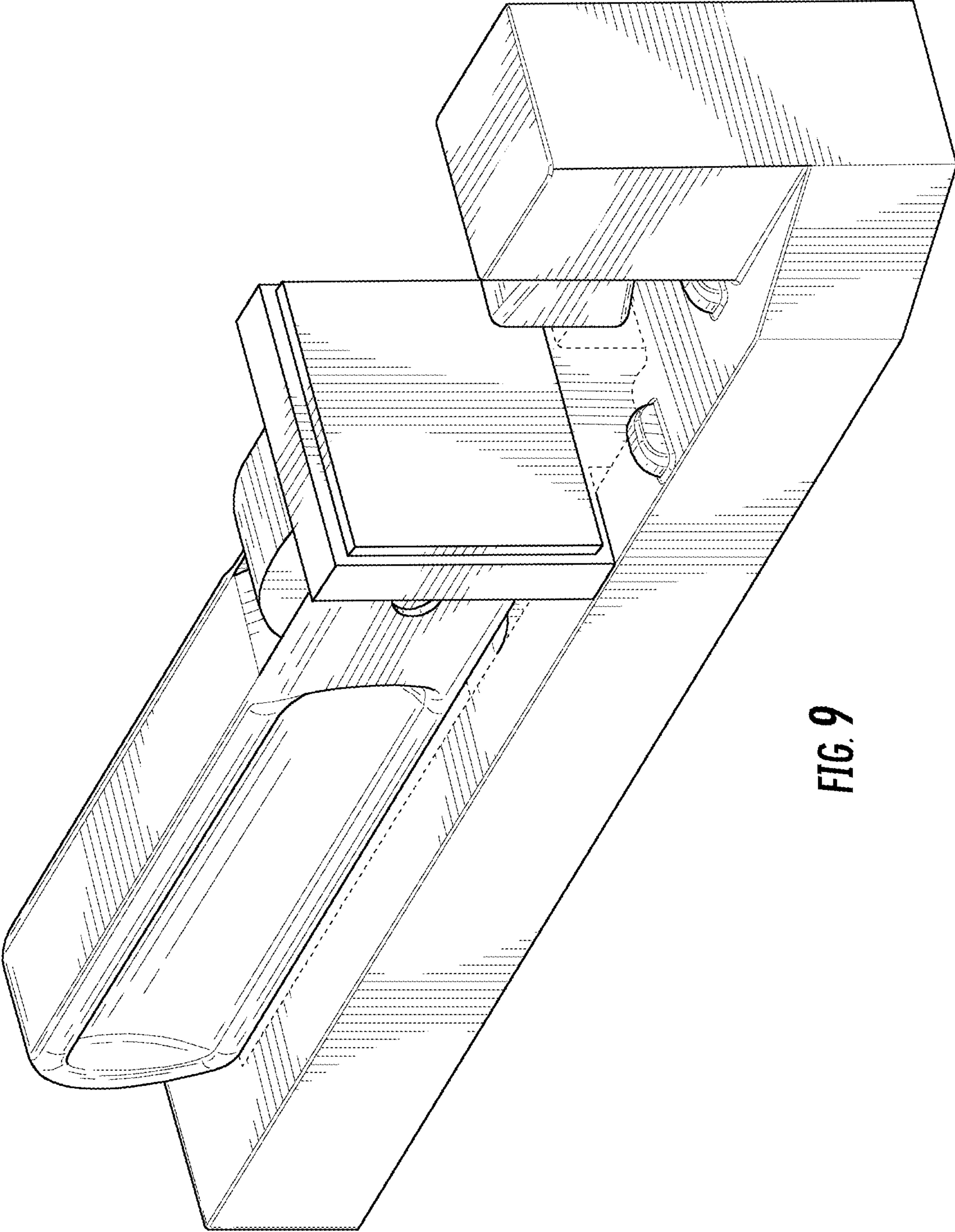


FIG. 9