



US00D835963S

(12) **United States Design Patent** (10) **Patent No.:** **US D835,963 S**  
**Barezzani et al.** (45) **Date of Patent:** **\*\* Dec. 18, 2018**

(54) **CRIMPING TOOL** 7,363,799 B2 \* 4/2008 Hamm ..... B25B 25/005  
72/452.8  
(71) Applicant: **Cembre S.p.A.**, Brescia (IT) D593,828 S \* 6/2009 Pond ..... D8/61  
7,578,159 B2 \* 8/2009 Bowles ..... B21D 39/048  
72/409.01  
(72) Inventors: **Gualtiero Barezzani**, Brescia (IT); 7,634,859 B2 \* 12/2009 Amherd ..... B23D 23/00  
**Samuel Veglianti**, Brescia (IT); 30/228  
**Michele Orizio**, Brescia (IT)

(Continued)

(73) Assignee: **CEMBRE S.p.A.**, Brescia (IT)

*Primary Examiner* — Darlington Ly

(\*\*) Term: **15 Years**

(74) *Attorney, Agent, or Firm* — Thomas | Horstemeyer, LLP

(21) Appl. No.: **29/607,884**

(57) **CLAIM**

(22) Filed: **Jun. 16, 2017**

The ornamental design for a crimping tool, as shown and described.

(30) **Foreign Application Priority Data**

**DESCRIPTION**

Dec. 16, 2016 (EM) ..... 003521939

(51) **LOC (11) Cl.** ..... **08-05**

(52) **U.S. Cl.**  
USPC ..... **D8/68; D8/61**

(58) **Field of Classification Search**  
USPC ..... D8/7, 21, 24, 25, 29, 36, 40, 60, 61, 68,  
D8/70, 85; D21/532

CPC ..... B25B 27/10; B25B 27/026; B25B 27/146;  
B21D 37/10; B21D 39/048; B23D 29/00

See application file for complete search history.

(56) **References Cited**

**U.S. PATENT DOCUMENTS**

3,386,298 A \* 6/1968 Klingler ..... B30B 15/00  
173/170  
3,492,854 A \* 2/1970 Eppler ..... H01R 43/042  
140/113  
D356,478 S \* 3/1995 Heskey ..... D8/61  
D387,961 S \* 12/1997 Yasui ..... D8/68  
D404,627 S \* 1/1999 Hirabayashi ..... D8/68  
D408,242 S \* 4/1999 Yamamoto ..... D8/61  
6,718,870 B1 \* 4/2004 Frenken ..... B25B 27/10  
100/102

FIG. 1 is a right side elevation view of a crimping tool showing our new design in accordance to a first embodiment;

FIG. 2 is a left side elevation view thereof;

FIG. 3 is a front elevation view thereof;

FIG. 4 is a rear elevation view thereof;

FIG. 5 is a top plan view thereof;

FIG. 6 is a bottom plan view thereof; and

FIG. 7 is a top, front, and right side perspective view thereof.

FIG. 8 is a right side elevation view of a crimping tool showing our new design in accordance to a second embodiment;

FIG. 9 is a left side elevation view thereof;

FIG. 10 is a front elevation view thereof;

FIG. 11 is a rear elevation view thereof;

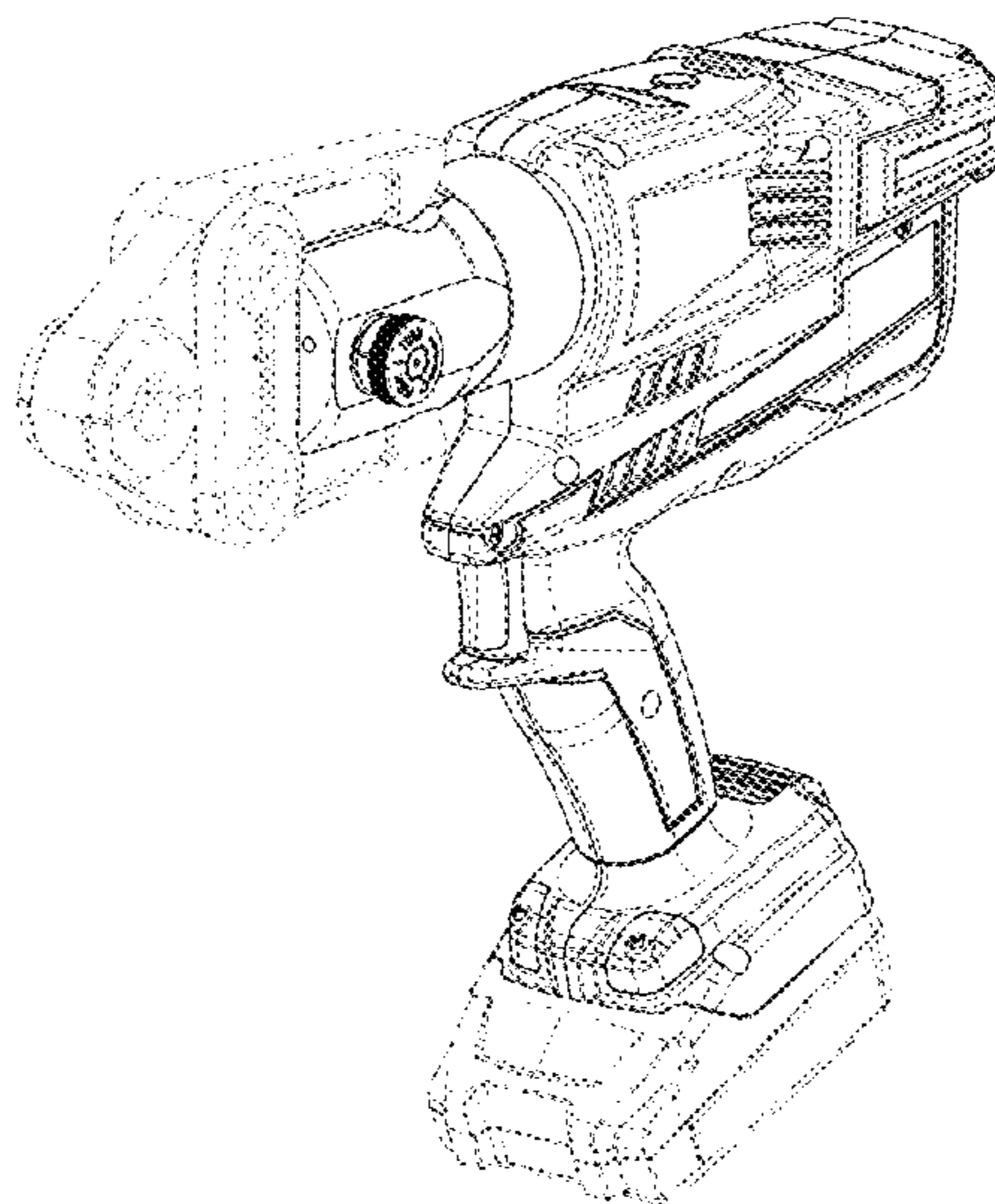
FIG. 12 is a top plan view thereof;

FIG. 13 is a bottom plan view thereof; and,

FIG. 14 is a top, front, and right side perspective view thereof.

The broken lines in the drawings illustrate portions of the crimping tool that form no part of the claimed design.

**1 Claim, 14 Drawing Sheets**



(56)

**References Cited**

U.S. PATENT DOCUMENTS

7,908,963 B2 \* 3/2011 Frenken ..... B25B 27/10  
100/269.01  
8,056,473 B2 \* 11/2011 Frenken ..... B21D 39/048  
100/35  
D668,922 S \* 10/2012 Hyma ..... D8/61  
8,316,685 B2 \* 11/2012 Stucki ..... B25B 27/10  
72/407  
8,342,001 B2 \* 1/2013 Zhang ..... B23D 29/00  
29/751  
D709,748 S \* 7/2014 Frenken ..... D8/61  
D710,173 S \* 8/2014 Frenken ..... D8/61  
8,997,543 B2 \* 4/2015 Therrien ..... B21D 37/10  
175/423  
D767,959 S \* 10/2016 Sokat ..... D8/61  
D767,960 S \* 10/2016 Haneishi ..... D8/61  
9,484,700 B2 \* 11/2016 Kehoe ..... H01R 43/0427  
D774,858 S \* 12/2016 Stucki ..... D8/61  
D805,365 S \* 12/2017 Ballard ..... D8/69  
2008/0289394 A1 \* 11/2008 Mitchell ..... B21D 39/048  
72/409.1  
2009/0313820 A1 \* 12/2009 Roman, Jr. .... B25B 27/10  
29/863

\* cited by examiner

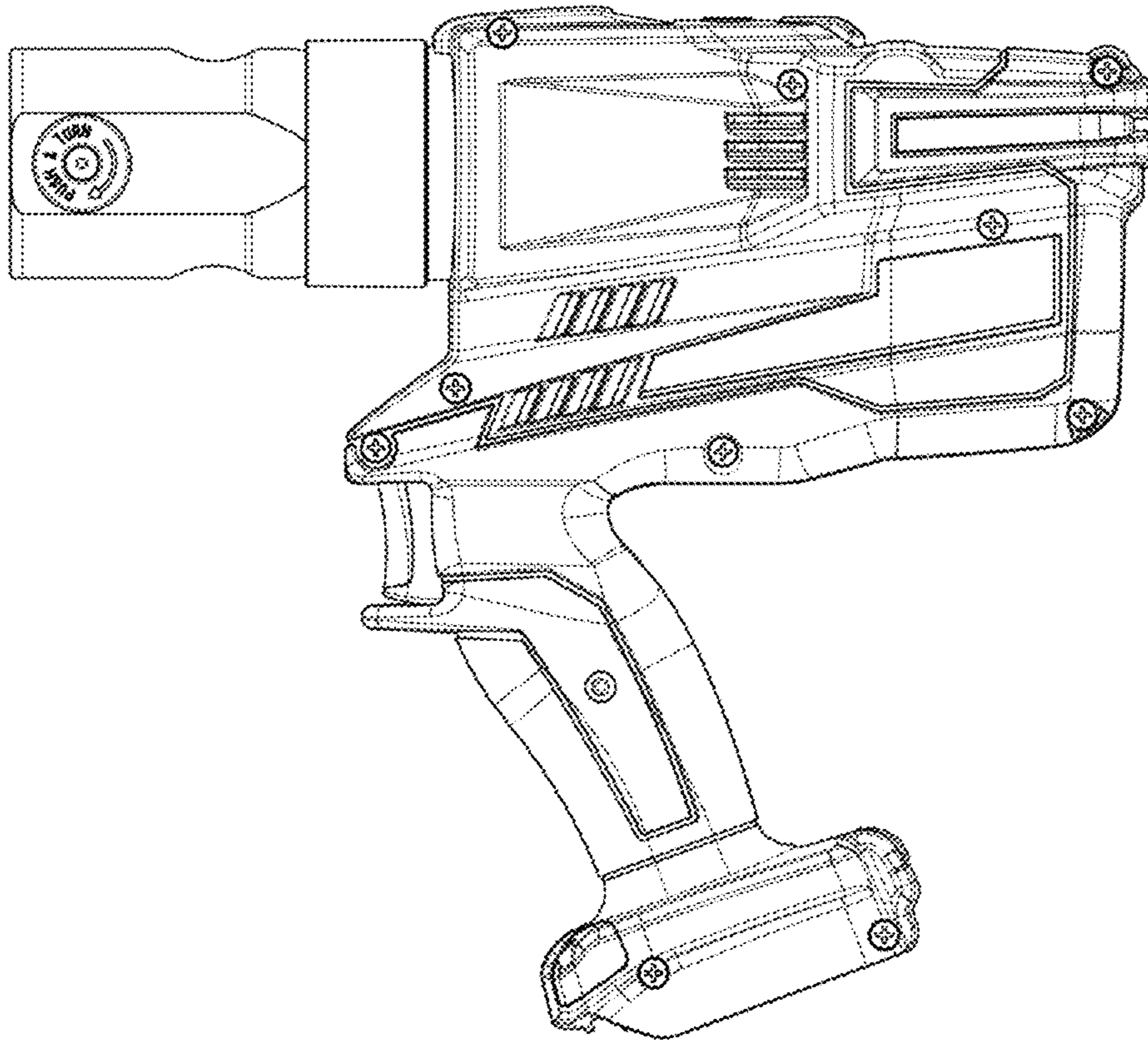


FIG. 1

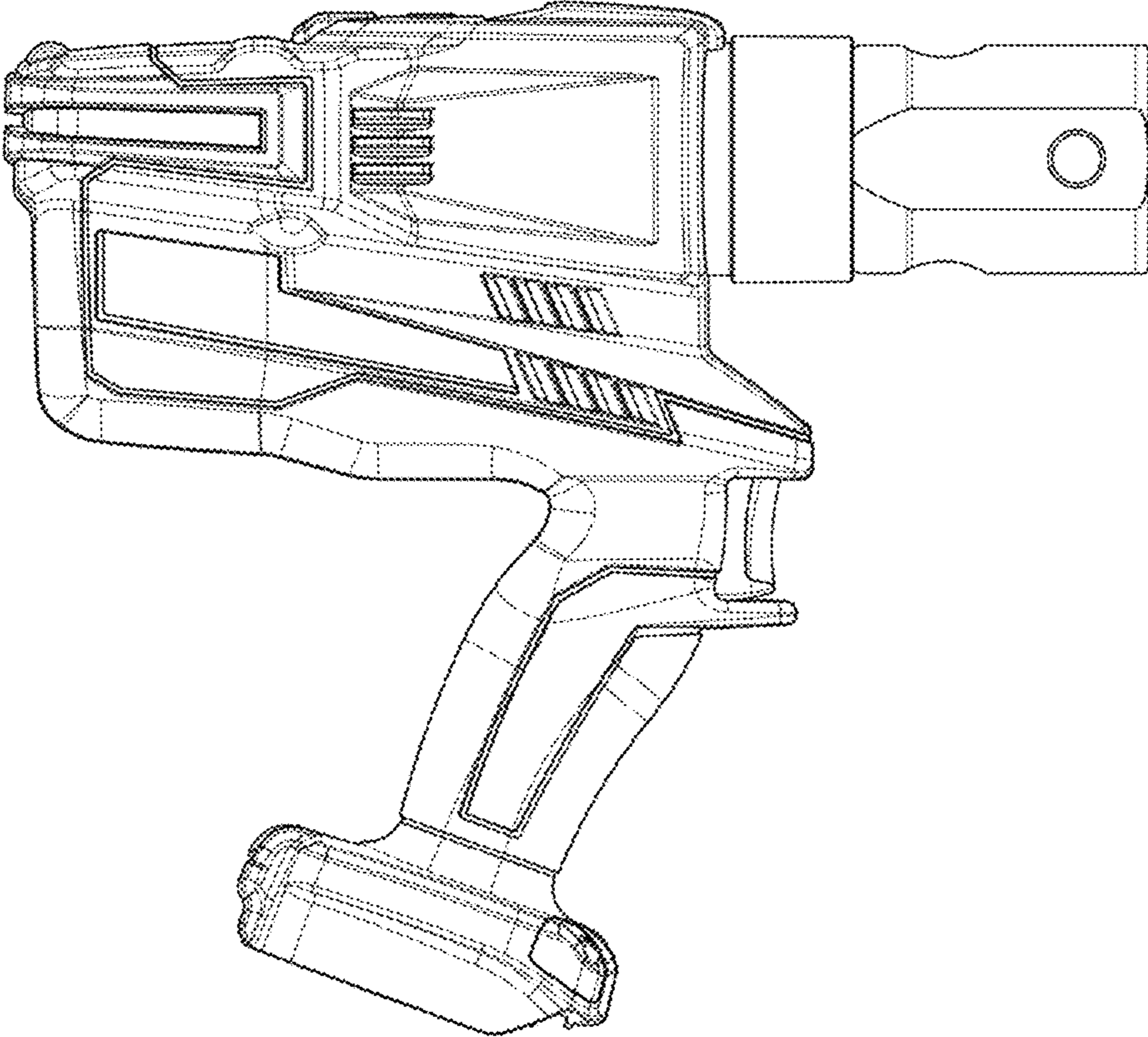


FIG. 2

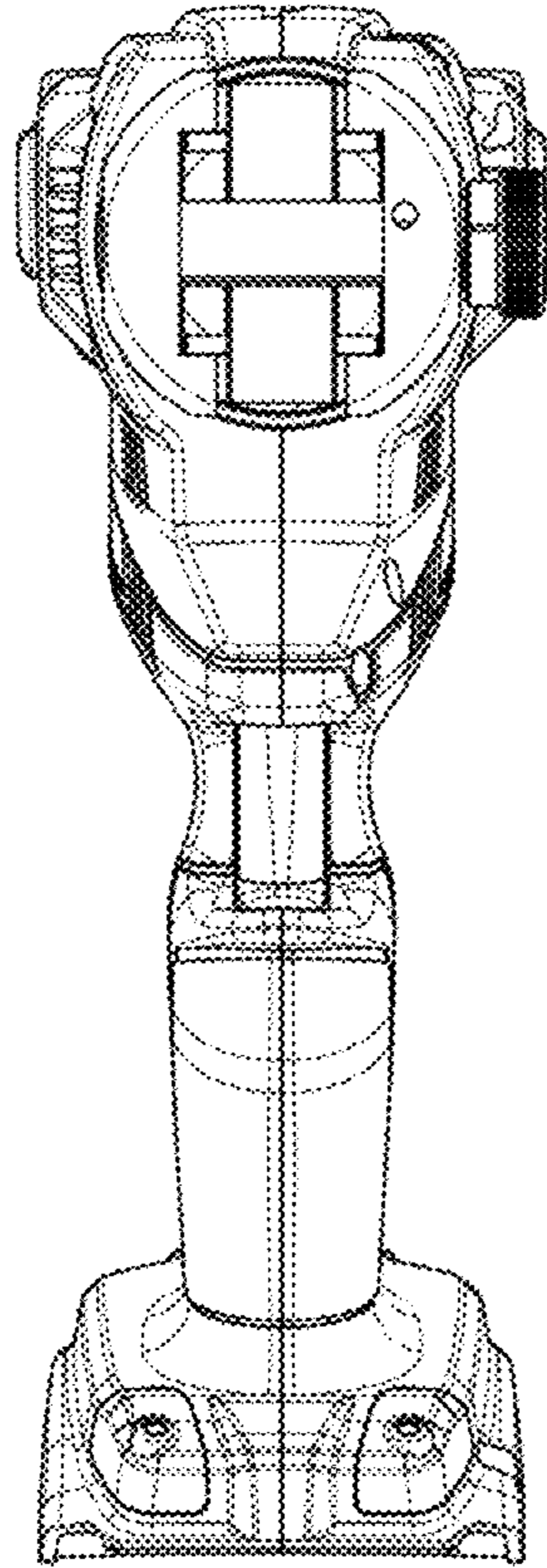


FIG. 3

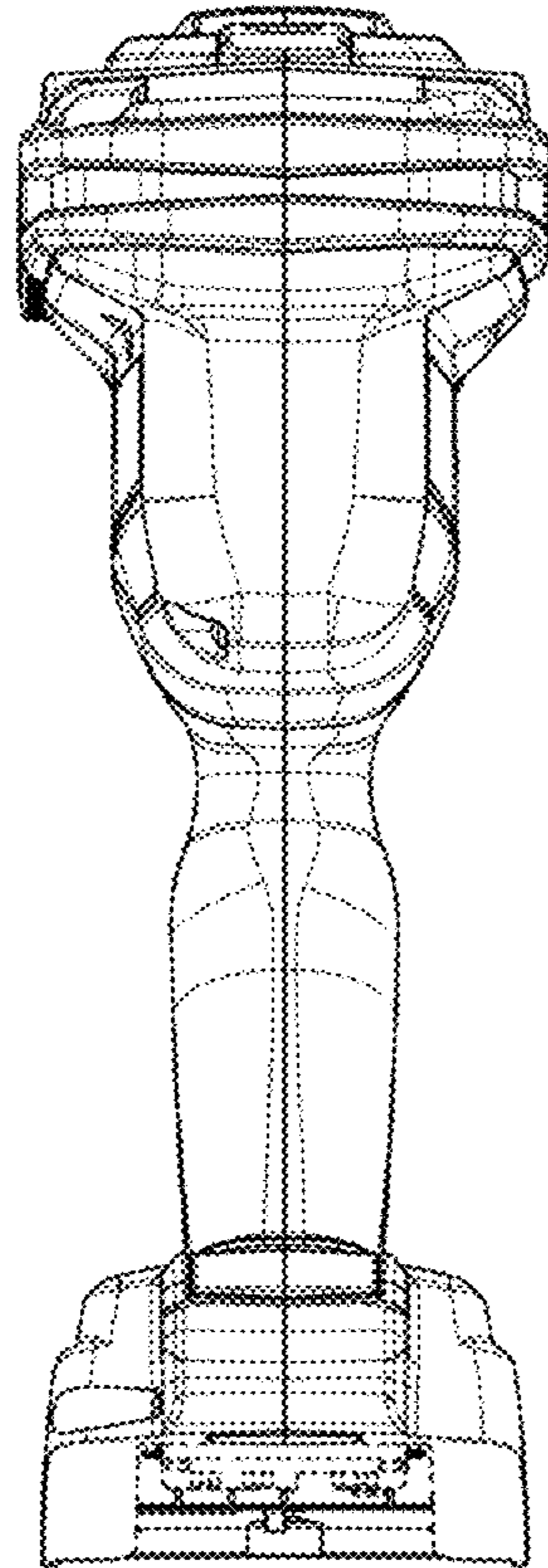


FIG. 4

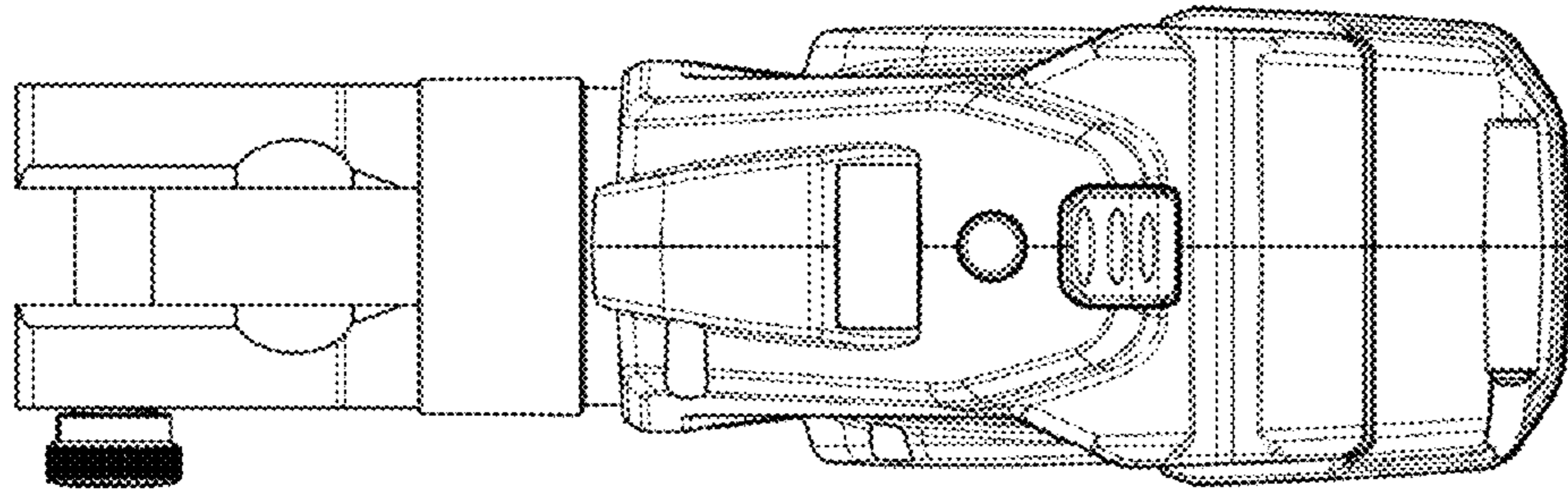


FIG. 5

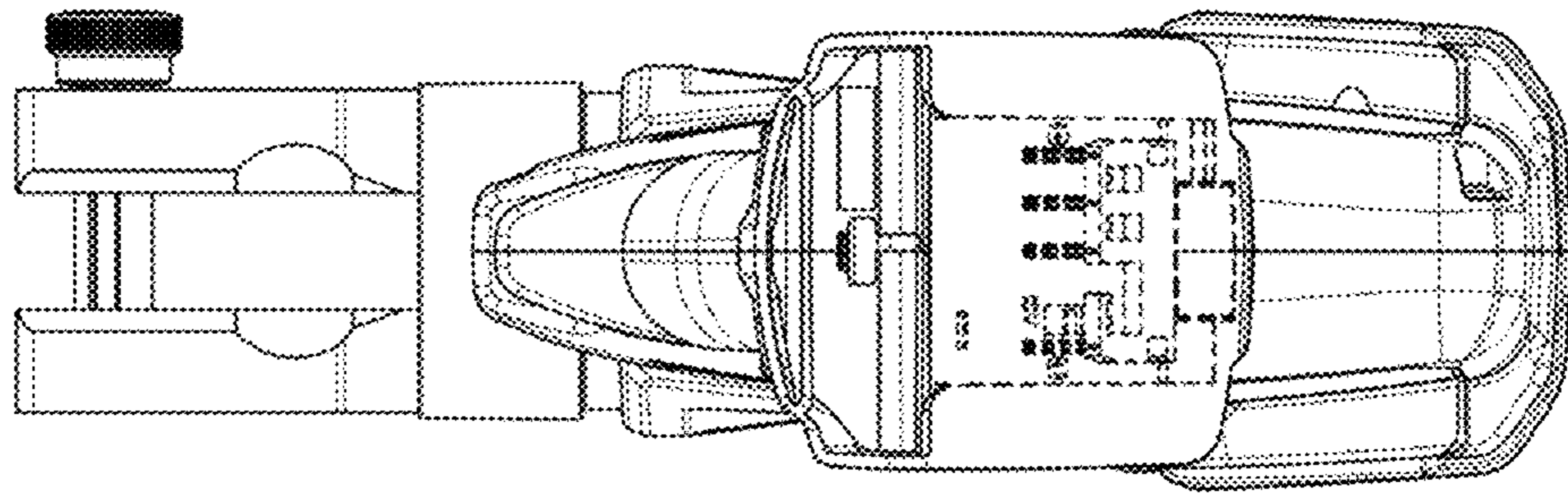


FIG. 6



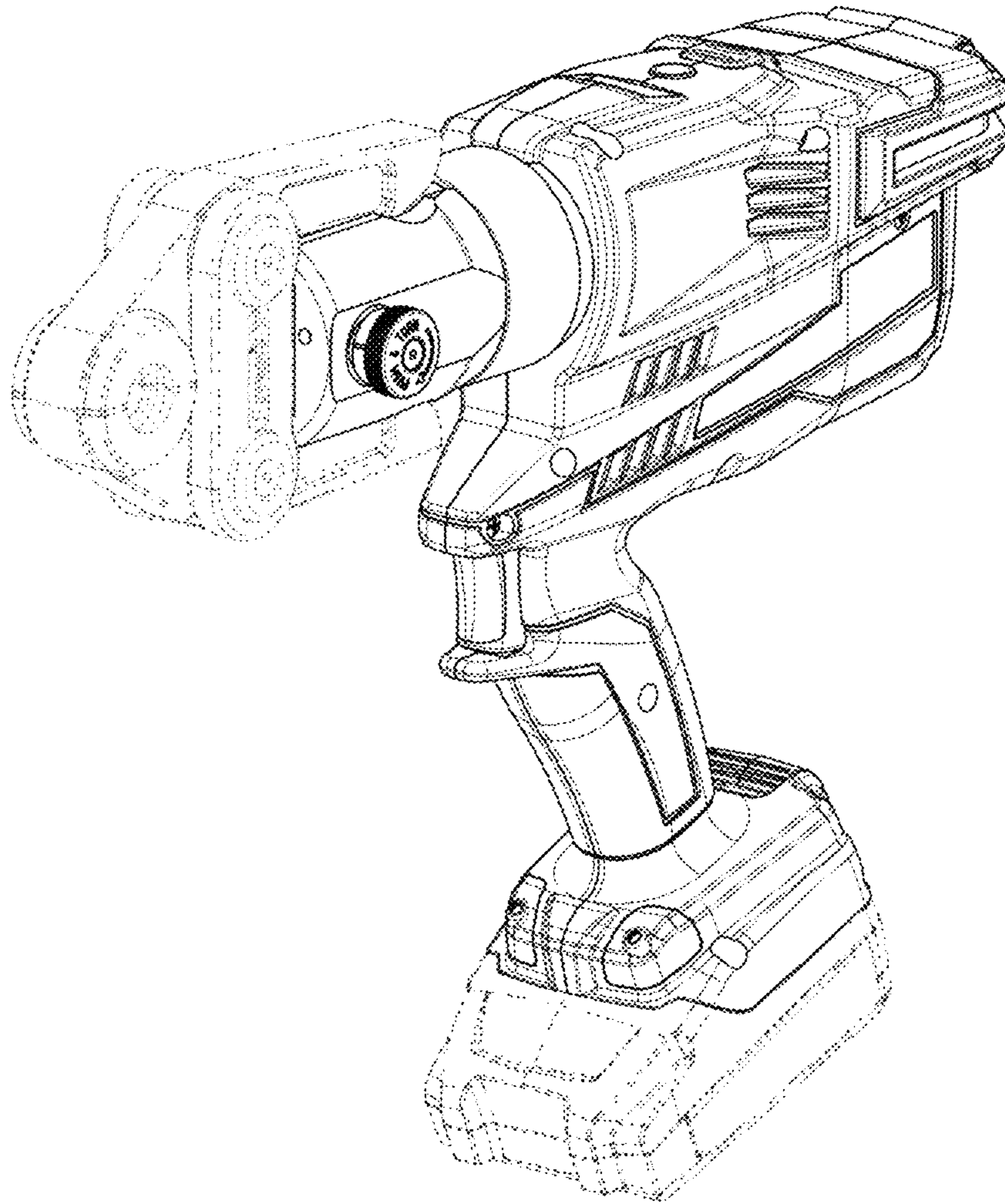


FIG. 7

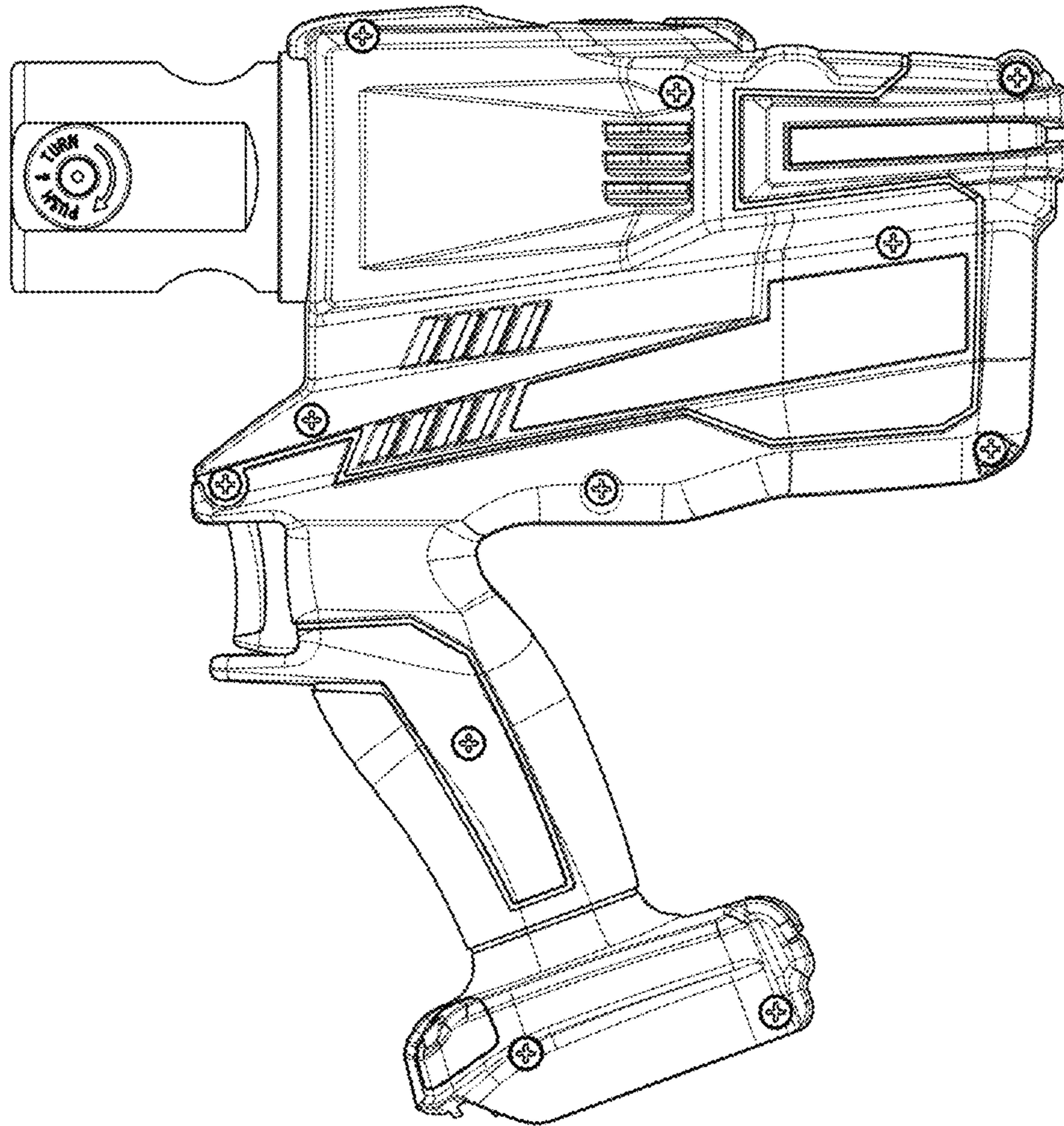


FIG. 8

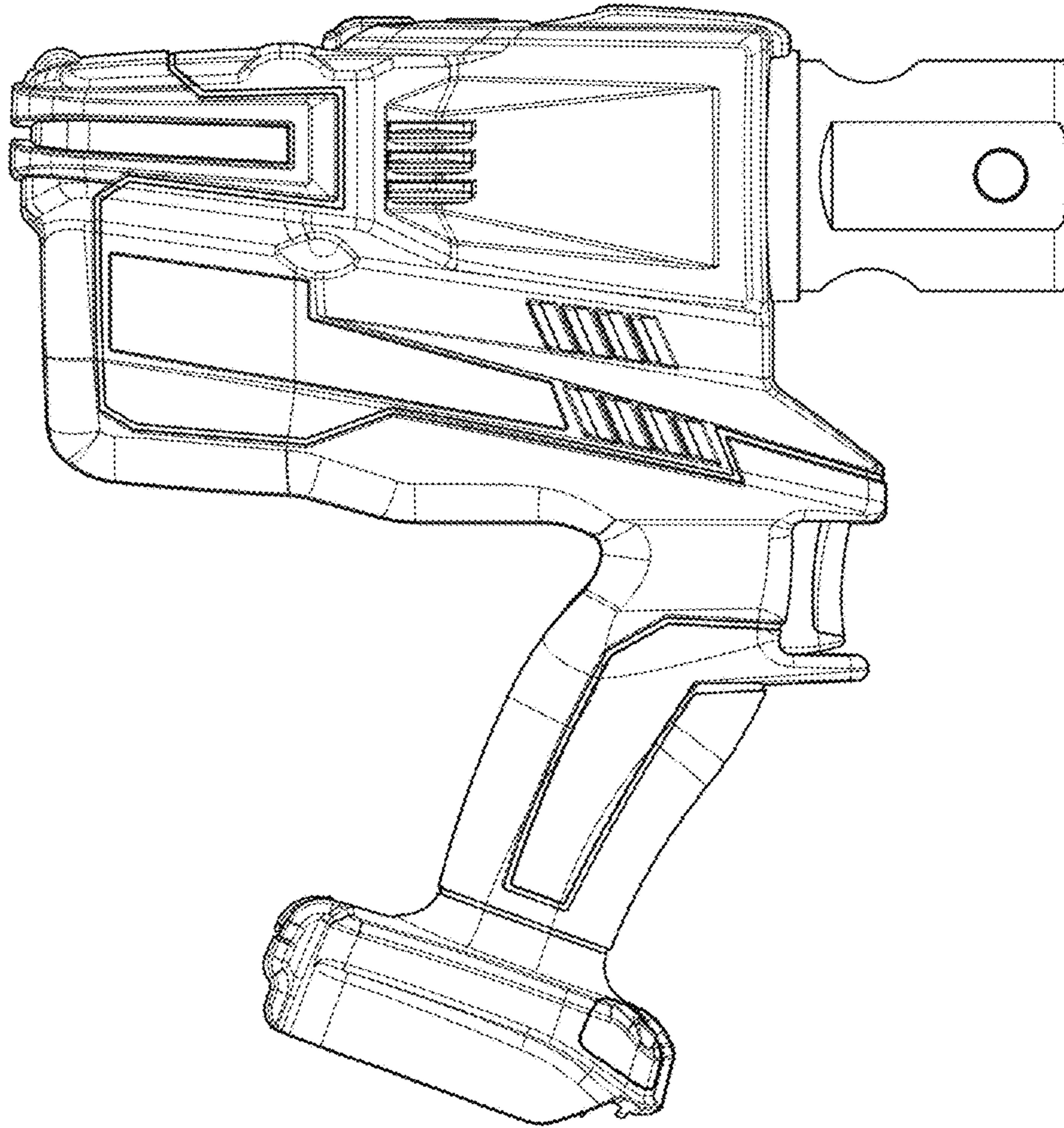


FIG. 9

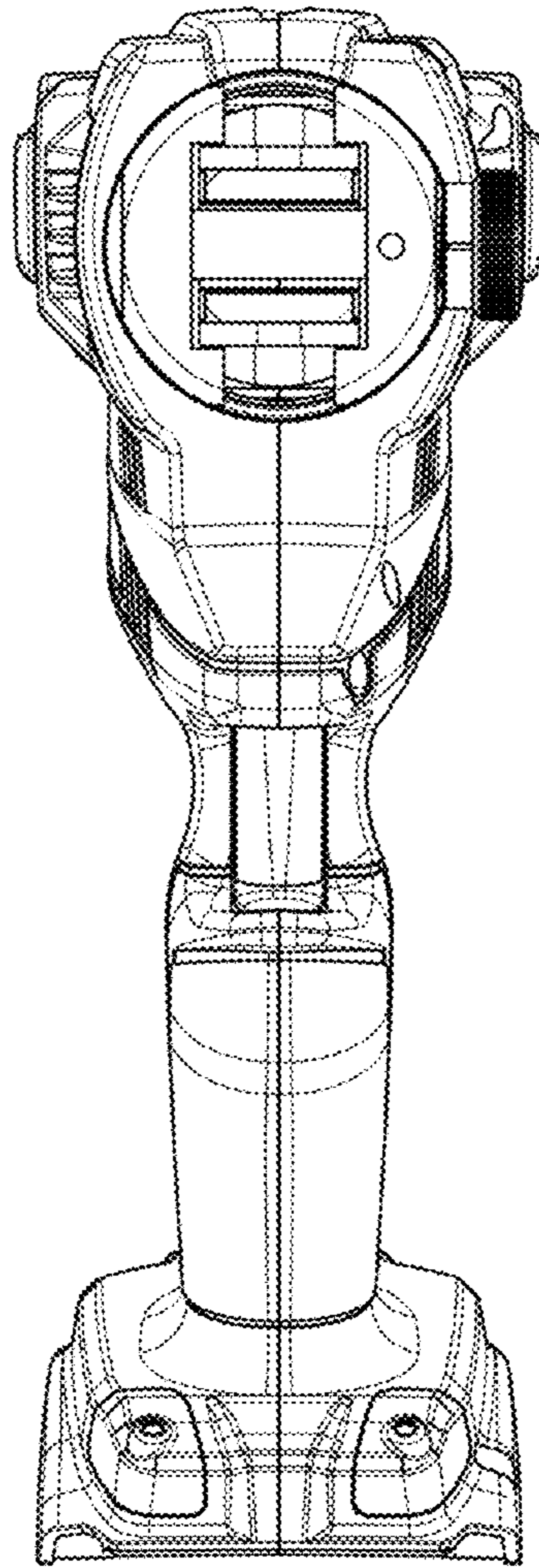


FIG. 10

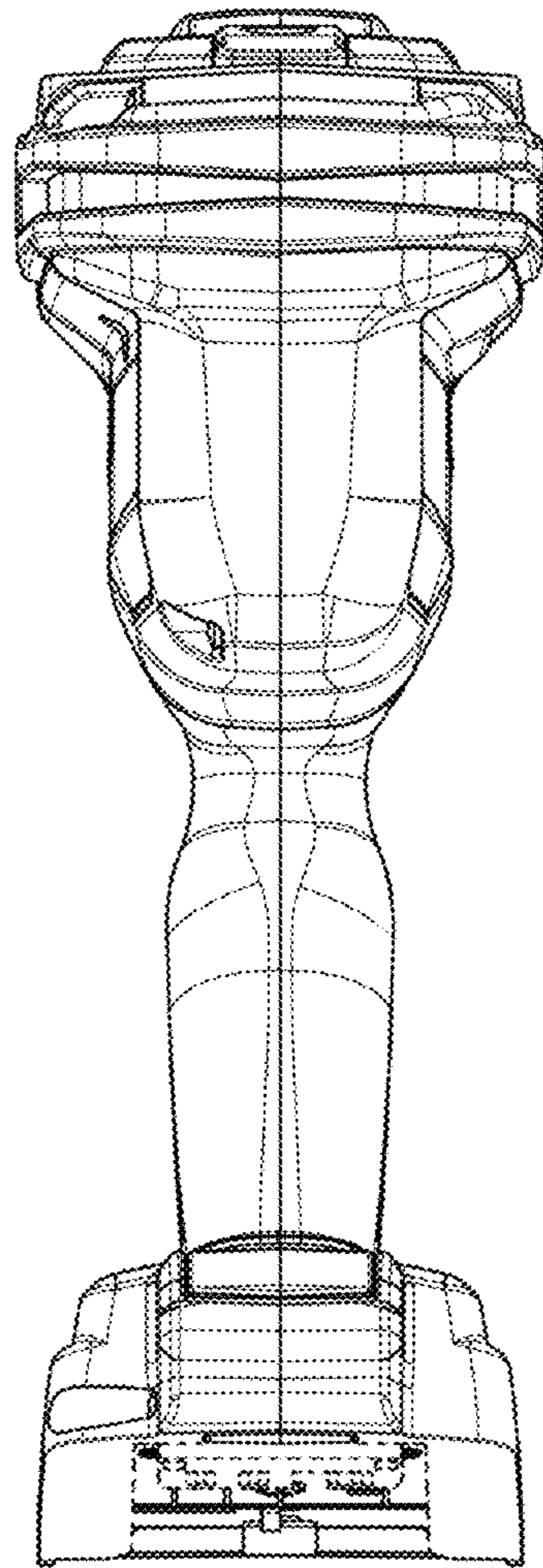


FIG. 11

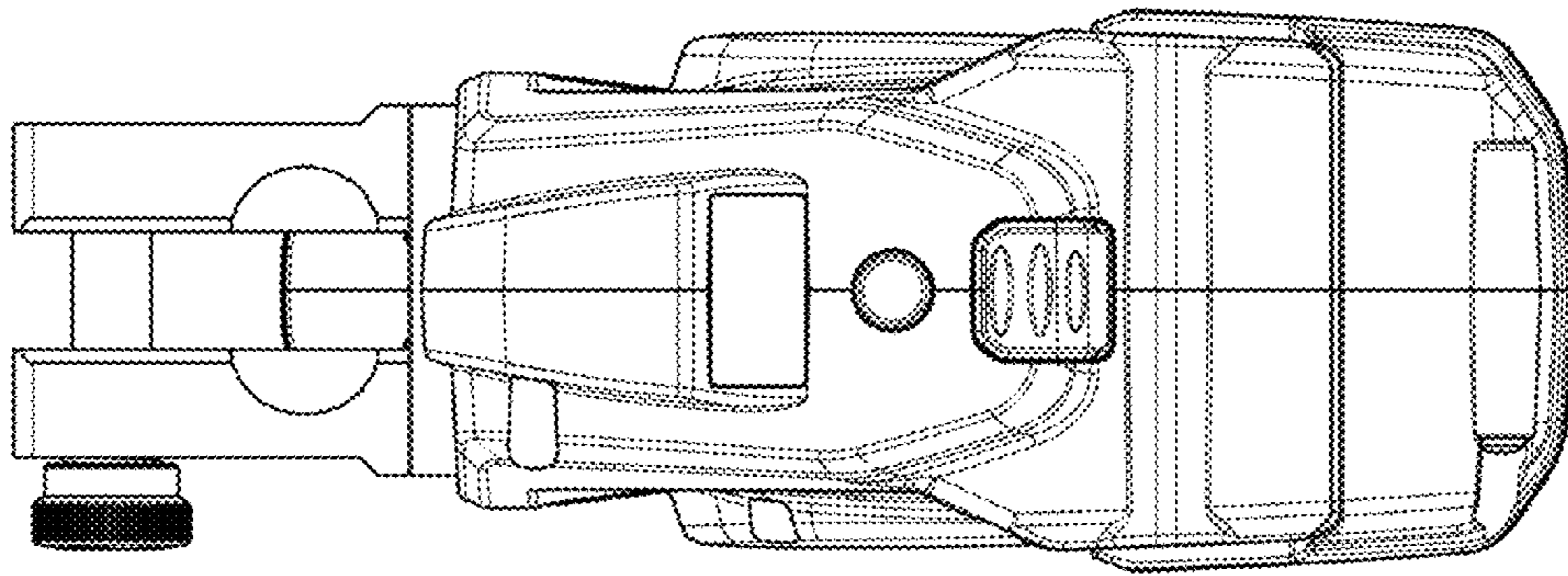


FIG. 12

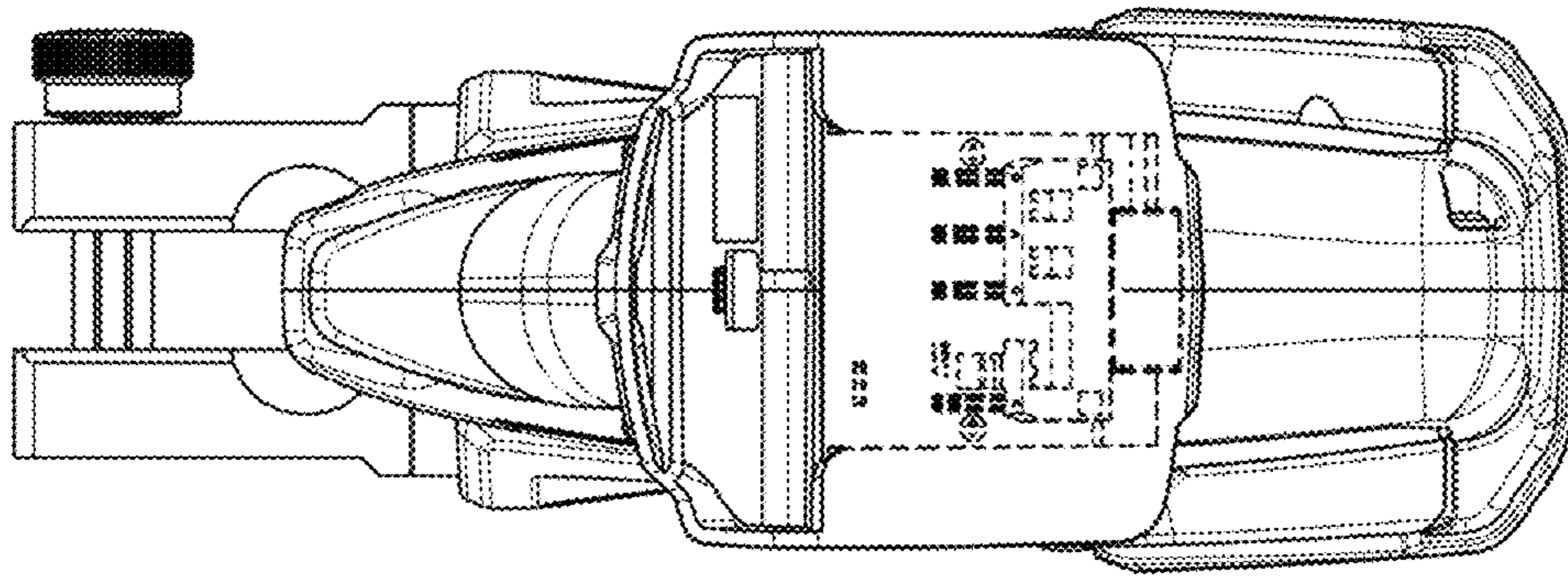


FIG. 13

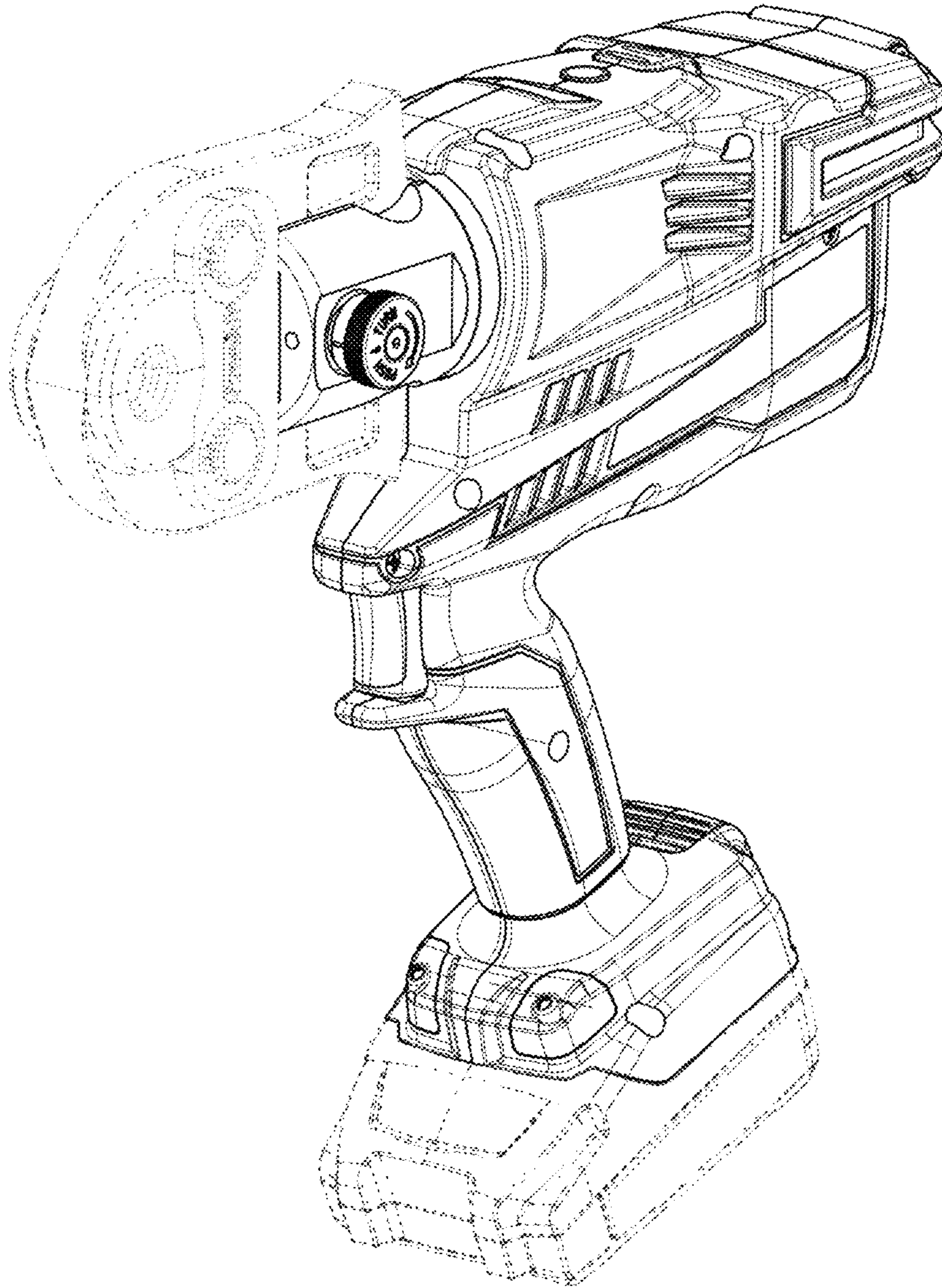


FIG. 14