



US00D835962S

(12) **United States Design Patent**
Aoki et al.

(10) **Patent No.:** **US D835,962 S**

(45) **Date of Patent:** **** Dec. 18, 2018**

(54) **PORTABLE NAILING MACHINE BODY**

(71) Applicant: **Hitachi Koki Co., Ltd.**, Minato-Ku,
Tokyo (JP)

(72) Inventors: **Yoshiki Aoki**, Hitachinaka (JP);
Masanori Okada, Hitachinaka (JP);
Takashi Ueda, Hitachinaka (JP)

(73) Assignee: **Hitachi Koki Co., Ltd.**, Minato-Ku,
Tokyo (JP)

(**) Term: **15 Years**

(21) Appl. No.: **29/607,798**

(22) Filed: **Jun. 16, 2017**

(30) **Foreign Application Priority Data**

Dec. 16, 2016 (JP) 2016-027322

(51) **LOC (11) Cl.** **08-05**

(52) **U.S. Cl.**
USPC **D8/68**

(58) **Field of Classification Search**

USPC D8/61-70

CPC .. B25C 1/001; B25C 1/04; B25C 1/06; B25C
1/041; B25C 1/047

See application file for complete search history.

(56) **References Cited**

U.S. PATENT DOCUMENTS

D416,182 S *	11/1999	Kaiser	D8/69
D483,240 S *	12/2003	Garvis	D8/68
D486,712 S *	2/2004	Yao	D8/68
D501,778 S *	2/2005	Liang	D8/68
D512,291 S *	12/2005	Thomas	D8/69
D512,620 S *	12/2005	Thomas	D8/69
D514,911 S *	2/2006	Thomas	D8/69
D519,809 S *	5/2006	Taniguchi	D8/69

D526,874 S *	8/2006	Tsuzuki	D8/69
7,140,524 B2 *	11/2006	Hung	B25C 1/008 227/8
D540,136 S *	4/2007	Aguirre	D8/69
D551,931 S *	10/2007	Leasure	D8/69
D556,003 S *	11/2007	Buck	D8/69
D562,664 S *	2/2008	Buck	D8/69
D575,127 S *	8/2008	Buck	D8/69
D618,976 S *	7/2010	Taniguchi	D8/69
D677,543 S *	3/2013	Jerabek	D8/68
D678,026 S *	3/2013	Buck	D8/68
D756,739 S *	5/2016	Caglar	D8/68
D756,740 S *	5/2016	Caglar	D8/68
D817,734 S *	5/2018	Concari	D8/68
2003/0230621 A1 *	12/2003	Yamamoto	B25C 1/005 227/113
2005/0001007 A1 *	1/2005	Butzen	B25C 1/005 227/130

(Continued)

Primary Examiner — Darlington Ly

(74) *Attorney, Agent, or Firm* — Banner & Witcoff, Ltd.

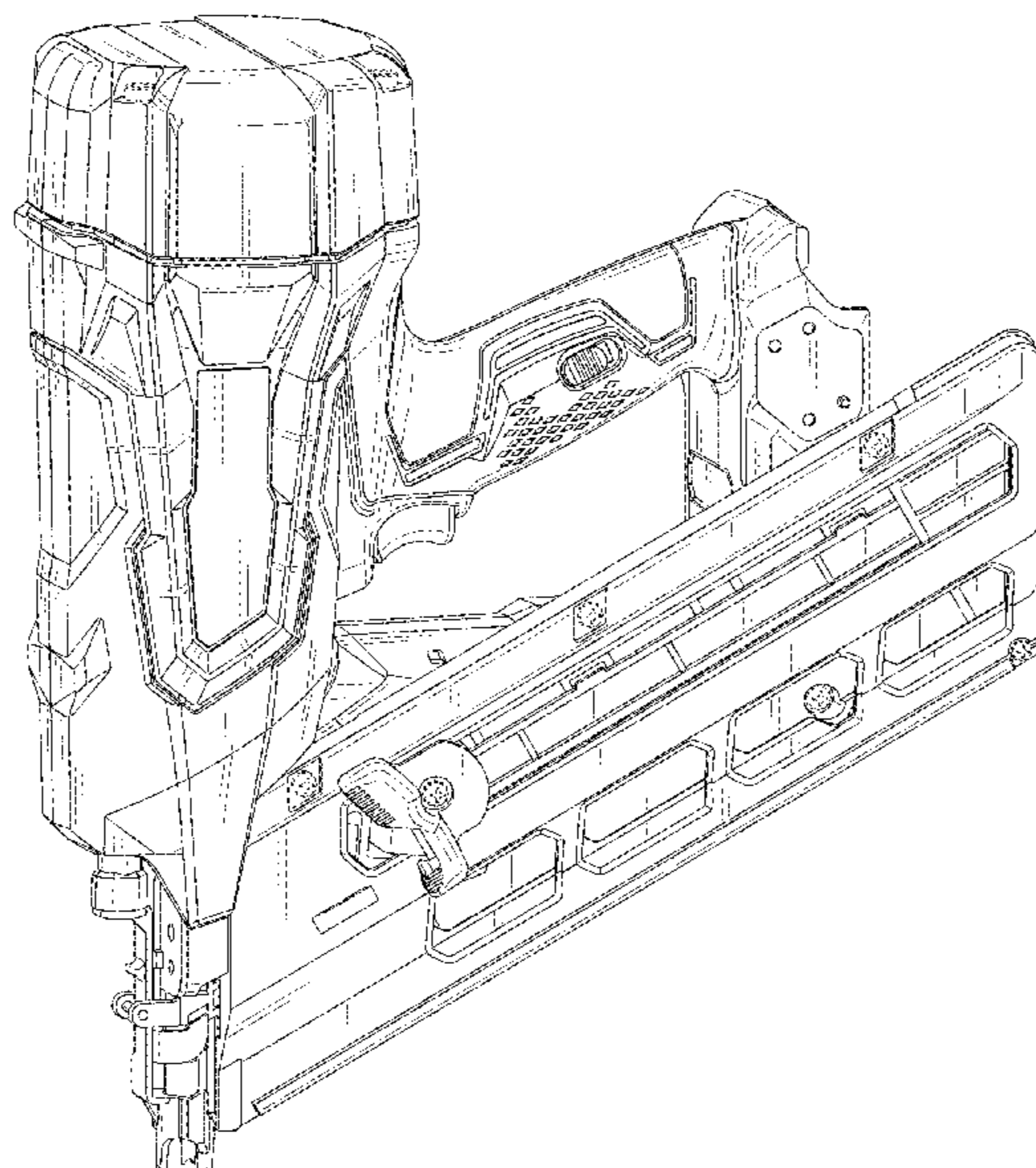
(57) **CLAIM**

The ornamental design for a portable nailing machine body,
as shown and described.

DESCRIPTION

FIG. 1 is a top, front, and left side perspective view of a portable nailing machine body showing our new design; FIG. 2 is a top, rear, and right side perspective view thereof; FIG. 3 is a front elevation view thereof; FIG. 4 is a rear elevation view thereof; FIG. 5 is a left side elevation view thereof; FIG. 6 is a right side elevation view thereof; FIG. 7 is a top plan view thereof; and, FIG. 8 is a bottom plan view thereof. The broken lines in the drawings illustrate portions of the portable nailing machine body that form no part of the claimed design.

1 Claim, 6 Drawing Sheets



(56)

References Cited

U.S. PATENT DOCUMENTS

2006/0016843 A1 * 1/2006 Ishizawa B25C 5/1675
227/8

* cited by examiner

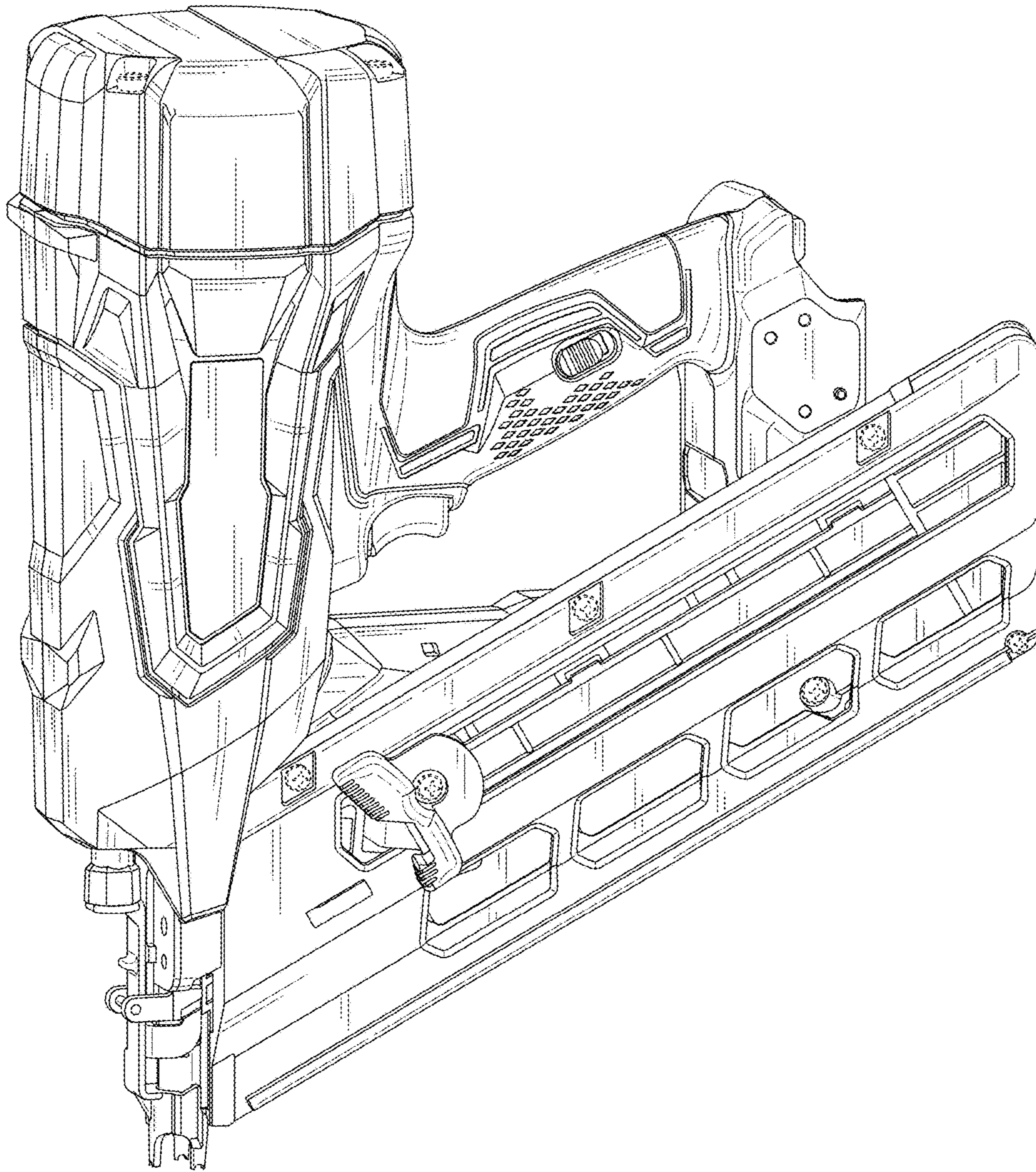


FIG. 1

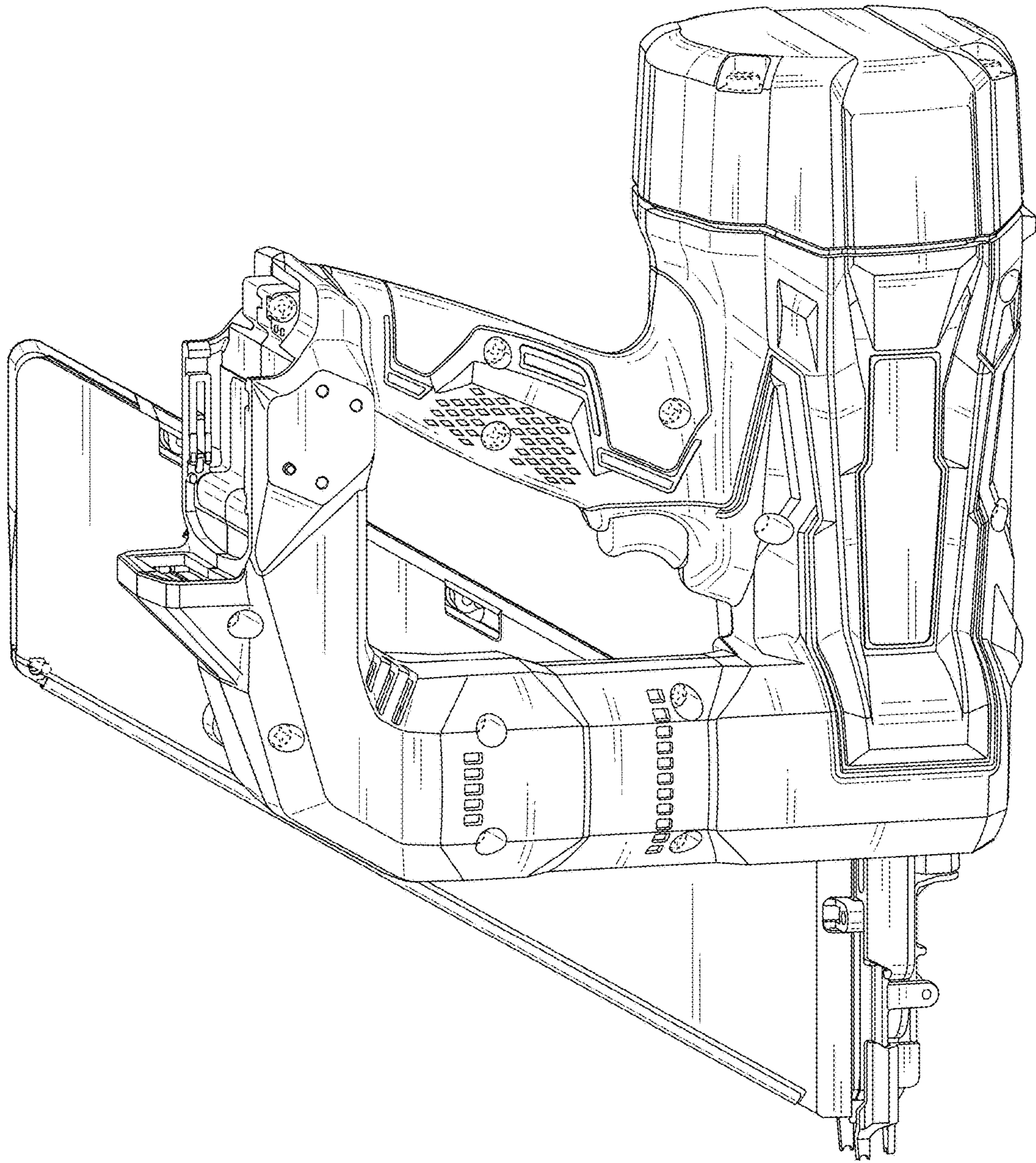


FIG. 2

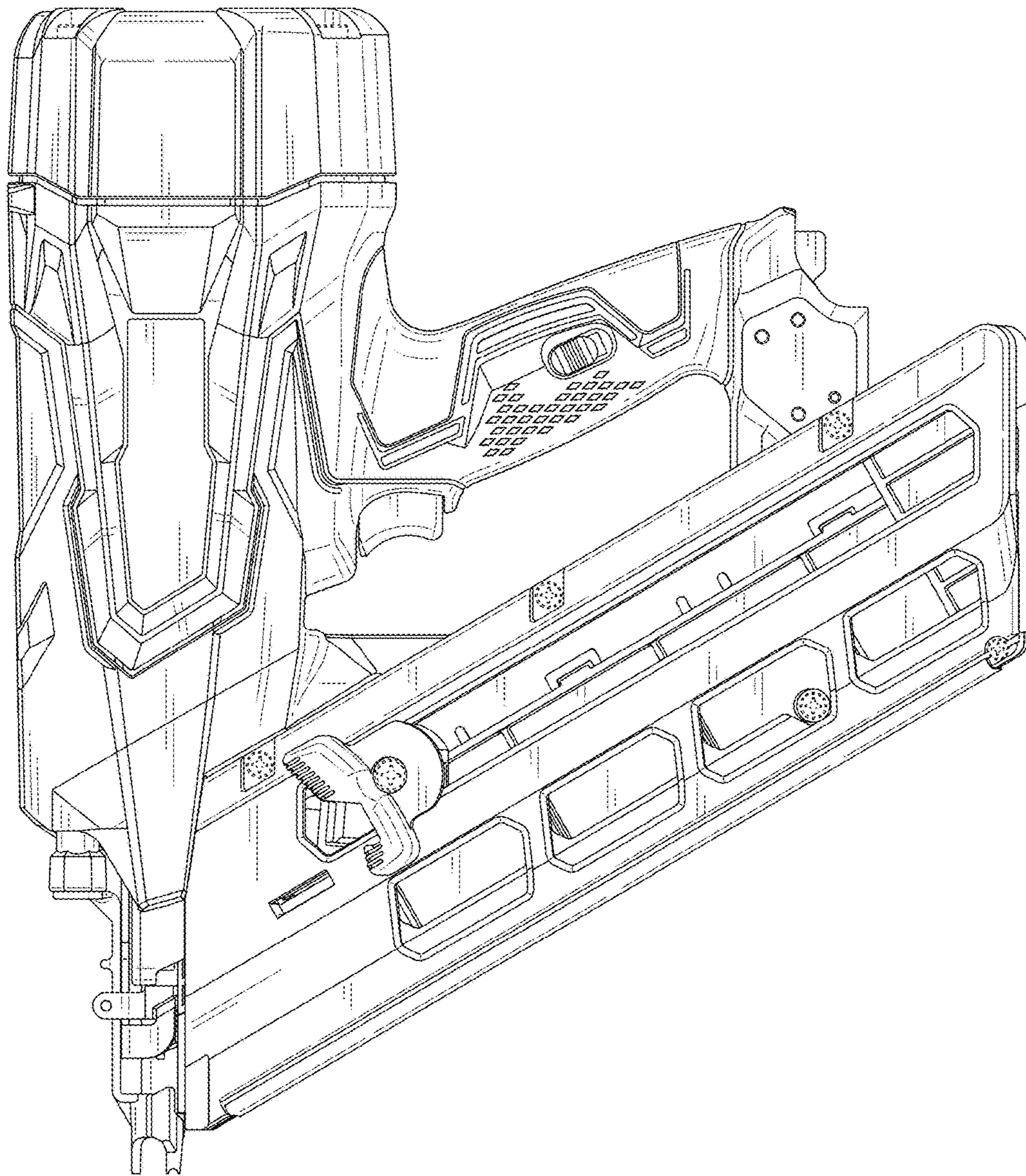


FIG. 3

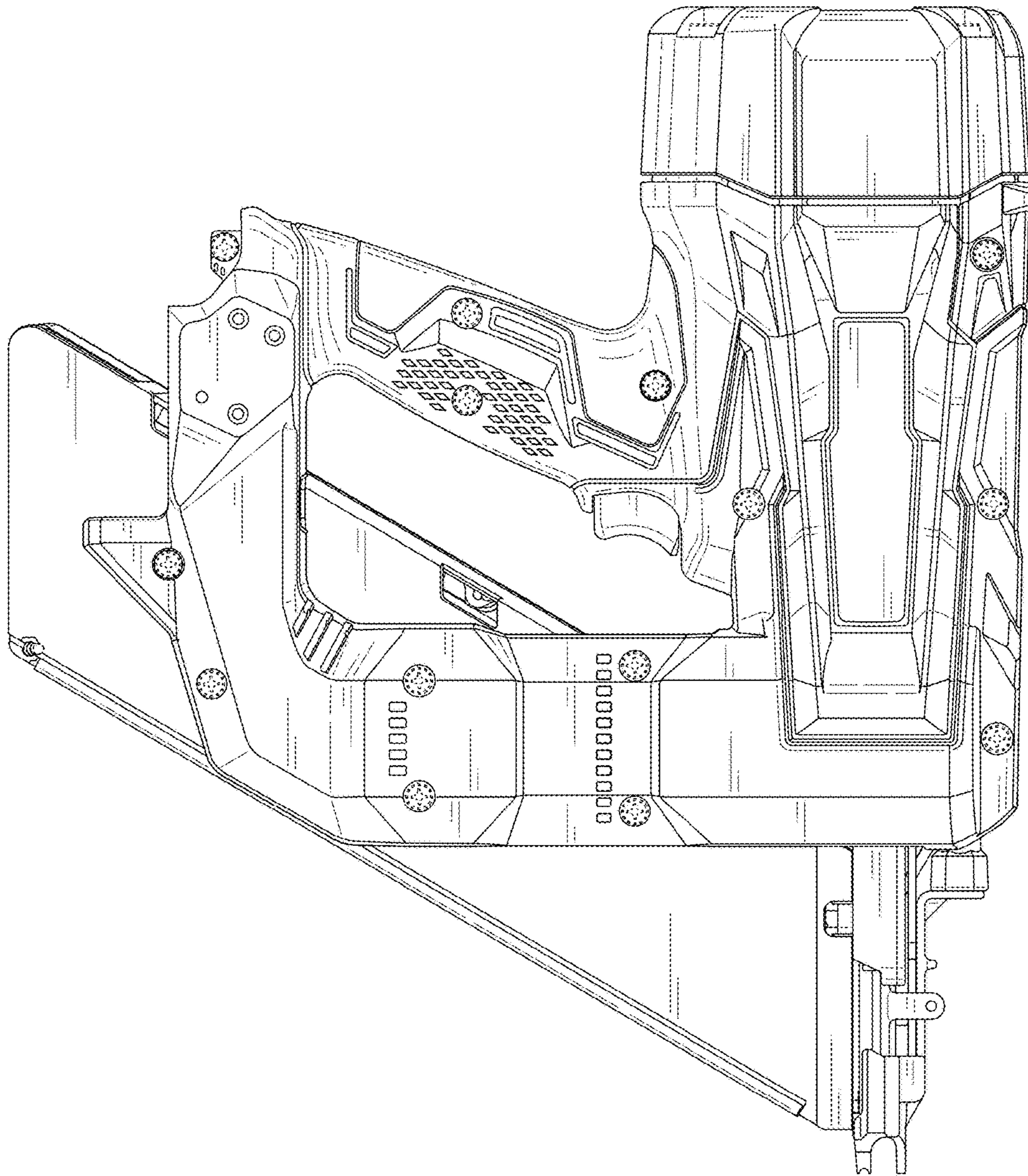


FIG. 4

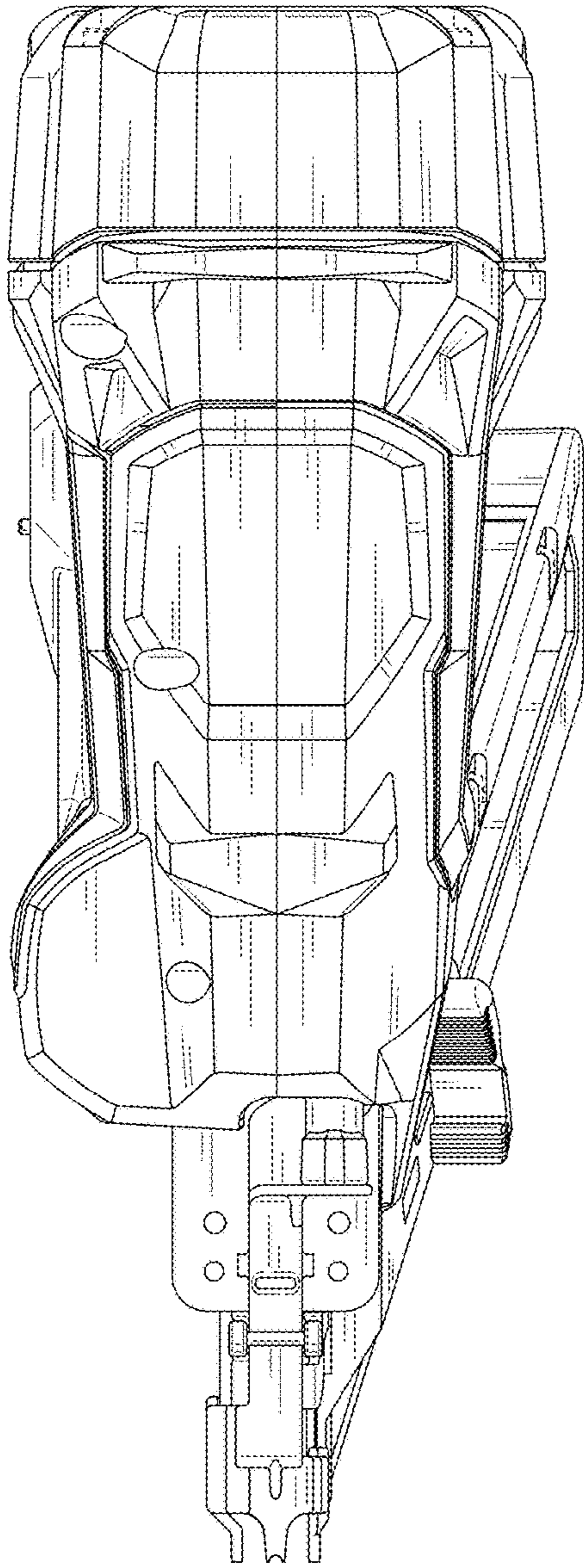


FIG. 5

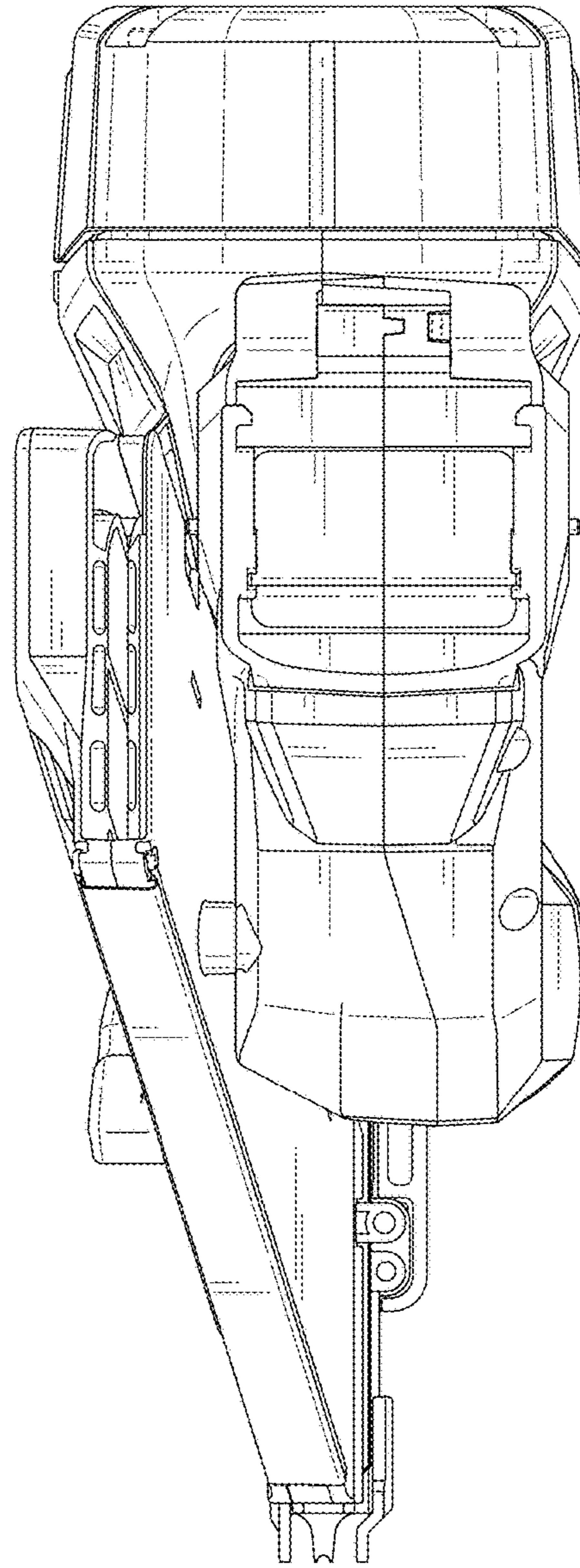


FIG. 6

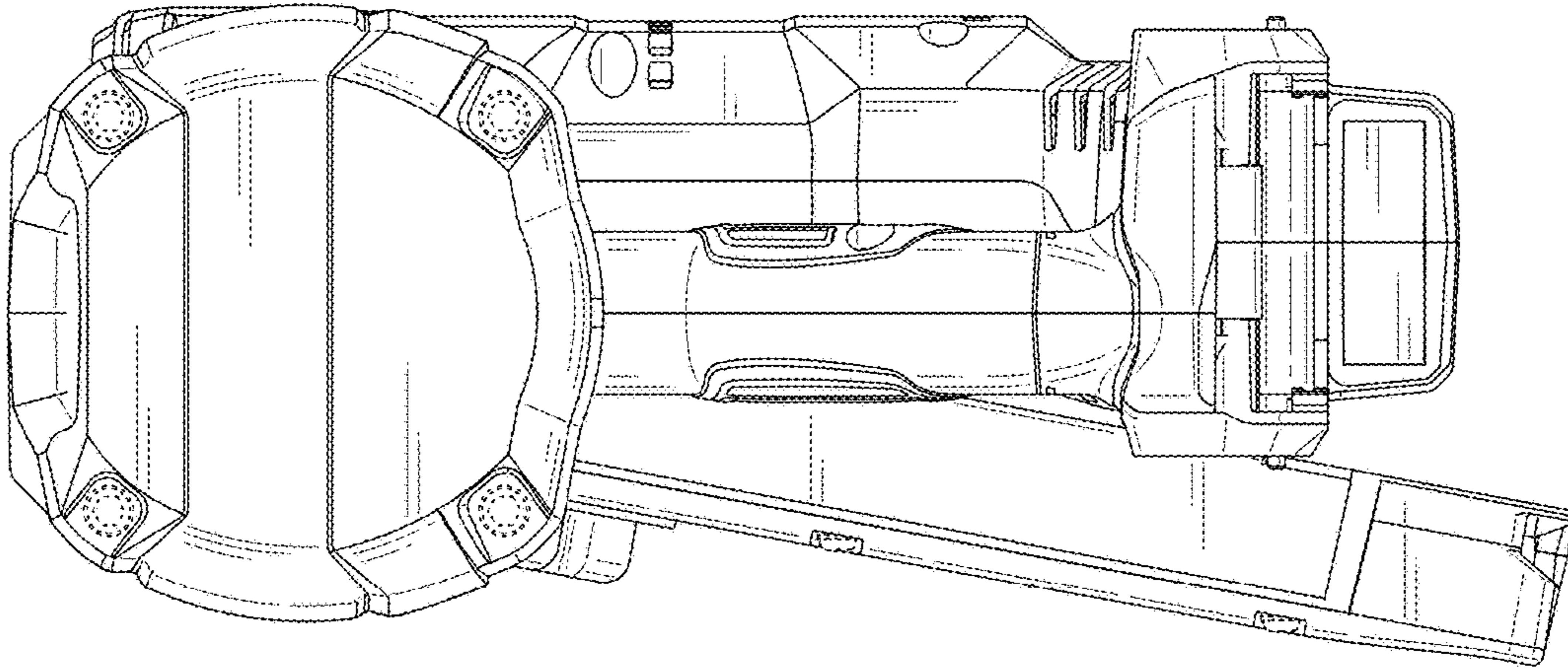


FIG. 7

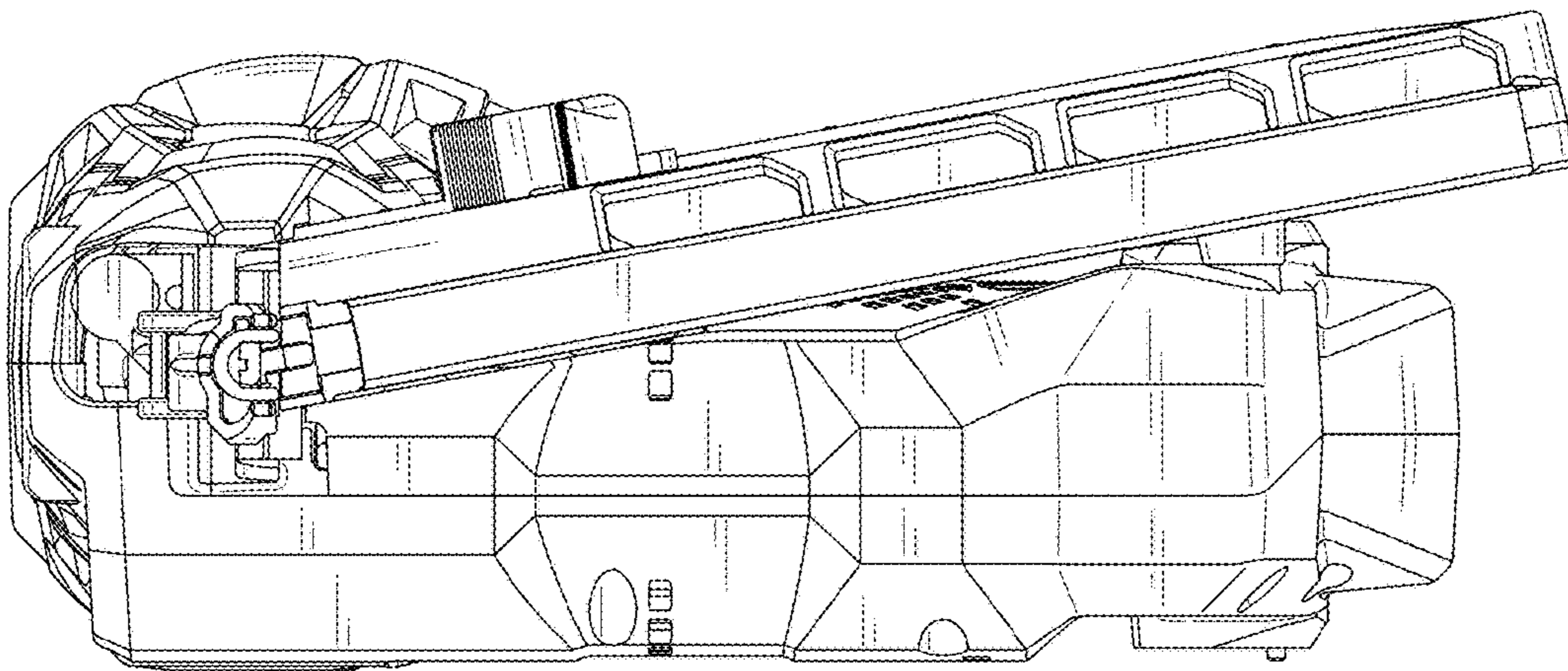


FIG. 8