



US00D835961S

(12) **United States Design Patent** (10) **Patent No.:** **US D835,961 S**
Kachar (45) **Date of Patent:** **** Dec. 18, 2018**

(54) **POWER TOOL**

(71) Applicant: **MILWAUKEE ELECTRIC TOOL CORPORATION**, Brookfield, WI (US)

(72) Inventor: **Amanda M. Kachar**, Milwaukee, WI (US)

(73) Assignee: **MILWAUKEE ELECTRIC TOOL CORPORATION**, Brookfield, WI (US)

(**) Term: **15 Years**

(21) Appl. No.: **29/596,128**

(22) Filed: **Mar. 6, 2017**

(51) **LOC (11) Cl.** **08-05**

(52) **U.S. Cl.**
USPC **D8/68**; D8/29.1

(58) **Field of Classification Search**
USPC D8/29.1-29.2, 30, 61, 67, 68; D28/13
CPC A45D 20/08; A45D 20/10; F24H 3/00;
F24H 3/0423; F16M 13/00
See application file for complete search history.

(56) **References Cited**

U.S. PATENT DOCUMENTS

D259,234 S *	5/1981	Pfeil	392/385
D274,551 S *	7/1984	Benjamin	D28/13
D293,020 S *	12/1987	Steinel	D23/332
D297,397 S *	8/1988	Pagani	D8/29.1
D297,398 S *	8/1988	Pagani	D8/29.1
D334,876 S *	4/1993	Swedish	D8/29.1
D388,297 S *	12/1997	Buttenbender	D8/29.1
D388,298 S *	12/1997	Jerdee	D8/29.1
D457,407 S *	5/2002	Pretzell	D8/29.1
D481,277 S *	10/2003	Waldron	D8/29.1
D484,385 S	12/2003	Sakai et al.	
6,873,791 B2 *	3/2005	Cheng	F24H 9/06 219/242
D516,883 S *	3/2006	Popov	D8/29.1
D572,097 S *	7/2008	Yung-Kuan	D28/13
D615,834 S *	5/2010	Netzler	D8/29.1

D615,835 S *	5/2010	Netzler	D8/29.1
D639,129 S *	6/2011	Van Wambeke	D8/29.1
D641,220 S *	7/2011	Shi	D8/29.1
D664,820 S *	8/2012	Furling	D8/29.1
D679,561 S *	4/2013	Price	D8/29.1

(Continued)

FOREIGN PATENT DOCUMENTS

JP	1330497	5/2008
TW	D121209	2/2008
TW	D125713	11/2008

OTHER PUBLICATIONS

Steinel Professionals, "BHG 360 Li-Ion;" <<http://www.steinel-professional.de/en/Hot-air-Gluing/Hot-air-tools/BHG-360-Li-Ion.html>> website accessed Feb. 28, 2017.

(Continued)

Primary Examiner — Darlington Ly

(74) *Attorney, Agent, or Firm* — Michael Best & Friedrich LLP

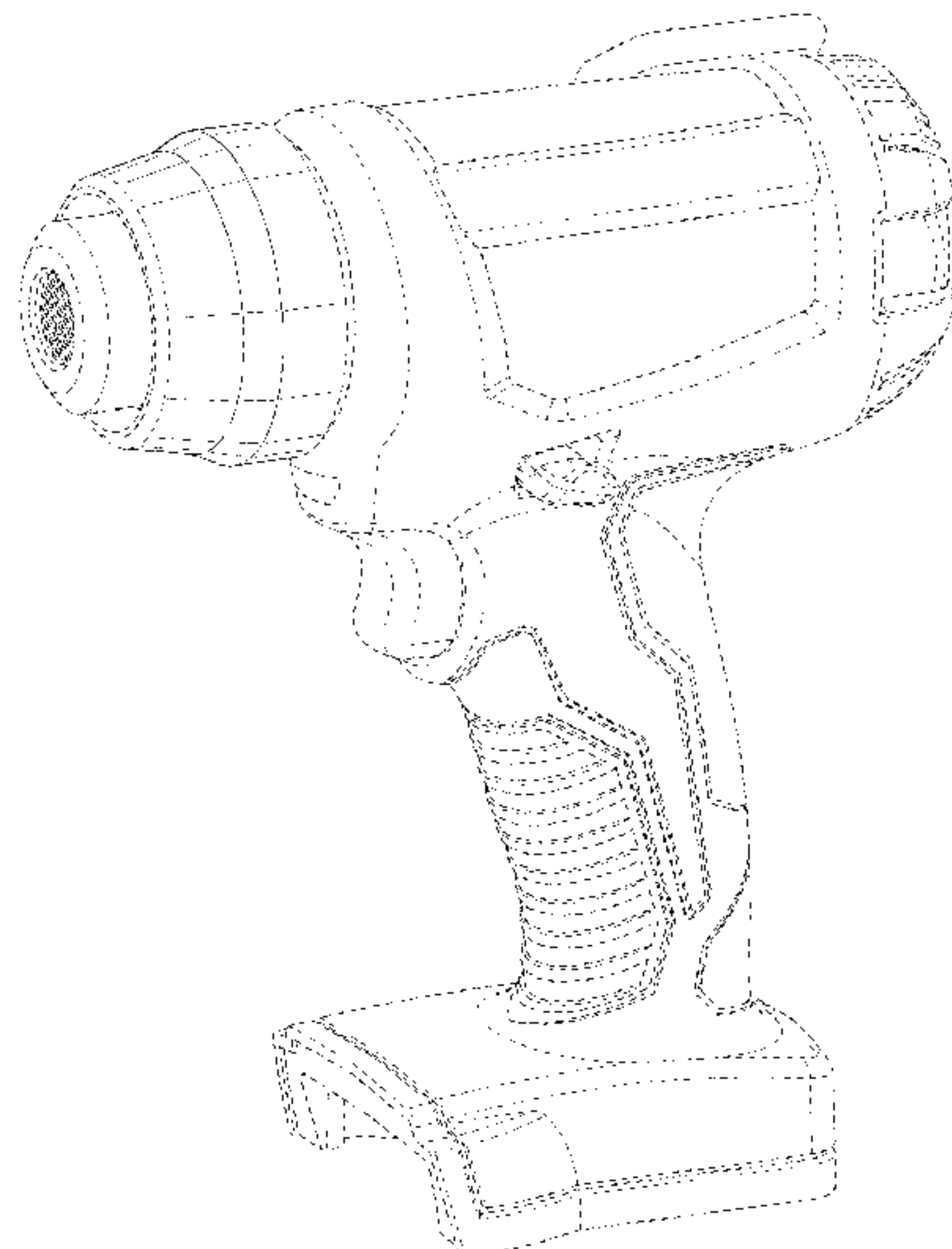
(57) **CLAIM**

I claim the ornamental design for a power tool, as shown and described.

DESCRIPTION

FIG. 1 is a front perspective view of a power tool showing my new design;
FIG. 2 is a rear perspective view thereof;
FIG. 3 is a front elevation view thereof;
FIG. 4 is a rear elevation view thereof;
FIG. 5 is a right side elevation view thereof;
FIG. 6 is a left side elevation view thereof;
FIG. 7 is a top plan view thereof; and,
FIG. 8 is a bottom plan view thereof.
The broken lines in the drawings illustrate portions of the power tool that form no part of the claimed design.

1 Claim, 8 Drawing Sheets



(56)

References Cited

U.S. PATENT DOCUMENTS

D703,020	S	*	4/2014	Zhu	D8/68
D727,706	S	*	4/2015	Chen	D8/68
D740,629	S	*	10/2015	Furling	D8/29.1
D742,708	S	*	11/2015	Howell	D8/29.1
D746,653	S	*	1/2016	Furling	D8/29.1
D803,649	S	*	11/2017	van der Rest	D8/68
2010/0065545	A1	*	3/2010	Chung	F24H 3/0423 219/227

OTHER PUBLICATIONS

Makita, "HG551V Heat Gun," <<https://www.makitatools.com/products/details/HG551V>> website accessed Feb. 28, 2017.
Milwaukee Electric Tool, "Dual Temperature Heat Gun," <<https://www.milwaukeetool.com/power-tools/corded/8975-6>> website accessed Feb. 28, 2017.

DeWalt, "D26950 Heat Gun," <<http://www.dewalt.com/products/power-tools/specialty-and-other-tools/heat-gun/d26950>> website accessed Feb. 28, 2017.

Wagner, "HT1000 Heat Gun," <<https://www.wagnerspraytech.com/products/surface-prep/heat-guns/ht1000-heat-gun/>> website accessed Feb. 28, 2017.

Porter Cable, "1500 Watt Heat Gun," <<http://www.portercable.com/Products/ProductDetail.aspx?ProductID=24265>> website accessed Feb. 28, 2017.

Master, "Ecoheat Heat Gun & Kit," <<https://www.masterappliance.com/heat-tool-products/heat-guns/econoiron-heat-gun>> website accessed Feb. 28, 2017.

Master, "Proheat 1100 Dualtemp Heat Gun & Kit," <<https://www.masterappliance.com/heat-tool-products/heat-guns/proheat-heat-guns/proheat-heat-gun>> website accessed Feb. 28, 2017.

Grainger, "Westward Electric Heat Gun," <<https://www.grainger.com/product/WESTWARD-Heat-Gun-4HWK1>> website accessed Feb. 28, 2017.

* cited by examiner

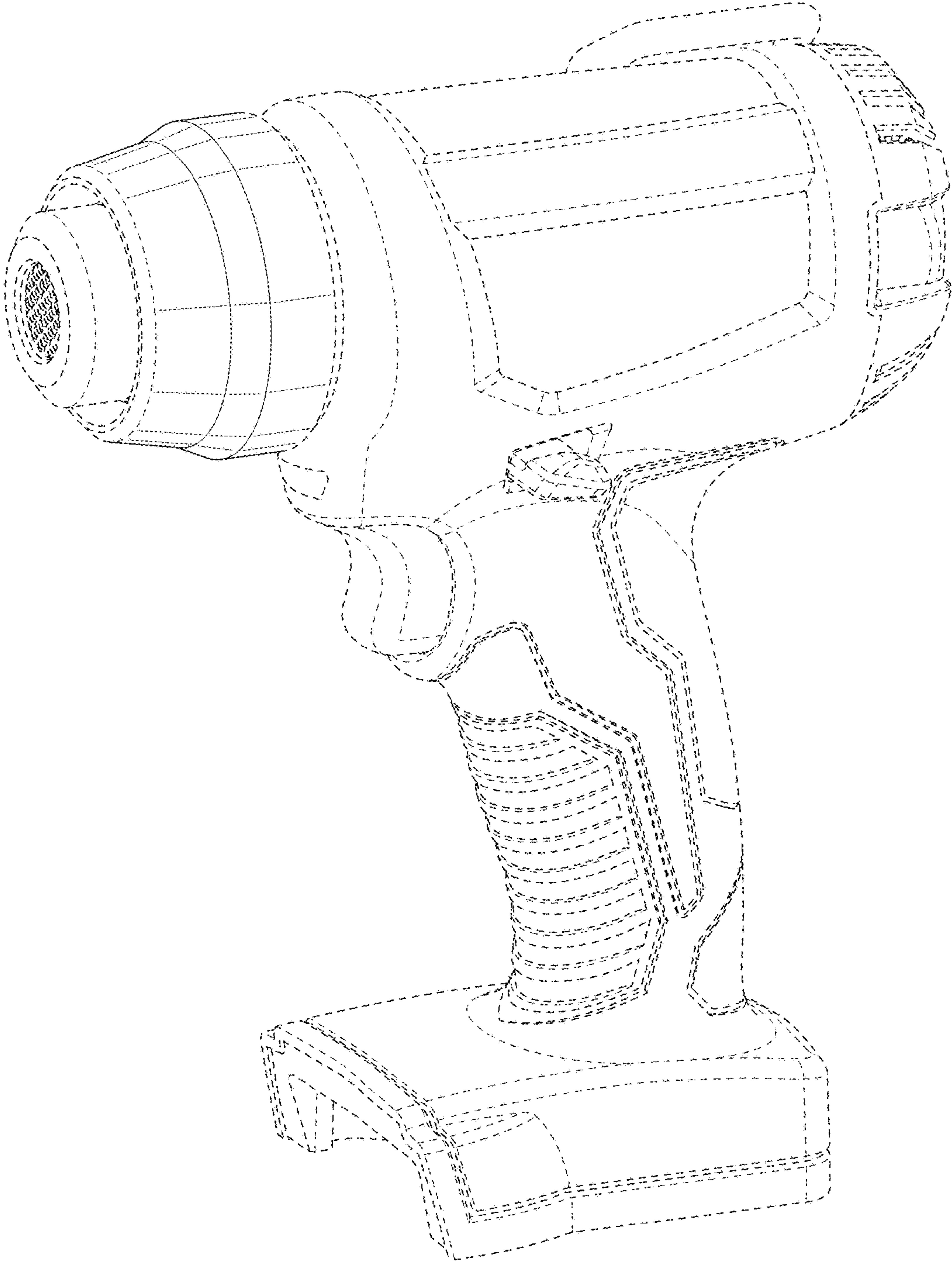


FIG. 1

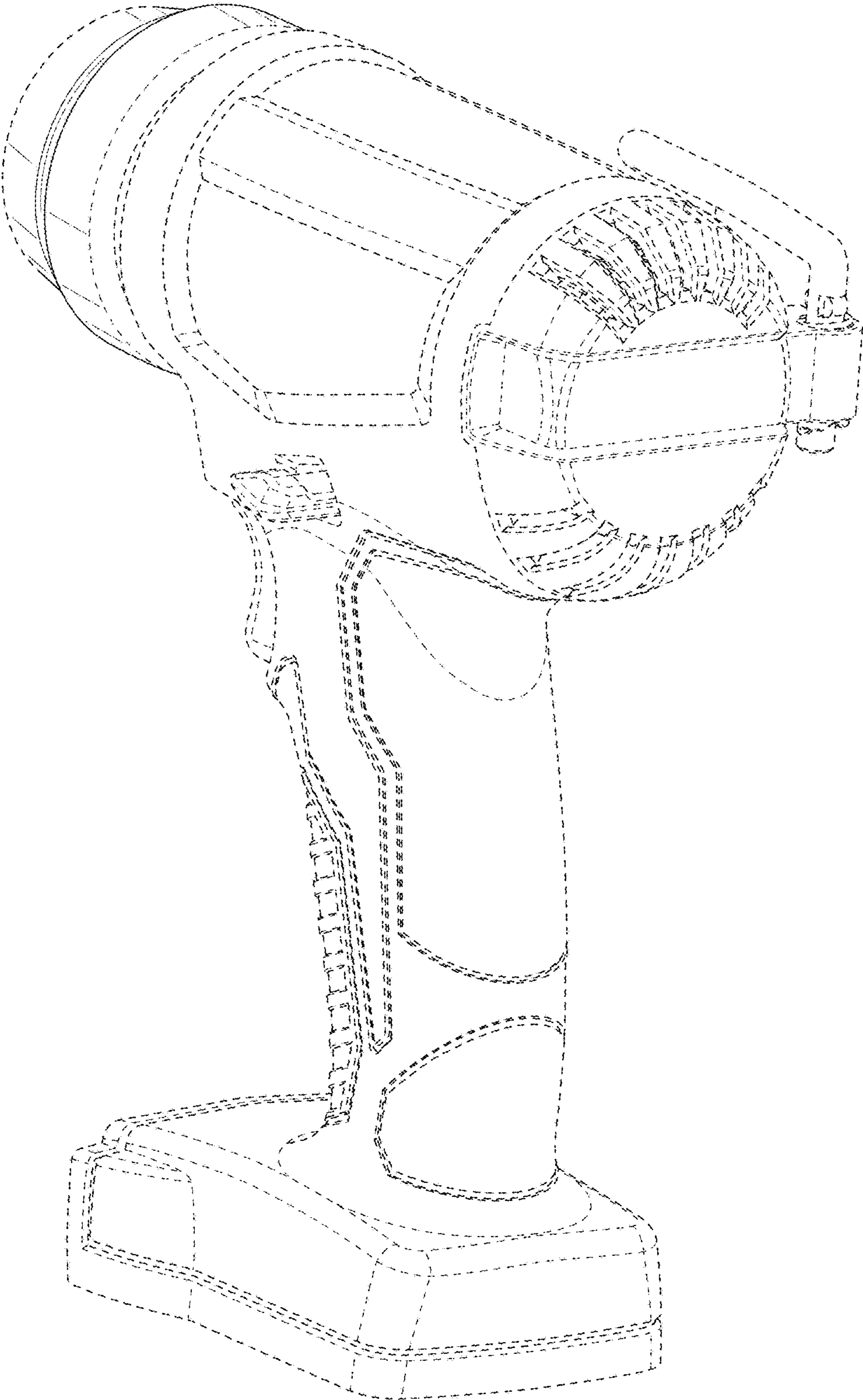


FIG. 2

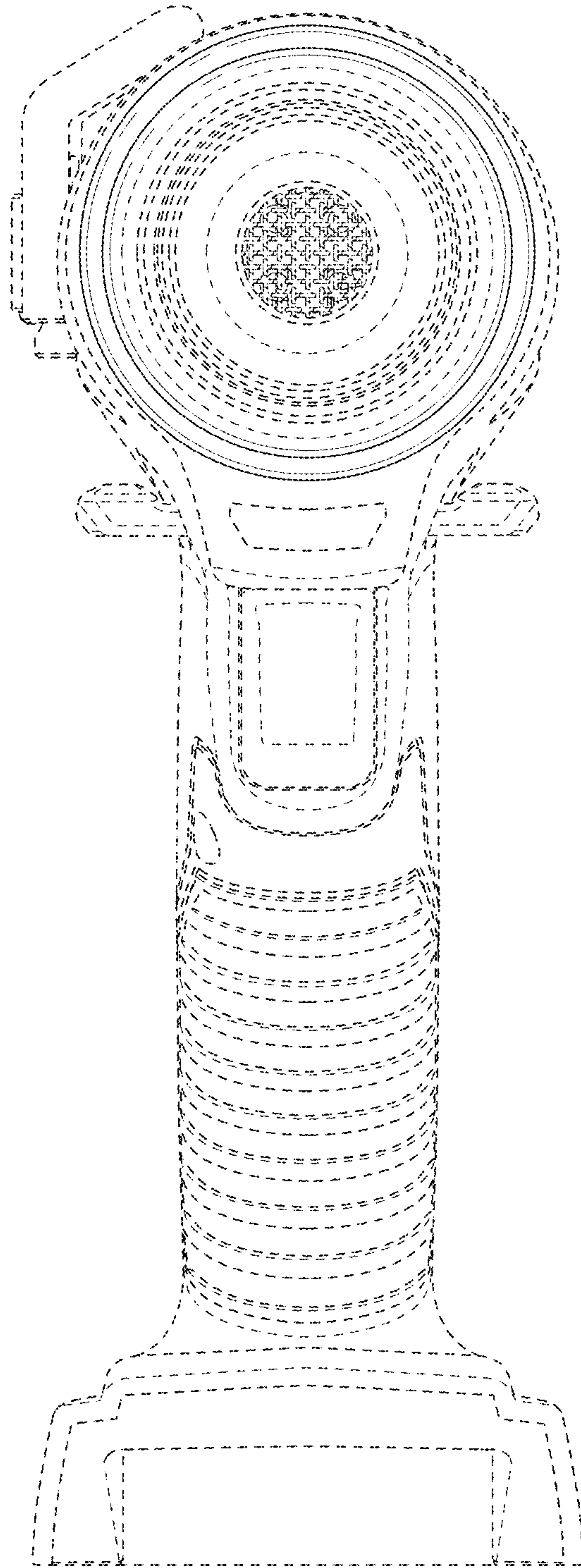


FIG. 3

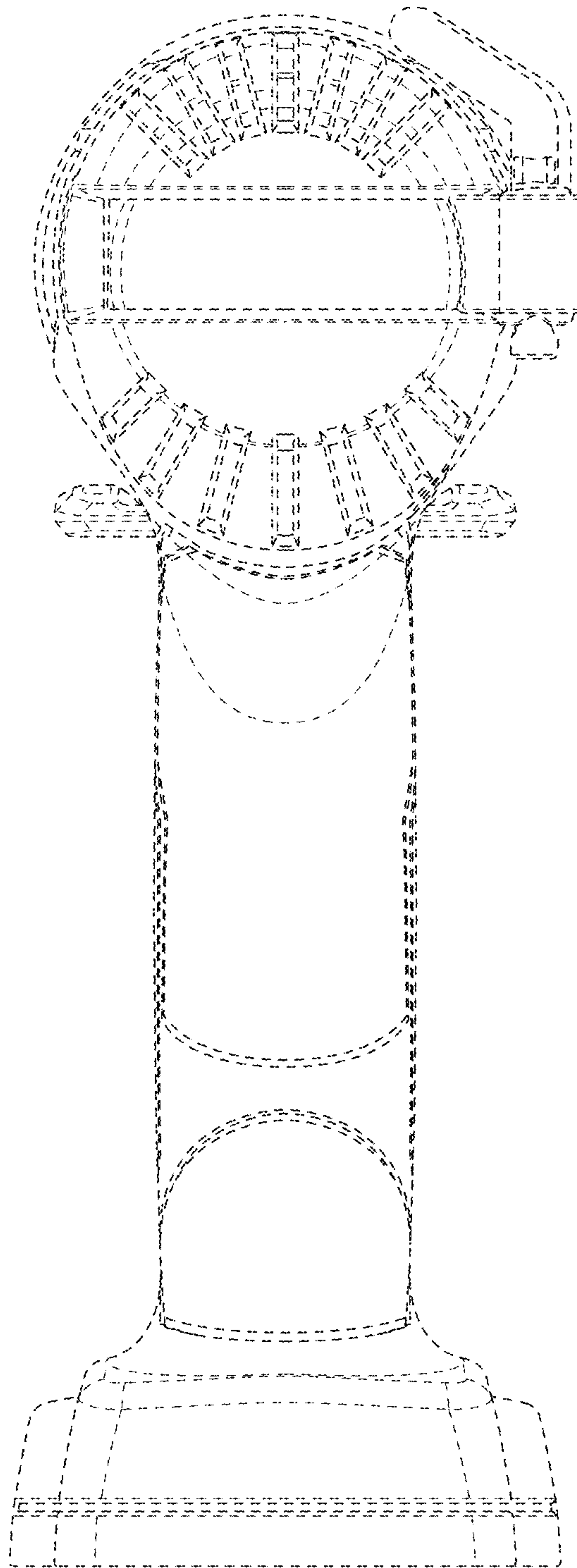


FIG. 4

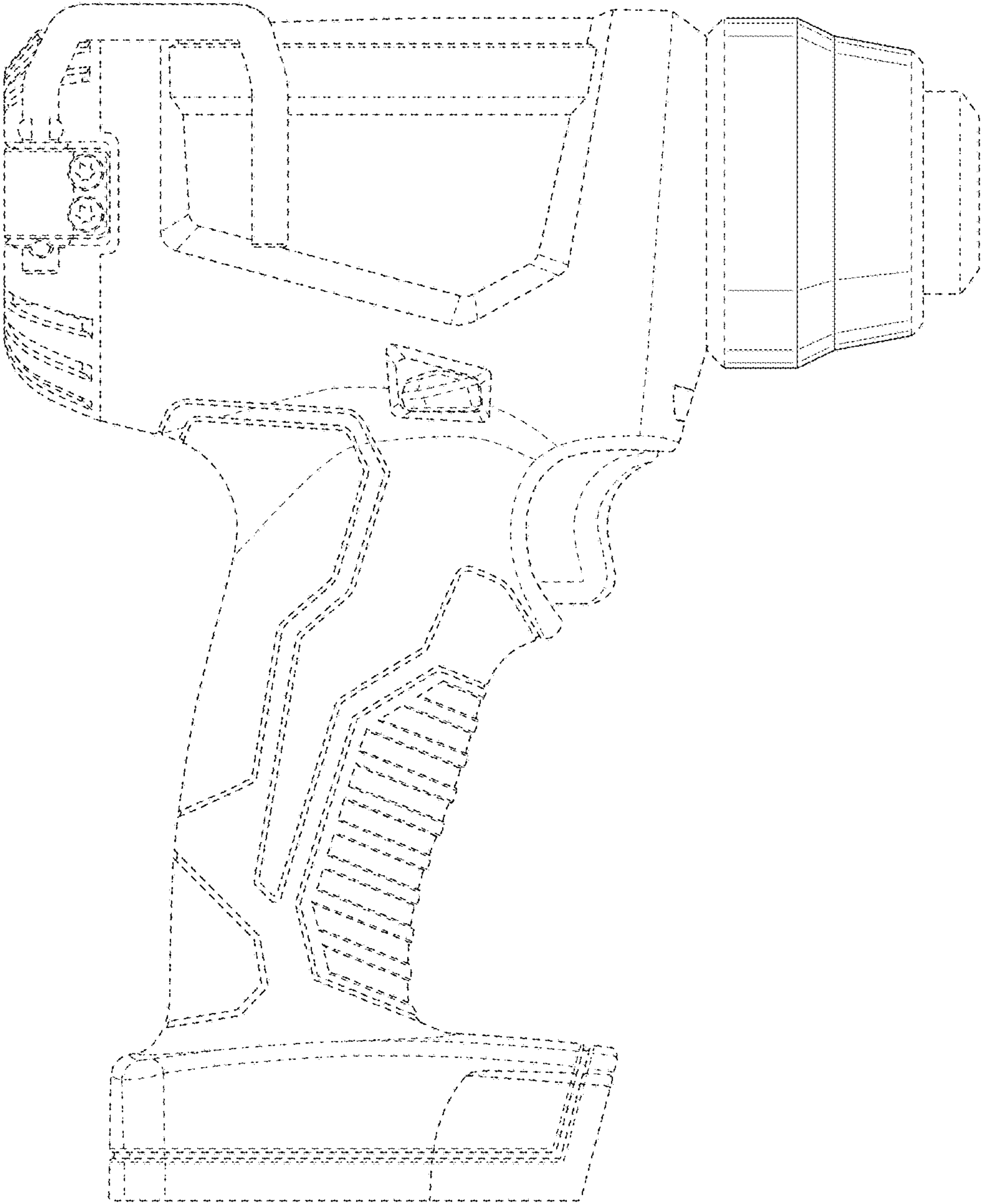


FIG. 5

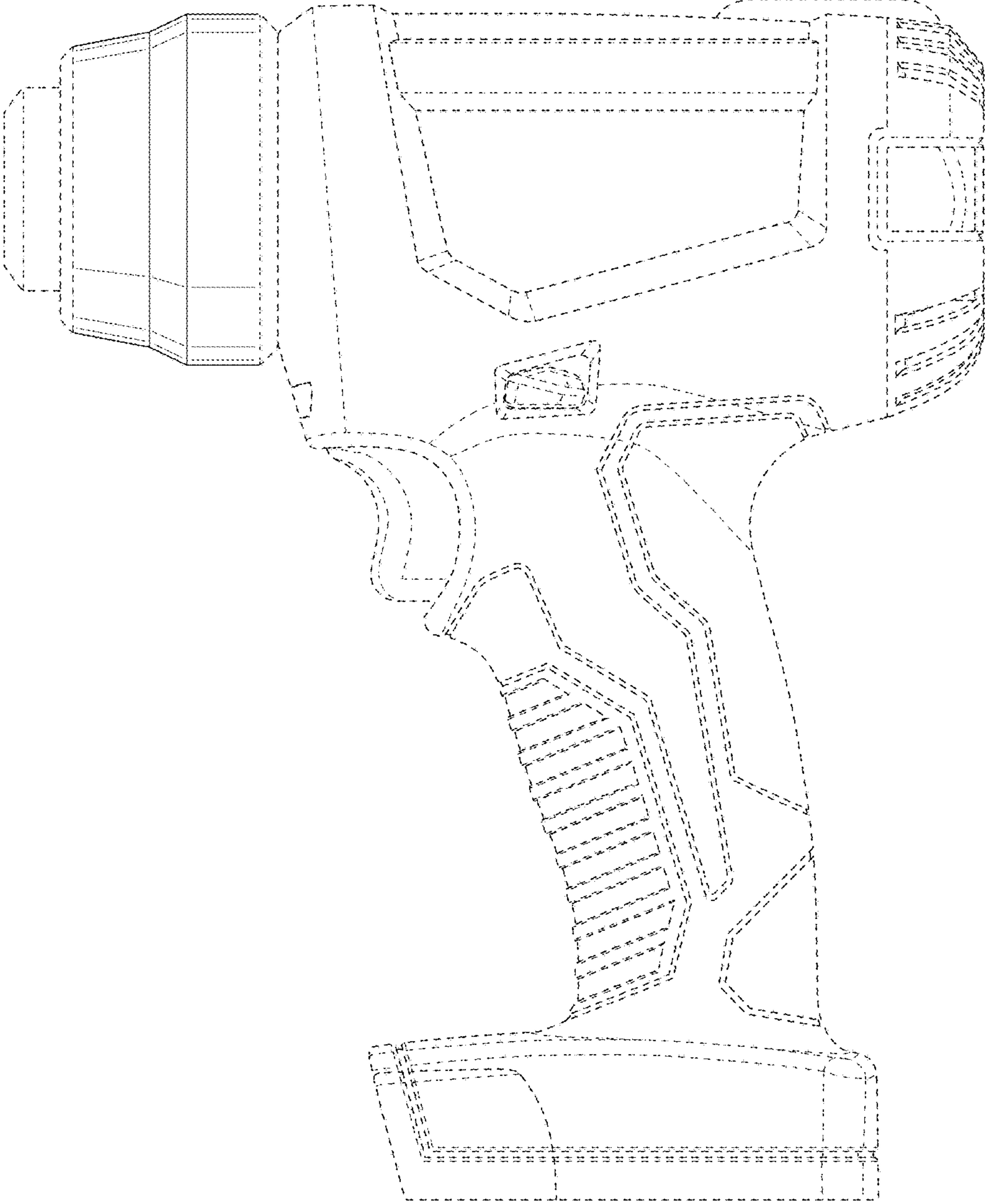


FIG. 6

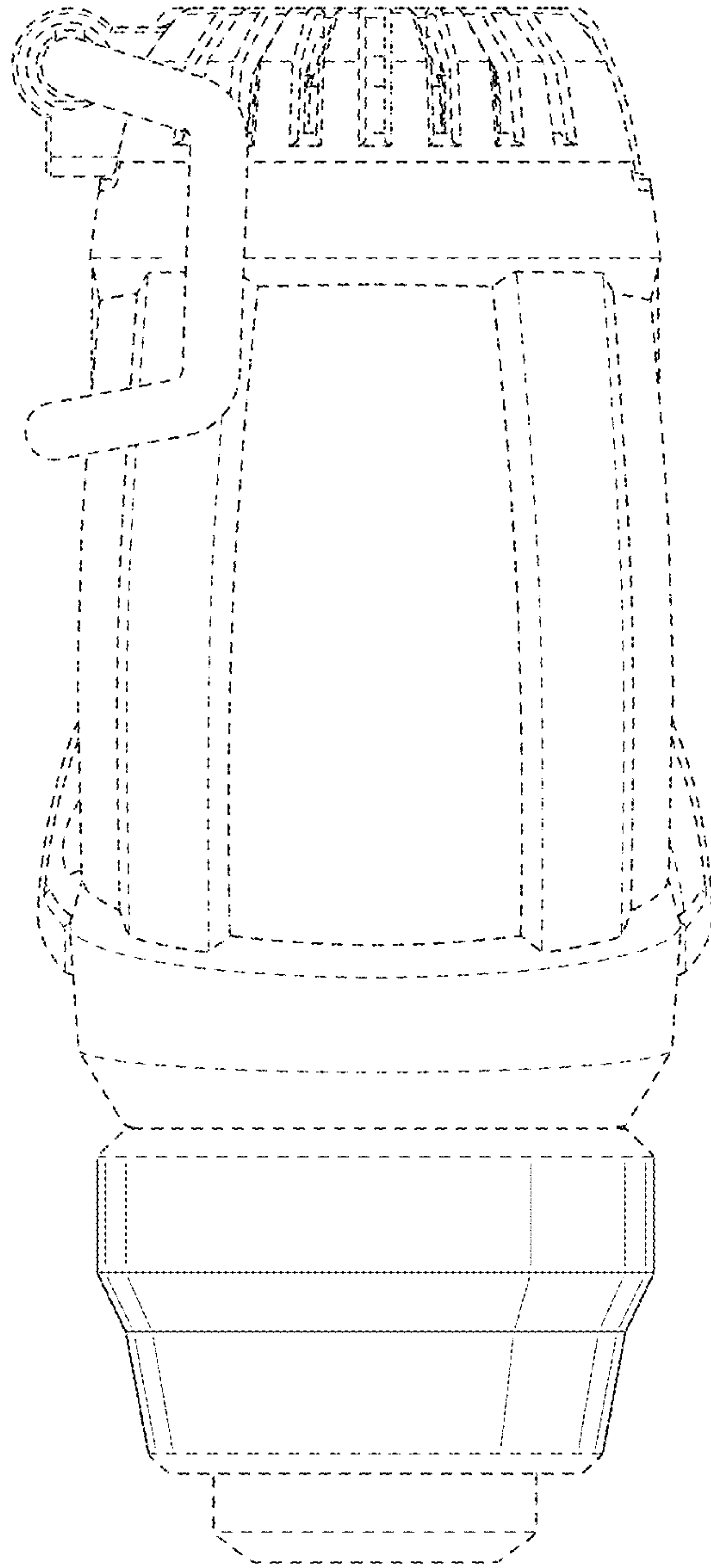


FIG. 7

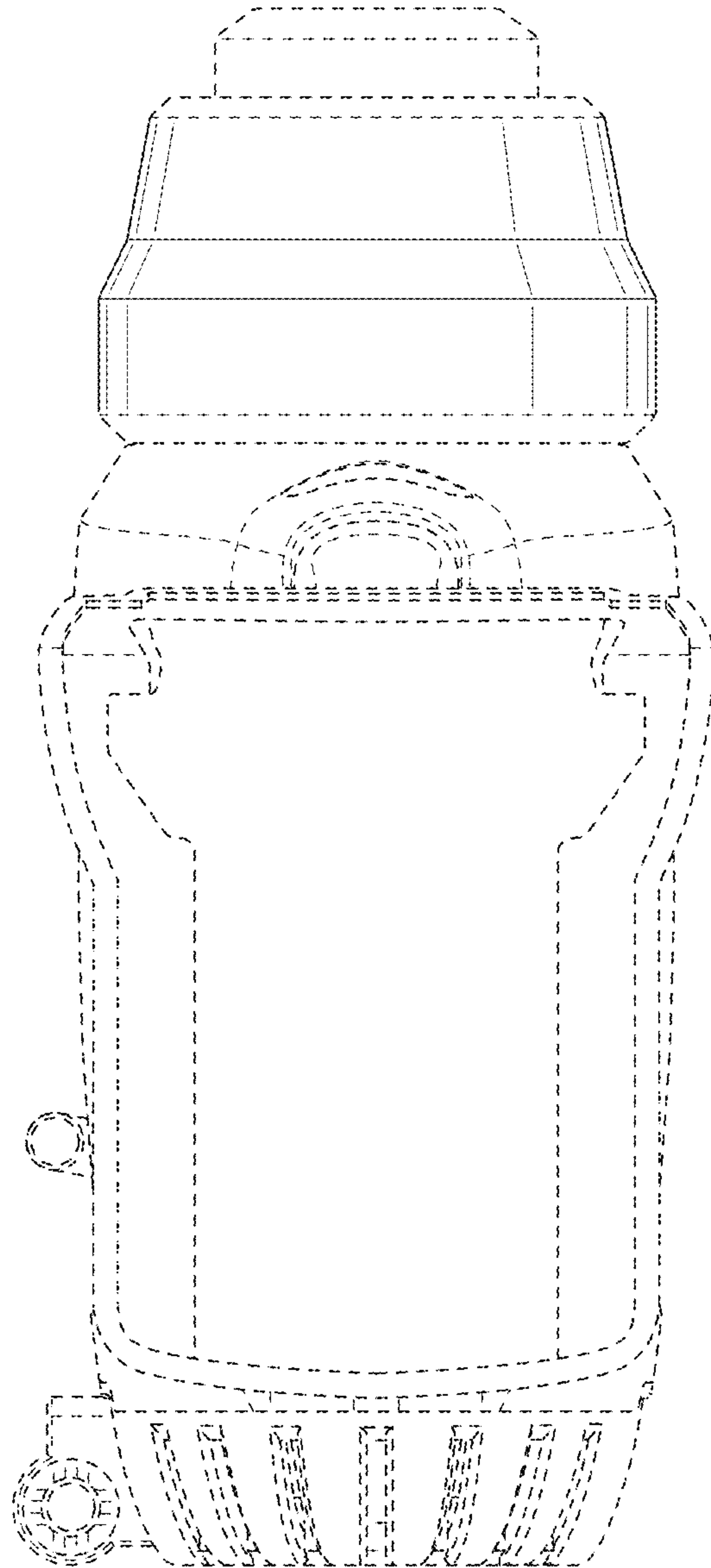


FIG. 8