



US00D835960S

(12) **United States Design Patent**
Koeniger et al.

(10) **Patent No.:** **US D835,960 S**

(45) **Date of Patent:** **** Dec. 18, 2018**

(54) **COMPACT DRILL DRIVER**

(71) Applicant: **Hilti Aktiengesellschaft**, Schaan (LI)

(72) Inventors: **Tobias Koeniger**, Bregenz (AT); **Heiko Aupperle**, Heerbrugg (CH)

(73) Assignee: **Hilti Aktiengesellschaft**, Schaan (LI)

(**) Term: **15 Years**

(21) Appl. No.: **29/593,735**

(22) Filed: **Feb. 13, 2017**

D527,971 S *	9/2006	Kokawa	D8/68
D536,944 S *	2/2007	Tsai	D8/68
D556,002 S *	11/2007	Ino	D8/68
D574,688 S *	8/2008	Yamamoto	D8/68
D628,454 S *	12/2010	Misaki	D8/68
D642,037 S *	7/2011	Miller	D8/68
D646,947 S *	10/2011	Lopano	D8/68
D670,989 S *	11/2012	Kawase	D8/61
D675,500 S *	2/2013	Taniguchi	D8/68
D678,025 S *	3/2013	Naksen	D8/68
D678,744 S *	3/2013	Aoki	D8/68
D679,161 S *	4/2013	Kawase	D8/61
D684,028 S *	6/2013	Costoli	173/90
D685,245 S *	7/2013	Tirone	D8/68
D700,821 S *	3/2014	Tschopp	D8/68

(Continued)

Related U.S. Application Data

(62) Division of application No. 29/518,565, filed on Feb. 25, 2015, now Pat. No. Des. 787,289.

Foreign Application Priority Data

Aug. 28, 2014 (WO) DM/084295

(51) **LOC (11) Cl.** **08-05**

(52) **U.S. Cl.**
USPC **D8/68**

(58) **Field of Classification Search**
USPC D8/61, 67, 68
CPC B62D 23/005; B62D 29/00; B62D 29/043;
B62D 31/00; B62D 33/046; B62D 35/00;
B62D 35/001; B60Q 1/0005
See application file for complete search history.

(56) **References Cited**

U.S. PATENT DOCUMENTS

D466,777 S *	12/2002	Watson	D8/68
D466,779 S *	12/2002	Shibata	D8/68
D466,781 S *	12/2002	Matsuoka	D8/68
D508,643 S *	8/2005	Concari	D8/68
D515,377 S *	2/2006	Chung	D8/68
D525,848 S *	8/2006	Kokawa	D8/68

Primary Examiner — Darlington Ly

(74) *Attorney, Agent, or Firm* — Crowell & Moring LLP

(57) **CLAIM**

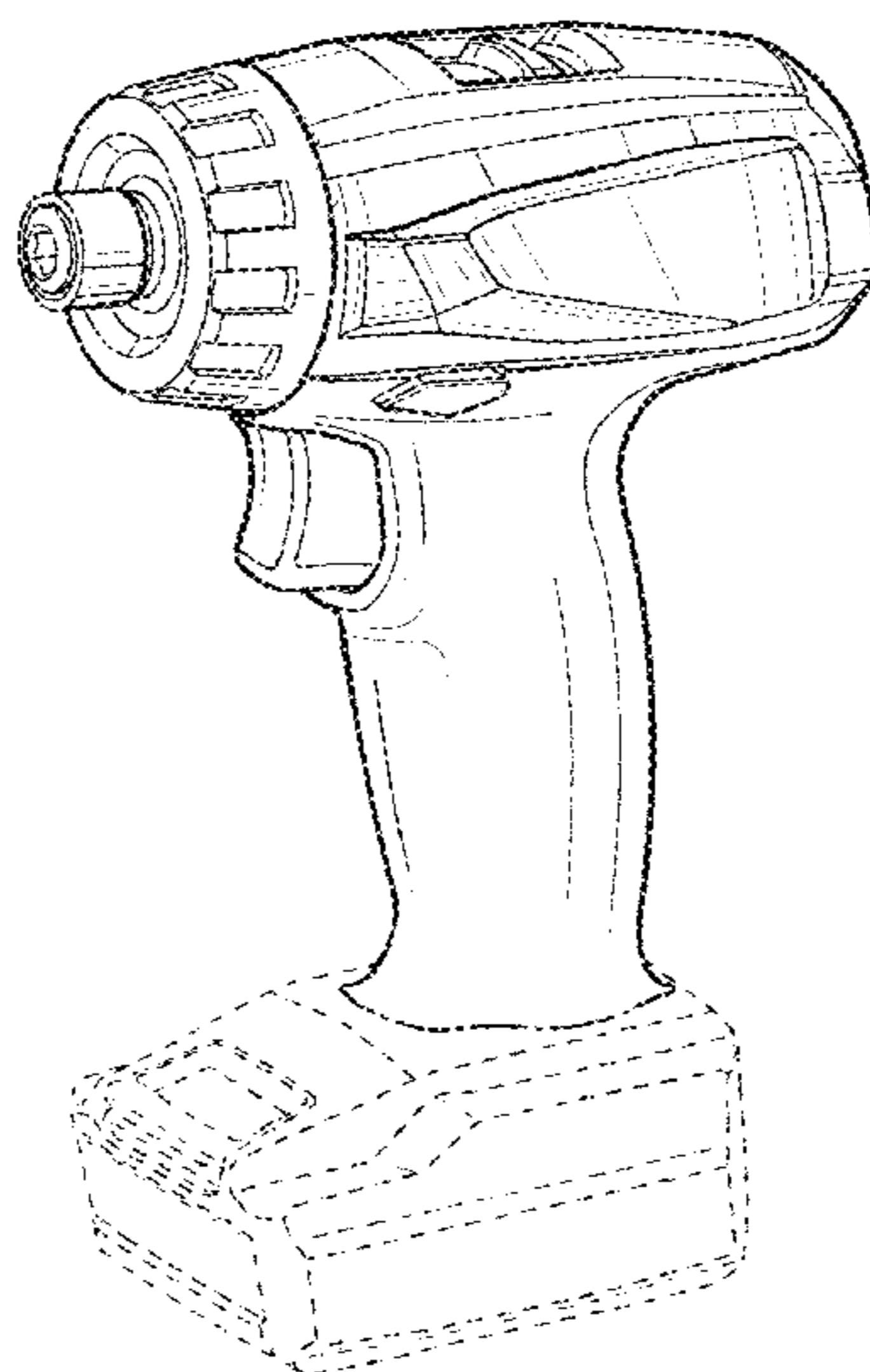
The ornamental design for a compact drill driver, as shown and described.

DESCRIPTION

FIG. 1 is a top, front, and left side perspective view of a compact drill driver showing our new design;
FIG. 2 is a bottom, rear, and right side perspective view thereof;
FIG. 3 is a left side elevation view thereof;
FIG. 4 is a right side elevation view thereof;
FIG. 5 is a front elevation view thereof;
FIG. 6 is a rear elevation view thereof;
FIG. 7 is a top plan view thereof; and,
FIG. 8 is a bottom plan view thereof.

The even broken lines in the drawings illustrate portions of the compact drill driver that form no part of the claimed design. Furthermore, the dash-dot-dash broken lines illustrate boundaries for the claim and also do not form part of the claimed design.

1 Claim, 6 Drawing Sheets



(56)

References Cited

U.S. PATENT DOCUMENTS

D708,496 S * 7/2014 Zhou D8/68
2015/0041164 A1* 2/2015 Sergyeyenko B25L 321/008
173/1

* cited by examiner

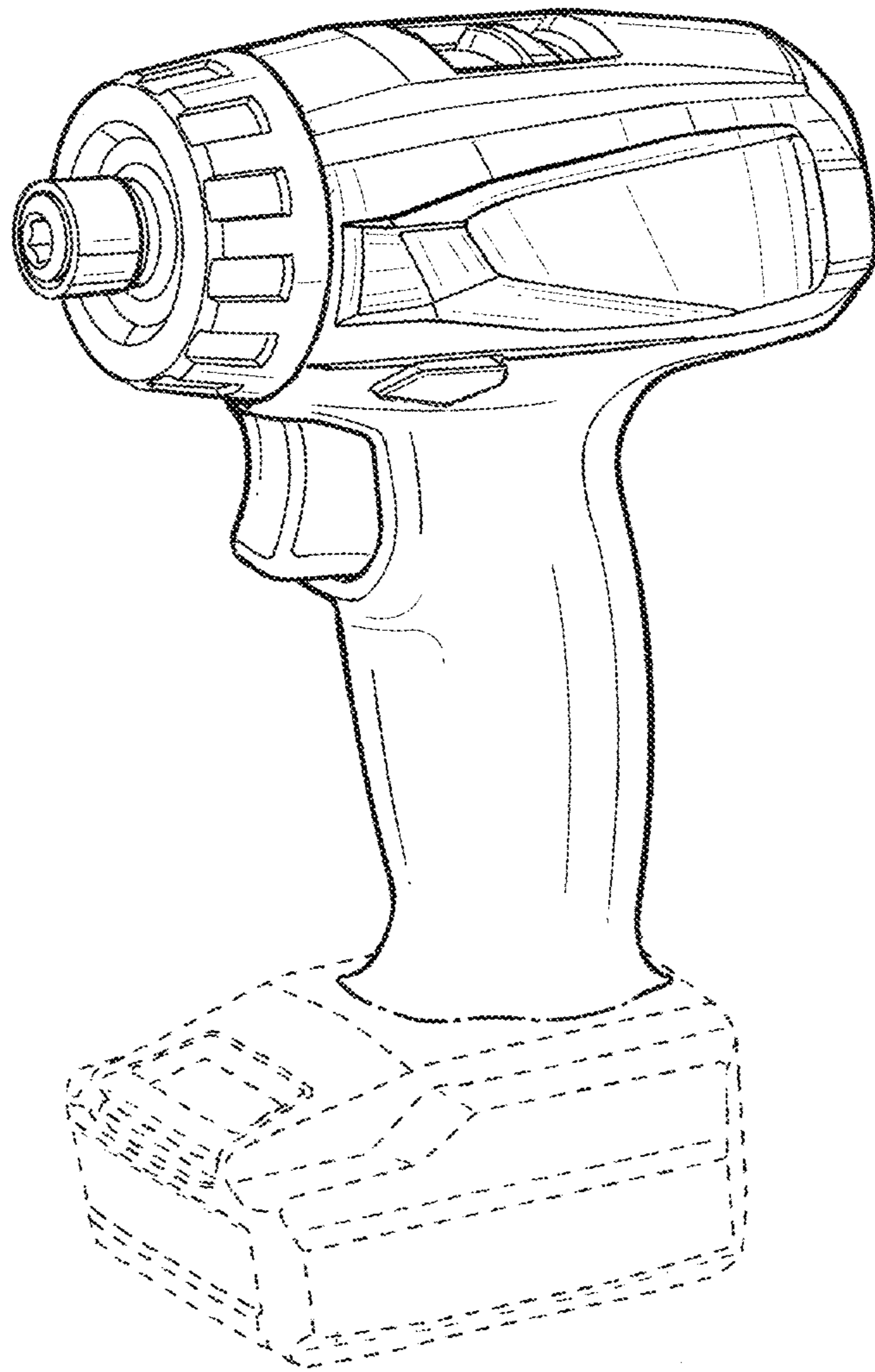


FIG. 1

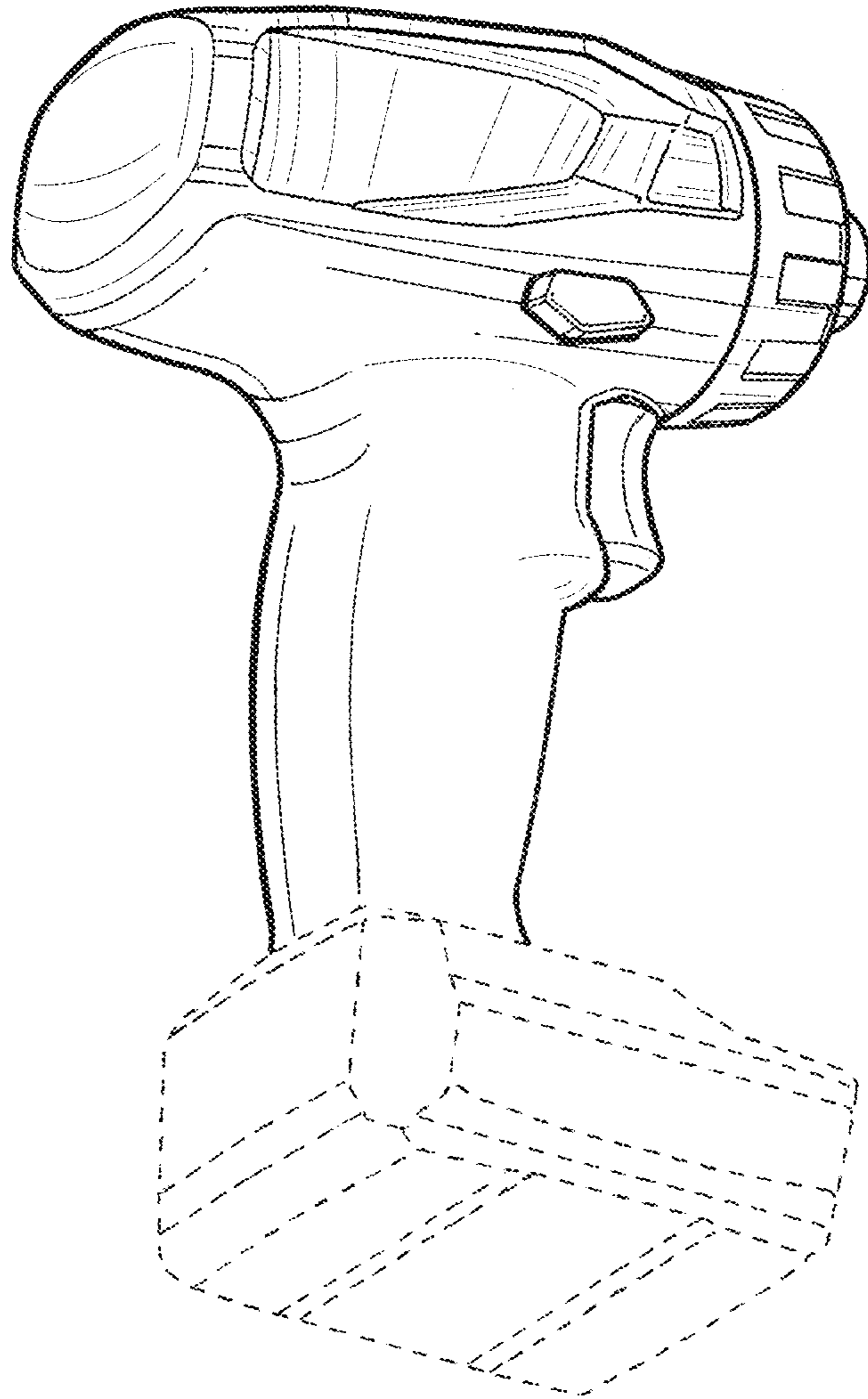


FIG. 2

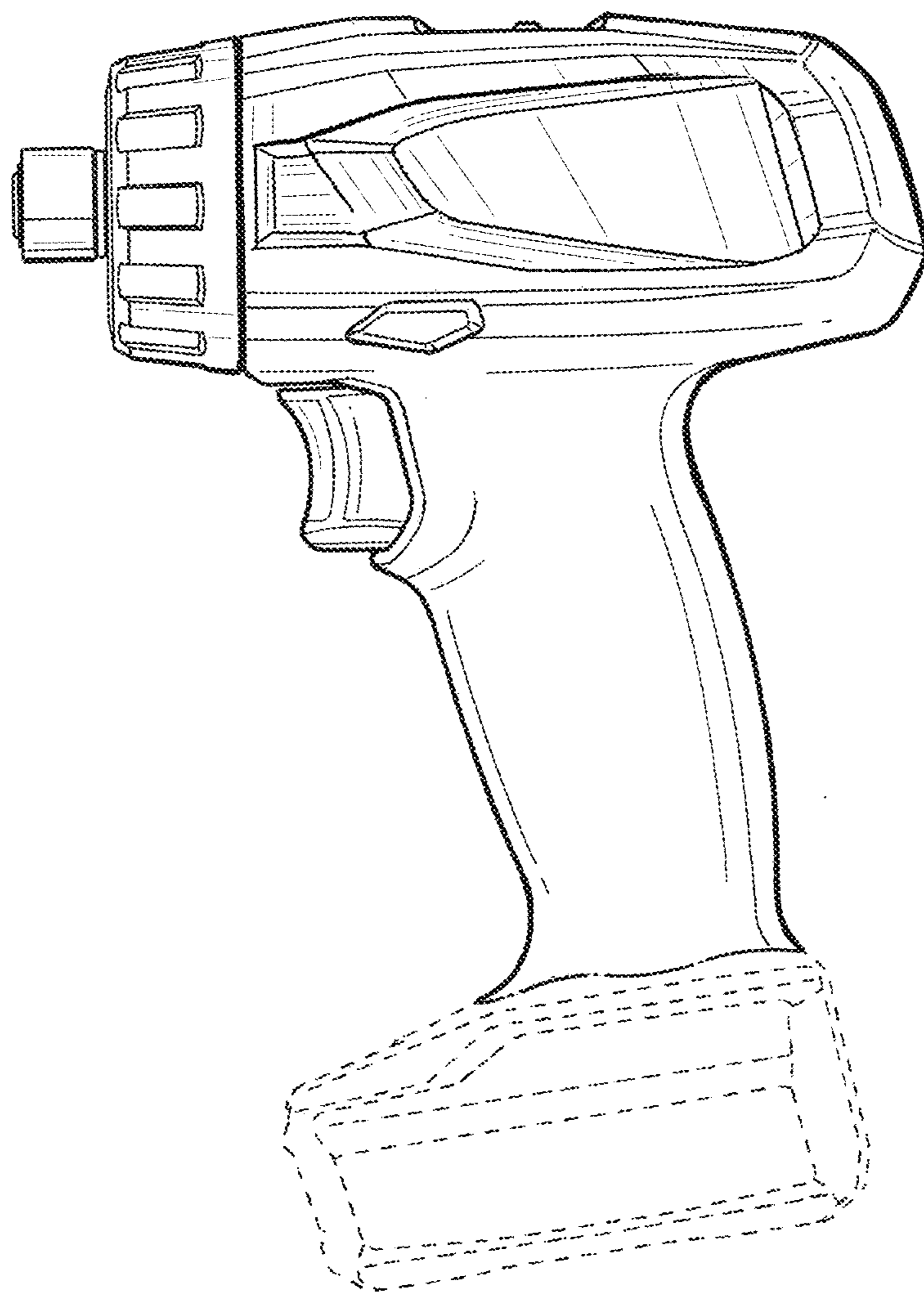


FIG. 3

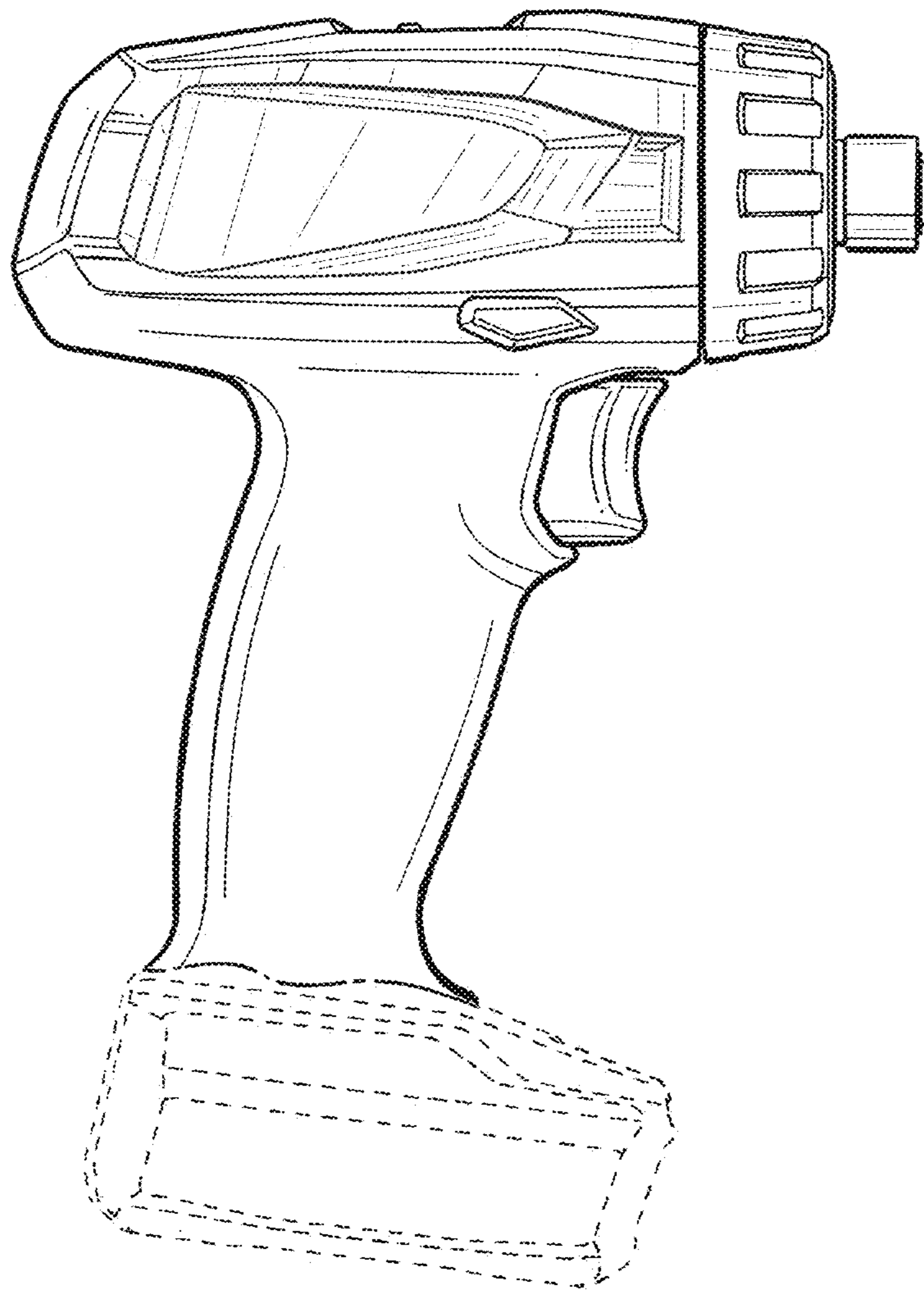


FIG. 4

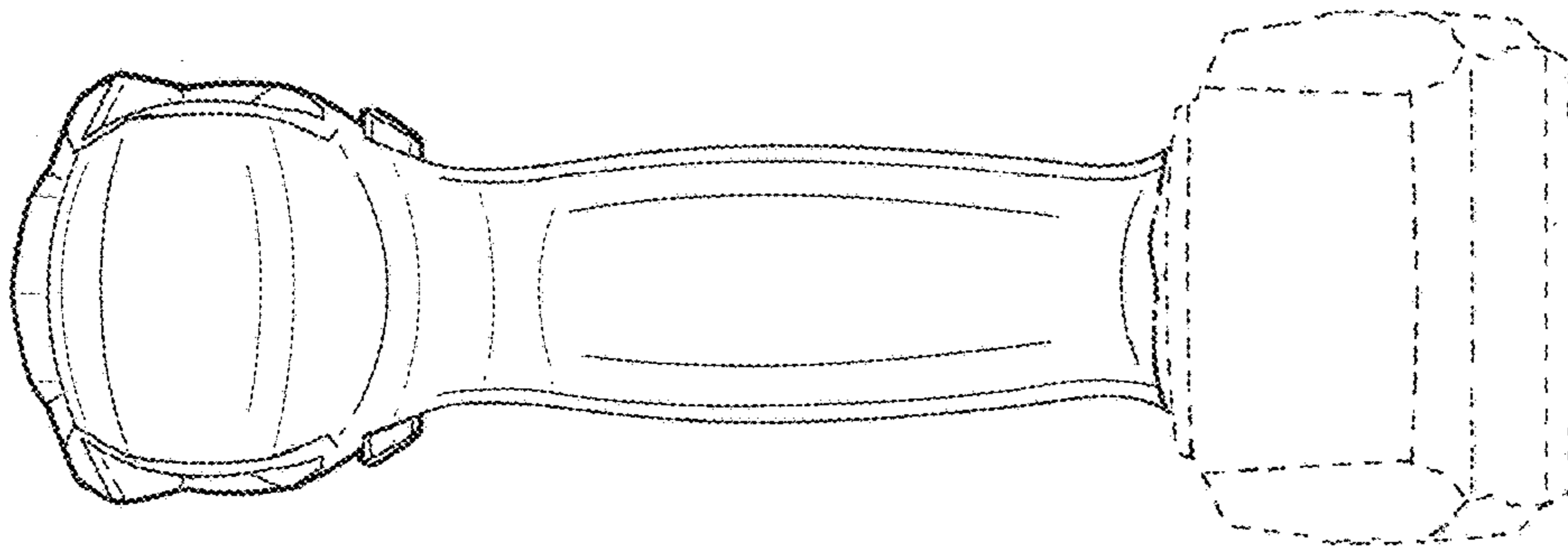


FIG. 6

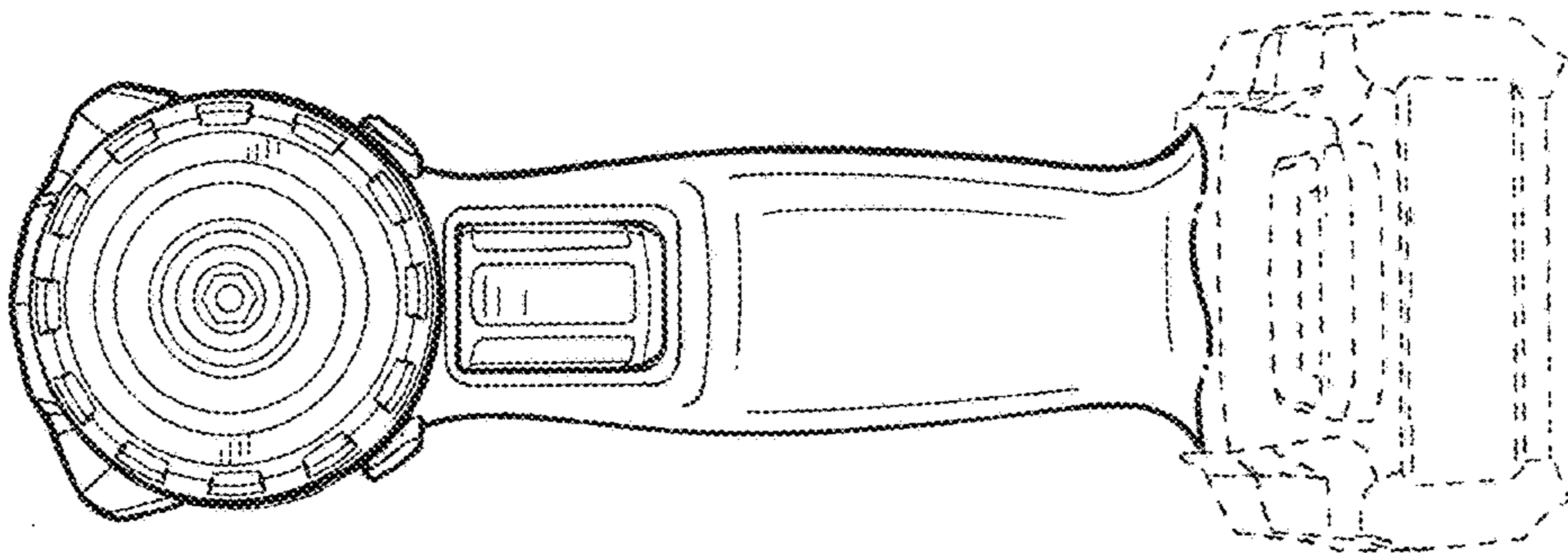


FIG. 5

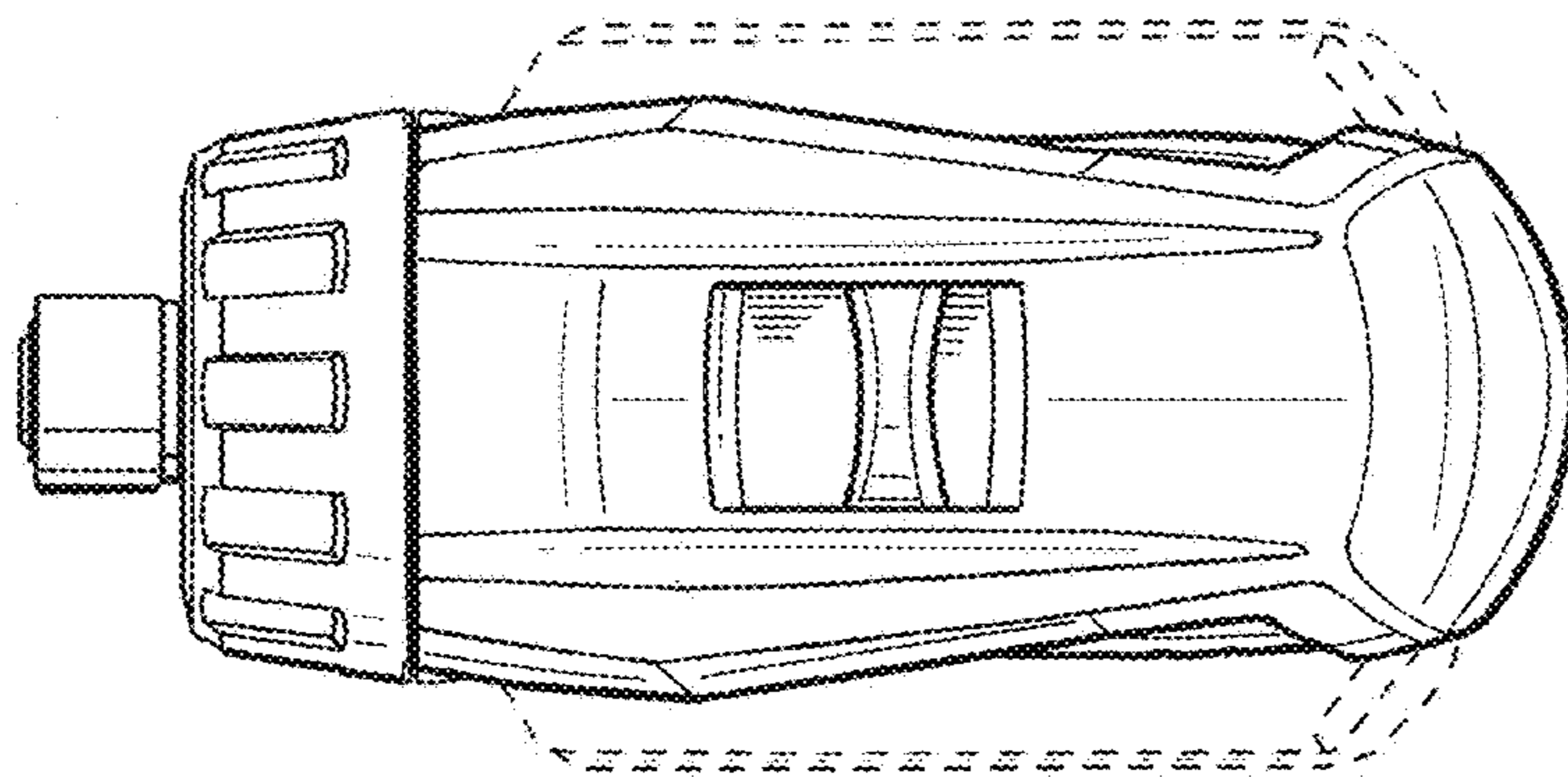


FIG. 7

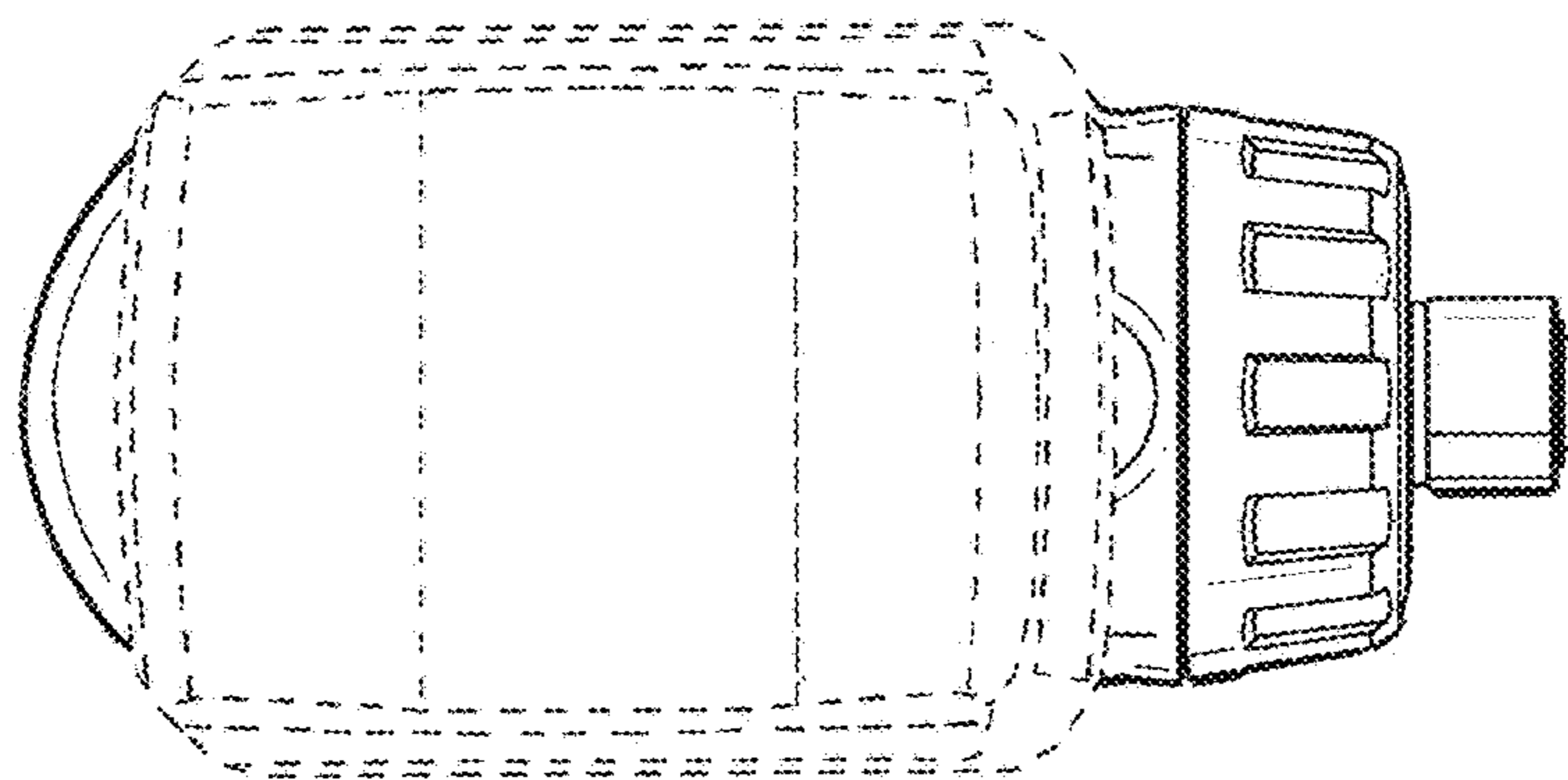


FIG. 8